

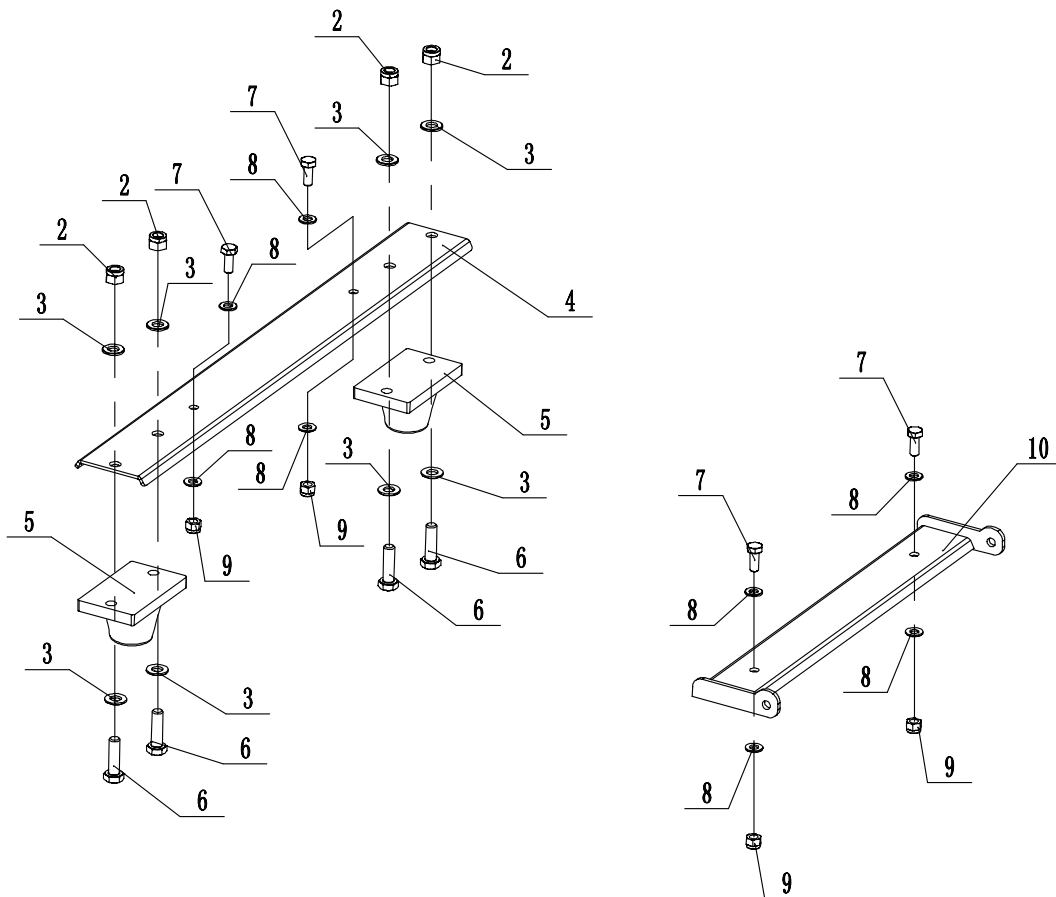
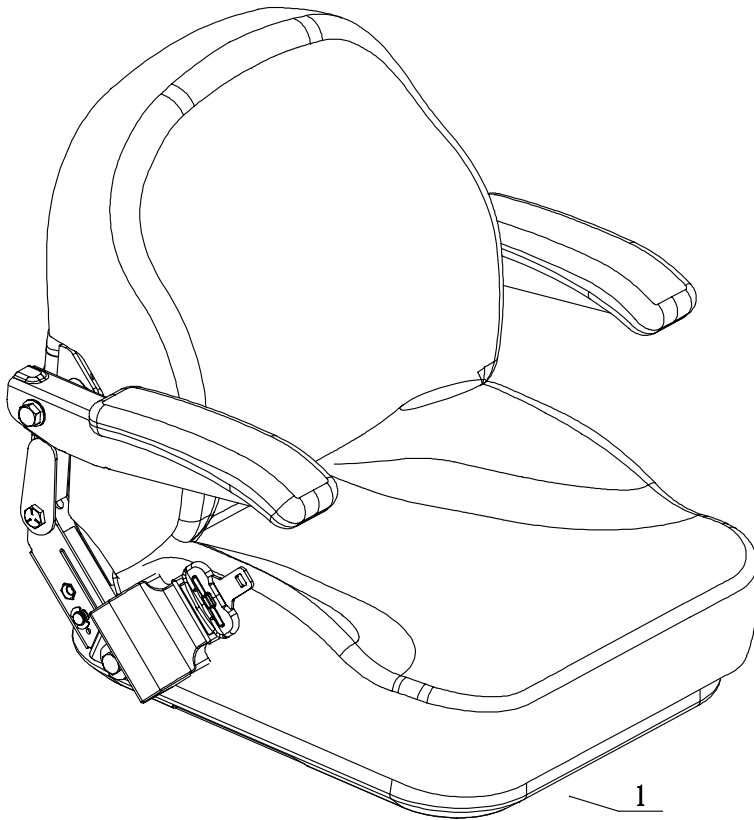
CAIMAN

Газонокосильная машина **ZERO 114i**



CAIMAN

Chair Part



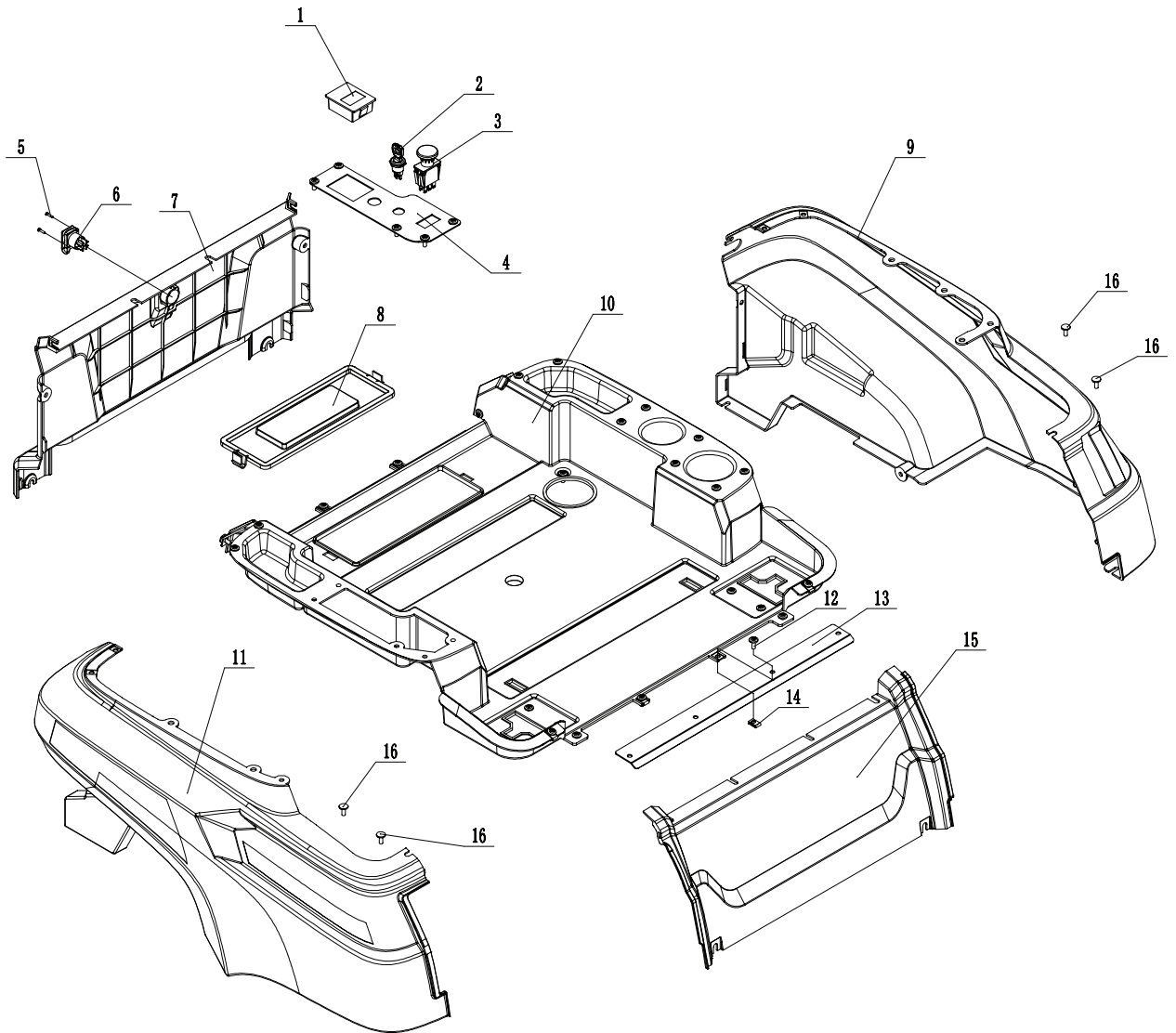
CAIMAN

Chair Part

N°	Description	Part Number	Qty (UOM)
1	Seat	ZT107-0001	1
2	Lock Bolt - M10	U537-00111	4
3	Washer - 10x2	U455-00029	8
4	Seat mounting plate	ZT107-0002	1
5	Shock absorber	UZT85-00239	2
6	Screw - M10x30	ZT107-0003	4
7	Bolt - M10x20	U537-00060	4
8	Washer - 8x1.6	U455-00061	8
9	Lock Nut - M8	U455-00007	4
10	Seat mounting plate	ZT107-0004	1

CAIMAN

Shell part



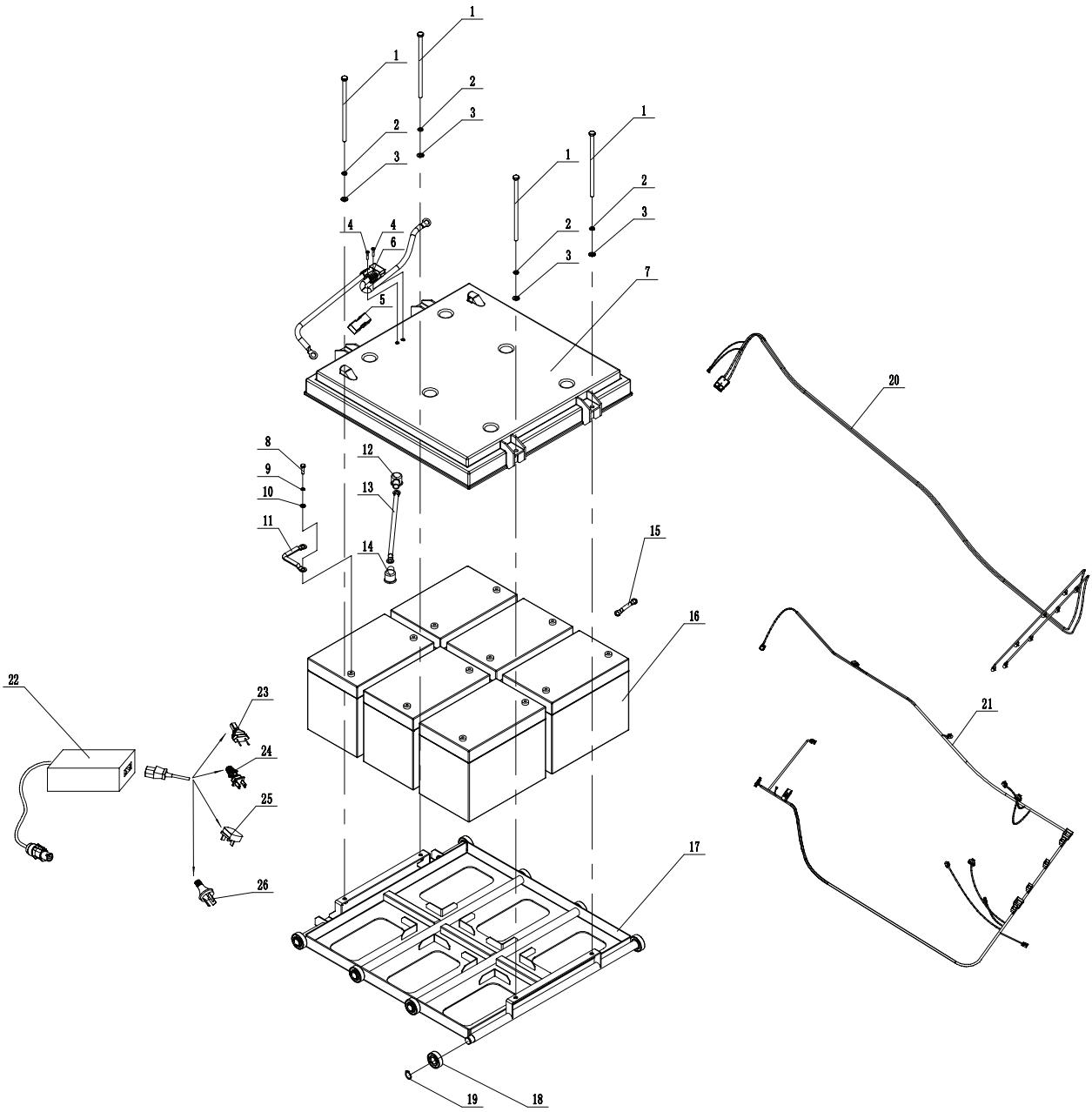
CAIMAN

Shell part

N°	Description	Part Number	Qty (UOM)
1	Display screen	ZT107-0005	1
2	Key switch	UR760-00058	1
3	Knife switch	UZT85-00154	1
4	Control panel	ZT107-0006	1
5	Screw	ZT107-0007	2
6	Power outlet	ZT107-0008	1
7	Rear cover	ZT107-0009	1
8	Upper guard cover	ZT107-0010	1
9	Left cover	ZT107-0011	1
10	Upper cover	ZT107-0012	1
11	Right cover	ZT107-0013	1
12	Screw	ZT107-0014	52
13	Shell layering	ZT107-0015	1
14	Nut - M6	ZT107-0016	15
15	Front cover	ZT107-0017	1
16	Rivet	ZT107-0018	4

CAIMAN

Engine Part



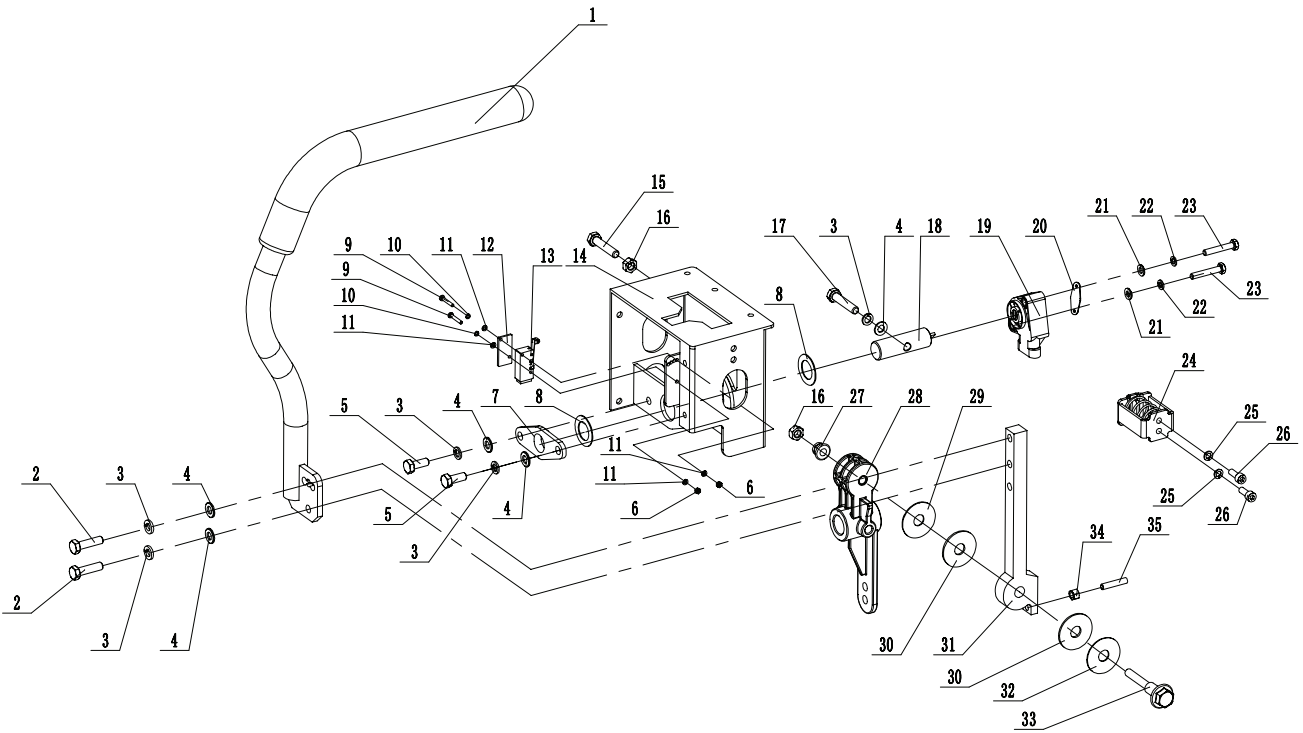
CAIMAN

Engine Part

N°	Description	Part Number	Qty (UOM)
1	Bolt - M8x180	ZT107-0019	4
2	Spring Washer - 8x2.1	U455-00053	4
3	Washer - 8x1.6	U455-00061	4
4	Screw	UR760-00038	2
5	Fuse	ZT107-0020	1
6	Connector	ZT107-0021	1
7	Battery cover	ZT107-0022	1
8	Bolt - M6x20	UG700-00055	12
9	Spring Washer - 6x1.6	UG700-00056	12
10	Washer - 6x1.6	U455-00054	12
11	Wire harness	ZT107-0023	1
12	Positive sheath	ZT107-0024	6
13	Wire harness	ZT107-0025	4
14	Negative sheath	ZT107-0026	6
15	Wire harness	ZT107-0027	1
16	Battery	ZT107-0028	6
17	Battery tray	ZT107-0029	1
18	Bearing	UA516-00001	8
19	Check Ring For Shaft	U506-00021	8
20	Wire harness	ZT107-0030	1
21	Wire harness	ZT107-0031	1
22	Charger	ZT107-0032	1
23	European standard charging cable	ZT107-0033	1
24	American standard charging cable	ZT107-0034	1
25	British standard charging cable	ZT107-0035	1
26	Australian standard charging cable	ZT107-0036	1

CAIMAN

Left handle part



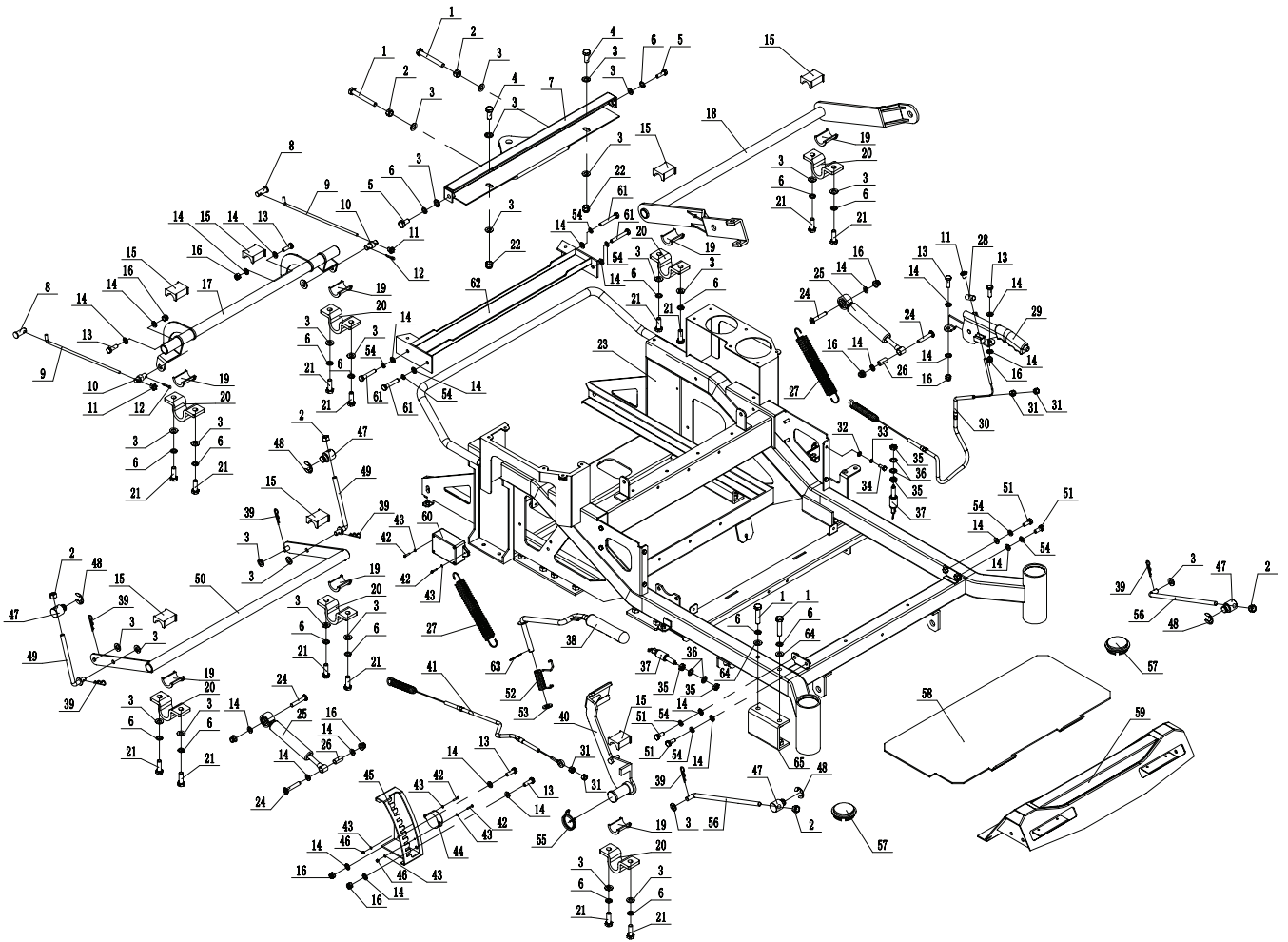
CAIMAN

Left handle part

N°	Description	Part Number	Qty (UOM)
1	Left handle	ZT107-0037	1
2	Bolt - M8x25	UG806-00029	2
3	Spring Washer - 8x2.4	UR420-00008	5
4	Washer - 8x1.6	U455-00061	5
5	Bolt - M8x25	UG806-00029	2
6	Nut - M3	UR200-00079	2
7	Shaft presser	ZT107-0038	1
8	Damping pad	ZT107-0039	2
9	Screw - M3x20	UV160-00024	2
10	Spring Washer - 3x0.6	UR200-00080	2
11	Washer - 3x0.5	UV160-00036	4
12	Pressure plate	ZT107-0040	1
13	Switch	ZT107-0041	1
14	Mounting plate	ZT107-0042	1
15	Bolt - M8x55	UG390-00064	1
16	Nut - M8	UG700-00022	2
17	Bolt - M8x55	UG390-00064	1
18	Shaft	ZT107-0043	1
19	Electronic throttle	ZT107-0044	1
20	Mounting plate	ZT107-0045	1
21	Washer - 4x0.5	UZT85-00135	2
22	Spring Washer - 4x1.1	ZT107-0046	4
23	Bolt - M5x35	ZT107-0047	2
24	Handle return	ZT107-0048	1
25	Spring Washer - 6x1.3	UG700-00056	2
26	Bolt - M6x16	ZT107-0049	2
27	Lock Nut - M8	ZT107-0050	1
28	Hinge	ZT107-0051	1
29	Damping pad	ZT107-0052	1
30	Gasket	ZT107-0053	2
31	Connector	ZT107-0054	1
32	Dish Washer	ZT107-0055	1
33	Bolt	ZT107-0056	1
34	Nut - M6	UG700-00132	1
35	Bolt - M6x35	UR390-00084	1

CAIMAN

Frame



CAIMAN

Frame

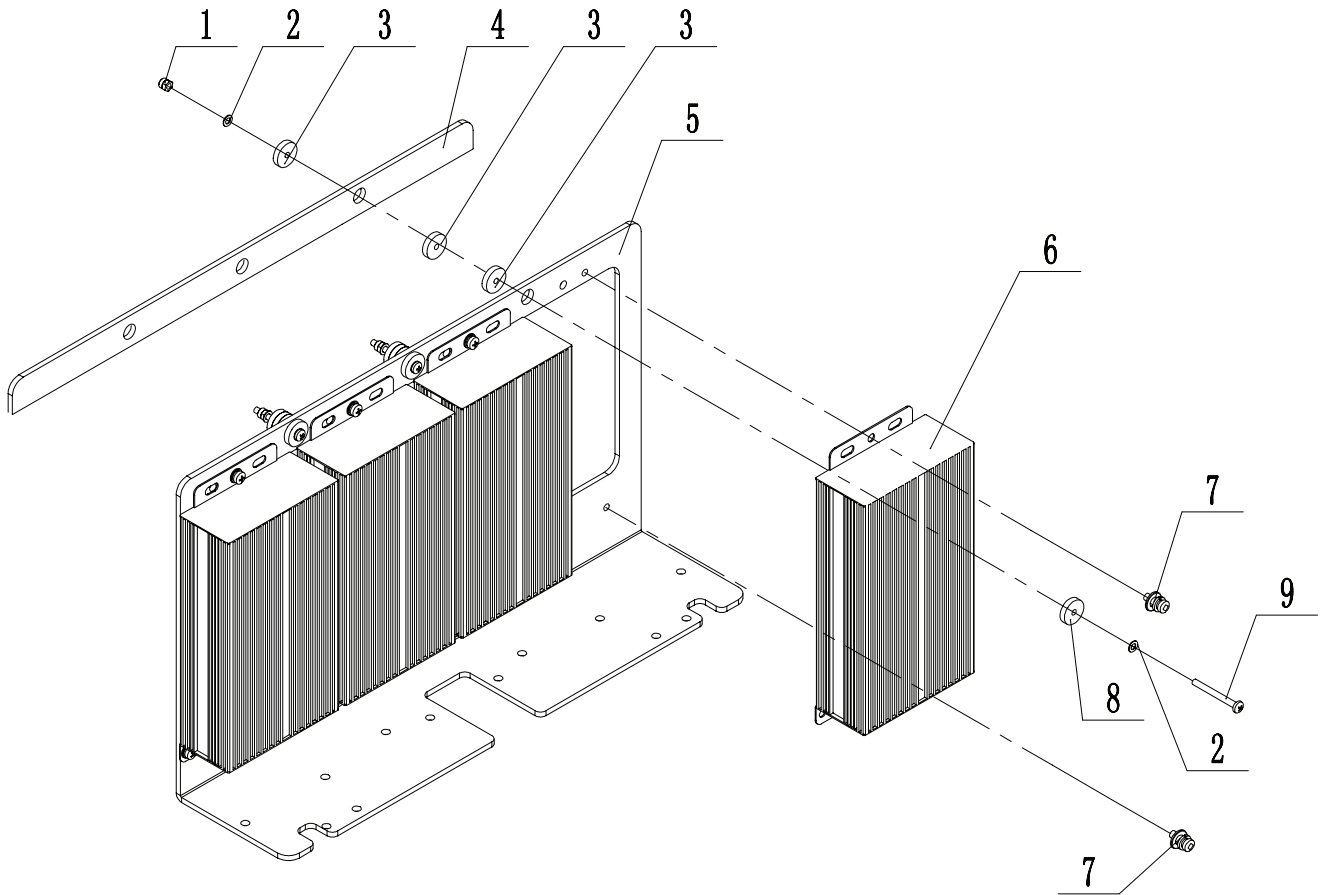
N°	Description	Part Number	Qty (UOM)
1	Bolt - M10x80	UA516-00037	4
2	Nut - M10	UG806-00061	6
3	Washer - M10	UG700-00100	26
4	Bolt - M10x25	UG806-00032	2
5	Bolt - M10x20	UR200-00067	2
6	Spring Washer - 10x2.6	UR200-00070	18
7	Seal plate	ZT107-0057	1
8	Pin	ZT107-0058	2
9	Connecting Rod	ZT107-0059	2
10	Pin	ZT107-0060	2
11	Nut	UR760-00138	3
12	Pin	ZT107-0061	2
13	Bolt - M8x20	U537-00060	6
14	Washer - 8x1.6	U455-00061	28
15	Nylon Bush	UZT85-00078	7
16	Lock Nut - M8	U455-00007	14
17	Shaft	ZT107-0062	1
18	connecting rod	ZT107-0063	1
19	Nylon Bush	UZT85-00076	7
20	Steady	ZT107-0064	7
21	Bolt - M10x35	UG390-00011	14
22	Lock Bolt - M10	U537-00111	2
23	Frame	ZT107-0065	1
24	Bolt - M8x45	ZT107-0066	4
25	Damper	ZT107-0067	2
26	Casing	ZT107-0068	2
27	Spring	ZT107-0069	2
28	Shaft	UR760-00137	1
29	Handle	ZT107-0070	1
30	Brake cable	ZT107-0071	1
31	Bolt - M8	UG700-00022	8
32	Washer - 6x1.6	U455-00054	8
33	Spring Washer - 6x1.6	UG700-00056	8
34	Bolt - M6x20	UG700-00055	8
35	Nut - M10	ZT107-0072	4
36	Washer	ZT107-0073	4

CAIMAN

N°	Description	Part Number	Qty (UOM)
37	Brake switch	ZT107-0074	2
38	Handle	ZT107-0075	1
39	Pin - 2.8x50	ZT107-0076	7
40	Foot brake pedal	ZT107-0077	1
41	Brake cable	ZT107-0078	1
42	Screw - M3x16	UV160-00035	4
43	Washer - 3x0.5	UV160-00036	4
44	Speaker	ZT107-0079	1
45	Index plate	ZT107-0080	1
46	Lock Nut - M3	UV160-00037	2
47	Pin	ZT107-0081	4
48	E-Clip - M15	ZT107-0082	4
49	Pull hook	ZT107-0083	2
50	Connecting rod	ZT107-0084	1
51	Bolt - M8x25	UG806-00029	4
52	Spring	ZT107-0085	1
53	Washer - 12x2.5	ZT107-0086	1
54	Spring Washer - 8x2.4	UR420-00008	8
55	Spring	ZT107-0087	1
56	Hanging rod	ZT107-0088	2
57	Dust cover	UT160-00062	2
58	Pedal	ZT107-0089	1
59	Pedal	ZT107-0090	1
60	Power	ZT107-0091	1
61	Bolt - M8x60	UT160-00046	4
62	Support beam	ZT107-0092	1
63	Pin - 3.2x20	ZT107-0093	1
64	Washer - 10x2.5	ZT107-0094	4
65	Mounting seat	ZT107-0095	1

CAIMAN

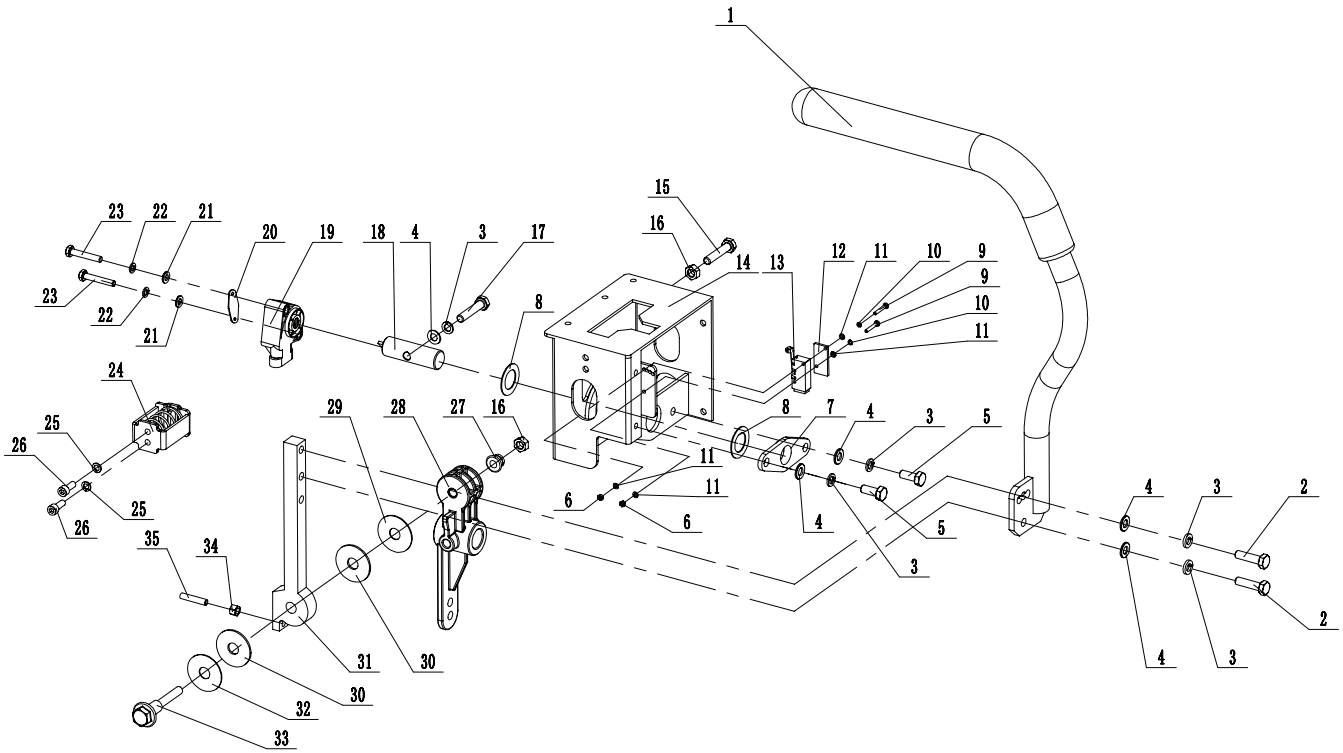
Controller



N°	Description	Part Number	Qty (UOM)
1	Lock Nut - M4	UR760-00041	6
2	Washer - 4x0.5	UZT85-00135	12
3	Insulation pad	UR760-00040	18
4	Pad	ZT107-0096	1
5	Mounting plate	ZT107-0097	1
6	Controller	ZT107-0098	4
7	Screw - M5x12	ZT107-0099	8
8	Septum	UR760-00039	6
9	Screw - M4x40	ZT107-0100	6

CAIMAN

Right handle part



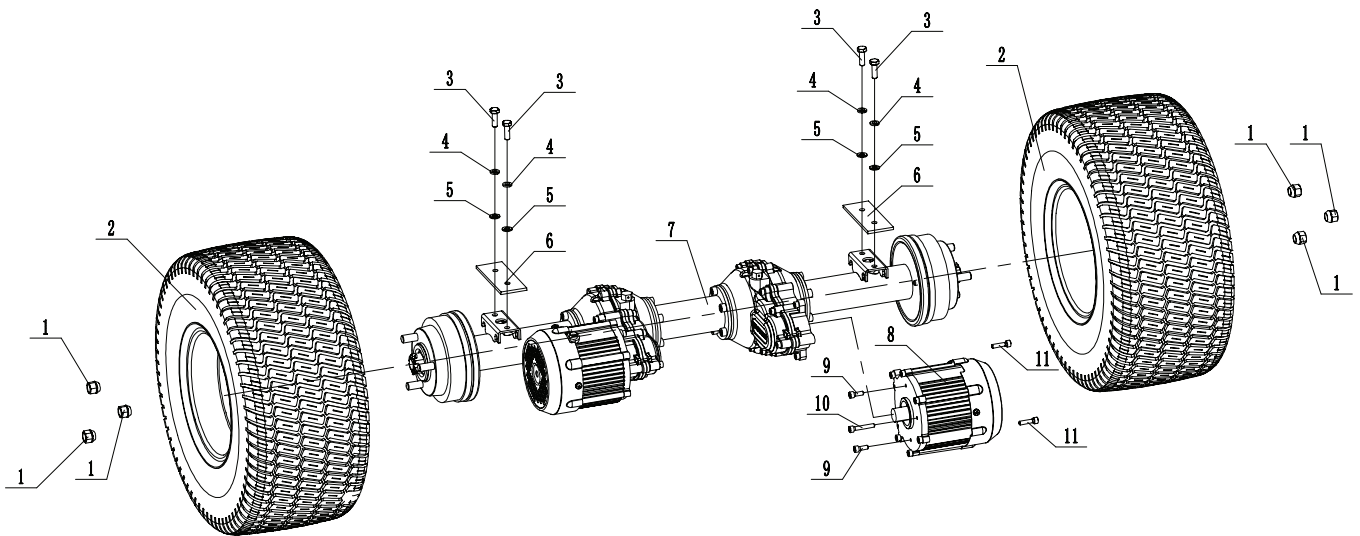
CAIMAN

Right handle part

N°	Description	Part Number	Qty (UOM)
1	Right handle	ZT107-0101	1
2	Bolt - M8x25	UG806-00029	2
3	Spring Washer - 8x2.4	UR420-00008	5
4	Washer - 8x1.6	U455-00061	5
5	Bolt - M8x25	UG806-00029	2
6	Nut - M3	UR200-00079	2
7	Pressure plate	ZT107-0102	1
8	Damping pad	ZT107-0039	2
9	Screw - M3x20	UV160-00024	2
10	Spring Washer - 3x0.6	UR200-00080	2
11	Washer - 3x0.5	UV160-00036	4
12	Pressure plate	ZT107-0104	1
13	Switch	ZT107-0041	1
14	Mounting plate	ZT107-0106	1
15	Bolt - M8x55	UG390-00064	1
16	Nut - M8	UG700-00022	2
17	Bolt - M8x55	UG390-00064	1
18	Shaft	ZT107-0107	1
19	Electronic throttle	ZT107-0044	1
20	Mounting plate	ZT107-0109	1
21	Washer - 4x0.5	UZT85-00135	2
22	Spring Washer - 4x1.1	ZT107-0046	2
23	Bolt - M5x35	ZT107-0047	2
24	Handle return	ZT107-0112	1
25	Spring Washer - 6x1.3	UG700-00056	2
26	Bolt - M6x16	UG700-00138	2
27	Lock Nut - M8	ZT107-0050	1
28	Hinge	ZT107-0051	1
29	Damping pad	ZT107-0052	1
30	Gasket	ZT107-0116	2
31	Connector	ZT107-0117	1
32	Dish Washer	ZT107-0118	1
33	Bolt	ZT107-0119	1
34	Nut - M6	UG700-00132	1
35	Bolt - M6x35	UR390-00084	1

CAIMAN

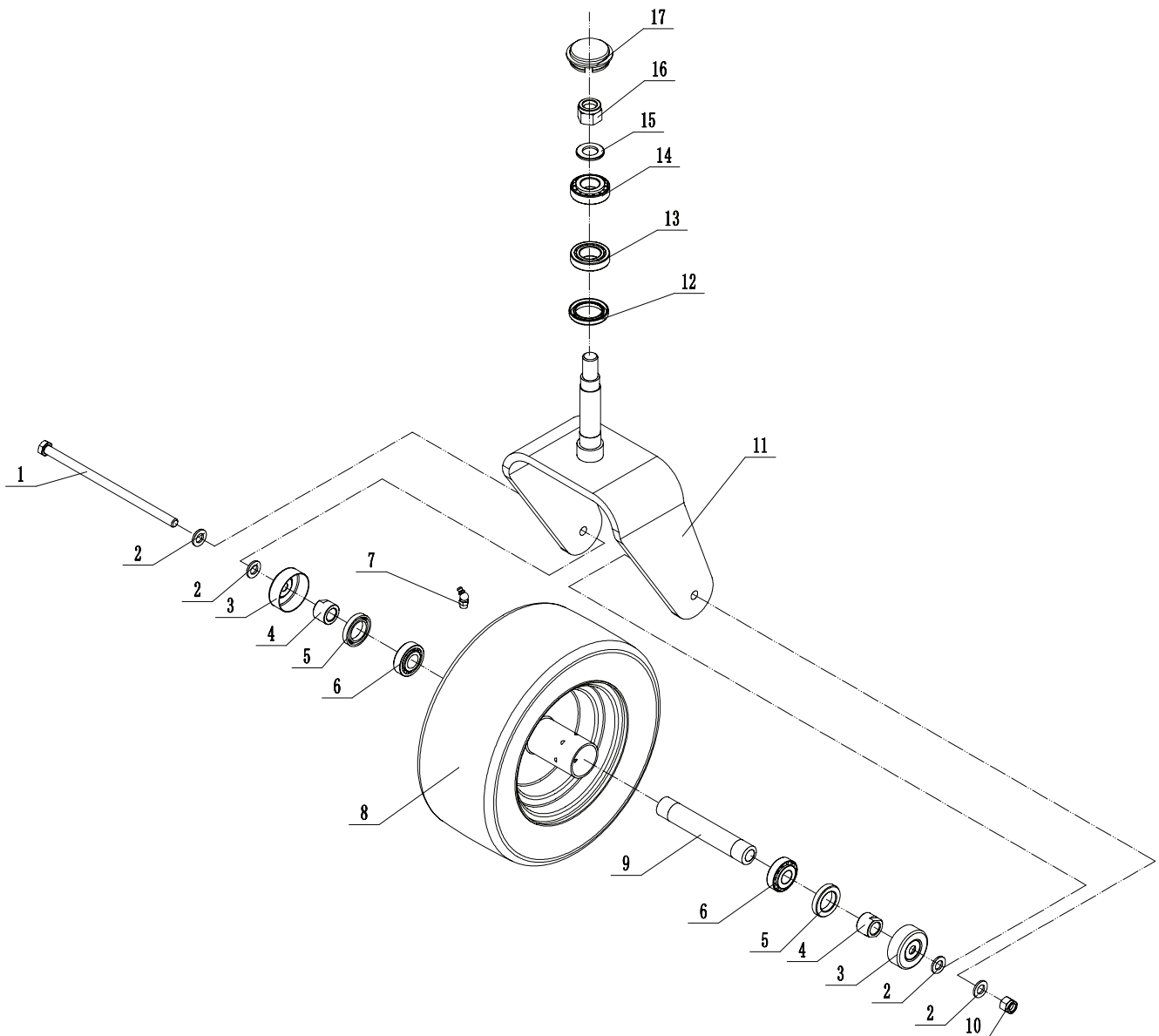
Rear Wheel



N°	Description	Part Number	Qty (UOM)
1	Nut - M12	UR760-00139	6
2	Rear wheel	ZT107-0120	2
3	Bolt - M8x35	U537-00023	4
4	Spring Washer - 8x2.4	UR420-00008	4
5	Washer - 8x1.6	U455-00061	4
6	Pad	ZT107-0121	2
7	Rear Transmission Assembly	ZT107-0122	1
8	Motor	ZT107-0123	2
9	Screw - M6*25	UAE55-00089	4
10	Screw - M6*80	ZT107-0124	2
11	Screw - M6*40	ZT107-0125	4

CAIMAN

Front wheel



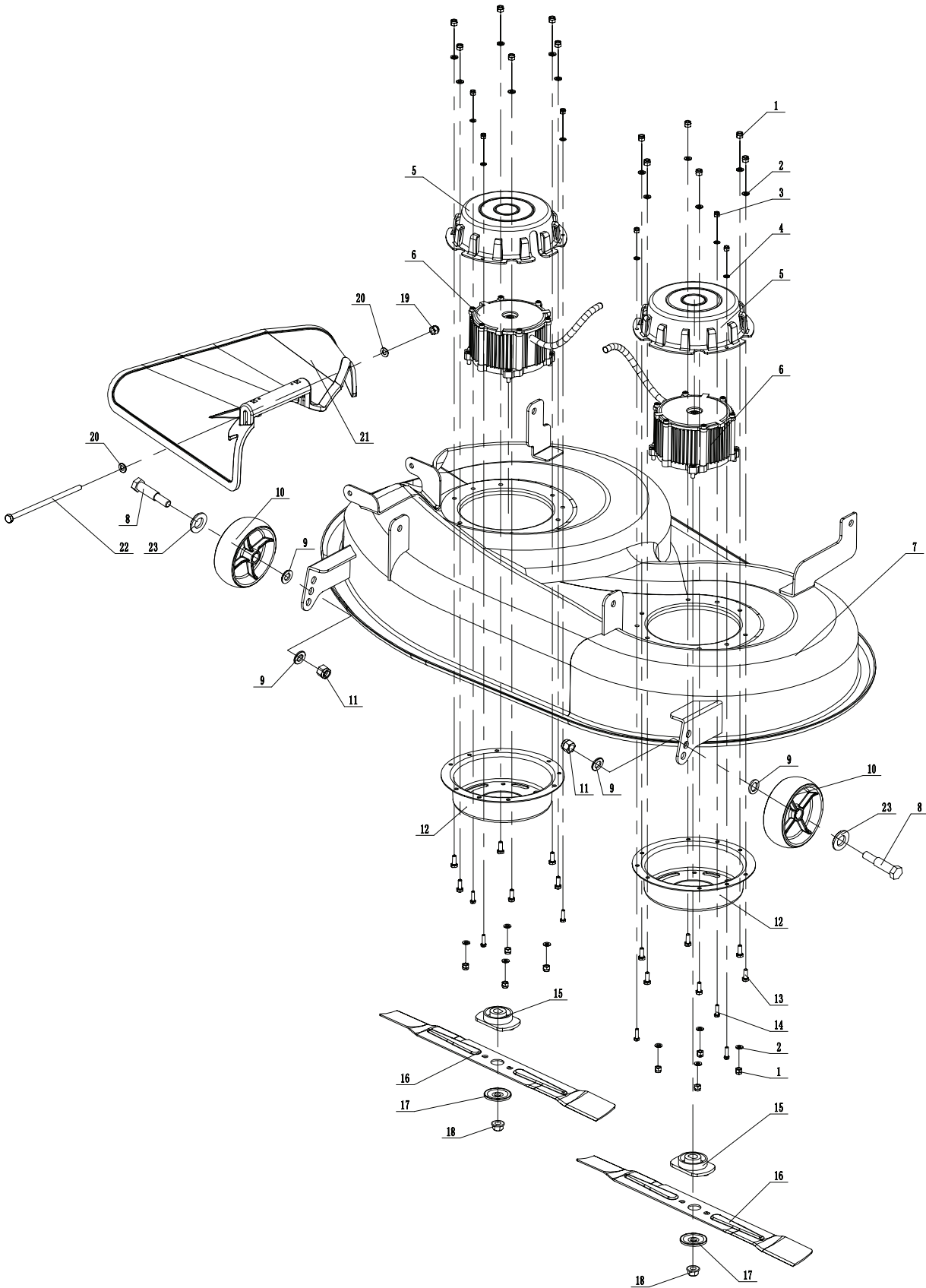
CAIMAN

Front wheel

N°	Description	Part Number	Qty (UOM)
1	Bolt - M12x180	US270-00023	2
2	Washer - ϕ 12	UR200-00074	8
3	Sheath of wheel	ZT107-0126	4
4	Cap	ZT107-0127	4
5	Oil seal	UZT85-00094	4
6	Bearing	ZT107-0128	4
7	Zerk M8x1	UZT85-00022	2
8	Front wheel	ZT107-0129	2
9	Inner shaft sheath of front wheel	ZT107-0130	2
10	Lock Nut - M12	UR200-00076	2
11	Front wheel bracket	ZT107-0131	2
12	Seal ring	UZT85-00100	2
13	Bearing	ZT107-0132	1
14	Bearing	UT160-00068	1
15	Washer	UT160-00067	2
16	Lock nut - M20	UT160-00050	2
17	Cap	UT160-00062	2

CAIMAN

Blade disc



CAIMAN

Blade disc

N°	Description	Part Number	Qty (UOM)
1	Lock Nut - M6	U455-00013	20
2	Washer - 6x1.6	U455-00054	20
3	Lock Nut - M5	U455-00006	6
4	Washer - 5x1.6	U506-00049	6
5	Engine cover	ZT107-0133	2
6	Engine	ZT107-0134	2
7	Blade Disc	ZT107-0135	1
8	Wheel shaft	ZT107-0136	2
9	Washer - 12x2.5	UR200-00074	4
10	Scroll wheel	ZT107-0137	2
11	Lock Nut - M12	UR200-00076	2
12	Engine base	UR810-00115	2
13	Bolt - M6x16	UG700-00138	12
14	Bolt - M5x16	UG806-00023	6
15	Adapter	UR760-00100	2
16	Blade	ZT107-0138	2
17	Dish Washer	U455-00049	2
18	Lock Nut - M10	UT160-00022	2
19	Lock Nut - M8	U455-00007	1
20	Washer - 8x1.6	U455-00061	2
21	Deflector	ZT107-0139	1
22	Bolt - M8x170	ZT107-0140	1
23	Washer	ZT107-0141	2