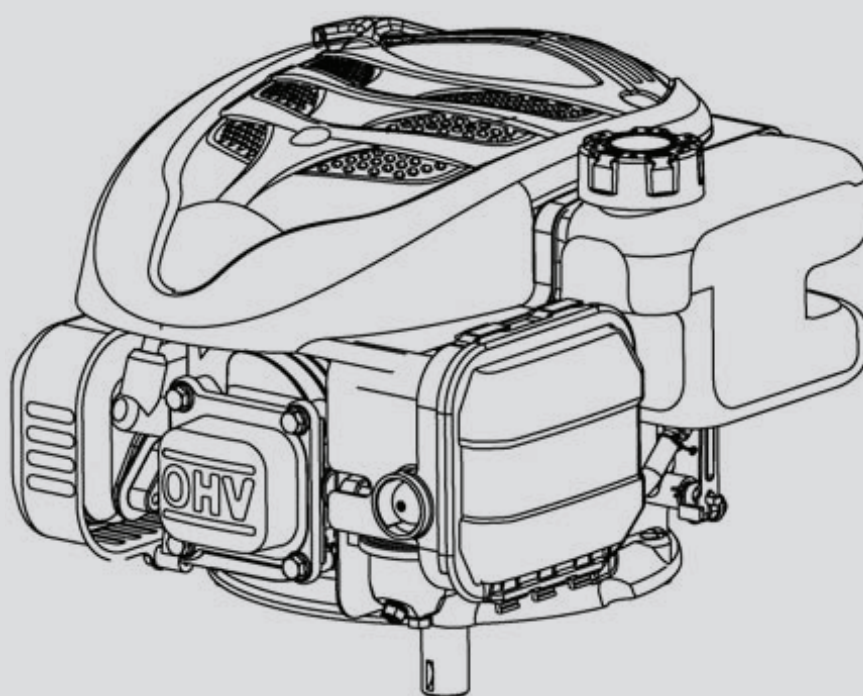


**CAIMAN**



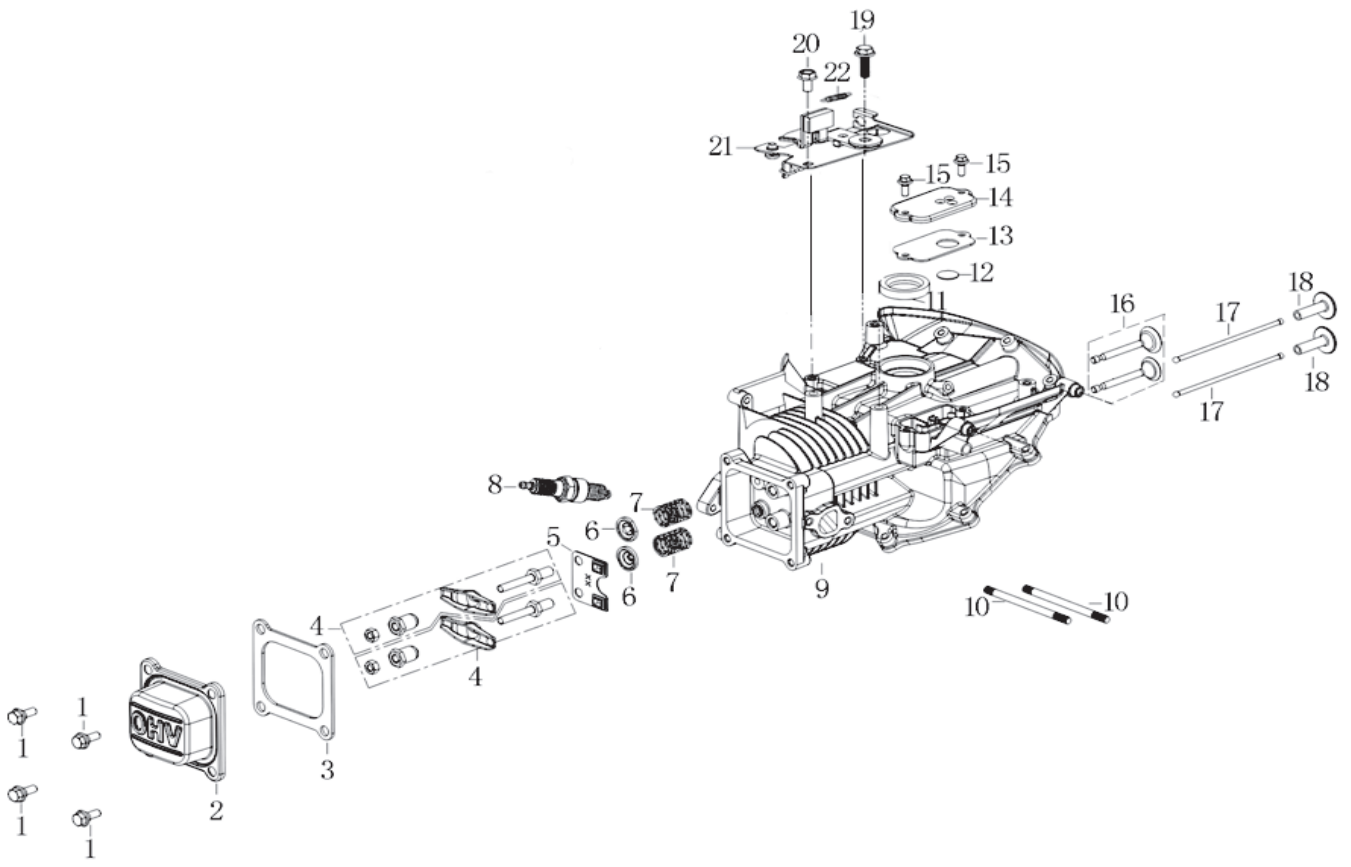
**GREEN ENGINE**

**4-тактный двигатель  
Caiman Green Engine 140CC**



# CAIMAN

## CRANK CASE

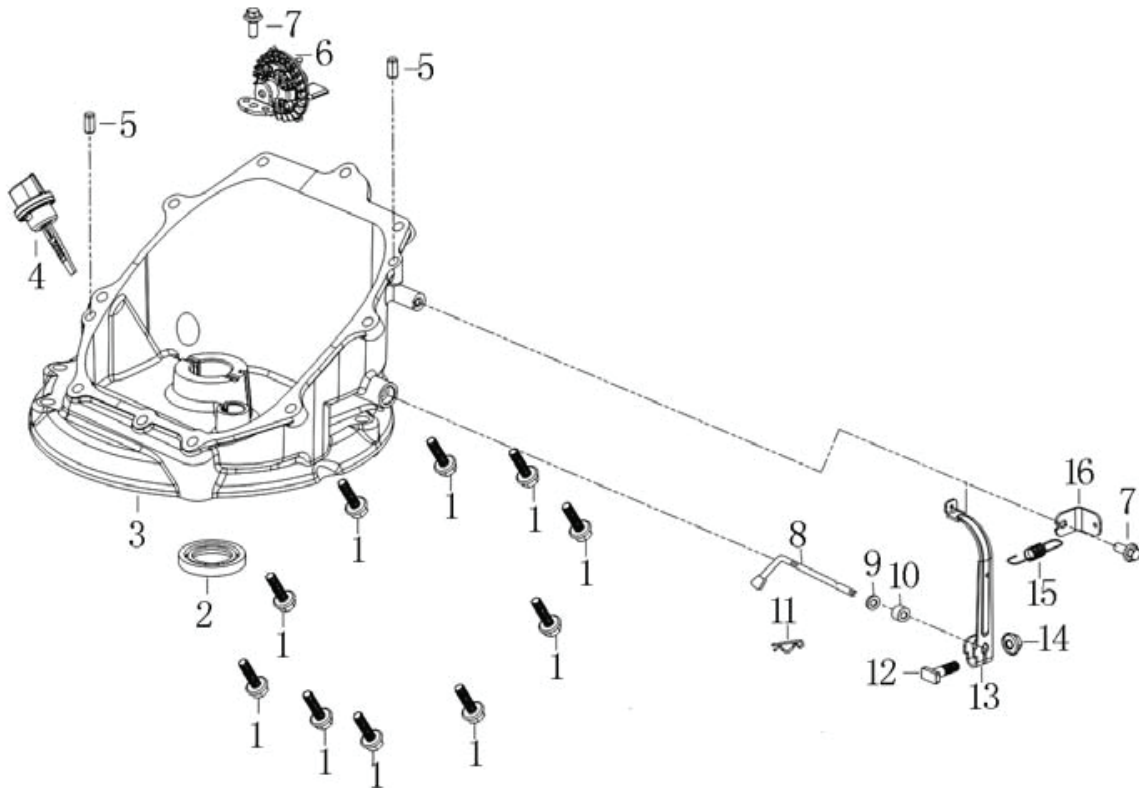


# **CAIMAN**

<b>N°</b>	<b>Description</b>	<b>Part Number</b>	<b>Qty (UOM)</b>
1	Hexagon bolt with flange	U065-FA001	4
2	Cylinder head cover	U065-FE002	1
3	Gasket for cylinder head cover	U065-FE003	1
4	Valve rocker combination	U065-FE004	2
5	Plate, push rod guide	U065-FE005	1
6	Retainer, valve spring	U065-FA054	2
7	Inner spring of valve	U065-FE007	2
8	Spark plug	U065-FA004	1
9	Crankcase body	U065-FE009	1
10	Stud	U065-FA007	2
11	Oil seal	U065-FA016	1
12	Breath fin	U065-FE012	1
13	PACKING, BREATHER CHAMBER	U065-FE013	1
14	CAP,BREATHER CHAMBER	U065-FE014	1
15	Hexagon bolt with flange	U065-FE016	2
16	Valve Kit	U065-FA056	1
17	Push rod	U065-FE018	2
18	Lifter, Valve	U065-FA059	2
19	Hexagon bolt with flange	U065-FA024	1
20	Hexagon bolt with flange	U065-FE021	1
21	Engine brake	U065-FE022	1
22	Tension spring	U065-FE023	1

# CAIMAN

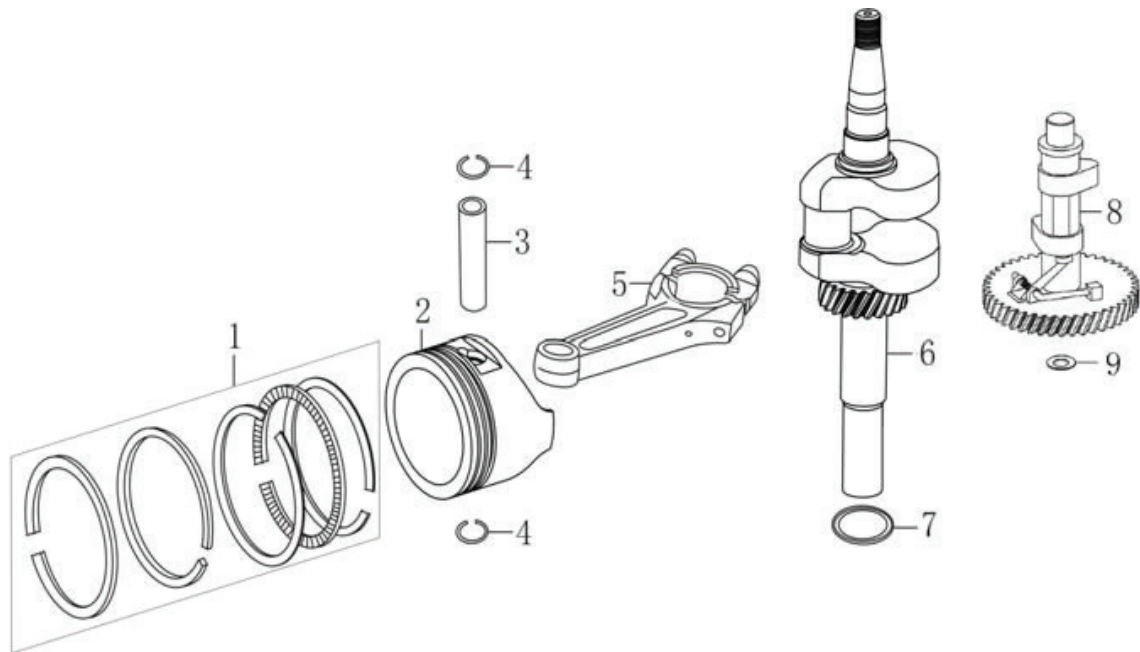
## CRANK CASE COVER



N°	Description	Part Number	Qty (UOM)
1	Hexagon bolt with flange	U065-FA024	10
2	Oil seal	U065-FA033	1
3	Crankcase cover	U065-FE026	1
4	Oil rule combination	U065-FE027	1
5	Oclation pin	U065-FE028	2
6	Components of governor gear	U065-FE029	1
7	Hexagon bolt with flange	U065-FE016	2
8	Speed regulating arm	U065-FA026	1
9	Flat washer	U065-FA027	1
10	Oil seal 1	U065-FA028	1
11	Pin clip	U065-FA029	1
12	Square head set screw with flat point	U065-FA098	1
13	Speed regulating bracket	U065-FE036	1
14	Hexagon nut with flange	U065-FA100	1
15	Governing spring	U065-FE038	1
16	Throttle handle combination	U065-FE039	1

# CAIMAN

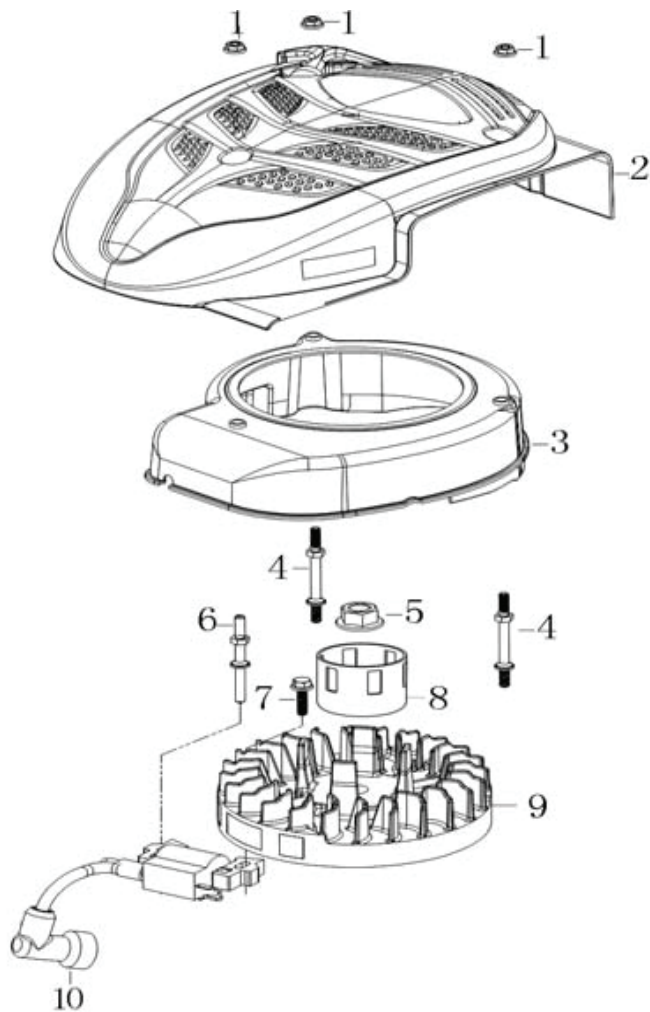
## CRANKSHAFT/PISTON



N°	Description	Part Number	Qty (UOM)
1	Piston ring combination	U065-FE040	1
2	Piston	U065-FE041	1
3	Piston pin	U065-FA047	1
4	Steel cable baffle ring	U065-FA048	2
5	Connecting rod	U065-FE044	1
6	crankshaft	U065-FE045	1
7	Flat washer	U065-FA052	1
8	Camshaft assy	U065-FE047	1
9	Flat washer	U065-FA061	1

# CAIMAN

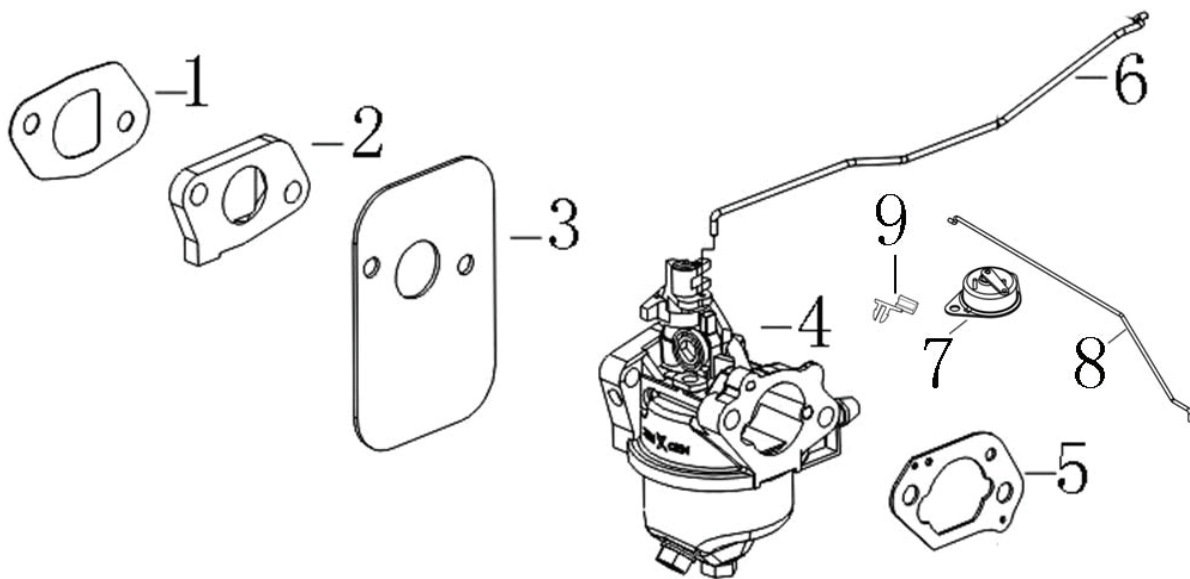
## CRANK CASE COVER



N°	Description	Part Number	Qty (UOM)
1	Hexagon nut with flange	U065-FA065	3
2	Manual starting assembly	U065-FE050	1
3	Fan cover comp.	U065-FE051	1
4	Stay stud	U065-FE052	2
5	Hexagon nut with flange	U065-FA085	1
6	Stay stud	U065-FE054	1
7	Hexagon bolt with flange	U065-FA024	1
8	Starting disc	U065-FE056	1
9	FLYWHEEL COMP	U065-FE057	1
10	COIL ASSY.,IGNNTION	U065-FE058	1

# CAIMAN

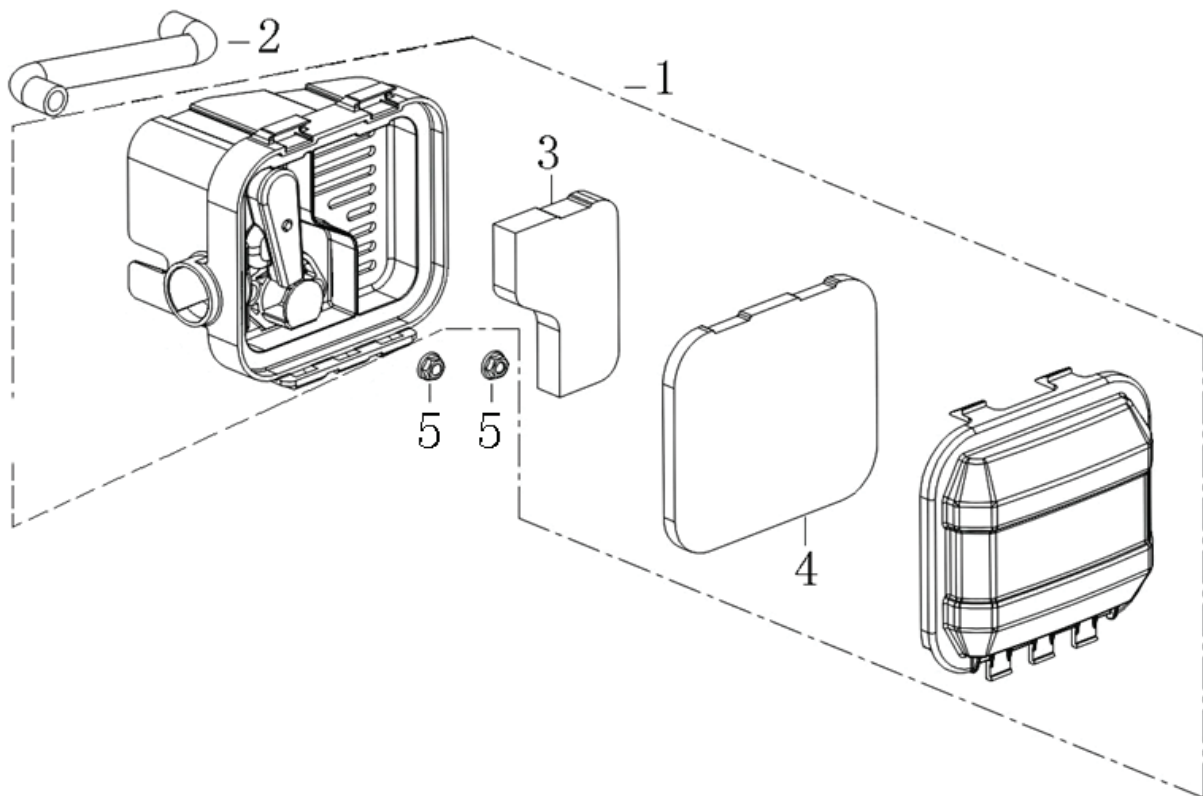
## CARBURETOR



N°	Description	Part Number	Qty (UOM)
1	Carburetor gasket	U065-FA074	1
2	Heat insulating pad for carburetor	U065-FA075	1
3	Heat insulating plate for carburetor	U065-FE061	1
4	Carburetor	U065-FE062	1
5	Carburetor gasket	U065-FE063	1
6	Throttle rod	U065-FE064	1
7	Control components of choke valve	U065-FE065	1
8	Choke valve pull rod	U065-FE066	1
9	Locker of choke valve pull rod	U065-FA073	1

# CAIMAN

## AIR CLEANER

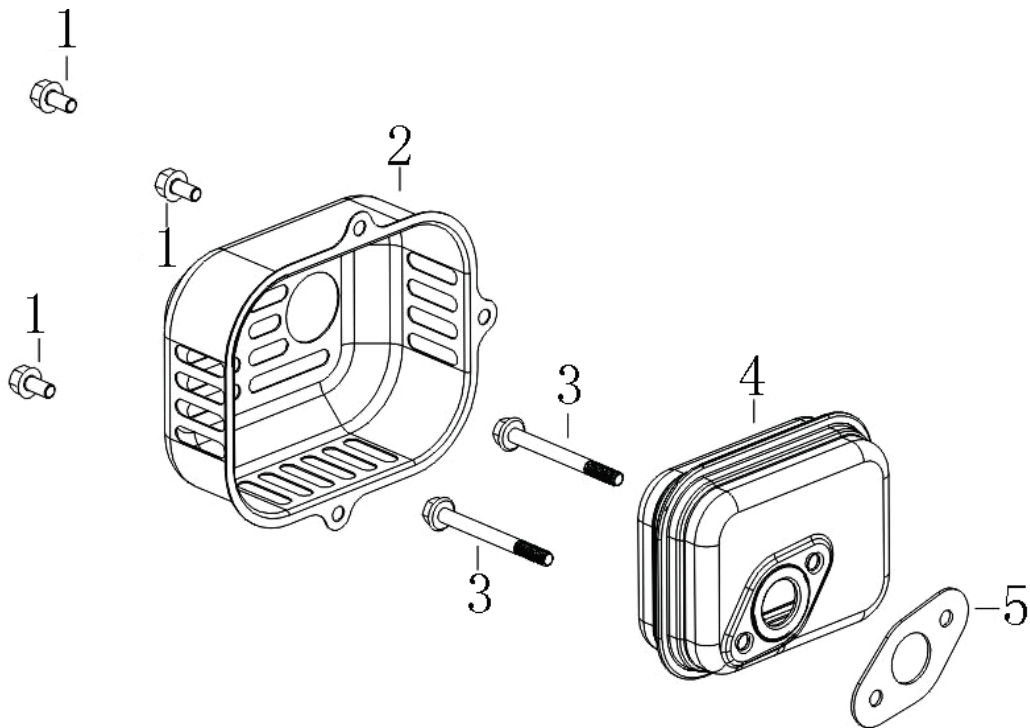


N°	Description	Part Number	Qty (UOM)
1	Air filter	U065-FE068	1
2	Breather tube	U065-FE069	1
3	Air filter element	U065-FE070	1
4	Air filter element	U065-FE071	1
5	Hexagon nut with flange	U065-FA065	2



# CAIMAN

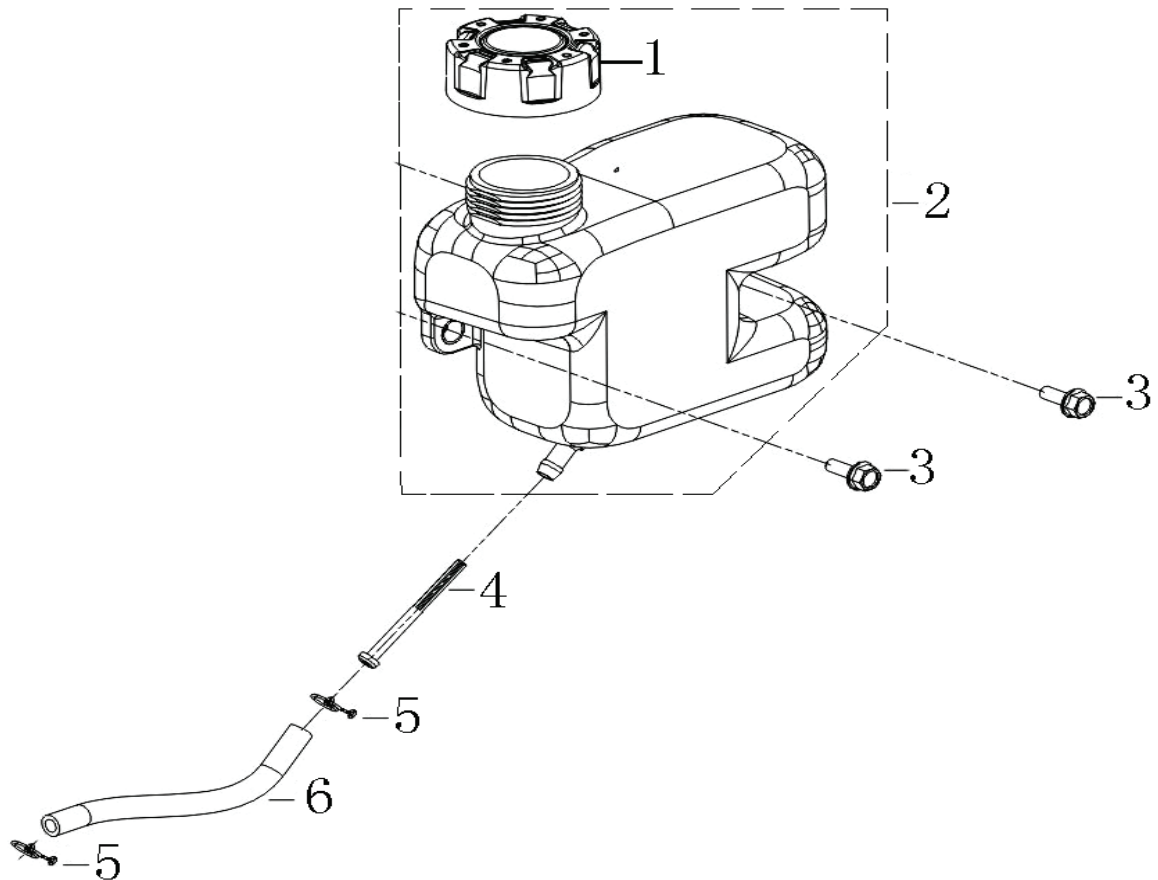
## MUFFLER



N°	Description	Part Number	Qty (UOM)
1	Hexagon bolt with flange	U065-FE021	4
2	Muffer guard shield	U065-FE074	1
3	Hexagon bolt with flange	U065-FE075	2
4	Muffer	U065-FE076	1
5	Muffer gasket	U065-FE077	1

# CAIMAN

## FUEL TANK



N°	Description	Part Number	Qty (UOM)
1	Tank cover	U065-FA106	1
2	Tank	U065-FE079	1
3	Hexagon shaft shoulder bolt	U065-FE080	2
4	Fuel filter	U065-FA112	1
5	Pipe clip	U065-FA115	2
6	Oil tube	U065-FE083	1