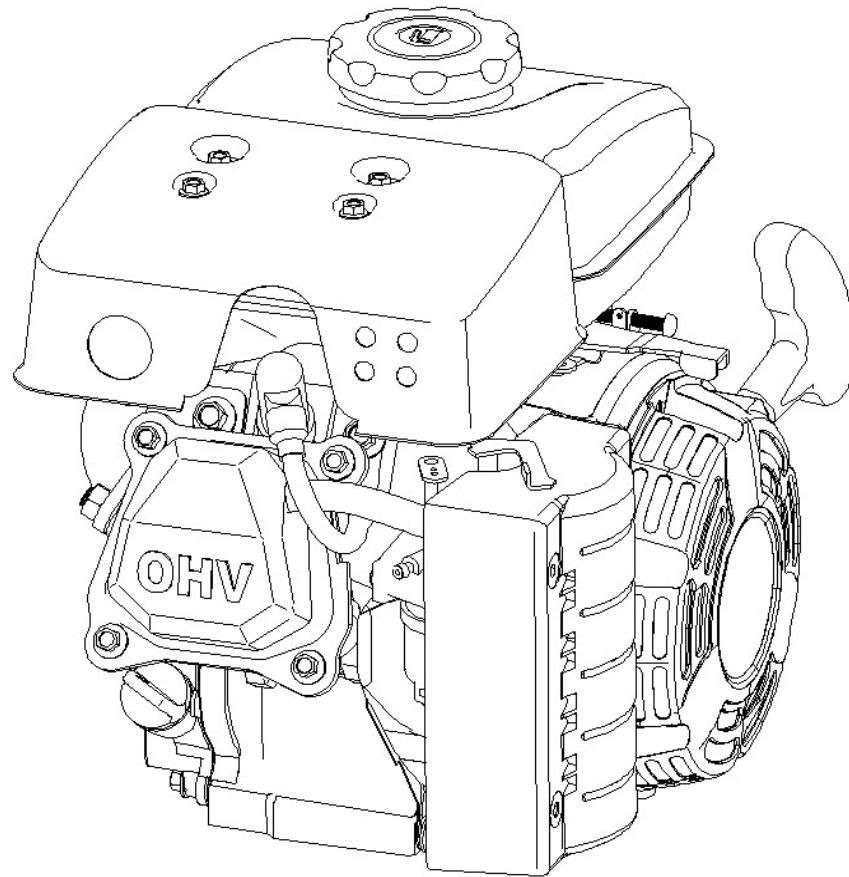
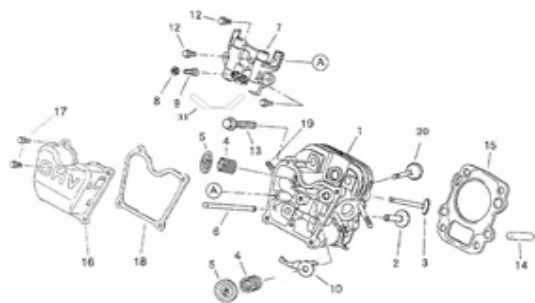


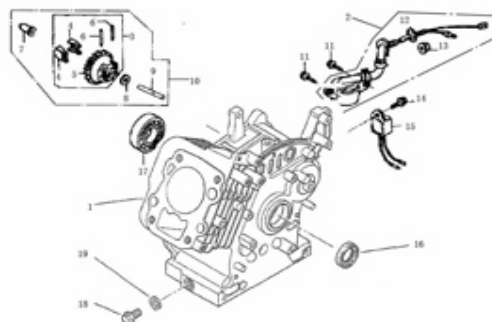
LC154F



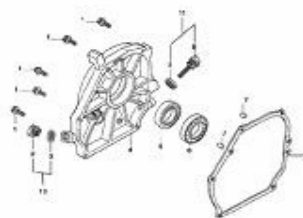
气缸头 (CYLINDER HEAD)



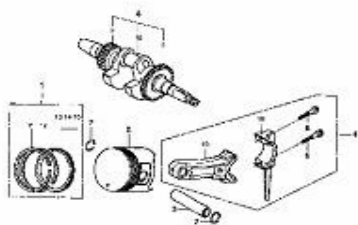
曲轴箱体 (CRANK)



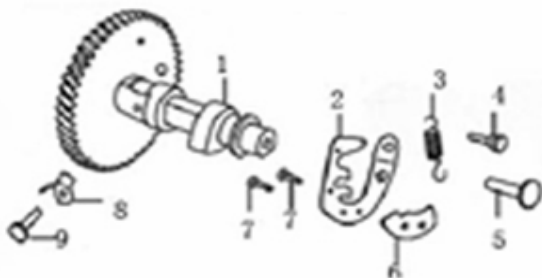
曲轴箱盖 (CRANK CASE COVER)



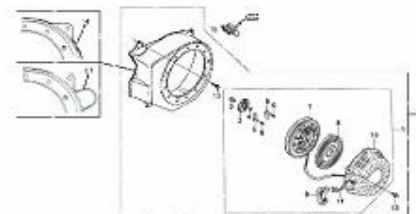
曲轴/活塞 (CRANKSHAFT/PISTON)



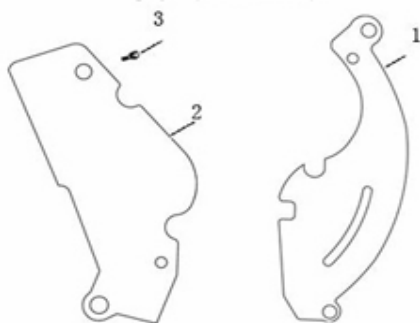
凸轮轴 (CAMSHAFT ASSY)



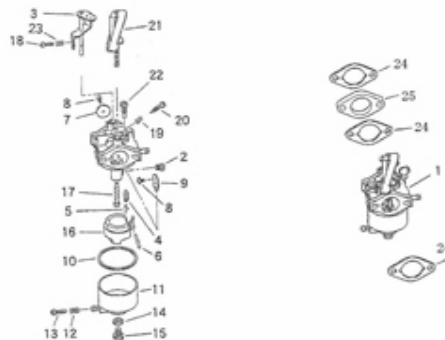
启动器组件 (STARTER SUBASSEMBLY)



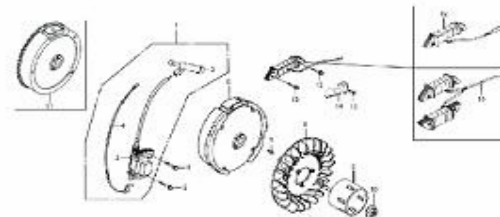
护罩 (SHIELD LOWER)



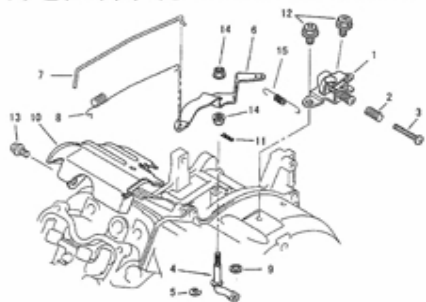
化油器 (CARBURETOE)



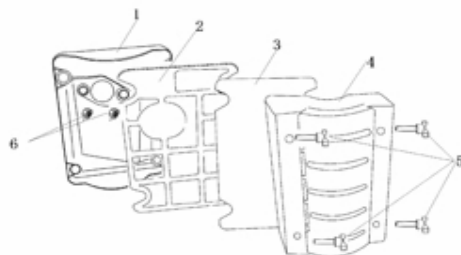
飞轮/点火线圈 (FLYWHEEL/COIL ASSY)



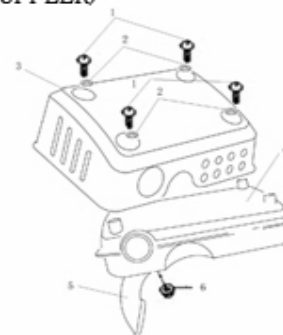
调速控制系统 (CONTROL ASSY)



空滤器 (AIR CLEANER)

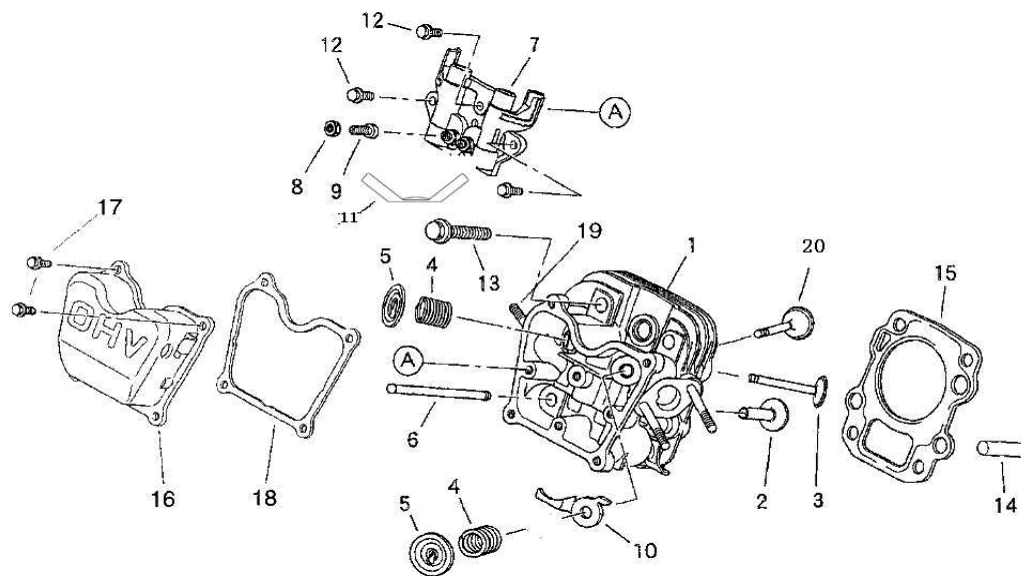


消声器 (MUFFLER)



油箱 (FUEL TANK)

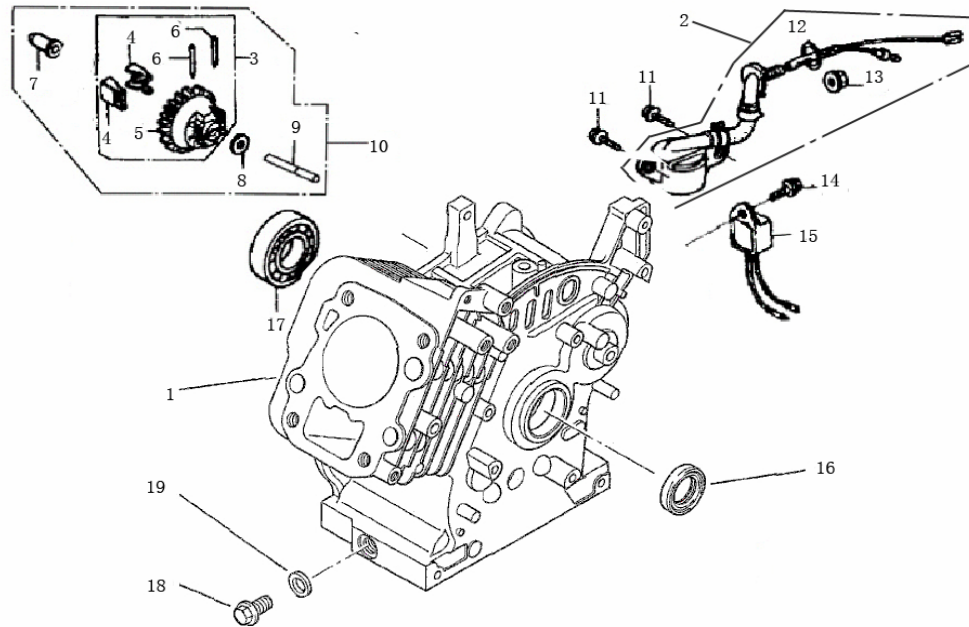




### 气缸头 ( CYLINDER HEAD)

| 序号<br>No. | 零部件图号<br>Part No. | 零部件名称        | Description               | 数量 (Reqd. Q'TY) |
|-----------|-------------------|--------------|---------------------------|-----------------|
|           |                   |              |                           | LC154F          |
| 1         | 102200-328000     | 气缸头部件        | HEAD COMP.,CYLINDER       | 1               |
| 2         | 104197-328000     | 挺柱           | LIFIER,VALVE              | 2               |
| 3         | 104311-328000     | 进气门          | VALVE,IN.                 | 1               |
| 4         | 104321-328000     | 气门弹簧         | SPRING,VALVE              | 2               |
| 5         | 104431-328000     | 气门弹簧座        | RETAINER,VALVE SPRING     | 2               |
| 6         | 104151-328000     | 挺杆           | ROD,PUSH                  | 2               |
| 7         | 104400-328000     | 摇臂组件         | ARM ASSY.                 | 1               |
| 8         | 104414-328000     | 气门调整螺母       | PIVOT,ROCKER ARM          | 2               |
| 9         | 104413-328000     | 气门调整螺栓       | BOLT,PIVOT,ARM            | 2               |
| 10        | 101100-328000     | 导油垫片         | PLATE,CYLINDER HEAD       | 1               |
| 11        | 104433-328000     | 摇臂轴挡块        | RETAINER , ROCKER ARM SHA | 1               |
| 12        | SB0616-0000000AZ  | 六角法兰面螺栓M6×16 | BOLT , FLANGE , 6×16      | 4               |
| 13        | 102247-T000120    | 连接螺栓8×55     | BOLT , FLANGE , 8×55      | 4               |
| 14        | T41000-T000200    | 定位销8×16      | PIN,DOWEL 8×16            | 2               |

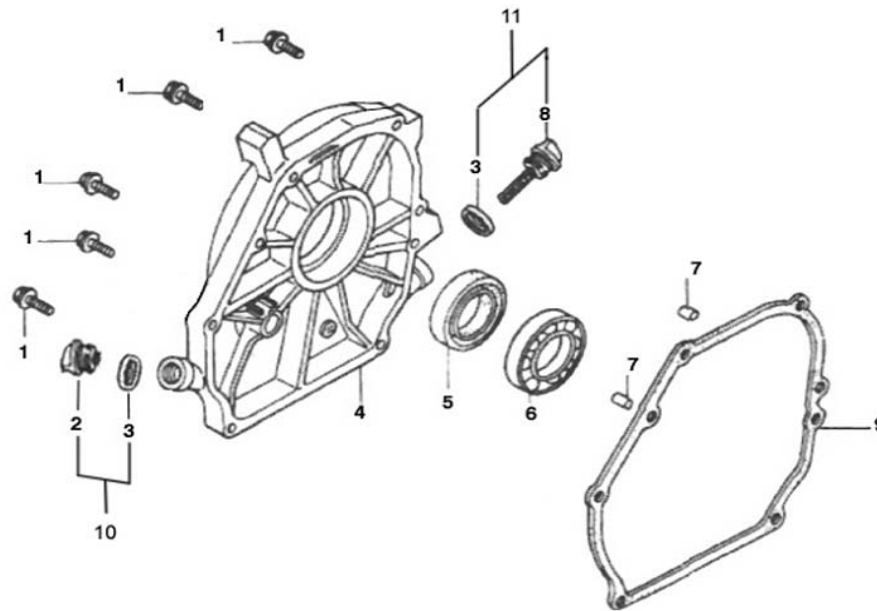




### 曲轴箱体(CRANK CASE)

| 序号<br>No. | 零部件图号<br>Part No. | 零部件名称        | Description          | 数量 (Q'TY) |
|-----------|-------------------|--------------|----------------------|-----------|
|           |                   |              |                      | LC154F    |
| 1         | E10210-328000     | 曲轴箱体         | CRANK CASE COMP.     | 1         |
| 2         | 323700-328000     | 机油传感器        | OIL LEVEL SWITCH     | 1         |
| 3         | 121310-328000     | 调速齿轮组合       | SLIDER,GOVERNOR      | 1         |
| 4         | 121312-328000     | 调速飞块         | WEIGHT,GOVERNOR      | 2         |
| 5         | 121311-328000     | 调速齿轮         | GEAR,GOVERNOR        | 1         |
| 6         | 121313-328000     | 调速飞块销        | PIN,GOVERNOR WEIGHT  | 2         |
| 7         | 121302-328000     | 调速帽          | SLIDER,GOVERNOR      | 1         |
| 8         | T21000-T000230    | 平垫6.2×15×0.5 | WASHER 6.2×15×0.5    | 1         |
| 9         | 121304-328000     | 调速芯轴         | SHAFT,GOVERNOR       | 1         |
| 10        | 121300-328000     | 调速齿轮部件       | GOVERNOR ASSY        | 1         |
| 11        | SB0625-0000000AZ  | 法兰面螺栓M6×12   | BOLT , FLANGE , 6×12 | 1         |
| 12        | T51000-T000240    | O型圈11×7×2    | O-RING 11×7×2        | 1         |
| 13        | M81000-0000000AZ  | 螺母M10        | Nut M10              | 1         |
| 14        | SB0610-0000000AZ  | 法兰面螺栓M6×10   | BOLT , FLANGE , 6×10 | 1         |

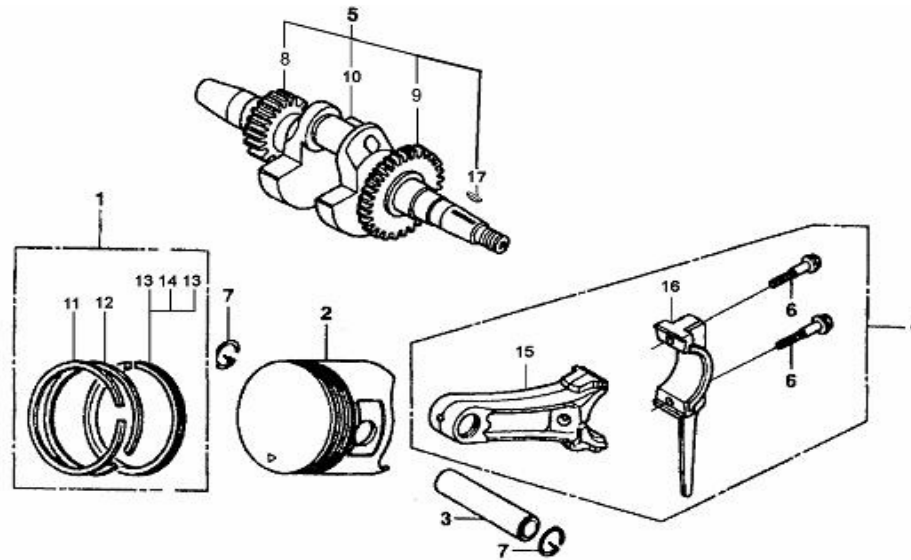




### 曲轴箱盖 ( CRANK CASE COVER )

| 序号<br>No. | 零部件图号<br>Part No. | 零部件名称        | Description          | 数量 (Q'TY) |
|-----------|-------------------|--------------|----------------------|-----------|
|           |                   |              |                      | LC154F    |
| 1         | SB0625-0000000AZ  | 六角法兰面螺栓M6×25 | BOLT , FLANGE        | 6         |
| 2         | 105501-328000     | 机油塞          | OIL STICK            | 1         |
| 3         | 105502-328000     | 矩形密封圈        | PACKING , OIL FILLER | 2         |
| 4         | E10208-328000     | 曲轴箱盖         | CASE COVER           | 1         |
| 5         | E10220-T000150    | 油封17×30×6    | OIL SEAL             | 1         |
| 6         | E10221-T000390    | 深沟球轴承6303    | BEARING              | 1         |
| 7         | T41000-T000200    | 定位销 8×16     | PIN , DOWEL          | 2         |
| 8         | 105301-328000     | 机油尺          | OIL FILLER CAP       | 1         |
| 9         | E10209-328000     | 曲轴箱盖密封垫      | PACKING , CASE COVER | 1         |
| 10        | 105500-328000     | 机油塞部件        | OIL FILLER ASSY.     | 1         |
| 11        | 105300-328000     | 机油尺部件        | CAP ASSY.            | 1         |
| 12        |                   |              |                      |           |
| 13        |                   |              |                      |           |
| 14        |                   |              |                      |           |
| 15        |                   |              |                      |           |



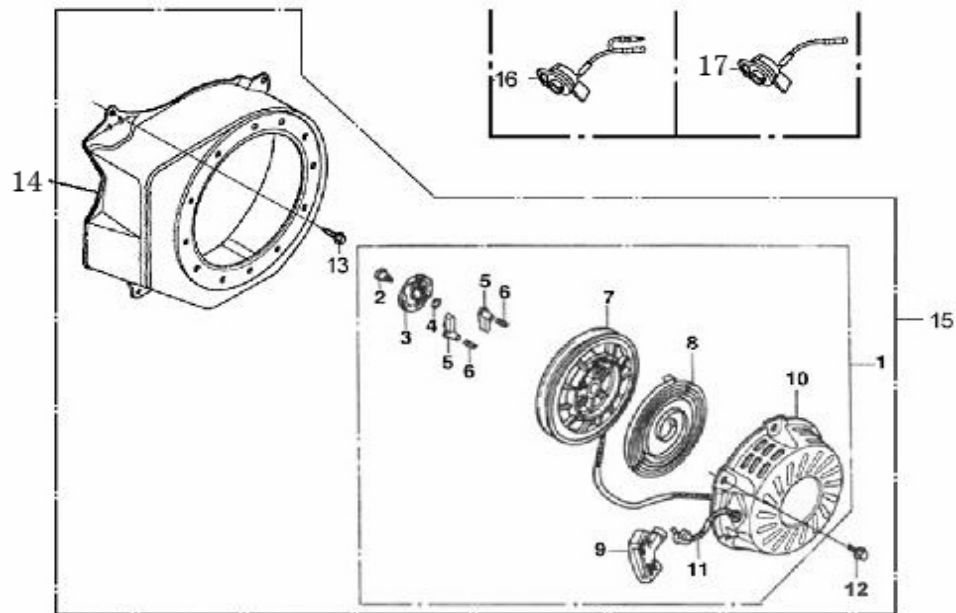


### 曲轴/活塞 ( CRANKSHAFT/PISTON)

| 序号<br>No. | 零部件图号<br>Part No. | 零部件名称       | Description            | 数量 (Q'TY) |
|-----------|-------------------|-------------|------------------------|-----------|
|           |                   |             |                        | LC154F    |
| 1         | 103120-328000     | 活塞环组合       | RING SET               | 1         |
| 2         | 103101-328000     | 活塞          | PISTON                 | 1         |
| 3         | 103111-328000     | 活塞销         | PIN , PISTON           | 1         |
| 4         | 103201-328000     | 连杆          | ROD ASSY ., CONNECTING | 1         |
| 5         | E10310-328001     | 曲轴 ( A轴 )   | CRANKSHAFT COMP        | 1         |
| 6         | 103204-328000     | 连杆螺栓        | BOLT , CONNECTING ROD  | 2         |
| 7         | 103115-328000     | 活塞销挡圈       | CLIP , PISTON PIN      | 2         |
| 8         | 103215-328000     | 正时主动链/齿轮    | GEAR, TIMING           | 1         |
| 9         | E10312-328000     | 调速主动齿轮      | GEAR, CRANKSHAFT       | 1         |
| 10        | E10311-328001     | 曲轴本体 ( A轴 ) | CRANKSHAFT             | 1         |
| 11        | 103121-328000     | 一环          | RING , FIRST           | 1         |
| 12        | 103122-328000     | 二环          | RING , SECOND          | 1         |





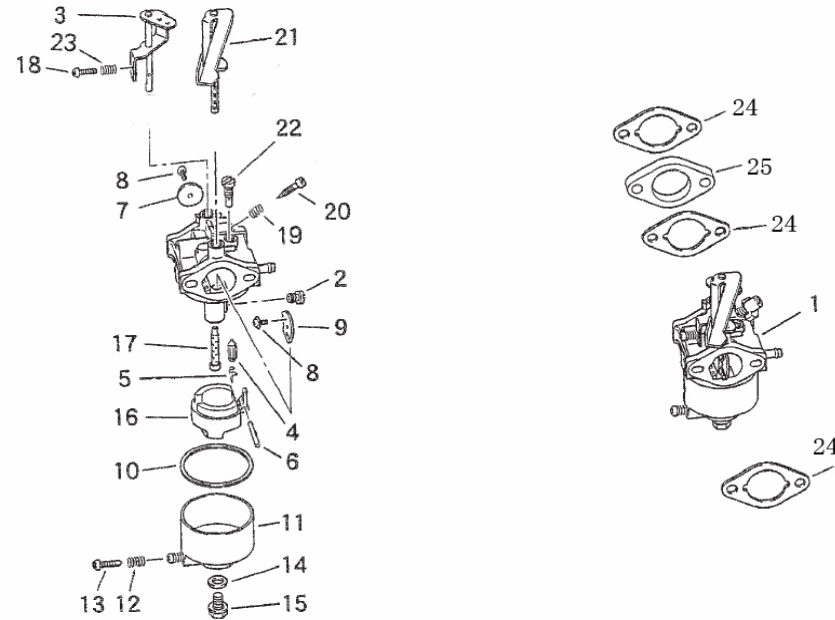


### 起动机组件 ( STARTER SUBASSEMBLY )

| 序号<br>No. | 零部件图号<br>Part No. | 零部件名称           | Description             | 数量 (Q'TY) |
|-----------|-------------------|-----------------|-------------------------|-----------|
|           |                   |                 |                         | LC154F    |
| 1         | 109420-328000     | 起动机拉盘组合         | STARTER ASSY.           | 1         |
| 2         | 109413-328000     | 导向板紧固螺钉         | SCREW , SETTING         | 1         |
| 3         | 109406-328000     | 驱动导向板           | GUIDE , RATCHET         | 1         |
| 4         | 109414-328000     | 分离弹簧            | SPRING , FRICTION       | 1         |
| 5         | 109405-328000     | 驱动凸轮(棘爪)        | RATCHET , STARTER       | 2         |
| 6         | 109416-328000     | 驱动凸轮扭簧          | SPRING , RETURN         | 2         |
| 7         | 109402-328000     | 拉绳盘             | REEL , RECOIL STARTER   | 1         |
| 8         | 109404-328000     | 起动机复位弹簧         | SPRING , RECOIL STARTER | 1         |
| 9         | 109407-328000     | 拉绳手柄            | KNOB , RECOIL STARTER   | 1         |
| 10        | 109417-328000     | 拉绳盘罩            | COVER COMP ., FAN       | 1         |
| 11        | 109403-328000     | 拉绳              | ROPE                    | 1         |
| 12        | SB0608-0000000DL  | 六角法兰面螺栓M6×8     | BOLT , FLANGE 6×8       | 3         |
| 13        | SB0610-0000000DL  | 六角法兰面螺栓M6×10    | BOLT , FLANGE 6×10      | 4         |
| 14        | 112210-328000     | 风扇罩             | COVER COMP ., FAN       | 1         |
| 15        | 109440-328000     | 手起动机机构部件(起动机组合) | RECOIL STARTER COMP.    | 1         |

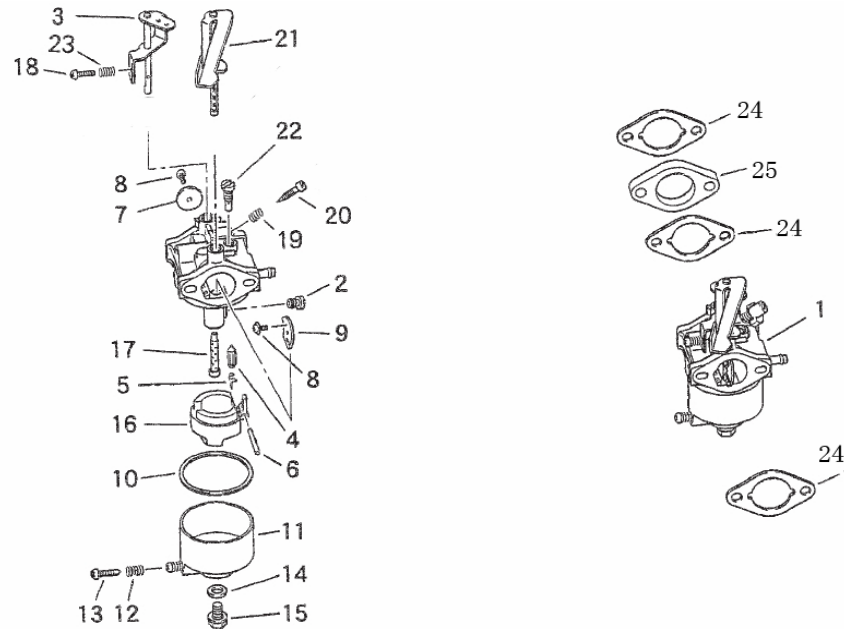






### 化油器 ( CARBURETOR )

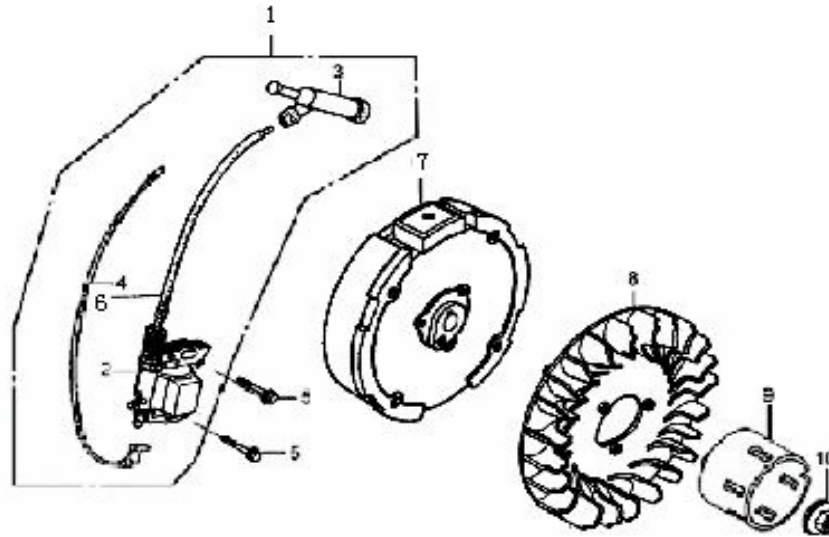
| 序号<br>No. | 零部件图号<br>Part No. | 零部件名称       | Description                 | 数量 ( Q'TY ) |
|-----------|-------------------|-------------|-----------------------------|-------------|
|           |                   |             |                             | LC154F      |
| 1         | 113100-328000     | 化油器         | CARBURETOR                  | 1           |
| 2         | 113123-328000     | 主喷管         | NOZZLE , MAIN               | 1           |
| 3         | 113152-328000     | 节气门轴        | SHAFT, THROTTLE             | 1           |
| 4         | 113143-328000     | 浮子阀体        | PRINCIPAL PART, FLOAT VALVE | 1           |
| 5         | 113144-328000     | 浮子阀弹簧       | VALVE , FLOAT               | 1           |
| 6         | 113142-328000     | 浮子销         | SPRING , VALVE SET          | 1           |
| 7         | 113151-328000     | 节气门         | THROTTLE VALVE              | 1           |
| 8         | D20308-0000000BZ  | 十字槽盘头螺钉M3×8 | SCREW , PAN , 3×8           | 3           |
| 9         | 113161-328000     | 阻风门         | CHOKE                       | 1           |
| 10        | 113172-328000     | 油杯密封圈       | GASKET, OIL CUP             | 1           |
| 11        | 113171-328000     | 油杯          | OIL CUP                     | 1           |
| 12        | 113184-328000     | 放油螺栓弹簧      | SPRING, DRAIN BOLT          | 1           |



### 化油器 ( CARBURETOR )

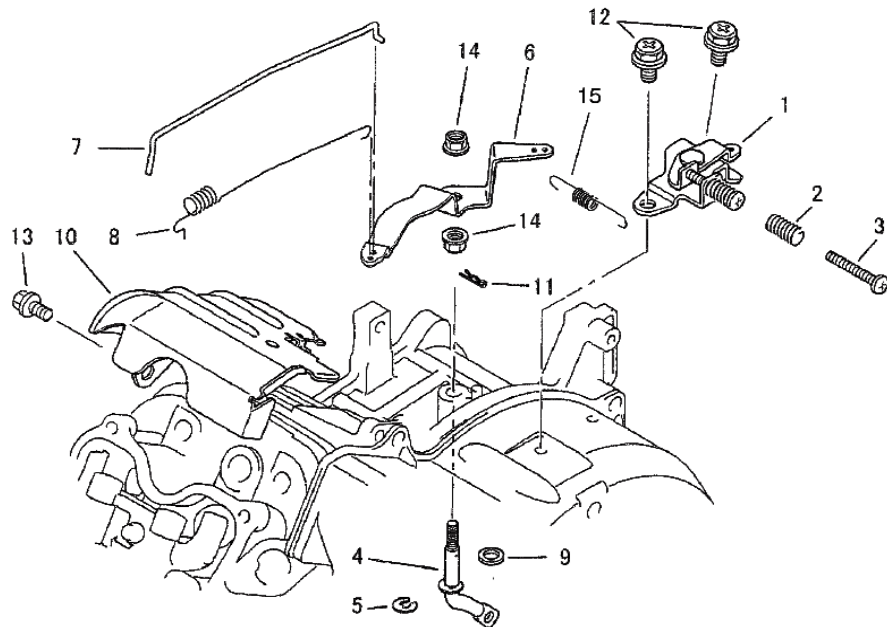
| 序号<br>No. | 零部件图号<br>Part No. | 零部件名称      | Description                | 数量 (Q'TY) |
|-----------|-------------------|------------|----------------------------|-----------|
|           |                   |            |                            | LC154F    |
| 13        | 113185-328000     | 油杯放油螺塞     | DRAIN PLUG , OIL CUP       | 1         |
| 14        | 113181-328000     | 油杯螺栓密封圈    | GASKET,OIL CUP BOLT        | 1         |
| 15        | 113183-328000     | 油杯螺栓       | BOLT,OIL CUP               | 1         |
| 16        | 113141-328000     | 浮子         | FLOAT                      | 1         |
| 17        | 113123-328000     | 主喷管        | NOZZLE,MAIN                | 1         |
| 18        | 113117-328000     | 怠速限位螺钉     | SCREW,THROTTLE STOP        | 1         |
| 19        | 113115-328000     | 怠速油量调节螺钉弹簧 | SPRING,SCREW               | 1         |
| 20        | 113116-328000     | 怠速油量调节螺钉   | SCREW                      | 1         |
| 21        | 113162-328000     | 阻风门轴       | SHAFT,CHOKE                | 1         |
| 22        | 113118-328000     | 怠速量孔       | JET SET , PILOT            | 1         |
| 23        | 113129-328000     | 怠速限位螺钉弹簧   | SPRING , THROTTLE SCREW    | 1         |
| 24        | 113198-328000     | 化油器密封垫     | GASKET PACKING,CARBURETOR  | 3         |
| 25        | 113199-328000     | 化油器隔热垫     | HEAT INSULATION,CARBURETOR | 1         |
|           |                   |            |                            |           |
|           |                   |            |                            |           |





### 转子部件 ( 飞轮 ) /点火线圈 ( FLYWHEEL/COIL ASSY. )

| 序号<br>No. | 零部件图号<br>Part No. | 零部件名称        | Description                | 数量 (Q'TY) |
|-----------|-------------------|--------------|----------------------------|-----------|
|           |                   |              |                            | LC154F    |
| 1         | 305000-328000     | 点火线圈(点火器)    | COIL ASSY ., IGNITION      | 1         |
| 2         | 305100-328000     | 点火线圈体        | COIL , IGNITION            | 1         |
| 3         | 305200-328000     | 火花塞帽         | CAP ASSY ., NOISE SUPPRESS | 1         |
| 4         | 305072-328000     | 熄火线          | CORD , STOP SWITCH         | 1         |
| 5         | SB0625-0000000AZ  | 六角法兰面螺栓M6×25 | BOLT , FLANGE , 6×25       | 2         |
| 6         | 375100-328000     | 转子部件(飞轮)     | FLYWHEEL COMP              | 1         |
| 7         |                   |              |                            |           |
| 8         | 103292-328000     | 叶轮           | FAN , COOLING              | 1         |
| 9         | 103293-328000     | 起动杯          | PULLEY , STARTER           | 1         |
| 10        | 103299-T000010    | 磁电机(飞轮)螺母    | NUT , SPECIAL              | 1         |
| 11        |                   |              |                            |           |
| 12        |                   |              |                            |           |
| 13        |                   |              |                            |           |
| 14        |                   |              |                            |           |
| 15        |                   |              |                            |           |

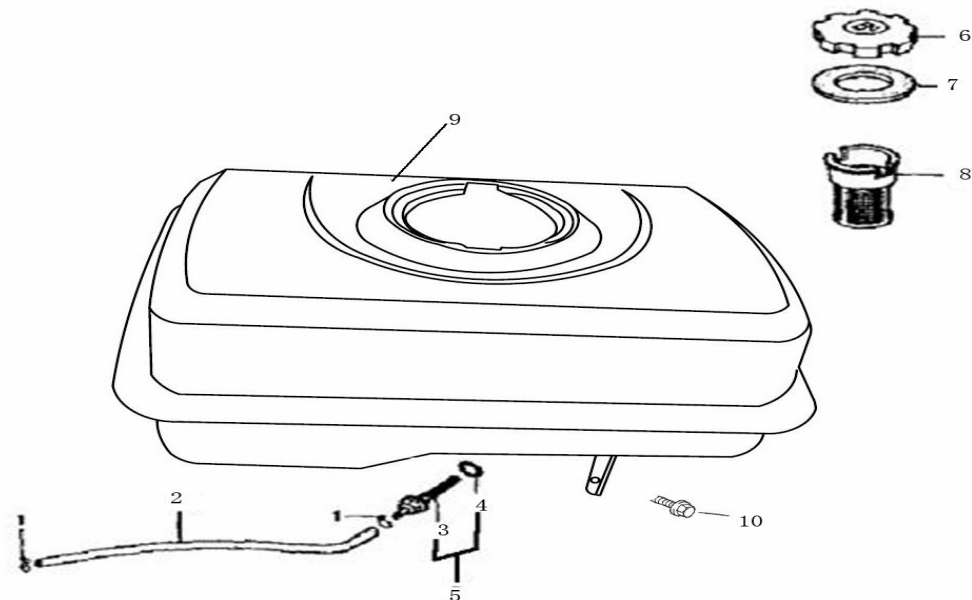


### 调速控制系统 ( CONTROL SYSTEM )

| 序号<br>No. | 零部件图号<br>Part No. | 零部件名称       | Description              | 数量 (Q'TY) |
|-----------|-------------------|-------------|--------------------------|-----------|
|           |                   |             |                          | LC154F    |
| 1         | 121100-328000     | 油门操作组合      | CONTORL ASSY             | 1         |
| 2         | 121103-328000     | 限位调节弹簧      | SPRING,CONTROL ADJUSTING | 1         |
| 3         | 121119-328000     | 限位调节螺钉      | SCREW,CONTROL ADJUSTING  | 1         |
| 4         | 121005-328000     | 调速臂         | SHAFT,GOVERNOR ARM       | 1         |
| 5         | A50800-000000000  | 开口挡圈        |                          | 1         |
| 6         | 121004-328000     | 调速支架        | ARM,GOVERNOR             | 1         |
| 7         | 121001-328000     | 油门拉杆        | ROD,GOVERNOR             | 1         |
| 8         | 121003-328000     | 节气门复位弹簧(B簧) | SPRING,THROTTLE RETURN   | 1         |
| 9         | T51000-T000240    | O型密封圈 8×2   | O-RING 8×2               | 1         |
| 10        | 102208-328000     | 气缸头导流罩      | SHROUD COMP              | 1         |
| 11        | 121007-328000     | 开口销         | PIN,LOCK                 | 1         |
| 12        | SB0610-0000000AZ  | 法兰面螺栓 M6×10 | BOLT , FLANGE , 6×10     | 2         |
| 13        | SB0610-0000000AZ  | 法兰面螺栓 M6×10 | BOLT , FLANGE , 6×10     | 1         |
| 14        | M80600-0000000AZ  | 六角法兰面螺母 M6  | Nut M6                   | 2         |
| 15        | 121002-328000     | 调速弹簧(A簧)    | SPRING,GOVERNOR          | 1         |







### 燃油箱 ( FUEL TANK )

| 序号<br>No. | 零部件图号<br>Part No. | 零部件名称        | Description                 | 数量 (Q'TY) |
|-----------|-------------------|--------------|-----------------------------|-----------|
|           |                   |              |                             | LC154F    |
| 1         | E40211-328000     | 油管卡圈         | CLIP , TUBE                 | 2         |
| 2         | 801086-T001880    | 油管4×8×210    | TUBE,FUEL                   | 1         |
| 3         | 801601-144000     | 出油嘴主体        | NOUMENON,JOINT ASSY.,FUEL   | 1         |
| 4         | 801602-144000     | 出油嘴密封圈       | PACKING,JOINT ASSY.,FUEL TA | 1         |
| 5         | 801600-144000     | 出油嘴          | JOINT ASSY.,FUEL TANK       | 1         |
| 6         | 804000-144000     | 油箱盖          | CAP COMP.,FUEL FILLER       | 1         |
| 7         | 804001-144000     | 油箱盖密封圈       | PACKING , FUEL FILLER CAP   | 1         |
| 8         | E40201-144000     | 燃油滤网         | FILTER , FUEL               | 1         |
| 9         | 801000-328000     | 油箱           | TANK COMP ., FUEL           | 1         |
| 10        | M80600-0000000AZ  | 六角法兰面螺栓M6×10 | BOLT , FLANGE , 6×10        | 3         |
|           |                   |              |                             |           |
|           |                   |              |                             |           |
|           |                   |              |                             |           |
|           |                   |              |                             |           |
|           |                   |              |                             |           |