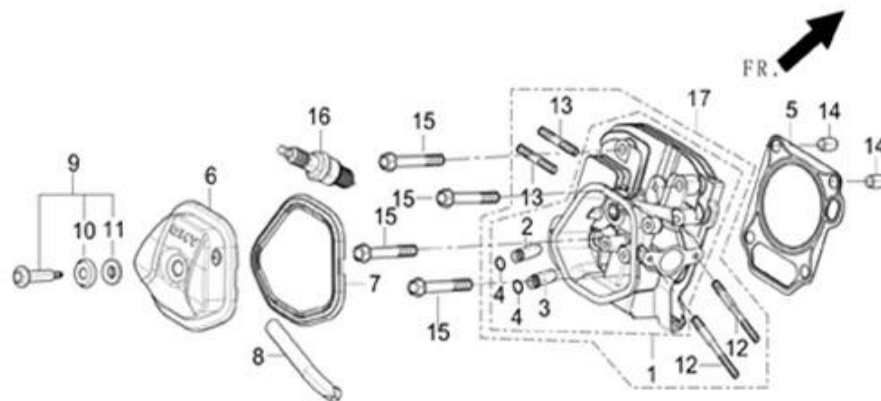


# Y03-001-011

FIG. 1 CYLINDER HEAD, CYLINDER COVER ASSY (E04)

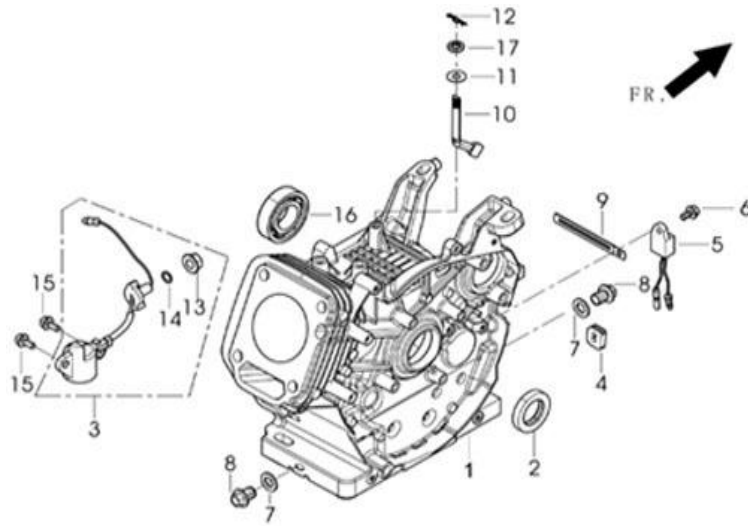
图1: 汽缸头组合 (E04)



REF. NO	物料代码	DESCRIPTION	名称	Q' TY数量	包装数	价格
1-1	12140-Z100110-0000	HEAD SUBASSEMBLY, CYLINDER	汽缸头组合	1	1	
1-5	12131-Z100110-0000	GASKET, CYLINDER HEAD	汽缸头密封垫	1	5	
1-6	12410-Z080110-H300	COVER SUBASSEMBLY, CYLINDER HEAD (BLACK)	汽缸头盖组合 (亚黑)	1	1	
1-7	12004-Z080110-0000	GASKET, CYLINDER HEAD COVER	汽缸头盖密封垫	1	5	
1-8	17004-Z080110-0000	TUBE, BREATHER	废气管	1	1	
1-9	12030-Z080110-0000	BOLT SUBASSEMBLY, CYLINDER HEAD COVER	汽缸头盖螺栓组合	1	1	
1-12	90204-Z100110-0000	TUBE, BREATHER	双头螺柱	2	1	
1-13	90203-Z010110-0000	TUBE, BREATHER	双头螺柱	2	1	
1-14	90502-1220-00	PIN	定位销-A型	2	1	
1-15	12003-Z080110-0000	BOLT, CYLINDER HEAD	汽缸头螺栓	4	1	
1-16	30010-Z010210-0000	PLUG, SPARK	火花塞	1	10	

FIG. 2 CRANKCASE (E17)

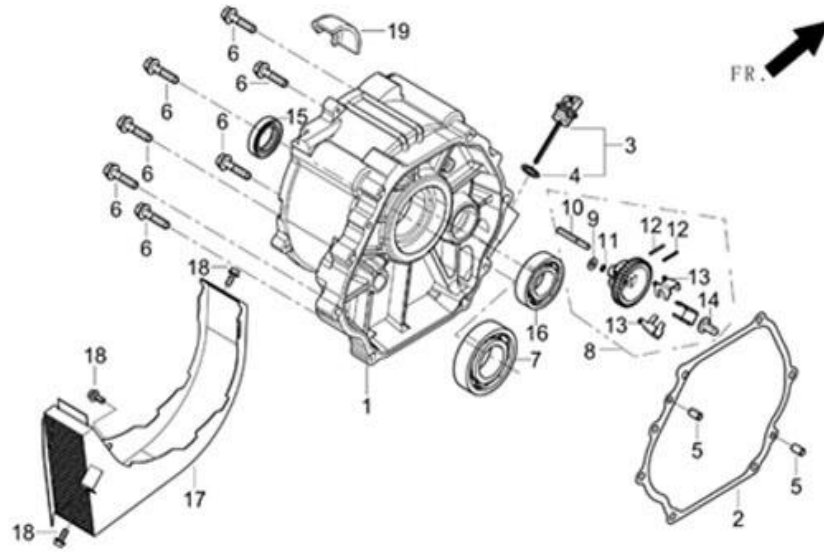
图2：曲轴箱组合 (E17)



REF. NO	物料代码	DESCRIPTION	名称	Q' TY数量	包装数	价格
2-1	11310-Z170110-0000	CRANKCASE ASSY.	曲轴箱体组合	1	1	
2-2	90682-Z100110-0000	SEAL, OIL	油封	1	1	
2-3	37060-Z080110-0000	SENSOR, ENGINE OIL	机油传感器	1	1	
2-4	28101-Z080110-0000	PLUG, RUBBER	橡胶塞	1	1	
2-5	37050-Z010210-0000	PROTECTOR, OIL	机油保护器	1	1	
2-6	90001-0612-01	BOLT	螺栓	1	1	
2-7	90412-Z080110-0000	WASHER	平垫圈	2	1	
2-8	11007-Z080110-0000	BOLT, DRAIN PLUG	放油螺栓	2	1	
2-9	90684-Z030120-0000	CLIP	线夹	1	1	
2-10	16061-Z100110-0000	ARM, GOVERNOR	调速臂	1	1	
2-11	90412-Z080210-0000	WASHER	平垫圈	1	1	
2-12	90501-Z010110-0000	PIN	开口销	1	1	
2-15	90001-0616-01	BOLT	六角法兰面螺栓-小系列	2	1	
2-16	90548-0202-00	BEARING	深沟球轴承-P6	1	1	
2-17	90682-Z100210-0000	SEAL, OIL	油封	1	1	

FIG. 3 COVER, CRANKCASE (E01)

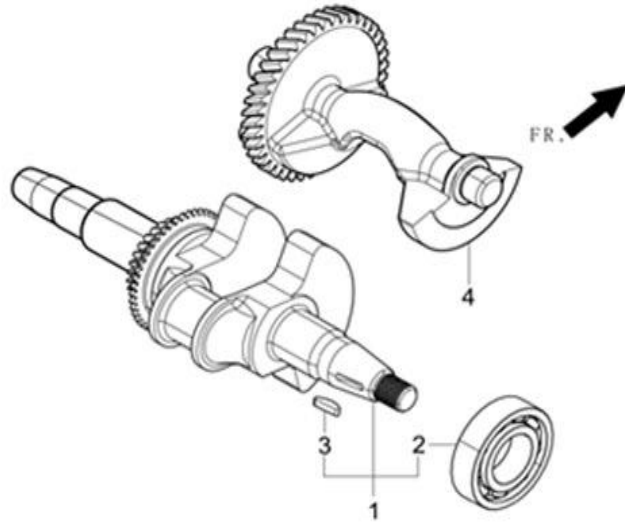
图3:曲轴箱盖总成 (E01)



REF. NO	物料代码	DESCRIPTION	名称	Q' TY数量	包装数	价格
3-1	11411-Z100610-0000	COVER ASSY, CRANKCASE	曲轴箱盖	1	1	
3-2	11001-Z100210-0000	GASKET, CRANKCASE	曲轴箱密封垫	1	5	
3-3	15010-Z080310-Q600	CAP COMP., OIL FILLER	机油尺组合(黄色)	1	1	
3-5	90502-0812-00	PIN	定位销-A型	2	1	
3-6	90001-0840-01	BOLT	六角法兰面螺栓-小系列	7	1	
3-7	90547-0207-00	BEARING	深沟球轴承-P53	1	1	
3-8	16400-Z100110-0000	GEAR ASSY, GOVERNOR	调速齿轮部件	1	1	
3-15	90682-Z100110-0000	OIL SEAL	油封	1	1	
3-16	90548-0202-00	BEARING	轴承	1	1	
3-17	30024-Y030110-0000	SHROUD, MOTOR	电机导风罩	1	1	
3-18	90001-0512-01	BOLT	螺栓	3	1	
3-19	30023-Y030120-0000	STOPPER, MOTOR RIGHT COVER	电机右盖挡块	1	1	

FIG. 4 CRANKSHAFT ASSY. 曲轴 (E03)

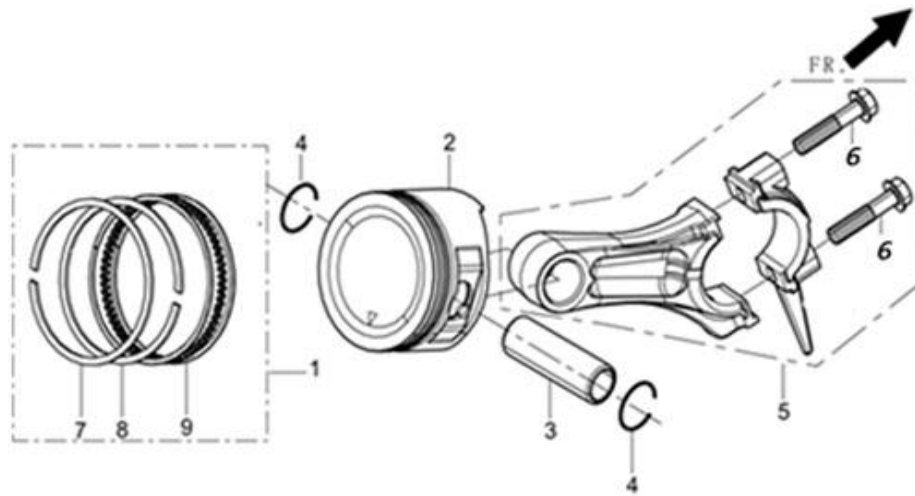
图4:曲轴 (E03)



REF. NO	物料代码	DESCRIPTION	名称	Q' TY数量	包装数	价格
4-1	13300-Z100110-0000	CRANKSHAFT ASSY.	曲轴部件	1	1	
4-2	90547-0207-00	BEARING	深沟球轴承-P53	1	1	
4-4	13401-Z100110-0000	WEIGHT, BALANCER	平衡轴	1	1	

FIG. 5 PISTON/CONNECTING ROD (E03)

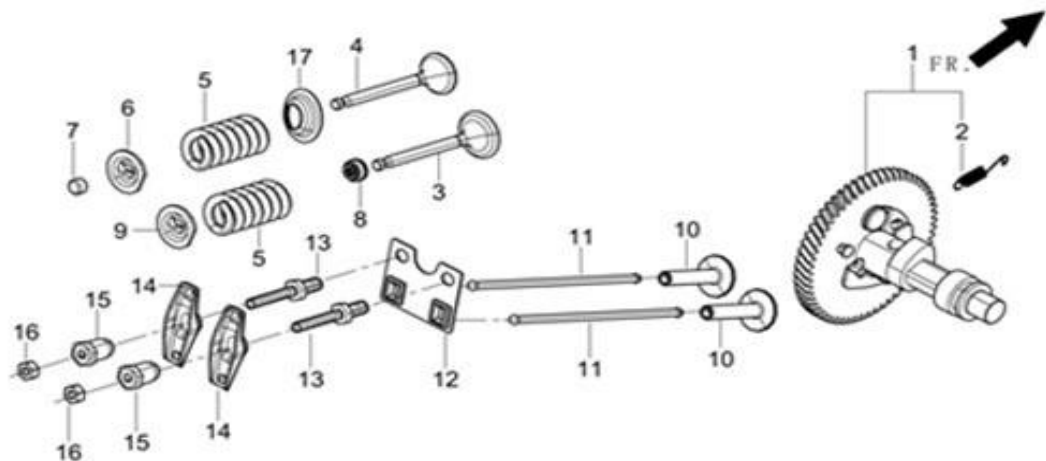
图5:活塞、连杆组件 (E03)



REF. NO	物料代码	DESCRIPTION	名称	Q' TY数量	包装数	价格
5-2	13111-Z100110-0000	PISTON	活塞	1	1	
5-3	13121-Z100110-0000	PIN, PISTON	活塞销	1	1	
5-4	13122-Z100110-0000	CLIP, PISTON PIN	活塞销卡圈	2	10	
5-5	13010-Z100110-0000	ROD, CONNECTING	连杆	1	1	
5-7	13201-Z100110-0000	RING, THE FIRST	一环	1	1	
5-8	13202-Z100110-0000	RING, THE SECOND	二环	1	1	
5-9	13210-Z100110-0000	RING SET, OIL	油环组合	1	1	

FIG. 6 CAMSHAFT ASSY. (E05)

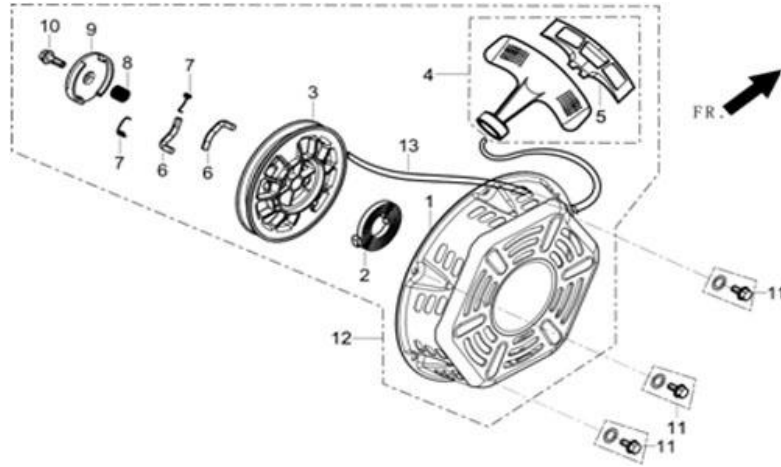
图6: 凸轮轴、气门组合 (E05)



REF. NO	物料代码	DESCRIPTION	名称	Q' TY数量	包装数	价格
6-1	14200-Z100110-0000	CAMSHAFT ASSY.	凸轮轴部件	1	1	
6-3	12111-Z100110-0000	VALVE, INTAKE	进气门	1	1	
6-4	12121-Z100110-0000	VALVE, EXHAUST	排气门	1	1	
6-5	12103-Z080110-0000	SPRING, VALVE	气门弹簧	2	1	
6-6	12107-Z080110-0000	RETAINER, EXHAUST VALVE	排气门弹簧座	1	1	
6-7	12104-Z080110-0000	RATATOR, VALVE	气门调整帽	1	1	
6-8	12101-Z080110-0000	GUIDE, SEAL	挡油罩	1	1	
6-9	12112-Z080110-0000	RETAINER, VALVE SPRING	气门弹簧座	1	1	
6-10	14081-Z080110-0000	LIFTER, VALVE	气门挺柱	2	1	
6-11	14070-Z100110-0000	TAPPET, VALVE	气门挺杆组合	2	1	
6-12	14090-Z080110-0000	PLATE SUBASSEMBLY, LIFTER STOPPER	挺杆限位板组合	1	1	
6-13	14313-Z010110-0000	BOLT, ROCKER SHAFT	摇臂轴螺栓	2	1	
6-14	14311-Z080110-0000	ROCKER, VALVE	气门摇臂	2	1	
6-15	14314-Z010110-0000	NUT, VALVE ADJUSTING	气门调节螺母	2	1	
6-16	14312-Z010110-0000	NUT, VALVE LOCK	气门锁紧螺母	2	1	
6-17	12105-Z080110-0000	RETAINER, VALVE SPRING	气门弹簧座圈	1	1	

FIG. 7 STARTER 起动机 (E08)

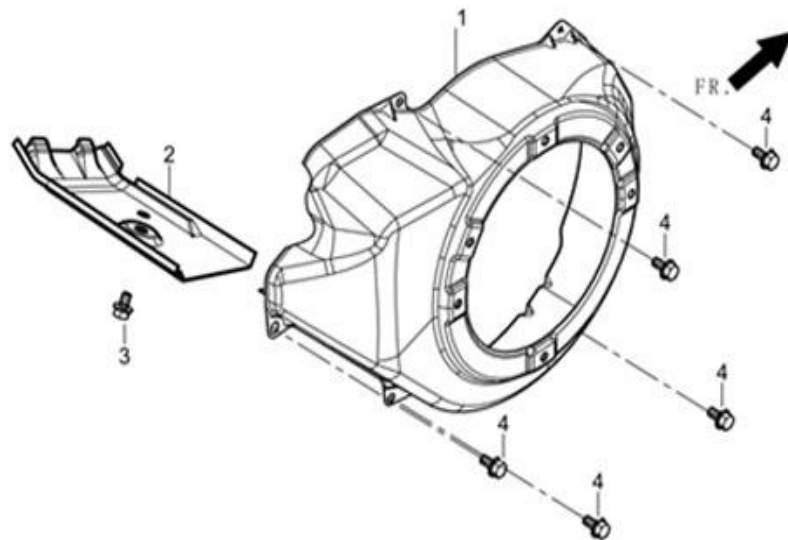
图7: 起动机 (E08)



REF. NO	物料代码	DESCRIPTION	名称	Q' TY数量	包装数	价格
7-11	90251-0608-01	WASHER ASSEMBLY, BOLT AND FLAT	螺栓和平垫圈组合件	3	1	
7-12	28200-Z310110-H300	STARTER ASSY, RECOIL	手起动机部件(亚黑)	1	1	

FIG. 8 SHROUD (E14)

图8: 导流罩 (E14)

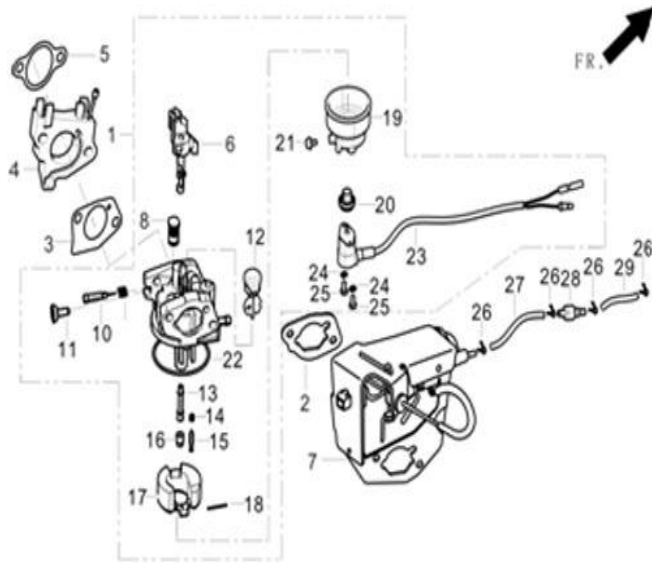


REF. NO	物料代码	DESCRIPTION	名称	Q' TY数量	包装数	价格
8-1	28110-Z310110-Y100	SHROUD	导风罩(哑光黄)	1	1	
8-2	19304-Z100110-0000	SHROUD, CYLINDER BODY	缸体导风罩	1	1	
8-3	90001-0612-01	BOLT	螺栓	1	1	
8-4	90001-0612-03	BOLT	六角法兰面螺栓-小系列	5	1	

FIG. 9 CARBURETOR ASSY. (E11)

图9:化油器 (E11)



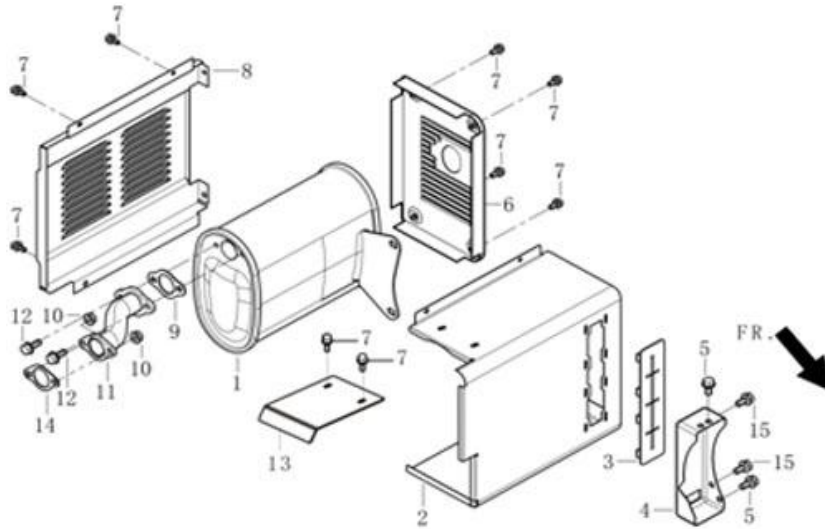


REF. NO	物料代码	DESCRIPTION	名称	Q' TY数量	包装数	价格
9-1	16100-Z100310-0000	CARBURETOR ASSY.	化油器部件	1	1	
9-2	17001-Z080110-0000	GASKET, AIR CLEANER	空滤器密封垫	1	5	
9-3	16001-Z100110-0000	GASKET, CARBURETOR	化油器密封垫	1	5	
9-4	16003-Z100210-0000	PLATE, CARBURETOR INSULATOR	化油器隔热板	1	1	
9-5	17002-Z100110-0000	GASKET, INLET	进气口密封垫	1	5	
9-7	16900-Z100110-0000	CHOKE SUBASSEMBLY	阻风门控制部件	1	1	
9-26	<b>90740-Z010210-0000</b>	COLLAR	卡箍	4	1	
9-28	15150-Z080110-0000	VALVE, DASHPOT CHECK	单向阀	1	1	

FIG. 10 AIR CLEANER (F02)

图10: 空滤器 (F02)

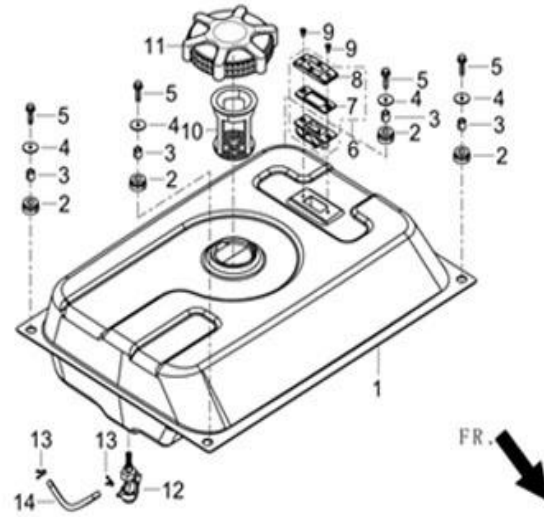




REF. NO	物料代码	DESCRIPTION	名称	Q' TY数量	包装数	价格
11-1	18100-Y030110-0000	MUFFLER ASSY.	消声器部件	1	1	
11-2	18003HY030110-H300	COVER, MUFFLER INNER(BLACK)	消声器内罩(亚黑)	1	1	
11-3	18005-Y030120-0000	CUSHION, MUFFLER	消声器内罩隔热胶垫	1	1	
11-4	18030-Y030110-0000	BRACKE, MUFFLER MUFFLER	消声器支架	1	1	
11-5	90001-0816-01	BOLT	六角法兰面螺栓-小系列	2	1	
11-6	18002-Y030110-H300	COVER, MUFFLER SIDE(BLACK)	消声器边罩(亚黑)	1	1	
11-7	90007-0612-A3	BOLT	六角法兰面螺栓-加大系列-B级	9	1	
11-8	18130-Y030110-H300	COVER, MUFFLER OUTER(BLACK)	消声器外罩(亚黑)	1	1	
11-9	18001-Z080110-0000	GASKET, EXHAUST OUTLET	排气口密封垫	2	5	
11-10	90303-0800-33	NUT	1型六角螺母	2	1	
11-11	18150-Z100210-0000	PIPE, EXHAUST	排气管	1	1	
11-12	90001-0830-03	BOLT	六角法兰面螺栓-小系列	2	1	
11-13	18105-Y030110-H300	PLATE, INNER COVER GUIDE	内罩导风板(亚黑)	1	1	
11-14	18101-Z080110-0000	GASKET, MUFFLER	消声器密封垫	1	1	
11-15	90001-0816-03	BOLT	六角法兰面螺栓-小系列	2	1	

FIG. 12 TANK, FUEL (F01)

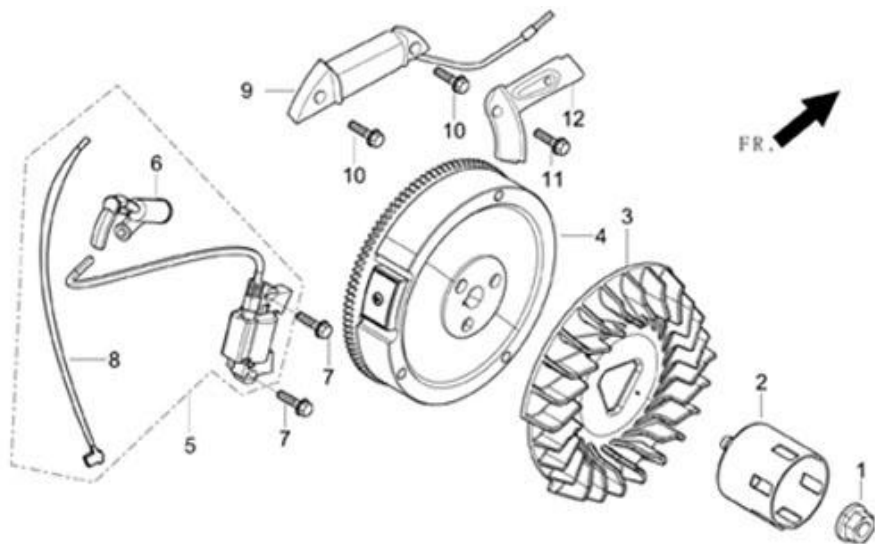
图12: 油箱 (F01)



REF. NO	物料代码	DESCRIPTION	名称	Q' TY数量	包装数	价格
12-1	16620-Y030110-Y100	TANK, FUEL	油箱	1	1	
12-2	16601-Y020120-0000	SLEEVE, FUEL TANK RUBBER	油箱支撑胶套	4	1	
12-3	90683-Y020110-0000	BUSH	衬套	4	1	
12-4	90408-Y020110-0000	WASHER	垫圈	4	1	
12-5	90007-0625-A3	BOLT	螺栓	4	1	
12-6	37200-Y020120-H300	LEVELER ASSY, OIL	油标部件 (亚黑)	1	1	
12-9	90104-0512-53	SCREW	螺钉	1	1	
12-10	16652-Y020120-0000	STRAINER, FUEL	燃油滤网	1	1	
12-11	16730-Y020130-0300	COVER, FUEL TANK	油箱盖 (镀黑锌)	1	1	
12-12	16750-Y020110-0000	COCK ASSY, FUEL	油开关部件	1	1	
12-13	90740-Z010210-0000	COLLAR	卡箍	2	1	
12-14	90686-Z080410-0000	TUBE, FUEL	油管	1	1	

FIG. 13 FLYWHEEL SUBASSEMBLY (E15)

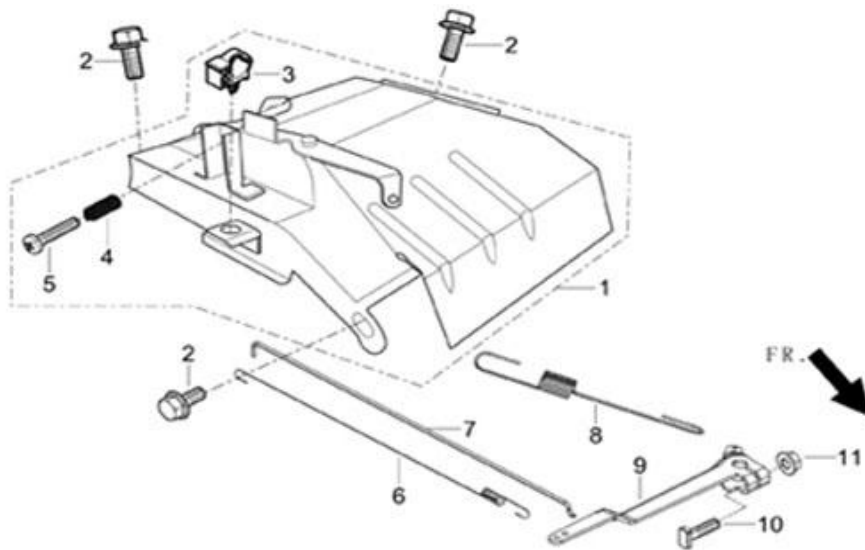
图13飞轮组合 (E15)



REF. NO	物料代码	DESCRIPTION	名称	Q' TY数量	包装数	价格
13-1	13501-Z080110-0000	NUT, FLYWHEEL	飞轮螺母	1	1	
13-2	28002-Z100120-0000	PULLEY, STARTER	起动杯	1	1	
13-3	19352-Z100110-0000	IMPELLER	叶轮	1	1	
13-4	13510-Z170110-0000	FLYWHEEL SUBASSEMBLY	飞轮组合	1	1	
13-5	30400-Z080110-0000	COIL, IGNITION	点火线圈	1	1	
13-7	90001-0628-01	BOLT	六角法兰面螺栓-小系列	2	1	
13-9	30140-Z160210-0000	COIL SUBASSEMBLY, CHARGE	充电线圈组合	1	1	
13-10	90001-0628-01	BOLT	六角法兰面螺栓-小系列	2	1	
13-11	90001-0610-01	BOLT	六角法兰面螺栓-小系列	2	1	
13-12	30001-Z170110-0000	CLAMP, CHARGE COIL	充电线圈压板	1	1	

FIG. 14 CONTORL ASSY. (E13)

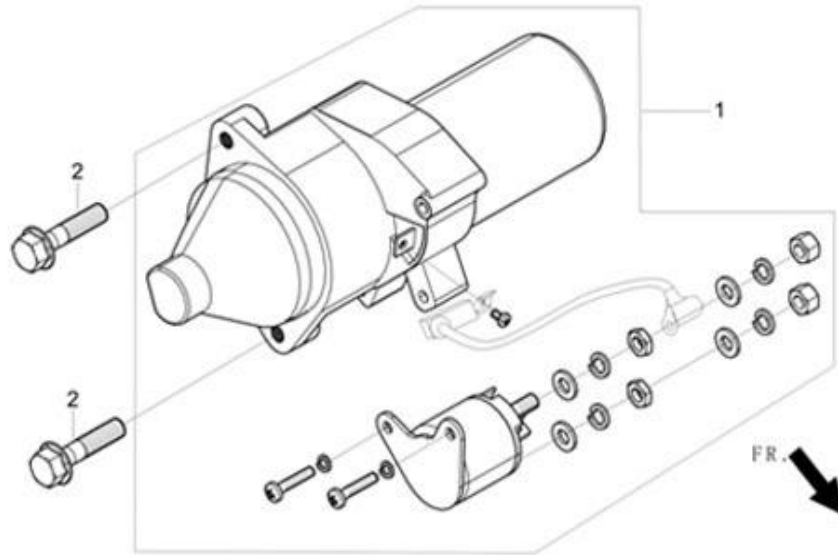
图14:调速器 (E13)



REF. NO	物料代码	DESCRIPTION	名称	Q' TY数量	包装数	价格
14-1	16520-Z100210-0000	CONTROL ASSY, THROTTLE	油门操纵组合	1	1	
14-2	<b>90001-0612-01</b>	BOLT	螺栓	3	1	
14-6	16012-Z080110-0000	SPRING, THROTTLE VALVE RETURNING	节气门复位弹簧	1	1	
14-7	16062-Z100110-0000	ROD, GOVERNOR	调速拉杆	1	1	
14-8	16063-Z100210-0000	SPRING, GOVERNOR	调速弹簧	1	1	
14-9	16070-Z100110-0000	SUPPORT SUBASSEMBLY, GOVERNOR	调速支架组合	1	1	
14-10	16072-Z010110-0000	BOLT, GOVERNOR SUPPORT	调速支架固定螺栓	1	1	
14-11	90305-0600-31	NUT	六角法兰面螺母	1	1	

FIG. 15 MOTOR ASSY, STARTING. (E15)

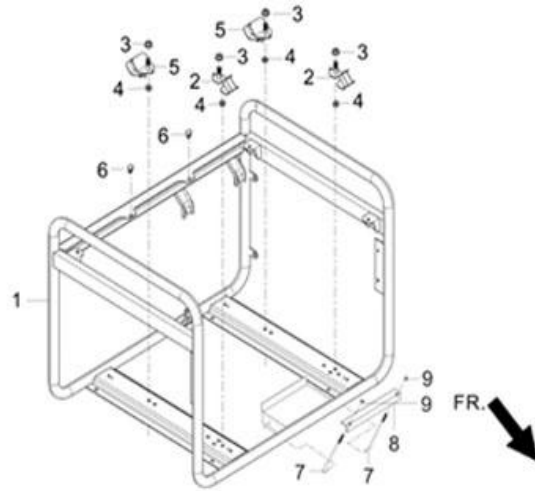
图15:起动电机部件 (E15)



REF. NO	物料代码	DESCRIPTION	名称	Q' TY数量	包装数	价格
15-1	09000-Z170110-0000	MOTOR ASSY, STARTING	起动电机组件	1	1	
15-2	90001-0835-01	BOLT	六角法兰面螺栓	2	1	

FIG. 16 FRAME, ENGINE (F61)

图16:机架组件 (F61)

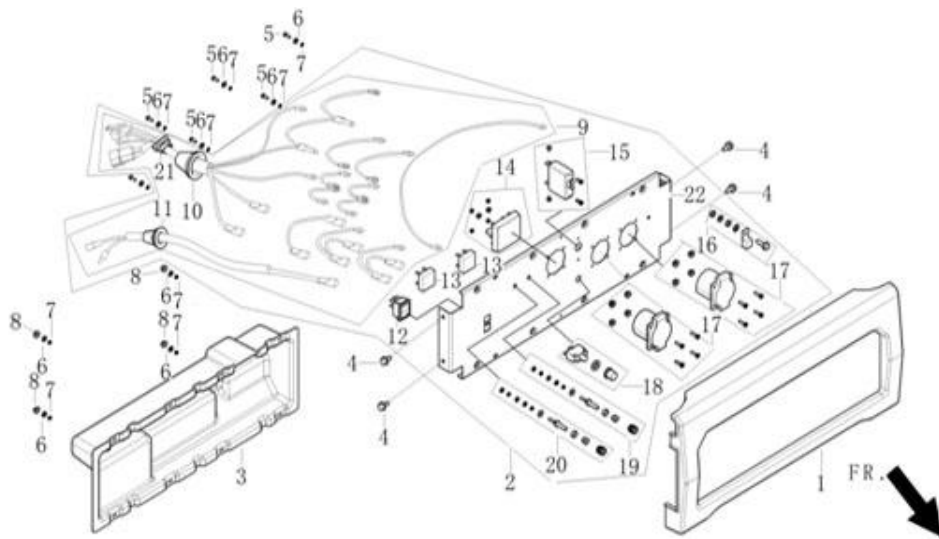


REF. NO	物料代码	DESCRIPTION	名称	Q' TY数量	包装数	价格
16-1	51100-Y030130-QC00	FRAME ASSY, ENGINE (BLACK)	机架部件 (电泳漆 黑)	1	1	
16-2	51005HY030120-0000	CUSHION, ENGINE FRAME	机架减震垫	2	1	
16-3	90306-1000-31	NUT	螺母	4	1	
16-4	90305-0800-31	NUT	螺母	4	1	
16-5	51012HY030120-0000	CUSHION, ENGINE FRAME REAR	机架后减震垫	2	1	
16-6	16602-Y020130-0000	GASKET, FUEL TANK RUBBER	油箱减震胶垫	2	1	
16-7	31151-Y030120-0000	BOLT, BATTERY FIXING	蓄电池固定螺栓	2	1	
16-8	31142-Y030120-QC00	CLAMP, BATTERY	蓄电池压板 (电泳漆 黑)	1	1	
16-9	90305-0600-33	NUT	六角法兰面螺母	2	1	

FIG. 17 PANEL SUBASSEMBLY, CONTROL (F62)

图17:控制面板组件 (F62)

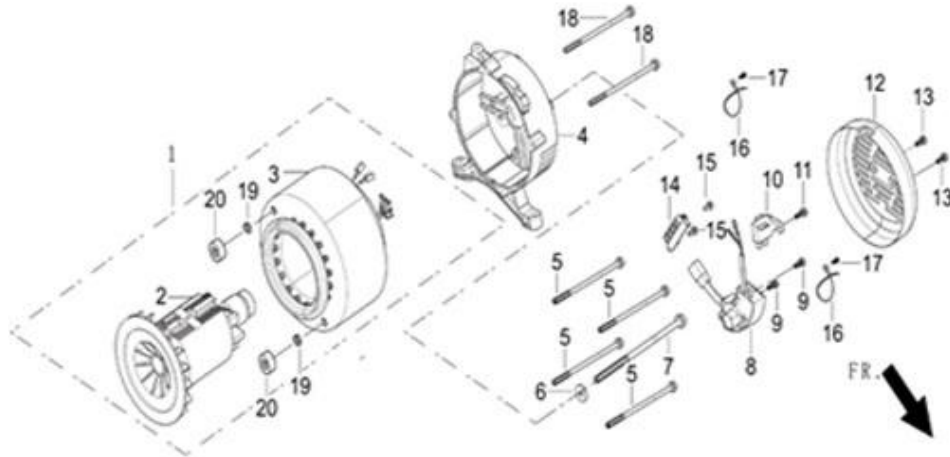




REF. NO	物料代码	DESCRIPTION	名称	Q' TY数量	包装数	价格
17-1	35680-Y030120-Q200	SEAT, PANEL (BLACK)	面板座 (黑色)	1	1	
17-2	35610-Y030110-Y100	PANEL SUBASSEMBLY, CONTROL	控制面板组合 (哑光黄)	1	1	
17-3	35601-Y030120-Q200	CASE, PANEL REAR (BLACK)	面板后罩壳 (黑色)	1	1	
17-4	90007-0612-A3	BOLT	螺栓	4	1	
17-5	90106-0410-51	SCREW	十字槽小盘头螺钉	6	1	
17-6	90403-0400-01	WASHER	标准型弹簧垫圈	10	1	
17-7	90408-0400-E1	WASHER	平垫圈-A级	10	1	
17-8	90305-0400-71	NUT	六角法兰面螺母	4	1	
17-12	35160-Y030110-0000	SWITCH SUBASSEMBLY (BLACK)	开关组合件 (黑色)	1	1	
17-13	35621-Y020110-0000	SOCKET SUBASSEMBLY, POWER SUPPLY	整流桥	2	1	
17-14	37114-Y020110-0000	VOLTMETER	电压表	1	1	
17-15	35645-Y030110-0000	BREAKER (BLACK)	单极断路器	1	1	
17-17	35614-Y020110-0000	SOCKET SUBASSEMBLY, POWER SUPPLY (BLACK)	电源插座组合 (黑色)	2	1	
17-18	35634-Y020110-0000	TERMINAL, NEGATIVE ELECTRODE	负极接线柱	1	1	
17-19	35633-Y020110-0000	TERMINAL, POSITIVE ELECTRODE	正极接线柱	1	1	
17-20	31234-Y020110-0000	PROTECTOR, OVERCURRENT	过流保护器	1	1	

FIG. 18 ROTOR/STATOR (F63)

图18: 电机组件 (F63)



REF. NO	物料代码	DESCRIPTION	名称	Q' TY数量	包装数	价格
18-1	31300-Y030120-0000	MOTOR ASSY	电机部件	1	1	
18-4	30021-Y030110-0000	BRACKET, MOTOR	电机支架	1	1	
18-5	30048-Y030120-0000	BOLT	定子螺栓	4	1	
18-6	90408-Y030110-0000	WASHER	垫圈	1	1	
18-7	30049-Y030120-0000	BOLT	转子螺栓	1	1	
18-8	30060-Y030120-0000	REGULATOR, VOLTAGE	调压器	1	1	
18-9	90001-0514-01	BOLT	螺栓	2	1	
18-10	31320-Y030120-0000	BRUSH SUBASSEMBLY, CARBON	碳刷组合	1	1	
18-11	90001-0516-01	BOLT	螺栓	1	1	
18-12	30022-Y030110-Y100	COVER, MOTOR TAIL (YELLOW)	电机尾盖(黄色)	1	1	
18-13	90001-0512-03	BOLT	螺栓	2	1	
18-14	31303HY020110-0000	BLOCK, TERMINAL	接线板	1	1	
18-15	90001-0514-01	BOLT	螺栓	2	1	
18-16	90727-Y020110-0000	BAND	扎带	2	1	
18-17	90001-0514-01	BOLT	螺栓	2	1	
18-18	31316-Y030130-0000	BOLT	定子固定螺栓	2	1	







备注

--

备注
----

--

--

--

--

--

--

--

--

--

--















--

备注

--

--

--

--

--

--

--

--

--

--

--

--

--

--

--

备注

--





备注





备注
CJT/12V/8脚/带灯
KBPC2510
MU-45/ (0-300V) 2.5级
BSBT-
20/22A/250V/黑色手柄式
欧式/16A /250V
JXZ-2 (2) Q2
JXZ-2 (2) Q1
88系列/10A/125/250V黑巴、 按钮式

