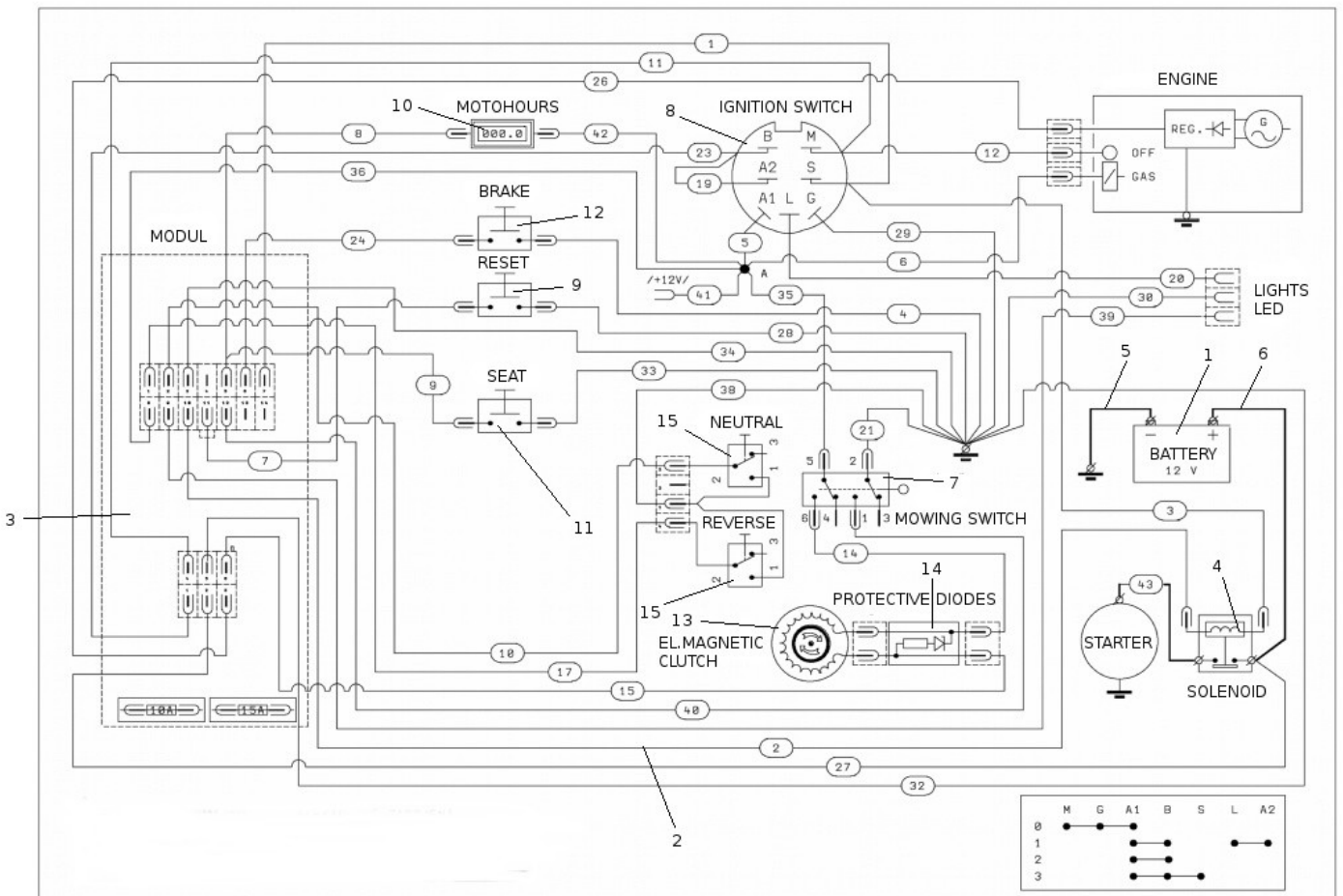


Katalog : KAB3F-19-0001

Skupina : KAB01-17-0001 Rapido Caiman Green Engine - AB107

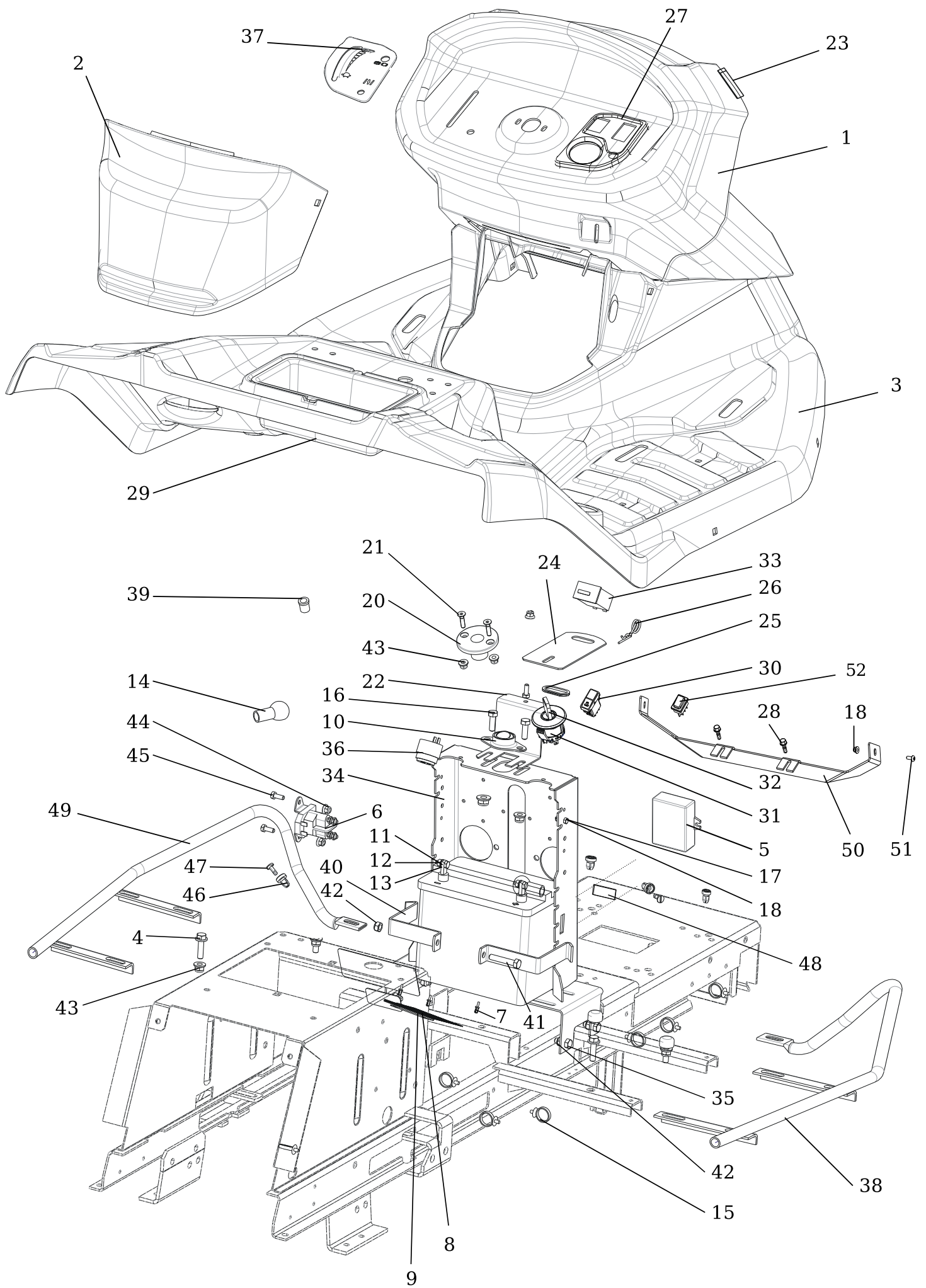
Pos.	Qty.	Pol.	Descript
1	1	N482349031	Caiman Green engine
2	4	N309503544	Screw M 8X40
3	1	N443900129	Exhaust Nelson 24500 N-20 V-twin
4	4	N311214502	Washer 8
5	4	N532150290	Nut M 8 DIN 6926 8 Zinc
6	1	N311726101	Key 0-9231-213
7	2	N283292223	Label 0-8732-337
8	1	N532980071	HOOK 0-9242-240
9	2	N309578540	Screw M 8x25 DIN 7500 D
10	1	S532085422143	Exhaust cover AJ V2
11	4	N309503518	Screw M8X20
12	1	N532151253	Hose with cap
13	1	N532151254	Reducer to engine
14	1	N000443006	Throttle lever 9-8071-221 GAR-001
15	1	N443900138	Throttle lever 0-8060-239
16	1	N309231535	Screw M 4X14 021131.25
17	1	N311129514	Nut M4
18	1	S532080302873	Reinforcement
19	4	N309251515	Screw M 5X16
20	4	N311129515	Nut M5
21	1	N443612011	Choke MK01 9-8074-277
22	1	S532927442463	Tube left Loncin 22/NJ, AJ
23	1	S532927442473	Tube right Loncin 22/NJ, AJ
24	1	S532113405013	Holder
25	4	N309578517	SCREW M 6X16 DIN 7500D BN 3326
26	1	S532085415743	Cover
27	1	N532150439	Engine pulley 9-3325-267
28	6	N309503508	Screw M6X16
29	6	N311214501	Washer 6
30	6	N311210502	Washer 6.4



Katalog : KAB3F-19-0001

Skupina : KAB13-15-0001 Electricall installation AB107

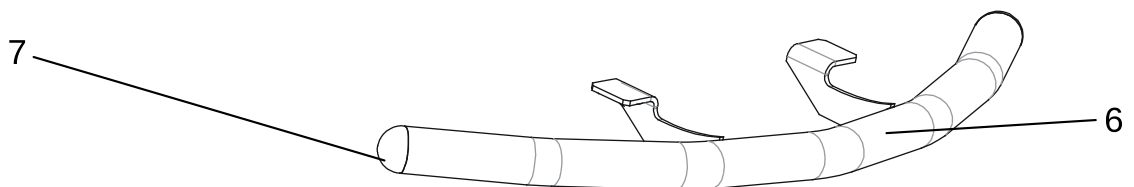
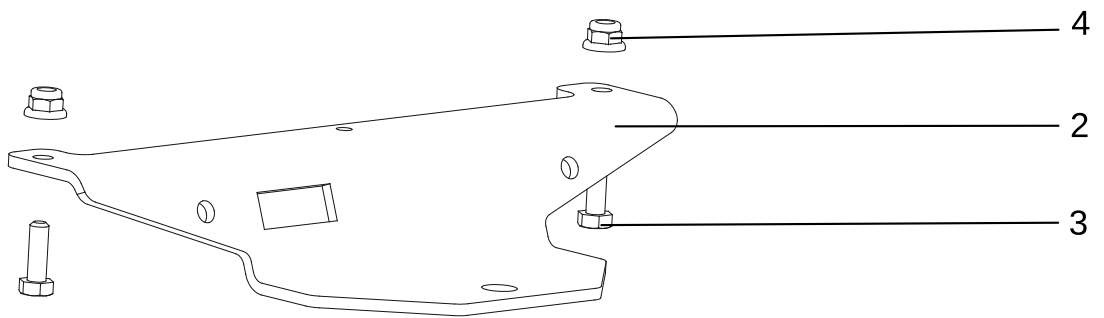
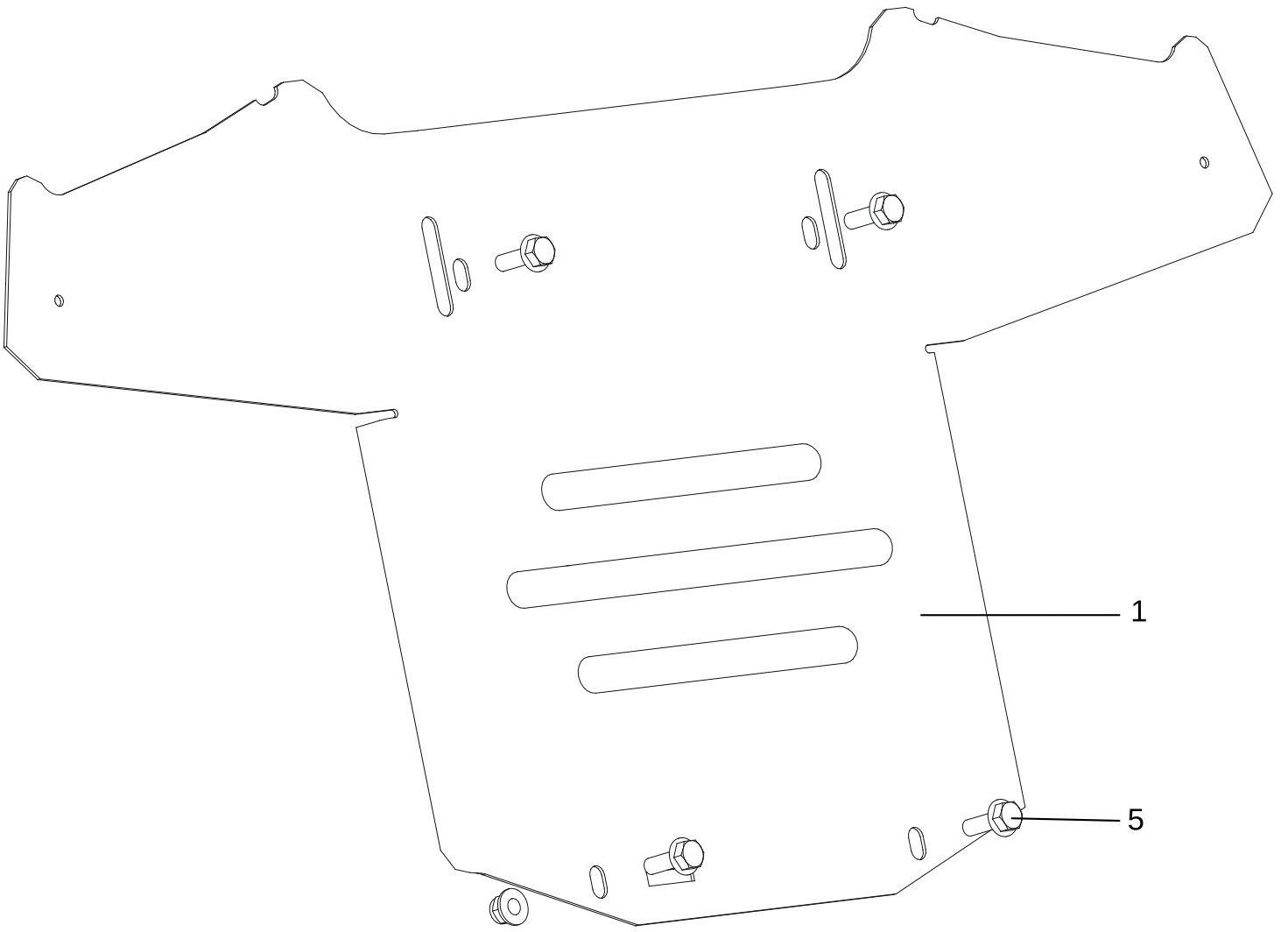
Pos.	Qty.	Pol.	Descript
1	1,00	N346211006	Battery 12V-24Ah dry,charged
1	1,00	N443433003	Hour-meter SEN DEC DIGITAL
2	1,00	N341271197	Wiring harness KS 004084
3	1,00	N341271187	Module KS 004062 AJ06/14
4	1,00	N532151619	Solenoid Trombetta 764-1221-210
5	1,00	N341271021	Cable 9-8316-570
6	1,00	N341271172	Cable 9-8316-624 solenoid+battery
7	1,00	N345329023	Switch VDD2S001 9ZZCR 100
8	1,00	N443861007	Switch box Delta 6900-47 P
9	1,00	N345329025	Switch 1932.3413
11	1,00	N345359005	Microswitch 6520 Delta
12	1,00	N532150994	Switch DELTA 6700-01B
13	1,00	N532151196	Elmag. clutch I-5217-38
14	1,00	N341271052	Protective diodes harness 9-8316-
15	2,00	N345359004	Microswitch MKH 12 D 13-S1



Katalog : KAB3F-19-0001

Skupina : KAB15-19-0001 AB107 Dashboard RAL6029

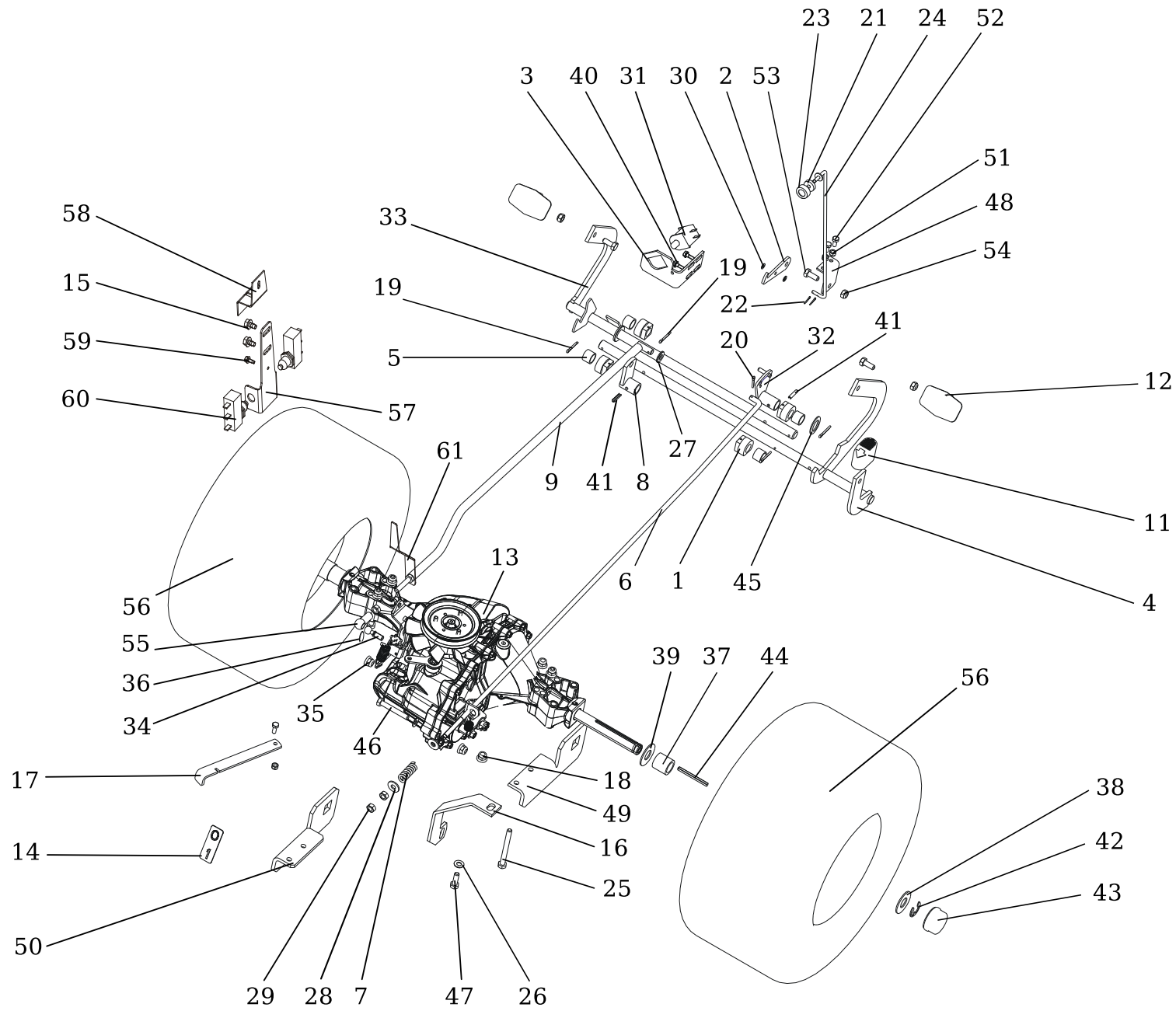
Pos.	Qty.	Pol.	Descript
1	1,00	N532151584	Panel 0-8048-351 model 2017
2	1,00	N532151613	Battery cover 0-8547-236 AJ
3	1,00	N532151584	Panel 0-8048-351 model 2017
4	4,00	N309578012	Screw M 8X30 DIN 6921 8.8 Zinc
5	1,00	N341271187	Module KS 004062 AJ06/14
6	1,00	N532151619	Solenoid Trombetta 764-1221-210
7	2,00	N532151116	Rivet 282702
8	1,00	N283292228	Label 0-8732-336
9	1,00	N283292159	Label 0-8732-251 Slope
10	1,00	N324196022	Ball BEARING FL M12
11	4,00	N309503548	Screw M 6X20
12	2,00	N311210502	Washer 6.4
13	2,00	N311129513	Nut M 6
14	2,00	N273125006	Cover 273 125 020 050
15	9,00	N532150211	Clip WSBH 1-0-1
16	2,00	N309503512	Screw M 8X25
17	1,00	N309203539	Screw M 5X16
18	3,00	N311129524	Nut M 5 DIN 6926 Zinc
19	1,00	NK00000000	Not used in this performance
20	1,00	N321841069	Steering wheel bushing 0-1652-226
21	2,00	N309578503	Screw M 6X25 DIN7991 10.9 Zinc
22	1,00	S532113415583	HOLDER
23	2,00	S532096342193	Braid
24	1,00	S532113404693	Holder
25	1,00	N273121027	Rubber sleeve 22X2
26	1,00	N315238005	Flexible spindle 0-9245-233
27	1,00	N283293257	Label 1-8732-489 Export 2016R
28	2,00	N309315016	Screw ST 6.3x19 DIN7504-K BN1880
29	1,00	N532151194	Case 0-8642-236
30	1,00	N345329023	Switch VDD2S001 9ZZCR 100
31	1,00	N443861007	Switch box Delta 6900-47 P
32	1,00	N443900137	Starting key DELTA 688P-001
33	1,00	N443433003	Hour-meter SEN DEC DIGITAL
34	1,00	S532016422283	Column
35	4,00	N309503517	Screw M 8X16
36	1,00	NK00000000	Not used in this performance
37	1,00	N283293256	Label 1-8732-490 Export 2016 L
38	1,00	S532015422043	Floor reinforcement right
39	1,00	NK00000000	Not used in this performance
40	2,00	S532113425353	BATTERY HOLDER
41	1,00	N309503559	Screw M8x45
42	5,00	N311129501	Nut M 8
43	6,00	N532150290	Nut M 8 DIN 6926 8 Zinc
44	7,00	N311129525	Nut M 6 DIN 6926
45	3,00	N309503508	Screw M6X16
46	6,00	N532150903	Seating D7-201-802-010
47	6,00	N532150904	Pin D7-201-711-010
48	2,00	N321841093	Blind flange G 20X15 (europlast)
49	1,00	S532015422053	Floor reinforcement left
50	1,00	S532113425363	Panel holder
51	2,00	N309578532	Screw M 5x16 ISO 7380 8.8
52	1,00	N345329025	Switch 1932.3413



Katalog : KAB3F-19-0001

Skupina : KAB17-17-0001 Rear board AB107

Pos.	Qty.	Pol.	Descript
1	1,00	S532074422563	Board rear AB Model 2017
2	1,00	S532014422023	Hanger rear AB
3	2,00	N309503512	Screw M 8X25
4	4,00	N532150290	Nut M 8 DIN 6926 8 Zinc
5	4,00	N309503005	Screw M 8X25 KL 100 RIPP V Zinc
6	1,00	S532918452173	Bumper rear AB
7	2,00	N321841091	Convex cap 28X1,5-2



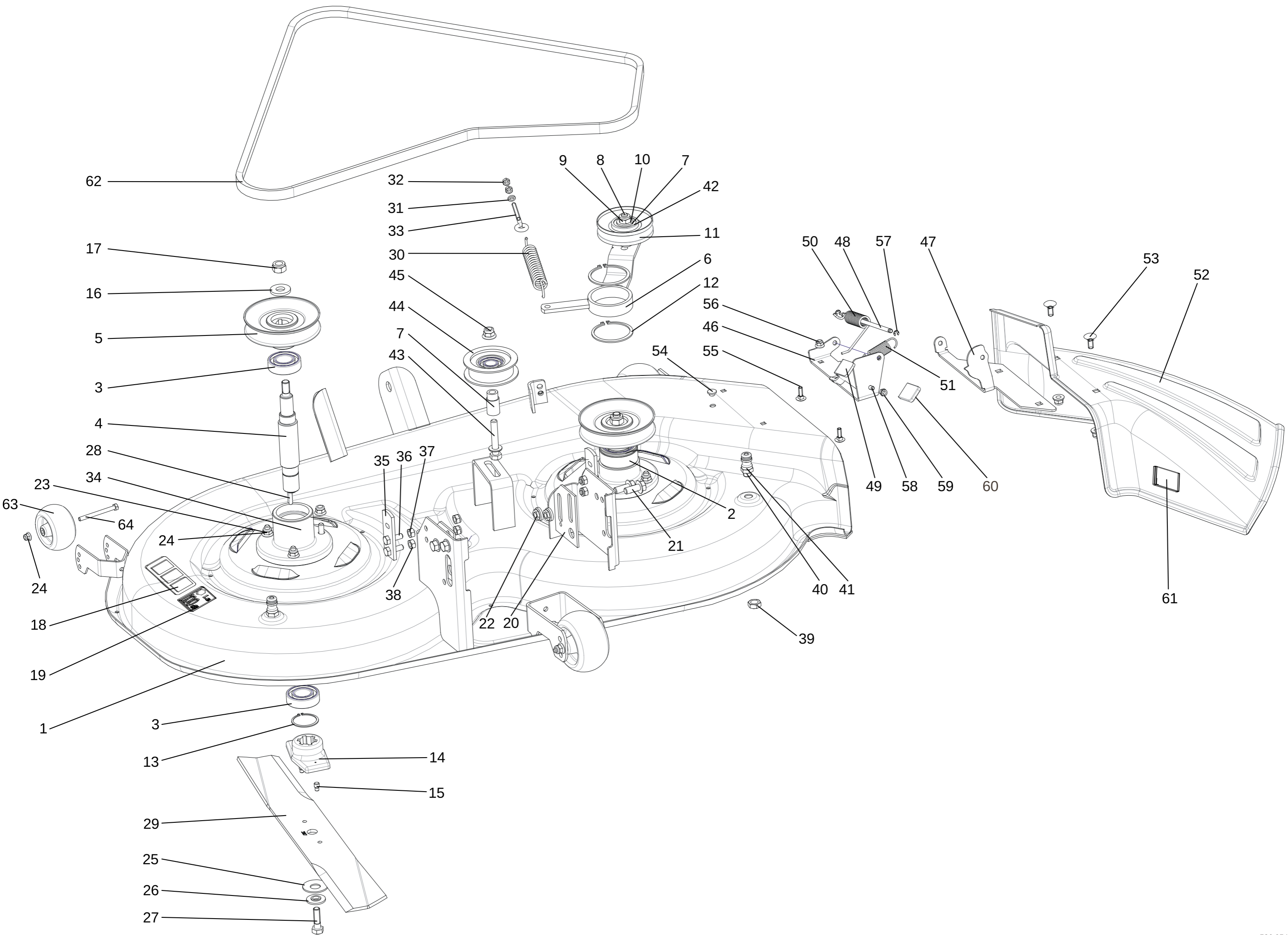
Katalog : KAB3F-19-0001

Skupina : KAB18-17-0002

Drive and brake control AB107

Pos.	Qty.	Pol.	Descript
1	4,00	N722643023	Bushing 0-9462-202
1	1,00	S532037322233	Latch
3	1,00	S532113402293	Switch holder
4	1,00	S532980442613	Travel lever
5	4,00	S532095212883	Pedal spacer
6	1,00	N532151184	Brake control rod 0-8041-327
7	1,00	N315231171	Spring 0-9746-449
8	1,00	S532980364823	Arm complete
9	1,00	S532980422563	Travel tie-rod AB
10	1,00	NK00000000	Not used in this performance
11	1,00	N273151013	Pedal cover 0-8832-234
12	2,00	N532151568	Foot pedal plastic 0-8051-202
13	1,00	N532991065	Transmission HYDRO GEAR T2-C
14	1,00	N283292192	Label 0-8732-311
15	2,00	N309578544	Screw M 5x12 DIN 7500D BN3326
16	1,00	S532113422113	Transmission holder AB (20" wheel
17	1,00	S532080403183	BYPASS ROD
18	6,00	N532150290	Nut M 8 DIN 6926 8 Zinc
19	4,00	N311338517	Spindle 3.2x25
20	1,00	N311338516	Spindle 3.2x20
21	1,00	N273192027	Washer 0-9620-392 T5
22	2,00	N311338513	Spindle 1.6x12
23	1,00	N532150993	Rotary button black Nylon KTSR
24	1,00	N532151186	Parking brake control rod 9-8042-
25	4,00	N309501571	Screw M8x80
26	6,00	N311210503	Washer 8.4
27	1,00	N311210504	Washer 10.5
28	2,00	N311212517	Washer 9 Zinc
29	2,00	N311120520	Nut M 8
30	2,00	N311210501	Washer 5.3
31	1,00	N000532079	Seat switch Delta 6440-04
32	1,00	S532980365393	Foot complete
33	1,00	S532980442583	Brake pedal
34	1,00	N442073017	Spherical pin 13 DIN 71803 C Zinc
35	1,00	N311129520	Nut M8 DIN 6923 8 Zinc. toothed
36	1,00	N442073018	Safety U-strap 13 DIN 71805 S Zin
37	2,00	S532195203773	Spacer
38	4,00	S532092208363	Washer
39	10,00	S532092208153	Washer
40	2,00	N309578545	Screw M 6x10 DIN 7500 D
41	2,00	N315238037	Spring Pin 5X22
42	2,00	N311732023	Lock ring E-75 3/4
43	2,00	N532150915	Cover 0-8025-237
44	2,00	N311726099	Key 0-9231-216
45	2,00	N311210507	Washer 17
46	1,00	N309503556	Screw M5x35
47	1,00	N309503512	Screw M 8X25
48	1,00	S532113408283	Ratchet holder
49	1,00	S532113408303	Right lift holder
50	1,00	S532113408293	Left lift holder
51	3,00	N311129513	Nut M 6
52	3,00	N309503508	Screw M6X16

53	3,00	N309503518	Screw M8X20
54	3,00	N311129501	Nut M 8
55	1,00	N442073016	Ball bushing 13 DIN71805B Zinc
56	2,00	N532940190	Wheel rear 20x10.00-8 Chevron
57	1,00	S532014402173	Switch holder UJ
58	1,00	S532014412013	Neutral-switch cover
59	1,00	N309578507	Screw M 4X8 D 7500 D
60	2,00	N345359004	Microswitch MKH 12 D 13-S1
61	1,00	S532097412053	Reset spring

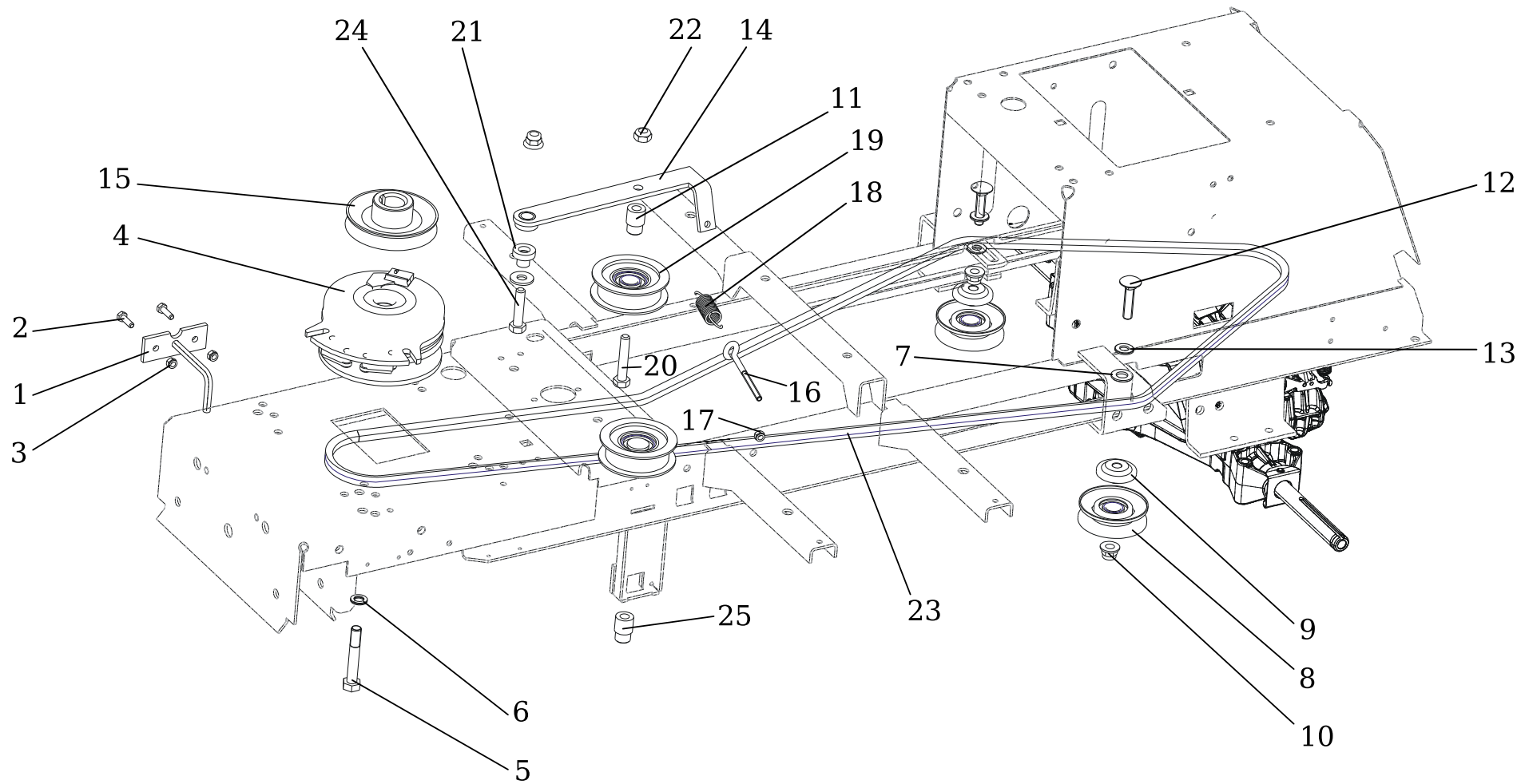


Katalog : KAB3F-19-0001

Skupina : KAB20-16-0001 Mowing unit AB107

Pos.	Qty.	Pol.	Descript
1	1,00	S532950472383	Cutting deck side disch./Emak
2	1,00	S532038523923	Flange
3	4,00	N324162099	Bearing 6205 2 RS C 66IB
4	2,00	S532038128413	Shaft
5	2,00	N532151209	Pulley compl. 9-3325-293
6	1,00	S532913413333	Tension-pulley holder
7	1,00	S532094214173	Bushing
8	1,00	N309503519	Screw M 10X60
9	1,00	N311212521	Washer 11 Zinc
10	1,00	N311129502	Nut M 10
11	1,00	N532150784	Pulley Compensa C-00237/2
12	2,00	N311733032	Safety ring 60
13	2,00	N311733014	Lock ring 25
14	2,00	S532098212403	Flange
15	4,00	S532093117363	Shear pin
16	2,00	S532092207273	Washer
17	2,00	N311129505	Nut M 12
18	1,00	N283292437	Label 0-8732-559 Noise 100 dB
19	2,00	N283292121	Label 0-8730-510
20	2,00	S532014417293	Foot
21	4,00	N309578529	Screw M10X25KL100 Ripp. V. DACROM
22	4,00	N311129522	Nut M10 RIPP KL 10 BN 2798
23	6,00	N309503543	Screw M 8X35
24	11,00	N532150290	Nut M 8 DIN 6926 8 Zinc
25	2,00	N311219503	Washer BN 806-40x16.3x2x3.1
26	2,00	S532092207493	Washer
27	2,00	N309599017	Screw 0-9011-287 M10
28	4,00	N311726091	Key 6E7X6X28
29	2,00	S532050422873	Mowing blade AB
30	1,00	N315231193	Spring 0-9746-460
31	1,00	N311210502	Washer 6.4
32	2,00	N311150504	Nut M6
33	1,00	N309578523	Screw M 6x80 with eye BN1006 Zinc
34	1,00	S532038523933	Flange
35	2,00	S532114327853	Foot
36	1,00	N309503512	Screw M 8X25
37	4,00	N311129501	Nut M 8
38	4,00	N311150503	Nut M 8
39	2,00	N311120511	Nut M 12
40	1,00	N532150533	Quick fastener 0-9026-246
41	1,00	N273111057	Ring 10.78X2.62 NBR 70-SH
42	3,00	S532092208673	Washer
43	1,00	N309503577	Screw M 10X60
44	1,00	N532150733	Pulley plastic BBT B18 337
45	1,00	N311129523	Nut M 10 DIN 6926 Zinc
46	1,00	S532013412013	Steady hinge
47	1,00	S532013412023	Hinge turning
48	1,00	S532093102013	Pin
49	1,00	S532013412033	Latch
50	1,00	N315231271	Spring 0-9746-208 AB
51	1,00	N315231203	Spring 0-9746-472
52	1,00	N532151383	Dischargecover 0-8547-204

53	2,00	N309019501	Screw M 8X20 Zinc
54	1,00	N532151385	Cover 9.3 mm Bariel plug diam
55	2,00	N309019510	Screw M 6x20 Zinc
56	2,00	N311129525	Nut M 6 DIN 6926
57	2,00	N311732001	Lock ring 4
58	1,00	N309503508	Screw M6X16
59	1,00	N311129513	Nut M 6
60	1,00	N532151384	Cover 25x4 L40 Vinyl flex black
61	1,00	N283293188	Label 1-8732-444 Safety AB
62	1,00	N272731221	V-belt 17x1900 Li BBT Kevlar
63	3,00	N532940128	Cutting wheel Etop 100-8,2
64	3,00	N309501567	Screw M 8X90

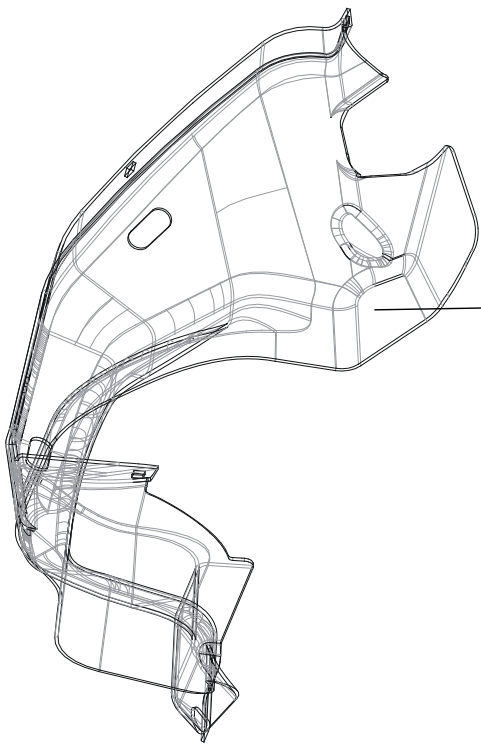


Katalog : KAB3F-19-0001

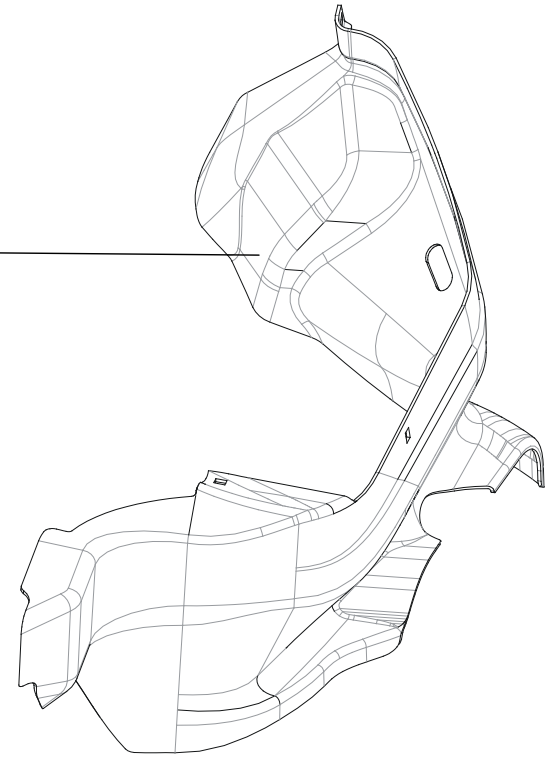
Skupina : KAB22-17-0001

Elm. Clutch and pulleys AB107

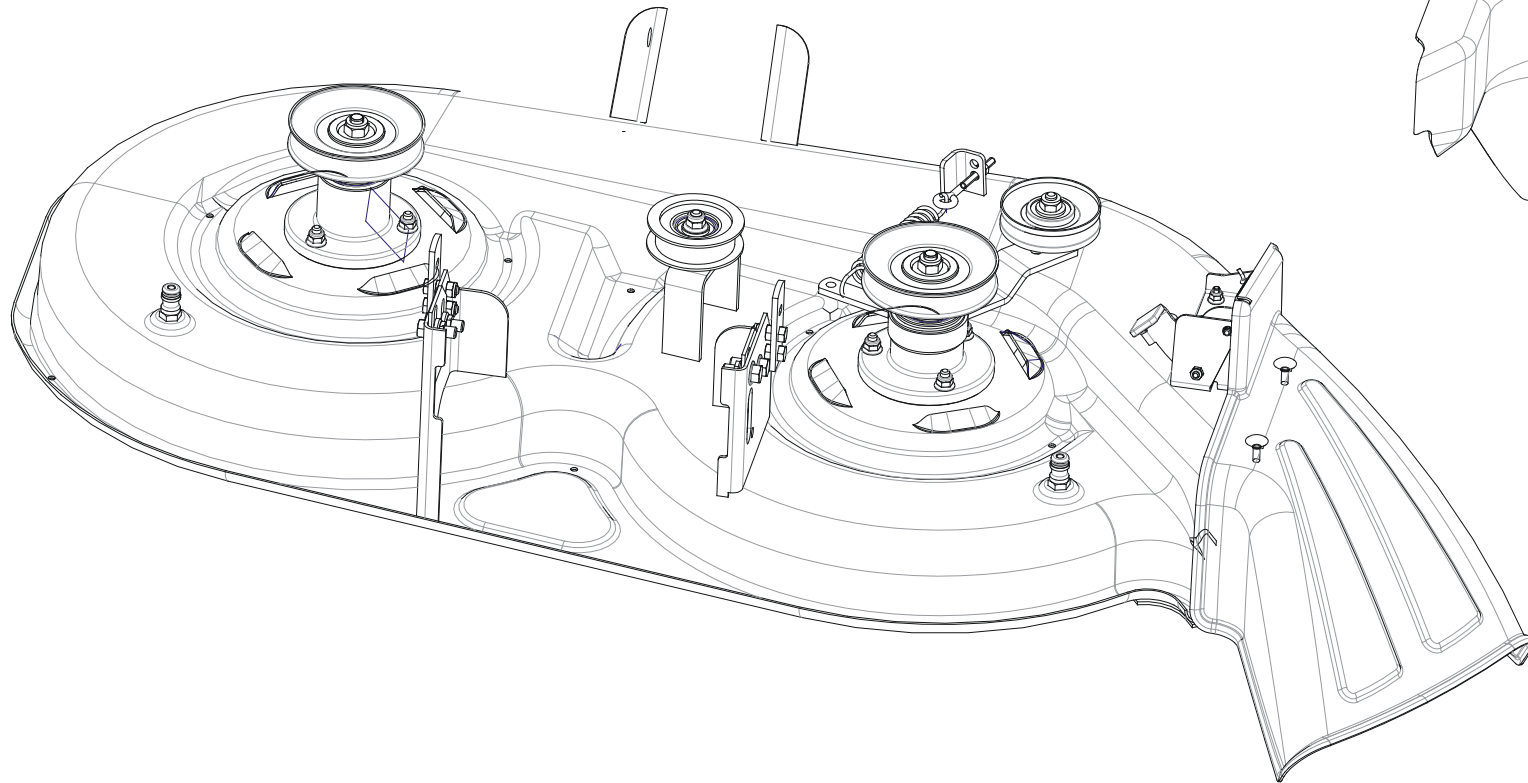
Pos.	Qty.	Pol.	Descript
1	1,00	S532936362263	Clutch stopper
2	2,00	N309503548	Screw M 6X20
3	2,00	N311129525	Nut M 6 DIN 6926
4	1,00	N532151196	Elmag. clutch I-5217-38
5	1,00	N309579511	Screw UNF 7/16"X3" 10.9 ZINK
6	1,00	N311219516	Washer NL 11 glued Dacromet
7	4,00	N311212521	Washer 11 Zinc
8	2,00	N532150824	Pulley Compensa C-00237/1
9	2,00	N532151119	Cover C-00693 Compensa
10	4,00	N311129523	Nut M 10 DIN 6926 Zinc
11	1,00	S532094215953	Case
12	3,00	N309019531	Screw M10X45 021319 Zinc
13	3,00	N311210505	Washer 13
14	1,00	S532913323033	Tension travel holder
15	1,00	N532150439	Engine pulley 9-3325-267
16	1,00	N309578523	Screw M 6x80 with eye BN1006 Zinc
17	1,00	N311129513	Nut M 6
18	1,00	N315231111	Spring TZ 2x14x62 Zinc
19	2,00	N532150733	Pulley plastic BBT B18 337
20	1,00	N309203525	Screw M 10X55
21	1,00	S532094214513	Bushing
22	1,00	N311129502	Nut M 10
23	1,00	N272731252	V-belt VB 13x2620LI Optibelt
24	1,00	N309203544	Screw M 10x45
25	1,00	S532094214533	Tension pulley case



1



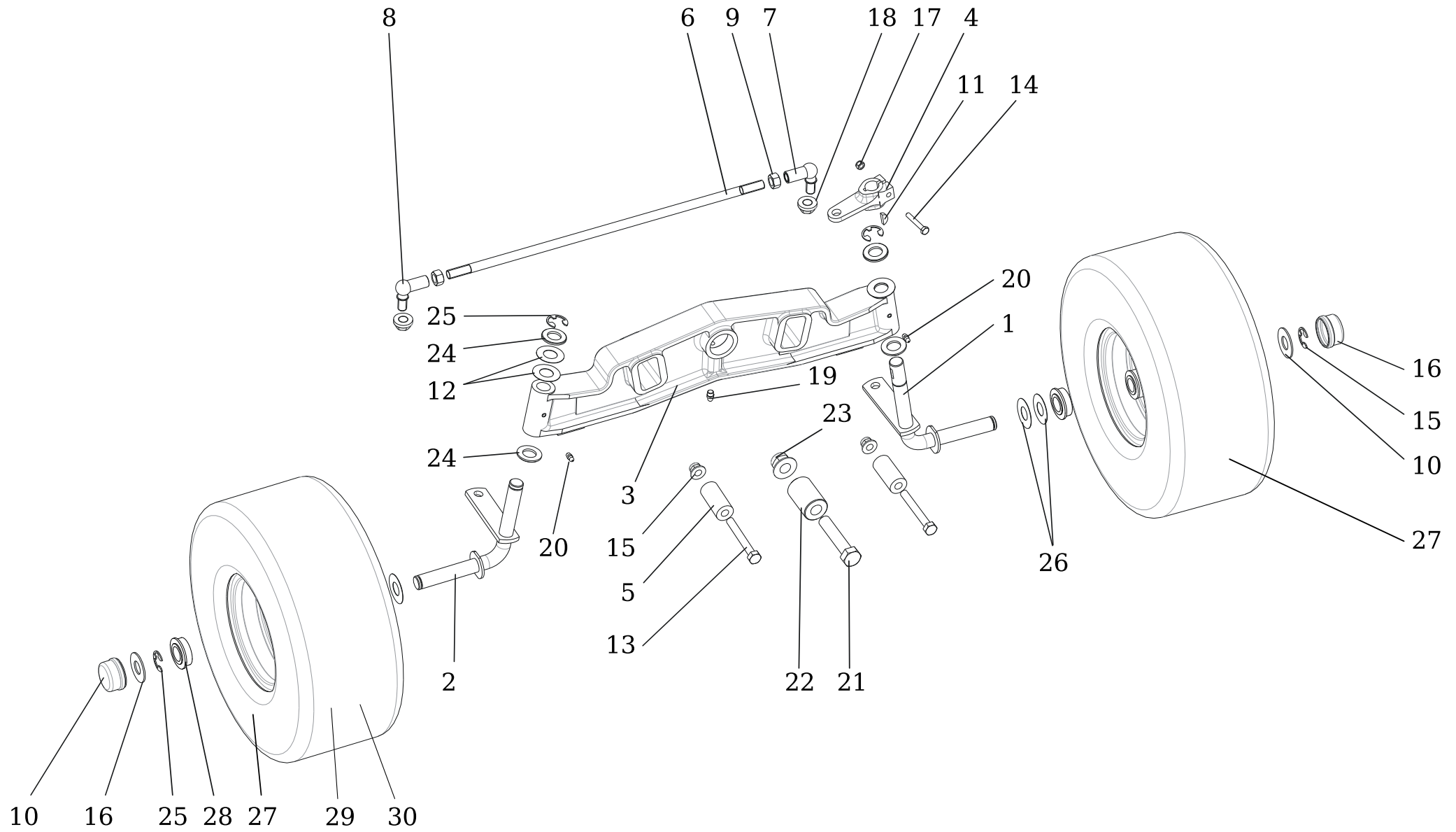
2



Katalog : KAB3F-19-0001

Skupina : KAB23-17-0001 Mowing unit n.2 - covers

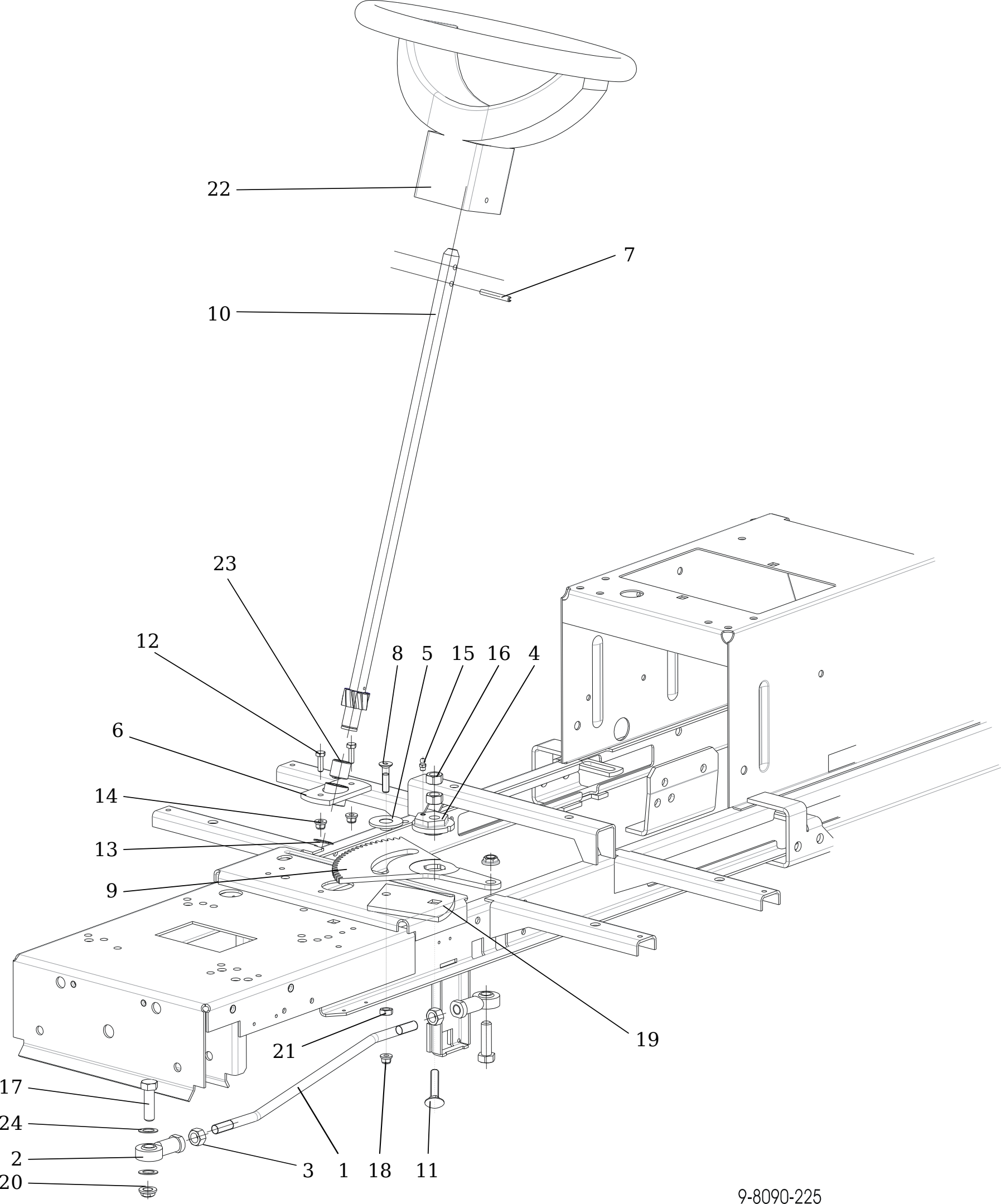
Pos.	Qty.	Pol.	Descript
1	1,00	N532151594	Belt cover 0-8547-233 left AB
2	1,00	N532151595	Belt cover 0-8547-234 right AB



Katalog : KAB3F-19-0001

Skupina : KAJ03-12-0001 Rapido Front axle

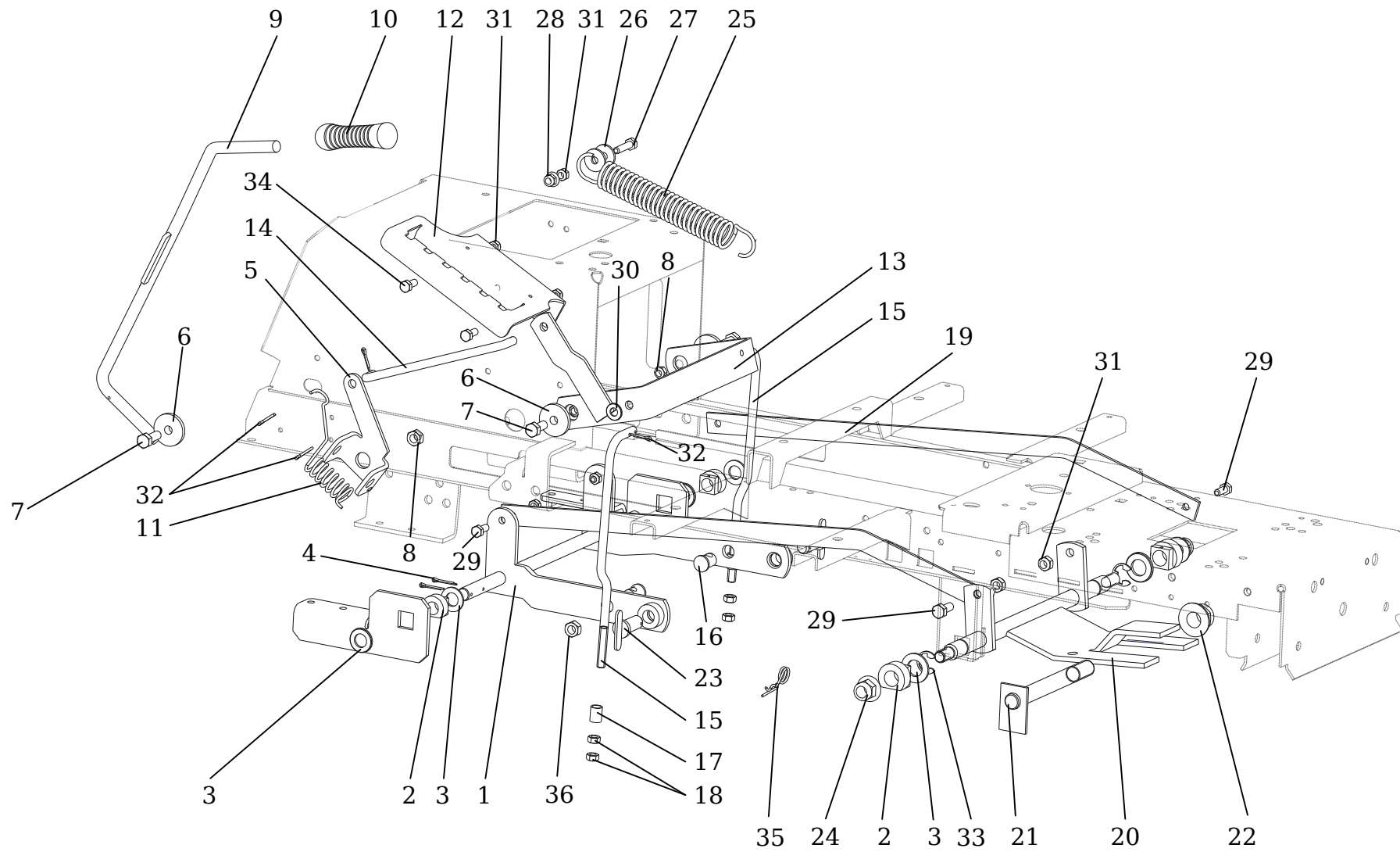
Pos.	Qty.	Pol.	Descript
	2,00	N532940171	Wheel front 15x6.00-6 CHEVRON
1	1,00	S532916432263	Pin left
2	1,00	S532916432273	Pin right
3	1,00	S532016542063	Axle
4	1,00	S532080503603	Lever
5	2,00	S532195203533	Spacer
6	1,00	N532980152	Connecting rod 0-9010-569
7	1,00	N442073020	Angular joint 16 R DIN71802CS M12
8	1,00	N442073019	Angular joint 16 L DIN71802CS M12
9	1,00	N311120539	Nut M12 left
10	2,00	N532150915	Cover 0-8025-237
11	1,00	N311728003	Woodruff key 5e7X7.5
12	4,00	N311210514	Washer 19
13	2,00	N309501527	Screw M 10X80
14	1,00	N309203524	Screw M 6X40
15	1,00	N311129523	Nut M 10 DIN 6926 Zinc
16	2,00	S532092208363	Washer
17	1,00	N311129513	Nut M 6
18	2,00	N311129521	Nut M 12 DIN 6923 8 Zinc. toothed
19	1,00	N425111016	Lubricating head MK 8x1
20	2,00	N425111004	Lubricating head MK 6x1
21	1,00	N309501524	Screw M 8x90
22	1,00	S532093202793	Pin
23	1,00	N311129527	Nut M 16 DIN 6926
24	4,00	S532092208383	Washer
25	4,00	N311732023	Lock ring E-75 3/4
26	6,00	S532092208153	Washer
28	4,00	N324196019	Front wheel bearing 3/4 Compensa
29	2,00	N274161029	Tyre front 15x6.00-6 Chevron
30	2,00	N325111026	Wheel disc front 4.50AX6H2 OTR



Katalog : KAB3F-19-0001

Skupina : KAJ05-18-0002 Rapido Steering

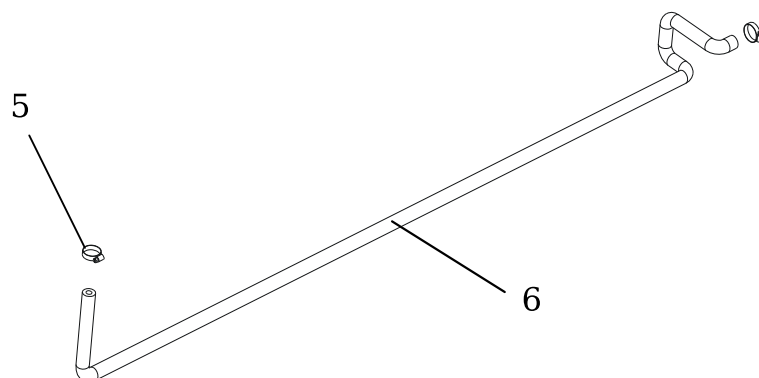
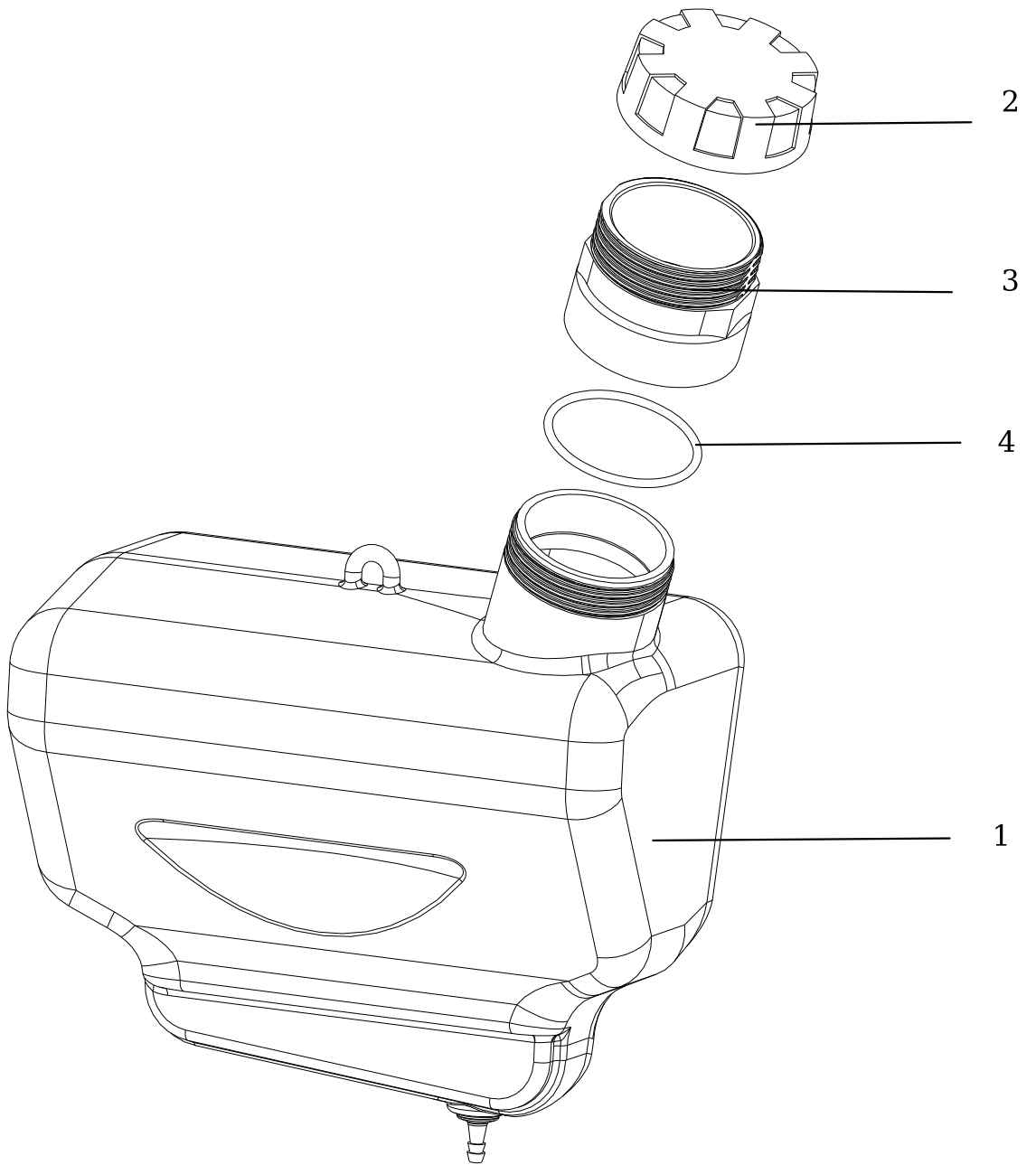
Pos.	Qty.	Pol.	Descript
1	1,00	N532151347	Steering rod 0-8041-338
2	2,00	N442073028	Joint head PHS 12 CN
3	2,00	N311150505	Nut M 12
4	1,00	S532080272033	Eccentric
5	1,00	S532195202593	Spacer
6	1,00	S532938542093	Bearing
7	1,00	N315238031	Spring pin 6x45
8	1,00	N309578534	Screw M 8x35 DIN 7991 10.9 Zinc
9	1,00	S532033322433	Toothed Segment
10	1,00	S532930252123	Pinion compl. AJ92
11	1,00	N309019522	Screw M 12X55.8.8 A3L ISO 8677
12	2,00	N309503548	Screw M 6X20
13	1,00	N311733607	Lock ring 19
14	2,00	N311129525	Nut M 6 DIN 6926
15	1,00	N425111004	Lubricating head MK 6x1
16	2,00	N311150505	Nut M 12
17	2,00	N309503505	Screw M12X40
18	1,00	N311120520	Nut M 8
19	1,00	S532113326273	WASHER
20	2,00	N311129521	Nut M 12 DIN 6923 8 Zinc. toothed
21	1,00	N311129520	Nut M8 DIN 6923 8 Zinc. toothed
22	1,00	N443821004	Steering wheel M 2000
23	1,00	N323721002	Bushing 1920 KU
24	2,00	N311214504	Washer 12



Katalog : KAB3F-19-0001

Skupina : KAJ06-18-0001 Mowing lifting AJ92

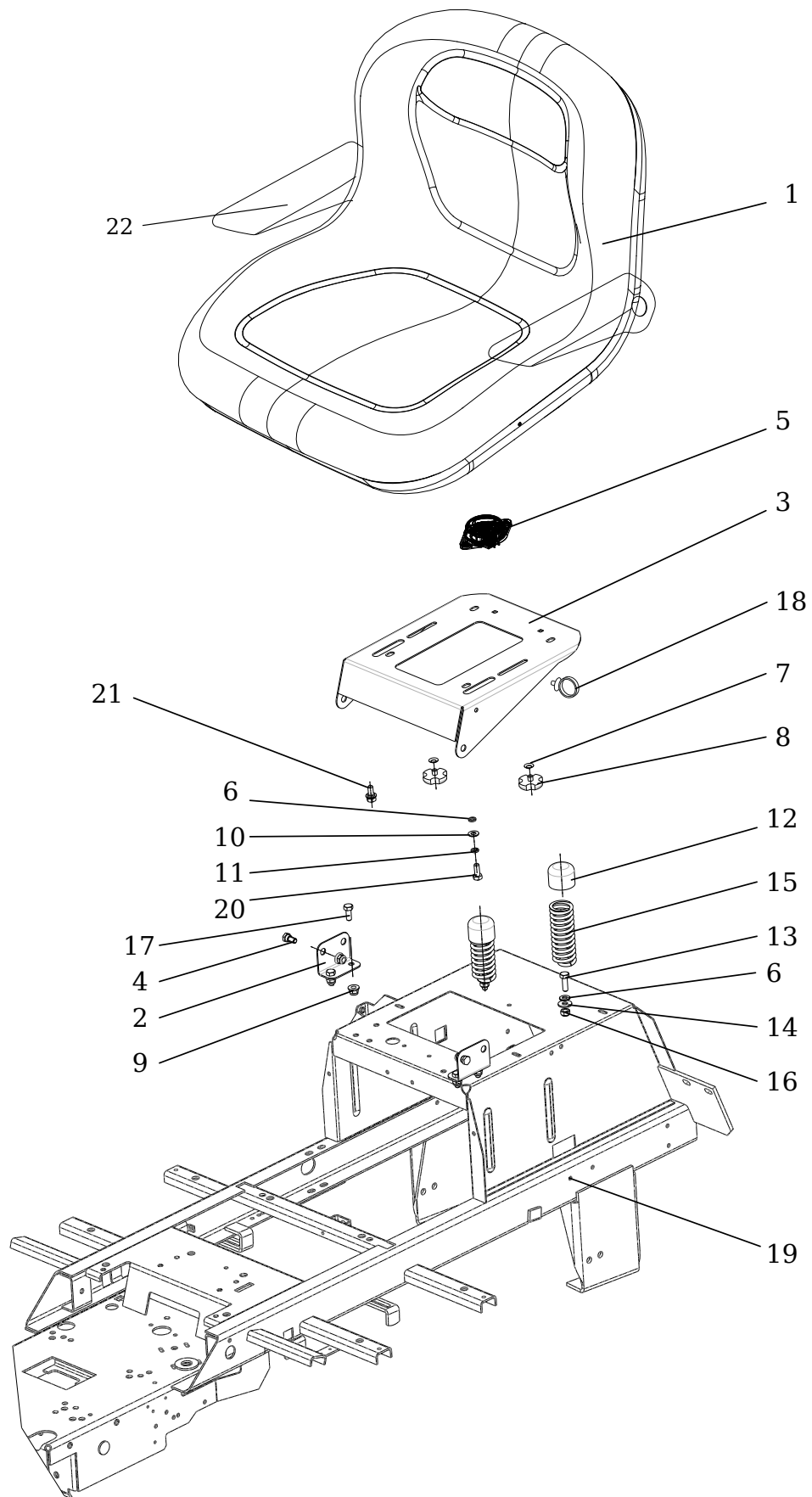
Pos.	Qty.	Pol.	Descript
1	1,00	S532980508243	Lifting arms
2	4,00	N722643023	Bushing 0-9462-202
3	6,00	N311210507	Washer 17
4	6,00	N311338517	Spindle 3.2x25
5	1,00	S532113415563	Lever holder
6	3,00	S532092212293	WASHER
7	3,00	N309503510	Screw M 10X30
8	3,00	N311129502	Nut M 10
9	1,00	S532980412173	Lifting lever
10	1,00	N532151357	Handrail 0-8832-202
11	1,00	N315231265	Spring 0-9746-504 lifting
12	1,00	S532113425333	Lifting segment
13	1,00	S532913413293	Lifting holder
14	1,00	N532151192	Lifting rod 0-8041-324
15	2,00	N532151193	Lifting rod 0-8042-265
16	2,00	S532090162083	Pin
17	2,00	S532095213823	Spacer
18	4,00	N311150506	Nut M 10
19	2,00	S532080323323	Tie rod
20	1,00	S532913424373	Lifting arms
21	1,00	S532938122573	Shaft
22	1,00	N311129527	Nut M 16 DIN 6926
23	2,00	S532993462343	Pin complete
24	2,00	N311129526	Nut M 12 DIN 6926
25	1,00	N315231193	Spring 0-9746-460
26	2,00	N311212508	Washer 9 Zinc
27	1,00	N309503543	Screw M 8X35
28	1,00	N532150290	Nut M 8 DIN 6926 8 Zinc
29	4,00	N309503512	Screw M 8X25
30	4,00	N311210504	Washer 10.5
31	7,00	N311129501	Nut M 8
32	6,00	N311338516	Spindle 3.2x20
33	2,00	N311732009	Lock ring 12
34	2,00	N309503518	Screw M8X20
35	2,00	N315231265	Spring 0-9746-504 lifting
36	2,00	N311129523	Nut M 10 DIN 6926 Zinc



Katalog : KMJ7F-19-0001

Skupina : KAJ25-17-0001 Rapido - fuel tank

Pos.	Qty.	Pol.	Descript
1	1,00	N232130021	Fuel tank 0-2766-220 clear
2	1,00	N321841017	Cap 9-2725-201
3	1,00	N532151591	Tank throat 0-2721-203
4	1,00	N273111062	Ring 67x5 NBR 70 SH
5	2,00	N000532058	Clip UM 5008
6	1,00	S532986018003	Fuel hose for NJ, AJ, UJ

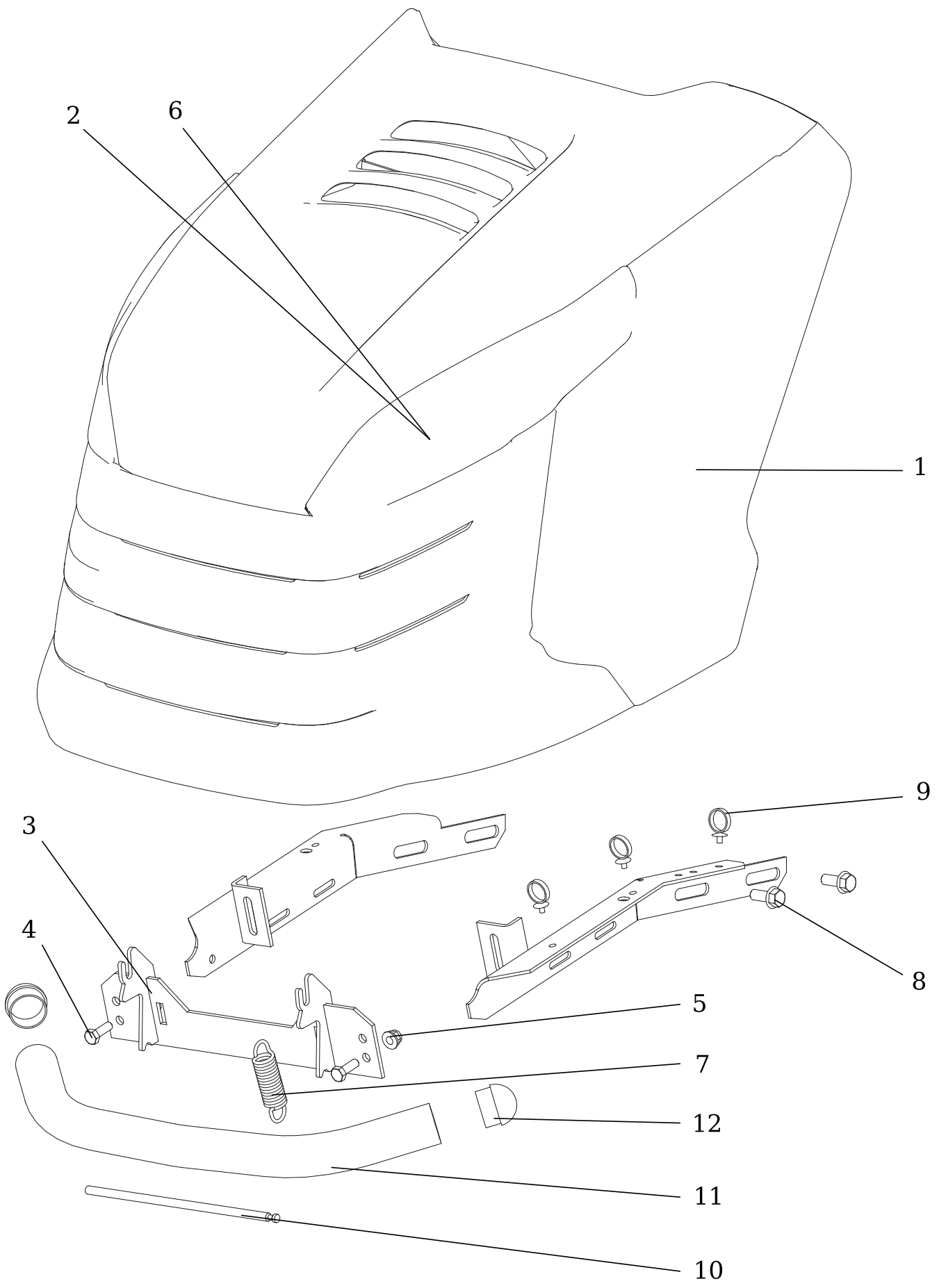


Katalog : KAB3F-19-0001

Skupina : KMJ11-19-0001

Hood nr.1 SP480 MILSCO +AR

Pos.	Qty.	Pol.	Descript
1	1,00	N532150988	Seat SP 480 Milsco
2	2,00	S532113402403B	Carrier holder
3	1,00	S532018472433	Seat carrier
4	2,00	N309599012	Carrier screw 0-9016-427
5	1,00	N532150990	Seat switch DELTA 6500-02
6	2,00	N311219002	Washer BN 739 8X12X2
7	2,00	N311213503	Washer 8.4 Zink
8	2,00	N532150213	Stopping nut M8x18 PR.40 black
9	6,00	N532150290	Nut M 8 DIN 6926 8 Zinc
10	2,00	N311210503	Washer 8.4
11	2,00	N311214502	Washer 8
12	2,00	N532150208	Cover 38/A PVC Black
13	2,00	N309503512	Screw M 8X25
14	4,00	N311212517	Washer 9 Zinc
15	2,00	N315231124	Spring 0-9746-434
16	2,00	N311129501	Nut M 8
17	4,00	N309503518	Screw M8X20
18	1,00	N532150211	Clip WSBH 1-0-1
19	1,00	S532912962813	Chassis complete 92
20	4,00	N309578540	Screw M 8x25 DIN 7500 D
21	2,00	N309578540	Screw M 8x25 DIN 7500 D
22	1,00	N532150989	Arm rests C 7494 BS



Katalog : KAB3F-19-0001

Skupina : KMJ21-19-0001 Engine hood AJ - RAL6029

Pos.	Qty.	Pol.	Descript
1	1,00	N532151528	Hood compl. 9-1849-421 green
2	2,00	N347411002	Halogen lightbulb MR 16 PR.50MM 1
3	1,00	S532913405703	Hood holder
4	2,00	N309503512	Screw M 8X25
5	2,00	N532150290	Nut M 8 DIN 6926 8 Zinc
6	1,00	N341271163	Conection light
7	1,00	N315231203	Spring 0-9746-472
8	4,00	N309578529	Screw M10X25KL100 Ripp. V. DACROM
9	3,00	N532150211	Clip WSBH 1-0-1
10	1,00	S532013102143	Safety bar
11	1,00	S532918452193	Bumper Telsnigš
12	2,00	N321841087	Dished plug 40mm