

PARTS LIST

AHT2630D-S

CONTENTS

| | |
|--------------------------------|---------|
| 1. MAIN BODY | 1 ~ 2 |
| 2. GEARCASE | 3 ~ 6 |
| 3. ENGINE | 7 ~ 10 |
| 4. CARBURETOR, FUEL TANK | 11 ~ 12 |
| 5. ACCESSORIES | 13 ~ 14 |

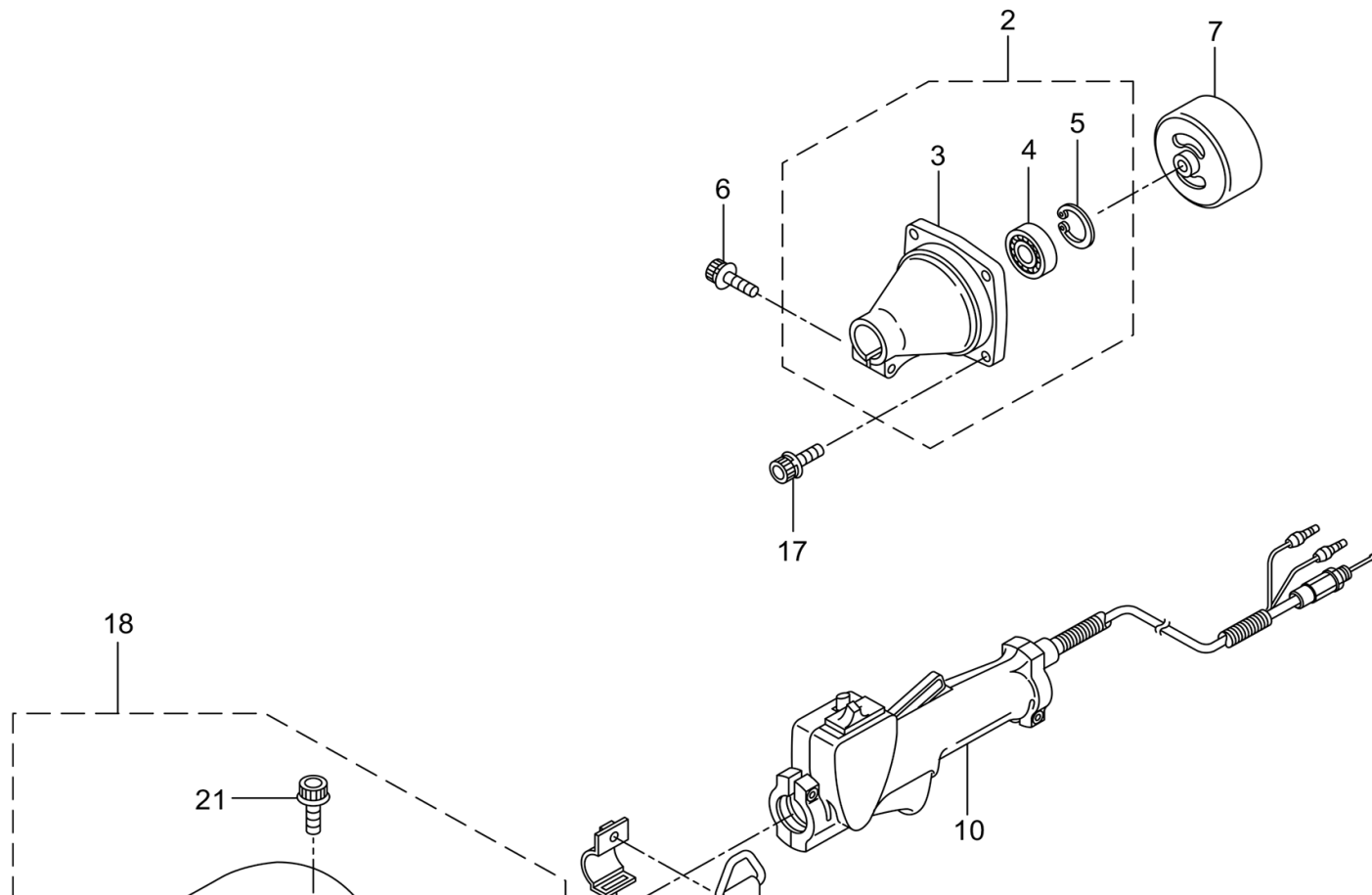
2016. 12.

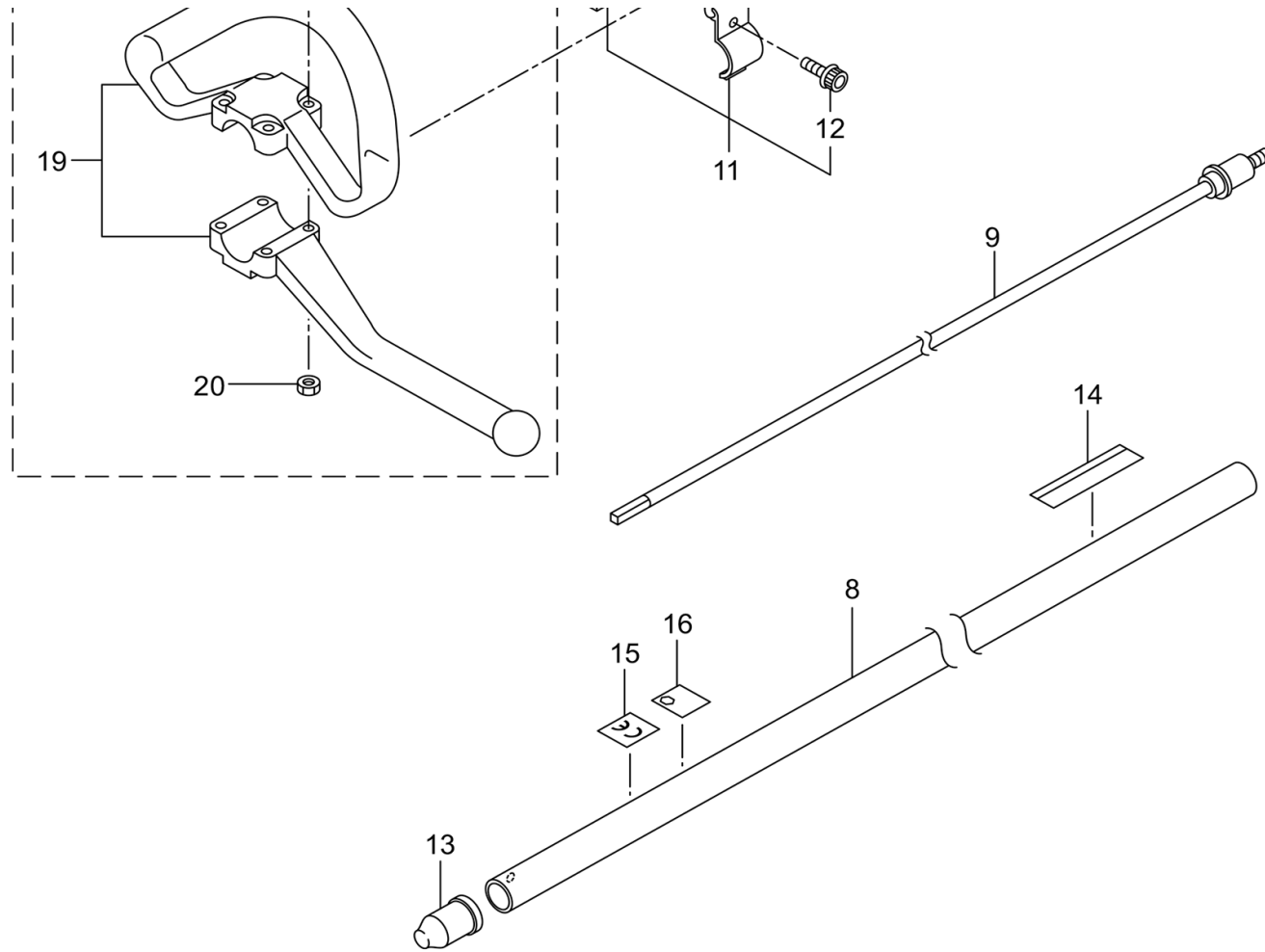


MARUYAMA

P/N 524182-2

1. AHT2630D-S MAIN BODY





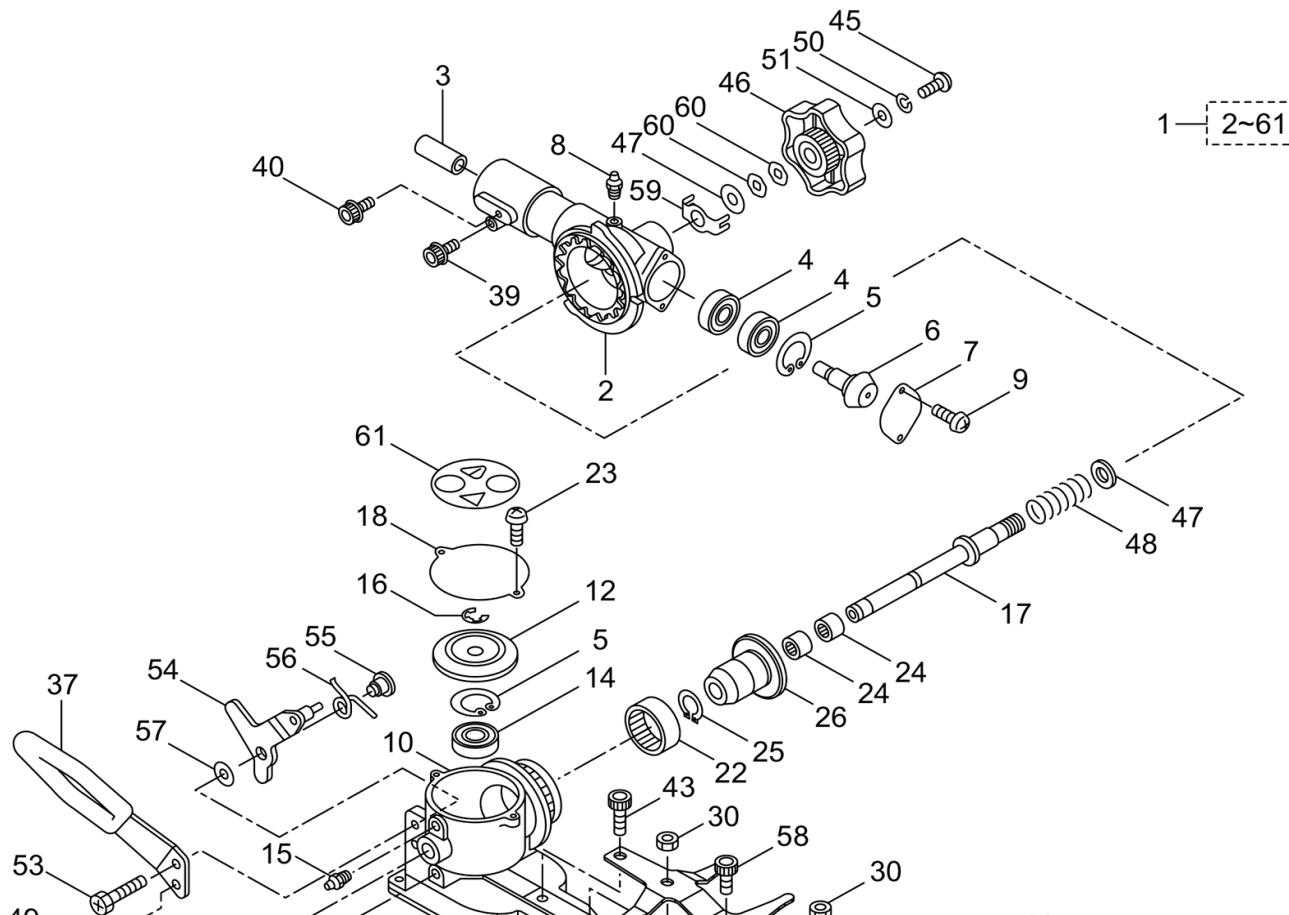
- 1 -

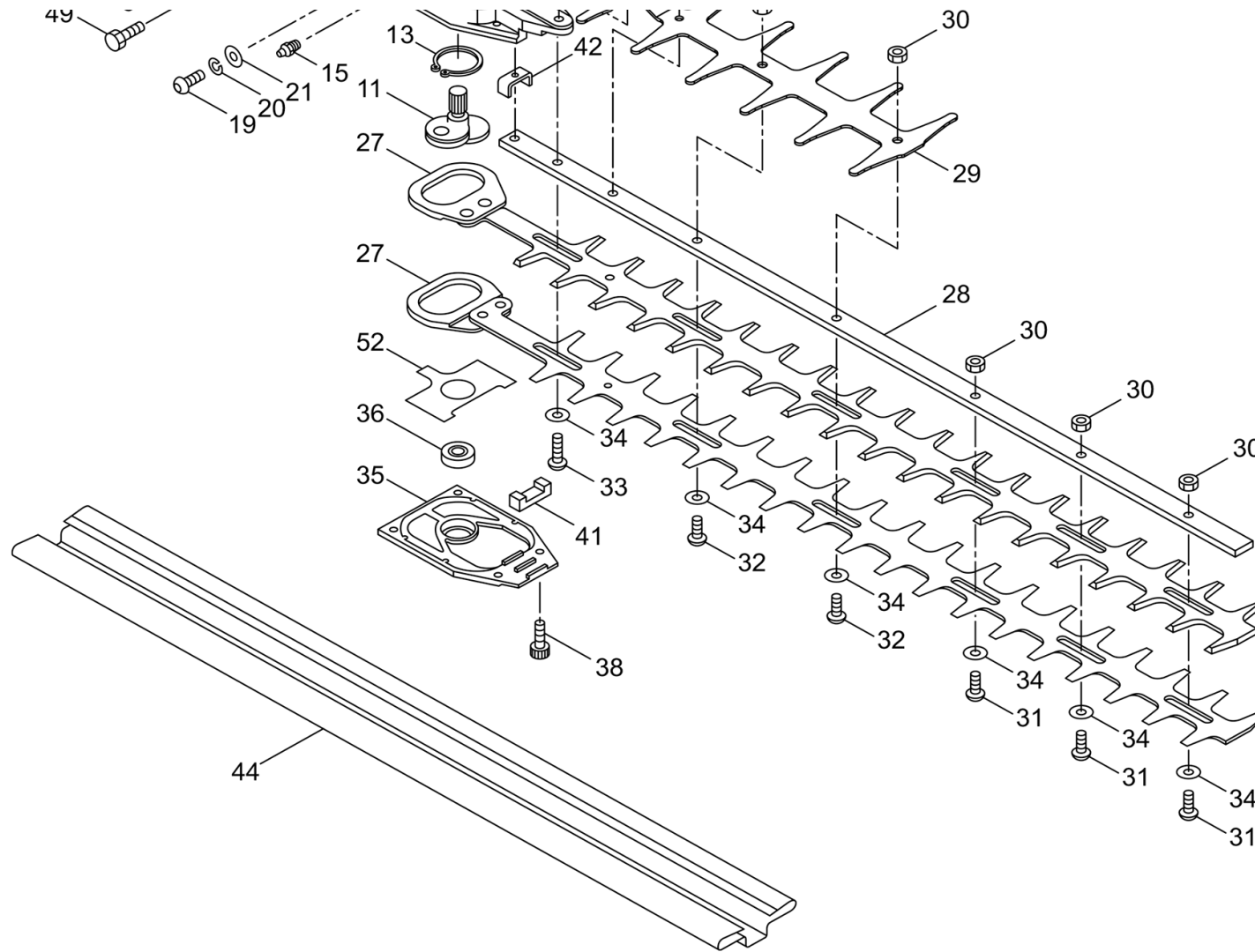
1

| Status | Position | Parts Number | Parts Name | Unit Quantity | Set Unit Quantity | Remarks | Price | Maker code |
|--------|----------|--------------|---------------------|---------------|-------------------|----------|-------|------------|
| | 1 | 364569 | AHT2630D-S(EU01) | 1 | | | | |
| | 2 | 219602 | CLUTCH HOUSING ASSY | 1 | | Incl.3-5 | | |

| Status | Position | Parts Number | Parts Name | Unit Quantity | Set Unit Quantity | Remarks | Price | Maker code |
|--------|----------|--------------|------------------------------|---------------|-------------------|-------------|-------|------------|
| | 3 | 219465 | CLUTCH HOUSING | 1 | | | | |
| | 4 | 016405 | BEARING #6200ZZ | 1 | | #6200ZZ | | |
| | 5 | 013825 | SNAP RING | 1 | | #30 | | |
| | 6 | 261246 | CAP SCREW | 1 | 5 | M5x25 | | |
| | 7 | 229091 | CLUTCH DRUM ASSY | 1 | | | | |
| | 8 | 224679 | DRIVESHAFT TUBE | 1 | | 24xt1.6x723 | | |
| | 9 | 224680 | DRIVESHAFT ASSY | 1 | | | | |
| | 10 | 235078 | Throttle Lever Assy (235078) | 1 | | | | |
| | 11 | 215533 | HANGING BRACKET ASSY | 1 | | Incl.12 | | |
| | 12 | 261762 | SCREW | 1 | | M5x14 | | |
| | 13 | 215350 | CAP | 1 | | | | |
| | 14 | 238134 | PLATE | 1 | | AHT2630D | | |
| | 15 | 237626 | LABEL | 1 | | CE | | |
| | 16 | 231468 | LABEL | 1 | | | | |
| | 17 | 261250 | CAP SCREW | 4 | 5 | M5x20 | | |
| | 18 | 231955 | LOOP HANDLE ASSY | 1 | | Incl.19-21 | | |
| | 19 | 225699 | LOOP HANDLE | 1 | | | | |
| | 20 | 081027 | NUT | 4 | 5 | M5 | | |
| | 21 | 215608 | CAP SCREW | 4 | 5 | M5x30x16 | | |

2. AHT2630D-S GEARCASE





- 3 -

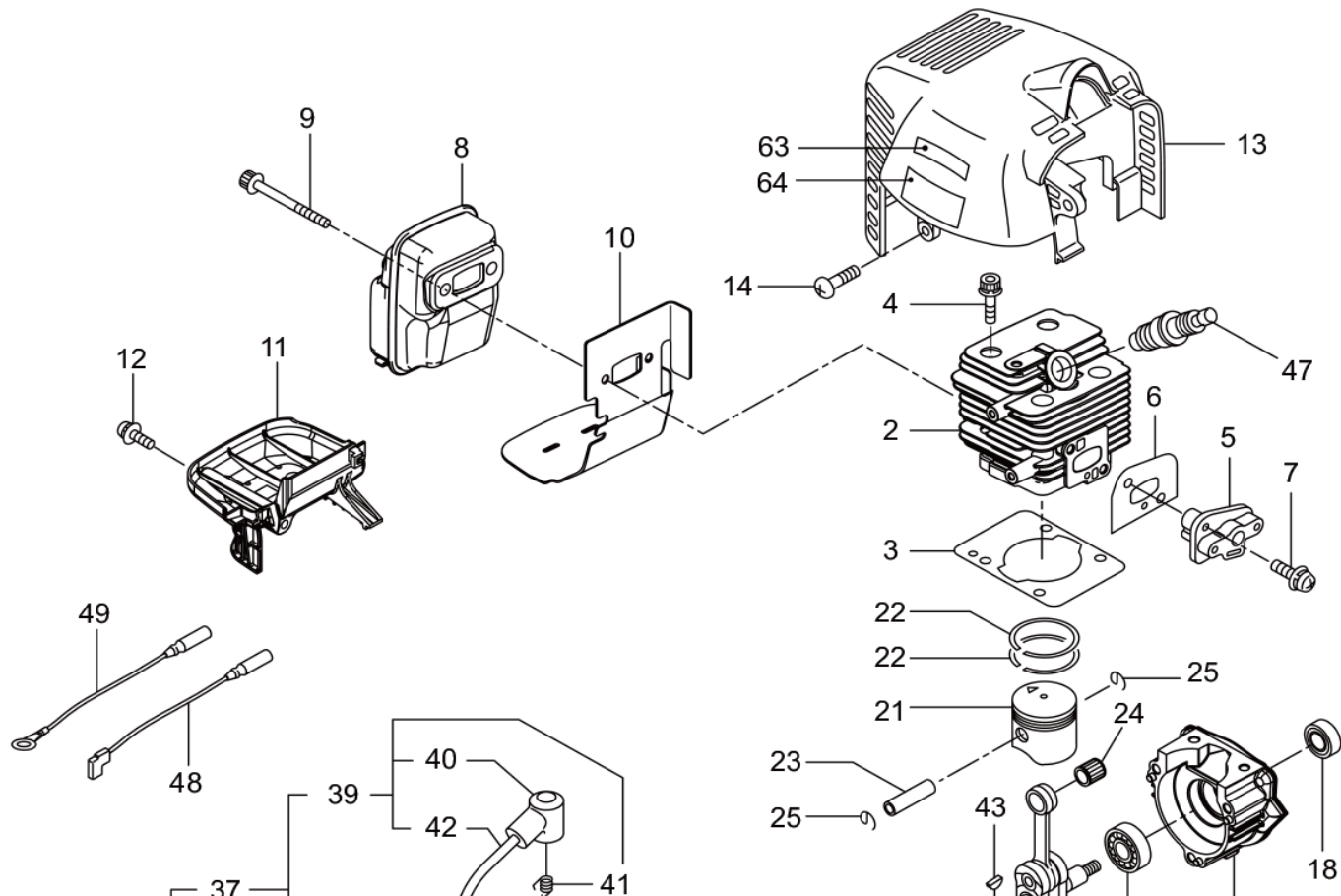
1

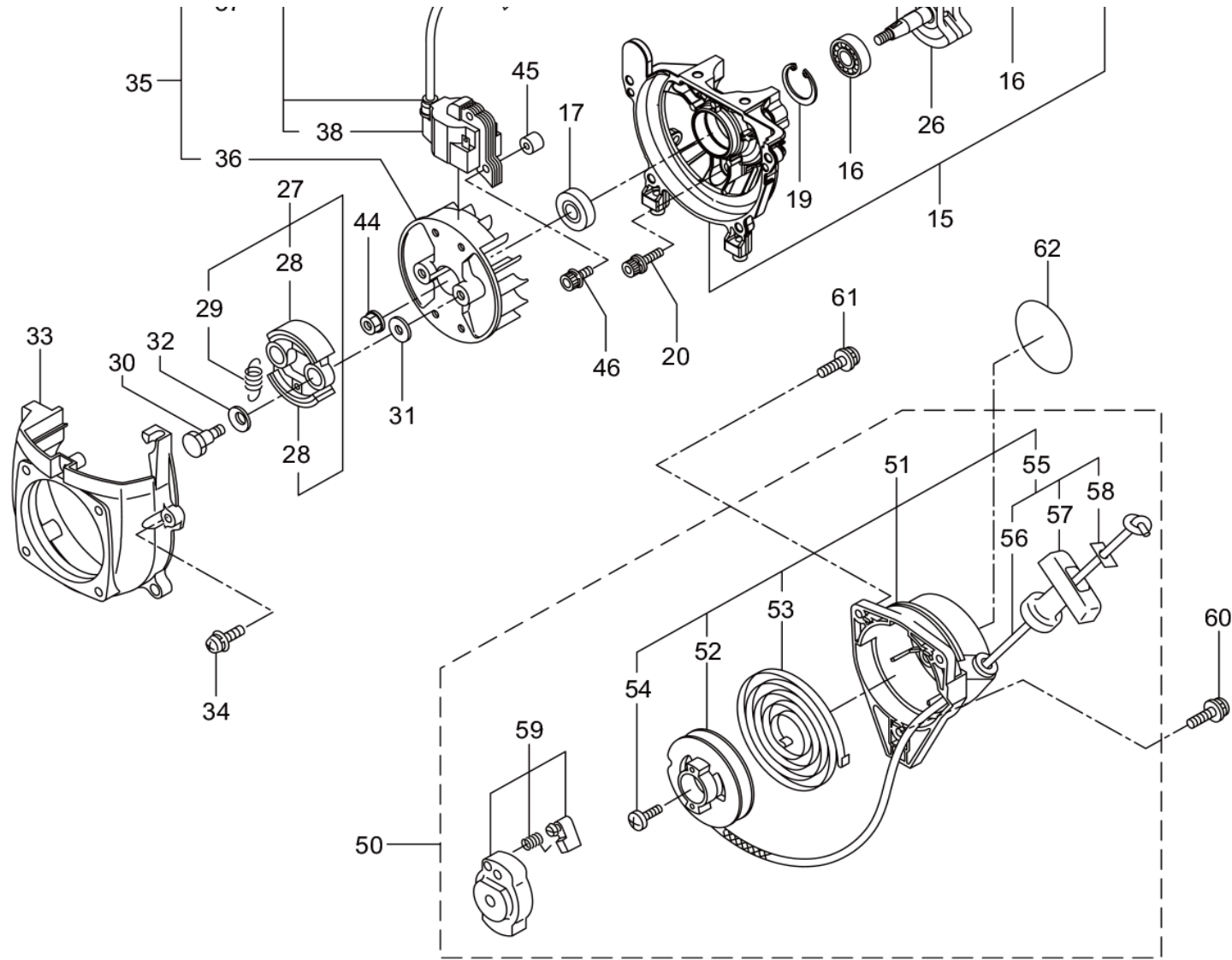
| Status | Position | Parts Number | Parts Name | Unit Quantity | Set Unit Quantity | Remarks | Price | Maker code |
|--------|----------|--------------|------------|---------------|-------------------|-----------|-------|-------------|
| | 1 | 237090 | TRIMMER 24 | 1 | | Incl.2-61 | | |
| | 2 | 407312 | JOINT CASE | 1 | | | | TP5-A007000 |

| Status | Position | Parts Number | Parts Name | Unit Quantity | Set Unit Quantity | Remarks | Price | Maker code |
|--------|----------|--------------|--------------------|---------------|-------------------|-----------|-------|-------------|
| | 3 | 631779 | JOINT | 1 | | | | A224-110004 |
| | 4 | 407313 | BEARING 6000ZZ | 2 | | | | K353-060000 |
| | 5 | 631757 | SNAP RING | 2 | 5 | RTW26 | | K282-026000 |
| | 6 | 407314 | BEVEL GEAR | 1 | | | | G023-500170 |
| | 7 | 407315 | LID | 1 | | | | TP1-A020000 |
| | 8 | 580766 | GREASE NIPPLE | 1 | | M6 | | |
| | 9 | 631753 | SCREW | 2 | | M4x8 | | K016-040080 |
| | 10 | 407316 | GEAR HOUSING | 1 | | | | TP5-A006000 |
| | 11 | 407317 | CRANKSHAFT | 1 | | | | G024-000020 |
| | 12 | 407318 | BEVEL GEAR | 1 | | | | G023-500180 |
| | 13 | 631759 | SNAP RING | 1 | 5 | STW28 | | K283-028000 |
| | 14 | 582443 | BEARING 6000DDU | 1 | | #6000 2RS | | |
| | 15 | 580766 | GREASE NIPPLE | 2 | | M6 | | |
| | 16 | 631755 | SNAP RING | 1 | 5 | ETW6 | | K280-006000 |
| | 17 | 407319 | SHAFT | 1 | | | | TP2-A001000 |
| | 18 | 407320 | LID B | 1 | | | | TP1-A017000 |
| | 19 | 407321 | CAP SCREW | 1 | | M6x16 | | K082-06016T |
| | 20 | 631749 | SPRING WASHER | 1 | 10 | M6 | | K210-060000 |
| | 21 | 582436 | WASHER | 1 | | M6 | | K201-060000 |
| | 22 | 407322 | BEARING BTM2512 | 1 | | | | R049-000900 |
| | 23 | 631753 | SCREW | 2 | | M4x8 | | K016-040080 |
| | 24 | 407323 | BEARING 10BTM1410 | 2 | | | | R049-000800 |
| | 25 | 407324 | C-SHAPED STOP RING | 1 | | | | K287-010000 |
| | 26 | 407325 | BEVEL GEAR | 1 | | | | G023-500160 |
| | 27 | 407326 | BLADE 600 | 2 | | | | TP4-A330600 |
| | 28 | 407327 | SUPPORT S600 | 1 | | | | TP1-A038000 |
| | 29 | 237226 | BLADE GUARD | 1 | | | | |
| | 30 | 580764 | U-NUT | 6 | 5 | M6 | | |
| | 31 | 631765 | SCREW | 3 | | L17 | | A040-001009 |
| | 32 | 631764 | SCREW | 2 | | L19 | | A040-002009 |
| | 33 | 407328 | SCREW | 1 | | L26 | | G040-005000 |
| | 34 | 991913 | WASHER | 6 | 10 | | | 008-250 |
| | 35 | 407329 | RECEIVER | 1 | | | | TP5-A008000 |
| | 36 | 631771 | BEARING 608 2RS | 1 | | #608 2RS | | K354-006080 |
| | 37 | 407330 | HANDLE | 1 | | | | TP1-A040000 |
| | 38 | 407331 | BOLT | 4 | 5 | M5x14 | | K078-05014T |

| Status | Position | Parts Number | Parts Name | Unit Quantity | Set Unit Quantity | Remarks | Price | Maker code |
|--------|----------|--------------|---------------|---------------|-------------------|---------|-------|-------------|
| | 39 | 631778 | CAP SCREW | 1 | | M5x25 | | K078-05025T |
| | 40 | 631777 | CAP SCREW | 1 | | M5x12 | | K073-050121 |
| | 41 | 407332 | FELT | 1 | | | | TP1-A019000 |
| | 42 | 407333 | PLATE | 1 | | | | TP1-A023000 |
| | 43 | 407334 | BOLT | 1 | | M5x16 | | K078-05016T |
| | 44 | 407335 | BLADE COVER | 1 | | | | G028-206601 |
| | 45 | 407336 | CAP SCREW | 1 | | M6x12 | | K082-06012T |
| | 46 | 407337 | KNOB | 1 | | | | TP1-A025000 |
| | 47 | 407338 | WASHER | 2 | | | | K203-100000 |
| | 48 | 407339 | SPRING | 1 | | | | G002-000290 |
| | 49 | 631770 | SCREW | 1 | | M6x12 | | K054-060120 |
| | 50 | 631749 | SPRING WASHER | 1 | 10 | M6 | | K210-060000 |
| | 51 | 582436 | WASHER | 1 | | M6 | | K201-060000 |
| | 52 | 407340 | SLIDE PLATE | 1 | | | | TP1-A022000 |
| | 53 | 407341 | BOLT | 1 | | M6x25 | | K054-060250 |
| | 54 | 407342 | LEVER | 1 | | | | TP1-A028000 |
| | 55 | 407343 | BUSHING | 1 | | | | TP1-A027000 |
| | 56 | 407344 | SPRING | 1 | | | | G003-000090 |
| | 57 | 646471 | WASHER | 1 | | | | K207-060162 |
| | 58 | 407345 | BOLT | 1 | | M5x8 | | K081-05008T |
| | 59 | 407347 | SPRING | 1 | | | | TP1-A030000 |
| | 60 | 407348 | WASHER | 2 | | | | K229-10000S |
| | 61 | 407349 | LABEL | 1 | | | | G052-001810 |

3. AHT2630D-S ENGINE





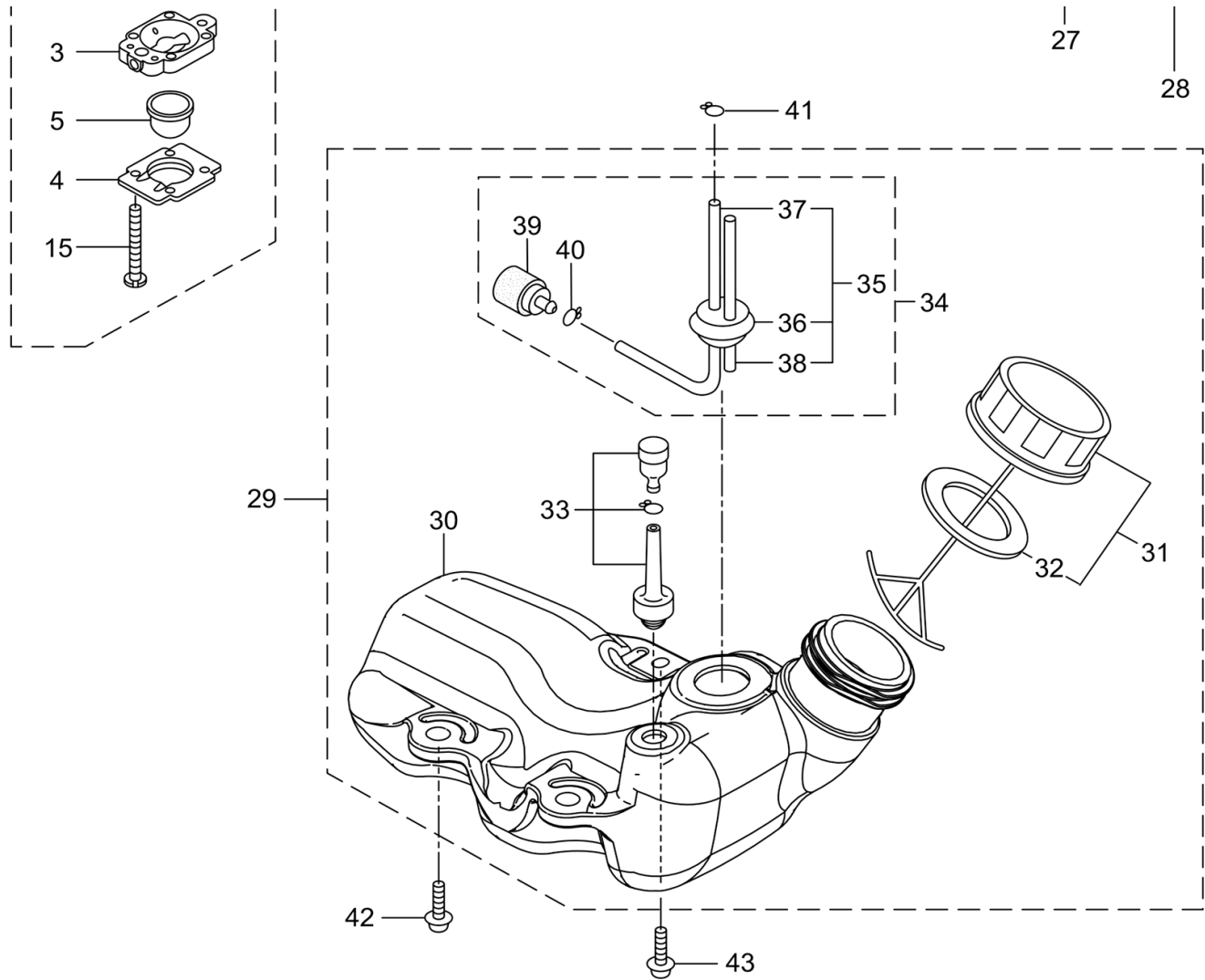
- 7 -

1

| Status | Position | Parts Number | Parts Name | Unit Quantity | Set Unit Quantity | Remarks | Price | Maker code |
|--------|----------|--------------|--------------------|---------------|-------------------|----------|-------|------------|
| | 1 | 859839 | EE262/01(AHT2630D) | 1 | | EE262/01 | | |

| Status | Position | Parts Number | Parts Name | Unit Quantity | Set Unit Quantity | Remarks | Price | Maker code |
|--------|----------|--------------|----------------------------------|---------------|-------------------|----------------|-------|------------|
| | 2 | 273153 | CYLINDER | 1 | | | | |
| | 3 | 282330 | GASKET | 1 | 5 | | | |
| | 4 | 261250 | CAP SCREW | 4 | 5 | M5x20 | | |
| | 5 | 282579 | INSULATOR | 1 | | | | |
| | 6 | 267049 | GASKET | 1 | 5 | | | |
| | 7 | 269826 | SCREW | 2 | 5 | M5x25 | | |
| | 8 | 276315 | MUFFLER | 1 | | | | |
| | 9 | 266402 | CAP SCREW | 2 | 5 | M5x55 | | |
| | 10 | 273147 | GASKET | 1 | | | | |
| | 11 | 246083 | UNDER COVER | 1 | | | | |
| | 12 | 269827 | SCREW | 1 | 5 | M5x16 | | |
| | 13 | 276319 | TOP COVER | 1 | | | | |
| | 14 | 280144 | TAPPING SCREW | 1 | 5 | | | |
| | 15 | 273673 | CRANKCASE | 1 | | | | |
| | 16 | 280488 | BEARING 6001C3 | 2 | | PPL 6001 | | |
| | 17 | 261492 | OIL SEAL | 1 | | ISCD12287 | | |
| | 18 | 261386 | OIL SEAL | 1 | | ISCD12227 | | |
| | 19 | 055185 | SNAP RING #28 | 1 | 5 | #28 | | |
| | 20 | 261612 | CAP SCREW | 3 | | M5x30 | | |
| | 21 | 273155 | PISTON | 1 | | | | |
| | 22 | 261496 | PISTON RING | 2 | | (2)Required | | |
| | 23 | 261497 | PISTON PIN | 1 | | | | |
| | 24 | 261037 | BEARING NEEDLE KBK8X11X11.8X1 | 1 | | KBK8x11x11.8x1 | | |
| | 25 | 261576 | CLIP PISTON | 2 | | | | |
| | 26 | 277939 | CRANK SHAFT | 1 | | | | |
| | 27 | 269168 | CLUTCH ASSY | 1 | | Incl.28,29 | | |
| | 28 | 269169 | CLUTCH SHOE | 2 | | (2)required | | |
| | 29 | 269173 | SPRING | 1 | | | | |
| | 30 | 269647 | CLUTCH BOLT | 2 | | | | |
| | 31 | 269175 | WASHER | 2 | 5 | 6.1x15x1.6 | | |
| | 32 | 261777 | WAVE WASHER | 2 | 5 | | | |
| | 33 | 283386 | FAN COVER | 1 | | | | |
| | 34 | 269831 | SCREW | 4 | 5 | M5x20 | | |
| | 35 | 282692 | MAGETO ASSY | 1 | | Incl.36-42 | | |

| Status | Position | Parts Number | Parts Name | Unit Quantity | Set Unit Quantity | Remarks | Price | Maker code |
|--------|----------|--------------|----------------------|---------------|-------------------|------------|-------|------------|
| | 36 | 261356 | ROTOR | 1 | | | | |
| | 37 | 282693 | IGNITION COIL ASSY | 1 | | Incl.38-42 | | |
| | 38 | 267401 | COIL | 1 | | | | |
| | 39 | 282694 | SPARK PLUG WIRE ASSY | 1 | | Incl.40-42 | | |
| | 40 | 261074 | PLUG BOOT | 1 | | | | |
| | 41 | 261075 | CONNECTOR | 1 | | | | |
| | 42 | 282695 | SPARK PLUG WIRE | 1 | | | | |
| | 43 | 261076 | WOODRUFF KEY 3X10 | 1 | 5 | 3x10 | | |
| | 44 | 261417 | NUT ROTOR M8 | 1 | 5 | M8 | | |
| | 45 | 280381 | SPACER | 2 | 5 | | | |
| | 46 | 261256 | BOLT | 2 | 5 | M4x25 | | |
| | 47 | 288264 | SPARK PLUG | 1 | | BPMR8Y | | |
| | 48 | 267492 | LEAD | 1 | | 130L | | |
| | 49 | 282880 | WIRE LEAD | 1 | | | | |
| | 50 | 288684 | RECOIL STARTER ASSY | 1 | | Incl.51-59 | | |
| | 51 | 288685 | STARTER ASSY | 1 | | Incl.52-58 | | |
| | 52 | 288967 | REEL | 1 | | | | |
| | 53 | 288968 | SPIRAL SPRING | 1 | | | | |
| | 54 | 262922 | SCREW | 1 | | | | |
| | 55 | 288969 | ROPE ASSY | 1 | | Incl.56-58 | | |
| | 56 | 288970 | STARTER ROPE | 1 | | | | |
| | 57 | 261725 | STARTER GRIP | 1 | | | | |
| | 58 | 283511 | ROPE STOPPER | 1 | | | | |
| | 59 | 288971 | STARTER PULLEY ASSY | 1 | | | | |
| | 60 | 269833 | SCREW | 1 | 5 | M4x16 | | |
| | 61 | 280489 | SCREW | 2 | 5 | M4x20 | | |
| | 62 | 276312 | LABEL | 1 | | | | |
| | 63 | 284587 | LABEL | 1 | | | | |
| | 64 | 286122 | LABEL | 1 | | MARUYAMA | | |



- 11 -

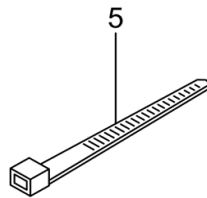
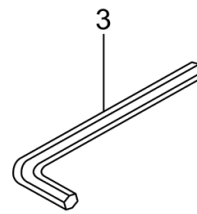
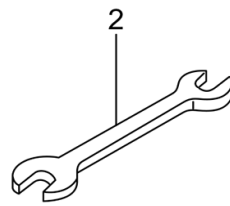
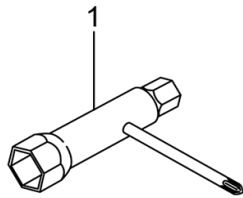
1

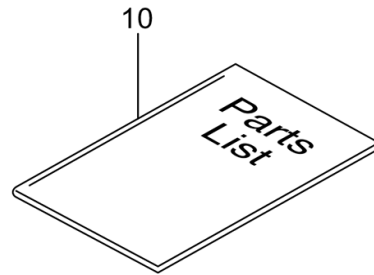
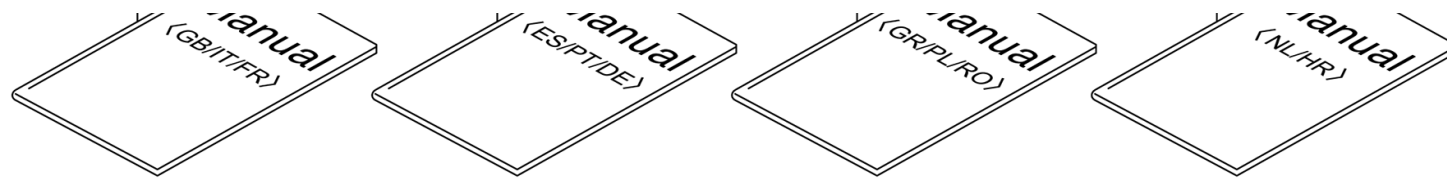
| Status | Position | Parts Number | Parts Name | Unit Quantity | Set Unit Quantity | Remarks | Price | Maker code |
|--------|----------|--------------|------------|---------------|-------------------|-----------|-------|------------|
| | 1 | 276328 | CARBURETOR | 1 | | Incl.2-15 | | |
| | 2 | 281597 | BODY | 1 | | | | |

| Status | Position | Parts Number | Parts Name | Unit Quantity | Set Unit Quantity | Remarks | Price | Maker code |
|--------|----------|--------------|---------------------|---------------|-------------------|-------------|-------|------------|
| | 3 | 262991 | PURGE BODY | 1 | | | | |
| | 4 | 262992 | COVER | 1 | | | | |
| | 5 | 261874 | PRIMER | 1 | | | | |
| | 6 | 283905 | DIAPHRAGM METERRING | 1 | | | | |
| | 7 | 262993 | GASKET | 1 | | | | |
| | 8 | 262994 | DIAPHRAGM | 1 | | | | |
| | 9 | 282576 | GASKET | 1 | | | | |
| | 10 | 285030 | MAIN JET | 1 | | | | |
| | 11 | 261871 | O-RING | 1 | | | | |
| | 12 | 261876 | RING | 1 | | | | |
| | 13 | 261658 | SWIVEL | 1 | | | | |
| | 14 | 264682 | SCREW | 2 | | | | |
| | 15 | 262996 | SCREW | 4 | 5 | | | |
| | 16 | 261864 | GASKET | 1 | 5 | | | |
| Δ | 17 | 289048 | CASE | 1 | | Incl.18-24 | | |
| | 18 | 269050 | CASE BODY | 1 | | | | |
| | 19 | 289019 | MACHINED DISC | 1 | | | | |
| | 20 | 284803 | LEVER | 1 | | | | |
| | 21 | 284816 | WASHER | 1 | 5 | 6.4x11x0.15 | | |
| | 22 | 269032 | SCREW | 1 | 5 | | | |
| | 23 | 126993 | NUT | 1 | 5 | M5 | | |
| | 24 | 269051 | SLEEVE | 2 | | | | |
| | 25 | 269030 | ELEMENT | 1 | | | | |
| | 26 | 281777 | SCREW | 2 | 5 | M5x55 | | |
| Δ | 27 | 269580 | CLEANER COVER | 1 | | | | |
| | 28 | 269031 | CAP SCREW | 1 | 5 | M5x12 | | |
| | 29 | 276310 | TANK ASSY | 1 | | Incl.30-40 | | |
| | 30 | 273467 | FUEL TANK | 1 | | | | |
| | 31 | 275306 | CHEMICAL TANK CAP | 1 | | Incl.32 | | |
| | 32 | 274875 | PACKING | 1 | | | | |
| | 33 | 261696 | BREATHER ASSY | 1 | | | | |
| | 34 | 265752 | FUEL PIPE | 1 | | Incl.35-40 | | |
| | 35 | 264031 | FUEL PIPE ASSY | 1 | | Incl.36-38 | | |
| | 36 | 261115 | GROMMET | 1 | | | | |
| | 37 | 261690 | FUEL PIPE | 1 | | 160L | | |

| Status | Position | Parts Number | Parts Name | Unit Quantity | Set Unit Quantity | Remarks | Price | Maker code |
|--------|----------|--------------|-------------|---------------|-------------------|---------|-------|------------|
| | 38 | 263038 | RETURN PIPE | 1 | | 3x6x85L | | |
| | 39 | 277887 | FILTER ASSY | 1 | | | | |
| | 40 | 261117 | CLIP | 1 | | | | |
| | 41 | 261117 | CLIP | 1 | | | | |
| | 42 | 269828 | SCREW | 2 | 5 | M5x16 | | |
| | 43 | 281208 | SCREW | 1 | 5 | M5x16 | | |

5. AHT2630D-S ACCESSORIES





- 13 -

1

| Status | Position | Parts Number | Parts Name | Unit Quantity | Set Unit Quantity | Remarks | Price | Maker code |
|--------|----------|--------------|----------------------|---------------|-------------------|-----------|-------|------------|
| | 1 | 210418 | BOX SPANNER | 1 | | 13x19x(+) | | |
| | 2 | 022865 | DOUBLE-ENDED SPANNER | 1 | | 8x10 | | |

| Status | Position | Parts Number | Parts Name | Unit Quantity | Set Unit Quantity | Remarks | Price | Maker code |
|--------|----------|--------------|--------------------|---------------|-------------------|------------|-------|------------|
| | 3 | 219432 | WRENCH | 1 | | 4mm | | |
| | 4 | 234954 | COLGATE TUBE | 1 | | 60L | | |
| | 5 | 234955 | BAND | 1 | | 3.4x145L | | |
| | 6 | 238138 | INSTRUCTION MANUAL | 1 | | GB/IT/FR | | |
| | 7 | 238139 | INSTRUCTION MANUAL | 1 | | ES/PT/DE | | |
| | 8 | 238140 | INSTRUCTION MANUAL | 1 | | GR/PL/RO | | |
| | 9 | 238141 | INSTRUCTION MANUAL | 1 | | NL/HR | | |
| | 10 | 524182 | PARTS LIST | 1 | | AHT2630D-S | | |