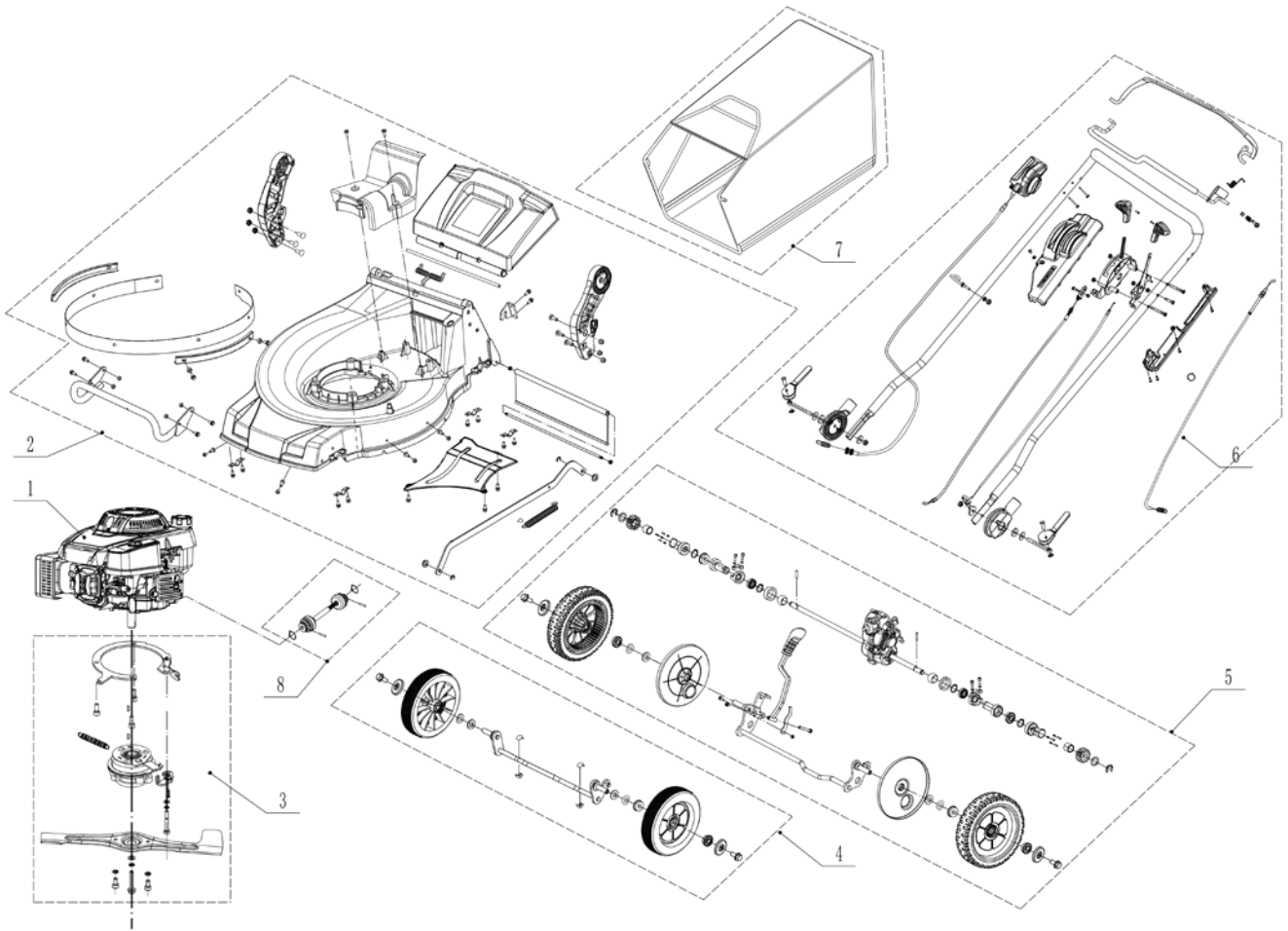


CAIMAN

Газонокосилка IXO 55CV-AL BBS

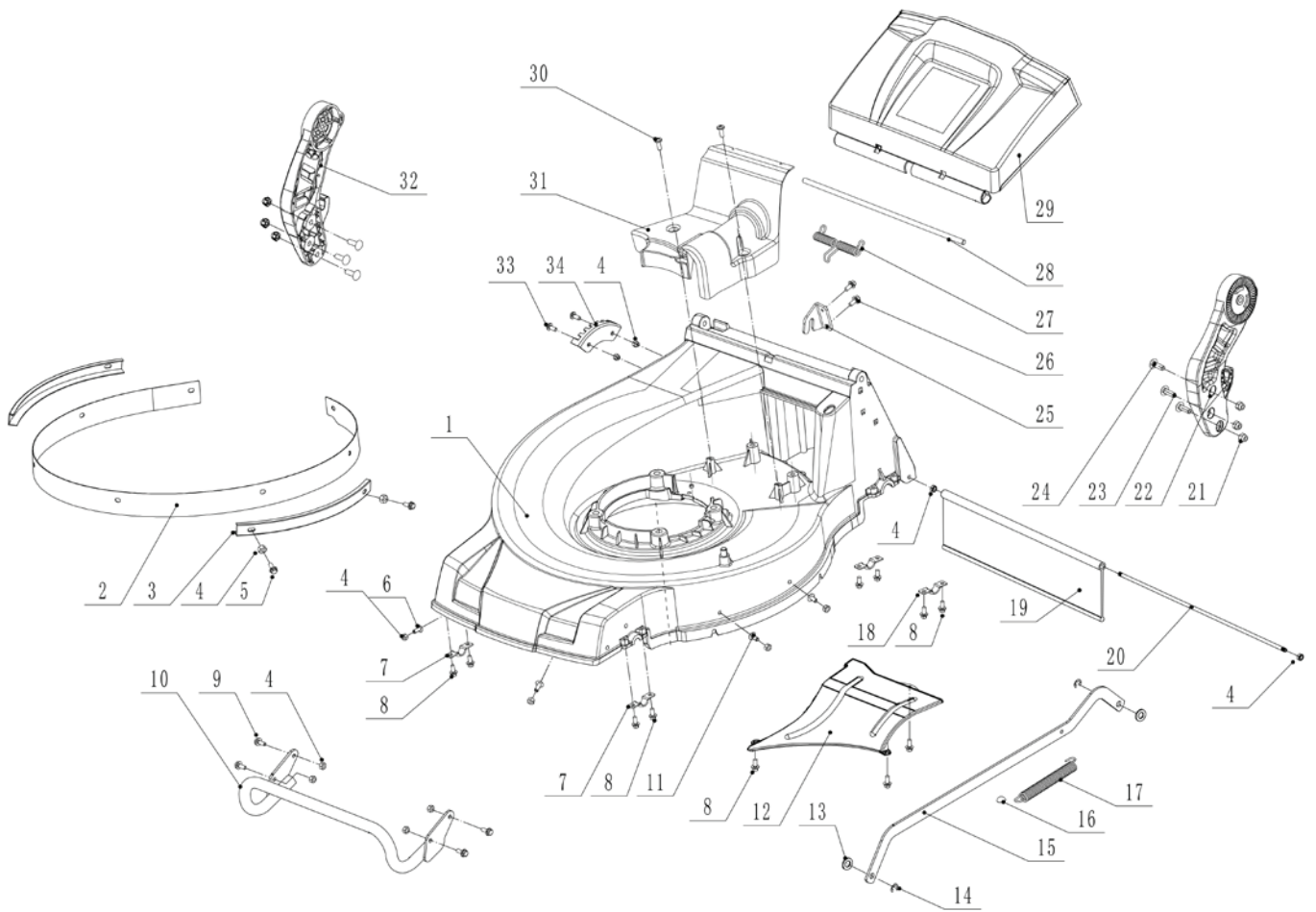


CAIMAN



CAIMAN

MAIN BODY

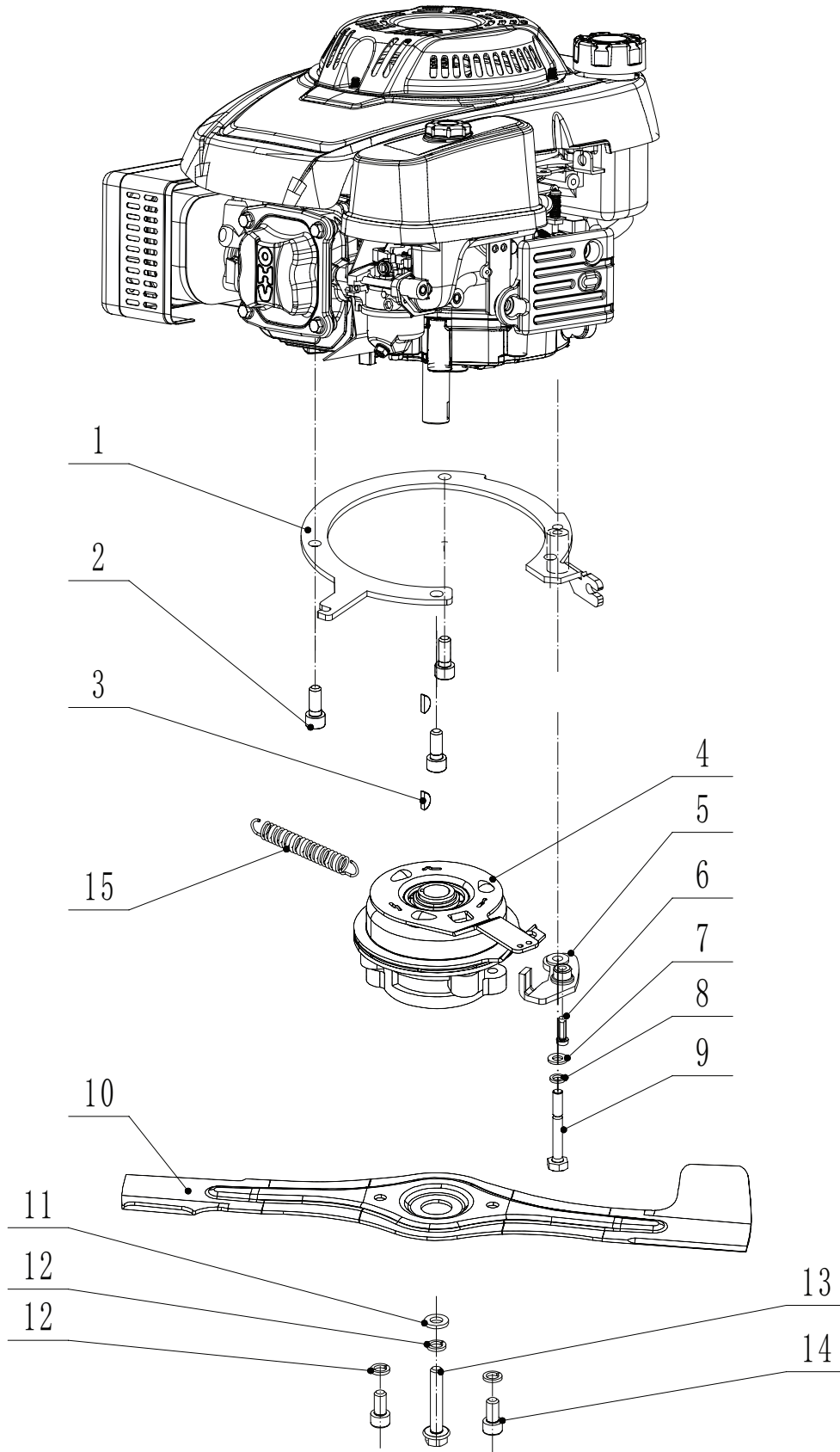


CAIMAN

N°	Description	Part Number	Qty (UOM)
1	Chassis	U0AL-00001	1
2	Inner Arc Plate	U0AL-00002	1
3	Outside skirt	U0AL-00003	2
4	Lock Nut - M6	U455-00013	17
5	Bolt - M6x10	UR200-00055	4
6	Screw - M6x16	UR760-00026	3
7	Front Bearing Bracket	U0AL-00004	2
8	Screw - M6x12	U058-00002	11
9	Bolt - M6x16	U537-00094	3
10	Bumper Weldment	U0AL-00005	1
11	Screw - M6x14	U0AL-00006	4
12	Bottom Baffle	U0AL-00007	1
13	Washer	U0AL-00008	2
14	Check Ring - M8	U058-00031	2
15	Connecting Rod	U0AL-00009	1
16	D Check Cap	U058-00032	1
17	Connecting Rod Spring	U0AL-00010	1
18	Upper Bearing Bracket	U455-00021	2
19	Trailing Flap	U537-00017	1
20	Pivot - Trailing Flap	U0AL-00011	1
21	Lock Nut - M8	U455-00007	6
22	Left Handle Bracket	U0AL-00012	1
23	Hexagon Flange Bolt - M8x20	U506-00064	4
24	Hexagon Flange Bolt - M8x25	UG700-00029	2
25	Bracket	U0AL-00013	1
26	Bolt - M6x12	U455-00009	2
27	Rear Cover Spring	U058-00021	1
28	Rear Cover Pivot	U0AL-00014	1
29	Rear Cover	U0AL-00015	1
30	Screw - M6x12	U058-00136	2
31	Belt Shield	U0AL-00016	1
32	Right Handle Bracket	U0AL-00017	1
33	Screw - M6X16	U0AL-00018	2
34	Graduator	U0AL-00019	1

CAIMAN

BLADE COMPONENT

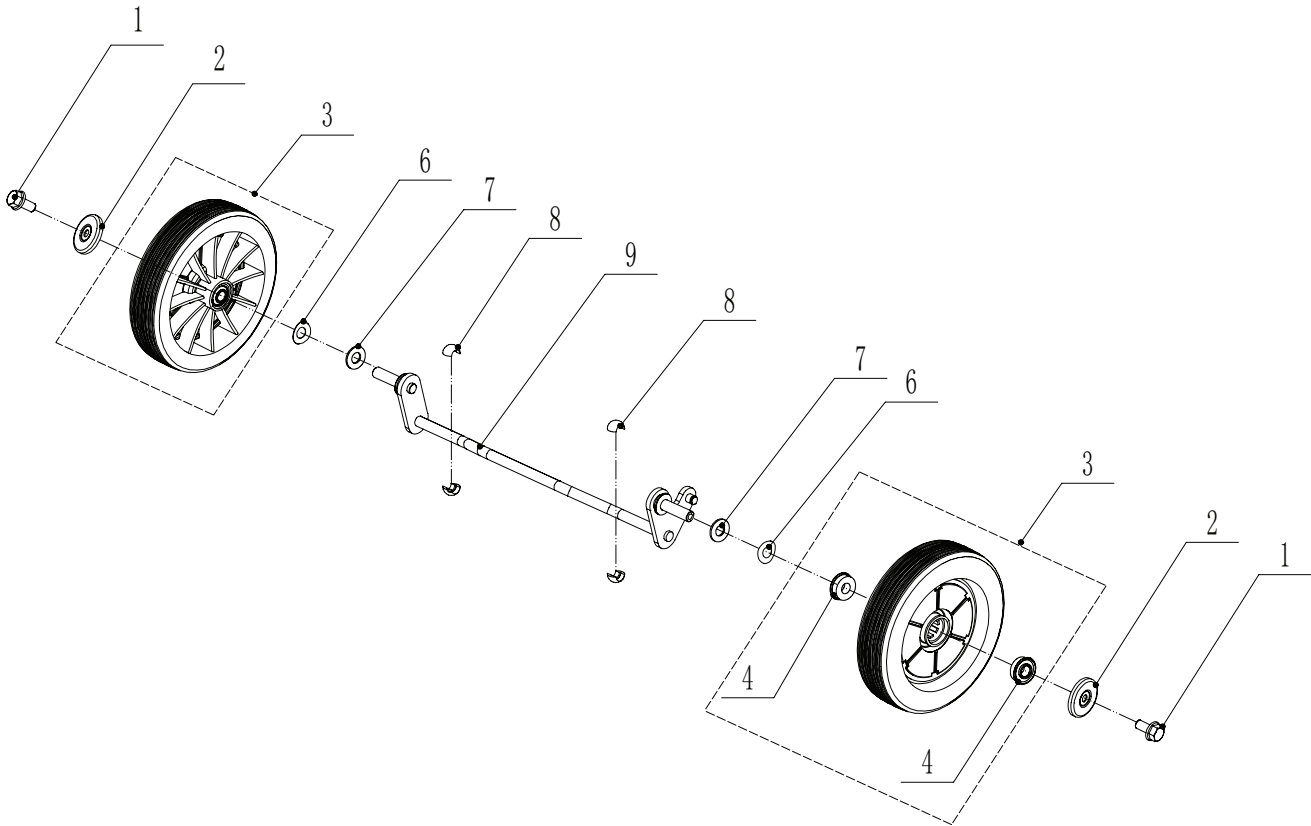


CAIMAN

N°	Description	Part Number	Qty (UOM)
1	Bracket	U0AL-00020	1
2	Screw - 3/8x16x28	U0AL-00021	3
3	Key	U506-00011	2
4	BBC Clutch	U0AL-00022	1
5	BBC Fixed Frame	U0AL-00023	1
6	Screw - M6x20	UG700-00116	1
7	Washer - M8	U455-00061	1
8	Spring Washer - M8	U455-00053	1
9	Bolt - M8x65	UG700-00159	1
10	Blade	U537-00061	1
11	Central Gasket	U537-00062	1
12	Spring Washer - M10	U537-00063	3
13	Central Bolt - 3/8x24x51	U455-00050	1
14	Screw - M10x20	U537-00064	2
15	Spring	U537-00065	1

CAIMAN

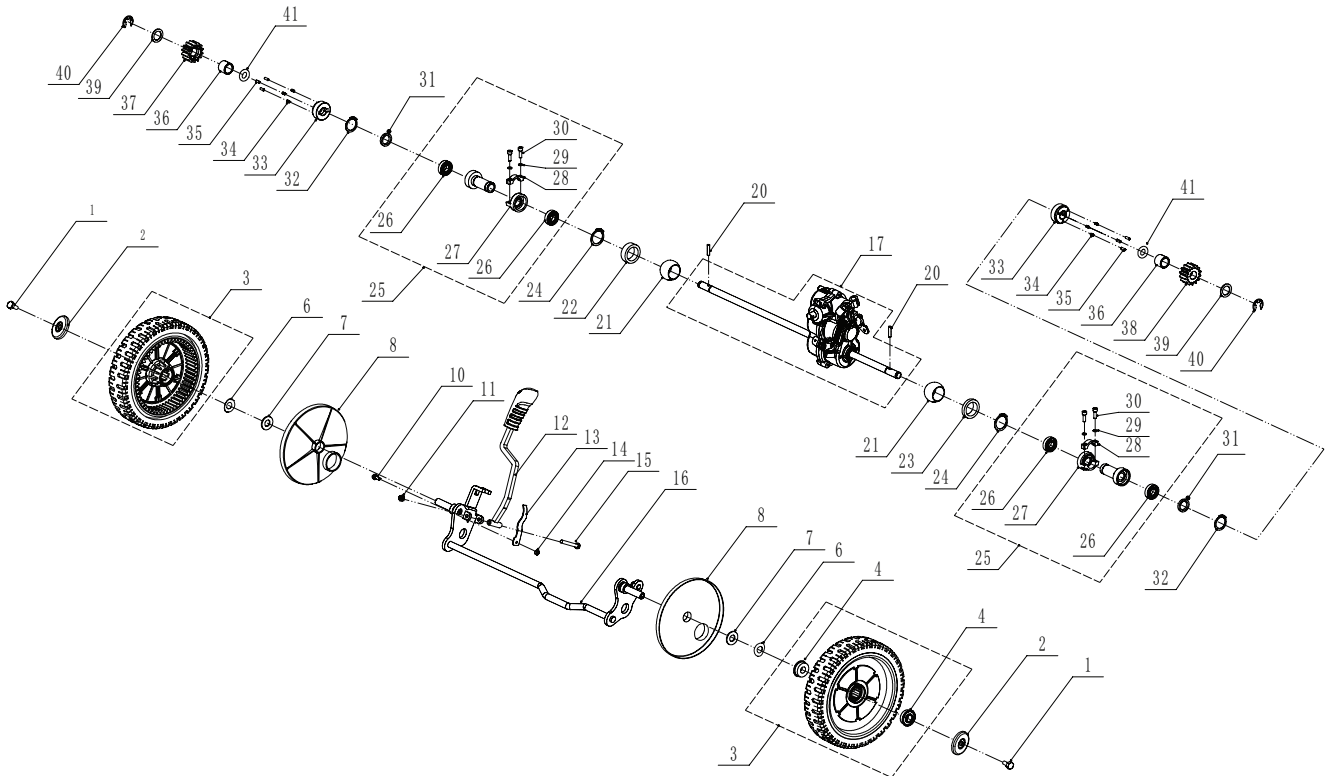
FRONT AXLE



N°	Description	Part Number	Qty (UOM)
1	Hexagon Flange Bolt - M8x16	U455-00002	2
2	Wheel Cap	U456-00068	2
3	8" Wheel Assembly	U0AL-00024	2
4	Bearing	U455-00056	4
6	Spacer	U455-00057	2
7	Wheel Axis Washer	U455-00058	2
8	Spherical Bearing	U455-00059	4
9	Front Axle Weldment	U0AL-00025	1

CAIMAN

REAR AXLE



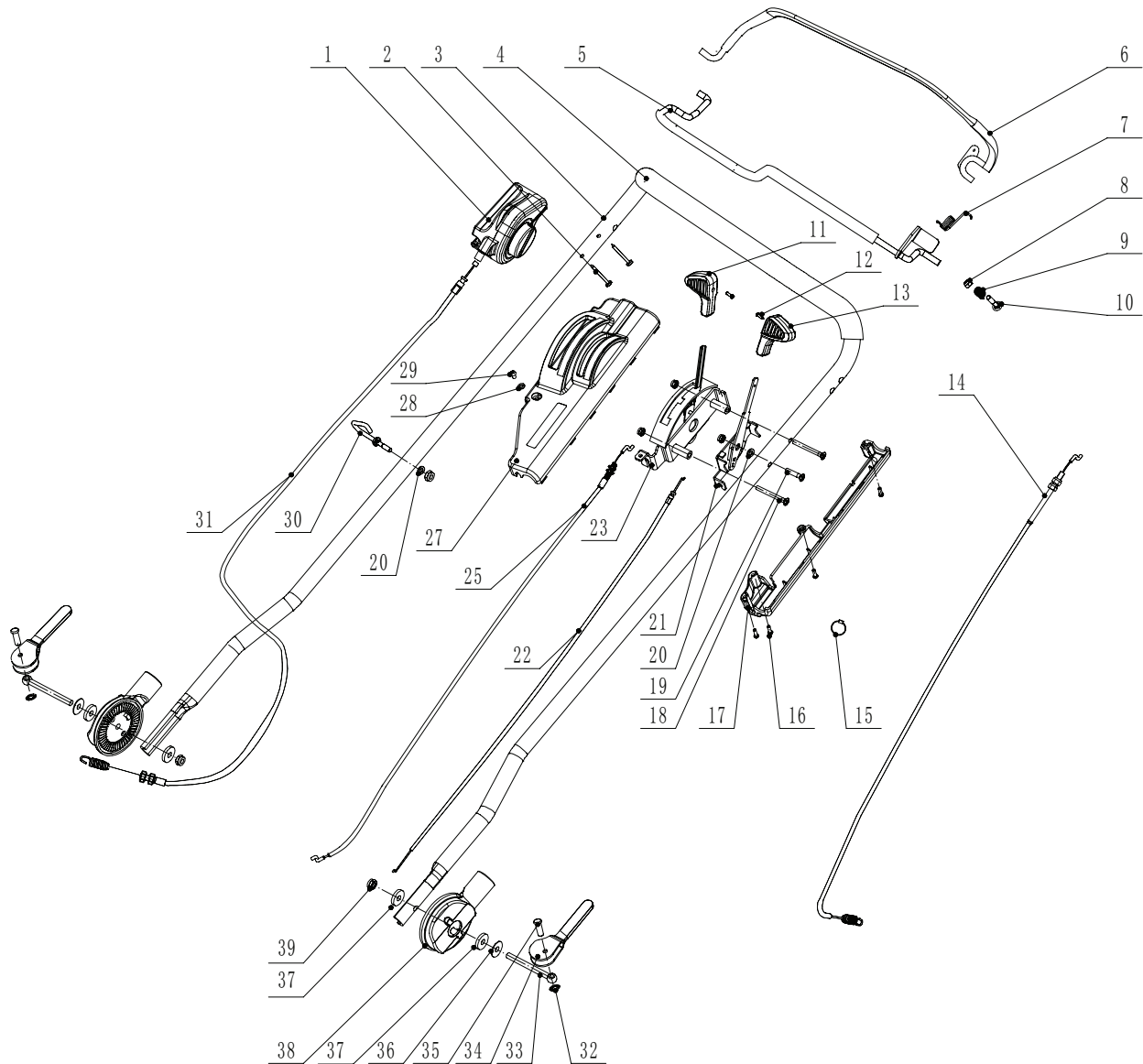
N°	Description	Part Number	Qty (UOM)
1	Hex Flange Bolt - M8x16	U455-00002	2
2	Wheel Cover	U456-00068	2
3	9" Rear Wheel	U456-00062	2
4	Bearing	U455-00056	4
6	Spacer	U455-00057	2
7	Washer	U455-00058	2
8	Anti-Dust Shield	U456-00063	2
10	Hexangular Bolt - M5x16	U0AL-00026	1
11	Lock Nut - M6	U455-00013	1
12	Adjustment Lever	U0AL-00027	1
13	Flat Spring	U0AL-00028	1
14	Lock Nut - M5	U455-00006	1
15	Hexangular Bolt - M6x55	UV160-00039	1
16	Rear Axle Weldment	U0AL-00029	1
17	Transmission assembly	U0AL-00030	1

CAIMAN

N°	Description	Part Number	Qty (UOM)
20	Pin	U455-00078	2
21	Nylon Spherical Bearing	U455-00066	2
22	Rear Transmission Partition	U455-00067	1
23	Bearing Bracket Left Washer	U0AL-00031	1
24	Check Ring For Shaft	U455-00068	2
25	Bearing Sheath Kit	U537-00036	2
26	Deep Groove Ball Bearing	U0AL-00032	4
27	Bearing Bracket	U537-00032	2
28	Bearing Bracket Cover	U537-00033	2
29	Spring Washer - M5	U506-00028	4
30	Hexagon Socket Cap Screw - M5x20	U537-00034	4
31	Spacer	U456-00009	2
32	Check Ring - M12	U455-00077	2
33	One-Way Block	U455-00079	2
34	Spring	U455-00080	6
35	Pin	U455-00081	6
36	Bearing	U455-00076	2
37	Right Drive Pinion	U455-00082	1
38	Left Drive Pinion	U455-00083	1
39	Friction Mat	U455-00084	2
40	Check Ring	U455-00085	2
41	O-Ring	U455-00089	2

CAIMAN

HANDLE AND CONTROLS



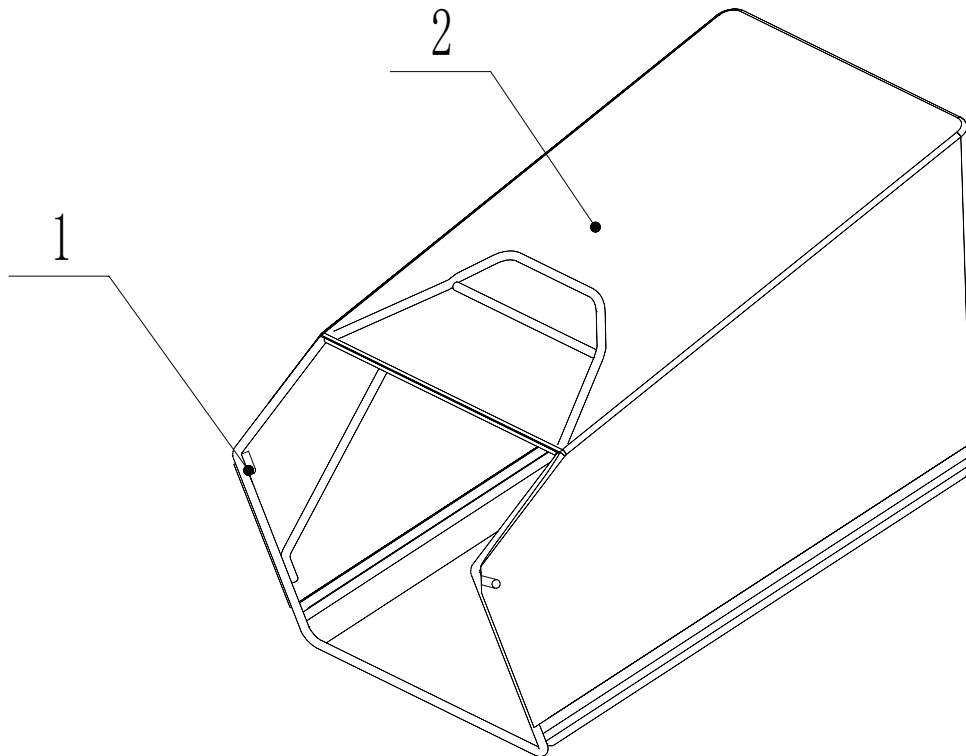
N°	Description	Part Number	Qty (UOM)
1	Knife Clutch Controller	U537-00066	1
2	Screw	U537-00067	2
3	538BBC-Handle	U0AL-00033	1
4	Handle Sleeve	U456-00011	1
5	Blade Clutch Lever Welding	U537-00069	1
6	Clutch Lever Weldment	U537-00070	1
7	Torsional Spring	U537-00071	1
8	Lock Nut - M6	U455-00013	5
9	Limit Spring	U537-00072	1

CAIMAN

N°	Description	Part Number	Qty (UOM)
10	Bolt - M6x50	U0AL-00033	1
11	Grip - Speed Lever	U506-00034	1
12	Screw - ST2.9x13	U506-00035	2
13	Grip - Throttle Lever	U506-00036	1
14	Clutch Cable	U537-00074	1
15	Nylon circlip	U456-00012	1
16	Screw	U506-00042	4
17	Control Box Lower Cover	U506-00039	1
18	Screw - M6x60	U506-00037	2
19	Screw - M6x50	U506-00038	1
20	Washer - M6	U455-00054	2
21	Throttle Control Bracket	U506-00043	1
22	Throttle Cable	U537-00042	1
23	Speed Control Bracket	U537-00041	1
25	Speed Control Cable	U0AL-00034	1
27	Control Box Upper Cover	U506-00033	1
28	Washer - M5	U506-00049	1
29	Cross Slot Bolt - M5x12	U455-00003	1
30	Hook - Starter Rope	U455-00099	1
31	Knife Clutch Rope	U537-00075	1
32	Grip Cap	U455-00100	2
33	Connecting Bolt	U455-00101	2
34	Lever	U455-00102	2
35	Axis Pin	U455-00120	2
36	Spacer	U455-00104	2
37	Spacer	U455-00105	4
38	Height Adjuster Segment	U455-00106	2
39	Lock Nut - M8	UAE55-00062	2

CAIMAN

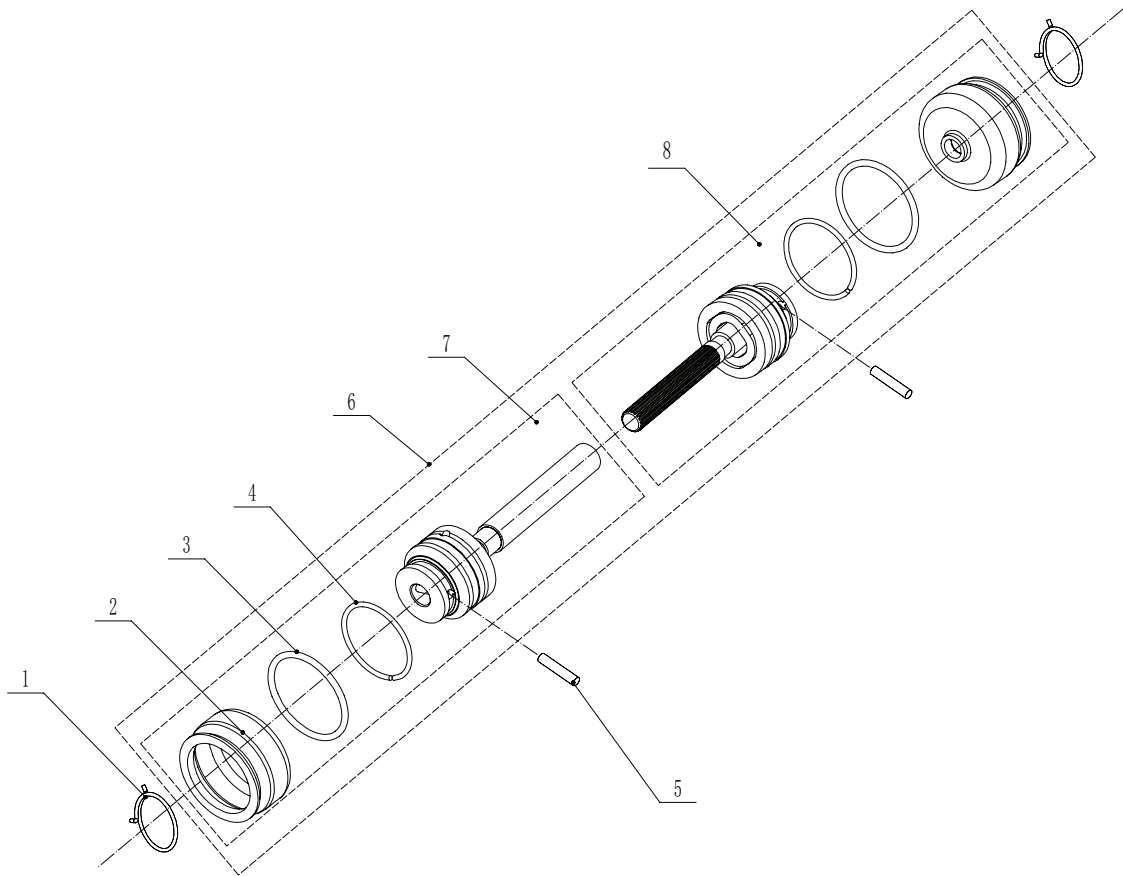
GRASS CATCHER



N°	Description	Part Number	Qty (UOM)
1	Grass Catcher Frame	U0AL-00035	1
2	Grass Bag	U0AL-00036	1

CAIMAN

UNIVERSAL DRIVE SHAFT



N°	Description	Part Number	Qty (UOM)
1	Check Ring	U537-00046	2
2	Anti-Dust Shield	U537-00047	2
3	O-Ring	U537-00048	2
4	Check Ring	U537-00049	2
5	Pin	U537-00050	2
6	Universal Drive Shaft	U537-00051	1
7	Universal Drive Shaft A	U537-00052	1
8	Universal Drive Shaft B	U537-00053	1