

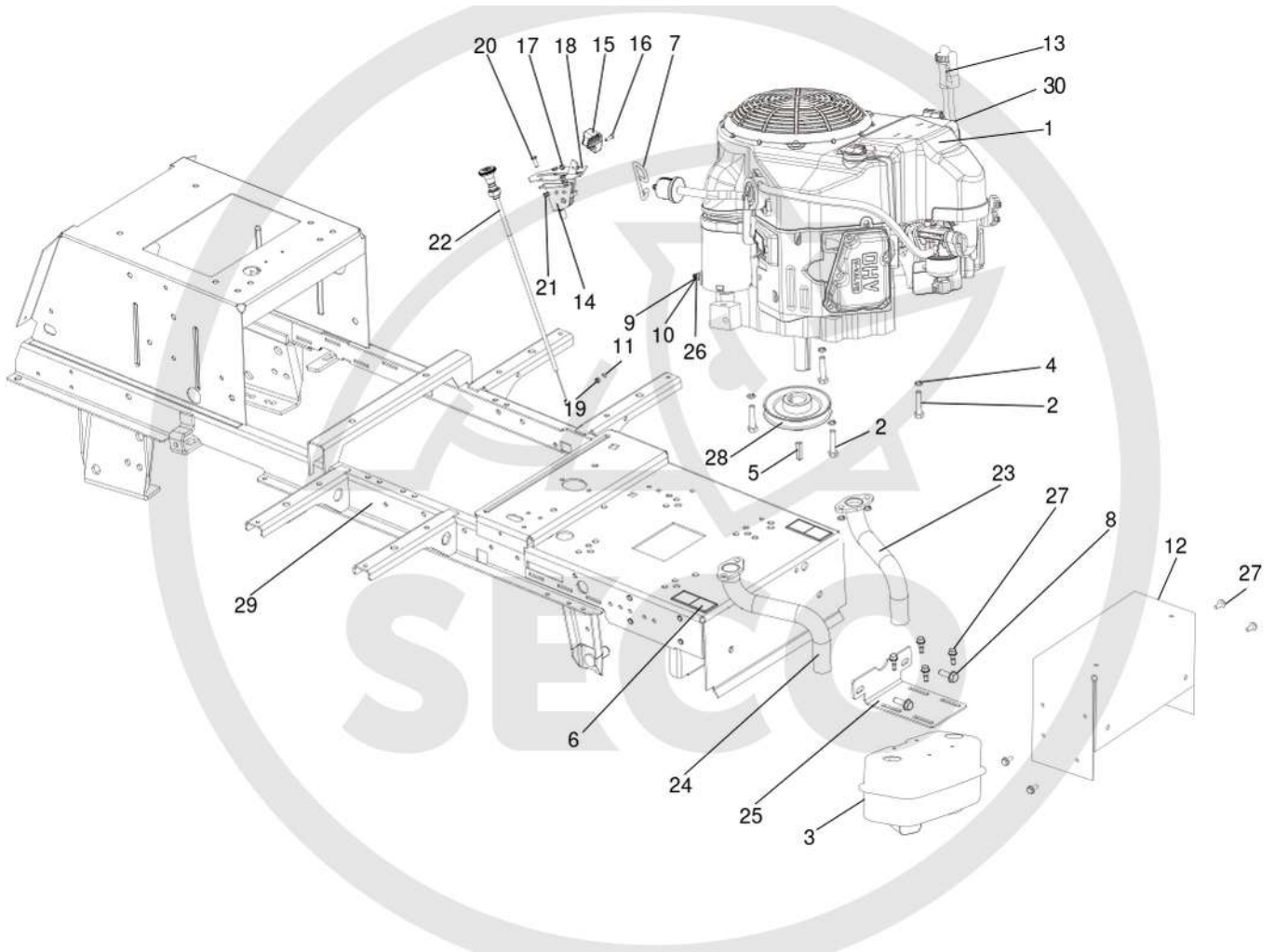
Obrázek není k  
dispozici



Model: KUJ7E-23-0001

Group: KUJ01-22-0003

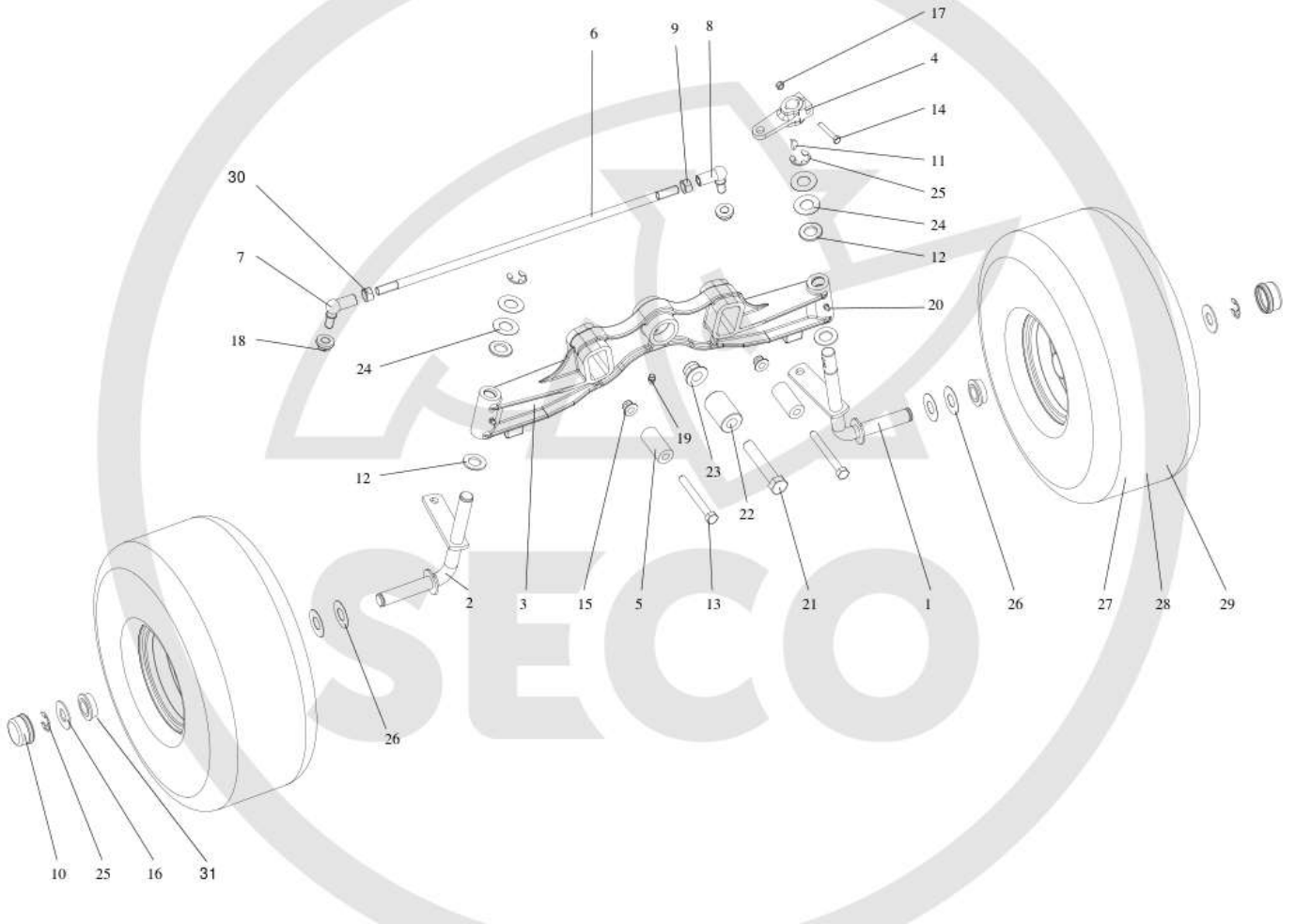
Engine 20 HP Kawasaki (FS 600V)



ID	Name	Item code	No.	UOM	Price
1	MOTOR 20 HP KAWASAKI (FS 600V)	N482349036	1	KS	###0.00 EUR / KS
2	Screw 3/8x1.25 DIN 933	N309578543	4	KS	0,27 EUR / KS
3	Exhaust Nelson 24500 N-20 V-twin	N443900129	1	KS	34,05 EUR / KS
4	WASHER 10 RIPP LOCK	N311219523	4	KS	0,45 EUR / KS
5	Key 0-9231-213	N311726101	1	KS	0,16 EUR / KS
6	Label 0-8732-337	N283292223	1	KS	0,12 EUR / KS
7	HOOK 0-9242-240	N532980071	1	KS	0,32 EUR / KS
8	Screw M 8x25 DIN 7500 D	N309578540	2	KS	0,24 EUR / KS
9	Screw M 8X16	N309503517	1	KS	0,05 EUR / KS
10	Washer 8.4	N311210503	1	KS	0,05 EUR / KS
11	Washer 6	N311214501	1	KS	0,05 EUR / KS
12	Exhaust cover UJ V2	S532085422123	1	KS	6,99 EUR / KS
13	Hose with cap	N532151253	1	KS	6,70 EUR / KS
14	Throttle lever 9-8071-226 GAR-001	N443900095	1	KS	8,61 EUR / KS
15	Throttle lever 0-8060-244 black	N443900148	1	KS	1,18 EUR / KS
16	Screw M 4X14 021131.25	N309231535	1	KS	0,05 EUR / KS
17	Nut M4	N311129514	1	KS	0,05 EUR / KS
18	Reinforcement	S532080302873	1	KS	1,75 EUR / KS
19	Nut W1/4-20 Unc Zinc.	N311122501	1	KS	0,05 EUR / KS
20	Screw M 5X16	N309251515	4	KS	0,05 EUR / KS
21	Nut M5	N311129515	4	KS	0,05 EUR / KS
22	Choke MK01 9-8074-277	N443612011	1	KS	6,35 EUR / KS
23	Exhaust pipe left UJ Kawasaki	S532927442543	1	KS	15,97 EUR / KS
24	Exhaust pipe right UJ Kawasaki	S532927442553	1	KS	15,97 EUR / KS
25	Exhaust holder UJ	S532113402093	1	KS	3,22 EUR / KS
26	Washer 8	N311214502	5	KS	0,05 EUR / KS
27	SCREW M 6X16 DIN 7500D BN 3326	N309578517	8	KS	0,10 EUR / KS
28	Engine pulley 9-3325-206 K664	N532151526	1	KS	13,72 EUR / KS
29	Frame compl. UJ/2014	S532912962843	1	KS	162,40 EUR / KS
30	Hose clip 9W1 16-25 EURO	N548241028	1	KS	0,59 EUR / KS

Model: KUJ7E-23-0001  
Group: KUJ03-14-0001

Front axle UJ



ID	Name	Item code	No.	UOM	Price
1	Pin left	S532916432143	1	KS	7,71 EUR / KS
2	Pin right	S532916432153	1	KS	8,22 EUR / KS
3	Axle	S532016542083	1	KS	49,76 EUR / KS
4	Lever	S532080503603	1	KS	10,82 EUR / KS
5	Spacer	S532195203533	2	KS	2,38 EUR / KS
6	Connecting rod 0-9010-572	N532151336	1	KS	2,87 EUR / KS
7	Angular joint 16 R DIN71802CS M12	N442073020	1	KS	3,94 EUR / KS
8	Angular joint 16 L DIN71802CS M12	N442073019	1	KS	4,17 EUR / KS
9	Nut M12 left	N311120539	1	KS	0,09 EUR / KS
10	Cover 0-8025-237	N532150915	2	KS	0,29 EUR / KS
11	Woodruff key 5e7X7.5	N311728003	1	KS	0,32 EUR / KS
12	Washer 19	N311210514	4	KS	0,05 EUR / KS
13	Screw M 10X80	N309501527	2	KS	0,29 EUR / KS
14	Screw M 6X40	N309203524	1	KS	0,05 EUR / KS
15	Nut M 10 DIN 6926 Zinc	N311129523	2	KS	0,12 EUR / KS
16	Washer	S532092208363	2	KS	0,76 EUR / KS
17	Nut M 6	N311129513	1	KS	0,05 EUR / KS
18	Nut M 12 DIN 6923 8 Zinc. toothed	N311129521	2	KS	0,36 EUR / KS
19	Lubricating head MK 8x1	N425111016	1	KS	0,42 EUR / KS
20	Lubricating head MK 6x1	N425111004	2	KS	0,27 EUR / KS
21	Screw M 8x90	N309501524	1	KS	0,45 EUR / KS
22	Pin	S532093202793	1	KS	4,66 EUR / KS
23	Nut M 16 DIN 6926	N311129527	1	KS	0,45 EUR / KS
24	Washer	S532092208383	4	KS	0,98 EUR / KS
25	Lock ring E-75 3/4	N311732023	4	KS	0,09 EUR / KS
26	Washer	S532092208153	6	KS	0,34 EUR / KS
	Wheel front 16x6.5-8 Grassmaster	N532940164	2	KS	42,08 EUR / KS
28	Wheel disc front 5.50AX8H2 OTR 20	N325111024	2	KS	22,81 EUR / KS
29	Tyre front 16/6,5x8 Multi trac	N274161023	2	KS	15,83 EUR / KS
30	Nut M 12	N311120504	1	KS	0,05 EUR / KS
31	Front wheel bearing 3/4 Compensa	N324196019	4	KS	5,16 EUR / KS

Model: KUJ7E-23-0001

Group: KUJ05-14-0001

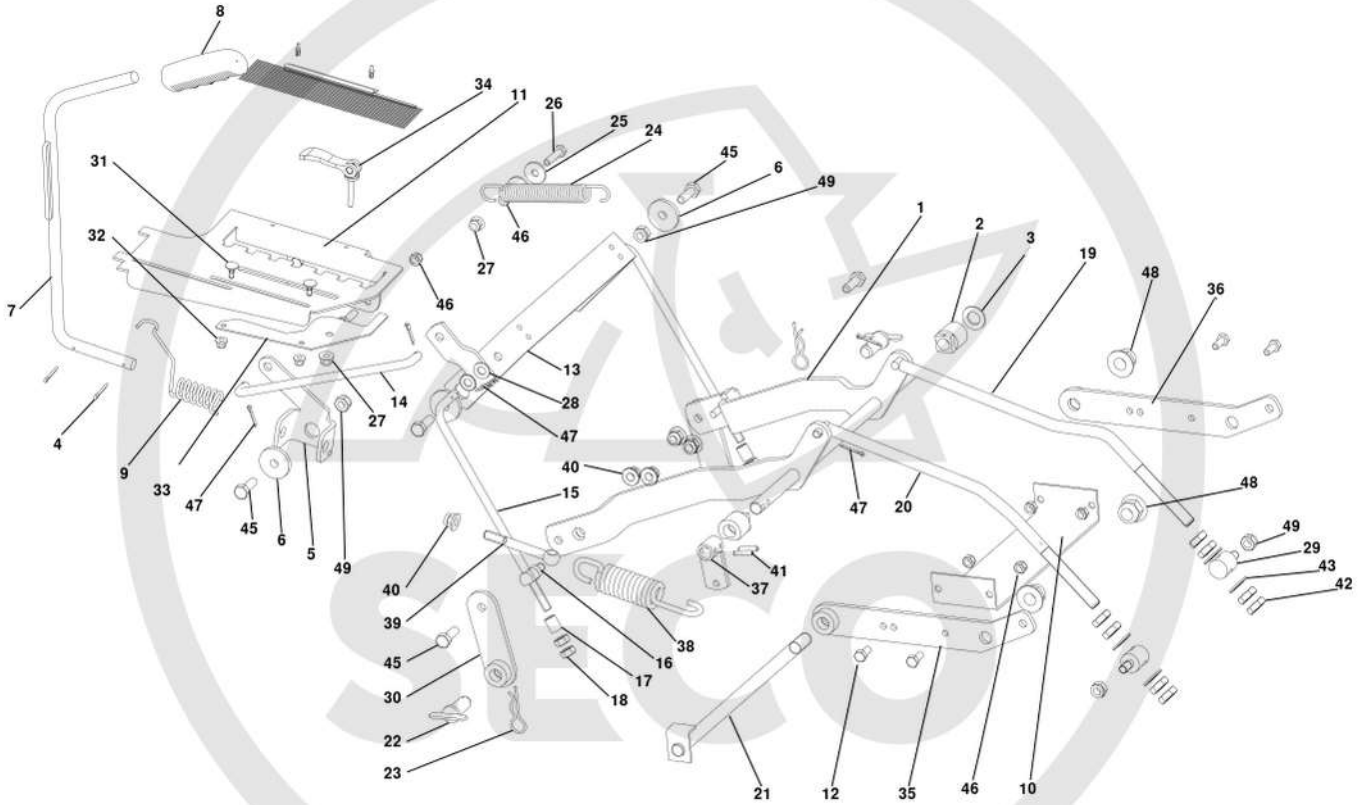
Steering UJ102



ID	Name	Item code	No.	UOM	Price
1	Steering rod 0-8041-338	N532151347	1	KS	3,53 EUR / KS
2	Joint head PHS 12 CN	N442073028	2	KS	3,02 EUR / KS
3	Nut M 12	N311150505	3	KS	0,05 EUR / KS
4	Eccentric	S532080272033	1	KS	5,31 EUR / KS
5	Spacer	S532195202593	1	KS	2,30 EUR / KS
6	Bearing	S532938542103	1	KS	9,42 EUR / KS
7	Bushing 1920 KU	N323721002	1	KS	0,76 EUR / KS
8	Spring pin 6x45	N315238031	1	KS	0,10 EUR / KS
9	Screw M 8x35 DIN 7991 10.9 Zinc	N309578534	1	KS	0,17 EUR / KS
10	Toothed Segment	S532033322453	1	KS	11,36 EUR / KS
11	Pinion compl.	S532930252043	1	KS	27,62 EUR / KS
12	Screw M 12X55.8.8 A3L ISO 8677	N309019522	1	KS	1,37 EUR / KS
13	Screw M 6X20	N309503548	2	KS	0,05 EUR / KS
14	Nut M 12	N311129505	1	KS	0,09 EUR / KS
15	Lock ring 19	N311733607	1	KS	0,09 EUR / KS
16	Nut M 6 DIN 6926	N311129525	2	KS	0,05 EUR / KS
17	Lubricating head MK 6x1	N425111004	1	KS	0,27 EUR / KS
18	Washer	S532092202053	1	KS	0,25 EUR / KS
19	Screw M12X40	N309503505	2	KS	0,42 EUR / KS
20	Washer 12	N311214504	2	KS	0,05 EUR / KS
21	Nut M 8	N311150503	1	KS	0,05 EUR / KS
22	WASHER	S532113326353	1	KS	3,07 EUR / KS
23	Nut M8 DIN 6923 8 Zinc. toothed	N311129520	1	KS	0,28 EUR / KS
24	Nut M 12 DIN 6923 8 Zinc. toothed	N311129521	2	KS	0,36 EUR / KS
25	Steering wheel 0-8020-201 UJ2014	N443821011	1	KS	26,26 EUR / KS
26	Steering-wheel cover 0-8516-201	N532151344	1	KS	0,53 EUR / KS

Model: KUJ7E-23-0001  
Group: KUJ06-21-0002

Mowing lifting UJ



katalóg 0-9091-237  
pro katalóg 0-9091-232 odmazat ucite pozice



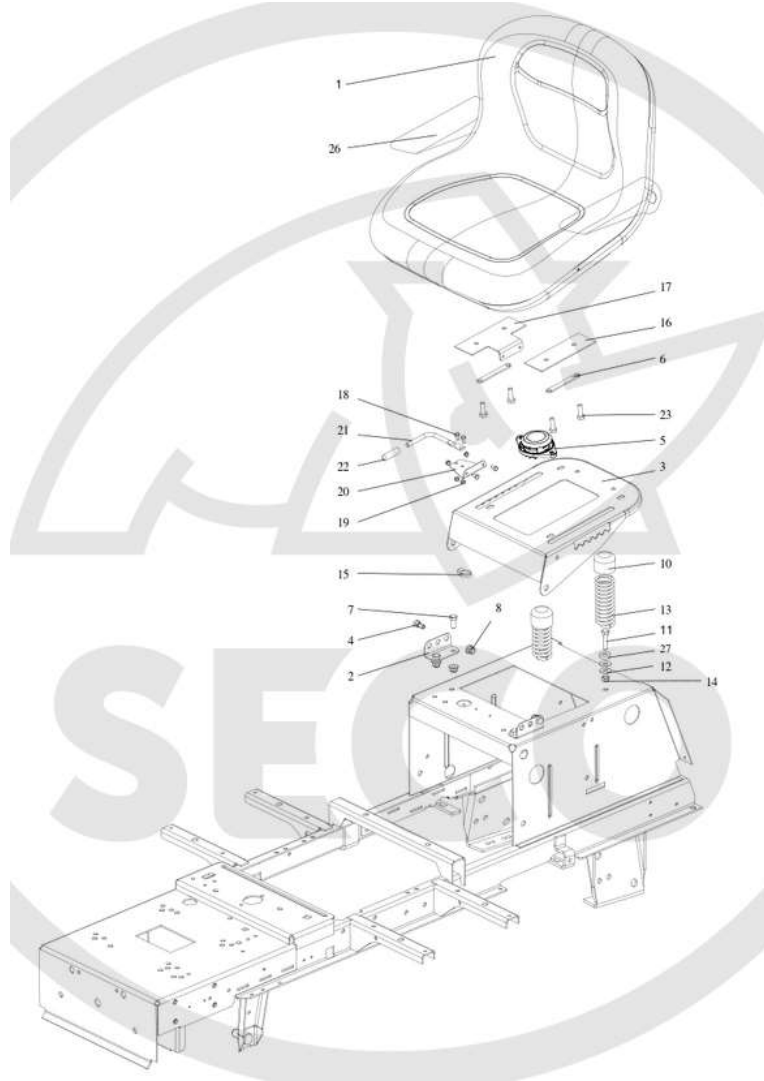
ID	Name	Item code	No.	UOM	Price
1	Lifting arms UJ	S532980508293	1	KS	37,61 EUR / KS
2	Case 0-9462-203	N722643024	2	KS	0,29 EUR / KS
3	Washer 17	N311210507	1	KS	0,06 EUR / KS
4	Spindle 3.2x25	N311338517	2	KS	0,05 EUR / KS
5	Lever holder	S532113415563	1	KS	3,09 EUR / KS
6	WASHER	S532092212293	3	KS	2,43 EUR / KS
7	Lifting lever	S532980412183	1	KS	12,75 EUR / KS
8	Handrail 0-8832-202	N532151357	1	KS	7,04 EUR / KS
9	Spring 0-9746-504 lifting	N315231265	1	KS	3,88 EUR / KS
10	Holder	S532080503673	1	KS	5,18 EUR / KS
11	Lifting segment 1to1	S532113422253	1	KS	10,85 EUR / KS
12	Screw M8X20	N309503518	4	KS	0,11 EUR / KS
13	Lifting holder	S532913413323	1	KS	12,28 EUR / KS
14	Lifting rod 0-8041-201 UJ	N532151358	1	KS	2,57 EUR / KS
15	Lifting rod 0-8041-346	N532151359	2	KS	4,79 EUR / KS
	Pin	S532090162083	2	KS	6,07 EUR / KS
17	Spacer	S532095213823	2	KS	2,33 EUR / KS
18	Nut M 10	N311150506	4	KS	0,05 EUR / KS
19	Lifting tie-rod L	S532980422503	1	KS	10,83 EUR / KS
20	Lifting tie-rod R	S532980422493	1	KS	10,83 EUR / KS
21	Lifting shaft UJ	S532938122583	1	KS	7,71 EUR / KS
22	Pin complete	S532993462343	2	KS	2,11 EUR / KS
23	Flexible spindle 0-9245-999	N315238003	2	KS	0,18 EUR / KS
24	Spring 0-9746-460	N315231193	1	KS	1,71 EUR / KS
25	Washer 9 Zinc	N311212517	2	KS	0,05 EUR / KS
26	Screw M 8X35	N309503543	3	KS	0,11 EUR / KS
27	Nut M 8 DIN 6926 8 Zinc	N532150290	2	KS	0,09 EUR / KS
28	Washer 10.5	N311210504	4	KS	0,05 EUR / KS
29	Screw	S532090162063	2	KS	6,58 EUR / KS
30	Lifting arm	S532980322193	2	KS	7,77 EUR / KS
31	Screw M6X16	N309019507	2	KS	0,05 EUR / KS
32	Nut M 6 DIN 6926	N311129525	2	KS	0,05 EUR / KS
33	Lifting backstop 1TO1	S532013322083	1	KS	1,81 EUR / KS
34	Excentric lever 04232-211108x30	N532151360	1	KS	13,02 EUR / KS
35	Lifting arm R	S532980508313	1	KS	10,11 EUR / KS
36	Lifting arm L	S532980508303	1	KS	10,11 EUR / KS
37	Lifting arm spring	S532980365413	1	KS	10,39 EUR / KS
38	Spring 0-9746-507 Lifting	N315231269	1	KS	6,09 EUR / KS
39	Screw M 10x90 DIN 444-4.6	N309510001	1	KS	1,35 EUR / KS
40	Nut M 10 DIN 6926 Zinc	N311129523	5	KS	0,12 EUR / KS
41	Spring pin 6x26 ISO 8748	N315238059	3	KS	0,12 EUR / KS
42	Nut M 14	N311120542	8	KS	0,14 EUR / KS
43	Washer 15	N311210511	4	KS	0,05 EUR / KS

44	Not used in this performance	NK00000000	2 KS	EUR /
45	Screw M 10X30	N309503510	5 KS	0,15 EUR / KS
46	Nut M 8	N311129501	7 KS	0,05 EUR / KS
47	Spindle 3.2x20	N311338516	6 KS	0,05 EUR / KS
48	Nut M 16 DIN 6926	N311129527	3 KS	0,45 EUR / KS
49	Nut M 10	N311129502	5 KS	0,05 EUR / KS

Model: KUJ7E-23-0001

Group: KUJ11-21-0001

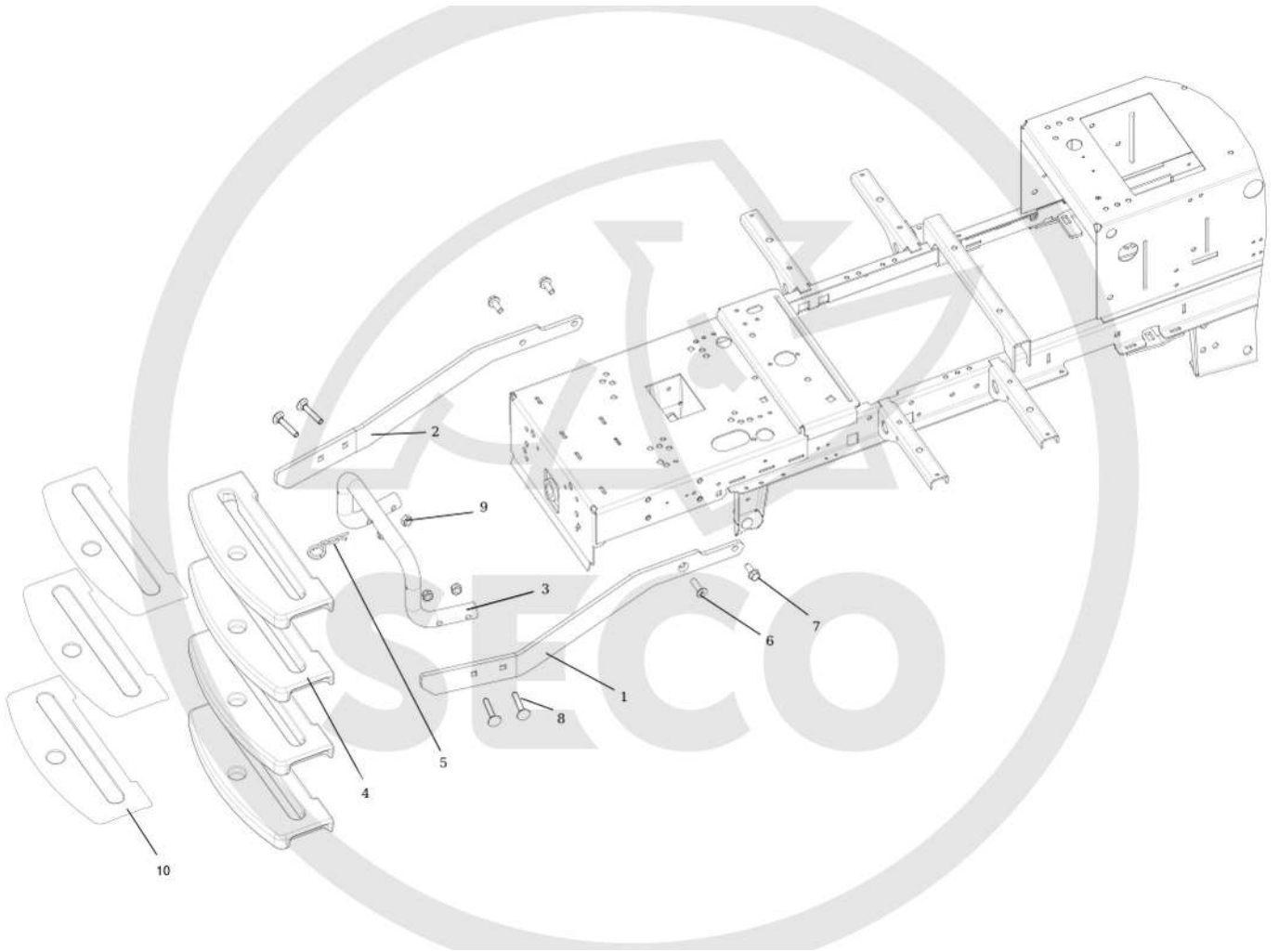
Hood nr.1 UJ VK



ID	Name	Item code	No.	UOM	Price
1	Seat SP 480 Milsco	N532150988	1	KS	77,83 EUR / KS
2	Carrier holder	S532113402403B	2	KS	1,75 EUR / KS
3	Seat carrier	S532018474683	1	KS	13,23 EUR / KS
4	Carrier screw 0-9016-427	N309599012	2	KS	0,51 EUR / KS
5	Seat switch DELTA 6500-02	N532150990	1	KS	5,48 EUR / KS
6	Distance washer	S532092322053	2	KS	0,74 EUR / KS
7	Screw M 8X25 DIN 6921 8.8 Zinc	N309578011	4	KS	0,26 EUR / KS
8	Nut M 8 DIN 6926 8 Zinc	N532150290	6	KS	0,09 EUR / KS
9	Not used in this performance	NK00000000	4	KS	EUR /
10	Cover 38/A PVC Black	N532150208	2	KS	0,32 EUR / KS
11	Screw M 8X40	N309503544	2	KS	0,11 EUR / KS
12	Washer 9 Zinc	N311212517	2	KS	0,05 EUR / KS
13	Spring 0-9746-441	N315231274	2	KS	2,24 EUR / KS
14	Nut M 8	N311129501	2	KS	0,05 EUR / KS
15	Clip WSBH 1-0-1	N532150211	1	KS	0,20 EUR / KS
16	Seat holder	S532113302013	1	KS	1,14 EUR / KS
17	Seat holder	S532113402073	1	KS	1,55 EUR / KS
18	Screw M 5x10	N309203545	4	KS	0,05 EUR / KS
19	Nut M5	N311129515	4	KS	0,05 EUR / KS
20	Seat spring	S532097402283	1	KS	1,87 EUR / KS
21	Seat tie rod 0-8043-310	N532151356	1	KS	3,53 EUR / KS
22	Cover 8X40 Vinyl-Flex black	N532150209	1	KS	0,14 EUR / KS
23	Screw M 8x25 DIN 7500 D	N309578540	4	KS	0,24 EUR / KS
24	Not used in this performance	NK00000000	2	KS	EUR /
25	Not used in this performance	NK00000000	2	KS	EUR /
26	Arm rests C 7494 BS	N532150989	1	SD	42,57 EUR / SD
27	Spacer	S532195202223	2	KS	2,11 EUR / KS

Model: KIJ7E-23-0001  
Group: KIJ12-18-0001

Starjet front weight UJ

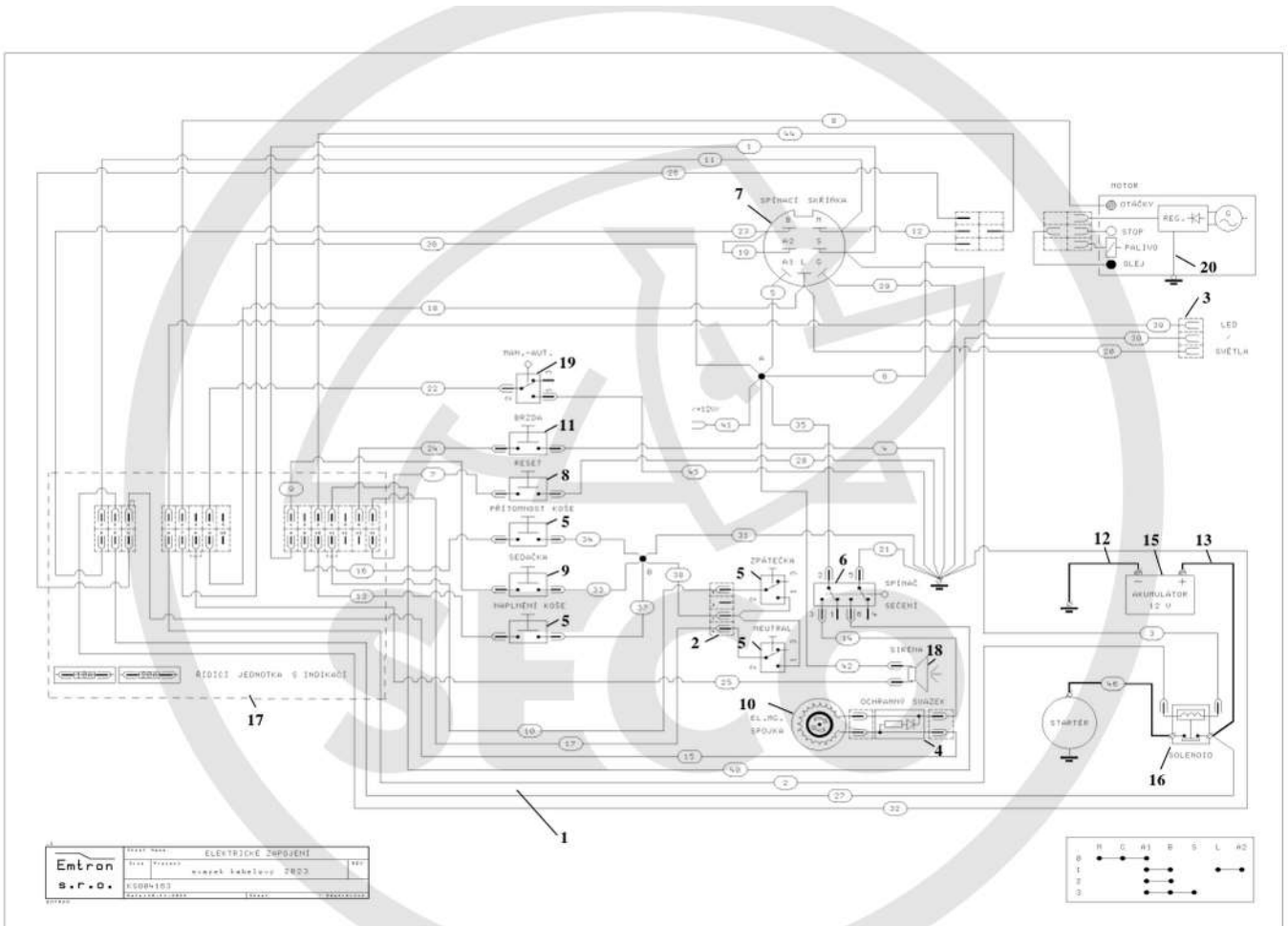


ID	Name	Item code	No.	UOM	Price
1	weight holder left	S532113403163	1	KS	14,21 EUR / KS
2	weight holder right	S532113403133	1	KS	13,19 EUR / KS
3	Frame, front weight	S532080452093	1	KS	36,03 EUR / KS
4	Additional weight	S532018322033	4	KS	29,15 EUR / KS
5	Flexible spindle SMPZD 040.150	N315238051	1	KS	0,51 EUR / KS
6	Screw M 10X35 DIN 7991 ZINK	N309578513	1	KS	EUR /
7	Screw M 10x25 DIN 6921	N309578554	3	KS	0,27 EUR / KS
8	Screw M 10x55	N309019509	4	KS	EUR /
9	Nut M 10	N311129502	4	KS	0,05 EUR / KS
10	Washer 0-9232-246	N273114008	3	KS	8,28 EUR / KS

Model: KUJ7E-23-0001

Group: KUJ13-23-0011

Electric installation AJ,UJ



Emtron s.p.o. ELEKTRICKÉ ZAPojENÍ  
 KUBA LEBEK kabelový ZBOJ

ID	Name	Item code	No.	UOM	Price
1	SVAZEK EL. VODIČŮ KS004163/AJ,UJ	N341271252	1	KS	EUR /
2	Switches harness KS 004081	N341271193	1	KS	3,94 EUR / KS
3	Lights connection KS004137 1to1	N341271222	1	KS	4,95 EUR / KS
4	Protective diodes harness 9-8316-	N341271052	1	KS	2,41 EUR / KS
5	Microswitch MKH 12 D 13-S1	N345359004	1	KS	7,49 EUR / KS
6	Switch VDD2S001 9ZZCR 100	N345329023	1	KS	16,22 EUR / KS
7	Switch box Delta 6900-47 P	N443861007	1	KS	10,45 EUR / KS
8	Switch 1932.3413	N345329025	1	KS	6,22 EUR / KS
9	Seat switch DELTA 6500-02	N532150990	1	KS	5,48 EUR / KS
10	Elmag. clutch I-5217-38	N532151196	1	KS	134,16 EUR / KS
11	Seat switch Delta 6440-04	N000532079	1	KS	3,03 EUR / KS
12	Cable 9-8316-570	N341271021	1	KS	1,45 EUR / KS
13	Cable 9-8316-624 solenoid+battery	N341271172	1	KS	3,58 EUR / KS
14	Not used in this performance	NK00000000	1	KS	EUR /
15	Battery 12V-32Ah ETECH F-ET-U1-R3	N346211009	1	KS	62,42 EUR / KS
16	Solenoid Trombetta 764-1221-210	N532151619	1	KS	7,50 EUR / KS
17	Display KS004162 2023	N443433016	1	KS	98,73 EUR / KS
18	Buzzer PF 27 A 29 EP	N443312021	1	KS	3,48 EUR / KS
19	Not used in this performance	NK00000000	1	KS	EUR /
20	Cable 9-8316-553	N341271006	1	KS	0,74 EUR / KS



Model: KIJ7E-23-0001  
Group: KIJ15-23-0005

Dashboard 1T01 UJ

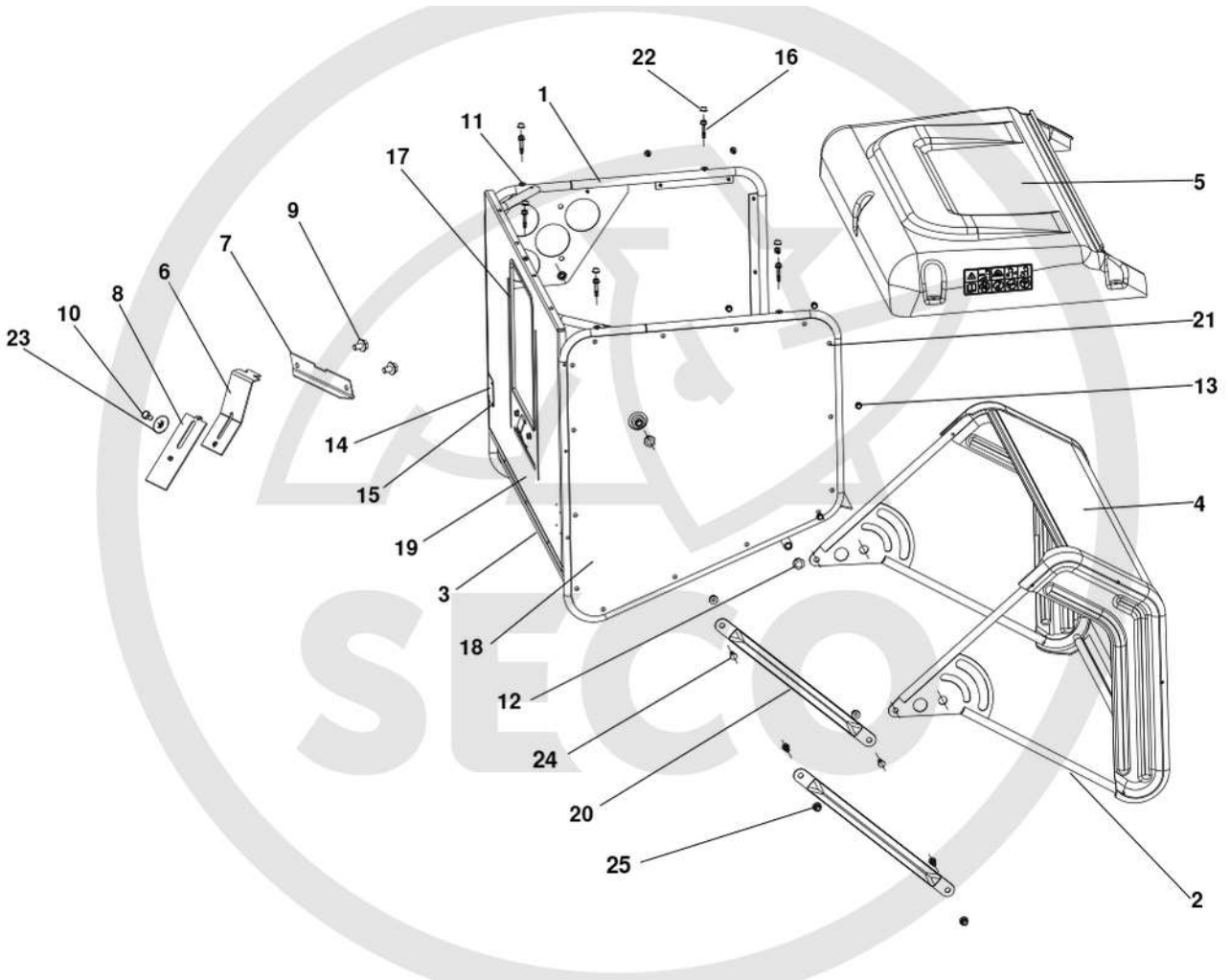


ID	Name	Item code	No.	UOM	Price
1	Dashboard 0-8048-362 1TO1 excl.	N532151873	1	KS	95,14 EUR / KS
2	Double fender 9-1847-326 1to1	N532151833	1	KS	48,67 EUR / KS
1	Battery cover 1to1	S532085472493	1	KS	12,70 EUR / KS
4	Foot-floor left/3 1to1	S532018472273	1	KS	21,07 EUR / KS
5	Screw M 8x25 ISO 7380-2	N309578565	4	KS	0,15 EUR / KS
6	Display KS004162 2023	N443433016	1	KS	98,73 EUR / KS
7	Solenoid Trombetta 764-1221-210	N532151619	1	KS	7,50 EUR / KS
8	Not used in this performance	NK00000000	1	KS	EUR /
9	Label 0-8732-336	N283292228	1	KS	0,27 EUR / KS
10	Label 0-8732-220 slope 12	N283293023	1	KS	0,42 EUR / KS
11	Ball BEARING FL M12	N324196022	1	KS	1,55 EUR / KS
12	Screw M 6X20	N309503548	2	KS	0,05 EUR / KS
13	Washer 6.4	N311210502	2	KS	0,05 EUR / KS
14	Nut M 6	N311129513	4	KS	0,05 EUR / KS
15	Cover 273 125 020 050	N273125006	2	KS	0,28 EUR / KS
16	Clip WSBH 1-0-1	N532150211	9	KS	0,20 EUR / KS
17	Screw M 8X25	N309503512	2	KS	0,11 EUR / KS
18	Screw M 5x12 DIN 7500D BN3326	N309578544	1	KS	0,05 EUR / KS
19	Steering wheel bushing 0-1652-226	N321841069	1	KS	1,38 EUR / KS
20	Screw M 6X25 DIN7991 10.9 Zinc	N309578503	2	KS	0,09 EUR / KS
21	Nut M 6 DIN 6926	N311129525	2	KS	0,05 EUR / KS
22	Ring 10x1,8 NBR SH 80	N273111104	4	KS	0,08 EUR / KS
23	Seating D7-201-802-010	N532150903	4	KS	0,38 EUR / KS
24	Pin D7-201-711-010	N532150904	4	KS	0,38 EUR / KS
25	Foot-floor holder 1TO1 2022	S532113413153	2	KS	2,11 EUR / KS
26	Silentblock backstop M6x18-25x12	N273192074	2	KS	1,72 EUR / KS
27	Foot-floor right/3 1to1	S532018472293	1	KS	21,07 EUR / KS
28	Foot-floor middle/3 1TO1	S532018472303	1	KS	14,06 EUR / KS
29	Not used in this performance	NK00000000	1	KS	EUR /
30	Ring 26x2	N273111038	1	KS	0,05 EUR / KS
31	Not used in this performance	NK00000000	1	KS	EUR /
32	Case 0-8642-236	N532151194	1	KS	5,76 EUR / KS
33	Switch VDD2S001 9ZZCR 100	N345329023	1	KS	16,22 EUR / KS
34	Switch box Delta 6900-47 P	N443861007	1	KS	10,45 EUR / KS
35	Starting key DELTA 688P-001	N443900137	1	SD	3,02 EUR / SD
36	Blind flange VL 35X25X1-3 black	N321841085	1	KS	EUR /
37	Not used in this performance	NK00000000	1	KS	EUR /
38	Steering column UJ	S532916422013	1	KS	25,83 EUR / KS
39	Buzzer PF 27 A 29 EP	N443312021	1	KS	3,48 EUR / KS
40	Label 1-8732-848 panel V2	N283293604	1	KS	2,14 EUR / KS
41	Sticker 1-8732-838 Dash-board R	N283293596	1	KS	3,71 EUR / KS
42	Not used in this performance	NK00000000	1	KS	EUR /
43	Switch 1932.3413	N345329025	1	KS	6,22 EUR / KS

44	BATTERY HOLDER	S532113425353	2 KS	3,74 EUR / KS
45	Screw M8x45	N309503559	1 KS	0,10 EUR / KS
46	Blind flange G 20X15 (europlast)	N321841093	2 KS	0,41 EUR / KS
47	Panel reinforcement 1TO1	S532113422263	1 KS	15,03 EUR / KS
48	Screw M 5x16 ISO 7380 8.8	N309578532	2 KS	0,09 EUR / KS
49	Nut M 5 DIN 6926 Zinc	N311129524	2 KS	0,05 EUR / KS
50	Washer 5.3	N311212511	2 KS	0,05 EUR / KS
51	Cover, upper L 0-8547-251 1TO1	N532151834	1 KS	16,64 EUR / KS
52	Cover, upper L 0-8547-251 1TO1	N532151835	1 KS	16,64 EUR / KS
53	Screw M8x20 DIN 7500D BN 3326	N309578009	2 KS	0,21 EUR / KS
54	Fender, rear L 1TO1	S532113422283	1 KS	11,67 EUR / KS
55	Fender, rear R 1TO1	S532113422293	1 KS	11,67 EUR / KS
56	Screw M 8X16	N309503517	6 KS	0,05 EUR / KS
57	Nut M 8	N311129501	7 KS	0,05 EUR / KS
58	Screw M 6x12 DIN 7500 BN 3326	N309578546	8 KS	0,06 EUR / KS
59	Nut M 8 DIN 6926 8 Zinc	N532150290	6 KS	0,09 EUR / KS
60	Shell Nut M5 8366220000	N311101002	18 KS	0,33 EUR / KS
61	Screw M 5x16 ISO 7380-2 black Zn	N309578566	18 KS	0,05 EUR / KS

Model: KUJ7E-23-0001  
Group: KUJ16-21-0010

UJ grasscollector

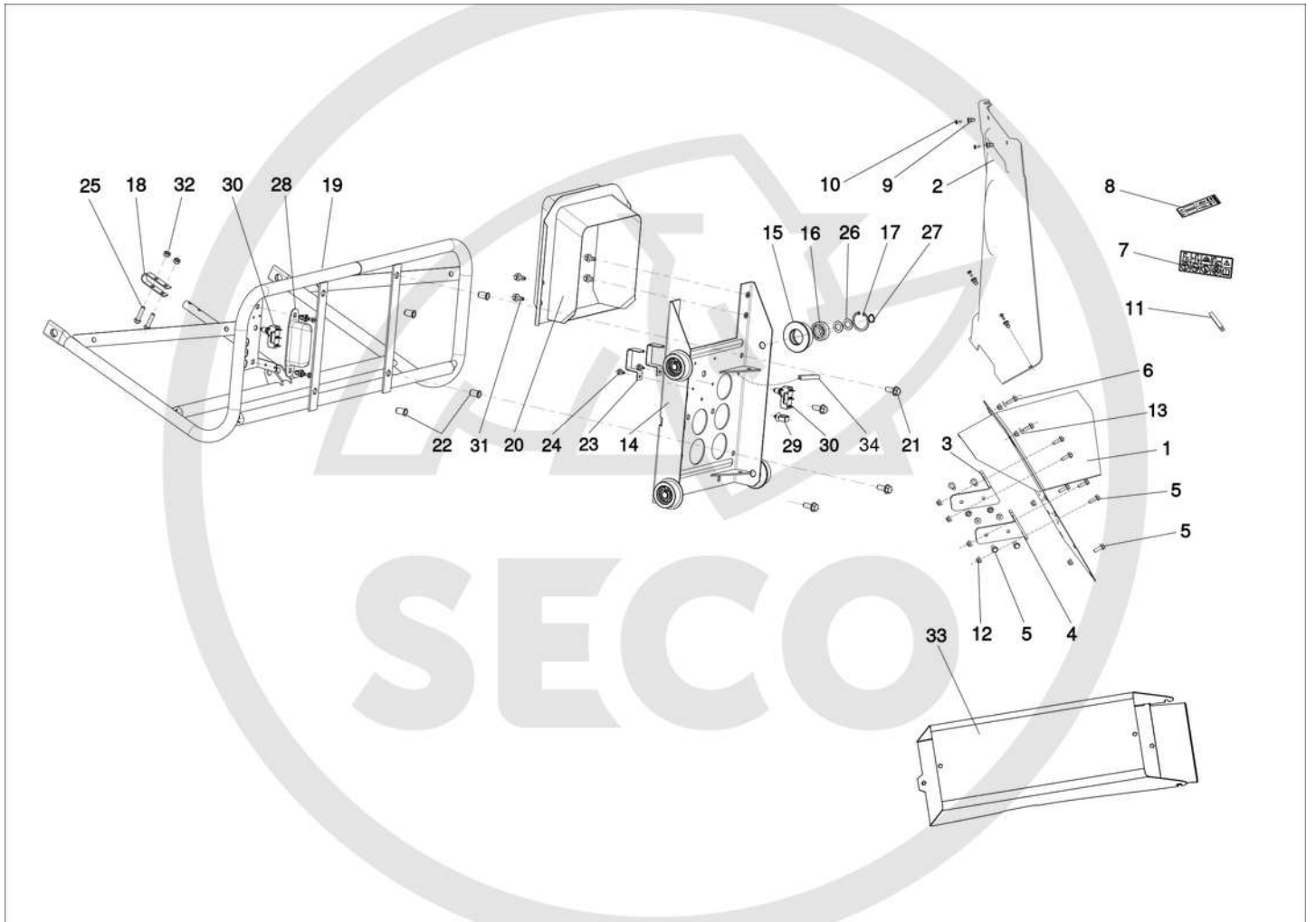


ID	Name	Item code	No.	UOM	Price
1	grassbox weldment	S532974472803	1	KS	160,42 EUR / KS
2	grassbox cover frame	S532974472813	1	KS	51,62 EUR / KS
3	grassbox bottom 9-7432-224	N532151701	1	KS	20,66 EUR / KS
4	Cover bag VK 9-7432-225	N532151700	1	KS	68,43 EUR / KS
5	grassbox cover 0-7447-299	N532151699	1	KS	52,80 EUR / KS
6	plug plate	S532014412153	1	KS	1,89 EUR / KS
7	carrier	S532013402203	1	KS	1,35 EUR / KS
8	Plug plate	S532014417353	1	KS	0,41 EUR / KS
9	Screw M 6x12 DIN 7500 BN 3326	N309578546	2	KS	0,06 EUR / KS
10	Screw M6X16	N309503508	1	KS	0,05 EUR / KS
11	Washer rubber 6.4x14x1.2	N273192056	5	KS	0,06 EUR / KS
12	grassbox screw M12	S532090162113	4	KS	4,61 EUR / KS
13	Screw M 6x12 DIN 7500 BN 3326	N309578546	14	KS	0,06 EUR / KS
14	switch rest	S532013412183	1	KS	0,28 EUR / KS
15	rivet 3.2X7.9 AL/ST DIN7337	N311691008	4	KS	0,05 EUR / KS
16	Screw ST 6.3X32 DIN 7504 K	N309315013	5	KS	0,05 EUR / KS
17	trimming A1009	N273232026	2	M	3,49 EUR / M
18	perforated side	S532074302373	2	KS	33,99 EUR / KS
19	perforated back	S532074302383	1	KS	39,77 EUR / KS
20	coupling	S532074302183	2	KS	0,57 EUR / KS
21	rivet 4.8X10 AL/ST	N311691009	44	KS	0,08 EUR / KS
22	Cap 035 0612 220 03 Dual	N532151425	5	KS	0,11 EUR / KS
23	Control head 0-8060-201	N532151790	1	KS	0,47 EUR / KS
24	Carrier screw 0-9016-427	N309599012	4	KS	0,51 EUR / KS
25	Nut M 8 DIN 6926 8 Zinc	N532150290	4	KS	0,09 EUR / KS

Model: KUJ7E-23-0001

Group: KUJ17-22-0007

Tunnel

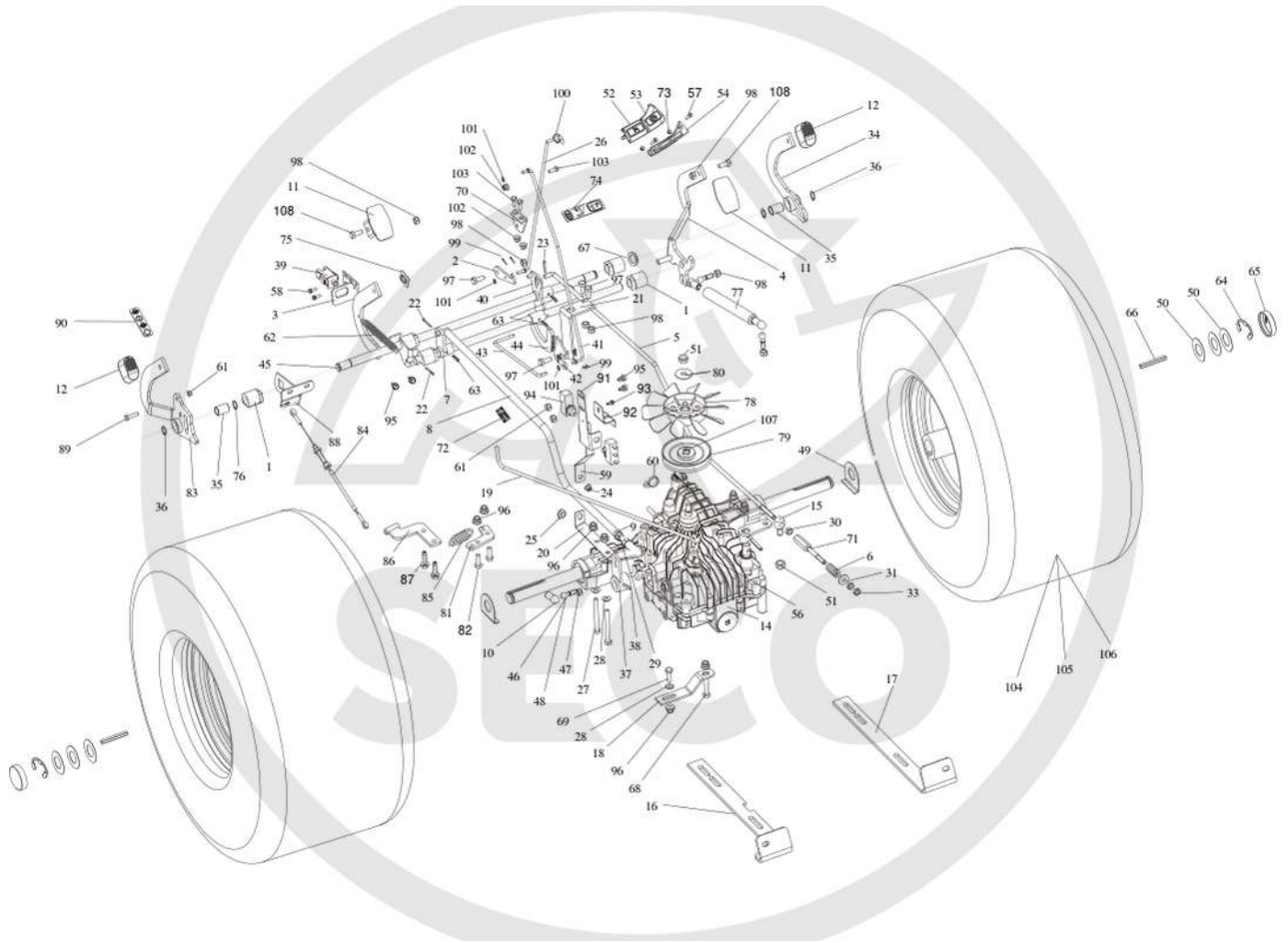


ID	Name	Item code	No.	UOM	Price
1	tunnel cover UJ	S532974422493	1	KS	59,16 EUR / KS
2	KRYT LIŽIN 0-8540-211A	N532151635A	1	KS	31,41 EUR / KS
3	Spacer right	S532012402093	1	KS	2,92 EUR / KS
4	Spacer left	S532012402103	1	KS	2,92 EUR / KS
5	Screw M 8X30 DIN 6921 8.8 Zinc	N309578012	12	KS	0,26 EUR / KS
6	Screw M 8X25 KL 100 RIPP V Zinc	N309503005	2	KS	0,43 EUR / KS
7	Label 1-8732-458 Safety instructi	N283293221	2	KS	0,79 EUR / KS
8	Label 1-8732-459 control. instruc	N283293222	1	KS	0,70 EUR / KS
9	Seating D7-201-802-010	N532150903	6	KS	0,38 EUR / KS
10	Pin D7-201-711-010	N532150904	6	KS	0,38 EUR / KS
11	Braid, grass box-board	S532096342203	1	KS	0,32 EUR / KS
12	Nut M 8 DIN 6926 8 Zinc	N532150290	20	KS	0,09 EUR / KS
13	Washer 9 Zinc	N311212517	2	KS	0,05 EUR / KS
14	Carrier	S532974422443	1	KS	63,75 EUR / KS
15	Roller	S532016252013	4	KS	11,10 EUR / KS
16	Bearing 6302 2RS	N324163038	4	KS	4,59 EUR / KS
17	Safety Ring 42	N311733080	4	KS	0,12 EUR / KS
18	stirrup	S532015412053	1	KS	3,55 EUR / KS
19	console	S532974472823	1	KS	135,95 EUR / KS
20	tunnel	S532974422453	1	KS	18,35 EUR / KS
21	Screw M10X25KL100 Ripp. V. DACROM	N309578529	4	KS	0,81 EUR / KS
22	rivet nut	N311693003	4	KS	1,00 EUR / KS
23	stopper	S532014412143	2	KS	1,19 EUR / KS
24	Screw M 6x10 DIN 7500 D	N309578545	2	KS	0,06 EUR / KS
25	Screw M 8X40	N309503544	1	KS	0,11 EUR / KS
26	Distance washer	S532092202083	8	KS	0,43 EUR / KS
27	Lock ring I5	N311733005	4	KS	0,05 EUR / KS
28	Switch cover 0-8540-207	N532151506	1	KS	2,68 EUR / KS
29	Clip WSBH 1-0-1	N532150211	2	KS	0,20 EUR / KS
30	Microswitch MKH 12 D 13-S1	N345359004	2	KS	7,49 EUR / KS
31	Screw M 8x16 DIN 7500 D BN3326	N309578520	4	KS	0,24 EUR / KS
32	Nut M 8	N311129501	1	KS	0,05 EUR / KS
33	Discharge tunnel UJ102	S532974472723	1	KS	41,31 EUR / KS
34	Braid	S532096342193	2	KS	0,16 EUR / KS

Model: KIJ7E-23-0001

Group: KIJ18-23-0008

Drive and brake control UJ/1TO1





ID	Name	Item code	No.	UOM	Price
1	Case 0-9462-203	N722643024	5	KS	0,29 EUR / KS
1	Latch	S532037322233	1	KS	1,46 EUR / KS
3	Switch holder	S532113402693	1	KS	1,66 EUR / KS
4	Travel lever UJ	S532980442663	1	KS	22,60 EUR / KS
5	Brake rod 0-8041-202 K62	N532151369	1	KS	5,00 EUR / KS
6	Spring TLZ 250.150.0530 Zinc	N315231240	1	KS	0,43 EUR / KS
7	Arm complete	S532980364823	1	KS	5,51 EUR / KS
8	Travel lever	S532980422023	1	KS	10,74 EUR / KS
9	Nut M 10	N311150506	1	KS	0,05 EUR / KS
10	Ball bushing 16DIN71805B ZnBN489	N442073005	1	KS	3,69 EUR / KS
11	Foot pedal plastic 0-8051-202	N532151568	2	KS	0,94 EUR / KS
12	Pedal cover 0-8832-234	N273151013	2	KS	2,51 EUR / KS
13	Not used in this performance	NK00000000	1	KS	EUR /
14	Transmission K664 E Tuff Torq	N532991058	1	KS	1,064.33 EUR / KS
15	Screw	S532090164473	1	KS	8,33 EUR / KS
16	Plate holder left	S532113408693	1	KS	5,78 EUR / KS
17	Plate holder right	S532113408703	1	KS	5,78 EUR / KS
18	Gear-box holder K46/K62 UJ	S532113412043	1	KS	2,35 EUR / KS
19	Bypass rod 0-8041-204	N532151370	1	KS	2,28 EUR / KS
20	Bypass holder K62	S532113402063	1	KS	1,18 EUR / KS
21	Safety pin holder	S532113408673	1	KS	1,81 EUR / KS
22	Spindle 3.2x25	N311338517	5	KS	0,05 EUR / KS
23	Spindle 3.2x20	N311338516	1	KS	0,05 EUR / KS
24	Nut M 10 DIN 6926 Zinc	N311129523	1	KS	0,12 EUR / KS
25	Rubber sleeve 9x2	N273121014	1	KS	0,20 EUR / KS
26	Latch tie rod 0-8042-210 1to1	N532151747	1	KS	4,47 EUR / KS
27	Screw M 8x85	N309501573	4	KS	0,21 EUR / KS
28	Washer 8.4	N311210503	5	KS	0,05 EUR / KS
29	Washer 10.5	N311210504	1	KS	0,05 EUR / KS
30	Nut M 8	N311150503	1	KS	0,05 EUR / KS
31	Washer 8.4	N311210503	1	KS	0,05 EUR / KS
32	Not used in this performance	NK00000000	1	KS	EUR /
33	Nut M 8	N311120520	2	KS	0,05 EUR / KS
34	Reverse pedal UJ	S532980463483	1	KS	11,04 EUR / KS
35	Bushing 1625 KU	N323721006	2	KS	0,81 EUR / KS
36	Ring 16	N311733006	4	KS	0,05 EUR / KS
37	LEVER - COMPLETE	S532929462053	1	KS	4,73 EUR / KS
38	Spring pin 6X40	N315238049	1	KS	0,11 EUR / KS
39	Seat switch Delta 6440-04	N000532079	1	KS	3,03 EUR / KS
40	Brake foot complete	S532980365403	1	KS	9,58 EUR / KS
41	Cruise-control tie rod 0-8042-211	N532151748	1	KS	4,65 EUR / KS
42	Cruise control latch	S532037322253	1	KS	1,03 EUR / KS
43	Rod of Cruise-control resetting	N532151724	1	KS	3,73 EUR / KS

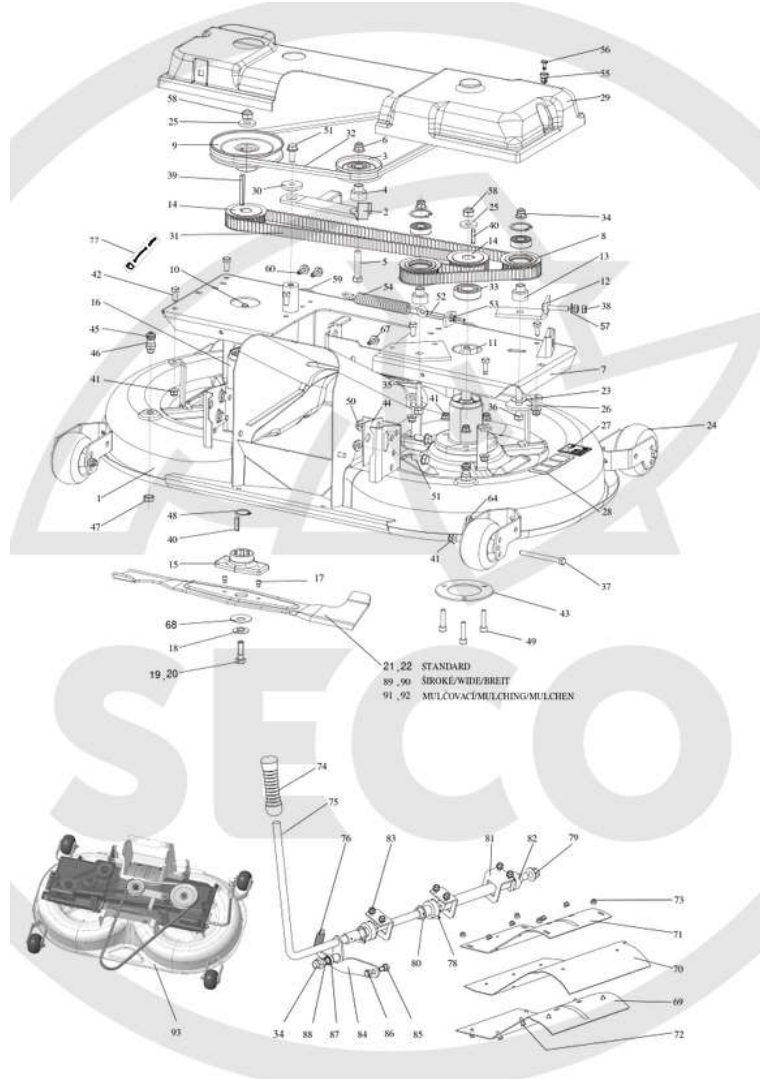
44	Cruise control ratchet	S532937362103	1	KS	8,77	EUR / KS
45	Brake pedal UJ	S532980442653	1	KS	24,21	EUR / KS
46	Zinc Angle Joint 16Din	N442073003	1	KS	1,36	EUR / KS
47	Nut M 10 DIN 6923 8 Zinc. toothed	N311129516	1	KS	0,20	EUR / KS
48	SAFETY U - STRAP 16 DIN 71805 S Z	N442073006	1	KS	0,25	EUR / KS
49	Washer	S532092208553	2	KS	1,74	EUR / KS
50	Washer	S532092208083	10	KS	0,59	EUR / KS
51	Nut M 10	N311129502	2	KS	0,05	EUR / KS
52	Cruise-control lever 0-8066-205	N443900162	1	KS	1,03	EUR / KS
53	Parking lever 0-8066-206 1to1	N443900160	1	KS	1,03	EUR / KS
54	Lever holder,cc.&brake 0-8066-207	N443900161	1	KS	1,45	EUR / KS
55	Not used in this performance	NK00000000	1	KS		EUR /
56	Washer 6.4	N311210502	1	KS	0,05	EUR / KS
57	Screw M 5x25 DIN7991 10.9 Zinc	N309578510	2	KS	0,05	EUR / KS
58	Screw M 5x12 DIN 7500D BN3326	N309578544	2	KS	0,05	EUR / KS
59	Reset spring	S532097412053	1	KS	2,82	EUR / KS
60	Clip WSBH 1-0-1	N532150211	1	KS	0,20	EUR / KS
61	Nut M 6	N311129513	2	KS	0,05	EUR / KS
62	Spring 0-9746-445	N315231161	1	KS	0,46	EUR / KS
63	Spring pin 5x22 ISO 8748	N315238058	3	KS	0,05	EUR / KS
64	Lock ring SE-98 1	N311732024	2	KS	0,11	EUR / KS
65	Cap 0-8025-201 49x25	N532151655	2	KS	1,03	EUR / KS
66	Key 0-9231-224	N311726100	2	KS	0,28	EUR / KS
67	Washer 17	N311210507	2	KS	0,06	EUR / KS
68	Bolt M5x35	N309503556	1	KS	0,12	EUR / KS
69	Screw M 8X25 DIN 6921 8.8 Zinc	N309578011	1	KS	0,26	EUR / KS
70	Ratchet holder	S532113408683	1	KS	1,05	EUR / KS
71	Screw 0-8011-246 K62	N309599043	1	KS		EUR /
72	Label 0-8732-311	N283292192	1	KS	0,14	EUR / KS
73	Nut M 5 DIN 6926 Zinc	N311129524	2	KS	0,05	EUR / KS
74	Label 0-8732-208 Travel	N283293028	1	KS	0,42	EUR / KS
75	Label 1-8732-363 Brake	N283293029	1	KS	0,17	EUR / KS
76	Washer 16X22X1 DIN 988 L 07	N311219496	2	KS	0,25	EUR / KS
77	Travel damper K22 621 100 006	N532151429	1	KS	42,71	EUR / KS
78	Fan P/N 5069481-01	N532150414	1	KS	4,80	EUR / KS
79	Travel pulley	S532933252883	1	KS	33,95	EUR / KS
80	Washer 11	N311212507	1	KS	0,11	EUR / KS
81	Footing	S532080302833	1	KS	1,05	EUR / KS
82	Screw M 8X25	N309503512	2	KS	0,11	EUR / KS
83	Diff-lock pedal UJ	S532980462163	1	KS	13,74	EUR / KS
84	Cable connection diff-lock	N443900154	1	KS	9,03	EUR / KS
85	Spring 0-9746-493 Diff.lock	N315231239	1	KS	1,46	EUR / KS
86	Holder	S532913462813	1	KS	4,19	EUR / KS
87	Screw M8X30 DIN 7500D BN 3326	N309578518	2	KS	0,34	EUR / KS
88	Diff-lock & cable holder UJ	S532113402443	1	KS	3,81	EUR / KS

89	Screw M 6X25	N309503551	1 KS	0,11 EUR / KS
90	Label 1-8732-401 diff-lock UJ	N283293164	1 KS	0,15 EUR / KS
91	Switch holder UJ	S532014402173	1 KS	1,64 EUR / KS
92	Neutral-switch cover	S532014412013	1 KS	1,06 EUR / KS
93	Screw M 4X8 D 7500 D	N309578507	1 KS	0,09 EUR / KS
94	Microswitch MKH 12 D 13-S1	N345359004	2 KS	7,49 EUR / KS
95	Screw M 6x10 DIN 7500 D	N309578545	4 KS	0,06 EUR / KS
96	Nut M 8 DIN 6926 8 Zinc	N532150290	8 KS	0,09 EUR / KS
97	Screw M8X20	N309503518	4 KS	0,11 EUR / KS
98	Nut M 8	N311129501	8 KS	0,05 EUR / KS
99	Spindle 1.6x12	N311338513	8 KS	0,05 EUR / KS
100	Lock ring 14	N311733004	2 KS	0,05 EUR / KS
101	Washer 5.3	N311210501	8 KS	0,05 EUR / KS
102	Nut M 6 DIN 6926	N311129525	3 KS	0,05 EUR / KS
103	Screw M 6X20	N309503548	2 KS	0,05 EUR / KS
104	Wheel rear 20x10.00-8 Grassmaster	N532940166	2 KS	71,74 EUR / KS
105	Wheel disc rear 7.00lx8H2 OTR SK2	N325111025	2 KS	26,66 EUR / KS
106	Tyre rear 20/10x8 Multi trac	N274161024	2 KS	44,88 EUR / KS
107	Ring 26x2	N273111038	1 KS	0,05 EUR / KS
108	Screw M 8X20	N309543506	2 KS	0,05 EUR / KS

Model: KUJ7E-23-0001

Group: KUJ20-22-0005

Mowing unit UJ102



ID	Name	Item code	No.	UOM	Price
1	Blades cover compl. plug UJ	S532950472393	1	KS	169,06 EUR / KS
2	Holder compl.	S532913424393	1	KS	10,84 EUR / KS
3	Pulley Compensa C-00237/2	N532150784	1	KS	5,52 EUR / KS
4	Pulley spacer	S532094212013	1	KS	3,07 EUR / KS
5	Screw M 10X55	N309203525	1	KS	0,15 EUR / KS
6	Nut M 10 DIN 6926 Zinc	N311129523	3	KS	0,12 EUR / KS
7	Main board	S532985423963	1	KS	36,72 EUR / KS
8	Pulley 28 Z 9-3371-312	N532150836	2	KS	11,21 EUR / KS
9	Pulley compl. 9-3325-234	N532150165	1	KS	13,81 EUR / KS
10	Shaft	S532038128033	1	KS	20,36 EUR / KS
11	Shaft	S532038128023	1	KS	19,49 EUR / KS
12	Foot compl.	S532914412013	1	KS	4,57 EUR / KS
13	Pulley spacer	S532094212013	2	KS	3,07 EUR / KS
14	Pulley 9-3371-277	N532150860	2	KS	9,94 EUR / KS
15	Flange	S532098212403	2	KS	12,88 EUR / KS
16	Flange	S532038523833	2	KS	18,94 EUR / KS
17	Shear Stud 0-9311-736 ( 100 PCs )	N532980077	4	KS	12,30 EUR / 100 KS
18	Washer	S532092207493	2	KS	1,08 EUR / KS
19	Screw 0-9011-283 M10 Left	N309599008	1	KS	1,38 EUR / KS
20	Screw 0-9011-287 M10	N309599017	1	KS	1,03 EUR / KS
21	Rotary blade left (102)	S532050422103	1	KS	17,97 EUR / KS
22	Rotary blade right (102)	S532050422113	1	KS	17,97 EUR / KS
23	Washer	S532092202133	5	KS	0,75 EUR / KS
24	Cutting wheel Etop 100-8,2	N532940128	4	KS	3,68 EUR / KS
25	Washer	S532092207273	2	KS	0,27 EUR / KS
26	Washer	S532092207533	1	KS	0,95 EUR / KS
27	Label 0-8732-559 Noise 100 dB	N283292437	1	KS	0,25 EUR / KS
28	Decal-safety 0-8730-510	N283292121	2	KS	0,12 EUR / KS
29	Pulley cover 0-8547-206 102	N532151373	1	KS	17,84 EUR / KS
30	WASHER	S532092212293	1	KS	2,43 EUR / KS
31	Two-sided toothed belt 1760	N272211006	1	KS	32,34 EUR / KS
32	V-belt B 17x1425 Li BBT	N272731239	1	KS	8,16 EUR / KS
33	Bearing 6205 2 RS C 66IB	N324162099	4	KS	2,86 EUR / KS
34	Nut M 10 DIN 6926 Zinc	N311129523	2	KS	0,12 EUR / KS
35	Screw M 10X55	N309203525	1	KS	0,15 EUR / KS
36	Screw M 10X60	N309503577	1	KS	0,26 EUR / KS
37	Screw M 8X90	N309501567	4	KS	0,19 EUR / KS
38	Nut M 8	N311150503	2	KS	0,05 EUR / KS
39	Tongue 6E7x6x63	N311726086	1	KS	0,40 EUR / KS
40	Key 6E7X6X28	N311726091	3	KS	0,31 EUR / KS
41	Nut M 8 DIN 6926 8 Zinc	N532150290	16	KS	0,09 EUR / KS
42	Screw M8X20	N309503518	6	KS	0,11 EUR / KS
43	Cutting reinforcement	S532098203373	2	KS	4,20 EUR / KS

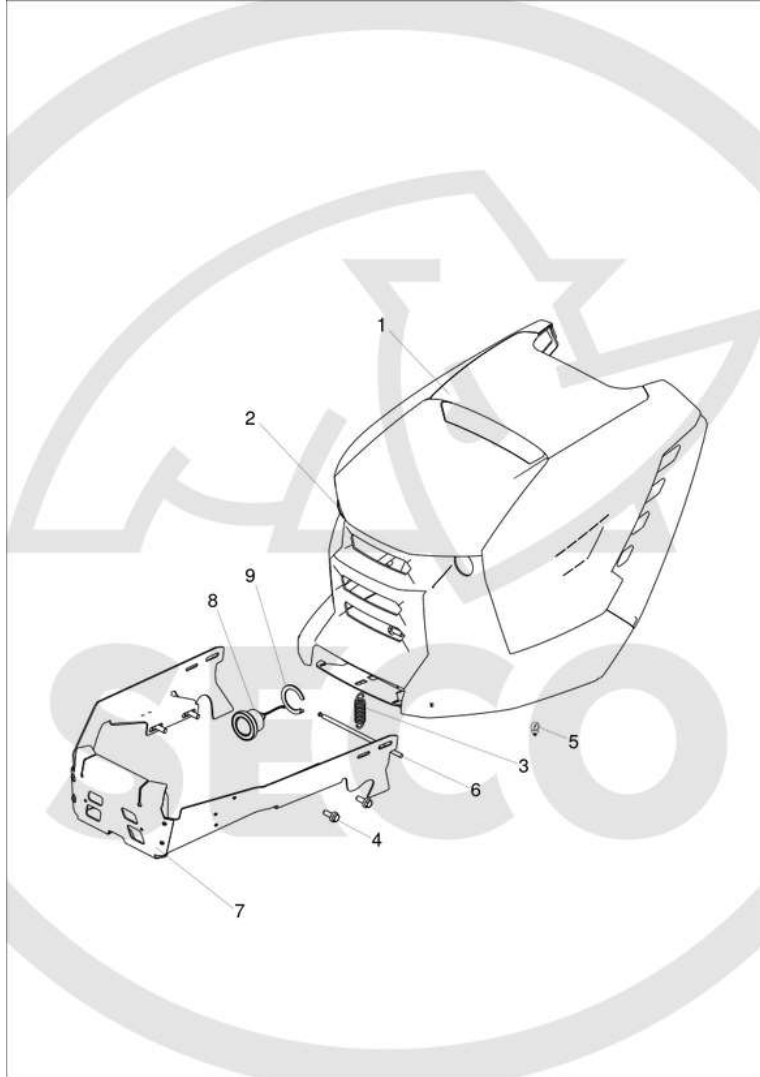
44	Cutting foot	S532014417363	2 KS	1,78 EUR / KS
45	Quick fastener 0-9026-246	N532150533	2 KS	2,65 EUR / KS
46	Ring 10.78X2.62 NBR 70-SH	N273111057	2 KS	0,11 EUR / KS
47	Nut M 12	N311120511	2 KS	0,05 EUR / KS
48	Lock ring 25	N311733014	2 KS	0,14 EUR / KS
49	Screw M 8X35	N309503543	6 KS	0,11 EUR / KS
50	Nut M10 RIPP KL 10 BN 2798	N311129522	4 KS	0,63 EUR / KS
51	Screw M10X25KL100 Ripp. V. DACROM	N309578529	5 KS	0,81 EUR / KS
52	Screw M 6x80 with eye BN1006 Zinc	N309578523	1 KS	0,76 EUR / KS
53	Nut M 6 DIN 6926	N311129525	1 KS	0,05 EUR / KS
54	Spring 0-9746-460	N315231193	1 KS	1,71 EUR / KS
55	Seating D7-201-802-010	N532150903	2 KS	0,38 EUR / KS
56	Pin D7-201-711-010	N532150904	2 KS	0,38 EUR / KS
57	Washer 9 Zinc	N311212517	1 KS	0,05 EUR / KS
58	Nut M 12	N311129505	2 KS	0,09 EUR / KS
59	Backstop	S532114322063	2 KS	1,48 EUR / KS
60	SCREW M 6X16 DIN 7500D BN 3326	N309578517	4 KS	0,10 EUR / KS
61	Not used in this performance	NK00000000	1 KS	EUR /
62	Not used in this performance	NK00000000	1 KS	EUR /
63	Not used in this performance	NK00000000	1 KS	EUR /
64	Not used in this performance	NK00000000	1 KS	EUR /
65	Not used in this performance	NK00000000	1 KS	EUR /
66	Not used in this performance	NK00000000	1 KS	EUR /
67	Screw M 8x16 DIN 7500 D BN3326	N309578520	2 KS	0,24 EUR / KS
68	Washer BN 806-40x16.3x2x3.1	N311219503	2 KS	0,95 EUR / KS
69	Plug UJ	S532980422523	1 KS	18,15 EUR / KS
70	Shield 0-9632-206 UJ T1	N273192062	1 KS	1,77 EUR / KS
71	Holder	S532113412143	1 KS	4,42 EUR / KS
72	Screw M 5X12	N309203548	8 KS	0,05 EUR / KS
73	Nut M 5 DIN 6926 Zinc	N311129524	8 KS	0,05 EUR / KS
74	Handle 511-035-14 (32x114) black	N532151195	1 KS	1,55 EUR / KS
75	Plug lever UJ	S532980412013	1 KS	29,35 EUR / KS
76	Spring 0-9746-506 2.25	N315231267	1 KS	1,70 EUR / KS
77	Label 1-8732-485 plug control UJ	N283293263	1 KS	0,20 EUR / KS
78	Spring pin 4x28	N315238008	2 KS	0,12 EUR / KS
79	Nut M 12 DIN 6926	N311129526	1 KS	0,18 EUR / KS
80	Washer 22x30x1 DIN 988	N311219529	2 KS	0,14 EUR / KS
81	Plug holder	S532113402743	3 KS	1,83 EUR / KS
82	Bushing 0-9462-201	N722643022	3 KS	0,15 EUR / KS
83	Screw M 6x12 DIN 7500 BN 3326	N309578546	6 KS	0,06 EUR / KS
84	Foot, plug locking UJ	S532013322063	1 KS	1,35 EUR / KS
85	Carrier screw 0-9016-427	N309599012	1 KS	0,51 EUR / KS
86	Nut M 8	N311129501	1 KS	0,05 EUR / KS
87	Bearing 61800 2RS	N324162101	1 KS	1,59 EUR / KS
88	Washer 10x14x2 BN 739	N311219528	1 KS	0,20 EUR / KS

89	Blade 102 Left - High-Lift	S532050422473	1 KS	18,22 EUR / KS
90	Blade 102 Right - High-Lift	S532050422483	1 KS	18,22 EUR / KS
91	Rotary blade	S532050422683	1 KS	19,03 EUR / KS
92	Rotary blade	S532050422703	1 KS	19,03 EUR / KS
93	BAL. Č.843 ROTAČNÍ ŽACÍ STROJ UJ	S532986018433	1 KS	847,31 EUR / KS

Model: KUJ7E-23-0001

Group: KUJ21-23-0003

Engine hood UJ

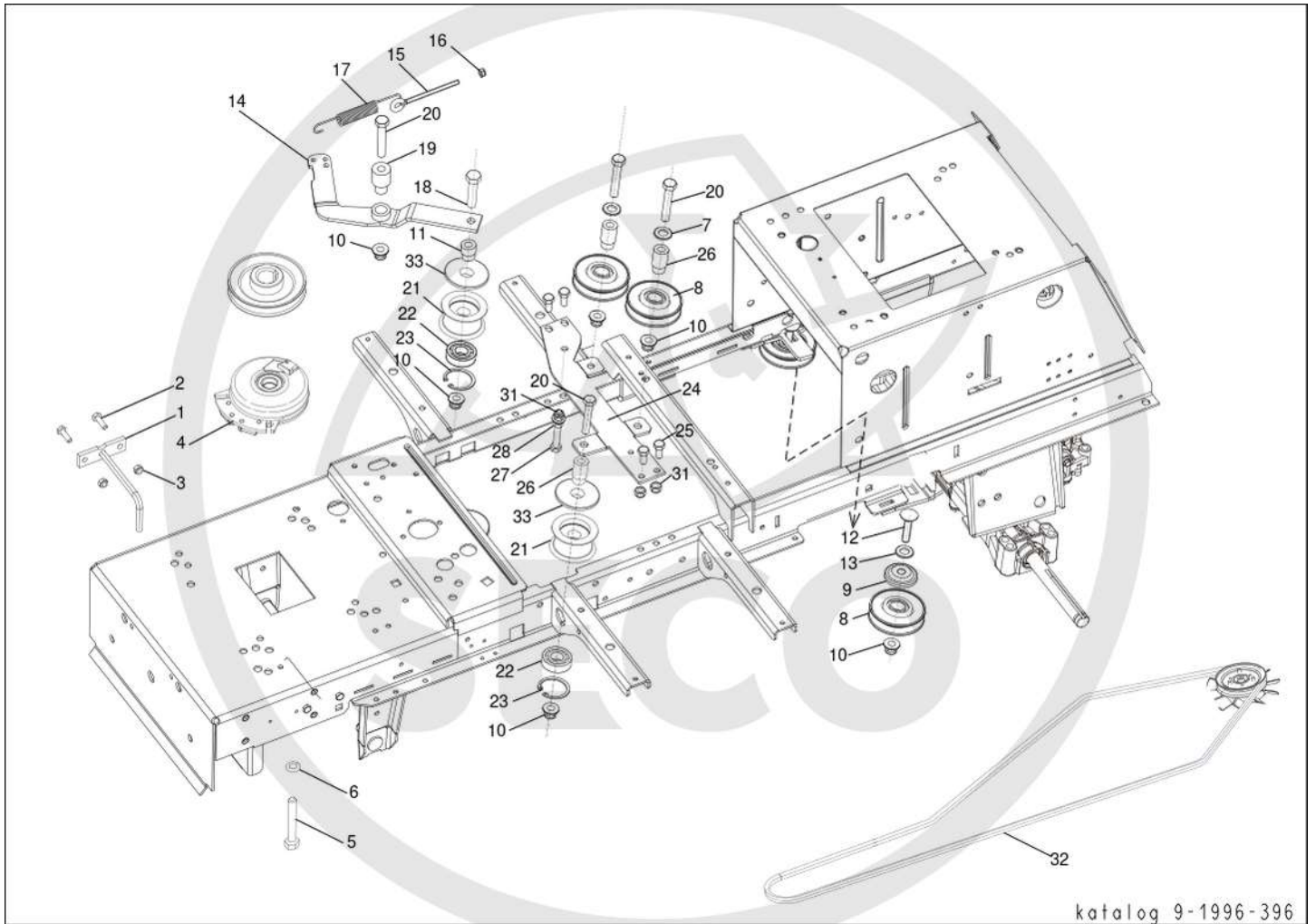




ID	Name	Item code	No.	UOM	Price
1	Hood compl. 9-1849-495 1TO1 2022	N532151871	1	KS	339,95 EUR / KS
2	Lights connection KS004137 1to1	N341271222	1	KS	4,95 EUR / KS
3	Spring 0-9746-472	N315231203	1	KS	0,27 EUR / KS
4	Screw M 10x25 DIN 6921	N309578554	4	KS	0,27 EUR / KS
5	Clip WSBH 1-0-1	N532150211	3	KS	0,20 EUR / KS
6	Safety bar	S532013102143	1	KS	2,96 EUR / KS
7	Bumper design 1TO1 2022 UJ	S532918452203	1	KS	35,98 EUR / KS
8	Light, main KS004133	N341271220	2	KS	25,27 EUR / KS
9	Arrestment ring KS004132	N341271221	2	KS	0,60 EUR / KS

Model: KIJ7E-23-0001  
Group: KIJ22-22-0010

Elmg.Clutch and pulley

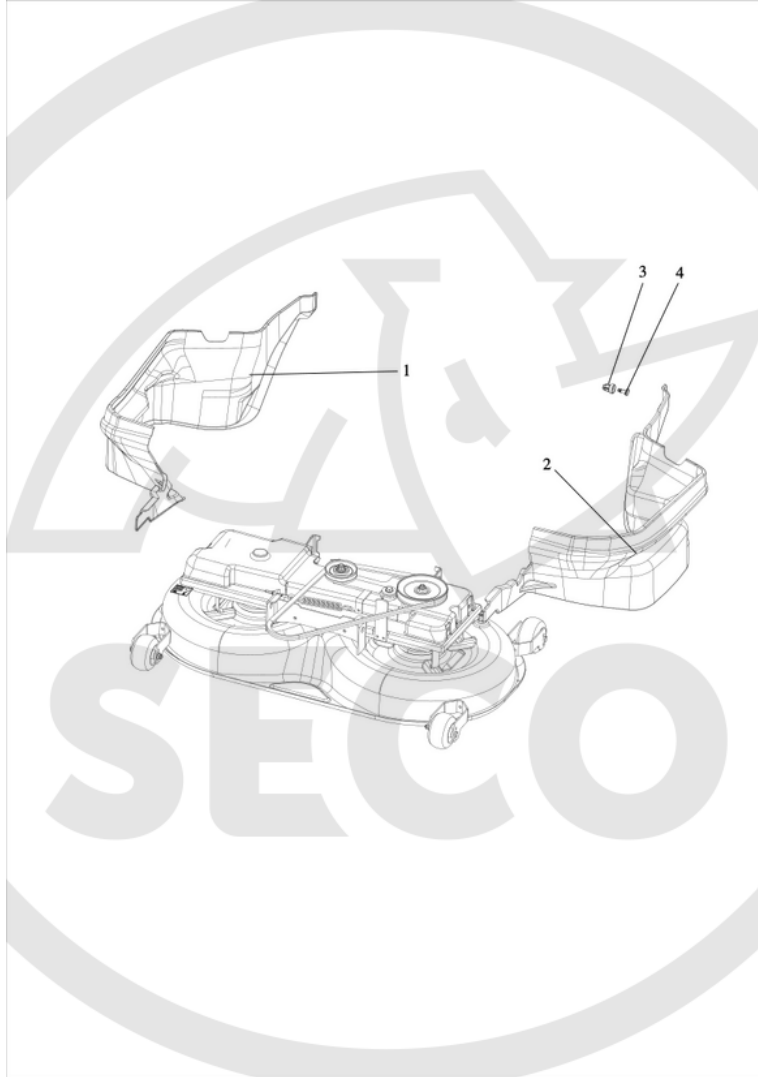


ID	Name	Item code	No.	UOM	Price
1	Clutch stopper	S532936362273	1	KS	4,07 EUR / KS
2	Screw M 6X20	N309503548	2	KS	0,05 EUR / KS
3	Nut M 6 DIN 6926	N311129525	2	KS	0,05 EUR / KS
4	Elmag. clutch I-5217-38	N532151196	1	KS	134,16 EUR / KS
5	Screw UNF 7/16"X3" 10.9 ZINK	N309579511	1	KS	3,28 EUR / KS
6	Washer NL 11 glued Dacromet	N311219516	1	KS	1,01 EUR / KS
7	Washer 10.5	N311210504	2	KS	0,05 EUR / KS
8	Pulley Compensa C-00237/1	N532150824	4	KS	4,18 EUR / KS
9	Cover C-00693 Compensa	N532151119	2	KS	0,90 EUR / KS
10	Nut M 10 DIN 6926 Zinc	N311129523	7	KS	0,12 EUR / KS
11	Tension pulley case	S532094214533	1	KS	3,18 EUR / KS
12	Screw M10X45 021319 Zinc	N309019531	2	KS	0,29 EUR / KS
13	Washer 13	N311210505	2	KS	0,05 EUR / KS
14	Travel-tension holder	S532913323073	1	KS	11,02 EUR / KS
15	Screw M 6x80 with eye BN1006 Zinc	N309578523	1	KS	0,76 EUR / KS
16	Nut M 6	N311129513	1	KS	0,05 EUR / KS
17	Spring 0-9746-497	N315231270	1	KS	1,28 EUR / KS
18	Screw M 10x45	N309203544	1	KS	0,25 EUR / KS
19	Bushing	S532094216023	1	KS	3,29 EUR / KS
20	Screw M 10X60	N309503577	4	KS	0,26 EUR / KS
21	Pulley tensioning 9-3325-296	N532151361	2	KS	8,86 EUR / KS
22	Bearing 6203 2 RS C 66 IB	N324162098	1	KS	2,46 EUR / KS
23	Lock ring 40	N311733079	1	KS	0,26 EUR / KS
24	Guide pulley holder	S532113422033	1	KS	3,57 EUR / KS
25	Screw M8X20	N309503518	4	KS	0,11 EUR / KS
26	Bushing	S532094214173	3	KS	3,57 EUR / KS
27	Screw M 8X65	N309501536	1	KS	0,17 EUR / KS
28	Nut M 8	N311150503	2	KS	0,05 EUR / KS
29	Not used in this performance	NK00000000	1	KS	EUR /
30	Not used in this performance	NK00000000	1	KS	EUR /
31	Nut M 8	N311129501	5	KS	0,05 EUR / KS
32	V-belt VB 13x2670LI Optibelt	N272731254	1	KS	19,56 EUR / KS
33	Bearing cover 0-8022-201	N532151639	2	KS	0,73 EUR / KS

Model: KUJ7E-23-0001

Group: KUJ23-21-0003

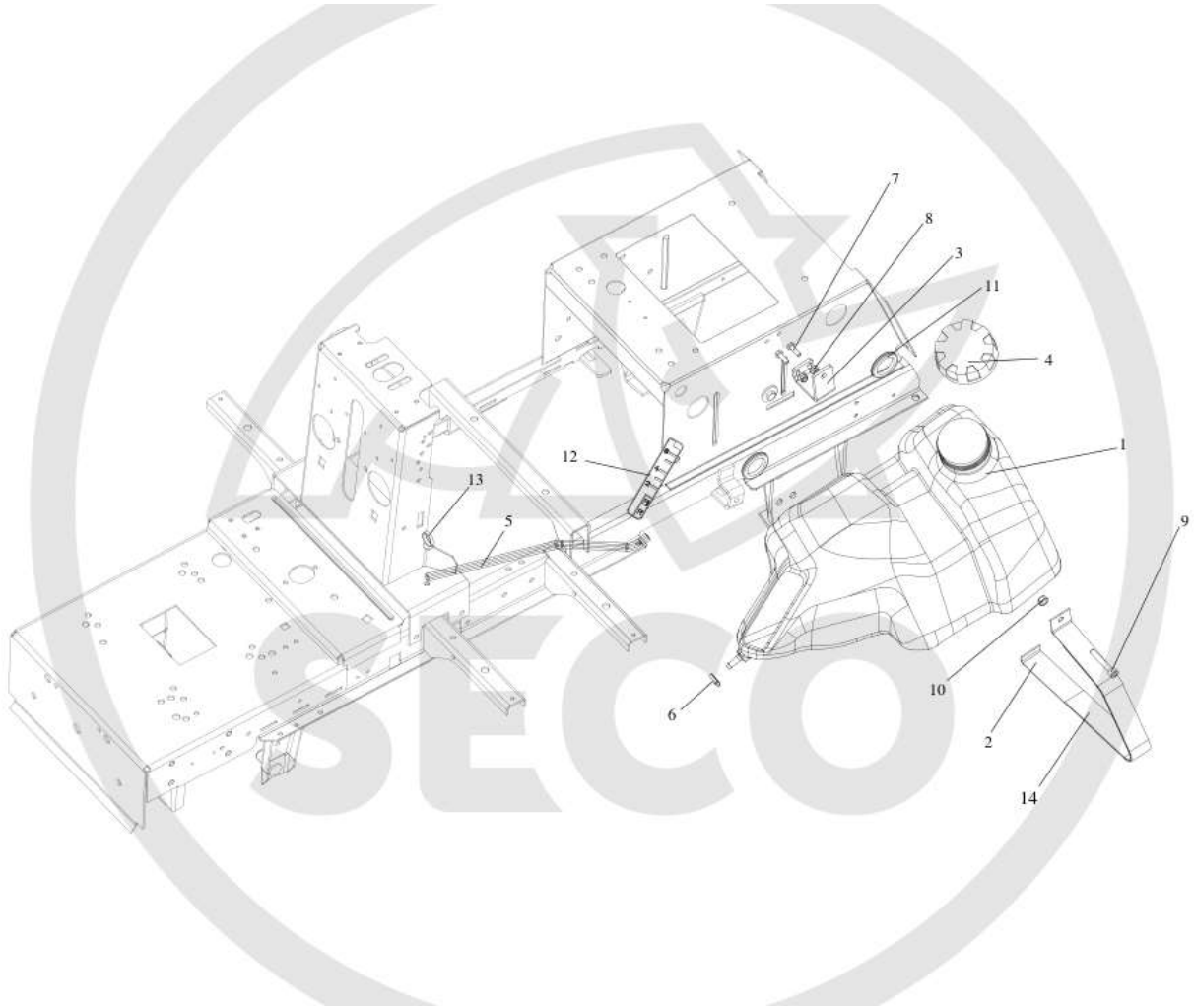
Mowing unit no.2 UJ102/122



<b>ID</b>	<b>Name</b>	<b>Item code</b>	<b>No.</b>	<b>UOM</b>	<b>Price</b>
1	Belt cover 0-8547-274R UJ102	N532151848	1	KS	16,64 EUR / KS
2	Belt cover 0-8547-273L UJ102/122	N532151847	1	KS	16,64 EUR / KS
3	Seating D7-201-802-010	N532150903	10	KS	0,38 EUR / KS
4	Pin D7-201-711-010	N532150904	10	KS	0,38 EUR / KS

Model: KIJ7E-23-0001  
Group: KIJ25-22-0001

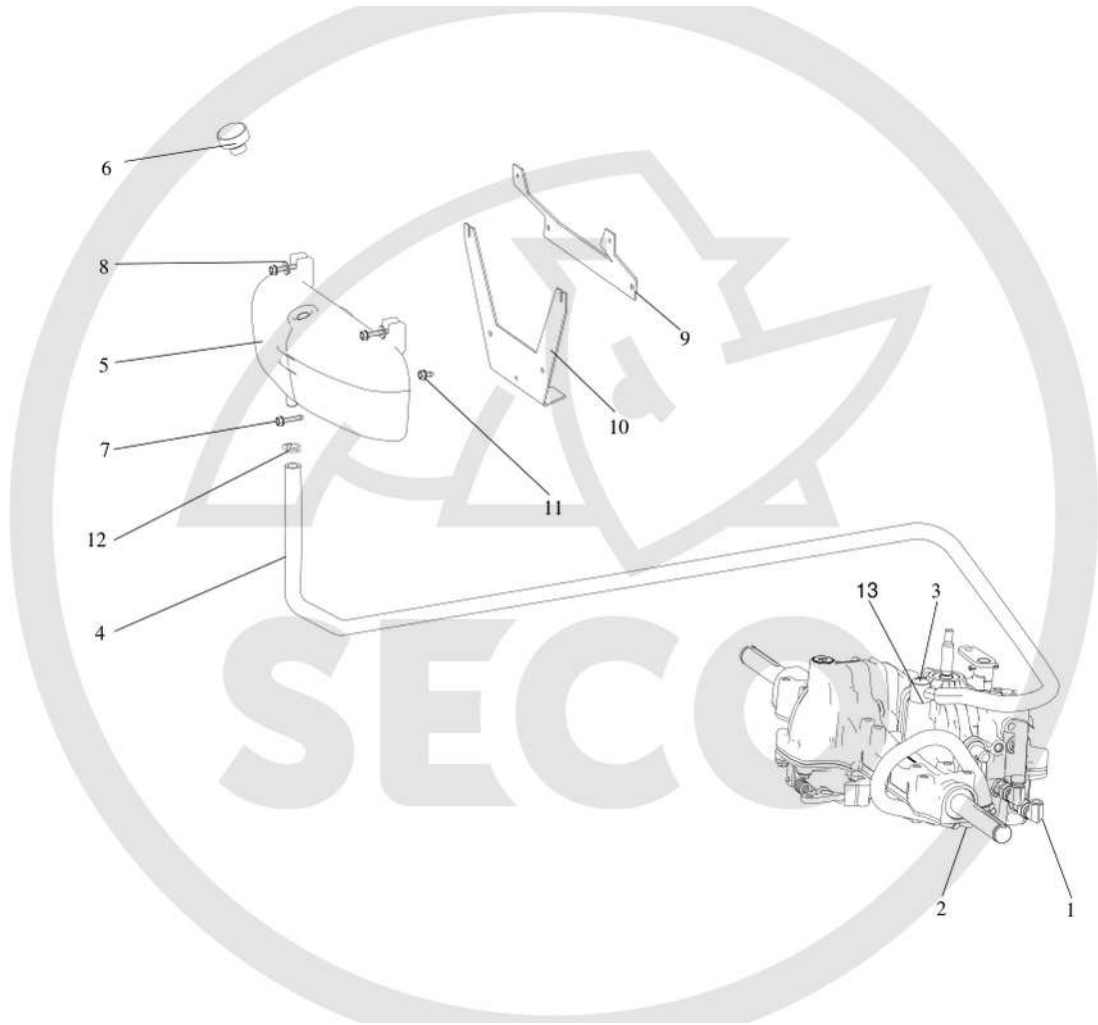
Fuel tank



ID	Name	Item code	No.	UOM	Price
1	Fuel tank 0-2766-201 white/exh.UJ	N232130026	1	KS	25,62 EUR / KS
2	Tank holder UJ	S532013422073	1	KS	8,07 EUR / KS
3	HOLDER	S532013425133	1	KS	2,17 EUR / KS
4	Fuel tank Cap 9-2725-201	N321841017	1	KS	1,71 EUR / KS
5	Fuel hose for NJ, AJ, UJ	S532986018003	1	KS	3,79 EUR / KS
6	Clip UM 5008	N000532058	2	KS	2,43 EUR / KS
7	Screw M 6X20	N309503548	2	KS	0,05 EUR / KS
8	Nut M 6 DIN 6926	N311129525	2	KS	0,05 EUR / KS
9	Screw M 8x50 DIN 912 8.8 ZN	N309503574	1	KS	0,26 EUR / KS
10	Nut M 8	N311129501	1	KS	0,05 EUR / KS
11	Rubber sleeve 28.5x2	N273121038	2	KS	0,27 EUR / KS
12	Not used in this performance	NK00000000	1	KS	EUR /
13	Clip WSBH 1-0-1	N532150211	2	KS	0,20 EUR / KS
14	Washer 0-8530-609	N273192018	1	KS	0,96 EUR / KS

Model: KUJ7E-23-0001  
Group: KUJ19-17-0001

Hydraulic distribution 4x2 VK400



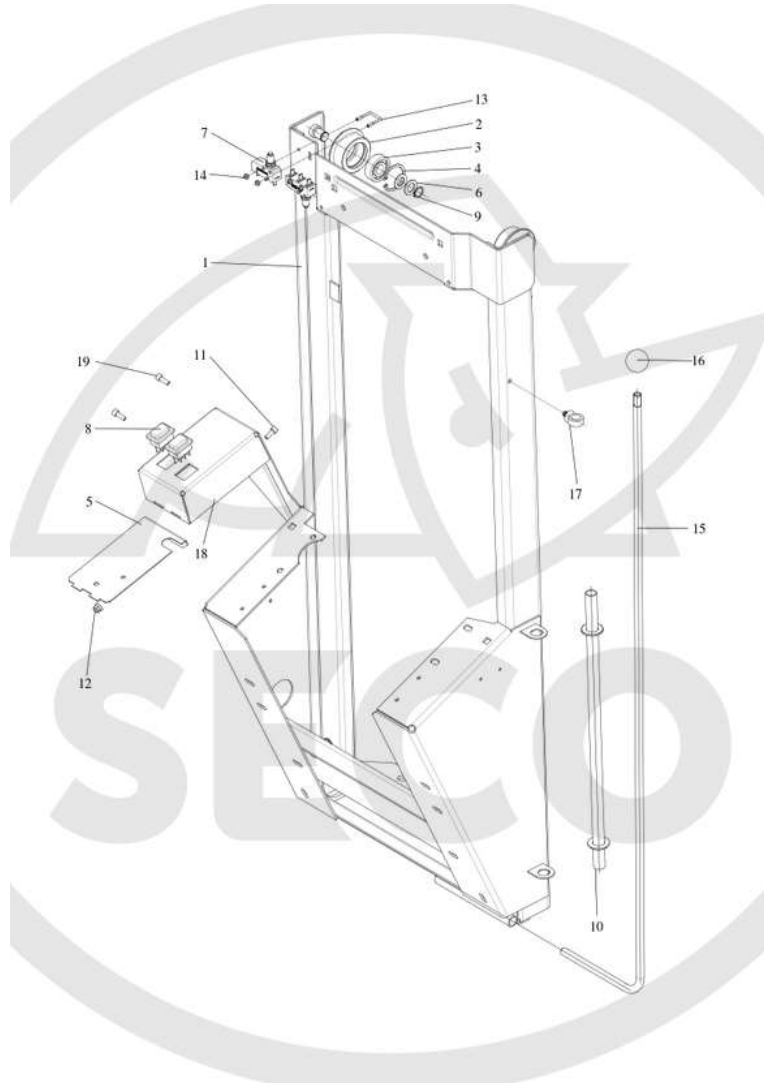


ID	Name	Item code	No.	UOM	Price
1	HYDR. HADICE 9-8236-229	N336631122	1	KS	30,68 EUR / KS
2	Throat 9/16-18 UNF/M18x1.5DIN2353	N336681015	2	KS	11,58 EUR / KS
3	Throat compl. 9-8246-204	N532991064	1	KS	29,17 EUR / KS
4	Hose exp. UJ 4x4 rear	S532082202043	1	KS	22,57 EUR / KS
5	Exp. tank 0-2766-216 2.1L UJ4x2	N532151553	1	KS	31,98 EUR / KS
6	Plug G 1/2" without gauge	N532151548	1	KS	8,82 EUR / KS
7	Screw M 6x40 DIN 7500 D	N309578553	3	KS	0,15 EUR / KS
8	Washer 6.6	N311212520	3	KS	0,05 EUR / KS
9	Tank holder UJ 4x4	S532013422133	1	KS	2,53 EUR / KS
10	Tank holder UJ 4x4	S532013402093	1	KS	3,18 EUR / KS
11	Screw M 6x12 DIN 7500 BN 3326	N309578546	2	KS	0,06 EUR / KS
12	Wire screw-in clip W19-22mm	N548241022	2	KS	0,71 EUR / KS
	Ring 17.13X2.62 NBR 70SHA	N273111103	1	KS	0,09 EUR / KS

Model: KUJ7E-23-0001

Group: KUJ26-20-0001

Frame VK400 HV/VV

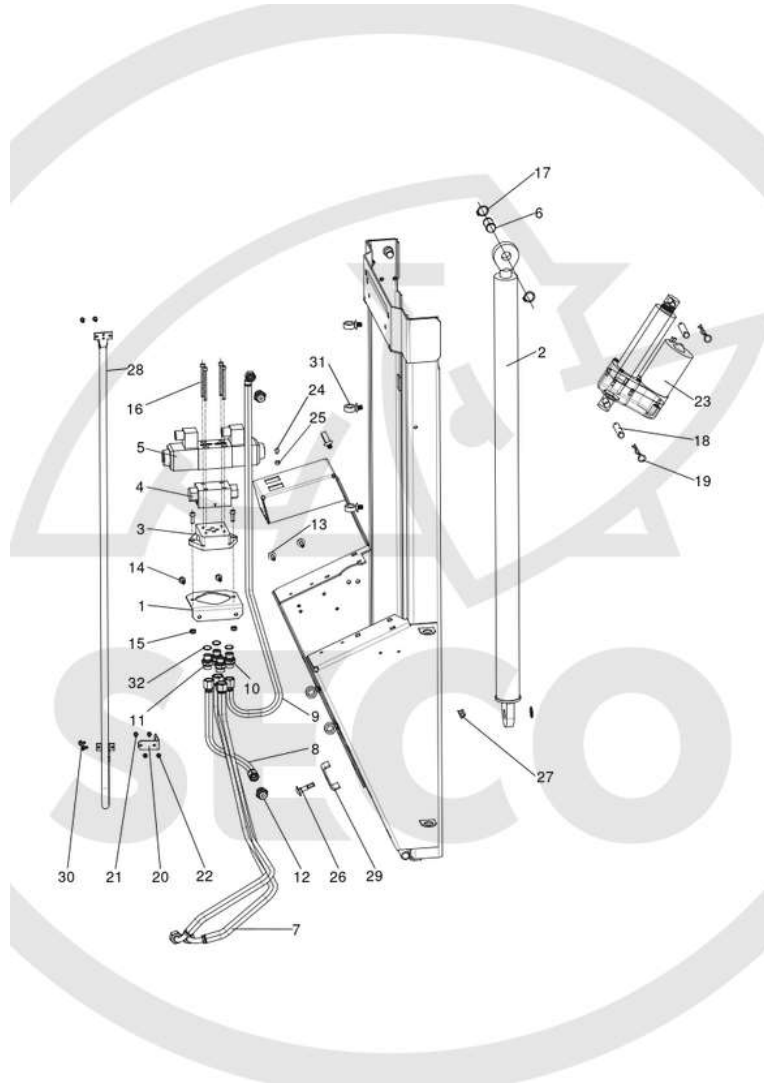


ID	Name	Item code	No.	UOM	Price
1	Frame fixed	S532912472123	1	KS	1,585.50 EUR / KS
2	Roller	S532016252013	2	KS	11,10 EUR / KS
3	Bearing 6302 2RS	N324163038	2	KS	4,59 EUR / KS
4	Safety Ring 42	N311733080	2	KS	0,12 EUR / KS
5	Cover	S532085402143	1	KS	0,56 EUR / KS
6	Distance washer	S532092202083	4	KS	0,43 EUR / KS
7	Microswitch MKH 12 D 13-S1	N345359004	2	KS	7,49 EUR / KS
8	Switch 1939.3312	N345329019	2	KS	12,82 EUR / KS
9	Lock ring I5	N311733005	2	KS	0,05 EUR / KS
10	Backstop, service	S532993232013	1	KS	5,02 EUR / KS
11	Screw M 6x14	N309543519	1	KS	0,05 EUR / KS
12	Nut M 6 DIN 6926	N311129525	1	KS	0,05 EUR / KS
13	Sleeve 0-9344-201	N532151502	2	KS	2,56 EUR / KS
14	Nut M4	N311129514	4	KS	0,05 EUR / KS
15	Discharge tunnel scaler	S532074402033	1	KS	10,70 EUR / KS
16	Ball 35 M 12 BN 14 243	N321461017	1	KS	3,13 EUR / KS
17	Clip WSBH 1-0-1	N532150211	1	KS	0,20 EUR / KS
18	Panel	S532012422053	1	KS	13,15 EUR / KS
19	Screw M 8x16 DIN 7500 D BN3326	N309578520	2	KS	0,24 EUR / KS

Model: KUJ7E-23-0001

Group: KUJ24-20-0001

Hydraulic distr. VK400 HV/VV

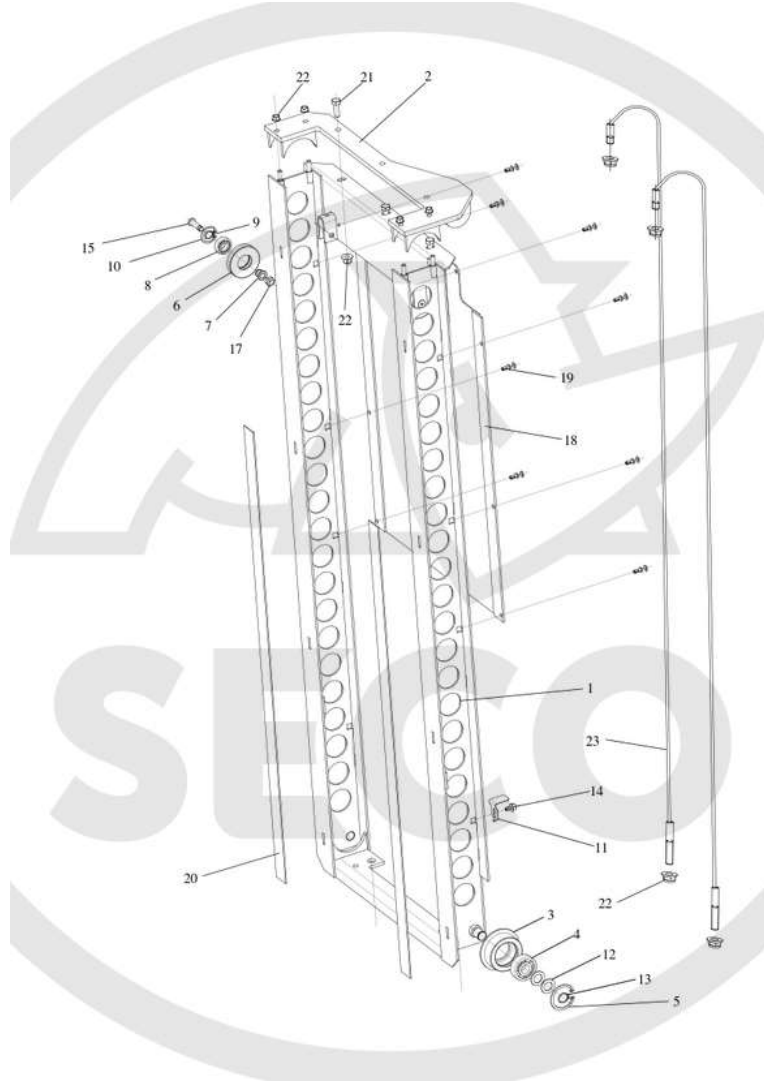


ID	Name	Item code	No.	UOM	Price
	Distributor holder	S532013402173	1	KS	1,94 EUR / KS
2	Hydraulic cylinder ZH1 40/25 885	N336315039	1	KS	319,61 EUR / KS
3	Board hydr. DP3 06 3/8"	N336451005	1	KS	59,59 EUR / KS
4	Lock hydr. MVPP 06	N336451004	1	KS	158,76 EUR / KS
5	distributor RPE3-63H16	N336451008	1	KS	162,67 EUR / KS
6	Pin	S532093102053	1	KS	3,36 EUR / KS
7	Hose hydraulic 9-8236-213 T	N336631116	2	KS	20,11 EUR / KS
8	Hose hydraulic 9-8236-217 A	N336631117	1	KS	13,53 EUR / KS
9	Hydraulic hose 9-8236-230	N336631123	1	KS	33,50 EUR / KS
10	Reduction G3/8" M 16x1,5	N336681023	2	KS	6,94 EUR / KS
11	Reduction G3/8" M 18x1,5	N336681024	2	KS	7,38 EUR / KS
12	HRDLO M16X1,5-M16X1,5	N336681027	2	KS	3,43 EUR / KS
13	SCREW M 6X16 DIN 7500D BN 3326	N309578517	2	KS	0,10 EUR / KS
14	Schrew M 6x18 DIN 912 8.8	N309543527	2	KS	0,06 EUR / KS
15	Nut M 6	N311129513	2	KS	0,05 EUR / KS
16	Screw M5x90 DIN 912 8.8	N309503584	4	KS	0,09 EUR / KS
17	Lock ring 20	N311733010	3	KS	0,11 EUR / KS
18	SHAFT	S532193103593	2	KS	3,83 EUR / KS
19	Pin 3.2X28	N311318017	4	KS	0,05 EUR / KS
20	Chain holder	S532013402043	1	KS	1,08 EUR / KS
21	Screw M 4 X 10	N309203551	2	KS	EUR /
22	Nut M4	N311129514	2	KS	0,05 EUR / KS
23	Linear actuator LA 10 04-90	N338691005	1	KS	452,80 EUR / KS
24	Screw M 5X12	N309203548	1	KS	0,05 EUR / KS
25	Nut M 5 DIN 6926 Zinc	N311129524	1	KS	0,05 EUR / KS
26	Screw M 8X35 ZINK	N309019506	1	KS	0,11 EUR / KS
27	Nut M 8 DIN 6926 8 Zinc	N532150290	1	KS	0,09 EUR / KS
28	Connecting-cable harness KS004117	N341271216	1	KS	1,15 EUR / KS
29	Hose clamp	S532012402123	1	KS	3,27 EUR / KS
30	Screw M 4X8 D 7500 D	N309578507	2	KS	0,09 EUR / KS
31	Clip WSBH 1-0-1	N532150211	9	KS	0,20 EUR / KS
32	Sealing ring 9,25x1,68 NBR 70 BK	N273111105	8	KS	0,05 EUR / KS

Model: KUJ7E-23-0001

Group: KUJ27-21-0001

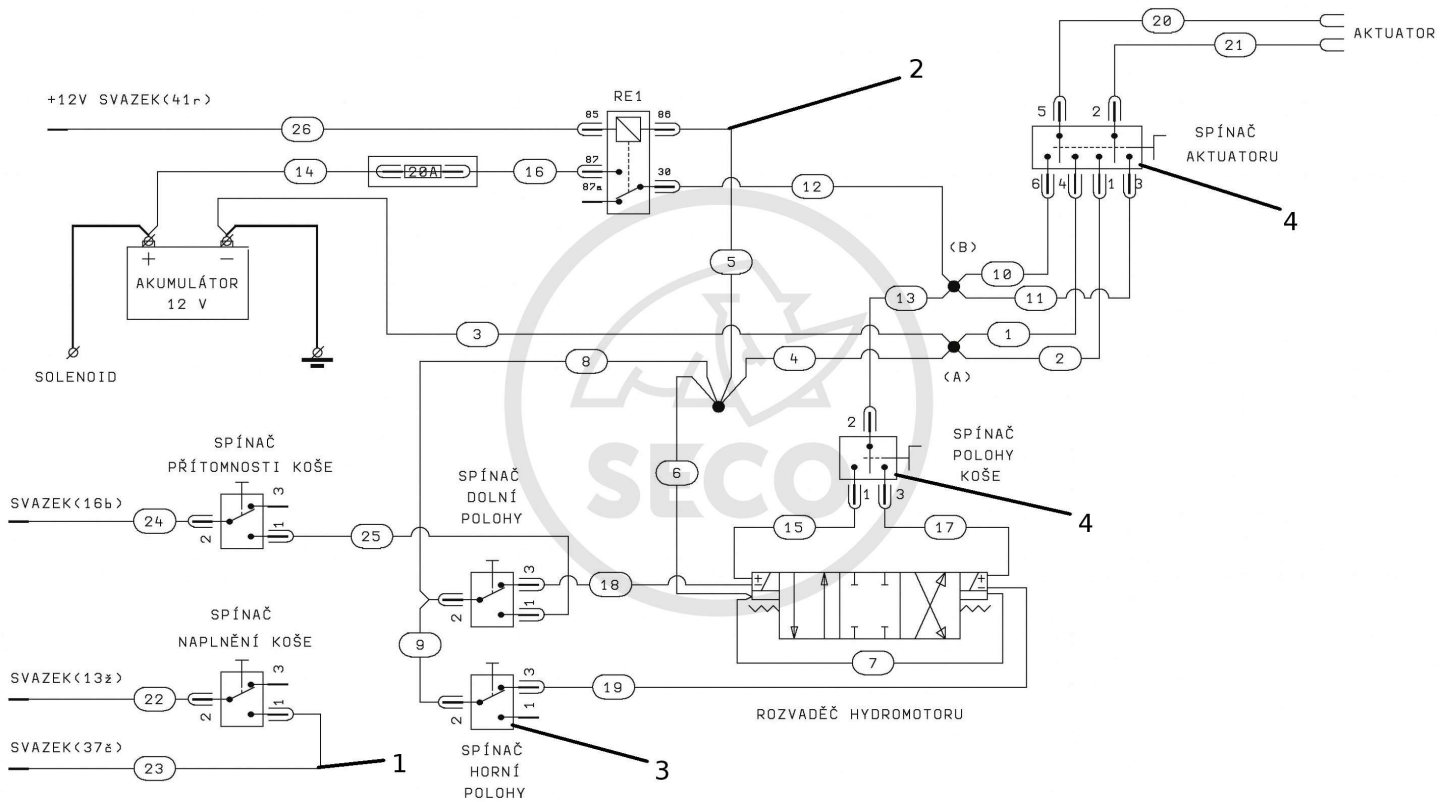
Pull-out rail VK400 HV



ID	Name	Item code	No.	UOM	Price
1	Rails movable HV	S532912472383	1	KS	157,39 EUR / KS
2	Cover HV	S532912472353	1	KS	31,15 EUR / KS
3	Roller	S532016252013	2	KS	11,10 EUR / KS
4	Bearing 6302 2RS	N324163038	2	KS	4,59 EUR / KS
5	Safety Ring 42	N311733080	2	KS	0,12 EUR / KS
6	Pulley	S532033252023	2	KS	8,50 EUR / KS
7	Spacer	S532035212013	2	KS	3,36 EUR / KS
8	Bearing 6001 2RS	N324165073	2	KS	3,13 EUR / KS
9	Safety ring 12	N311733002	2	KS	0,05 EUR / KS
10	Safety ring 28	N311733076	2	KS	0,06 EUR / KS
11	Backstop	S532013402063	1	KS	1,39 EUR / KS
12	Distance washer	S532092202083	4	KS	0,43 EUR / KS
13	Lock ring I5	N311733005	2	KS	0,05 EUR / KS
14	Screw M 6x10 DIN 7500 D	N309578545	1	KS	0,06 EUR / KS
15	Screw M 8x30 BN 1206	N309578551	2	KS	2,59 EUR / KS
16	Not used in this performance	NK000000000	1	KS	EUR /
17	Nut M 8	N311129501	2	KS	0,05 EUR / KS
18	Tunnel cover 9-8540-209A	N532151634A	1	KS	17,97 EUR / KS
19	Rivet 282702	N532151116	8	KS	0,31 EUR / KS
20	Rubber belt 0-9632-207 2x30x830	N273192064	2	KS	1,53 EUR / KS
21	Screw M8X20	N309503518	3	KS	0,11 EUR / KS
22	Nut M 8 DIN 6926 8 Zinc	N532150290	11	KS	0,09 EUR / KS
23	Steel rope 9-7110-202	N314591002	2	KS	16,10 EUR / KS

Model: KUJ7E-23-0001  
 Group: KUJ13-18-0031

Wiring diagram VK400 HV



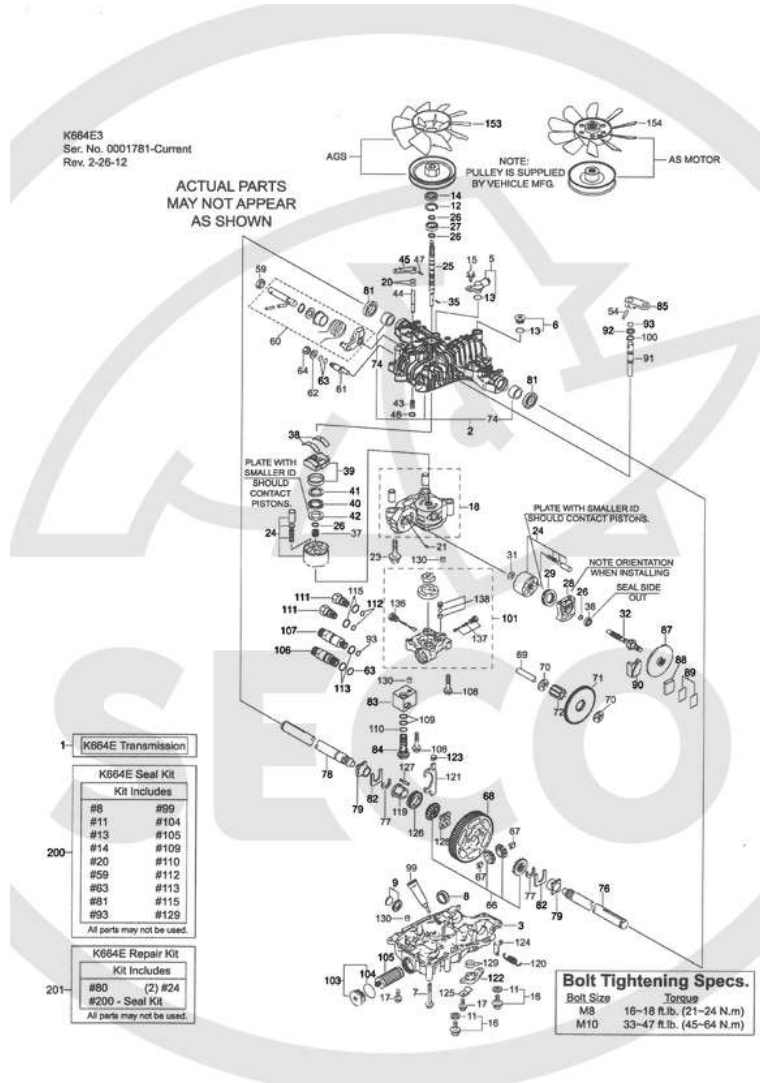


<b>ID</b>	<b>Name</b>	<b>Item code</b>	<b>No.</b>	<b>UOM</b>	<b>Price</b>
1	Wiring harness KS 004101 front	N341271210	1	KS	98,38 EUR / KS
2	Cable harness KS004118 rear	N341271215	1	KS	155,76 EUR / KS
3	Microswitch MKH 12 D 13-S1	N345359004	1	KS	7,49 EUR / KS
4	Switch 1939.3312	N345329019	2	KS	12,82 EUR / KS

Model: KUJ7E-23-0001

Group: KTT66-13-0001

Tuff Torq K664E



ID	Name	Item code	No.	UOM	Price
1	Transmission K664 E Tuff Torq	N532991058	1	KS	1,064.33 EUR / KS
2	Upper Cover TT 46 1A632024121	S000000070458	1	KS	115,77 EUR / KS
3	Lower cover TT 187Q0524180	S000000070770	1	KS	149,28 EUR / KS
5	Bearing plate 187Q0527100	S000000071286	1	KS	EUR /
6	Plug TT 66 1A632024290	S000000070459	1	KS	8,68 EUR / KS
8	Oil Filter TT 46 1A632024320	S000000070460	1	KS	11,74 EUR / KS
9	magnet TT66 19216324350	S000000070461	1	KS	4,39 EUR / KS
12	Ring 35 K 46 22252000350	S000000070142	1	KS	0,83 EUR / KS
13	O-ring KXH 24311000180	S000000070563	2	KS	0,78 EUR / KS
14	Gasket 187T0134380	S000000070786	1	KS	7,10 EUR / KS
18	Body TT 66 187Q0599150	S000000070912	1	KS	315,13 EUR / KS
19	Ring 12 22272000120 TT	S000000070601	1	KS	0,30 EUR / KS
20	O-ring TT K66/20 24311240100	S000000070569	1	KS	0,21 EUR / KS
24	Cylinder block kit 1A632025500	S000000070622	1	KS	128,28 EUR / KS
25	Input shaft 1A632025301 4x4	S000000070456	1	KS	34,54 EUR / KS
26	Lock ring S15 19215425310	S000000070619	1	KS	0,34 EUR / KS
27	Bearing	S000000070793	1	KS	5,68 EUR / KS
28	Engine housing 1A632024210	S000000070902	1	KS	26,72 EUR / KS
29	Bearing TT K664 19215424240	S000000070617	1	KS	45,40 EUR / KS
32	Shaft 1A632085280	S000000070623	1	KS	108,10 EUR / KS
35	Pin 3X13.8 19215488330	S000000070312	1	KS	5,76 EUR / KS
38	Thrust plate 19215427051TT	S000000070603	1	KS	5,67 EUR / KS
39	Bearing plate 187Q0527100	S000000070604	1	KS	20,40 EUR / KS
40	Bearing K8116 17808006100	S000000070602	1	KS	13,68 EUR / KS
41	Stop plate B 19215427201	S000000070375	1	KS	12,55 EUR / KS
42	Stop plate B 19215427210	S000000070376	1	KS	7,06 EUR / KS
45	Lever BYPASS TT46 1A632029520	S000000070253	1	KS	4,02 EUR / KS
63	O-ring TT 66 24311000140	S000000070469	1	KS	0,15 EUR / KS
68	Axle drive 1A632083540	S000000070378	1	KS	126,05 EUR / KS
74	Bearing TT66 19215434240	S000000070462	1	KS	4,12 EUR / KS
76	Half axle Left 1A632089111	S000000070379	1	KS	56,60 EUR / KS
78	Shaft 1A632089211 Right	S000000070366	1	KS	69,93 EUR / KS
79	Bushing 19216734240	S000000070367	1	KS	3,10 EUR / KS
81	Seal 1A632034380 TT	S000000070790	2	KS	EUR /
81	TĚSNĚNÍ 1A632034360	S000000071305	1	KS	10,12 EUR / KS
82	Thrust washer 1A632034290	S000000070620	1	KS	3,76 EUR / KS
83	Distribution cube 187Q0524720	S000000070476	1	KS	28,28 EUR / KS
84	Flow screw TT66 187Q0524710	S000000070477	1	KS	17,77 EUR / KS
85	Brake lever 1A632089870	S000000070774	1	KS	29,34 EUR / KS
87	Brake disc 1A632036110	S000000070891	1	KS	20,77 EUR / KS
88	Brake-shoe 1A632036120	S000000070368	1	KS	2,27 EUR / KS
89	Plates 1A632036170	S000000070369	1	KS	0,95 EUR / KS
90	Brake 1A632036201	S000000070370	1	KS	3,34 EUR / KS

92	Washer 16X23X1.6 1A632036190	S000000070754	1	KS	4,07	EUR / KS
93	O-ring TT 66 24311000120	S000000070473	1	KS	1,01	EUR / KS
101	Pump small TT66 1A632096150	S000000070475	1	KS	209,73	EUR / KS
103	Filter cap 1A637024380	S000000070624	1	KS	3,63	EUR / KS
104	O-ring 243512404001A 2040	S000000070625	1	KS	0,34	EUR / KS
105	Oil Filter 1A632026450 TT 66	S000000070470	1	KS	40,75	EUR / KS
106	Connector 3/8" TT 66 187Q0524740	S000000070466	1	KS	20,81	EUR / KS
107	Connector 3/8" TT 66 187Q0524750	S000000070465	1	KS	23,52	EUR / KS
111	Connector TT 66 1A637026420	S000000070464	1	KS	6,04	EUR / KS
112	O-ring TT 66 19485049290	S000000070468	1	KS	1,31	EUR / KS
113	O-ring TT 66 24311000160	S000000070467	1	KS	1,01	EUR / KS
122	Diff-lock lever 1A632087151	S000000070691	1	KS	25,49	EUR / KS
123	Lever pin 1A632087160 TT	S000000070696	1	KS	2,82	EUR / KS
153	Cooling fan 4X4	S532075412033	1	KS	14,18	EUR / KS
200	Seal kit 187Q0599010	S000000070769	1	SD	76,08	EUR / SD