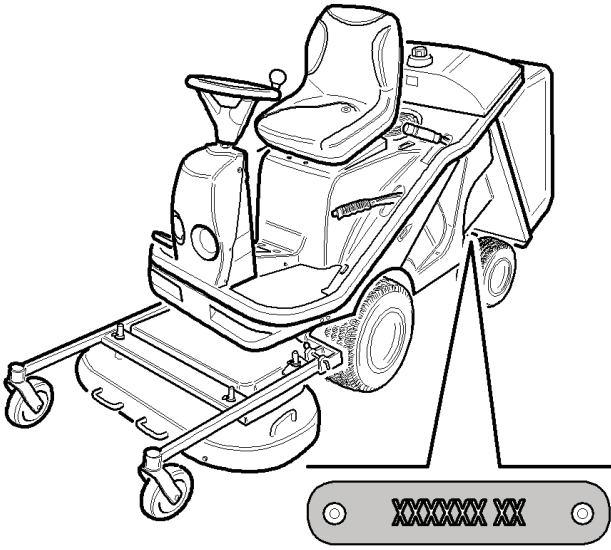


CAIMAN

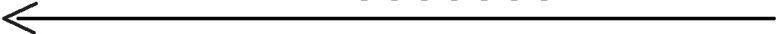
GITO

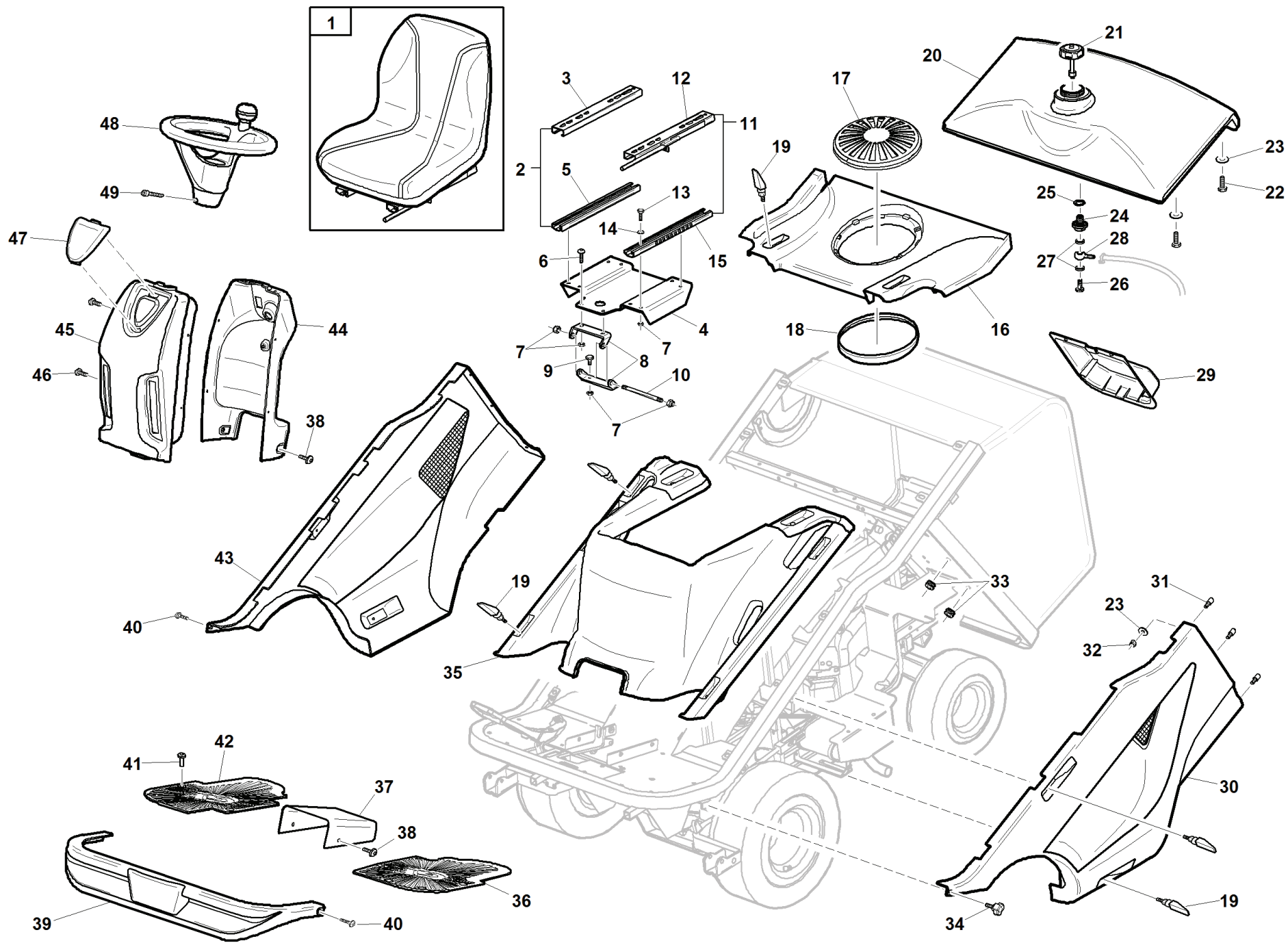
S/N > 1201001E



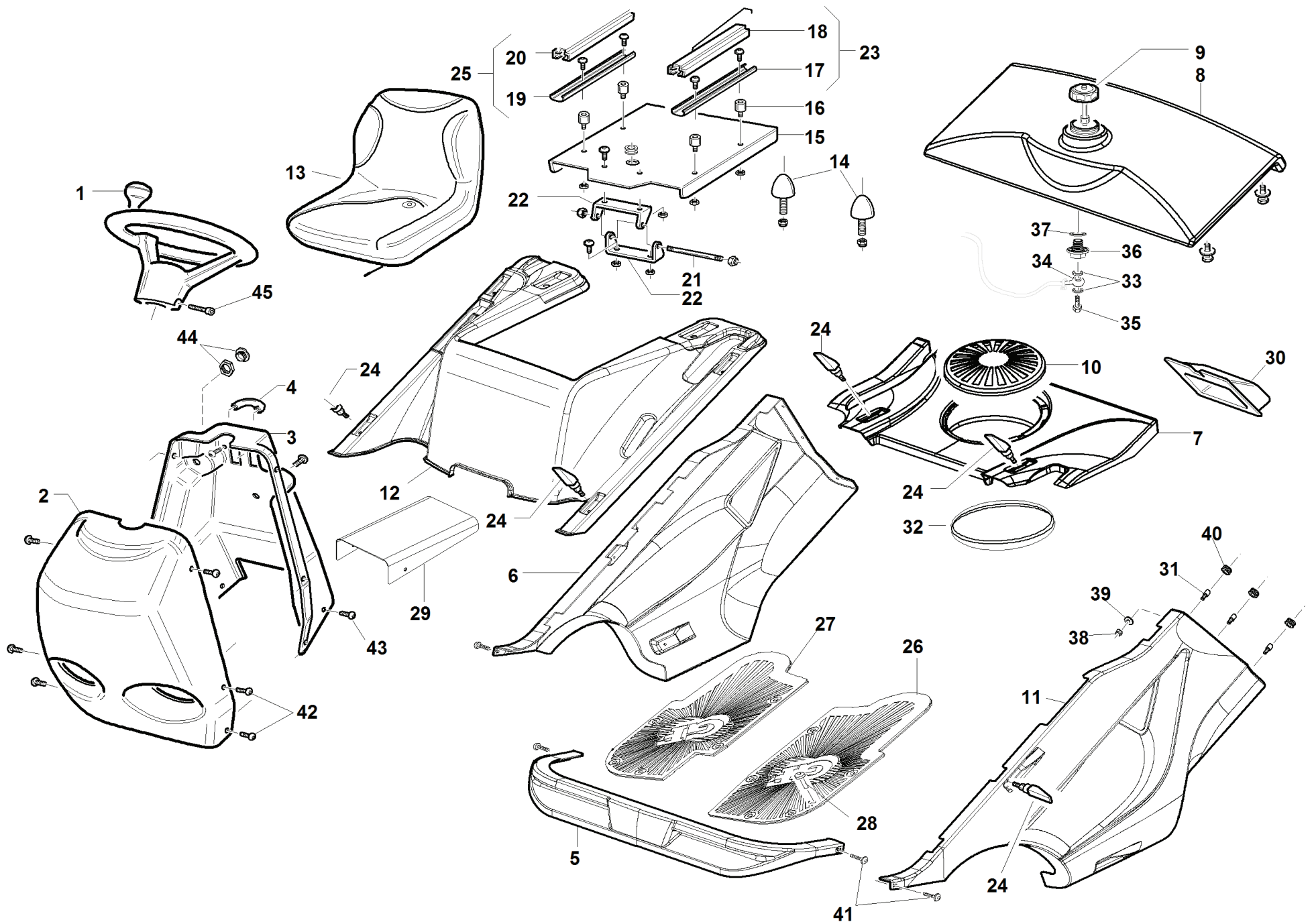


9999999RXX

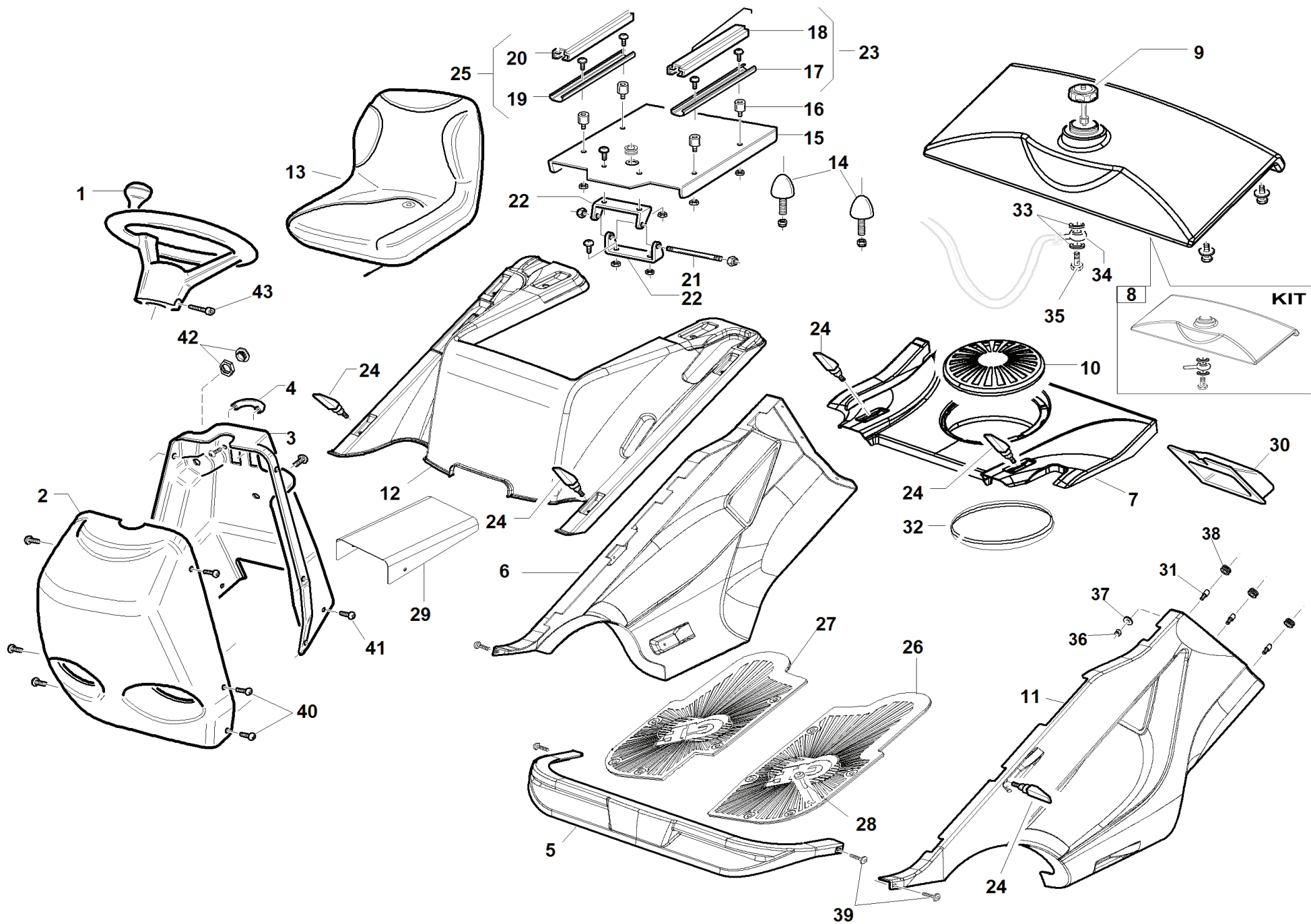




#	P/N	DESCR.
1	00777850035	GTM SEAT
2	00777850039	SEAT LEFT GUIDE PAIR
3	00777850037	UPPER LEFT SEAT GUIDE
4	87001000076	SEAT SUPPORT
5	00777850026	LH SEAT LOWER GUIDE
6	00111450024	SCREW M8 X 20
7	00111000071	SELF LOCKING NUT M8 UNI 7473
8	95500000003	SEAT SUPPORT HINGE
9	00111450003	SCREW WASHER M8X20
10	94500000066	HOOD HINGE PIN
11	00777850038	SEAT RIGHT GUIDE PAIR
12	00777850036	UPPER RIGHT SEAT GUIDE
13	00111000093	HEXAGON SCREW M8x20 UNI 5739
14	00111000087	WASHER P.8,4X15.6X1,5
15	00777850025	RH SEAT LOWER GUIDE
16	87001291000	ASSEMBLY ENGINE HOOD
17	00111970153	ENGINE-EXHAUST GRID
18	95599000087	GTM ENGINE HOOD GASKET
19	00111970196	FASTENING DEVICE
20	89001110001	FUEL TANK
21	00111970199	TANK PLUG WITH LEVEL
22	00111000045	HEXAGON SCREW M6x16 UNI 5739
23	00111000037	WASHER 6.6X18X2
24	87001000068	ADAPTER M3/8
25	00777230025	GASKET
26	00777600040	SIMPLE CABLE BOLT
27	00777600001	WASHER COPPER 1/4
28	00777600183	METAL EYELET 1/4
29	89001000056	REAR COVER
30	87001271000	LH ASSEMBLY SIDE HOOD
31	94500000085	VALANCE PANEL PIN
32	00111000035	SELF BLOC. NUT M6
33	00111970066	CABLE HOLDER D.I.9
34	00111970133	KNOB M6X20
35	89001101000	ASSY CENTRAL HOOD
36	87001290002	LH FOOTSTEP MAT
37	87001000039	FOOTSTEP TUNNEL
38	00111450004	SCREW WASHER M8X12
39	89001100005	GTM FRONT DASHBOARD
40	00111450014	SCREW FR M6X12
41	00111970169	CLOSER PLUG D. 10.5
42	87001290001	RH FOOTSTEP MAT
43	87001271100	RH ASSEMBLY SIDE HOOD
44	87001270003	STEERING COLUMN REAR COVER
45	87001271200	STEERING COLUMN FRONT COVER
46	00111450011	SCREW FR M 4 X12
47	87001270004	PLASTIC SHIELD
48	00111970209	STEERING WHEEL W/BUSHING Ø 18
49	00111400015	ALLEN SCREW M6X40



#	P/N	DESCR.
1	00111970209	STEERING WHEEL W/BUSHING Ø 18
2	94500000084	FRONT DASHBOARD RAL 3002
3	94500000107	REAR DASHBOARD
4	00111990088	WHITE HANDLE
5	89001100005	GTM FRONT DASHBOARD
6	87001271100	RH ASSEMBLY SIDE HOOD
7	87001291000	ASSEMBLY ENGINE HOOD
8	89001110001	FUEL TANK
9	00111970199	TANK PLUG WITH LEVEL
10	00111970153	ENGINE-EXHAUST GRID
11	87001271000	LH ASSEMBLY SIDE HOOD
12	89001101000	ASSY CENTRAL HOOD
13	00777850035	GTM SEAT
14	00111970224	Ø50 RUBBER BUFFER
15	89001000033	SEAT SUPPORT
16	92002100006	SPACER Ø12X20 H=18.3 ZNT
17	00777850026	LH SEAT LOWER GUIDE
18	00777850036	UPPER RIGHT SEAT GUIDE
19	00777850025	RH SEAT LOWER GUIDE
20	00777850037	UPPER LEFT SEAT GUIDE
21	94500000066	HOOD HINGE PIN
22	95500000003	SEAT SUPPORT HINGE
23	00777850038	SEAT RIGHT GUIDE PAIR
24	00111970196	FASTENING DEVICE
25	00777850039	SEAT LEFT GUIDE PAIR
26	87001290001	RH FOOTSTEP MAT
27	87001290002	LH FOOTSTEP MAT
28	00111970169	CLOSER PLUG D. 10.5
29	87001000039	FOOTSTEP TUNNEL
30	89001000056	REAR COVER
31	94500000085	VALANCE PANEL PIN
32	95599000087	GTM ENGINE HOOD GASKET
33	00777600001	WASHER COPPER 1/4
34	00777600183	METAL EYELET 1/4
35	00777600040	SIMPLE CABLE BOLT
36	87001000068	ADAPTER M3/8
37	00777230025	GASKET
38	00111000035	SELF BLOC. NUT M6
39	00111000037	WASHER 6.6X18X2
40	00111970066	CABLE HOLDER D.I.9
41	00111450014	SCREW FR M6X12
42	00111350009	SCREW AUTOFORF.4.2X13
43	00111450020	SCREW M8 X 16
44	00111970244	CAP WITH RING NUT
45	00111400015	ALLEN SCREW M6X40



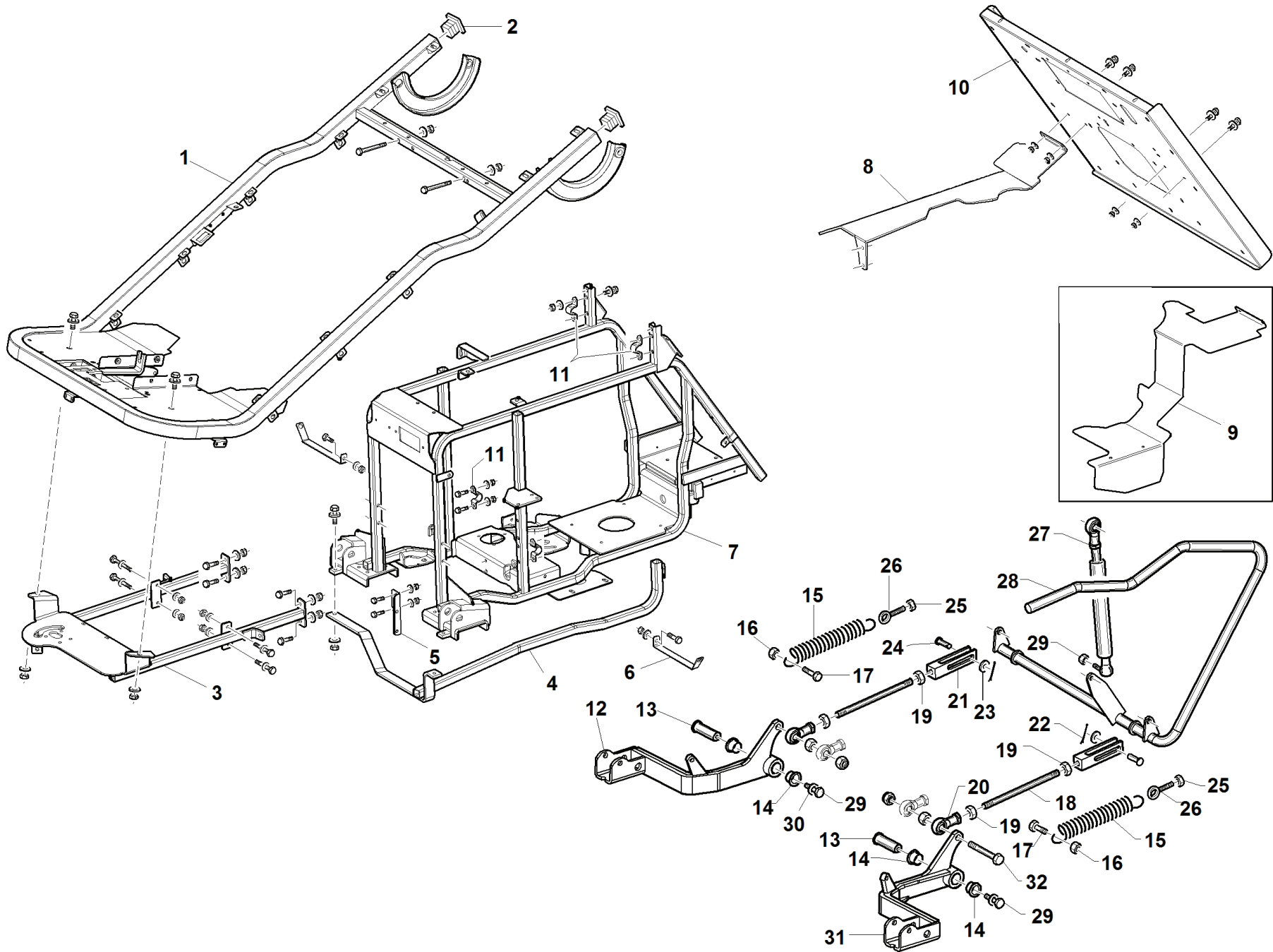
#

P/N

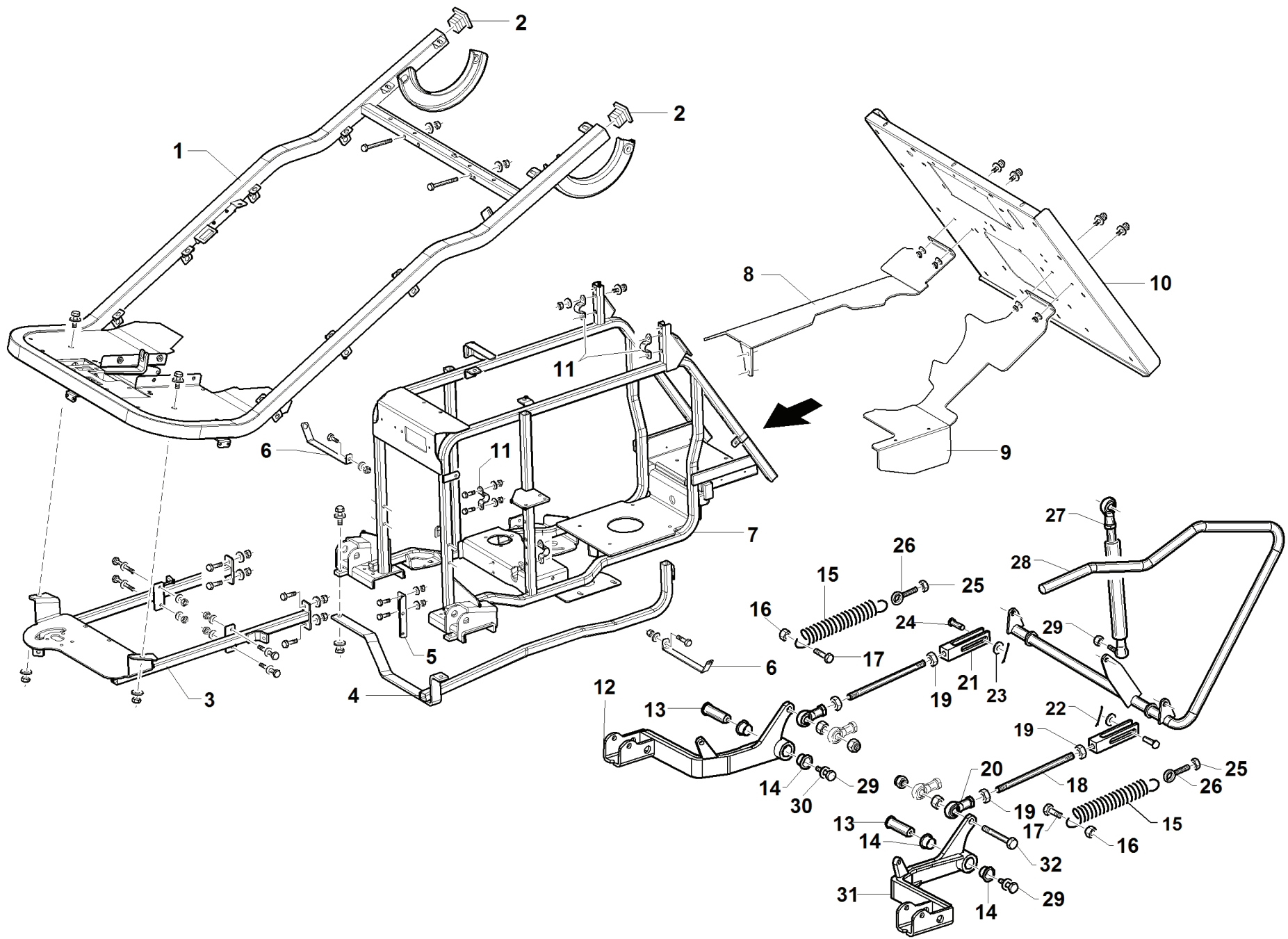
DESCR.

GITO

1	00111970209	STEERING WHEEL W/BUSHING Ø 18
2	94500000084	FRONT DASHBOARD RAL 3002
3	94500000107	REAR DASHBOARD
4	00111990088	WHITE HANDLE
5	89001100005	GTM FRONT DASHBOARD
6	87001271100	RH ASSEMBLY SIDE HOOD
7	87001291000	ASSEMBLY ENGINE HOOD
8	95598520000	GTM TANK SPARE PARTS KIT
9	00111970199	TANK PLUG WITH LEVEL
10	00111970153	ENGINE-EXHAUST GRID
11	87001271000	LH ASSEMBLY SIDE HOOD
12	89001101000	ASSY CENTRAL HOOD
13	00777850035	GTM SEAT
14	00111970224	Ø50 RUBBER BUFFER
15	89001000033	SEAT SUPPORT
16	92002100006	SPACER Ø12X20 H=18.3 ZNT
17	00777850026	LH SEAT LOWER GUIDE
18	00777850036	UPPER RIGHT SEAT GUIDE
19	00777850025	RH SEAT LOWER GUIDE
20	00777850037	UPPER LEFT SEAT GUIDE
21	94500000066	HOOD HINGE PIN
22	95500000003	SEAT SUPPORT HINGE
23	00777850038	SEAT RIGHT GUIDE PAIR
24	00111970196	FASTENING DEVICE
25	00777850039	SEAT LEFT GUIDE PAIR
26	87001290001	RH FOOTSTEP MAT
27	87001290002	LH FOOTSTEP MAT
28	00111970169	CLOSER PLUG D. 10.5
29	87001000039	FOOTSTEP TUNNEL
30	89001000056	REAR COVER
31	94500000085	VALANCE PANEL PIN
32	95599000087	GTM ENGINE HOOD GASKET
33	00777600003	WASHER COPPER 3/8
34	00777600142	METAL EYELET 3/8-1/4
35	00777600041	EMPTY SCREW 3/8
36	00111000035	SELF BLOC. NUT M6
37	00111000037	WASHER 6.6X18X2
38	00111970066	CABLE HOLDER D.I.9
39	00111450014	SCREW FR M6X12
40	00111350009	SCREW AUTOFORF.4.2X13
41	00111450020	SCREW M8 X 16
42	00111970244	CAP WITH RING NUT
43	00111400015	ALLEN SCREW M6X40



#	P/N	DESCR.
1	89001280000	EXTERNAL FRAME
2	00111970206	SQUARE PLUG 40x40
3	87001340000	TUBULAR EXTERNAL FRAME SUPPORT
4	87001380000	LOWER PROTECTION CROSSBAR
5	87001000047	TRANSAXLE REAR SUPPORT
6	87001000046	SIDE HOOD LOWER FIXING BRACKET
7	87001330000	GTR CHASSIS
8	87001000060	RH THERMIC GUARD
9	87001000061	LH THERMIC GUARD
10	87001000038	REAR CLOSING PLATE
11	89001000003	BRACKET
12	87001360000	RH FRONT LINKAGE ARM
13	87001000044	PIN Ø20
14	00111990017	BUSHING WITH EDGE TFF 20/16,5
15	95001000051	COMPENSATION SPRING
16	00111000071	SELF LOCKING NUT M8 UNI 7473
17	00111000033	SCREW TE M8X30
18	87001000054	MOWER DECK LIFTING TIE-ROD
19	00111150010	NUT 5589
20	00777200019	SPHEROX TF12 RIGHT
21	87001000036	FORK FOR DECK LIFTING
22	00111750007	SPLIT PIN
23	00111500013	WASHER 10,5x18x2 UNI 6592
24	87001000037	PIN Ø10
25	00111000082	NUT M8
26	00111990024	METAL EYELET M8 RIGHT
27	00111990141	"STABILUS 094463 F=800 N GAS SPRING
28	87001280000	DECK LIFTING CONTROL LEVER
29	00111000081	HEXAGON SCREW M8x16 UNI 5739
30	00111000061	WASHER 8.4X24X2
31	87001370000	LH FRONT LINKAGE ARM
32	00111000024	SCREW TE UNI 5739



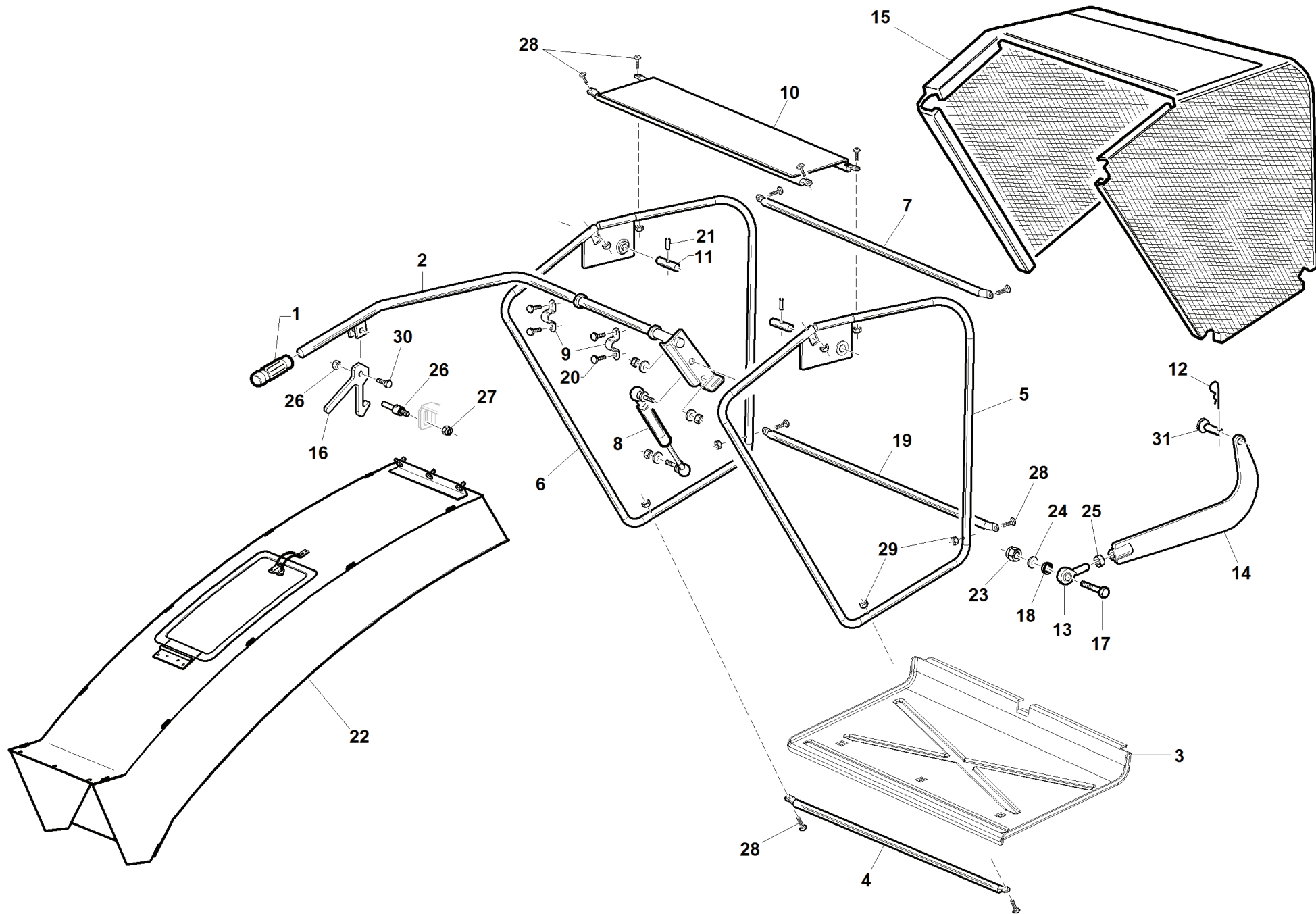
#

P/N

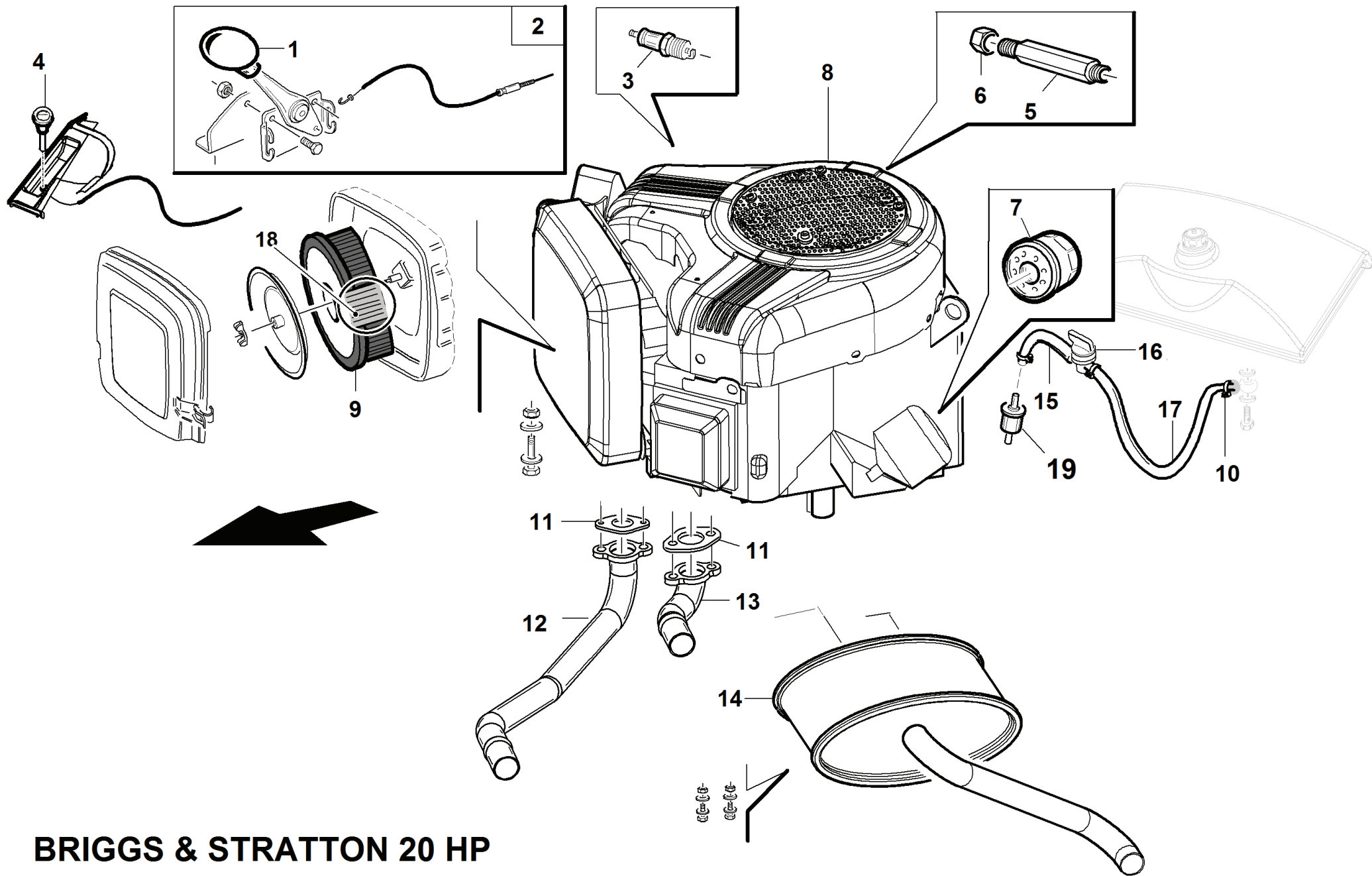
DESCR.

GITO

1	89001280000	EXTERNAL FRAME
2	00111970206	SQUARE PLUG 40x40
3	87001340000	TUBULAR EXTERNAL FRAME SUPPORT
4	87001380000	LOWER PROTECTION CROSSBAR
5	87001000047	TRANSAXLE REAR SUPPORT
6	87001000046	SIDE HOOD LOWER FIXING BRACKET
7	87001330000	GTR CHASSIS
8	87001000060	RH THERMIC GUARD
9	87001000061	LH THERMIC GUARD
10	87001000038	REAR CLOSING PLATE
11	89001000003	BRACKET
12	87001360000	RH FRONT LINKAGE ARM
13	87001000044	PIN Ø20
14	00111990017	BUSHING WITH EDGE TFF 20/16,5
15	95001000051	COMPENSATION SPRING
16	00111000071	SELF LOCKING NUT M8 UNI 7473
17	00111000033	SCREW TE M8X30
18	87001000054	MOWER DECK LIFTING TIE-ROD
19	00111150010	NUT 5589
20	00777200019	SPHEROX TF12 RIGHT
21	87001000036	FORK FOR DECK LIFTING
22	00111750007	SPLIT PIN
23	00111500013	WASHER 10,5x18x2 UNI 6592
24	87001000037	PIN Ø10
25	00111000082	NUT M8
26	00111990024	METAL EYELET M8 RIGHT
27	00111990141	"STABILUS 094463 F=800 N GAS SPRING
28	87001280000	DECK LIFTING CONTROL LEVER
29	00111000081	HEXAGON SCREW M8x16 UNI 5739
30	00111000061	WASHER 8.4X24X2
31	87001370000	LH FRONT LINKAGE ARM
32	00111000024	SCREW TE UNI 5739



#	P/N	DESCR.
1	00111970205	HANDGRIP
2	89001130000	COLLECTOR LEVER
3	89001000032	HOPPER COVER
4	89001150001	COLLECTOR CROSS TUBE
5	89001460000	LEFT SIDE COLLECOTR FRAME
6	89001470000	RIGHT SIDE COLLECOTR FRAME
7	89001000009	REAR CROSS ARM
8	00111990141	"STABILUS 094463 F=800 N GAS SPRING
9	89001000003	BRACKET
10	89001150000	CROSS ARM
11	89001000020	COLLECTOR ROTATION PIN
12	00111000175	""R"" SPLIT PIN D.4 UNI 8833"
13	00777200016	BIG END OF THE CONNECTING ROD TM14
14	89001520000	HOPPER DISCHARGE ROD
15	89005000001	GTM BLACK MESH BAG
16	87001420001	OPENING COLLECTOR SYSTEM LOCK LEVER
17	00111300073	HEXAGON SCREW M14x50 UNI 5739
18	89001000046	SPACER Ø14XØ20X5
19	89001000007	LOWER CROSS ARM
20	00111800003	RIVET D. 4,8 X 9
21	00111700006	PIN EL D.6X28
22	87001260000	ASSEMBY TUNNEL
23	00111000077	SELF BLO. SCREW M14
24	00111500004	WASHER 15,2X28X2.5 UNI 6592TE
25	00111150004	NUT M14
26	87001000053	COLLECTOR CLOSING HOOK PIN
27	00111000095	SELF BLO. NUT M8
28	00111450025	
29	00111000035	SELF BLOC. NUT M6
30	00111000045	HEXAGON SCREW M6x16 UNI 5739
31	89001000035	TIE ROD PIN



BRIGGS & STRATTON 20 HP

#

P/N

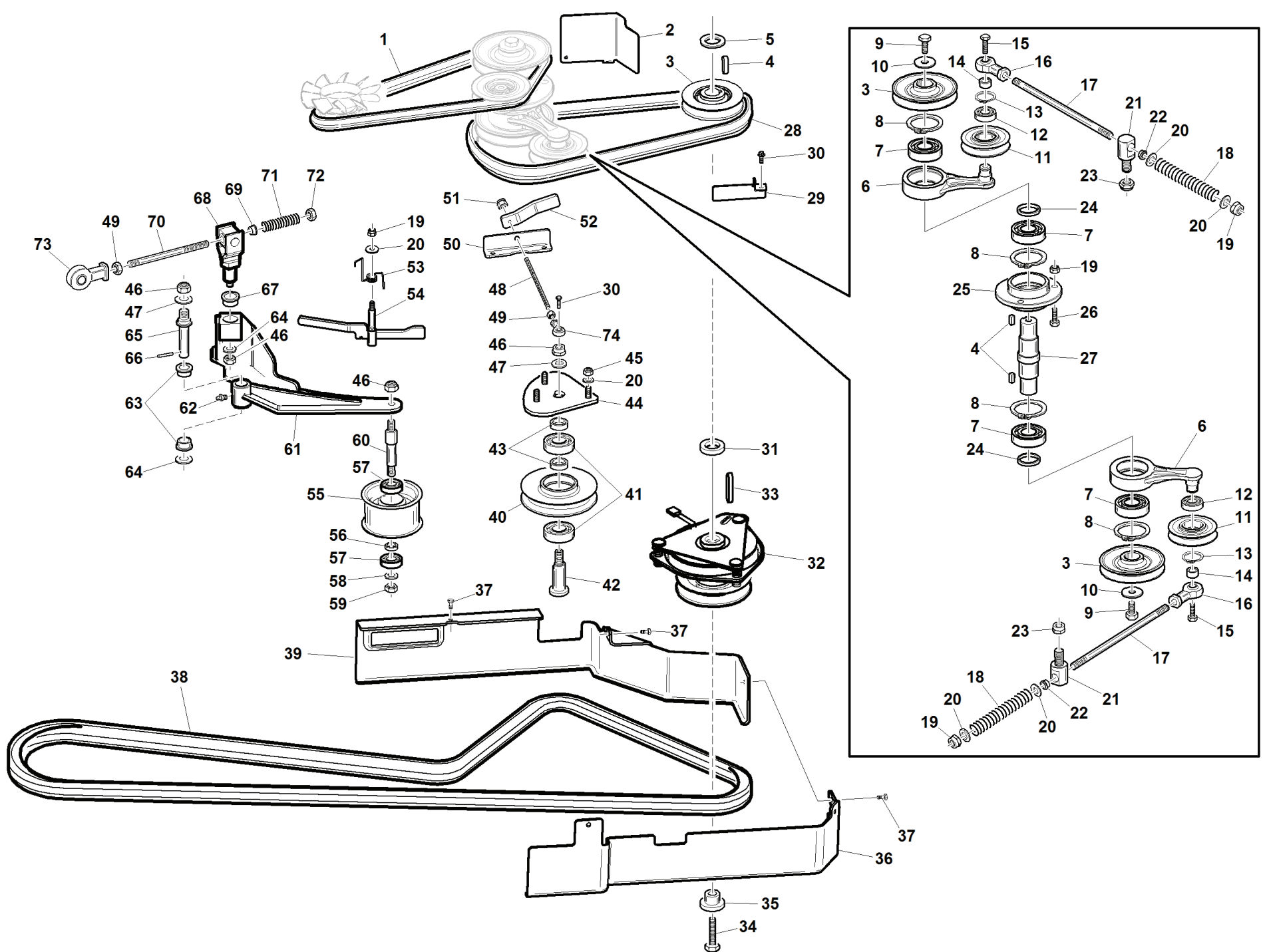
DESCR.

CAIMAN

ref. 05 - 00555501805

GITO

1	00111610004	BLACK ACCELERATOR LEVER
2	94500860000	THROTTLE LEVER WITH CABLE
3	00777750001	SPARK PLUG 491055
4	92001000029	STARTER CABLE
5	92001000056	OIL RELIEFG EXTENSION
6	00777600170	ROTATING CAP 3/8
7	00777650001	OIL FILTER 9/18 HP
8	95597230000	GTR 21 HP ENGINE KIT
9	00777650071	B&S 20HP PRE-FILTER
10	00111810010	CLAMP 10-16 TYPE NORMA
11	00111990009	EXHAUST GASKET
12	87001390003	
13	87001390002	
14	87001390001	
15	87001000070	
16	00111970203	FUEL TAP
17	87001000069	
18	00777650070	B&S 20HP FILTER CARTRIDGE
19	00777650013	PETROL FILTER 16-18 HP



#	P/N	DESCR.	CAIMAN	ref. 06 - 00555501817 GITO
1	00111980048	QUAD POWER III XPA 690 BELT		
2	84001000009	RH INNER PROTECTION FOR BELT		
3	87001000019	ENGINE DRIVE PULLEY		
4	00111900022	TONGUE 1/4 X 1/4 X 14,5		
5	87001000057	SPACER Ø40xØ25.4x3		
6	87001000020	BELT-TIGHTENER BRACKET		
7	00777100061	6006 2RS1 BEARING		
8	00111650003	SNAP RING D.55 I		
9	00111000046	SCREW TE M10X20 8.8 ZNT		
10	00111550010	ELASTIC CONIC WASHER M10X3		
11	95500320000	TIGHTENER PULLEY		
12	00777100032	KOYO BEARING 6003 2RS 17X35X10		
13	00111650005	SNAP RING D.35 I		
14	95001000027	BORE WASHER Ø8.25X14 L=8		
15	00111000033	SCREW TE M8X30		
16	00777200007	ARTICULATION HEAD CF8 M8		
17	92001000021	LEVER STAFF BELT TIGHTENER		
18	94500000088	PTO TIGHTENER SPRING		
19	00111000071	SELF LOCKING NUT M8 UNI 7473		
20	00111000061	WASHER 8.4X24X2		
21	94010820000	SPRING TENSION DRILL ROD		
22	00111530002	SYNTHETIZE BUSHING 8X10 L=9.5		
23	00111000080	SELF LOCKING NUT M10 UNI 7474		
24	87001000018	SPACER Ø35,5XØ30,1X4,5		
25	87001000016	DRIVE SHAFT SUPPORT		
26	00111300008	SCREW TE M8X25		
27	87001000017	DRIVE SHAFT		
28	00111980038	QUAD POWER II BELT		
29	84001200000	LH INNER PROTECTION FOR BELT		
30	00111450005	SCREW/W M6X16		
31	87001000029			
32	00777803400	OGURA ELECTROMAGNETIC CLUTCH		
33	00111900023	TONGUE 1/4X1/4X42		
34	00111300056	SCREW TE 7/16-20 L=60		
35	87001000030	CLUTCH FIXING SPACER		
36	84001210002	LEFT BELT SAFETY GUARD		
37	84001000025	CAPTIVE SCREW		
38	00111980047	SPB 2330 77-26 BELT		
39	84001210001	RIGHT BELT SAFETY GUARD		
40	87001000031	PTO IDLER PULLEY		
41	00777100025	KOYO BEARING 6304 2RS		
42	87001000028	IDLER PULLEY PIN		
43	87001000004	SPACER Ø27XØ20.5X3		
44	87001410000	PTO IDLER PULLEY SUPPORT BRACKET		
45	00111000095	SELF BLO. NUT M8		
46	00111250002	SELF LOCKING NUT M12 UNI 7474		
47	00111000105	WASHER P.13X24X2,5 UNI 6592		
48	87001000066	IDLER PULLEY TIE-ROD		
49	00111150010	NUT 5589		
50	87001000065	IDLER PULLEY TIE-ROD BENT BRACKET		
51	00111000035	SELF BLOC. NUT M6		
52	87001000067	IDLER PULLEY TIE-ROD HANDLE		
53	84001000008	TORSIONAL SPRING		
54	87001460000			
55	95029000007	STOP BELT PULLEY		

#

P/N

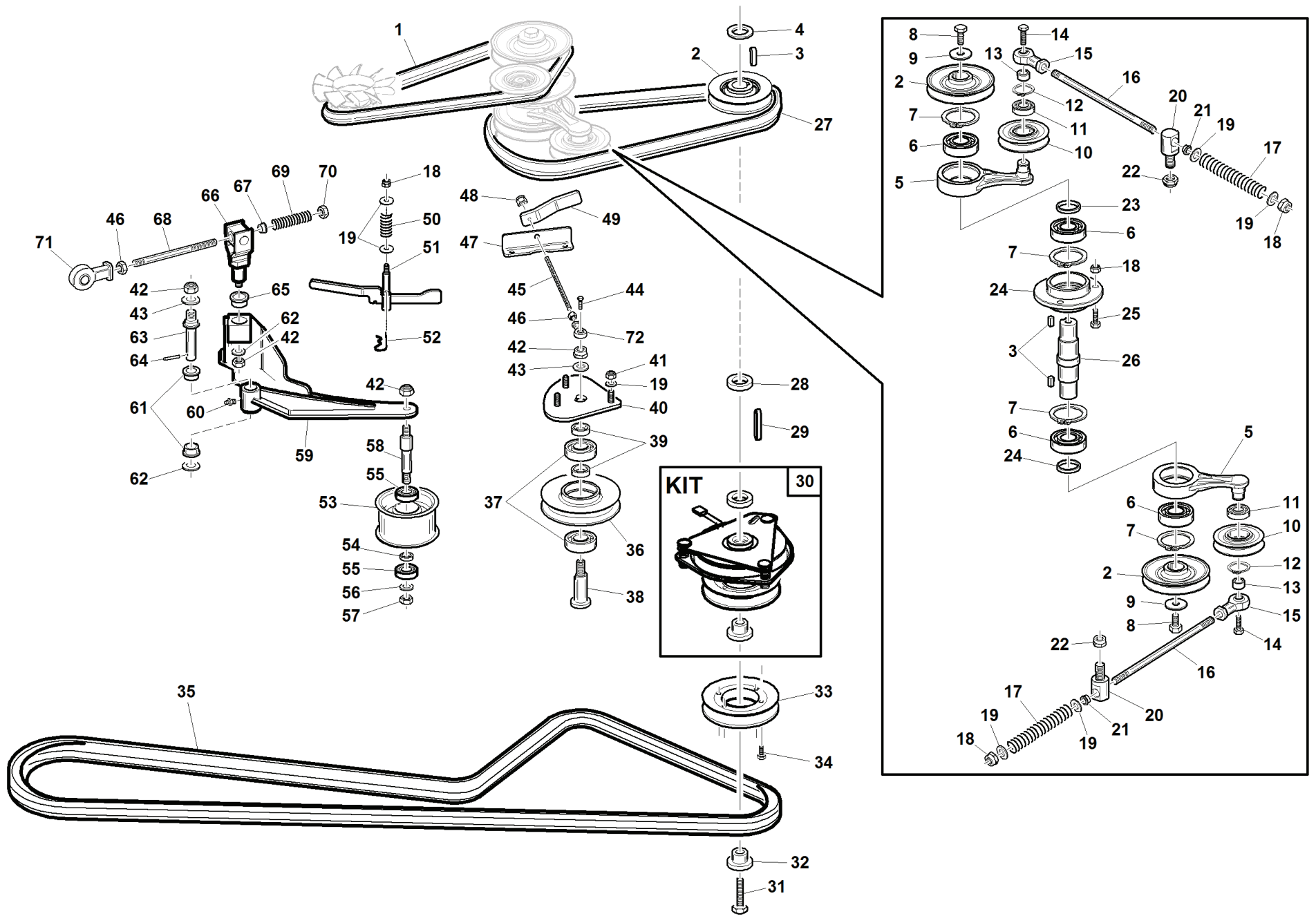
DESCR.

CAIMAN

ref. 06 - 0055501817

GITO

56	95029000023	SPACER 15,5x20x12,2
57	00777100005	KOYO BEARING 6202 2RS
58	00111000015	WASHER D.10,5X21X2
59	00111250004	SELF LOCKING NUT M10 UNI 7473
60	87001000048	PTO TIGHTENER PULLEY SHAFT
61	87001430000	PTO BELT-TIGHTENER
62	00111000036	GREASER M6
63	95001000060	BRASS BUSHING
64	00111500004	WASHER 15,2X28X2.5 UNI 6592TE
65	87001000049	PTO TIGHTENER FIXING PIN
66	00111000039	ELASTIC PEG D.5X24
67	00111990017	BUSHING WITH EDGE TFF 20/16,5
68	87001440000	PTO BELT-TIGHTENER PIN
69	00111530015	SINTERED BUSH
70	87001000064	PTO TIGHTENER DRIVE ROD
71	87001000059	SPRING De=19.2 L=152 FILO=3
72	00111250008	SELF LOCKING NUT M12 UNI 7473
73	00777200019	SPHEROX TF12 RIGHT
74	00777200030	ARTICULATION HEAD SPHEROX M8



#	P/N	DESCR.
1	00111980048	QUAD POWER III XPA 690 BELT
2	87001000019	ENGINE DRIVE PULLEY
3	00111900022	TONGUE 1/4 X 1/4 X 14,5
4	87001000057	SPACER Ø40xØ25.4x3
5	87001000020	BELT-TIGHTENER BRACKET
6	00777100061	6006 2RS1 BEARING
7	00111650003	SNAP RING D.55 I
8	00111000046	SCREW TE M10X20 8.8 ZNT
9	00111550010	ELASTIC CONIC WASHER M10X3
10	95500320000	TIGHTENER PULLEY
11	00777100032	KOYO BEARING 6003 2RS 17X35X10
12	00111650005	SNAP RING D.35 I
13	95001000027	BORE WASHER Ø8.25X14 L=8
14	00111000033	SCREW TE M8X30
15	00777200007	ARTICULATION HEAD CF8 M8
16	92001000021	LEVER STAFF BELT TIGHTENER
17	94500000088	PTO TIGHTENER SPRING
18	00111000071	SELF LOCKING NUT M8 UNI 7473
19	00111000061	WASHER 8.4X24X2
20	94010820000	SPRING TENSION DRILL ROD
21	00111530002	SYNTHETIZE BUSHING 8X10 L=9.5
22	00111000080	SELF LOCKING NUT M10 UNI 7474
23	87001000018	SPACER Ø35,5XØ30,1X4,5
24	87001000016	DRIVE SHAFT SUPPORT
25	00111300008	SCREW TE M8X25
26	87001000017	DRIVE SHAFT
27	00111980038	QUAD POWER II BELT
28	87001000027	SPACER Ø25,5XØ41,6X7,6
29	00111900023	TONGUE 1/4X1/4X42
30	95597010000	
31	00111300056	SCREW TE 7/16-20 L=60
32	87001000026	CLUTCH FIXING SPACER
33	87001000025	CLUTCH DRIVE PULLEY
34	00111300039	SCREW TE M6X30
35	00111980047	SPB 2330 77-26 BELT
36	87001000031	PTO IDLER PULLEY
37	00777100025	KOYO BEARING 6304 2RS
38	87001000028	IDLER PULLEY PIN
39	87001000004	SPACER Ø27XØ20.5X3
40	87001410000	PTO IDLER PULLEY SUPPORT BRACKET
41	00111000095	SELF BLO. NUT M8
42	00111250002	SELF LOCKING NUT M12 UNI 7474
43	00111000105	WASHER P.13X24X2,5 UNI 6592
44	00111450005	SCREW/W M6X16
45	87001000066	IDLER PULLEY TIE-ROD
46	00111150010	NUT 5589
47	87001000065	IDLER PULLEY TIE-ROD BENT BRACKET
48	00111000035	SELF BLOC. NUT M6
49	87001000067	IDLER PULLEY TIE-ROD HANDLE
50	95139100002	SPRING
51	87001460000	
52	00111000175	""R"" SPLIT PIN D.4 UNI 8833"
53	95029000007	STOP BELT PULLEY
54	95029000023	SPACER 15,5x20x12,2
55	00777100005	KOYO BEARING 6202 2RS

#

P/N

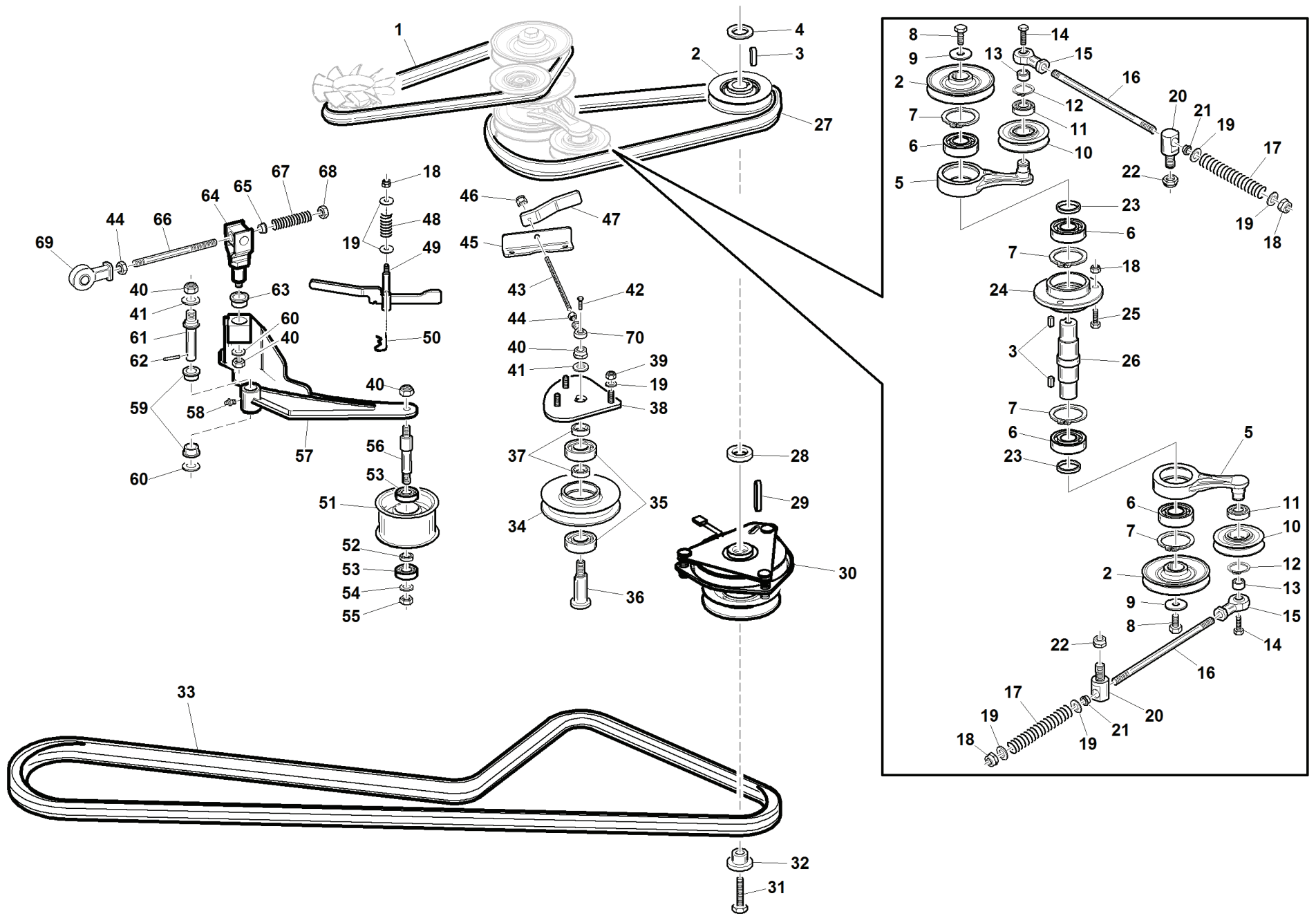
DESCR.

CAIMAN

ref. 06 - 00555501822

GITO

56	00111000015	WASHER D.10,5X21X2
57	00111250004	SELF LOCKING NUT M10 UNI 7473
58	87001000048	PTO TIGHTENER PULLEY SHAFT
59	87001430000	PTO BELT-TIGHTENER
60	00111000036	GREASER M6
61	95001000060	BRASS BUSHING
62	00111500004	WASHER 15,2X28X2.5 UNI 6592TE
63	87001000049	PTO TIGHTENER FIXING PIN
64	00111000039	ELASTIC PEG D.5X24
65	00111990017	BUSHING WITH EDGE TFF 20/16,5
66	87001440000	PTO BELT-TIGHTENER PIN
67	00111530015	SINTERED BUSH
68	87001000064	PTO TIGHTENER DRIVE ROD
69	87001000059	SPRING De=19.2 L=152 FILO=3
70	00111250008	SELF LOCKING NUT M12 UNI 7473
71	00777200019	SPHEROX TF12 RIGHT
72	00777200030	ARTICULATION HEAD SPHEROX M8



#	P/N	DESCR.
1	00111980048	QUAD POWER III XPA 690 BELT
2	87001000019	ENGINE DRIVE PULLEY
3	00111900022	TONGUE 1/4 X 1/4 X 14,5
4	87001000057	SPACER Ø40xØ25.4x3
5	87001000020	BELT-TIGHTENER BRACKET
6	00777100061	6006 2RS1 BEARING
7	00111650003	SNAP RING D.55 I
8	00111000046	SCREW TE M10X20 8.8 ZNT
9	00111550010	ELASTIC CONIC WASHER M10X3
10	95500320000	TIGHTENER PULLEY
11	00777100032	KOYO BEARING 6003 2RS 17X35X10
12	00111650005	SNAP RING D.35 I
13	95001000027	BORE WASHER Ø8.25X14 L=8
14	00111000033	SCREW TE M8X30
15	00777200007	ARTICULATION HEAD CF8 M8
16	92001000021	LEVER STAFF BELT TIGHTENER
17	94500000088	PTO TIGHTENER SPRING
18	00111000071	SELF LOCKING NUT M8 UNI 7473
19	00111000061	WASHER 8.4X24X2
20	94010820000	SPRING TENSION DRILL ROD
21	00111530002	SYNTHETIZE BUSHING 8X10 L=9.5
22	00111000080	SELF LOCKING NUT M10 UNI 7474
23	87001000018	SPACER Ø35,5XØ30,1X4,5
24	87001000016	DRIVE SHAFT SUPPORT
25	00111300008	SCREW TE M8X25
26	87001000017	DRIVE SHAFT
27	00111980038	QUAD POWER II BELT
28	87001000029	
29	00111900023	TONGUE 1/4X1/4X42
30	00777803400	OGURA ELECTROMAGNETIC CLUTCH
31	00111300056	SCREW TE 7/16-20 L=60
32	87001000030	CLUTCH FIXING SPACER
33	00111980047	SPB 2330 77-26 BELT
34	87001000031	PTO IDLER PULLEY
35	00777100025	KOYO BEARING 6304 2RS
36	87001000028	IDLER PULLEY PIN
37	87001000004	SPACER Ø27XØ20.5X3
38	87001410000	PTO IDLER PULLEY SUPPORT BRACKET
39	00111000095	SELF BLO. NUT M8
40	00111250002	SELF LOCKING NUT M12 UNI 7474
41	00111000105	WASHER P.13X24X2,5 UNI 6592
42	00111450005	SCREW/W M6X16
43	87001000066	IDLER PULLEY TIE-ROD
44	00111150010	NUT 5589
45	87001000065	IDLER PULLEY TIE-ROD BENT BRACKET
46	00111000035	SELF BLOC. NUT M6
47	87001000067	IDLER PULLEY TIE-ROD HANDLE
48	95139100002	SPRING
49	87001460000	
50	00111000175	""R"" SPLIT PIN D.4 UNI 8833"
51	95029000007	STOP BELT PULLEY
52	95029000023	SPACER 15,5x20x12,2
53	00777100005	KOYO BEARING 6202 2RS
54	00111000015	WASHER D.10,5X21X2
55	00111250004	SELF LOCKING NUT M10 UNI 7473

#

P/N

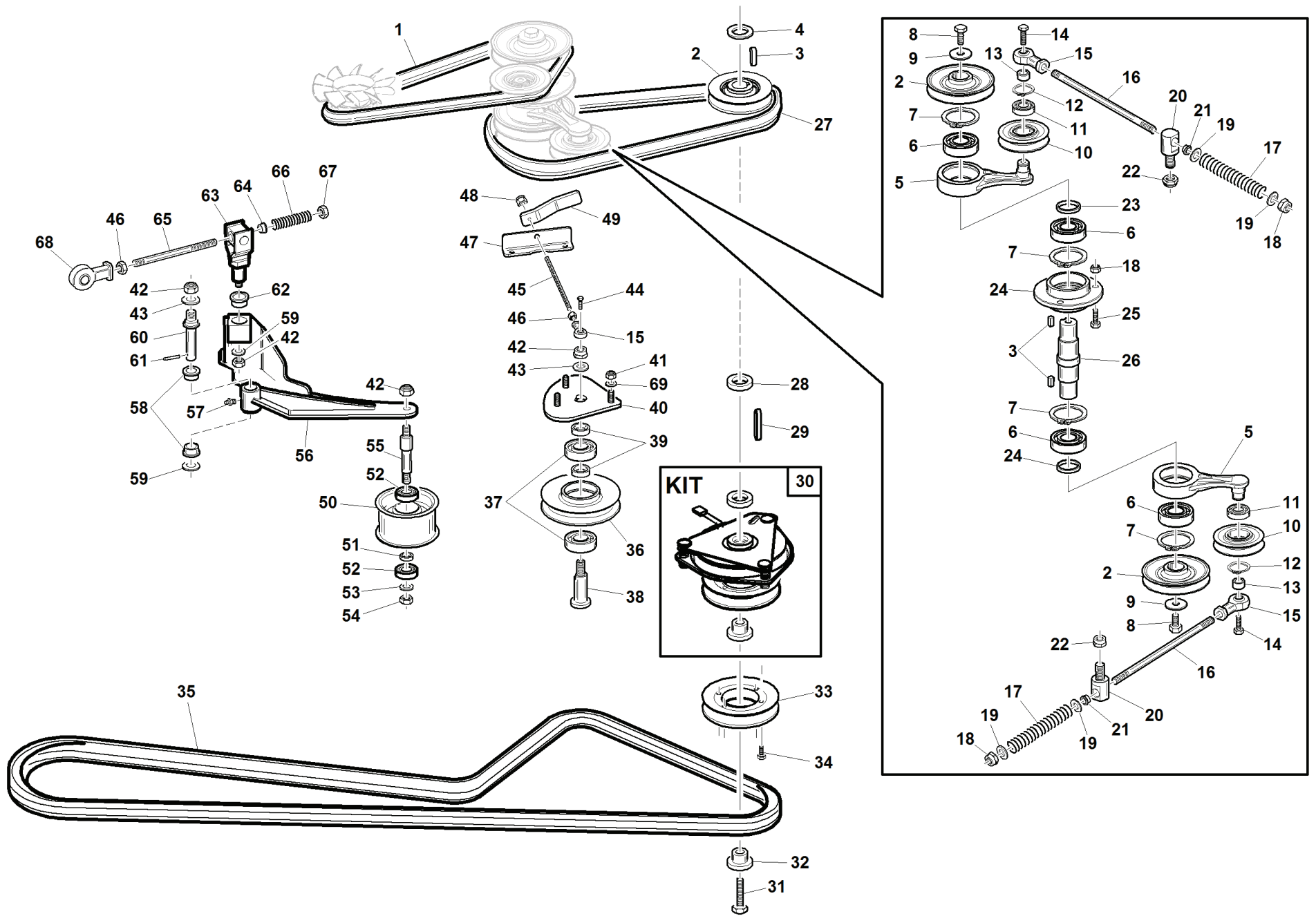
DESCR.

CAIMAN

ref. 06 - 00555501812

GITO

56	87001000048	PTO TIGHTENER PULLEY SHAFT
57	87001430000	PTO BELT-TIGHTENER
58	00111000036	GREASER M6
59	95001000060	BRASS BUSHING
60	00111500004	WASHER 15,2X28X2.5 UNI 6592TE
61	87001000049	PTO TIGHTENER FIXING PIN
62	00111000039	ELASTIC PEG D.5X24
63	00111990017	BUSHING WITH EDGE TFF 20/16,5
64	87001440000	PTO BELT-TIGHTENER PIN
65	00111530015	SINTERED BUSH
66	87001000064	PTO TIGHTENER DRIVE ROD
67	87001000059	SPRING De=19.2 L=152 FILO=3
68	00111250008	SELF LOCKING NUT M12 UNI 7473
69	00777200019	SPHEROX TF12 RIGHT
70	00777200030	ARTICULATION HEAD SPHEROX M8



#	P/N	DESCR.
1	00111980048	QUAD POWER III XPA 690 BELT
2	87001000019	ENGINE DRIVE PULLEY
3	00111900022	TONGUE 1/4 X 1/4 X 14,5
4	87001000057	SPACER Ø40xØ25.4x3
5	87001000020	BELT-TIGHTENER BRACKET
6	00777100061	6006 2RS1 BEARING
7	00111650003	SNAP RING D.55 I
8	00111000046	SCREW TE M10X20 8.8 ZNT
9	00111550010	ELASTIC CONIC WASHER M10X3
10	95500320000	TIGHTENER PULLEY
11	00777100032	KOYO BEARING 6003 2RS 17X35X10
12	00111650005	SNAP RING D.35 I
13	95001000027	BORE WASHER Ø8.25X14 L=8
14	00111000033	SCREW TE M8X30
15	00777200007	ARTICULATION HEAD CF8 M8
16	92001000021	LEVER STAFF BELT TIGHTENER
17	94500000088	PTO TIGHTENER SPRING
18	00111000071	SELF LOCKING NUT M8 UNI 7473
19	00111000061	WASHER 8.4X24X2
20	94010820000	SPRING TENSION DRILL ROD
21	00111530002	SYNTHETIZE BUSHING 8X10 L=9.5
22	00111000080	SELF LOCKING NUT M10 UNI 7474
23	87001000018	SPACER Ø35,5XØ30,1X4,5
24	87001000016	DRIVE SHAFT SUPPORT
25	00111300008	SCREW TE M8X25
26	87001000017	DRIVE SHAFT
27	00111980038	QUAD POWER II BELT
28	87001000027	SPACER Ø25,5XØ41,6X7,6
29	00111900023	TONGUE 1/4X1/4X42
30	95597010000	
31	00111300056	SCREW TE 7/16-20 L=60
32	87001000026	CLUTCH FIXING SPACER
33	87001000025	CLUTCH DRIVE PULLEY
34	00111300039	SCREW TE M6X30
35	00111980047	SPB 2330 77-26 BELT
36	87001000031	PTO IDLER PULLEY
37	00777100025	KOYO BEARING 6304 2RS
38	87001000028	IDLER PULLEY PIN
39	87001000004	SPACER Ø27XØ20.5X3
40	87001410000	PTO IDLER PULLEY SUPPORT BRACKET
41	00111000095	SELF BLO. NUT M8
42	00111250002	SELF LOCKING NUT M12 UNI 7474
43	00111000105	WASHER P.13X24X2,5 UNI 6592
44	00111450005	SCREW/W M6X16
45	87001000066	IDLER PULLEY TIE-ROD
46	00111150010	NUT 5589
47	87001000065	IDLER PULLEY TIE-ROD BENT BRACKET
48	00111000035	SELF BLOC. NUT M6
49	87001000067	IDLER PULLEY TIE-ROD HANDLE
50	95029000007	STOP BELT PULLEY
51	95029000023	SPACER 15,5x20x12,2
52	00777100005	KOYO BEARING 6202 2RS
53	00111000015	WASHER D.10,5X21X2
54	00111250004	SELF LOCKING NUT M10 UNI 7473
55	87001000048	PTO TIGHTENER PULLEY SHAFT

#

P/N

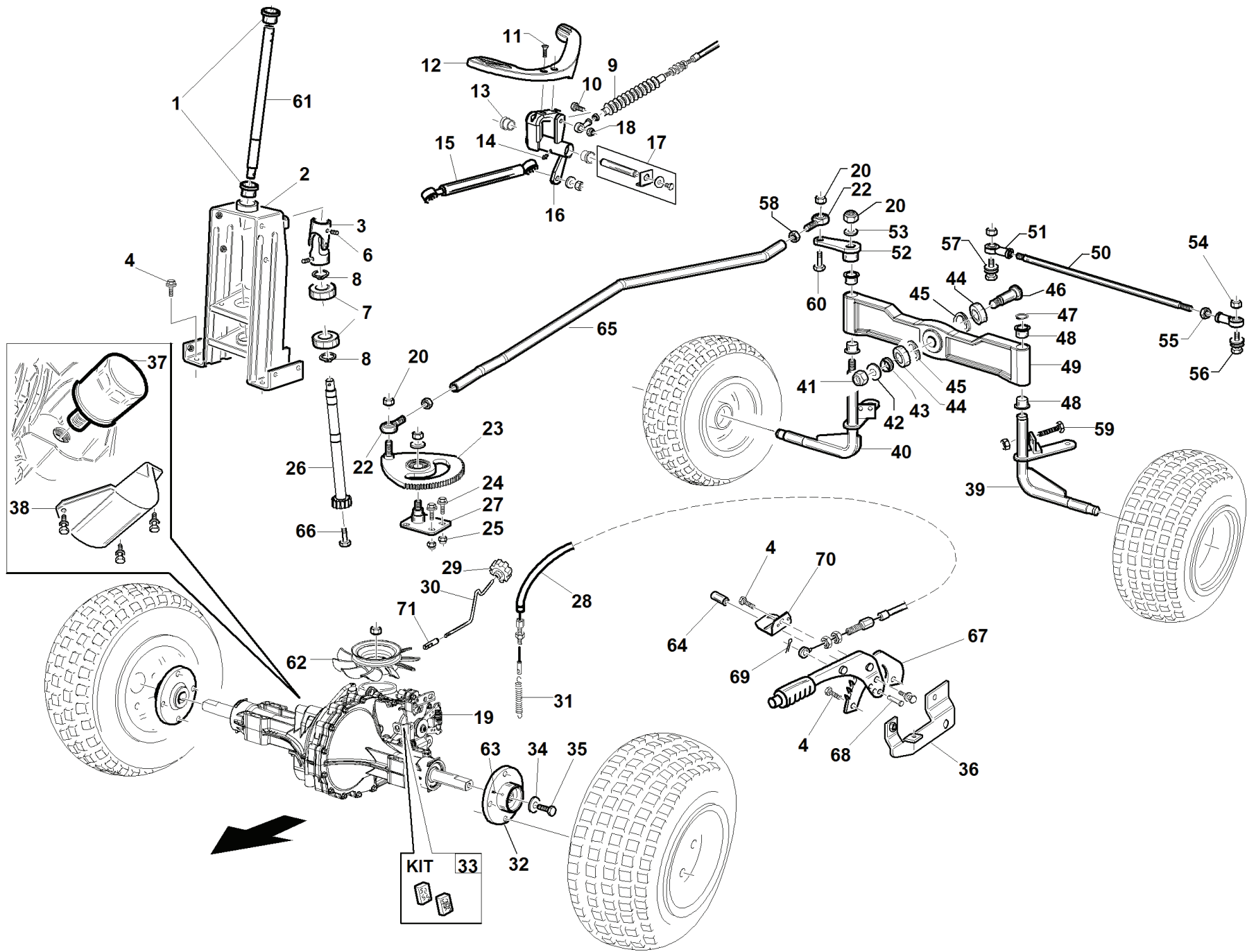
DESCR.

CAIMAN

ref. 06 - 00555501806

GITO

56	87001430000	PTO BELT-TIGHTENER
57	00111000036	GREASER M6
58	95001000060	BRASS BUSHING
59	00111500004	WASHER 15,2X28X2.5 UNI 6592TE
60	87001000049	PTO TIGHTENER FIXING PIN
61	00111000039	ELASTIC PEG D.5X24
62	00111990017	BUSHING WITH EDGE TFF 20/16,5
63	87001440000	PTO BELT-TIGHTENER PIN
64	00111530015	SINTERED BUSH
65	87001000064	PTO TIGHTENER DRIVE ROD
66	87001000059	SPRING De=19.2 L=152 FILO=3
67	00111250008	SELF LOCKING NUT M12 UNI 7473
68	00777200019	SPHEROX TF12 RIGHT
69	00777200030	ARTICULATION HEAD SPHEROX M8



#	P/N	DESCR.	CAIMAN	ref. 07 - 00555501807 GITO
1	95500000029	BUSHING STEERING		
2	94500260000	STEERING COLUMN		
3	00777200002	STEERING JOINT		
4	00111450003	SCREW WASHER M8X20		
5	00111000082	NUT M8		
6	00111000147	PIN EL D.5X30		
7	00777100008	BEARING 6204 2RS 20x47x14		
8	00111000057	SNAP RING D.20 E		
9	92006000012	ADVANCEMENT CABLE GTSD		
10	00111000137	SCREW TE M6X25		
11	00111350022	SCREW TSPEI M8X30 ZNT		
12	95533000003	ACCELERATOR PEDAL		
13	95001000060	BRASS BUSHING		
14	00111000036	GREASER M6		
15	00777600196	100N DAMPER		
16	89001320000	ACCELERATOR PEDAL SUPP. COMPL.		
17	95597270000	PEDAL PIN KIT		
18	00111000035	SELF BLOC. NUT M6		
19	87001000012	HYDRO GEAR G700 HYDROSTATIC GROUP		
20	00111250002	SELF LOCKING NUT M12 UNI 7474		
21	00111000080	SELF LOCKING NUT M10 UNI 7474		
22	00777200022	ARTICULATION HEAD TM12 M12		
23	87001300000	STEERING CROWN		
24	00111000093	HEXAGON SCREW M8x20 UNI 5739		
25	00111000095	SELF BLO. NUT M8		
26	87001000041	STEERING SHAFT		
27	87001320000	STEERING CROWN SUPPORT		
28	89001000029	PARK BRAKE CABLE		
29	00111610001	KNOB M6		
30	87001000058	BYPASS LEVER		
31	89001000030	TRACTION SPRING De=14.5 L=73		
32	87001000015	WHEEL HUB		
33	95598620000	GTM/GSM AXLE BRAKE PAD		
34	00111550010	ELASTIC CONIC WASHER M10X3		
35	00111300075	SCREW		
36	PZ95500390000	HAND BRAKE SUPPORT		
37	00777650076	HYDROSTATIC GROUP OIL FILTER		
38	95599000121	GTR HYDROSTATIC GROUP OIL FILTER PROTECT		
39	87001240000	LH WHEEL SUPPORT		
40	87001230000	RH WHEEL SUPPORT		
41	00111000167	SELF BL. SCREW		
42	00111500025	WASHER 17X30X3		
43	87001000033	FLANGED SPACER		
44	00777100006	BEARING 6004 2RS 20X42X12		
45	00111650002	SNAP RING D.42 I UNI 7437		
46	87001000032	REAR AXLE PIN		
47	00111650013	SNAP RING D.20X1,5 E		
48	00111990017	BUSHING WITH EDGE TFF 20/16,5		
49	87001000007	STEERING WHEELS AXLE		
50	87001000050	STEERING TIE ROD		
51	00777200027	ARTICULATION HEAD CF10 M10		
52	87001220000	STEERING CONTROL LEVER		
53	00111000105	WASHER P.13X24X2,5 UNI 6592		
54	00111250004	SELF LOCKING NUT M10 UNI 7473		
55	00111150002	NUT M10 UNI 5588		

#

P/N

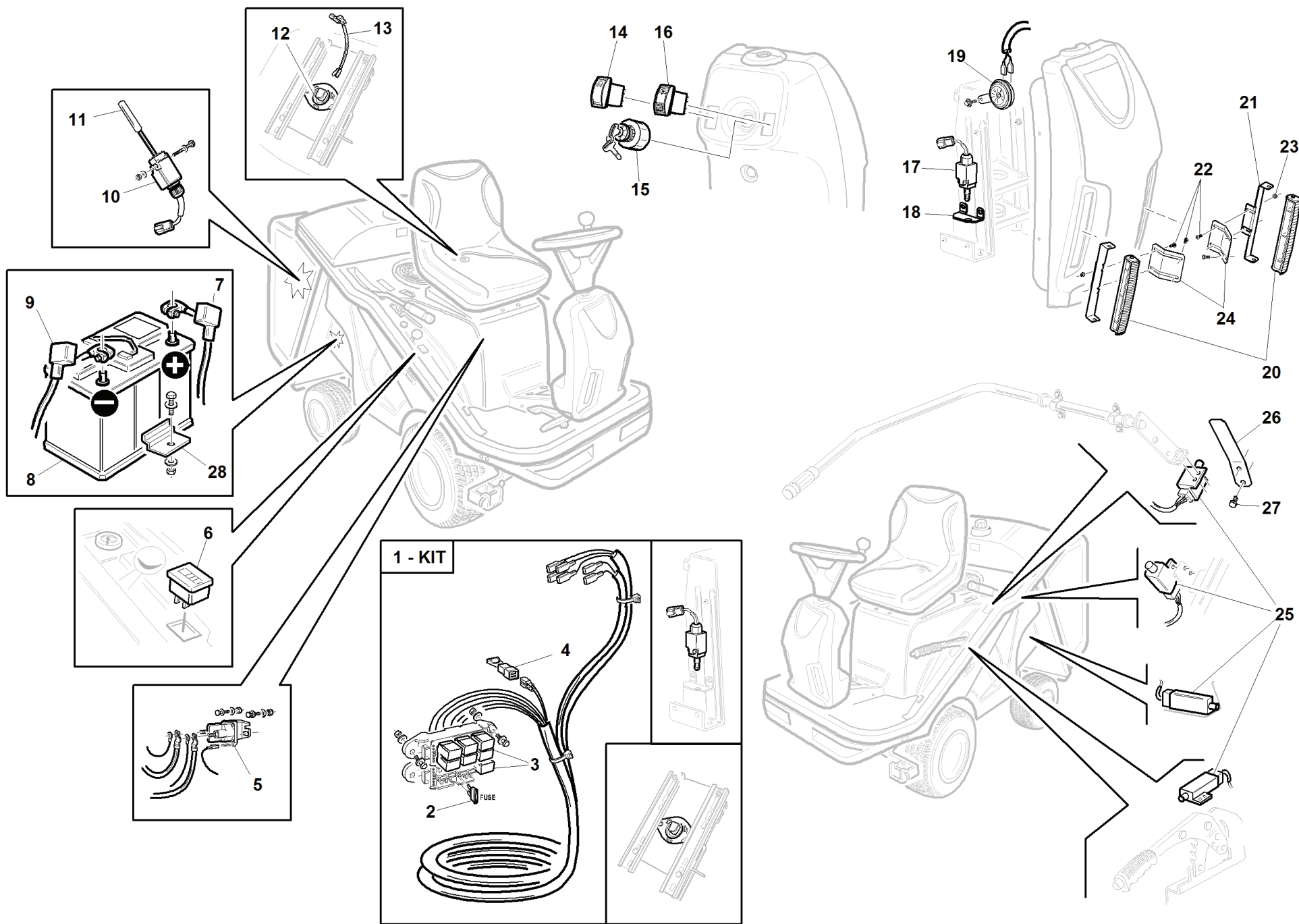
DESCR.

CAIMAN

ref. 07 - 00555501807

GITO

56	00111300018	HEXAGON SCREW M10x35 UNI 5739
57	00111000015	WASHER D.10,5X21X2
58	00111150010	NUT 5589
59	00111000094	SCREW TE M8X40
60	00111000024	SCREW TE UNI 5739
61	89001000054	STEERING WHEEL SHAFT
62	95598800000	GTR HYDROSTATIC GROUP PULLEY-FAN KIT
63	00111960001	GRUB M8X10 NO POINT
64	95002000004	HOPPER STOP PIN
65	87001000040	STEERING CONTROL TIE-ROD
66	00111000129	SCREW UNI 5737
67	00111990015	HAND BRAKE LEVER
68	00777180006	PIN Ø8 L=20 UNI 1710
69	00111750006	SPLIT PIN 1,6X20
70	89001000013	FULL HOPPER MICROSWITCH SUPPORT
71	89001000039	EYELET M6 Ø6.7



#

P/N

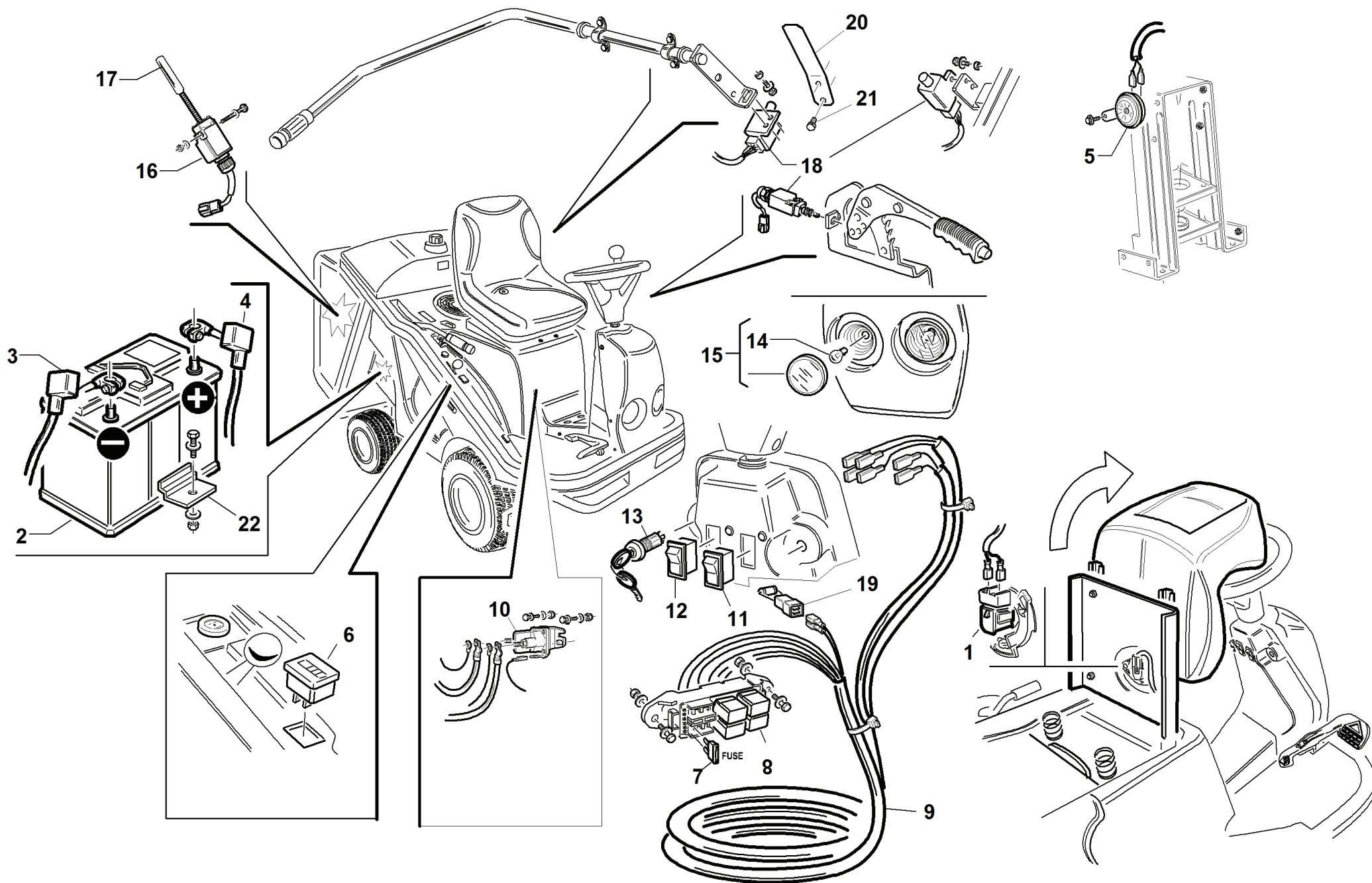
DESCR.

CAIMAN

ref. 08 - 00555501819

GITO

1	95597480000	GTR ELECTRIC HARNESS KIT
2	00777800214	"MICRO BLADE FUSE 20A
3	00777800059	MICRO RELAYS 12V
4	00777800235	ELECTRIC DIODE BY 255 3A W/CONNECTOR
5	00777800218	RELAIS B&S
6	00777800219	HOUR METER
7	87001350001	POSITIVE BATTERY WIRE
8	95599000036	BATTERY 12V 43A
9	89001500004	NEGATIVE BATTERY CABLE
10	91002140007	MULTI-PURPOSE WIRED MICRO SWITCH
11	95599000170	EXTENSION FOR COLLECTOR MICRO SWITCH
12	00777800304	SEAT MICRO SWITCH
13	87001530002	CONNECTION FOR SEAT MICRO SWITCH
14	00777800299	HEADLAMP SWITCH
15	00777800222	START SWITCH
16	00777800298	PTO SWITCH
17	95162201300	STOP LIGHTS WIRED MICRO
18	92111000005	SUPPORT FOR STOP-LIGHTS MICRO SWITC
19	00777800022	HORN 12V
20	00777800305	HEADLIGHT LED
21	87001000077	HEADLIGHT SUPPORT
22	001111450017	SCREW FR M4X18
23	00111250006	SELF BL. NUT M4
24	87001000078	HEADLIGHT SUPPORT BRACKET
25	00777800223	FULL HOPPER MICRO SWITCH
26	89001000044	HOPPER MICRO SPRING
27	00111300002	SCREW TE M6X12
28	94500000079	BRACKET FIXING BATTERY



#

P/N

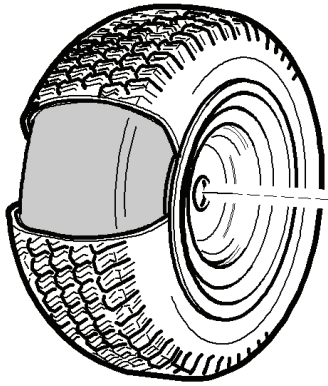
DESCR.

CAIMAN

ref. 08 - 00555501808

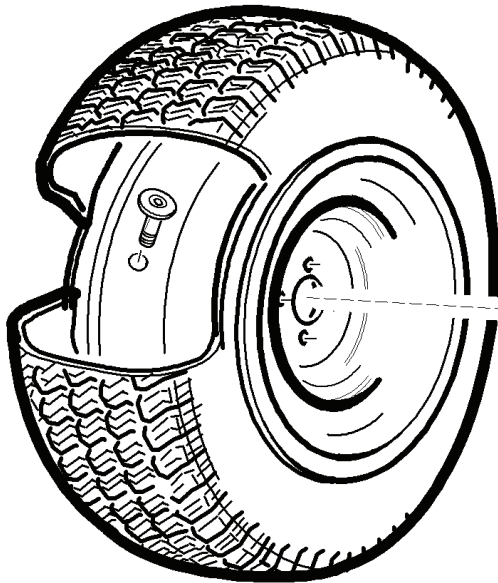
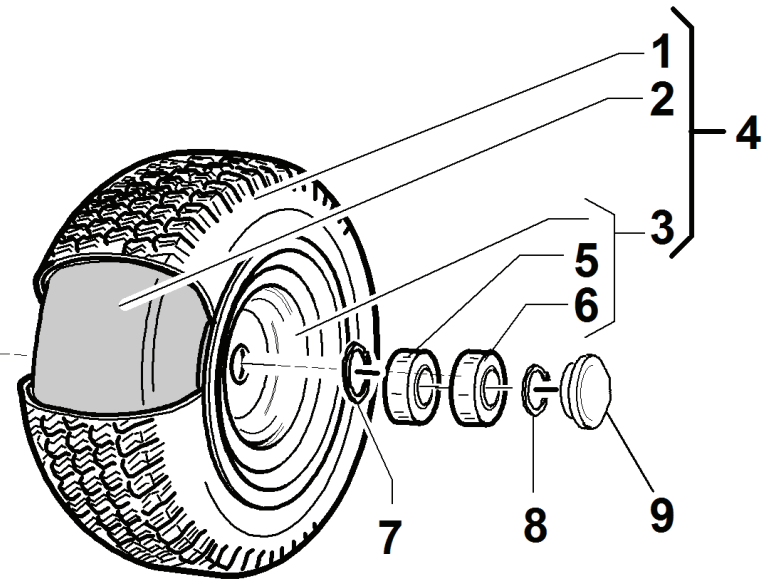
GITO

1	00777800216	SEAT MICRO SWITCH
2	95599000036	BATTERY 12V 43A
3	89001500004	NEGATIVE BATTERY CABLE
4	87001350001	POSITIVE BATTERY WIRE
5	00777800022	HORN 12V
6	00777800219	HOUR METER
7	00777800214	"MICRO BLADE FUSE 20A
8	00777800059	MICRO RELAYS 12V
9	89001500001	GTM155/160 CENTRAL HARNESS
10	00777800218	RELAIS B&S
11	00777800221	CLUTCH SWITCH
12	00777800220	LAMPS SWITCH
13	00777800222	START SWITCH
14	95599000021	LAMP WITH SUPPORT
15	00777800137	PROJECTOR
16	91002140007	MULTI-PURPOSE WIRED MICRO SWITCH
17	00111970178	FUEL % OIL HOSE
18	00777800223	FULL HOPPER MICRO SWITCH
19	00777800235	ELECTRIC DIODE BY 255 3A W/CONNECTOR
20	89001000044	HOPPER MICRO SPRING
21	00111300002	SCREW TE M6X12
22	94500000079	BRACKET FIXING BATTERY



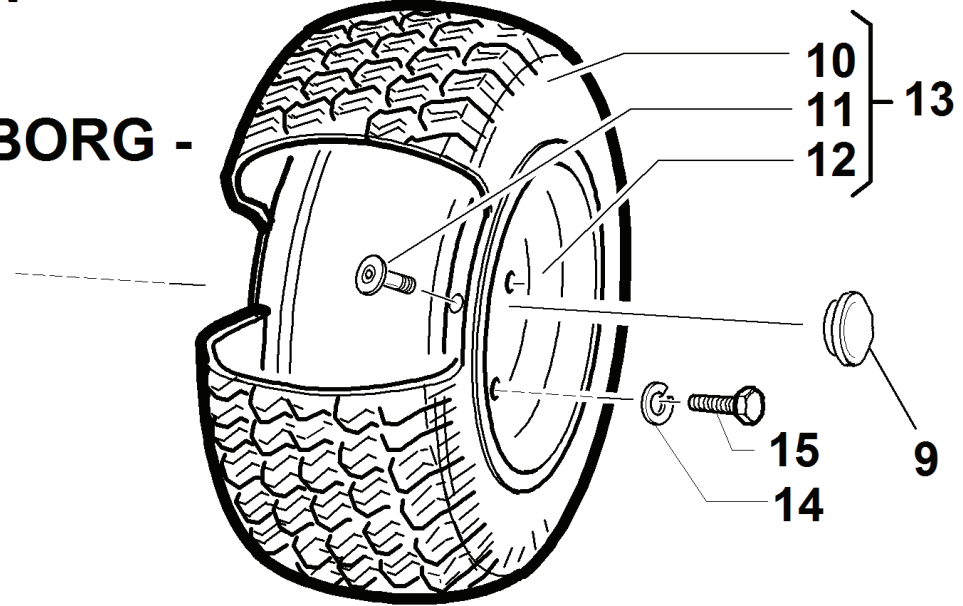
13"

- TRELLEBORG -



16"

- TRELLEBORG -



#

P/N

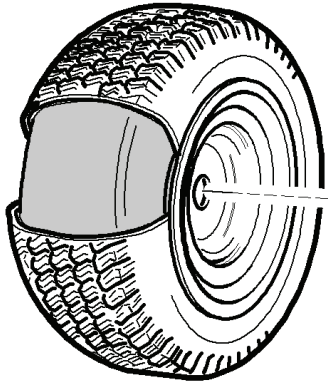
DESCR.

CAIMAN

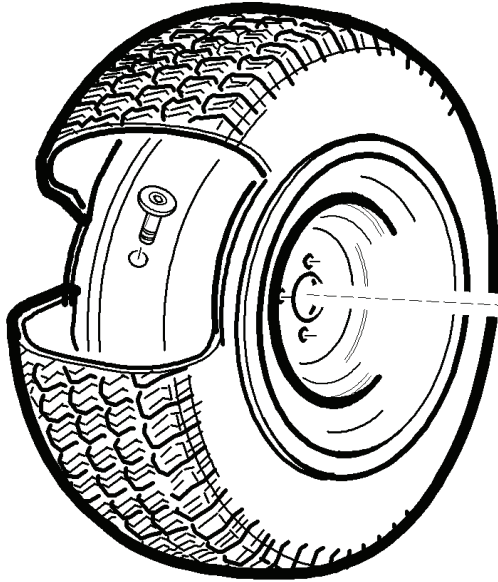
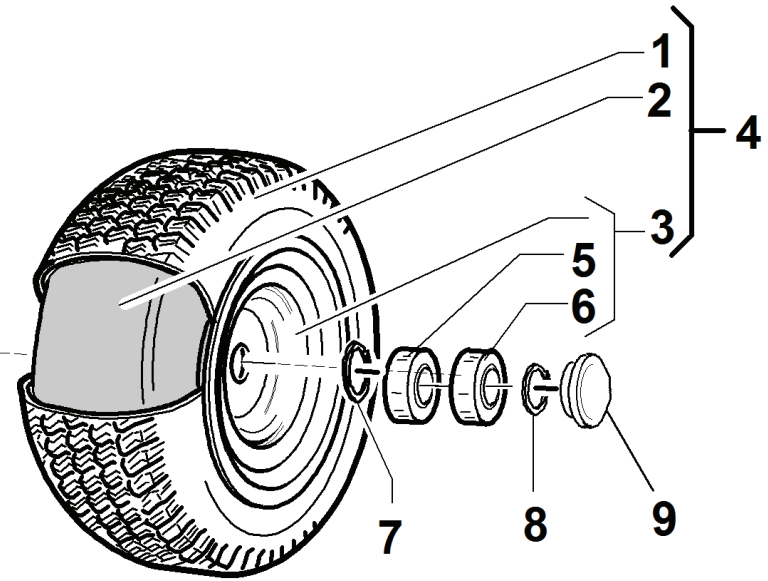
ref. 09 - 00555501815

GITO

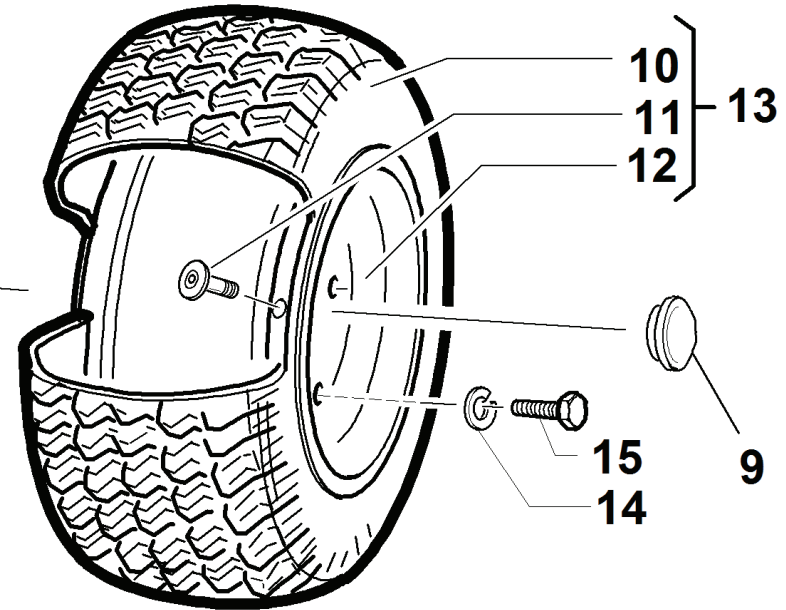
1	00111940013	TRELLEBROG TIRE 140-6 4T539
2	00111930001	"INNER TUBE 13x5.00X6"" "
3	92003110001	"WHEEL RIM 3.75X6""""
4	92003120000	WHEEL 140-6 (2WD)
5	00777100008	BEARING 6204 2RS 20x47x14
6	00777100028	KOYO BEARING 6303 2RS
7	00111650013	SNAP RING D.20X1,5 E
8	00111650034	SNAP RING D.17 E
9	00111970214	Ø52 ROUND PLUG
10	00111940038	TRELLEBORG TIRE 16X7.50-8
11	00111930006	TUBELESS VALVE TR413
12	87001170001	"WHEEL RIM 5.75X8""""
13	87001480000	WHEEL 16x7.50
14	00111550004	ELASTIC WASHER M12
15	00111300055	SCREW TE M12X1,25X25



13"
- CARLISLE -



16"
- CARLISLE -



#

P/N

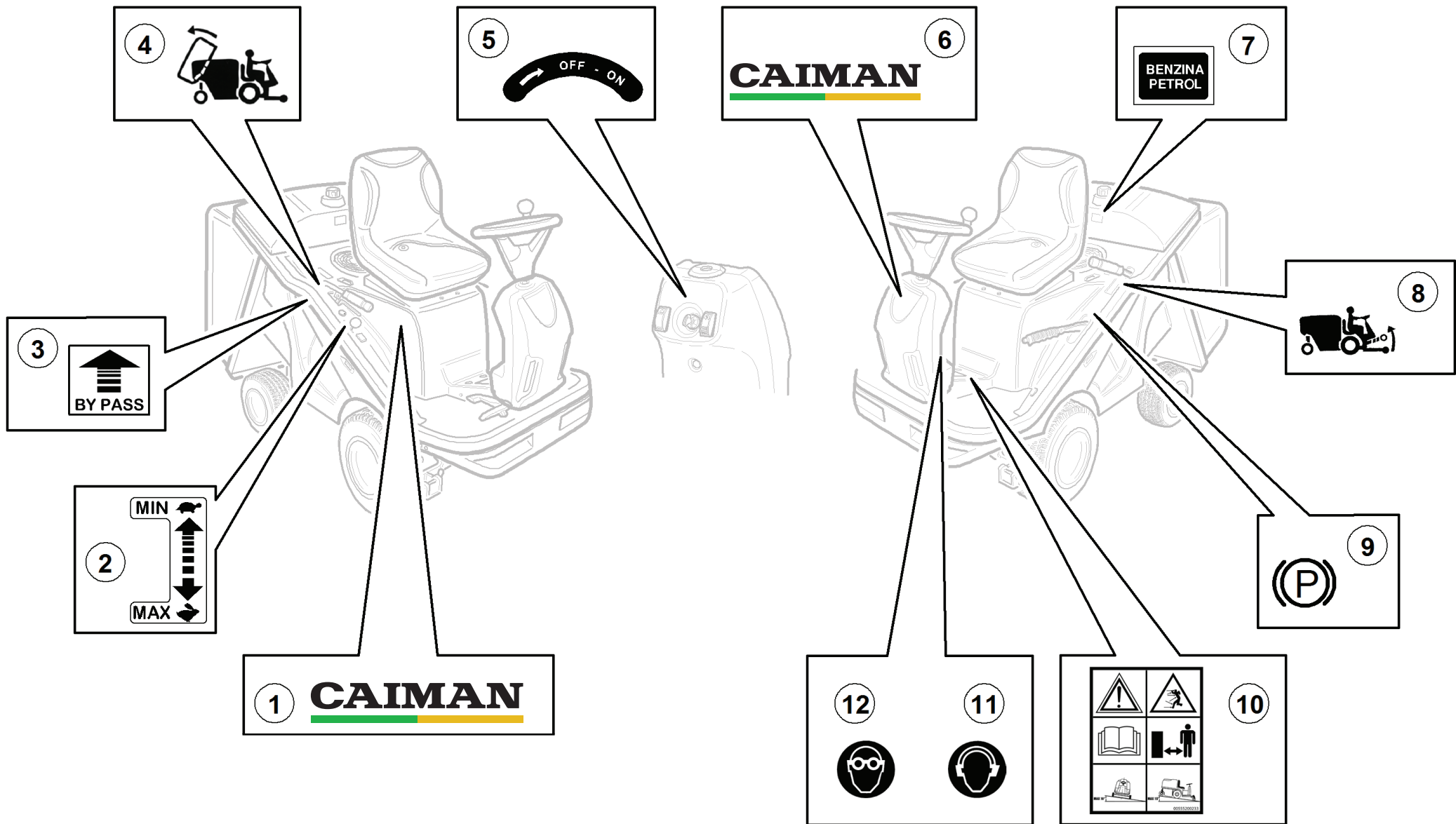
DESCR.

CAIMAN

ref. 09 - 00555501809

GITO

1	00111940033	TURFMASTER 13X5.00-6 4PR TIRE
2	00111930001	"INNER TUBE 13x5.00X6"" "
3	92003110001	"WHEEL RIM 3.75X6""""
4	87001160000	CARLISE WHEEL 13X5.00-6
5	00777100008	BEARING 6204 2RS 20x47x14
6	00777100028	KOYO BEARING 6303 2RS
7	00111650013	SNAP RING D.20X1,5 E
8	00111650034	SNAP RING D.17 E
9	00111970214	Ø52 ROUND PLUG
10	00111940032	TURFMASTER 16X7.50-8 4PR TIRE
11	00111930006	TUBELESS VALVE TR413
12	87001170001	"WHEEL RIM 5.75X8""""
13	87001170000	CARLISLE 16x7.50-8 WHEEL
14	00111550004	ELASTIC WASHER M12
15	00111300055	SCREW TE M12X1,25X25



#

P/N

DESCR.

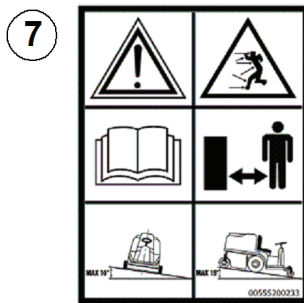
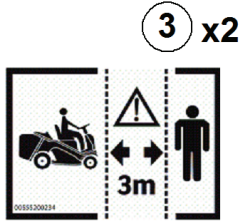
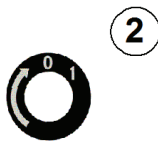
CAIMAN

ref. 10 - 00555501820

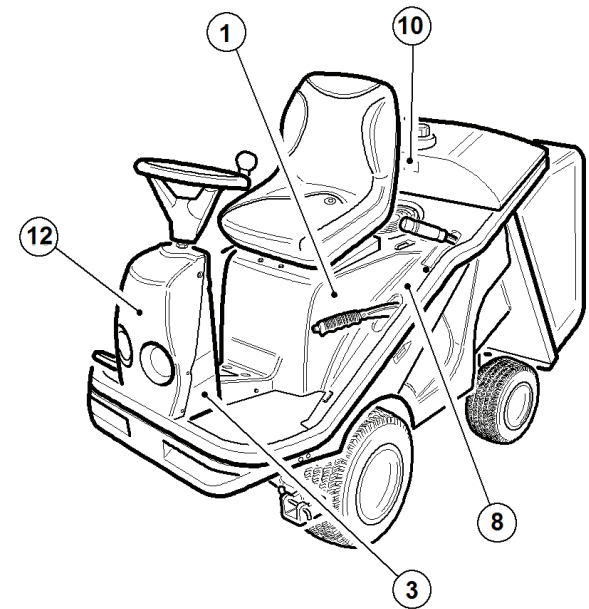
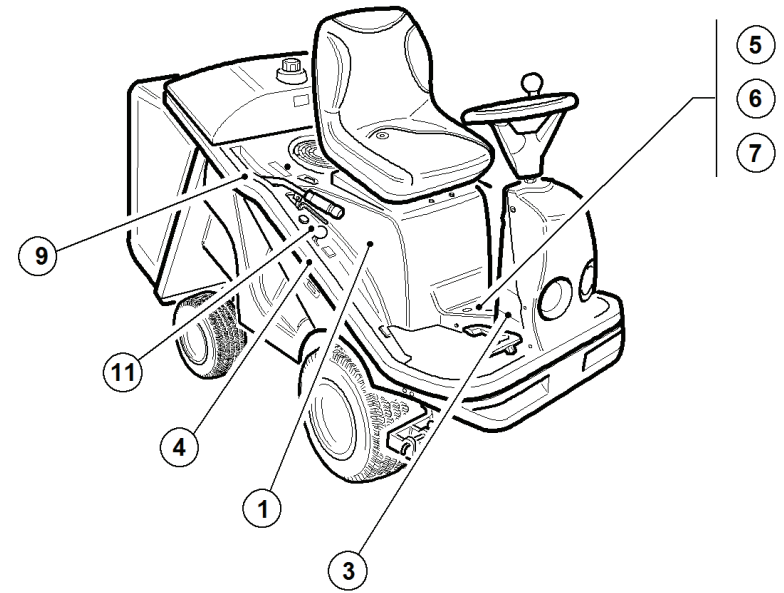
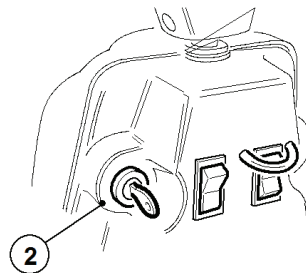
GITO

1		CAIMAN DECAL
2	00555200327	BY-PASS DECAL
3	00555200326	MIN-MAX THROTTLE DECAL
4	00555200332	COLLECTOR DUMPING DECAL
5	00555200335	START IGNITION DECAL
6		CAIMAN DECAL
7	00555200163	""PETROL"" FUEL TRANSFER PRINTING"
8	00555200333	ATTACHMENT LINKAGE DECAL
9	00555200329	PARKING BRAKE DECAL
10	00555200233	DANGER TRANSFER PRINTING GTM
11	00555200129	TRANSFER PRINT.HEARING PROTEC.
12	00555200130	TRANSFER PRINTING EYE PROTECTION

1 x2
CAIMAN



12 **CAIMAN**



#

P/N

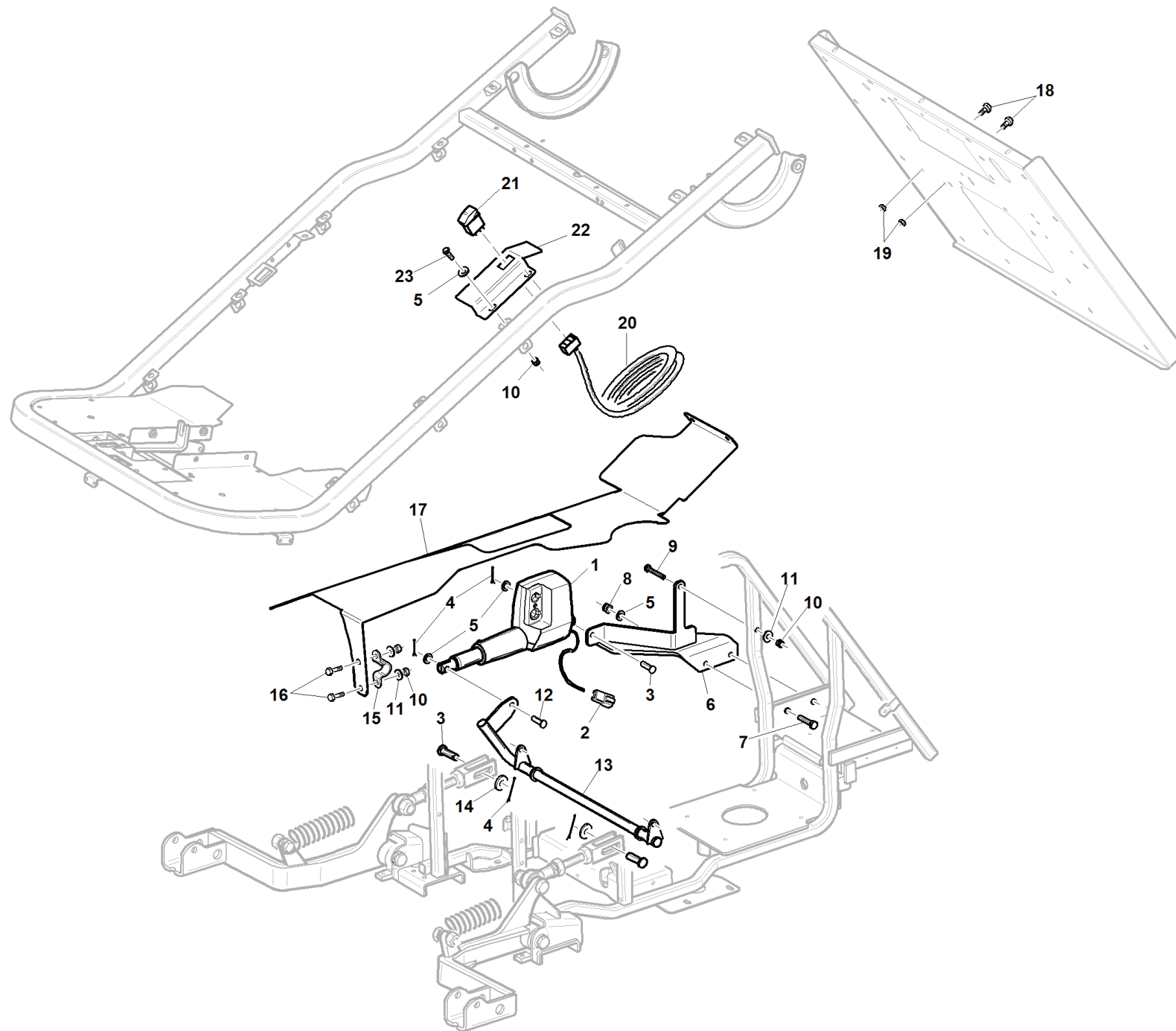
DESCR.

CAIMAN

ref. 10 - 00555501810

GITO

1		CAIMAN DECAL
2	00555200013	TRANSFER PRINTING START
3	00555200203	TRANSFER PRINTING FOR MOWER DECK & AUX
4	00555200239	TR.PRINTING BY-PASS
5	00555200130	TRANSFER PRINTING EYE PROTECTION
6	00555200129	TRANSFER PRINT.HEARING PROTEC.
7	00555200233	DANGER TRANSFER PRINTING GTM
8	00555200241	"TR.PRINTING ""PARKING BRAKE""
9	00555200238	TR.PRINTING OVERTURNING ARM
10	00555200163	""PETROL"" FUEL TRANSFER PRINTING"
11	00555200237	TR.PRINTING MIN-MAX STARTER
12		CAIMAN DECAL



#

P/N

DESCR.

GITO

1	87106000003	LINEAR ACTUATOR
2	00777800296	FEMALE CONNECTOR KIT
3	87001000037	PIN Ø10
4	00111750007	SPLIT PIN
5	00111000015	WASHER D.10,5X21X2
6	87106100000	ACTUATOR SUPPORT
7	00111300101	HEXAGON M10X40 SCREW
8	00111250004	SELF LOCKING NUT M10 UNI 7473
9	00111300021	HEXAGON SCREW M8X45 UNI 5739
10	00111000071	SELF LOCKING NUT M8 UNI 7473
11	00111000061	WASHER 8.4X24X2
12	87106000004	PIN Ø10
13	87106110000	DECK LINKAGE LEVER
14	00111500013	WASHER 10,5x18x2 UNI 6592
15	89001000003	BRACKET
16	00111000094	SCREW TE M8X40
17	87106000001	RH THERMIC PROTECTION PLATE
18	00111450005	SCREW/W M6X16
19	00111000166	SELF LOCKING NUT M6 UNI 7473
20	87106120001	CONNECTION FOR GTR LINKAGE ACTUATOR
21	00777800295	SWITCH FOR LINKAGE ACTUATOR
22	87106000002	SWITCH SUPPORT PLATE
23	00111300008	SCREW TE M8X25