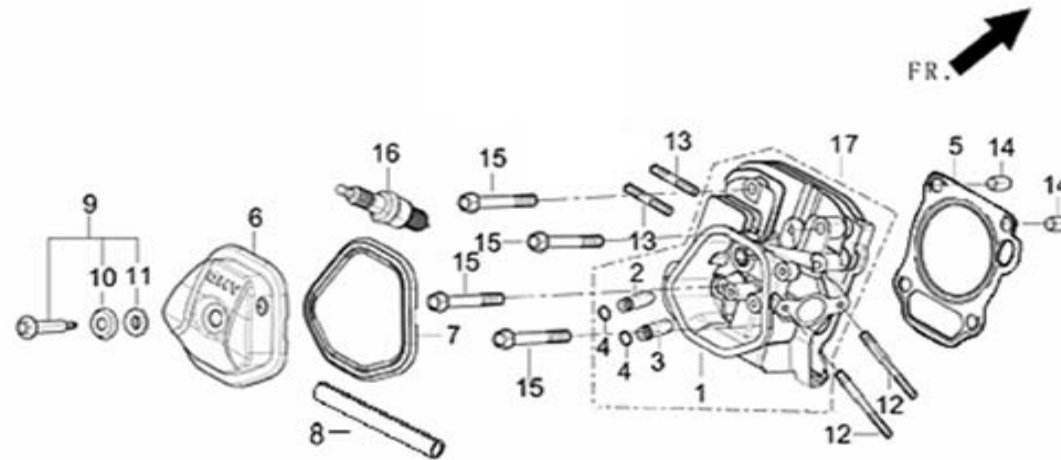


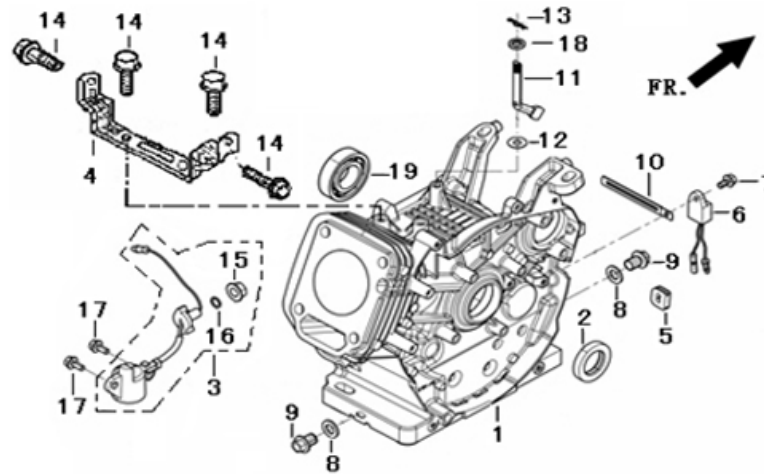
Caiman Green Engine 420CC G series

FIG.1 HEAD SUBASSEMBLY, CYLINDER / PLUG, SPARK(E04)



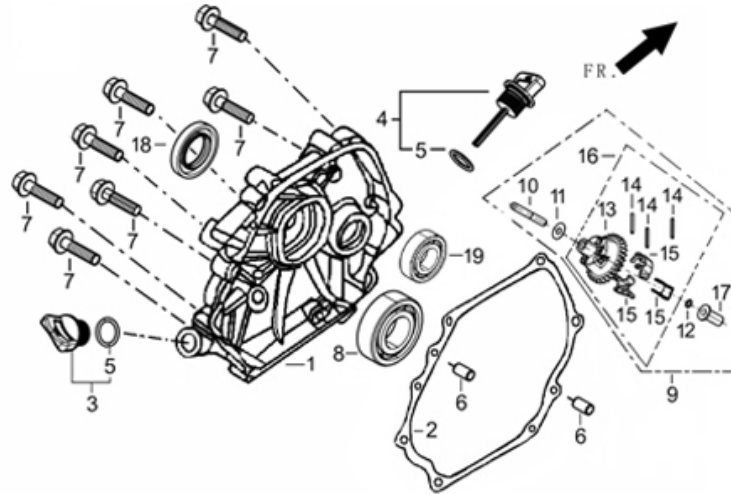
REF.NO.		DESCRIPTION	Q'TY	
E04-5	UG420-00001	GASKET, CYLINDER HEAD	1	
E04-6	UG420-00002	COVER SUBASSEMBLY, CYLINDER HEAD	1	
E04-7	UG420-00003	GASKET, CYLINDER HEAD COVER	1	
E04-8	UG420-00004	TUBE, BREATHER	1	
E04-9	UG420-00005	BOLT SUBASSEMBLY, CYLINDER HEAD COVER	1	
E04-12	UG420-00006	TUBE, BREATHER	2	
E04-13	UG420-00007	TUBE, BREATHER	2	
E04-14	UG420-00008	PIN	2	
E04-15	UG420-00009	BOLT, CYLINDER HEAD	4	
E04-16	UG210-00001	PLUG, SPARK	1	
E04-17	UG420-00010	HEAD SUBASSEMBLY. CYLINDER	1	

FIG.2 CRANKCASE.(E01)



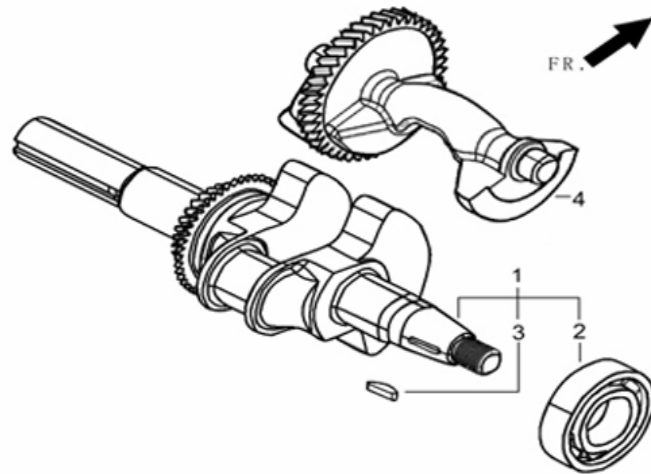
REF.NO.		DESCRIPTION	Q'TY	
E17-1	UG420-00011	CRANKCASE SUBASSEMBLY.	1	
E17-2	UG420-00020	SEAL, OIL	1	
E17-3	UG420-00012	SENSOR, ENGINE OIL	1	
E17-4	UG420-00013	FRAME, FUEL TANK INSTALLTION	1	
E17-5	UG420-00014	PROTECTOR, OIL	1	
E17-6	U210-00124	PROTECTOR, OIL	1	
E17-7	U210-00005	BOLT	1	
E17-8	UG420-00015	WASHER	2	
E17-9	UG420-00016	BOLT, DRAIN PLUG	2	
E17-10	U210-00104	CLIP	1	
E17-11	UG420-00017	ARM, GOVERNOR	1	
E17-12	UG420-00018	WASHER	1	
E17-13	U210-00020	PIN	1	
E17-14	UG420-00019	BOLT	4	
E17-17	U210-00061	BOLT	2	
E17-18	UG420-00020	SEAL, OIL	1	
E17-19	UG420-00021	BEARING	1	

FIG.3 COVER SUBASSEMBLY, CRANKCASE / GEAR ASSY, GOVERNOR(E16)



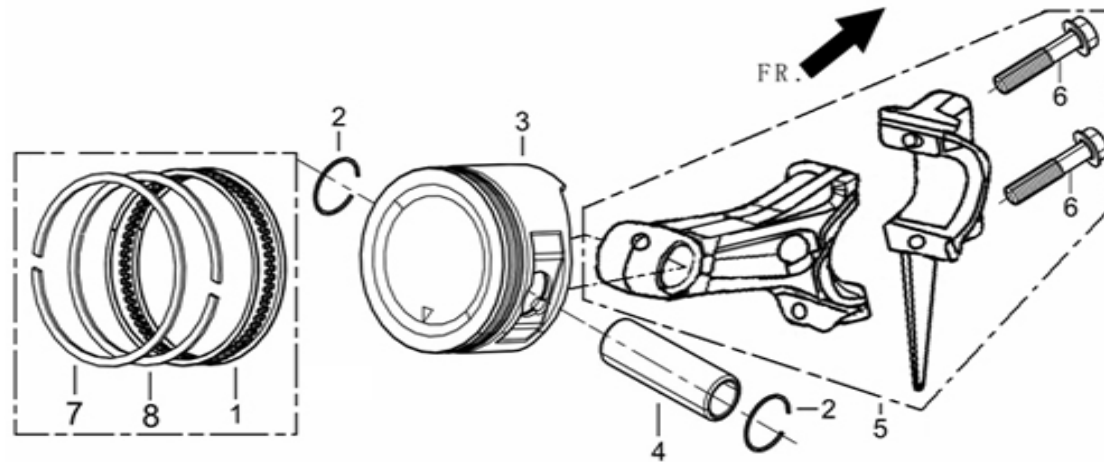
REF.NO.		DESCRIPTION	Q'TY	
E01-1	UG420-00022	COVER, CRANKCASE	1	
E01-2	UG420-00023	GASKET, CRANKCASE	1	
E01-3	UG420-00024	PLUG SUBASSEMBLY, ENGINE OIL	1	
E01-4	UG420-00025	DIPSTICK SUBASSEMBLY, OIL	1	
E01-6	U100-00021	PIN	2	
E01-7	UG420-00026	BOLT	7	
E01-8	UG420-00027	BEARING	1	
E01-9	UG420-00028	GEAR ASSY, GOVERNOR	1	
E01-18	UG420-00029	SEAL, OIL	1	
E01-19	UG420-00021	BEARING	1	

FIG.4 ROD,CRANKSHAFT CONNETING (E03)



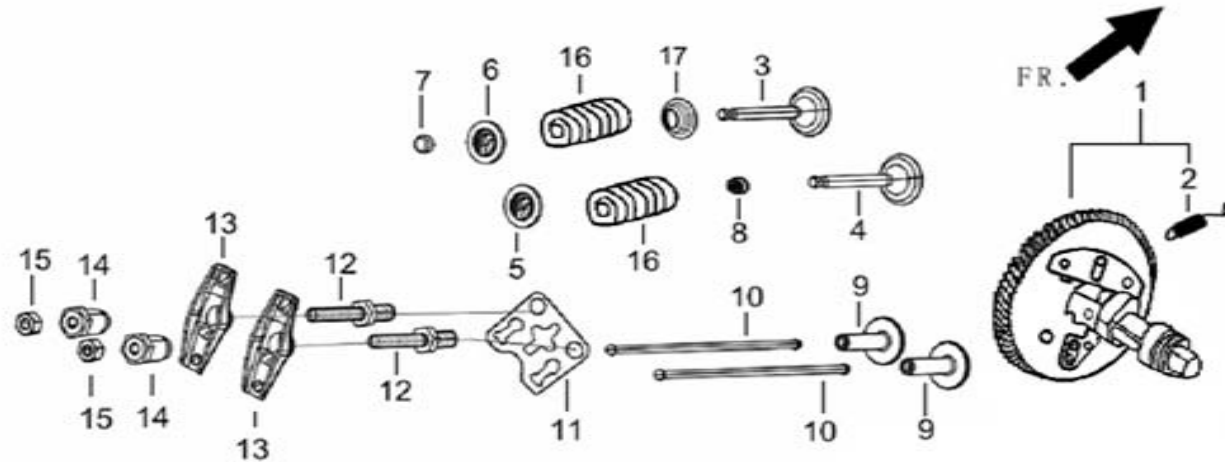
REF.NO.		DESCRIPTION	Q'TY	
E03-1	UG420-00030	CRANKSHAFT ASSY.	1	
E03-4	UG420-00031	SHAFT ASSY, BALANCING	1	

FIG.5 RING SET,OIL / ROD,CRANKSHAFT CONNETING (E03)



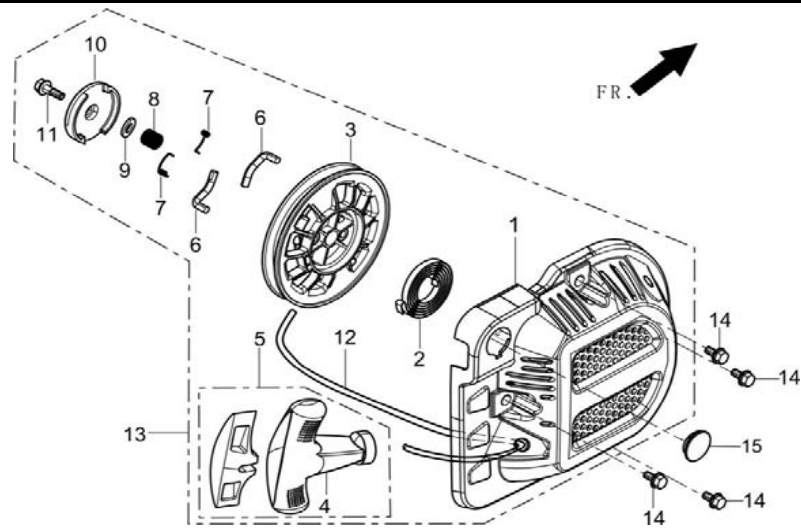
REF.NO.		DESCRIPTION	Q'TY	
E04-1	UG420-00032	RING SET, OIL	1	
E04-2	UG420-00033	CLIP, PISTON PIN	2	
E04-3	UG420-00034	PISTON	1	
E04-4	UG420-00035	PIN, PISTON	1	
E04-5	UG420-00036	ROD, CONNECTING	1	
E04-7	UG420-00037	RING, THE FIRST	1	
E04-8	UG420-00038	RING, THE SECOND	1	

FIG.6 TRAIN,VALVE / CAMSHAFT SUBASSEMBLY (E05)



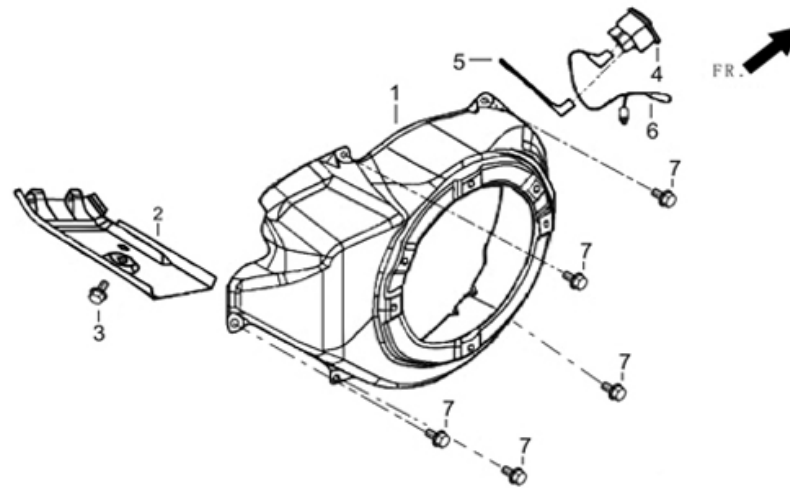
REF.NO.		DESCRIPTION	Q'TY	
E04-1	UG420-00039	CAMSHAFT ASSY.	1	
E04-3	UG420-00040	VALVE, EXHAUST	1	
E04-4	UG420-00041	VALVE, INTAKE	1	
E04-5	UG420-00042	SEAT, VALVE SPRING	1	
E04-6	UG420-00043	RETAINER, EXHAUST VALVE	1	
E04-7	UG420-00044	ROTATOR, VALVE	1	
E04-8	UG420-00045	GUIDE, SEAL	1	
E04-9	UG420-00046	TAPPET, VALVE	2	
E04-10	UG420-00047	LIFTER SUBASSEMBLY, VALVE	2	
E04-11	UG420-00048	PLATE SUBASSEMBLY, LIFTER STOPPER	1	
E04-12	U210-00048	BOLT, ROCKER SHAFT	2	
E04-13	UG420-00049	ROCKER, VALVE	2	
E04-14	U210-00050	NUT, VALVE ADJUSTING	2	
E04-15	U210-00051	NUT, VALVE LOCK	2	
E04-16	UG420-00050	SPRING, VALVE	2	
E04-17	UG420-00051	RETAINER, VALVE SPRING	1	

FIG.7 STARTER,RECOIL (E08)



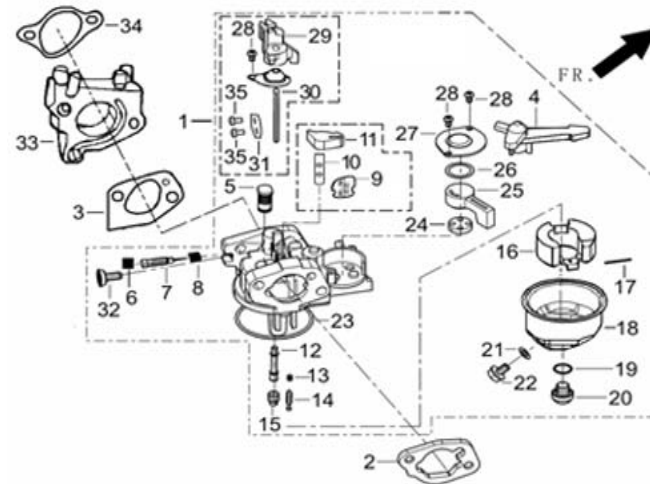
REF.NO.		DESCRIPTION	Q'TY	
E08-13	UG420-00052	STARTER ASSY, RECOIL	1	
E08-14	U210-00005	WASHER ASSEMBLY,BOLT AND FLAT	4	
E08-15	UG210-00015	CAP, RECOIL STARTER REEL END	1	

FIG.8 SHROUD / SHIELD,LOWER (E14)



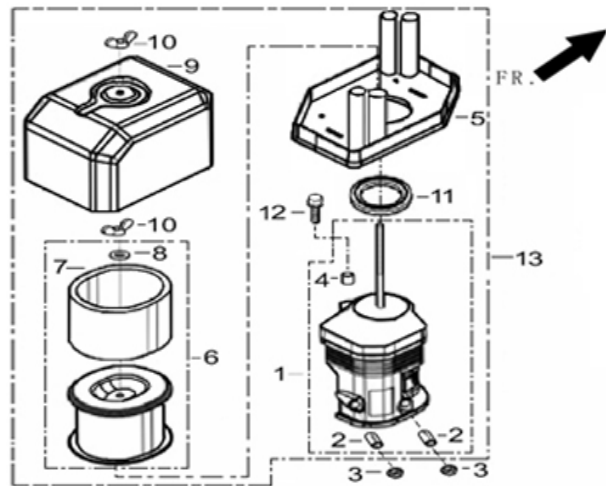
REF.NO.		DESCRIPTION	Q'TY	
E14-1	UG420-00053	SHROUD	1	
E14-2	UG420-00054	SHROUD, CYLINDER BODY	1	
E14-3	U210-00005	BOLT	1	
E14-4	UG210-00018	SWITCH SUBASSEMBLY, STOP ENGINE	1	
E14-5	UG420-00055	WIRE, STOP ENGINE SWITCH GROUNDING	1	
E14-6	UG420-00056	WIRE, STOP ENGINE	1	
E14-7	U210-00005	BOLT	5	

FIG.9 CARBURETOR ASSY. (E11)



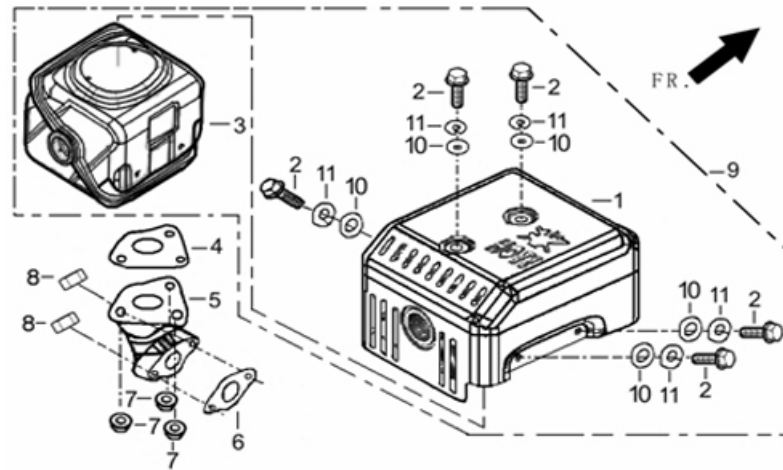
REF.NO.	DESCRIPTION		Q'TY
E11-1	UG420-00057	CARBURETOR ASSY.	1
E11-2	UG420-00058	GASKET, AIR CLEANER	1
E11-3	UG420-00059	GASKET, CARBURETOR	1
E11-33	UG420-00060	PLATE, CARBURETOR INSULATOR	1
E11-34	UG420-00061	GASKET, INLET	1

FIG.10 CLEANER, AIR (F02)



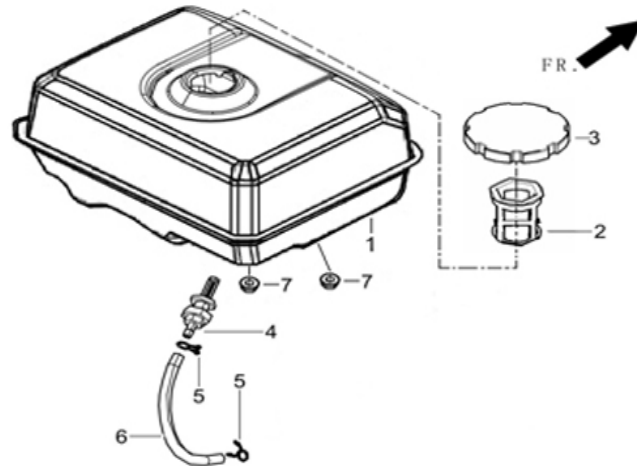
REF.NO.		DESCRIPTION	Q'TY	
E04-3	U100-00057	NUT	2	
E04-12	U100-00072	BOLT	1	
E04-13	UG420-00062	CLEANER, AIR	1	

FIG.11 MUFFLER ASSY. (F04)



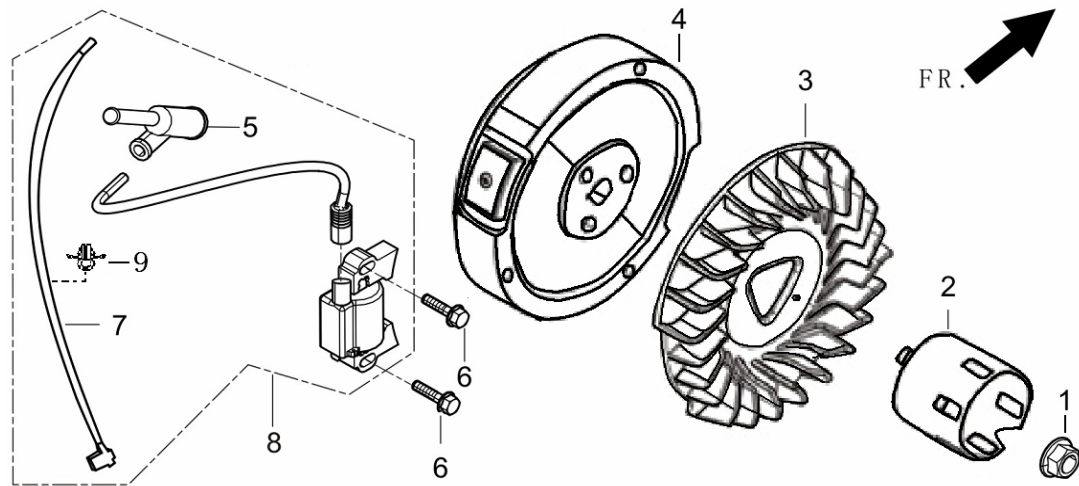
REF.NO.		DESCRIPTION	Q'TY	
F04-4	UG420-00063	GASKET, MUFFLER	1	
F04-5	UG420-00064	PIPE, EXHAUST	1	
F04-6	UG420-00065	GASKET, EXHAUST OUTLET	1	
F04-7	UG420-00066	NUT	3	
F04-8	UG420-00066	NUT	2	
F04-9	UG420-00068	MUFFLER ASSY.	1	

FIG.12 TANK ASSY, FUEL (F01)



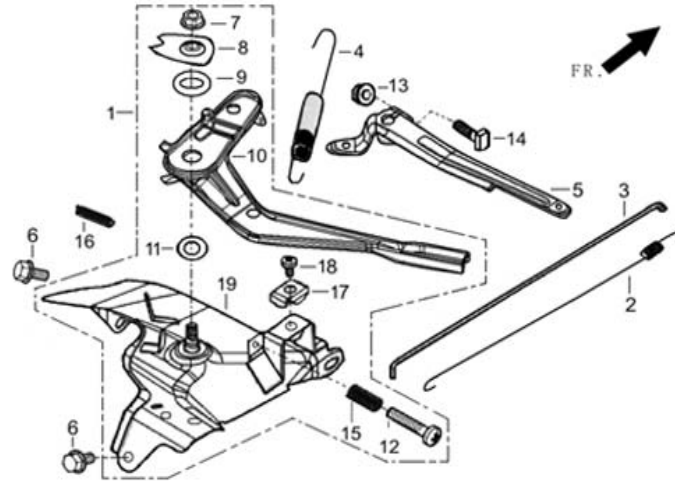
REF.NO.		DESCRIPTION	Q'TY	
F01-1	UG420-00069	TANK, FUEL	1	
F01-2	UG210-00025	STRAINER, FUEL	1	
F01-3	UG210-00026	COVER, FUEL TANK	1	
F01-4	U210-00077	OUTLET SUBASSEMBLY, FUEL TANK OIL	1	
F01-5	U210-00078	COLLAR	2	
F01-6	UG420-00070	TUBE, FUEL	1	
F01-7	UG420-00066	NUT	2	

FIG.13 FLYWHEEL / IMPELLER / STARTER PULLEY / IGNITION COIL (E15)



REF.NO.		DESCRIPTION	Q'TY	
E15-1	UG420-00071	NUT, FLYWHEEL	1	
E15-2	UG420-00072	PULLEY,STARTER	1	
E15-3	UG420-00073	IMPELLER	1	
E15-4	UG420-00074	FLYWHEEL SUBASSEMBLY	1	
E15-6	UG420-00075	BOLT	2	
E15-8	UG420-00076	COIL, IGNITION	1	

FIG.14 CONTROL ASSY, THROTTLE (E13)



REF.NO.		DESCRIPTION	Q'TY	
E13-1	UG420-00077	CONTROL ASSY, THROTTLE	1	
E13-2	UG420-00078	SPRING, THROTTLE VALVE RETURNING	1	
E13-3	UG420-00079	ROD, GOVERNEOR	1	
E13-4	UG420-00080	SPRING, GOVERNOR	1	
E13-5	UG420-00081	SUPPORT SUBASSEMBLY, GOVERNOR	1	
E13-6	U210-00005	BOLT	2	
E13-13	U100-00057	NUT	1	
E13-14	U210-00094	BOLT, GOVERNOR SUPPORT	1	