

# CAIMAN

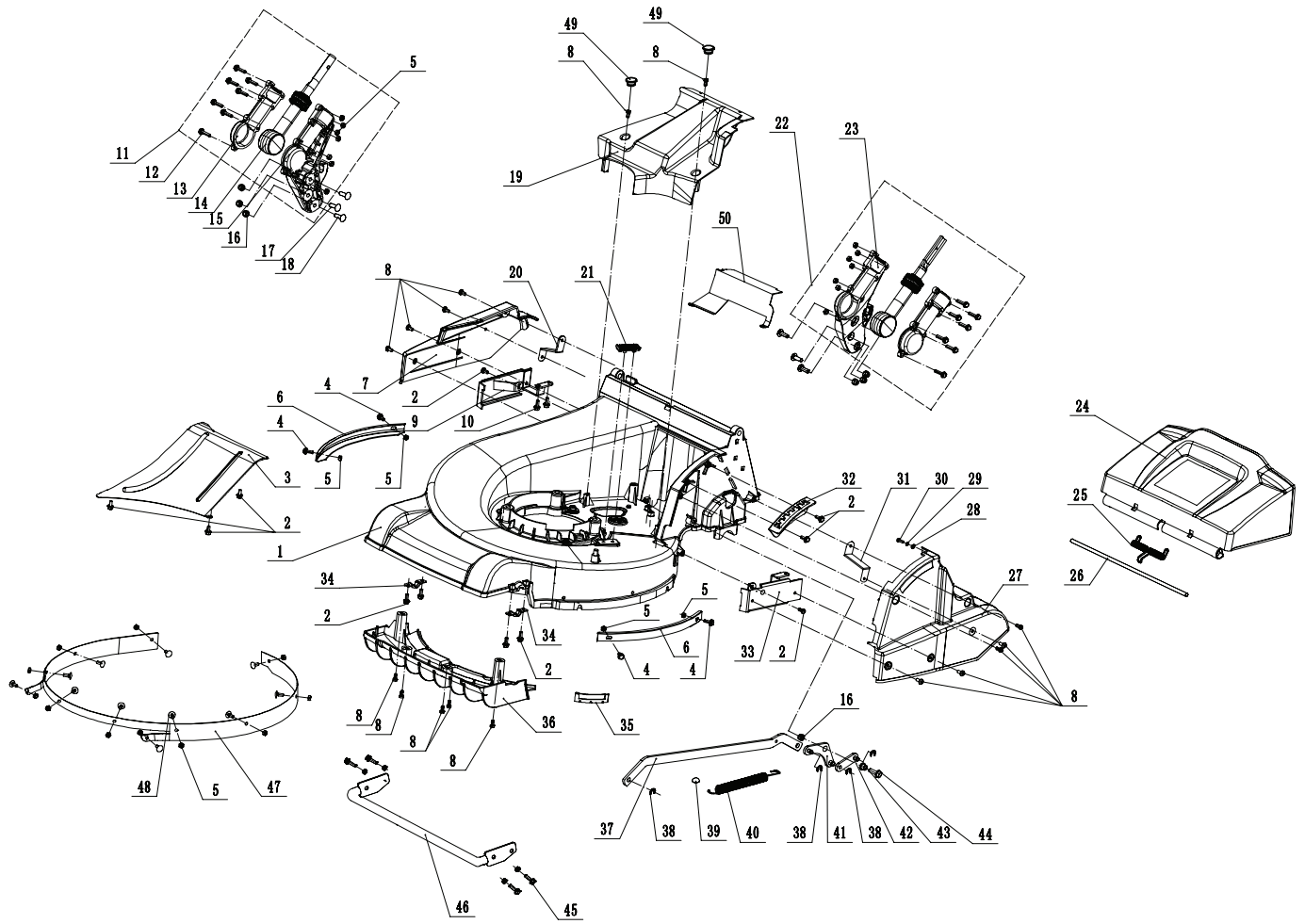
---

Газонокосилка

**IXO 58KVR-AL BBC**

# CAIMAN

## Main body



# CAIMAN

## Main body

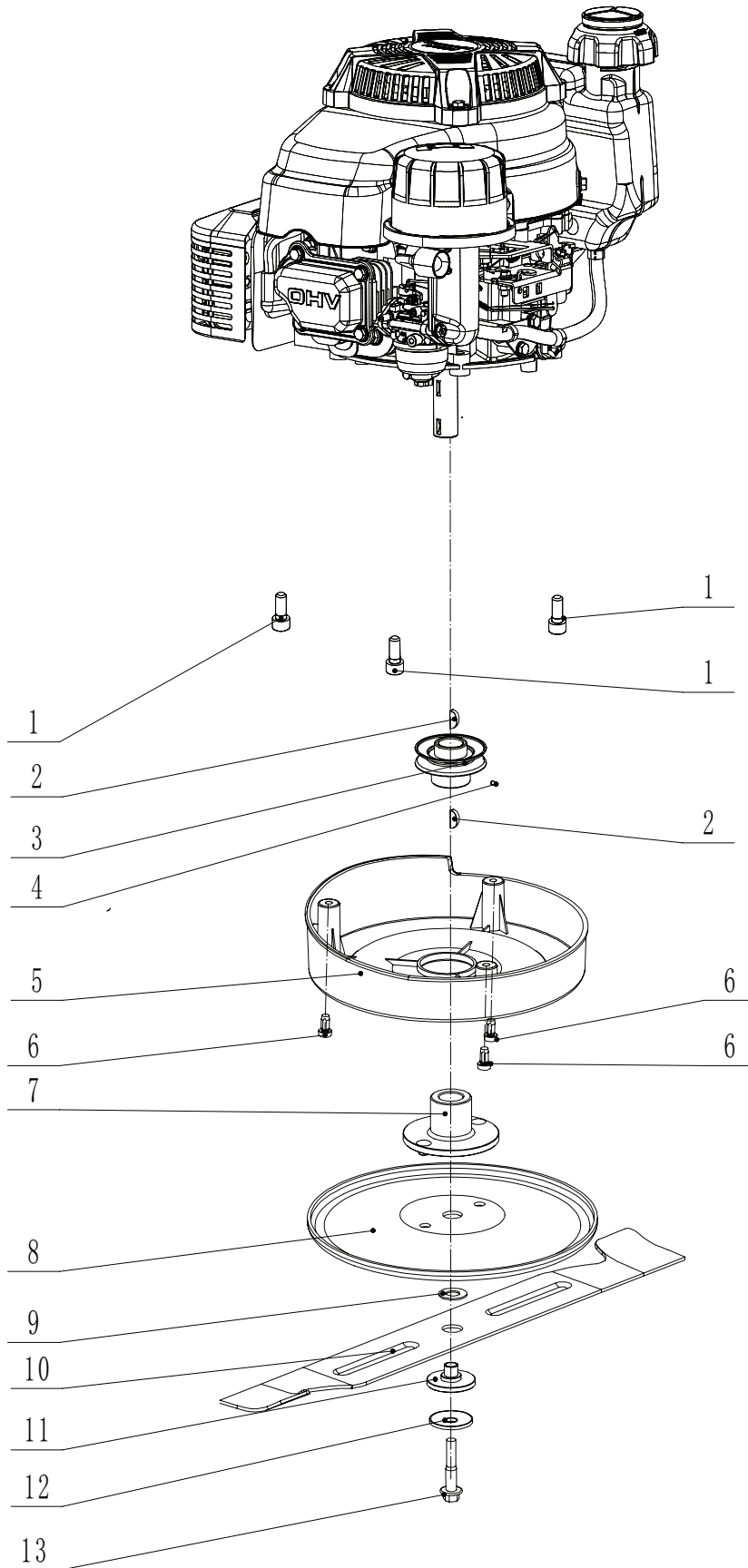
N°	Description	Part Number	Qty (UOM)
1	Deck Shell - 48cm	U058-00001	1
2	Bolt - M6x12	U058-00002	11
3	Lower Deflector	U058-00003	1
4	Bolt - M6x10	UR200-00055	4
5	Lock Nut - M6	U455-00013	33
6	Protection Plate	U058-00004	2
7	Right Side Shield	U058-00005	1
8	Bolt - M6x12	U536-00334	16
9	Right Side Shield Support Plate	U058-00007	1
10	Bolt - M6x20	U056-00001	2
11	AVS Bracket Assy - R/H	U058-00009	1
12	Bolt M6x25	U058-00010	14
13	AVS Cover	U058-00011	2
14	AVS Block	U058-00012	2
15	AVS Bracket - R/H	U058-00013	1
16	Lock Nut - M8	U455-00007	6
17	Bolt - M8x25	U058-00014	4
18	Bolt - M8x20	U506-00064	2
19	Belt Shield	U058-00015	1
20	Right Side Shield Bracket	U058-00016	1
21	Plate	U058-00017	1
22	AVS Bracket Assy - L/H	U058-00018	1
23	AVS Bracket - L/H	U058-00019	1
24	Flap - Grass Bag	U058-00020	1
25	Rear Cover Spring	U058-00021	1
26	Rear Cover Pivot	U058-00022	1
27	Left Side Shield	U058-00023	1
28	Spring Washer - M5	U506-00028	1
29	Plain Washer - M5	U506-00049	1
30	Screw - M5x16	UR810-00070	1
31	Left Side Shield Bracket	U058-00024	1
32	Graduator - Height Adjuster	U058-00025	1
33	Left Side Shield Support Plate	U058-00026	1

# **CAIMAN**

<b>N°</b>	<b>Description</b>	<b>Part Number</b>	<b>Qty (UOM)</b>
34	Bearing Holder	U058-00027	2
35	Plug	U058-00028	1
36	Grass Guide	U058-00029	1
37	Rod - Height Adjuster	U056-00002	1
38	E-Clip - 8mm	U058-00031	4
39	Domed Grip Washer	U058-00032	1
40	Spring - Height Adjuster	U056-00003	1
41	Arm - Inner	U058-00034	1
42	Arm - Outer	U058-00035	1
43	Spacer	U056-00004	1
44	Flange Bolt - M8x55	U058-00037	1
45	Bolt - M6x16	U537-00094	4
46	Bumper	U058-00038	1
47	Deck Liner	U056-00005	1
48	Screw - M6x14	U536-00339	12
49	Plug	U056-00006	2
50	Protective plate	U056-00007	1

# CAIMAN

## Blade system



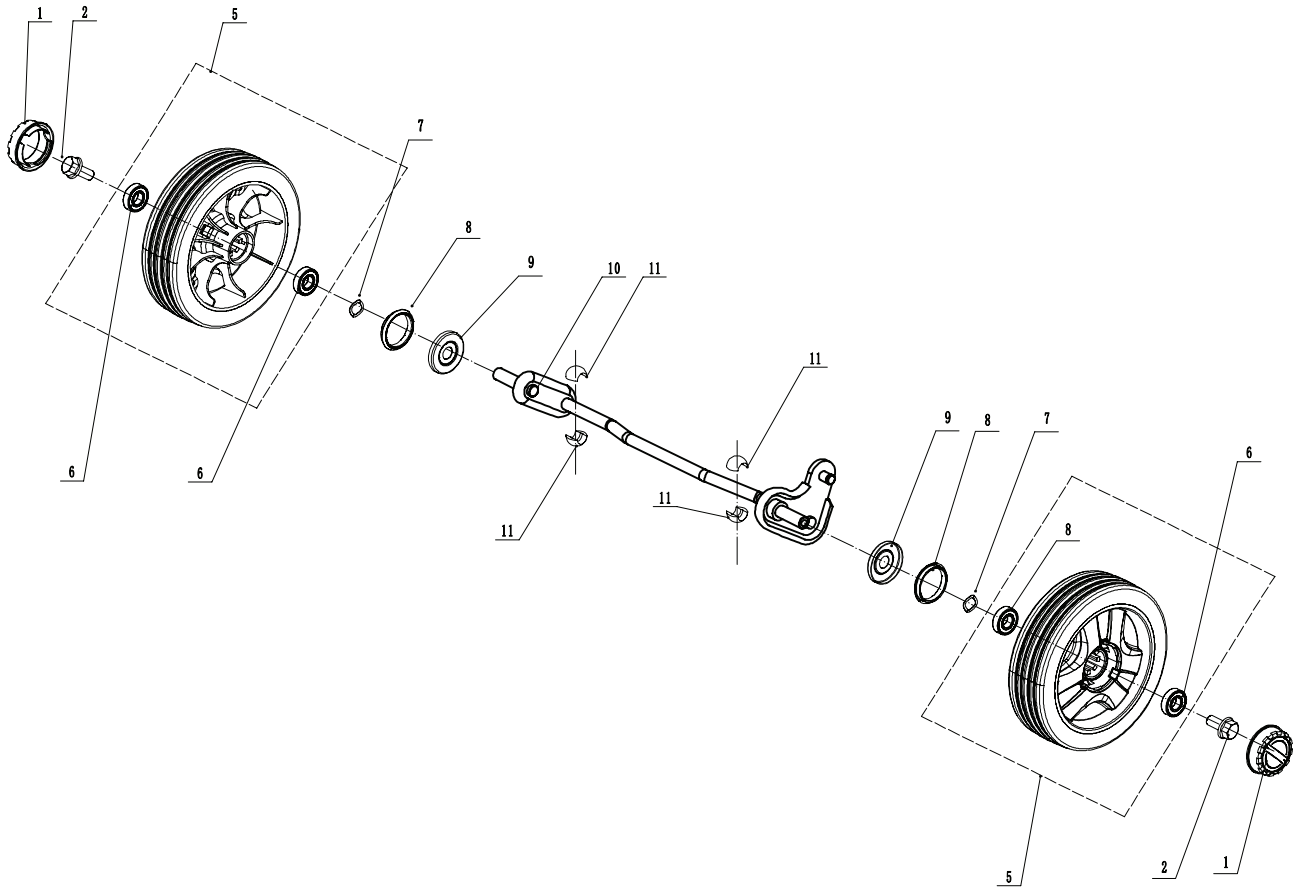
# **CAIMAN**

## **Blade system**

<b>N°</b>	<b>Description</b>	<b>Part Number</b>	<b>Qty (UOM)</b>
1	Cap Head Screw	U058-00046	3
2	Key	U455-00039	2
3	Engine Pulley	U058-00047	1
4	Grub Screw - M6x8	UT160-00009	1
5	Shield	U056-00008	1
6	Screw - M6x15	U058-00049	3
7	Blade Boss	U058-00050	1
8	C.P.S. Disc	U058-00051	1
9	Spacer	U058-00052	1
10	Blade - Standard	U056-00009	1
11	Spacer	U058-00054	1
12	Dome Washer	U455-00049	1
13	Blade Bolt - 3/8x24x40	U537-00026	1

# CAIMAN

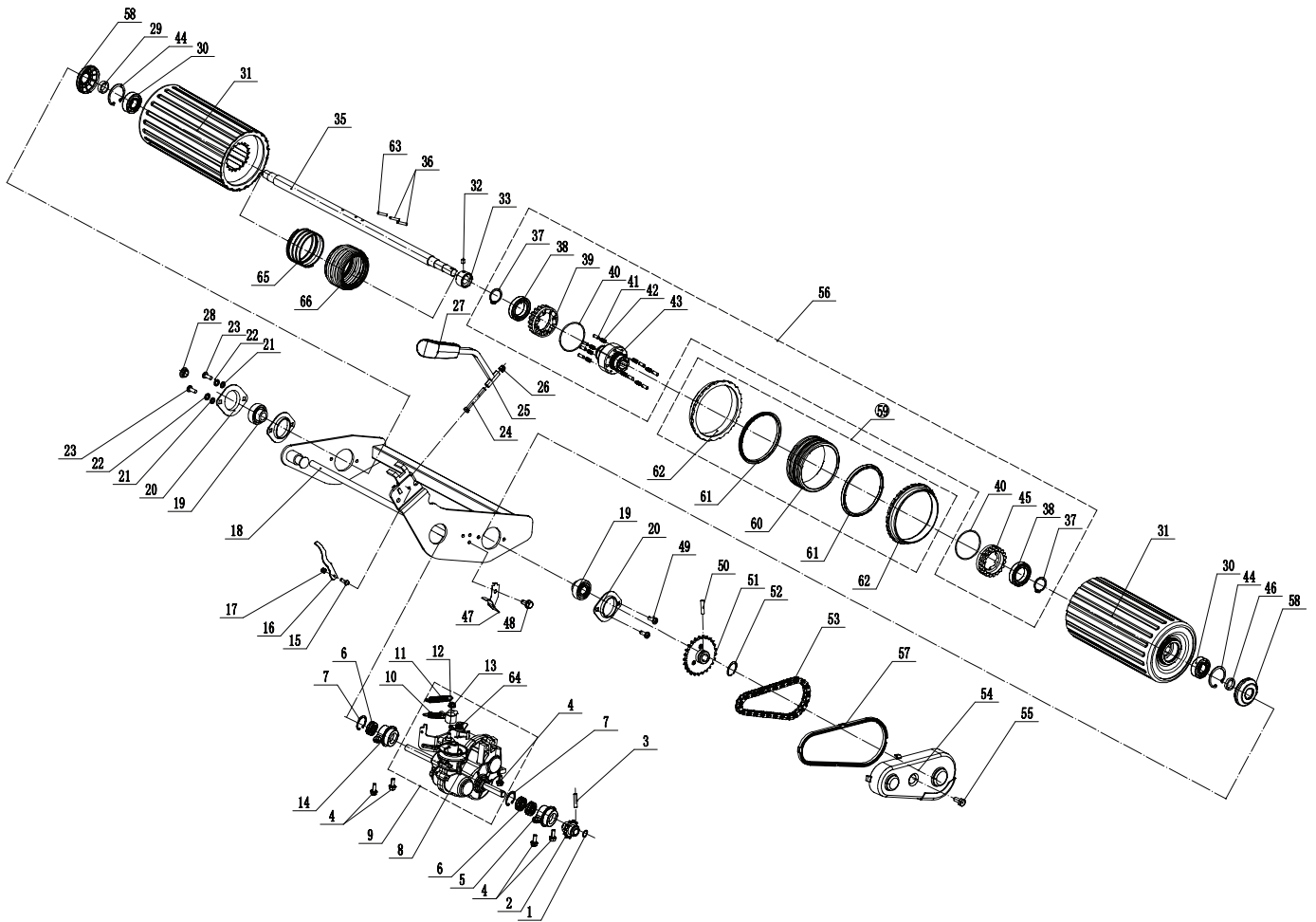
## Front axle



N°	Description	Part Number	Qty (UOM)
1	Wheel Cap	U455-00134	2
2	Bolt - M8x15	U455-00136	2
5	Wheel Assembly	U056-00010	2
6	Bearing	U456-00006	4
7	Wave spring	U056-00011	2
8	Polyuerthane Ring	U056-00012	2
9	Sealing Cover	U056-00013	2
10	Front Axle	U058-00060	1
11	Bearing Half - Axle	U455-00059	4

# CAIMAN

## Roller Drive





# CAIMAN

## Roller Drive

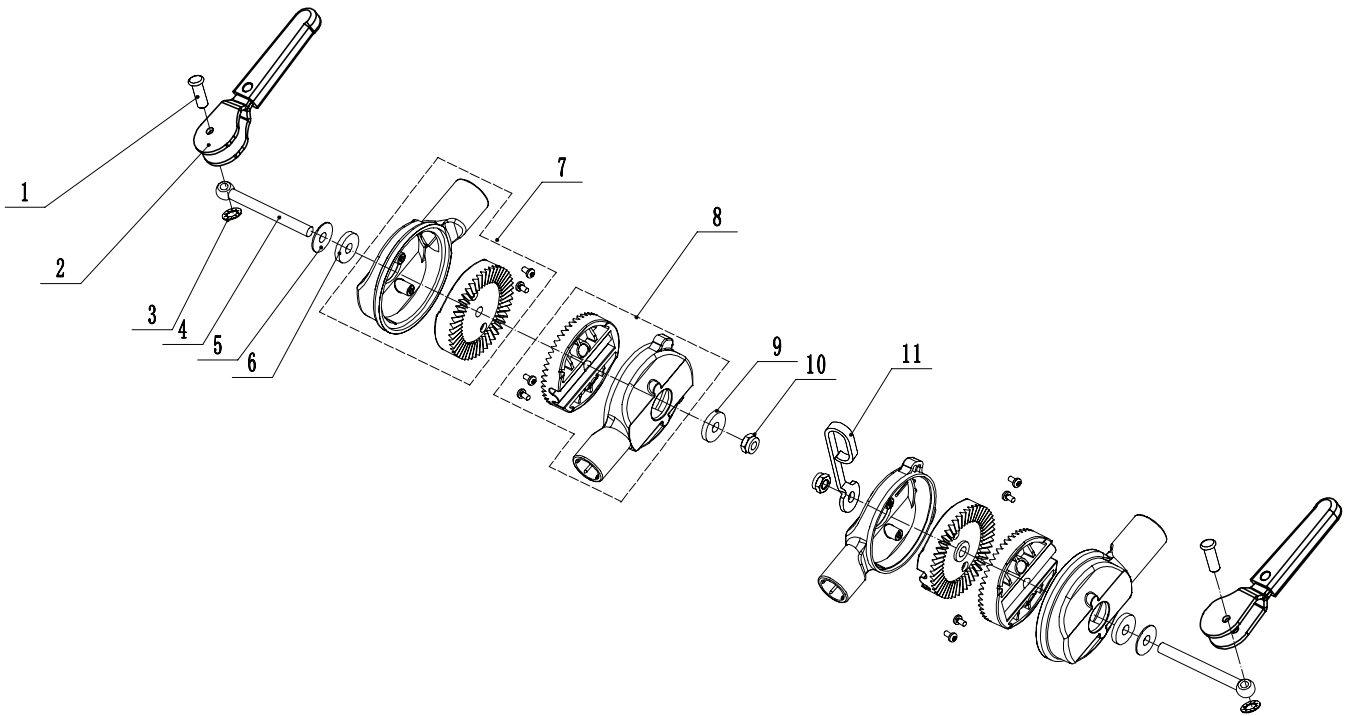
N°	Description	Part Number	Qty (UOM)
1	Circlip	U058-00065	1
2	Sprocket	U056-00014	1
3	Spring Pin	U058-00067	1
4	Bolt - M6x15	U058-00136	5
5	Bearing Bracket - L/H	U058-00069	1
6	Bearing	U456-00006	3
7	Internal Circlip - 28mm	U537-00109	2
8	Pulley - Transmission	U456-00065	1
9	3-speed Transmission	U056-00015	1
10	Clutch return tension spring	U058-00071	1
11	Gear shift return tension spring	U058-00072	1
12	Clutch shift arm 1	U536-00355	1
13	Screw - M6	U455-00020	2
14	Bearing Bracket - R/H	U058-00074	1
15	Bolt - M5x16	UG806-00023	1
16	Spring	U058-00075	1
17	Lock Nut - M5	U455-00006	1
18	Roller Frame	U058-00076	1
19	Bearing - UB202	UV160-00080	2
20	Bearing Bracket	UV160-00072	3
21	Plain Washer - M6	U455-00054	2
22	Spring Washer - M6	UG700-00056	2
23	Bolt - M6x12	UR760-00102	2
24	Bolt - M6x55	UV160-00039	1
25	Lever - Height Adjuster	U058-00077	1
26	Lock Nut - M6	U455-00013	1
27	Handle - Height Adjuster	U058-00078	1
28	Plug - Bearing	U058-00079	1
29	Spacer	U056-00016	1
30	Bearing	U056-00017	2
31	Roller Half - 56cm	U056-00018	2
32	Grub Screw - M6x8	UT160-00009	1
33	Collar	U056-00019	1
35	Roller Shaft -56cm	U056-00020	1

# **CAIMAN**

<b>N°</b>	<b>Description</b>	<b>Part Number</b>	<b>Qty (UOM)</b>
36	Pin	U056-00021	2
37	External Circlip - 30mm	UG700-00048	2
38	Bearing - 61906-2RS	U056-00022	2
39	right disc	U056-00023	1
40	O-Ring - 53x2	U058-00086	2
41	Pin	U058-00087	8
42	Spring	U058-00088	8
43	pin bracket	U056-00024	1
44	Circlip - $\phi$ 40	UZT85-00041	2
45	left disc	U056-00025	1
46	Spacer	U056-00026	1
47	Spring - Chain Tension	U056-00027	1
48	Flange Bolt - M6x10	UR200-00055	1
49	Bolt - M6x12	U536-00334	2
50	Pin	UV160-00076	1
51	Sprocket	U058-00092	1
52	C-Clip	U058-00093	1
53	Chain	U567-00072	1
54	Cover - Chain	U058-00095	1
55	Flange Bolt - M6x30	UR200-00065	1
56	Ratchet Assy	U056-00028	1
57	Sealing strip	U056-00029	1
58	Dust-proof ring	U056-00030	2
59	Sealing kit	U056-00031	1
60	Roller sealing base	U056-00032	1
61	Sealing ring	U056-00033	2
62	Sealing cover	U056-00034	2
63	Pin	U056-00035	1
64	Gear shift fork arm 1	U536-00356	1
65	Dust cover spring	U056-00036	1
66	Dust cover	U056-00037	1

# CAIMAN

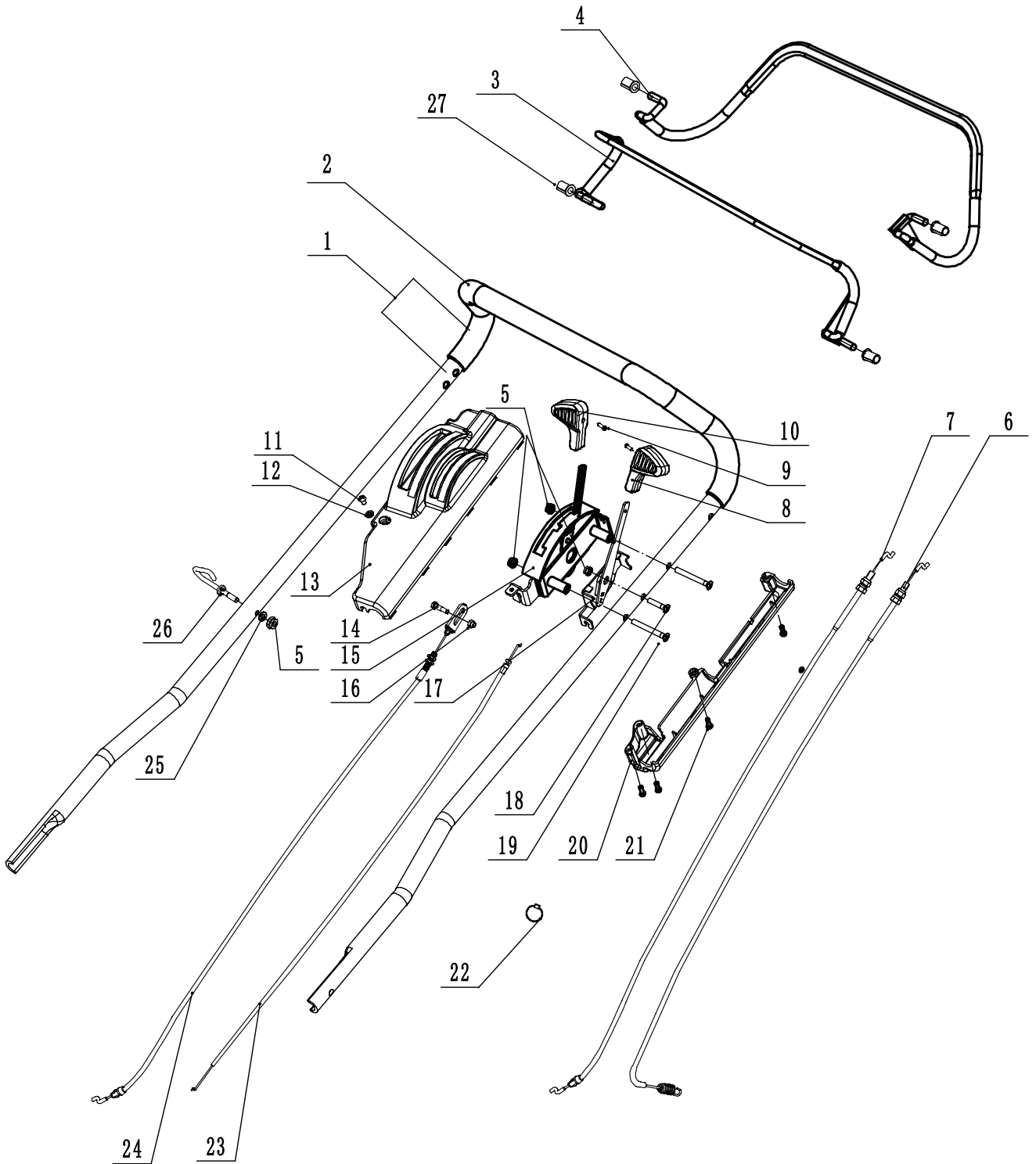
## Quick Release



N°	Description	Part Number	Qty (UOM)
1	Axis Pin - 8x25	U455-00120	2
2	Lever	U455-00102	2
3	Grip Washer	U455-00100	2
4	Bolt	U058-00102	2
5	Spacer	U455-00104	2
6	Spacer	U455-00139	2
7	Adjustment Assy - Outer	U058-00103	1
8	Adjustment Assy - Inner	U058-00104	1
9	Big flat washer - M8	U506-00058	1
10	Lock Nut-M8	UAE55-00062	2
11	Cable Guide	U058-00105	1

# CAIMAN

## Handle And Controls



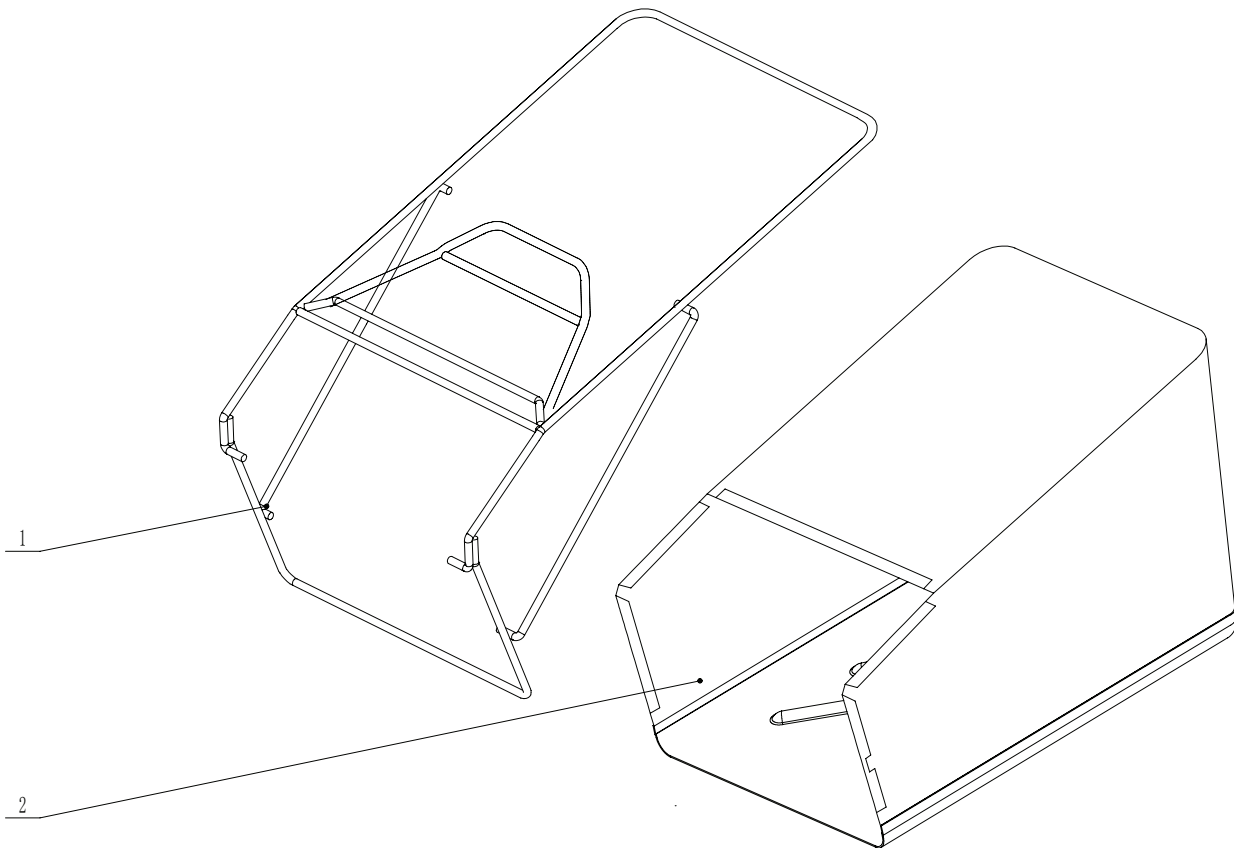
# CAIMAN

## Handle And Controls

N°	Description	Part Number	Qty (UOM)
1	Upper Handle Assembly	U058-00115	1
2	Grip - handle	U456-00011	1
3	Clutch Lever	U506-00031	1
4	OPC Lever	U506-00032	1
5	Lock Nut - M6	U455-00013	4
6	Clutch Cable	U058-00116	1
7	OPC Cable	U058-00117	1
8	Grip - Throttle Lever	U506-00036	1
9	Screw - ST2.9x13	U506-00035	2
10	Grip - Speed Lever	U506-00034	1
11	Cross Head Bolt - M5x8	U455-00069	1
12	Washer - M5	U506-00049	1
13	Control Cover - Upper	U455-00137	1
14	Bolt	U506-00045	1
15	Frame - Speed Control	U537-00041	1
16	Lock Nut - M5	U455-00006	1
17	Frame - Throttle Control	U506-00043	1
18	Screw - M6x50	U506-00038	1
19	Screw - M6x60	U506-00037	2
20	Control Cover - Lower	U506-00039	1
21	Screw	U506-00042	4
22	Cable Tie - 8x200mm	U456-00012	3
23	Throttle Cable	U058-00118	1
24	Speed Cable	U456-00090	1
25	Washer - M6	U455-00054	5
26	Hook - Starter Rope	U506-00048	1
27	Handle wear cover	U501-00041	4

# CAIMAN

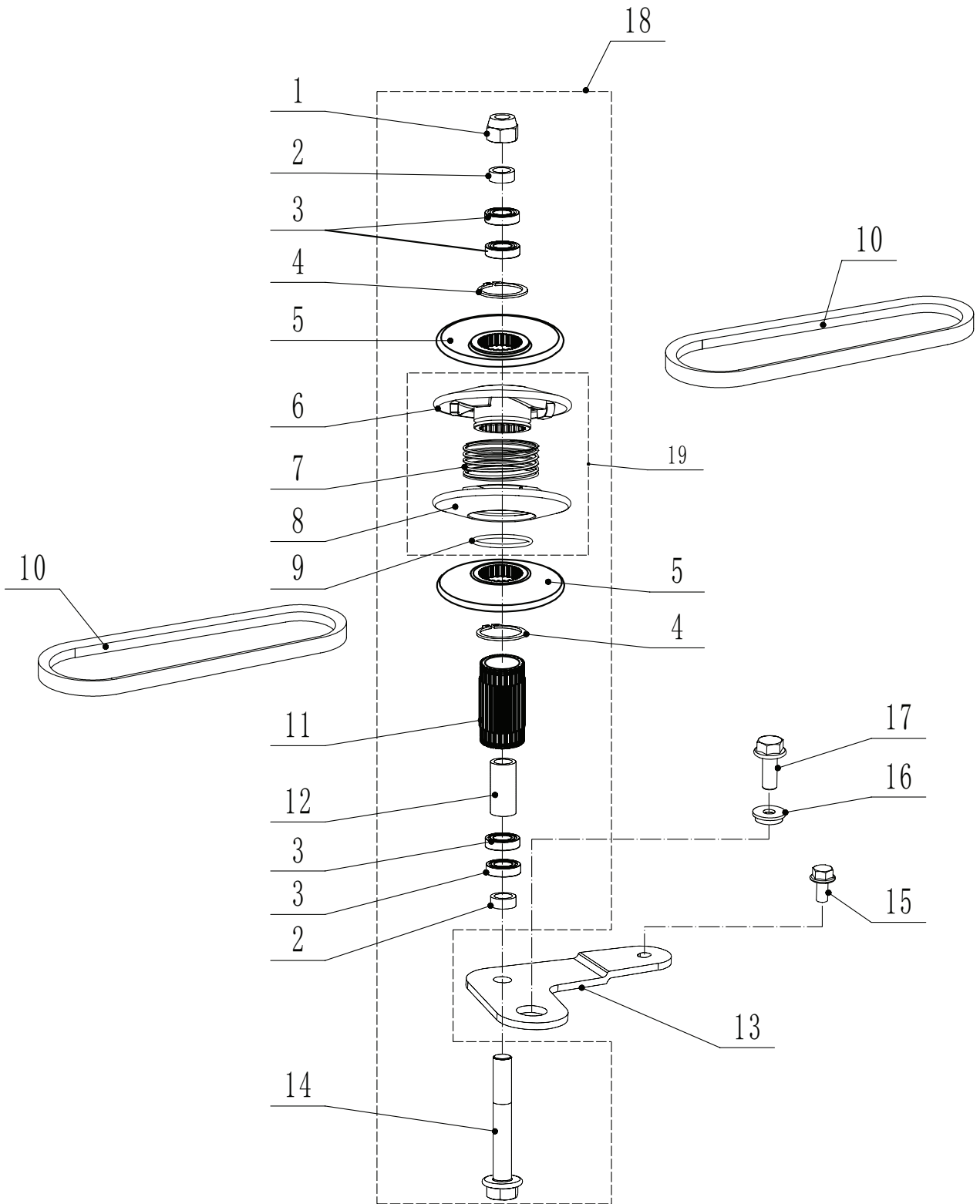
## Grasscatcher



N°	Description	Part Number	Qty (UOM)
1	Frame	U455-00108	1
2	Grass Bag	U056-00038	1

# CAIMAN

## Tensional part



# **CAIMAN**

## **Tensional part**

<b>N°</b>	<b>Description</b>	<b>Part Number</b>	<b>Qty (UOM)</b>
1	Lock Nut - M10	U536-00083	1
2	Spacer	U058-00126	2
3	Bearing - 61800/2RS	U058-00127	4
4	External Circlip - 24mm	U506-00063	2
5	Pulley Half - Fixed	U058-00128	2
6	Pulley Half - Movable	U056-00039	1
7	Tension Spring	U567-00082	1
8	Pulley Half - Movable	U056-00040	1
9	Check ring	U567-00080	1
10	Belt	U056-00041	2
11	Sleeve - Splined	U058-00132	1
12	Spacer	U058-00133	1
13	Bracket	U058-00134	1
14	Bolt - M10x70	U058-00135	1
15	Bolt - M6x15	U058-00136	1
16	Bush	U058-00137	1
17	Bolt - M8x20	U058-00138	1
18	Belt Tensioner (for service)	U056-00042	1
19	Intermediate belt pulley assembly	U056-00043	1