



Illustrated Parts List

Model Series

122300

TYPE NUMBERS
0100 through 6136.

TABLE OF CONTENTS

Air Cleaner	7
Blower Housing	8
Camshaft	2
Carburetor	4
Controls	6
Crankcase Cover	2
Crankshaft	2
Cylinder	2
Cylinder Head	3
Exhaust System	7
Flywheel	8
Fuel Supply	5
Governor Spring	6
Gear Reduction	9
Ignition	6
Kits/Gaskets - Carburetor	5
Kits/Gaskets - Engine	2
Kits/Gaskets - Valve	3
Lubrication	2
Piston Group	2
Rewind Starter	8



PRINTED IN U.S.A.

COPYRIGHT by BRIGGS & STRATTON CORPORATION
All rights reserved. No part of this material may be reproduced or transmitted, in any form or by any means, electronic or mechanical, including photocopying, recording or by any information storage and retrieval system, without permission in writing from Briggs & Stratton Corporation.

1319 WARNING LABEL

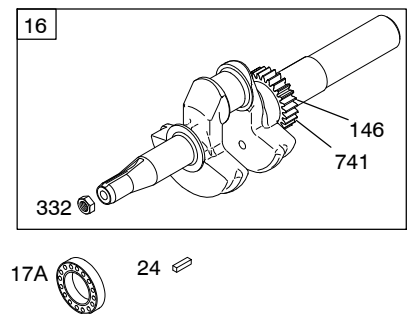
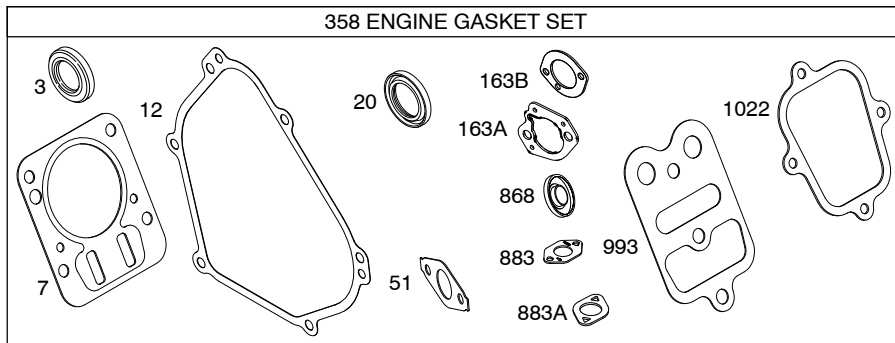
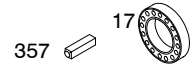
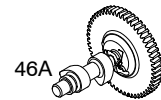
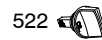
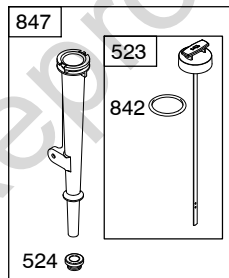
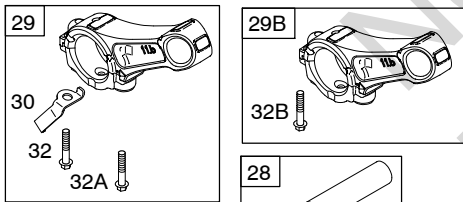
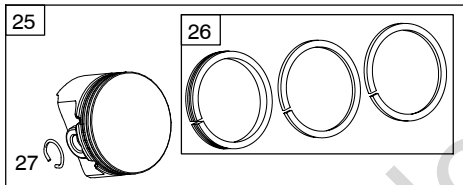
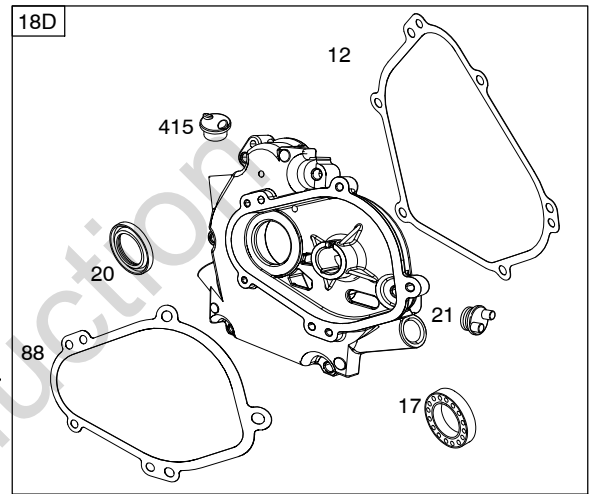
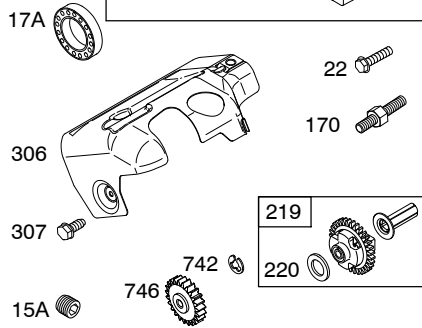
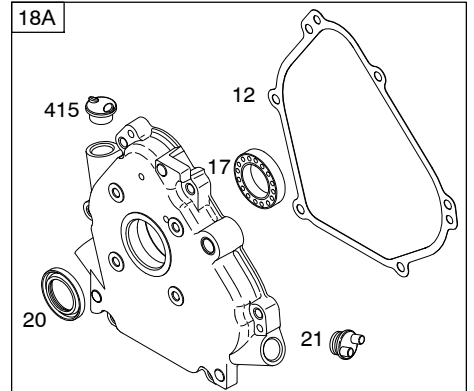
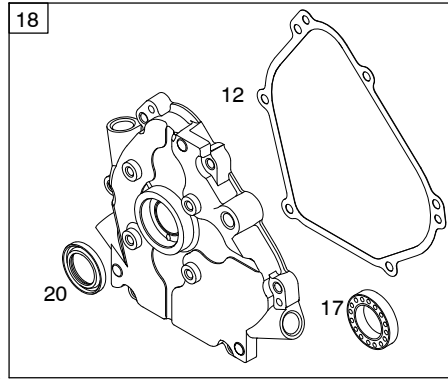
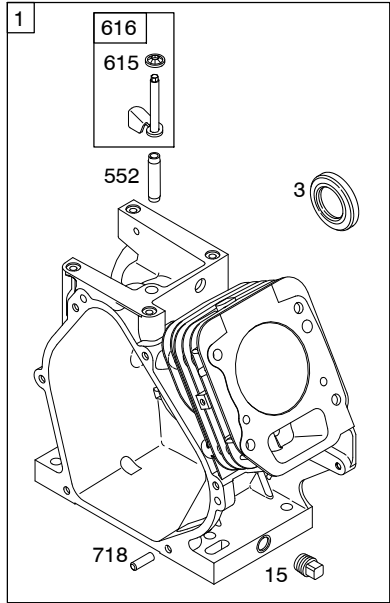


REQUIRED when replacing parts with warning labels affixed.

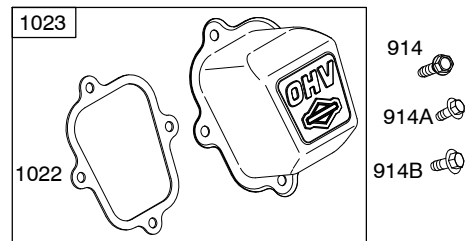
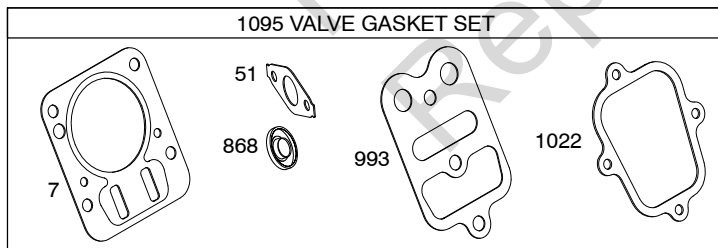
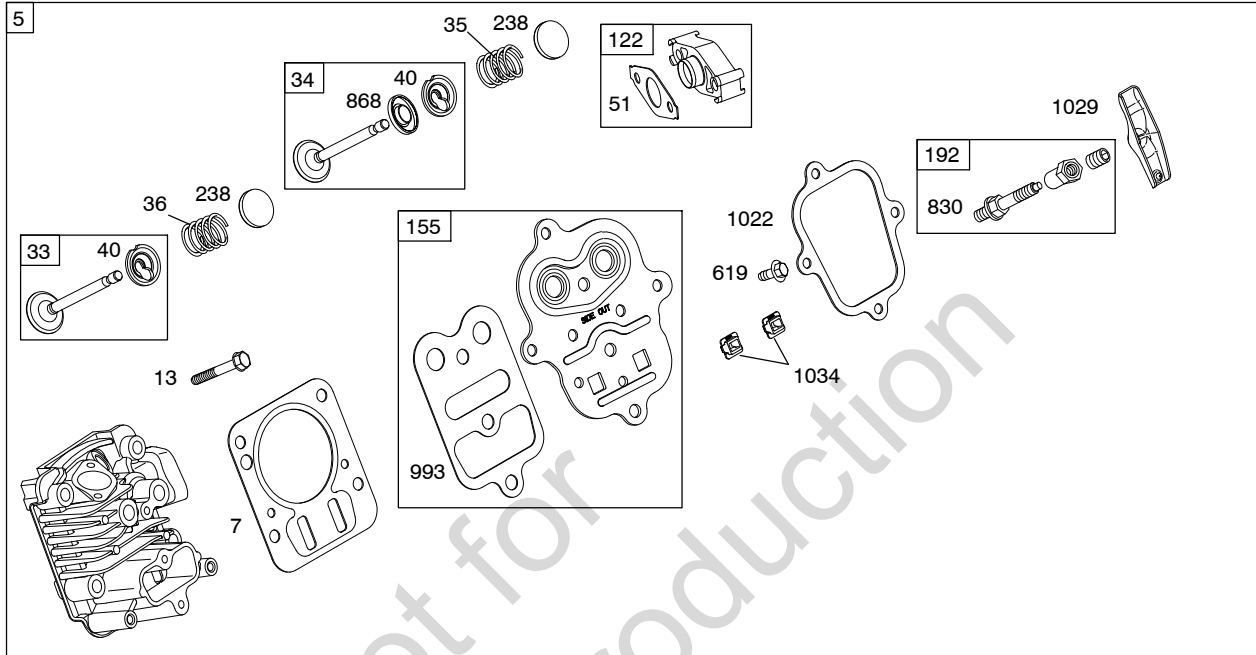
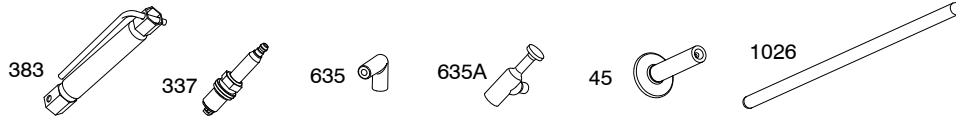
1058 OPERATOR'S MANUAL



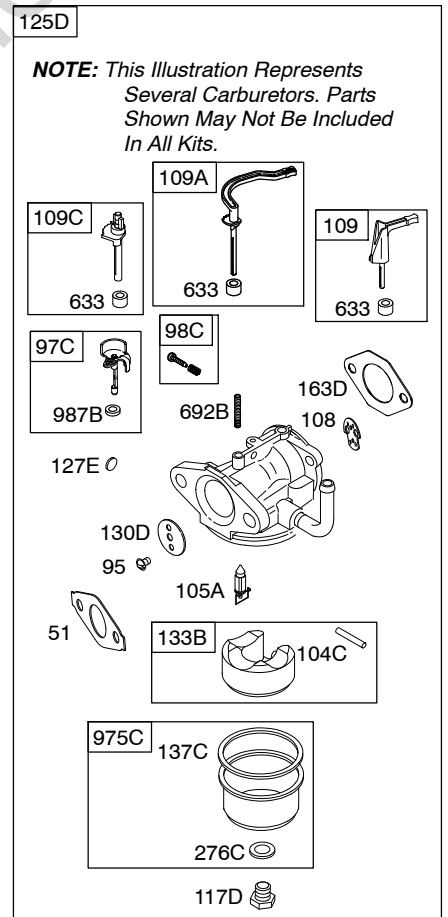
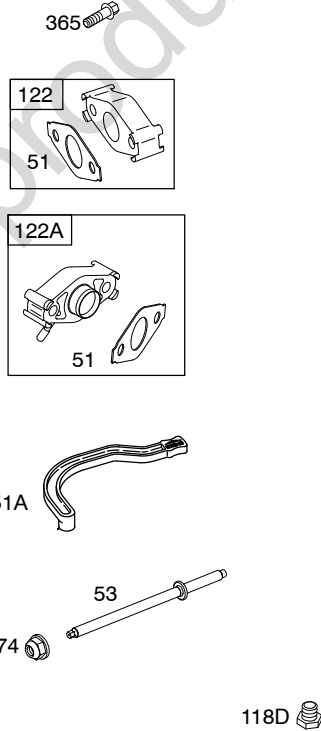
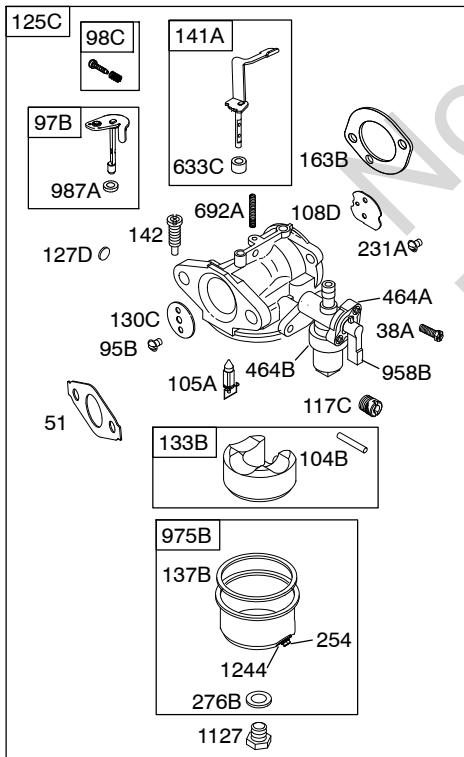
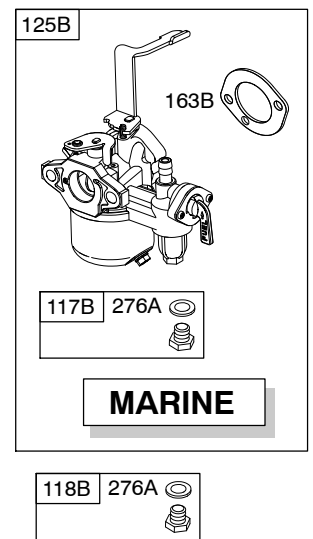
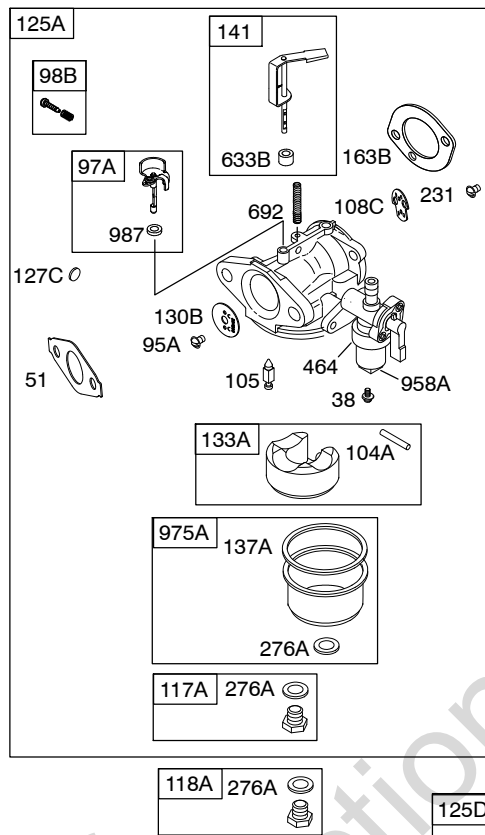
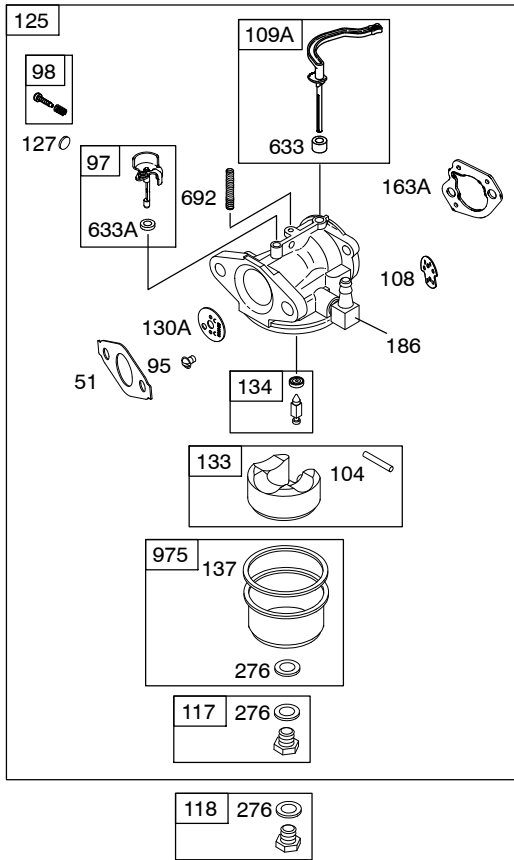
1330 REPAIR MANUAL



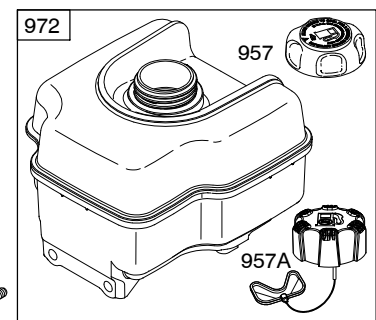
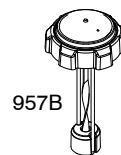
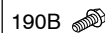
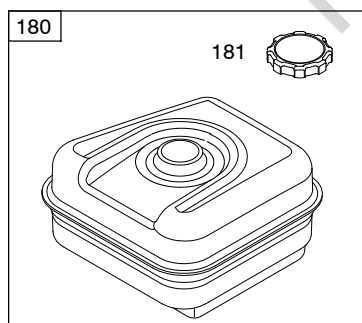
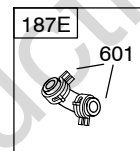
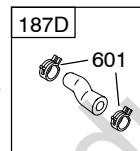
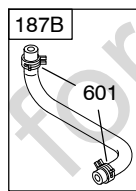
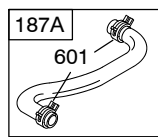
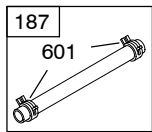
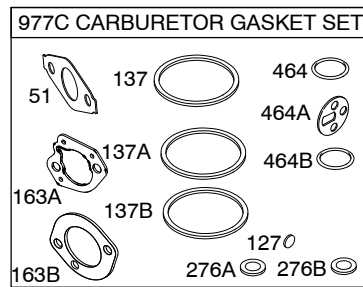
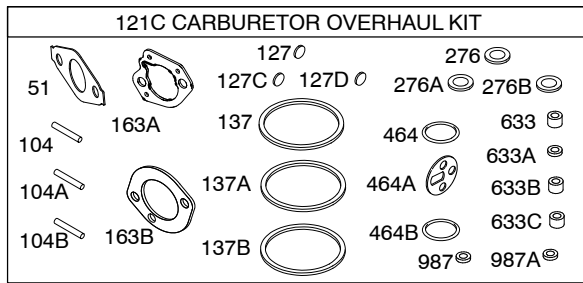
Illustrations cover a range of engines. Parts shown without corresponding text may not be used on your specific engine.
3378-2 Assemblies include all parts shown in frames. **03/01/2012**



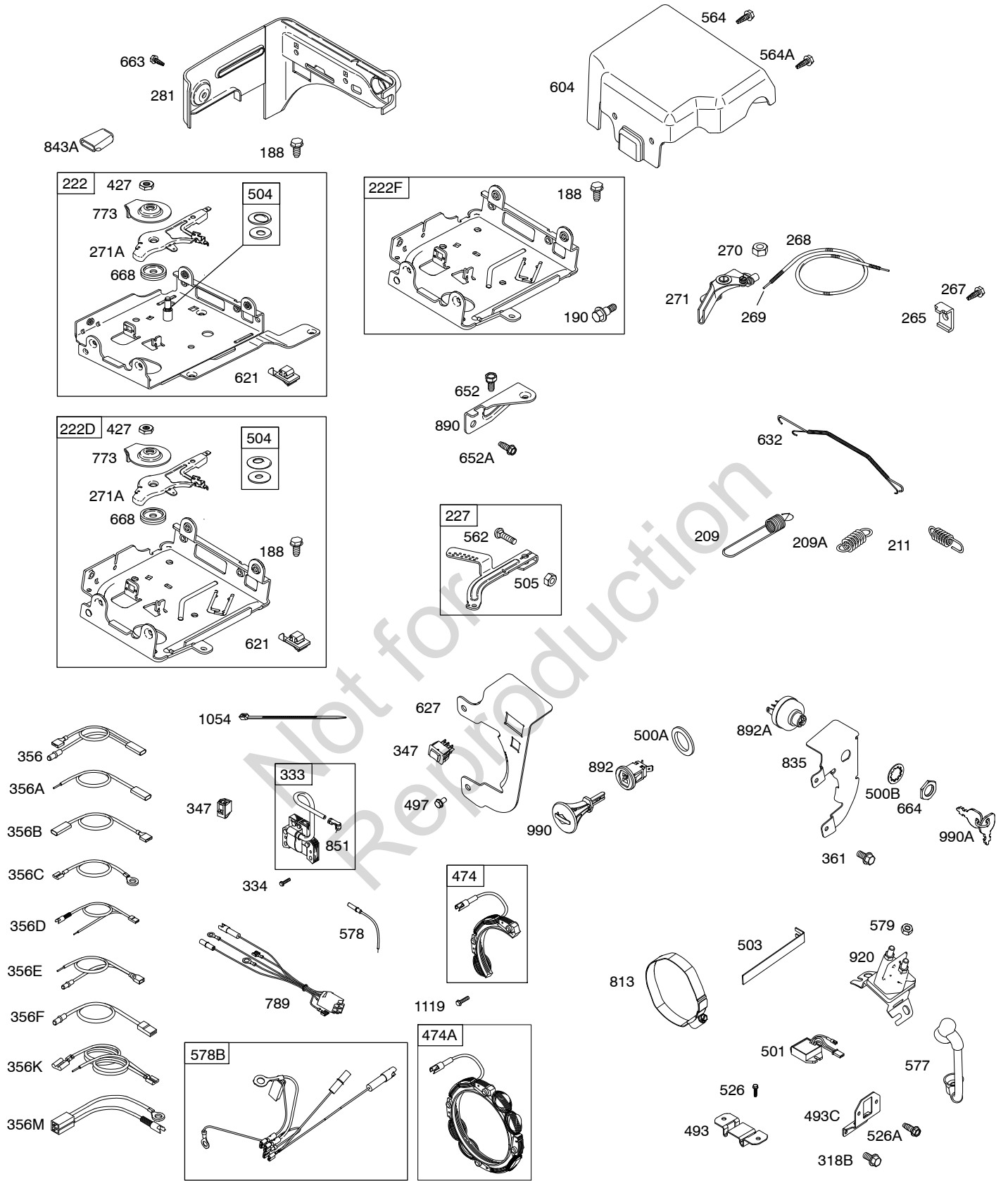
122300



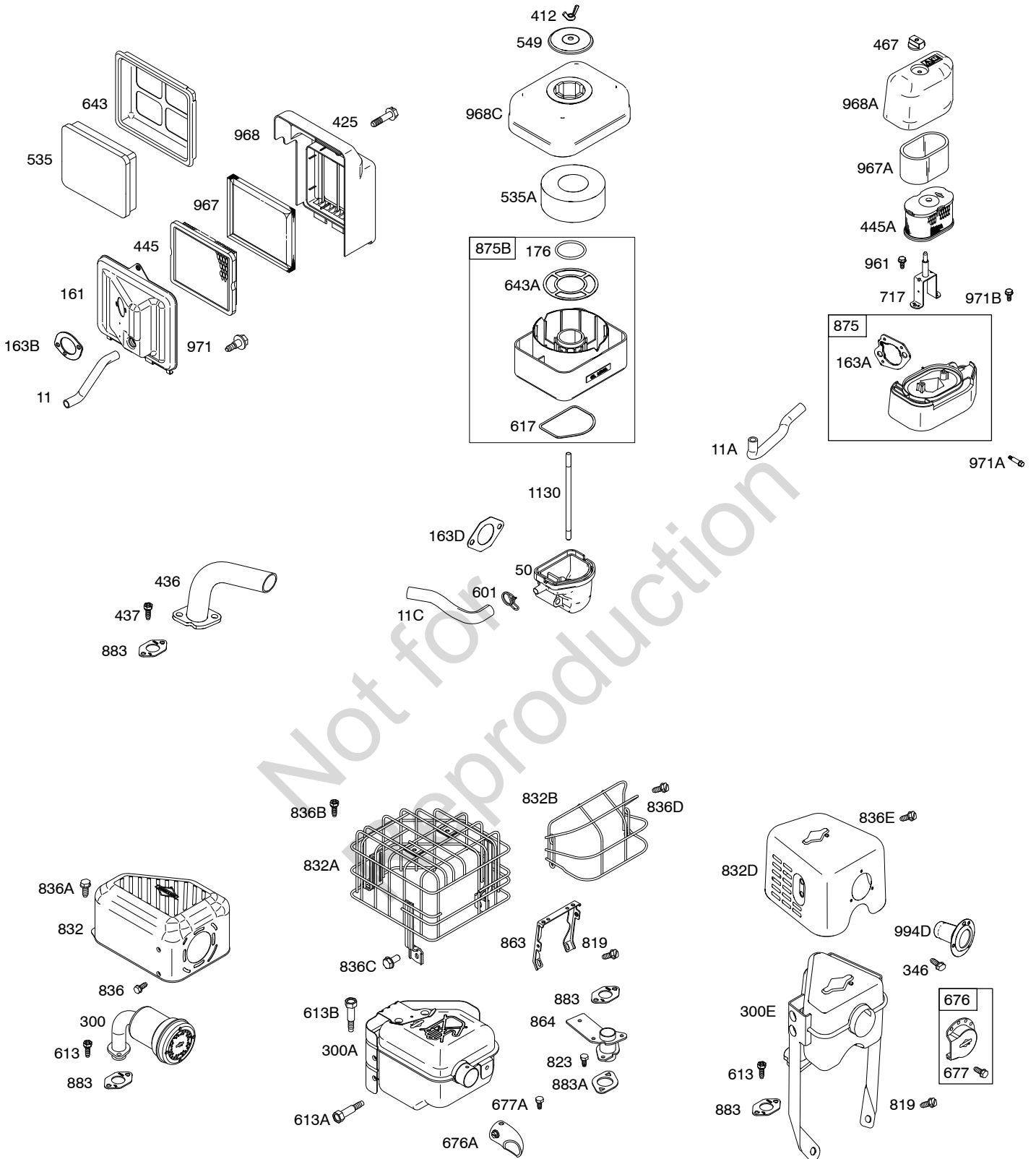
Illustrations cover a range of engines. Parts shown without corresponding text may not be used on your specific engine.
 3378-4 Assemblies include all parts shown in frames. 03/01/2012



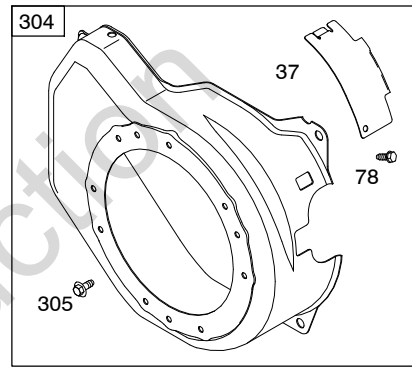
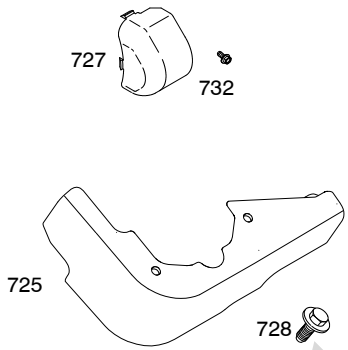
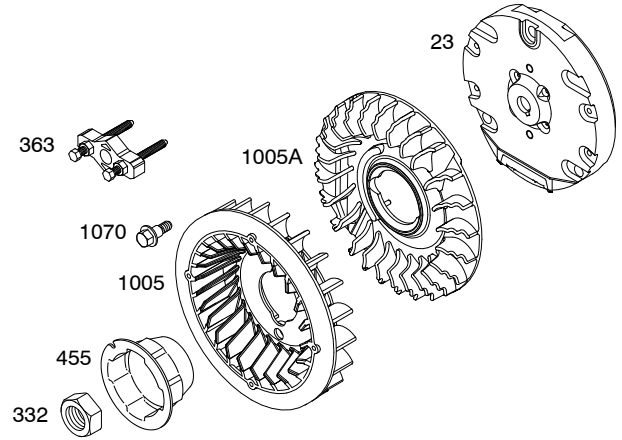
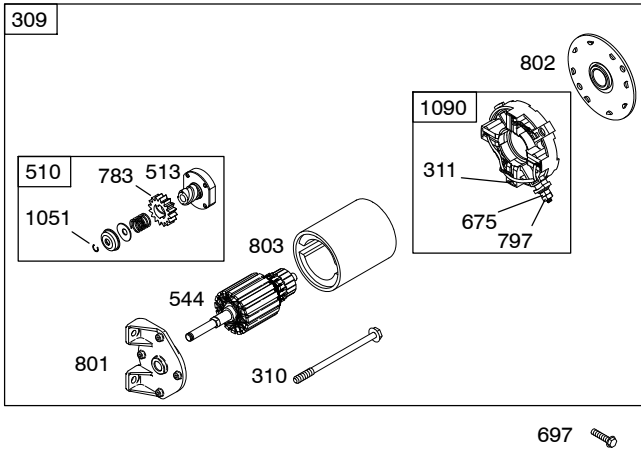
Illustrations cover a range of engines. Parts shown without corresponding text may not be used on your specific engine.
3378-5 Assemblies include all parts shown in frames. **03/01/2012**



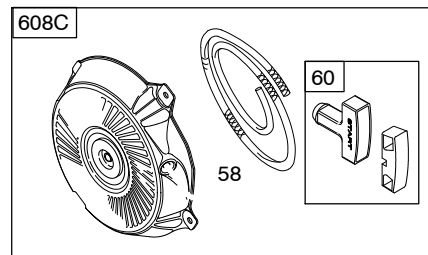
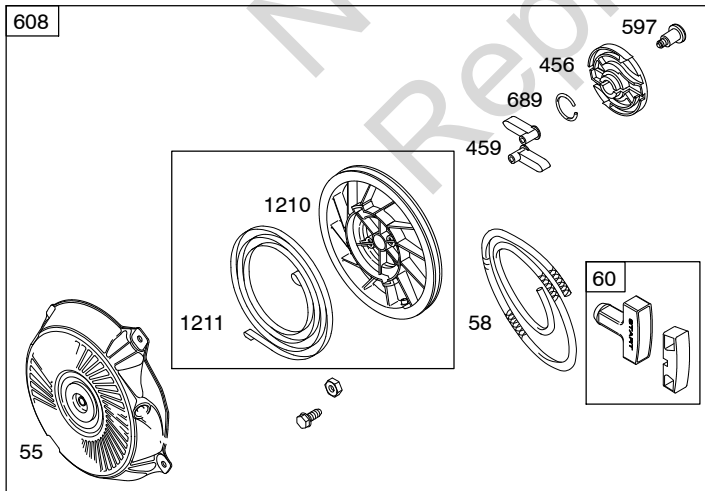
Illustrations cover a range of engines. Parts shown without corresponding text may not be used on your specific engine.
3378-6 Assemblies include all parts shown in frames. **03/01/2012**

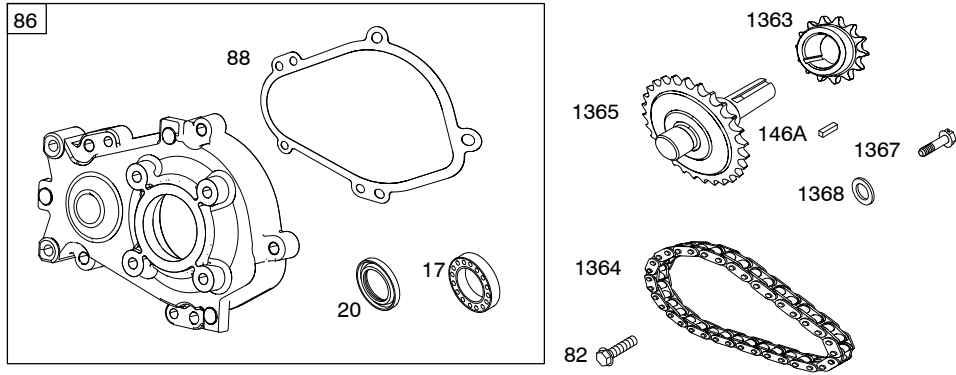


Illustrations cover a range of engines. Parts shown without corresponding text may not be used on your specific engine.
 3378-7 Assemblies include all parts shown in frames. 03/01/2012

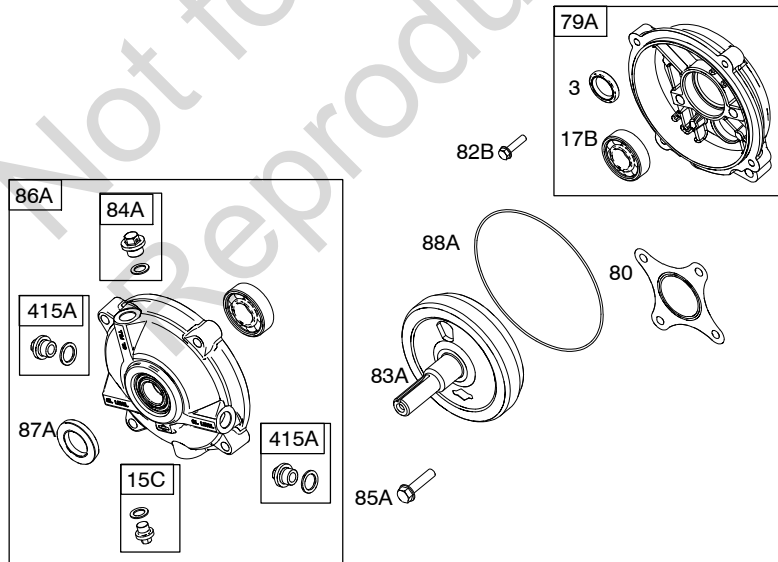


1036 EMISSIONS LABEL





Not for reproduction



122300

REF. NO.	PART NO.	DESCRIPTION	REF. NO.	PART NO.	DESCRIPTION	REF. NO.	PART NO.	DESCRIPTION
1	699490	Cylinder Assembly ----- Note ----- 793704 Cylinder-Assembly Used on Type No(s). 0134, 0168, 4168.	16	699835	Crankshaft Used on Type No(s). 0112, 0116, 0117, 0121, 0127, 0176, 4115, 4156, 4226, 4227, 4228, 4238, 5116, 5117, 5121, 5156, 5226, 5227, 5228, 5238, 6115.			797078 Crankshaft Used on Type No(s). 0138, 0139, 0140, 0256, 4182, 4306, 4323, 5138, 5139, 5140, 5306.
3	★299819S	Seal-Oil (Magneto Side)						797073 Crankshaft Used on Type No(s). 0131, 0136, 0141, 0144, 0148, 0255, 4110, 4118, 4123, 4140, 4142, 4239, 4241, 4307, 4322, 5110, 5142, 5144, 5148, 5239, 5241, 5307.
5	797439	Head-Cylinder (Metric) (Used After Code Date 09061700). ----- Note ----- 699486 Head-Cylinder (SAE) (Used Before Code Date 09061800).						797072 Crankshaft Used on Type No(s). 0100, 0111, 0115, 0119, 0122, 0128, 0129, 0137, 0145, 0146, 0168, 0169, 0888, 3210, 3214, 3249, 4113, 4136, 4139, 4141, 4159, 4168, 4185, 4200, 4207, 4223, 4225, 4242, 4245, 4249, 4305, 5113, 5115, 5119, 5122, 5129, 5136, 5145, 5146, 5159, 5169, 5185, 5200, 5207, 5210, 5214, 5225, 5242, 5249, 5305, 5888, 6136.
7	★∅698210	Gasket-Cylinder Head						790329 Crankshaft Used on Type No(s). 0113, 0118, 0123, 0124, 0130, 0134, 4111, 4181, 4190, 4208, 4232, 4235, 4236, 4325, 5111, 5118, 5123, 5124, 5190, 5208, 5232, 5235, 5236, 5325, .
11	812208	Tube-Breather (Flat Panel Air Cleaner)						797075 Crankshaft Used on Type No(s). 0132, 4197, 5197.
11A	693647	Tube-Breather (High Mount Air Cleaner)						793327 Crankshaft Used on Type No(s). 0170.
11C	793418	Tube-Breather (Oil Bath Air Cleaner)						
12	★699485	Gasket-Crankcase						
13	699482	Screw (Cylinder Head)						
15	691686	Plug-Oil Drain (Square Head)						
15A	691682	Plug-Oil Drain (Flush)						
15C	792750	Plug-Oil Drain						

★ Included in Engine Gasket Set-Ref. No.358.

● Included in Carburetor Overhaul Kit-Ref. No. 121.

◆ Included in Carburetor Gasket Set-Ref. No. 977.

∅ Included in Valve Gasket Set-Ref. No 1095.

Illustrations cover a range of engines. Parts shown without corresponding text may not be used on your specific engine.

REF. NO.	PART NO.	DESCRIPTION	REF. NO.	PART NO.	DESCRIPTION	REF. NO.	PART NO.	DESCRIPTION									
17	692517	Bearing-Ball	18A	790337	Cover-Crankcase Used on Type No(s). 0100, 0111, 0112, 0115, 0116, 0117, 0119, 0121, 0122, 0127, 0129, 0131, 0136, 0137, 0144, 0145, 0148, 0168, 0169, 0170, 0176, 0888, 3210, 3214, 3249, 4110, 4113, 4115, 4118, 4120, 4123, 4136, 4139, 4142, 4156, 4159, 4168, 4207, 4223, 4225, 4226, 4227, 4228, 4238, 4239, 4241, 4242, 4249, 4245, 5110, 5113, 5115, 5116, 5117, 5119, 5120, 5121, 5122, 5129, 5136, 5142, 5144, 5145, 5148, 5156, 5159, 5169, 5207, 5210, 5214, 5225, 5226, 5227, 5228, 5238, 5239, 5241, 5242, 5249, 5888, 6115, 6136.	20	★692550	Seal-Oil (PTO Side)	21	281658S	Cap-Oil Fill	22	699478	Screw (Crankcase Cover/ Sump)	23	699488	Flywheel ----- Note ----- 699514 Flywheel Used on Type No(s). 0116, 0139, 0176, 4156, 4185, 4190, 4228, 4232, 4236, 4238, 5116, 5139, 5156, 5185, 5190, 5228, 5232, 5236, 5238. 790328 Flywheel Used on Type No(s). 4182, 4245.
17A	690824	Bearing-Ball			----- Note ----- 699672 Cover- Crankcase Used on Type No(s). 0128, 0132, 0138, 0139, 0140, 0141, 0146, 0255, 0256, 4140, 4141, 4182, 4185, 4197, 4200, 4305, 4306, 4307, 4322, 4323, 5138, 5139, 5140, 5146, 5185, 5197, 5200, 5305, 5306, 5307.												
17B	99158	Bearing-Ball	18D	790330	Cover-Crankcase Used on Type No(s). 0113, 0118, 0123, 0124, 0130, 0134, 4111, 4181, 4190, 4208, 4232, 4235, 4236, 4325, 5111, 5118, 5123, 5124, 5190, 5208, 5232, 5235, 5236, 5325.												
18	699804	Cover-Crankcase Used on Type No(s). 0260, 5260.															

★ Included in Engine Gasket Set-Ref. No.358.

● Included in Carburetor Overhaul Kit-Ref. No. 121.

◆ Included in Carburetor Gasket Set-Ref. No. 977.

⊙ Included in Valve Gasket Set-Ref. No 1095.

Illustrations cover a range of engines. Parts shown without corresponding text may not be used on your specific engine.

122300

REF. NO.	PART NO.	DESCRIPTION	REF. NO.	PART NO.	DESCRIPTION	REF. NO.	PART NO.	DESCRIPTION
24	796335	Key-Flywheel	29	690124	Rod-Connecting (Used Before Code Date 07081600).	37	699661	Guard-Flywheel
25	792004	Piston Assembly (Standard)				38	698557	Screw (Shut Off Valve)
		----- Note -----			----- Note -----	38A	797150	Screw (Shut Off Valve)
		797820 Piston Assembly (.010" Oversize)			792247 Rod- Connecting (.020" Undersize)	40	692194	Retainer-Valve
		791325 Piston Assembly (.020" Oversize)	29B	797436	Rod-Connecting (Metric) (Used After Code Date 09053100).	45	690977	Tappet-Valve
26	791969	Ring Set (Standard) (Used After Code Date 05093000).			----- Note -----	46A	696813	Camshaft
		----- Note -----			795636 Rod- Connecting (SAE) (Used After Code Date 07081500 and Before Code Date 09060100).			----- Note -----
		499631 Ring Set (Standard) (Used Before Code Date 05100100).	30	791584	Dipper-Connecting Rod	50	793419	Manifold-Intake
		797821 Ring Set (.010" Oversize)	32	691664	Screw (Connecting Rod)	51★◆◇	692555	Gasket-Intake
		791324 Ring Set (.020" Oversize) (Used After Code Date 05093000).	32A	695759	Screw (Connecting Rod)	53	793414	Stud (Carburetor)
		692786 Ring Set (.020" Oversize) (Used Before Code Date 05100100).	32B	797437	Screw (Connecting Rod) (Metric) (Used After Code Date 09053100).	55	791848	Housing-Rewind Starter
27	691866	Lock-Piston Pin			----- Note -----	58	693389	Rope-Starter (Cut to Required Length) (Used After Code Date 11123100).
28	499423	Pin-Piston			791784 Screw (Connecting Rod) (SAE) (Used Before Code Date 09060100).			----- Note -----
			33	499642	Valve-Exhaust	60	490652	Grip-Starter Rope
			34	499641	Valve-Intake	65	699851	Screw (Rewind Starter) (Metric)
			35	691304	Spring-Valve (Intake)			----- Note -----
			36	691304	Spring-Valve (Exhaust)	78	699205	Screw (Flywheel Guard)
						79A	792746	Case-Gear Reduction
						80	792755	Gasket-Gear Case

★ Included in Engine Gasket Set-Ref. No.358.

● Included in Carburetor Overhaul Kit-Ref. No. 121.

◆ Included in Carburetor Gasket Set-Ref. No. 977.

◇ Included in Valve Gasket Set-Ref. No 1095.

Illustrations cover a range of engines. Parts shown without corresponding text may not be used on your specific engine.

REF. NO.	PART NO.	DESCRIPTION	REF. NO.	PART NO.	DESCRIPTION	REF. NO.	PART NO.	DESCRIPTION
82	807421	Screw (Gear Reduction Case)	117	494870	Jet-Main (Standard)	118	497315	Jet-Main (High Altitude)
82B	792753	Screw (Gear Reduction Case)			----- Note -----			----- Note -----
83A	792756	Shaft-Auxiliary Drive			698344 Jet-Main (Standard)			691428 Jet-Main (High Altitude)
84A	792759	Plug-Breather			(Used Before Code Date 12010100).			(Used Before Code Date 12010100).
85A	690711	Screw (Gear Cover to Gear Reduction)			Used on Type No(s). 0256, 0260, 4141, 4182, 4323.			Used on Type No(s). 0256, 0260, 4141, 4182, 4323.
86	790332	Cover-Gear	117A	698666	Jet-Main (Standard)	118A	698552	Jet-Main (High Altitude)
86A	795647	Cover-Gear			----- Note -----			----- Note -----
87A	792752	Seal-Gear Reduction			793415 Jet-Main (Standard)			793415 Jet-Main (High Altitude)
88	790333	Gasket-Gear Reduction Cover			(Used on Type No(s). 4159, 4181, 5159.			(Used on Type No(s). 4159, 4181, 5159.
88A	792760	Gasket-Gear Reduction Cover	117B	793708	Jet-Main (Standard)	118B	793709	Jet-Main (High Altitude)
95	691636	Screw (Throttle Valve)	117C	797140	Jet-Main (Standard)	118C	797141	Jet-Main (High Altitude)
95A	698544	Screw (Throttle Valve)	117D	797574	Jet-Main (Standard)	118D	797575	Jet-Main (High Altitude)
95B	797161	Screw (Throttle Valve)			----- Note -----			----- Note -----
97	690024	Shaft-Throttle			590906 Jet-Main (Standard)			590440 Jet-Main (High Altitude)
97A	698542	Shaft-Throttle			(Used After Code Date 11123100).			(Used After Code Date 11123100).
97B	797153	Shaft-Throttle			Used on Type No(s). 0256, 0260, 4141, 4182, 4323, 5260.			Used on Type No(s). 0256, 0260, 4141, 4182, 4323, 5260.
97C	797628	Shaft-Throttle				121C	797162	Kit-Carburetor Overhaul
98	398185	Kit-Idle Speed				122	★795643	Spacer-Carburetor
98B	698551	Kit-Idle Speed				122A	695286	Spacer-Carburetor
98C	797156	Kit-Idle Speed						
104	●691242	Pin-Float Hinge						
104A	●698536	Pin-Float Hinge						
104B	●797138	Pin-Float Hinge						
104C	●797622	Pin-Float Hinge						
105	698537	Valve-Float Needle						
105A	797139	Valve-Float Needle						
108	692567	Valve-Choke						
108C	698546	Valve-Choke						
108D	797159	Valve-Choke						
109	690023	Shaft-Choke						
109A	693628	Shaft-Choke						
109C	790624	Shaft-Choke						

★ Included in Engine Gasket Set-Ref. No.358.

● Included in Carburetor Overhaul Kit-Ref. No. 121.

◆ Included in Carburetor Gasket Set-Ref. No. 977.

⊗ Included in Valve Gasket Set-Ref. No 1095.

Illustrations cover a range of engines. Parts shown without corresponding text may not be used on your specific engine.

122300

REF. NO.	PART NO.	DESCRIPTION	REF. NO.	PART NO.	DESCRIPTION	REF. NO.	PART NO.	DESCRIPTION
125	790243	Carburetor Used on Type No(s). 0141, 0255, 4140, 4322. ----- Note ----- 698475 Carburetor (Used Before Code Date 12010100). Used on Type No(s). 0256, 0260, 4141, 4182, 4323.	127	●691739	Plug-Welch	161	699207	Base-Air Cleaner (Metal) (Flat Panel Air Cleaner)
125A	698558	Carburetor (Used Before Code Date 09030100). ----- Note ----- 793411 Carburetor Used on Type No(s). 4159, 4181, 5159. 793711 Carburetor Used on Type No(s). 4232, 5232.	127C	●690727	Plug-Welch	163A	★◆792870	Gasket-Air Cleaner
125B	793707	Carburetor (Not Serviced Separately, Order Replacement Carburetor) Used on Type No(s). 0134, 0168, 4168.	127D	●797135	Plug-Welch	163B	★◆696024	Gasket-Air Cleaner (Flat Panel Air Cleaner)
125C	796447	Carburetor (Used After Code Date 09022800).	127E	●797633	Plug-Welch	163D	793412	Gasket-Air Cleaner (Oil Bath Air Cleaner)
125D	797573	Carburetor Used on Type No(s). 4241, 4242, 5241, 5242. ----- Note ----- 591309 Carburetor (Used After Code Date 11123100). Used on Type No(s). 0256, 0260, 4141, 4182, 4323, 5260.	130A	691203	Valve-Throttle	170	699818	Stud (Crankcase Cover)
			130B	698543	Valve-Throttle	176	793441	Seal-O Ring (Air Cleaner Base)
			130C	797154	Valve-Throttle	180	795832	Tank-Fuel (Metal) (Used After Code Date 08051100). ----- Note ----- 794640 Tank-Fuel (Metal) (Used After Code Date 07050800 and Before Code Date 08051200). 791598 Tank-Fuel (Metal) (Used Before Code Date 07050900).
			130D	797630	Valve-Throttle			
			133	398187	Float-Carburetor	181	794641	Cap-Fuel Tank (Metal) (Used After Code Date 07050800). ----- Note ----- 699840 Cap-Fuel Tank (Metal) (Used Before Code Date 07050900).
			133A	698539	Float-Carburetor			
			133B	797136	Float-Carburetor	186	692317	Connector-Hose
			134	●398188	Kit-Needle/Seat			
			137	◆693981	Gasket-Float Bowl			
			137A	◆698538	Gasket-Float Bowl			
			137B	◆797137	Gasket-Float Bowl			
			137C	◆797625	Gasket-Float Bowl			
			141	698545	Kit-Choke Shaft ----- Note ----- 793413 Kit-Choke Shaft Used on Type No(s). 4159, 4181, 5159. 793710 Kit-Choke Shaft Used on Type No(s). 4232, 5232.			
			141A	797158	Kit-Choke Shaft			
			142	797151	Nozzle-Carburetor			
			146	690979	Key-Timing			
			146A	790943	Key-Timing			
			155	797442	Plate-Cylinder Head (Metric) (Used After Code Date 09061700). ----- Note ----- 698214 Plate-Cylinder Head (SAE) (Used Before Code Date 09061800).			

★ Included in Engine Gasket Set-Ref. No.358.

● Included in Carburetor Overhaul Kit-Ref. No. 121.

◆ Included in Carburetor Gasket Set-Ref. No. 977.

⊙ Included in Valve Gasket Set-Ref. No 1095.

Illustrations cover a range of engines. Parts shown without corresponding text may not be used on your specific engine.

REF. NO.	PART NO.	DESCRIPTION	REF. NO.	PART NO.	DESCRIPTION	REF. NO.	PART NO.	DESCRIPTION
187	791766	Line-Fuel (Cut to Required Length)	209A	691278	Spring-Governor	227	692573	Lever-Governor Control
187A	791867	Line-Fuel (Molded)	211	692069	Spring-Governor Idle	231	690718	Screw (Choke Valve)
187B	791874	Line-Fuel (Molded)	219	693578	Gear-Governor	231A	797160	Screw (Choke Valve)
187D	795046	Line-Fuel (Molded)	220	691724	Washer (Governor Gear)	238	691300	Valve-Cap
187E	797183	Line-Fuel (Molded)	222	699589	Bracket-Control (Used Before Code Date 07030100).	240	394358S	Filter-Fuel
188	699479	Screw (Control Bracket)	222D	795669	Bracket-Control (Used With Metal Fuel Tank)	254	797145	Drain-Carburetor Bowl
190	699220	Screw (Fuel Tank)			(Used After Code Date 08051100).	265	691024	Clamp-Casing
190B	795047	Screw (Fuel Tank) (Used After Code Date 08051100).			----- Note -----	267	699492	Screw (Casing Clamp)
		----- Note -----			793107 Bracket-Control (Used With Metal Fuel Tank)	268	691025	Casing-Control Wire (Cut to Required Length)
		699839 Screw (Fuel Tank) (Used Before Code Date 08051200).			(Used Before Code Date 08051200).	269	691026	Wire-Control (Cut to Required Length)
		----- Note -----			793107 Bracket-Control (Used With Plastic Fuel Tank)	270	691027	Nut (Control Wire Casing)
192	797440	Adjuster-Rocker Arm (Metric) (Used After Code Date 09061700).	222F	795668	Bracket-Control (Used With Metal Fuel Tank) (Used After Code Date 08051100).	271	691028	Lever-Control
		----- Note -----			----- Note -----	271A	694256	Lever-Control
		694543 Adjuster-Rocker Arm (SAE) (Used Before Code Date 09061800).			793100 Bracket-Control (Used With Metal Fuel Tank)	276	●271716	Washer-Sealing
209	692571	Spring-Governor			(Used Before Code Date 08051200).	276A	●698540	Washer-Sealing
		----- Note -----			793100 Bracket-Control (Used With Plastic Fuel Tank)	276B	●797147	Washer-Sealing
		693206 Spring-Governor Used on Type No(s). 0131, 0138, 0139, 0140, 0170, 4197, 4232, 4306, 4307, 5138, 5139, 5140, 5197, 5232, 5306, 5307.				276C	●797632	Washer-Sealing

★ Included in Engine Gasket Set-Ref. No.358.

● Included in Carburetor Overhaul Kit-Ref. No. 121.

◆ Included in Carburetor Gasket Set-Ref. No. 977.

⊘ Included in Valve Gasket Set-Ref. No 1095.

Illustrations cover a range of engines. Parts shown without corresponding text may not be used on your specific engine.

122300

REF. NO.	PART NO.	DESCRIPTION	REF. NO.	PART NO.	DESCRIPTION	REF. NO.	PART NO.	DESCRIPTION
281	793133	Panel-Control (Used After Code Date 07022800). ----- Note ----- 790261 Panel-Control (Used Before Code Date 07030100). 793122 Panel-Control Used on Type No(s). 0115, 0128, 0132, 0139, 0141, 0146, 0255, 0256, 0260, 4136, 4140, 4141, 4182, 4185, 4200, 4305, 4306, 4307, 4322, 4323, 5115, 5136, 5139, 5146, 5185, 5200, 5260, 5305, 5306, 5307, 6136. 795565 Panel-Control Used on Type No(s). 4241, 4242, 5241, 5242.	305	699481	Screw (Blower Housing)	347	698338	Switch-Rocker ----- Note ----- 697854 Switch-Rocker Used on Type No(s). 0100, 0111, 0115, 0116, 0117, 0119, 0121, 0122, 0128, 0129, 0131, 0136, 0140, 0141, 0144, 0148, 0170, 0255, 0256, 0260, 4110, 4118, 4123, 4136, 4140, 4141, 4142, 4168, 4182, 4185, 4190, 4200, 4207, 4226, 4232, 4238, 4239, 4242, 4245, 4305, 4306, 4307, 4322, 4323, 5110, 5115, 5116, 5117, 5119, 5121, 5122, 5129, 5136, 5140, 5142, 5144, 5148, 5185, 5190, 5200, 5207, 5226, 5232, 5236, 5238, 5239, 5242, 5260, 5305, 5306, 5307, 6136. 790949 Switch-Rocker Used on Type No(s). 0124, 4236, 5124.
286	794185	Module-Oil Sensor	306	693610	Shield-Cylinder			
287	699629	Screw (Dipstick Tube)	307	699483	Screw (Cylinder Shield)			
300	693593	Muffler	309	694504	Motor-Starter			
300A	699231	Muffler	310	690323	Screw (Starter Motor)			
300E	791595	Muffler	311	497608	Brush Set			
304	699598	Housing-Blower	318B	793567	Screw (Mounting Bracket)			
			332	792723	Nut (Flywheel)			
			333	695711	Armature-Magneto			
			334	699477	Screw (Magneto Armature)			
			337	491055S	Plug-Spark (Resistor) ----- Note ----- 691043 Plug-Spark (EMS)			
			346	699203	Screw (Spark Arrestor) (Metric) ----- Note ----- 690661 Screw (Spark Arrestor) (SAE)			

★ Included in Engine Gasket Set-Ref. No.358.

● Included in Carburetor Overhaul Kit-Ref. No. 121.

◆ Included in Carburetor Gasket Set-Ref. No. 977.

⊘ Included in Valve Gasket Set-Ref. No 1095.

Illustrations cover a range of engines. Parts shown without corresponding text may not be used on your specific engine.

REF. NO.	PART NO.	DESCRIPTION	REF. NO.	PART NO.	DESCRIPTION	REF. NO.	PART NO.	DESCRIPTION
356	693651	Wire-Stop	445	491588	Filter-Air Cleaner Cartridge (Flat Panel)	493	691177	Bracket-Mounting
356A	692390	Wire-Stop				493C	699048	Bracket-Mounting
356B	692602	Wire-Stop	445A	697029	Filter-Air Cleaner Cartridge (High Mount)	497	691693	Screw (Stop Switch Bracket)
356C	695630	Wire-Stop				500A	792613	Washer (Key Switch)
356D	695283	Wire-Stop	455	591302	Cup-Flywheel (Used After Code Date 11123100).	500B	691086	Washer (Key Switch)
356E	695814	Wire-Stop				501	691185	Regulator
356F	697397	Wire-Stop						
356K	791765	Wire-Stop						
356M	792609	Wire-Stop						
357	692191	Key-Drive Pulley			----- Note -----			----- Note -----
357	798869	Key-Drive Pulley (Metric)			692591 Cup-Flywheel (Used Before Code Date 12010100).			698315 Regulator Used on Type No(s). 0116, 4238, 5116, 5238.
		----- Note -----	456	692299	Plate-Pawl Friction	503	691532	Strap-Starter
		692191 Key-Drive Pulley (SAE)	459	281505	Pawl-Ratchet	504	694254	Washer Set-Friction
			464	◆698550	Seal-O Ring (Fuel Shut Off Valve)	505	691251	Nut (Governor Control Lever)
358	791797	Gasket Set-Engine	464A	◆797148	Seal-O Ring (Fuel Shut Off Valve)			
361	691693	Screw (Starting Switch)	464B	◆797155	Seal-O Ring (Fuel Shut Off Valve)	510	499308	Drive-Starter
363	19203	Puller-Flywheel				513	692024	Drive-Clutch
364	695693	Terminal-Oil Plug				522	697689	Plug-Dipstick/Fill
365	699484	Screw (Carburetor)	467	691668	Knob-Air Cleaner	523	693618	Dipstick
383	19374S	Wrench-Spark Plug	474	695466	Alternator	524	281370S	Seal-Dipstick Tube
412	793443	Nut (Air Cleaner Cover)			----- Note -----	526	690297	Screw (Regulator)
415	693463	Plug			790320 Alternator Used on Type No(s). 4182, 4245.	526A	690326	Screw (Regulator)
415A	792749	Plug			695730 Alternator Used on Type No(s). 0176, 4156, 4190, 4228, 4232, 4236, 5156, 5190, 5228, 5232, 5236.	535	696263	Filter-Air Cleaner Foam
425	699208	Screw (Air Cleaner Cover)			793640 Alternator Used on Type No(s). 4185, 5185.	535A	792472	Filter-Air Cleaner Foam
427	798458	Nut (Control Bracket) (Metric)	474A	698314	Alternator Used on Type No(s). 0116, 4238, 5116, 5238.	544	692966	Armature-Starter
		----- Note -----				549	793434	Washer (Air Cleaner Cover)
		694255 Nut (Control Bracket) (SAE)				552	692346	Bushing-Governor Crank
436	793706	Manifold-Exhaust				562	691119	Bolt (Governor Control Lever)
437	791972	Screw (Exhaust Manifold)						

★ Included in Engine Gasket Set-Ref. No.358.

● Included in Carburetor Overhaul Kit-Ref. No. 121.

◆ Included in Carburetor Gasket Set-Ref. No. 977.

⊘ Included in Valve Gasket Set-Ref. No 1095.

Illustrations cover a range of engines. Parts shown without corresponding text may not be used on your specific engine.

122300

REF. NO.	PART NO.	DESCRIPTION	REF. NO.	PART NO.	DESCRIPTION	REF. NO.	PART NO.	DESCRIPTION
564	699491	Screw (Control Cover)	619	699481	Screw (Cylinder Head Plate)	692	690572	Spring-Detent
564A	699206	Screw (Control Cover)	621	692310	Switch-Stop	692A	797134	Spring-Detent
577	690795	Cable-Starter	627	792608	Bracket-Stopswitch	692B	797624	Spring-Detent
578	692306	Wire Assembly	632	693408	Spring/Link-	697	793567	Screw (Starter Motor)
578B	790948	Wire Assembly	633	◆693867	Seal-Choke/Throttle Shaft	717	693462	Bracket-Air Cleaner
579	691029	Nut (Starter Cable)	633A	◆691321	Seal-Choke/Throttle Shaft	718	690959	Pin-Locating
597	691696	Screw (Pawl Friction Plate)	633B	●690998	Seal-Choke/Throttle Shaft	725	792874	Shield-Heat
601	791850	Clamp-Hose	633C	●797157	Seal-Choke/Throttle Shaft	727	698039	Cover-Starter Drive
604	697326	Cover-Control	635	692076	Boot-Spark Plug	728	699632	Screw (Heat Shield)
608	795930	Starter-Rewind (Used After Code Date 08030200 and Before Code Date 12010100). ----- Note ----- 791670 Starter- Rewind (Used Before Code Date 08030300).	635A	692927	Boot-Spark Plug	732	699200	Screw (Starter Drive Cover)
608C	591301	Starter-Rewind (Used After Code Date 11123100).	643	696264	Retainer-Air Filter	741	695087	Gear-Timing
613	699209	Screw (Muffler)	643A	793424	Retainer-Air Filter	742	692564	Retainer-E Ring
613A	699481	Screw (Muffler)	652	699755	Screw (Support Bracket)	746	790278	Gear-Idler
613B	799081	Screw (Muffler) (Metric) ----- Note ----- 697812 Screw (Muffler) (SAE)	652A	699481	Screw (Support Bracket)	773	694258	Retainer
615	692576	Retainer-Governor Shaft	663	699206	Screw (Control Panel)	783	692353	Gear-Pinion
616	692547	Crank-Governor	664	691087	Nut (Key Switch)	789	797457	Harness-Wiring
617	793440	Seal-O Ring (Intake Manifold)	668	694257	Spacer	797	691029	Nut (Brush Retainer)
			675	691261	Washer (Brush Retainer)	799	699202	Screw (Oil Sensor)
			676	393760	Deflector-Muffler	801	694482	Cap-Drive
			676A	697816	Deflector-Muffler	802	691286	Cap-End
			677	699203	Screw (Muffler Deflector) (Metric) ----- Note ----- 690661 Screw (Muffler Deflector) (SAE)	803	693757	Housing-Starter
			677A	699776	Screw (Muffler Deflector)	813	690635	Clamp
			689	691855	Spring-Friction	819	699233	Screw (Muffler Bracket)
						823	699209	Screw (Muffler Adapter)
						830	797441	Stud-Rocker Arm (Metric) (Used After Code Date 09061700). ----- Note ----- 694544 Stud-Rocker Arm (SAE) (Used Before Code Date 09061800).

★ Included in Engine Gasket Set-Ref. No.358.

● Included in Carburetor Overhaul Kit-Ref. No. 121.

◆ Included in Carburetor Gasket Set-Ref. No. 977.

⊙ Included in Valve Gasket Set-Ref. No 1095.

Illustrations cover a range of engines. Parts shown without corresponding text may not be used on your specific engine.

3378-18

Assemblies include all parts shown in frames.

03/01/2012

REF. NO.	PART NO.	DESCRIPTION	REF. NO.	PART NO.	DESCRIPTION	REF. NO.	PART NO.	DESCRIPTION
832	693583	Guard-Muffler	883	★691893	Gasket-Exhaust	958	698180	Valve-Fuel Shut Off
832A	697818	Guard-Muffler	883A	★692237	Gasket-Exhaust	958A	698549	Valve-Fuel Shut Off
832B	696516	Guard-Muffler	890	790203	Bracket-Control	958B	797149	Valve-Fuel Shut Off
832D	796240	Guard-Muffler (Used After Code Date 08062400).	892	791944	Switch-Key	961	698304	Screw (Air Cleaner Bracket)
		----- Note -----	892A	692318	Key-Switch	967	493537	Filter-Pre Cleaner (Flat Panel)
		791600 Guard-Muffler (Used Before Code Date 08062500).	914	699481	Screw (Rocker Cover) (Bottom)	967A	273356S	Filter-Pre Cleaner (High Mount)
835	797458	Bracket-Wire Harness	914A	797444	Screw (Rocker Cover) (Top)(Metric) (Used After Code Date 09061700).	968	692584	Cover-Air Cleaner (Flat Panel)
836	699203	Screw (Muffler Guard)			----- Note -----			698811 Cover-Air Clearer Used on Type No(s). 0131, 0134, 0168, 0170, 4118, 4168, 4232, 4245, 5232.
836A	699632	Screw (Muffler Guard)			----- Note -----			
836B	699209	Screw (Muffler Guard)			692557 Screw (Top)(SAE) (Used Before Code Date 09061800).	968A	693460	Cover-Air Cleaner (High Mount)
836C	699755	Screw (Muffler Guard)	914B	797444	Screw (Rocker Cover) (Center)(Metric) (Used After Code Date 09061700).	968C	793425	Cover-Air Cleaner (Oil Bath Air Cleaner)
836D	699204	Screw (Muffler Guard)			----- Note -----	971	798649	Screw (Air Cleaner Base) (Metric)
836E	699755	Screw (Muffler Guard)			697551 Screw (Rocker Cover) (Center)(SAE) (Used Before Code Date 09061800).			----- Note -----
842	691031	Seal-O Ring (Dipstick Tube)	920	691656	Solenoid-Starter			690370 Screw (Air Cleaner Base) (SAE)
843A	695588	Sleeve-Lever	951A	797592	Lever-Choke	971A	591307	Screw (Air Cleaner Base) (Used After Code Date 11123100).
847	693617	Dipstick/Tube Assembly	957	792647	Cap-Fuel Tank (Fresh Start)			----- Note -----
851	493880S	Terminal-Spark Plug			----- Note -----			690349 Screw (Air Cleaner Base) (Used Before Code Date 12010100).
863	699229	Bracket-Muffler	957A	799719	Cap-Fuel Tank (Carbon In Cap)	971B	699629	Screw (Air Cleaner Base)
864	699232	Adapter-Muffler	957B	698109	Cap-Fuel Tank			
868	★692044	Seal-Valve						
875	591306	Base-Air Cleaner (High Mount) (Used After Code Date 11123100).						
		----- Note -----						
		697030 Base-Air-Cleaner (High Mount) (Used Before Code Date 12010100).						
875B	793423	Base-Air Cleaner (Oil Bath Air Cleaner)						

★ Included in Engine Gasket Set-Ref. No.358.

● Included in Carburetor Overhaul Kit-Ref. No. 121.

◆ Included in Carburetor Gasket Set-Ref. No. 977.

⊘ Included in Valve Gasket Set-Ref. No 1095.

Illustrations cover a range of engines. Parts shown without corresponding text may not be used on your specific engine.

122300

REF. NO.	PART NO.	DESCRIPTION	REF. NO.	PART NO.	DESCRIPTION	REF. NO.	PART NO.	DESCRIPTION
972	694260	Tank-Fuel	1034	691343	Guide-Push Rod	1210	791849	Pulley/Spring Assembly
975	493640	Bowl-Float	1036		Label-Emissions (Available From An Authorized Briggs & Stratton Service Dealer)	1211	791849	Pulley/Spring Assembly (Spring)
975A	698541	Bowl-Float				1244	797143	Seal-O Ring (Carburetor Bowl Drain)
975B	797142	Bowl-Float	1051	691265	Ring-Retaining	1305	699691	Screw (Oil Sensor Module)
975C	797631	Bowl-Float	1052	790141	Sensor-Oil	1319	794467	Label-Warning
977C	797163	Gasket Set-Carburetor	1054	280275	Cable-Tie	1330	272147	Repair Manual
987	698556	Seal-Throttle Shaft	1058	277040	Operator's Manual	1345	699887	Filter-Filler Neck
987A	797152	Seal-Throttle Shaft	1070	699201	Screw (Flywheel Fan)	1345A	792917	Filter-Filler Neck
987B	797629	Seal-Throttle Shaft	1090	691293	Retainer-Brush	1363	790334	Sprocket-Gear Reduction
990	695756	Key Set	1095	791798	Gasket Set-Valve	1364	790335	Chain-Gear Reduction
990A	794696	Key Set	1095	791798	Gasket Set-Valve	1365	790336	Shaft-Output Gear Reduction
993	Ø694088	Gasket-Cylinder Head Plate	1119	699772	Screw (Alternator)	1367	690936	Screw (Gear Reduction Sprocket)
994D	793985	Arrester-Spark	1127	797146	Screw (Float Bowl To Carburetor Body)	1368	690301	Washer (Gear Reduction Sprocket)
1005	692592	Fan-Flywheel	1130	793438	Stud (Intake Manifold)			
1005A	794273	Fan-Flywheel	1174	692055	Nut (Intake Manifold)			
1022	★Ø691890	Gasket-Rocker Cover						
1023	791585	Cover-Rocker Arm						
1026	790287	Rod-Push						
1029	797443	Arm-Rocker (Metric) (Used After Code Date 09061700).						
		----- Note ----- 691230 Arm-Rocker (SAE) (Used Before Code Date 09061800).						

★ Included in Engine Gasket Set-Ref. No.358.

● Included in Carburetor Overhaul Kit-Ref. No. 121.

◆ Included in Carburetor Gasket Set-Ref. No. 977.

Ø Included in Valve Gasket Set-Ref. No 1095.

Illustrations cover a range of engines. Parts shown without corresponding text may not be used on your specific engine.

Not for
Reproduction

Not for
Reproduction

Not for
Reproduction

Not for
Reproduction

