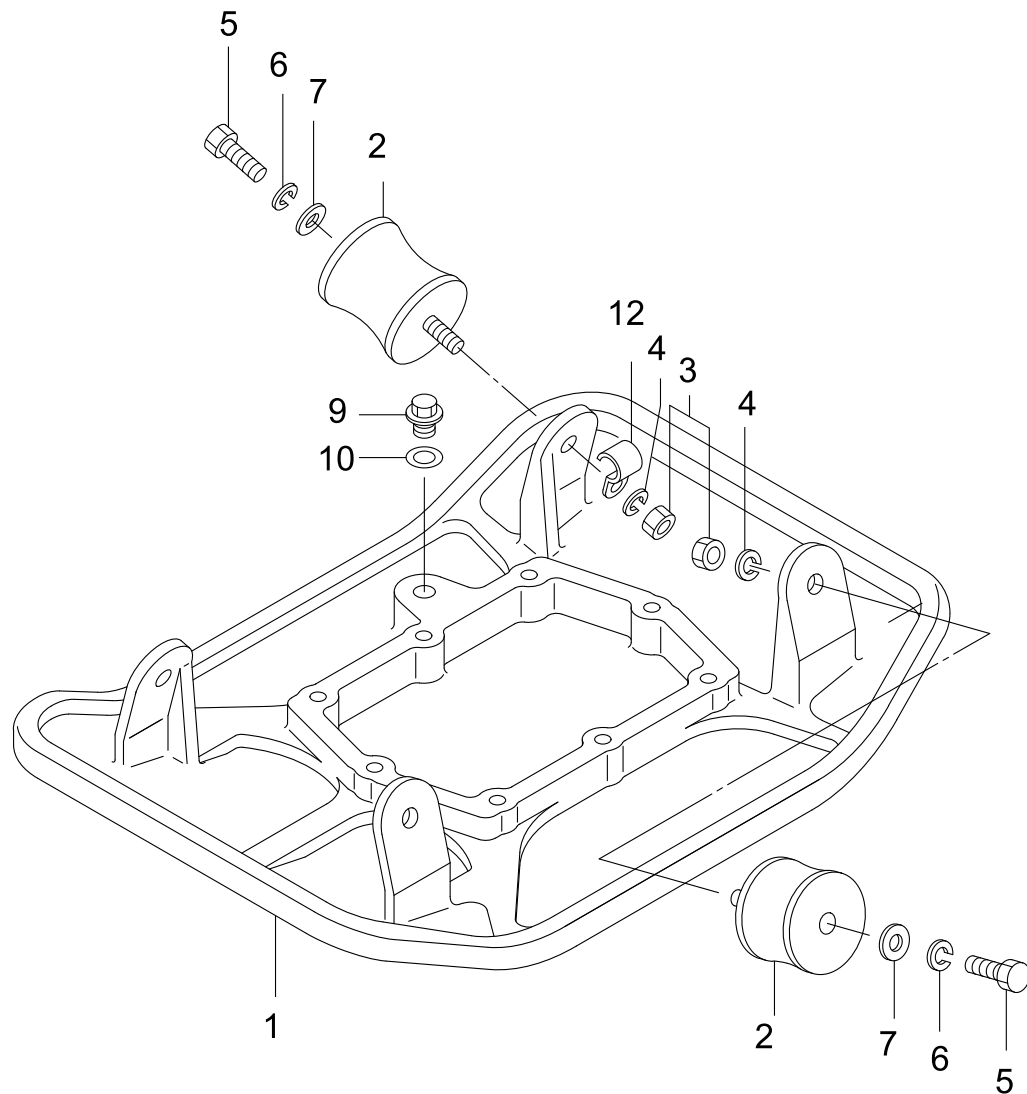


VIBRATINGPLATE

MVH-R60/R60A/R60L/R60H
2. VIBRATING PLATE / 振圧盤

4 L J



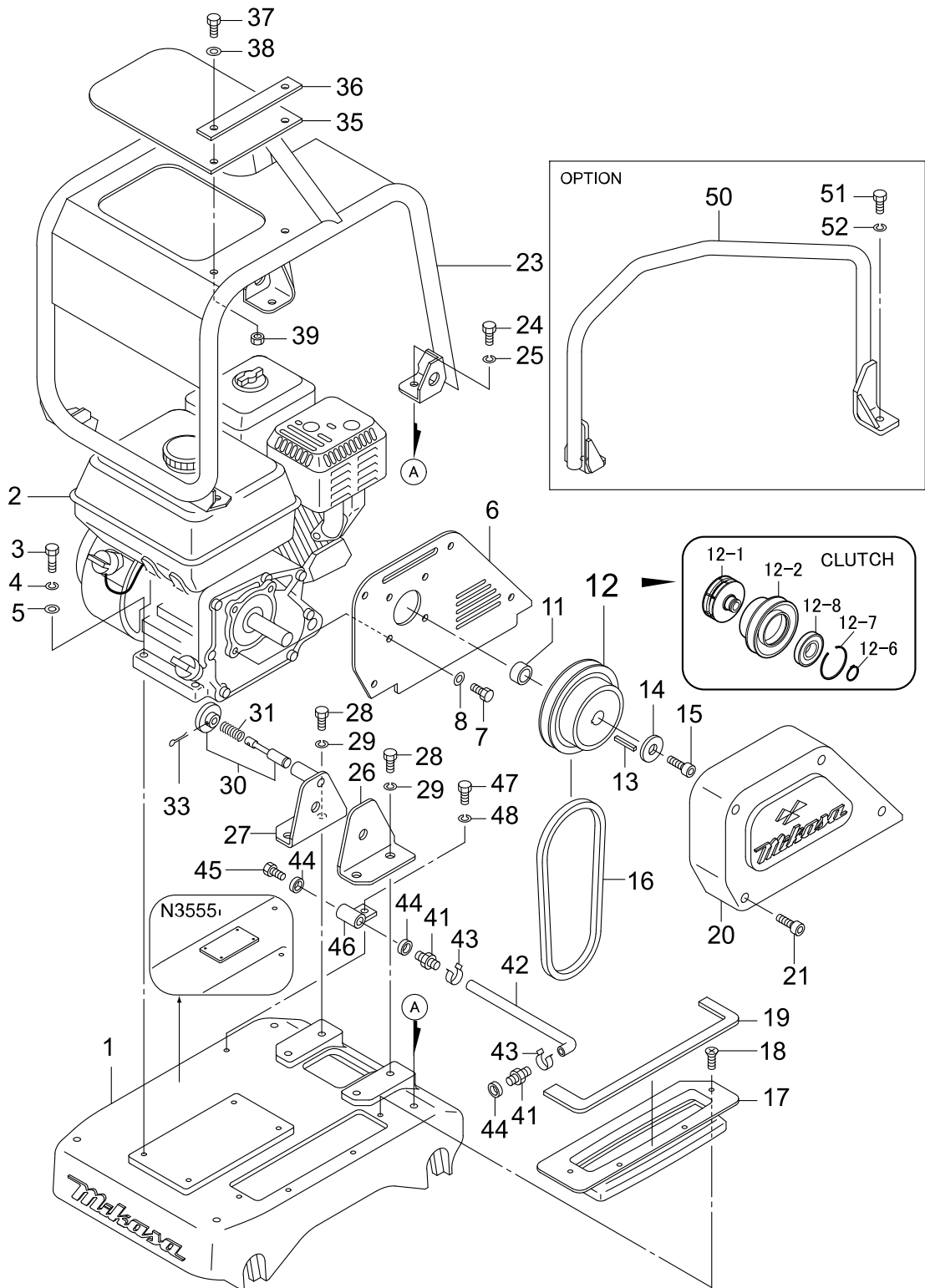
VIBRATINGPLATE

NO.	PART/NO.	PartsName	Q' TY	MK2	REMARKS	List Price
1	4631-17110	VIBRATING PLATE /MVH-R60	1			
2	9390-10430	SHOCK ABSORBE D50X45H 57	4			
3	0203-10080	NUT M10	4			
4	0302-10250	SW M10	4			
5	0012-21030	BOLT 10X30 T	4			
6	0302-10250	SW M10	4			
7	9524-01660	WASHER 103045	4			
9	4604-49160	OIL GAUGE /MVH-120	1			
10	9534-05260	PACKING 1/4 (CU)	1			
12	4634-56420	CLAMP, IBRATING PLATE /R60	1	!SD	*3K1651-1710	
12	4634-56420	CLAMP, IBRATING PLATE /R60	1	!SD	#5K1711-	

BODY

MVH-R60/R60A/R60L/R60H
3. BODY/本体

4LK0



BODY

NO.	PART/NO.	PartsName	Q' TY	MK2	REMARKS	List Price
1	4631-17120	BASE /MVH-R60	1	!4631-17121	#1	
1	4631-17121	BASE (M12)/MVH-R60	1	!4631-17122	*1, #5	
1	4631-17122	BASE(W, HOSE GUIDE)MVH-R60	1	!4631-17123	*5 EX13	
1	4631-17123	BASE/MVH-R60(N3555-)	1		EX13 N3555-	
2	9122-12006	ENGINE AY GX120K1SM11NH1	1	!9122-12012	JP/-C1295	
2	9122-12012	ENGINE AY GX120T2SM11	1	!9122-12015	C1296-E2098	
2	9122-12015	ENGINE AY GX120T3SM11(JP)	1		JP/E2099-	
2	9122-12014	ENGINE GX120UT3-SM12 EXP	1		GX /EXP	
2	9112-21312	ENGINE AY/EX13/JP	1	!SD	JPN K2160-	
2	9112-21311	ENGINE AY EX13, EXP/BL/MM	1	!SD	EXP P3800-	
3	0012-20840	BOLT 8X40 T	4			
4	0302-08200	SW M8	4			
5	0311-08160	PW M8	4			
6	4633-42160	BELT COVER PLATE/MVH-R60	1			
7	0012-20820	BOLT 8X20 T	4			
8	0302-08200	SW M8	4			
11	4634-55900	SPACER 18X25.4X13	1			
12	4604-46780	CLUTCH AY A1 /65W	1			
12-1	9439-20080	CLUTCH, SHAFT, A, Y/MVR-65W	1			
12-2	9410-10400	CLUTCH PULLY A1124-S18D	1			
12-6	0802-00300	STOP RING S-30	1			
12-7	0806-00550	STOP RING AR-55	1			
12-8	0460-06006	BEARING 6006DDU	1			
13	032-00501-50	KEY	1		EX13/R	
13	90741-883-810	KEY 5X5X33	1		GX120/H	
14	4604-46640	WASHER, CLUTCH /MVR-65W	1			
15	0091-10025	SOCKET HEAD BOLT 8X25	1			
16	0701-00322	V-BELT RPF-3320	1			
17	4632-16120	DUST COVER /MVH-R60	1			
18	0920-06010	FLAT HEAD SCREW 6X10	4			
19	4633-42030	SPONGE, DUST COVER/MVH-R60	1			
20	4631-17140	BELT COVER /MVH-R60	1			
21	0091-10023	SOCKET HEAD BOLT 8X70 T	4			
23	4631-17130	GUARD FRAME, GX120/MVH-R60	1	!4631-17131		
23	4631-17131	GUARD FRAME, GX120/MVH-R60	1	!4631-17500	R60	
23	4631-22480	GUARD FRAME /R60HA	1		R60, 60A	
24	0012-21030	BOLT 10X30 T	4		#1	
24	0012-21230	BOLT 12X30 T	4		*1	
25	0302-10250	SW M10	4		#1	
25	0302-12300	SW M12	4		*1	
26	4633-42010	STAY(L), HANDLE/MVH-R60	1	SXY		
27	4633-42020	STAY(R), HANDLE/MVH-R60	1	!!4633-42021	#4 -L2376	
27	4633-42021	STAY(R), HANDLE/MVH-R60	1		*4 L2377-	

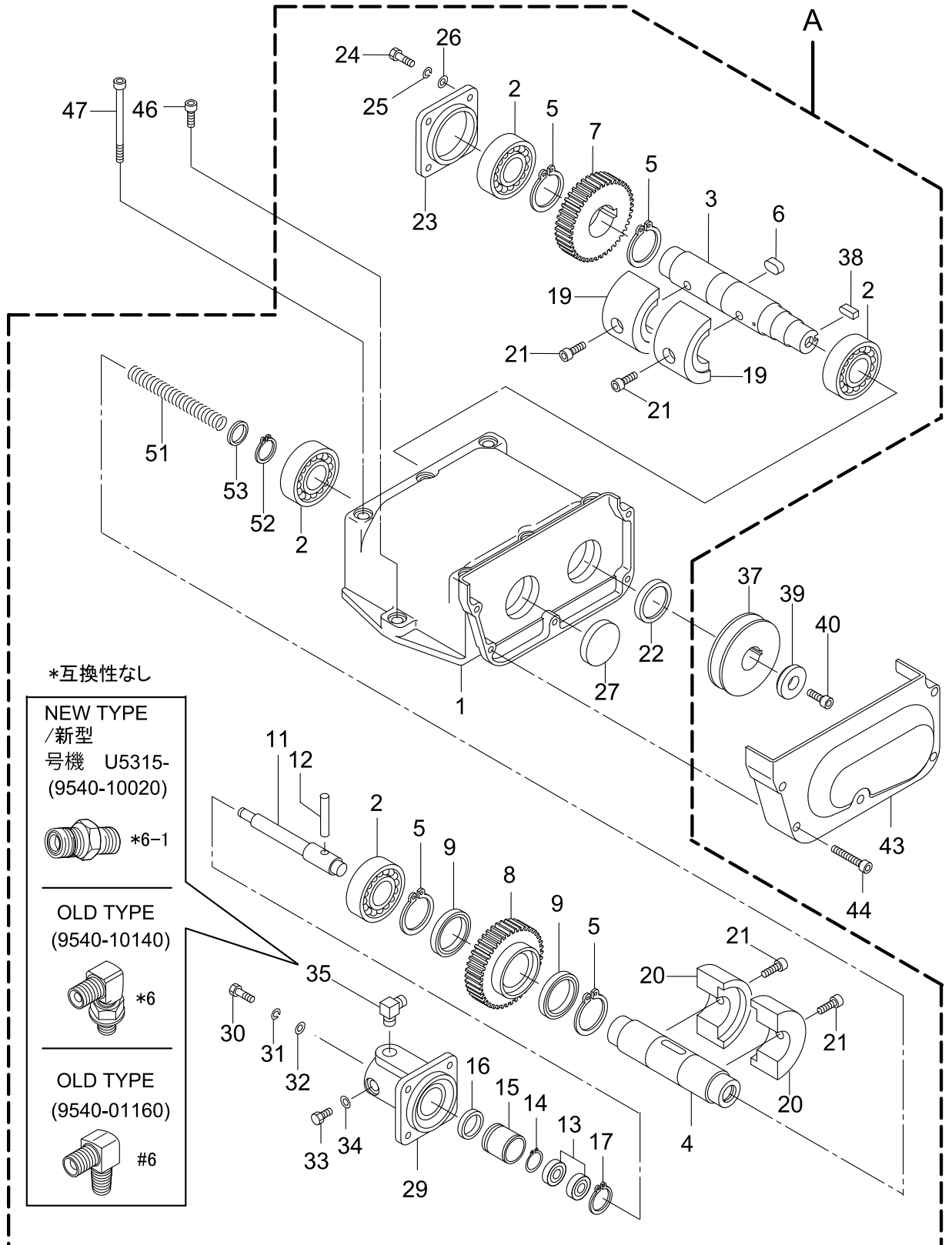
BODY

NO.	PART/NO.	PartsName	Q' TY	MK2	REMARKS	List Price
28	0012-21030	BOLT 10X30 T	4			
29	0302-10250	SW M10	4			
30	4589-10020	STOPPER & GRIP SET	1	!4589-10030	#4 -L2376	
30	4589-10030	STOPPER & GRIP SET	1		*4 L2377-	
31	4584-50880	SPRING 1.2-10-29 /MVH-120	1			
33	0254-02516	SPRING PIN 2.5X16	1			
35	4584-50830	RUBBER COVER /MVH-120	1			
36	4584-50810	PLATE, RUBBER COVER/MVH120	1			
37	0012-20825	BOLT 8X25 T	2			
38	0311-08160	PW M8	2			
39	0227-10809	NYLON NUT M8	2			
41	15550-ZK8-P90	DRAIN JOINT	2		E/G PARTS	
41	9544-07310	UNION, DRAIN /MVH-308	2		EX13	
42	15552-ZB9-000	DRAIN HOSE	1		E/G PARTS	
42	255-63801-03	DRAIN HOSE	1		EX13	
43	9540-10300	HOSE BAND 11.5D	2		GX	
43	9544-10120	HOSE CLAMP	2	S!9544-10140	EX13	
44	90601-ZE1-000	WASHER, DRAIN PLUG	3		E/G PARTS	
44	021-11400-20	GASKET	3		EX13	
45	90131-ZE1-000	BOLT, DRAIN PLUG	1		E/G PARTS	
45	040-11400-30	PLUG	1	S!9534-10280	EX13	
46	4594-62050	JOINT/MVH-100, 150	1			
46	4634-56860	DRAIN JOINT/R60(EX13)	1		EX13	
47	0012-20820	BOLT 8X20 T	1			
48	0302-08200	SW M8	1			
50	4631-17290	HOOK /MVH-R60L	1	!SD	OPTION	
51	0012-21235	BOLT 12X35 T	2		OPTION	
52	0302-12300	SW M12	2		OPTION	

VIBRATOR

MVH-R60/R60A/R60L/R60H
4. VIBRATOR/起振体

4 L L



VIBRATOR

NO.	PART/NO.	PartsName	Q' TY	MK2	REMARKS	List Price
A	4639-10030	VIBRATOR, AY/MVH-R60	1		-D1726	
A	4639-10070	VIBRATOR, AY/MVH-R60HA	1		D1727-	
1	4631-17150	VIBRATING CASE /MVH-R60	1			
2	0404-06206	BEARING 6206C4	4			
3	4633-42040	ROTARY SHAFT, DRIVE/R60	1			
4	4633-42050	ROTARY SHAFT, DRIVEN/R60	1			
5	0802-00350	STOP RING S-35	4			
6	9514-05460	KEY 10X8X19 RR	1			
7	4633-42060	GEAR(DRIVE)/MVH-R60	1			
8	4633-42070	GEAR(DRIVEN)/MVH-R60	1			
9	0403-06807	BEARING 6807C3	2			
11	4633-42080	PISTON ROD /MVH-R60	1			
12	0255-08045	PIN 8X45	1			
13	0425-06000	BEARING 6000ZZSG	2			
14	0802-00100	STOP RING S-10	1			
15	4554-35051	PISTON, 22.4D /MVH-200	1			
16	4550-10070	PACKING USH-22.4X30X5	1			
17	0801-00260	STOP RING R-26	1			
19	4634-55910	ECCENT. ROTATOR, DRIVE/R60	2			
20	4634-55920	ECCENT. ROTATOR, DRIVEN/R60	2			
21	0091-20304	SOCKET HEAD BOLT 10X25 T	4			
22	0602-02040	OIL SEAL SC-28458	1			
23	4634-55930	BEARING COVER /MVH-R60	1			
24	0012-20820	BOLT 8X20 T	4			
25	0302-08200	SW M8	4			
26	0311-08160	PW M8	4			
27	9534-05580	SEAL CAP SC-458 /MVR-65W	1			
29	4633-42090	CYLINDER(P1/4)R60OLD	1	!R000316	#6 -K2159	
29	4633-42091	CYLINDER(PF 1/4) /MVH-R60	1	!R000316	*6 EX K2160-	
29	4633-49940	CYLINDER SLIPPAGE TYPE	1		*6-1 U5307-	
30	0012-20820	BOLT 8X20 T	4			
31	0302-08200	SW M8	4			
32	0311-08160	PW M8	4			
33	0012-20812	BOLT 8X12 T	1			
34	9534-04600	COPPER PACKING 8.2X16X1.6	1			
35	9540-01160	ELBOW 90° PT1/4-PF1/4	1		#6	
35	9540-10140	ELBOW 90° UES90G02G02	1	!SD	*6 EX13	
35	9540-10020	CONNECTOR PT, PF1/4	1		*6-1 U5307-	
37	4633-42100	PULLEY 80D-A1 /MVH-R60	1			
38	9514-05240	KEY 7X7X19 R	1			
39	9524-06920	WASHER 9X(24-35)X10.5/R60	1			
40	0015-20815	SOCKET HEAD BOLT 8X15 T	1			
43	4632-16110	BELT COVER(LOWER)/MVH-R60	1	SX		
44	0015-20640	SOCKET HEAD BOLT 6X40 T	5			
46	0015-21030	SOCKET HEAD BOLT 10X30 T	2			
47	0015-21060	SOCKET HEAD BOLT 10X100 T	6			
51	4634-56200	SPRING 1.2X15.6X130	1	SS!	-D1726	

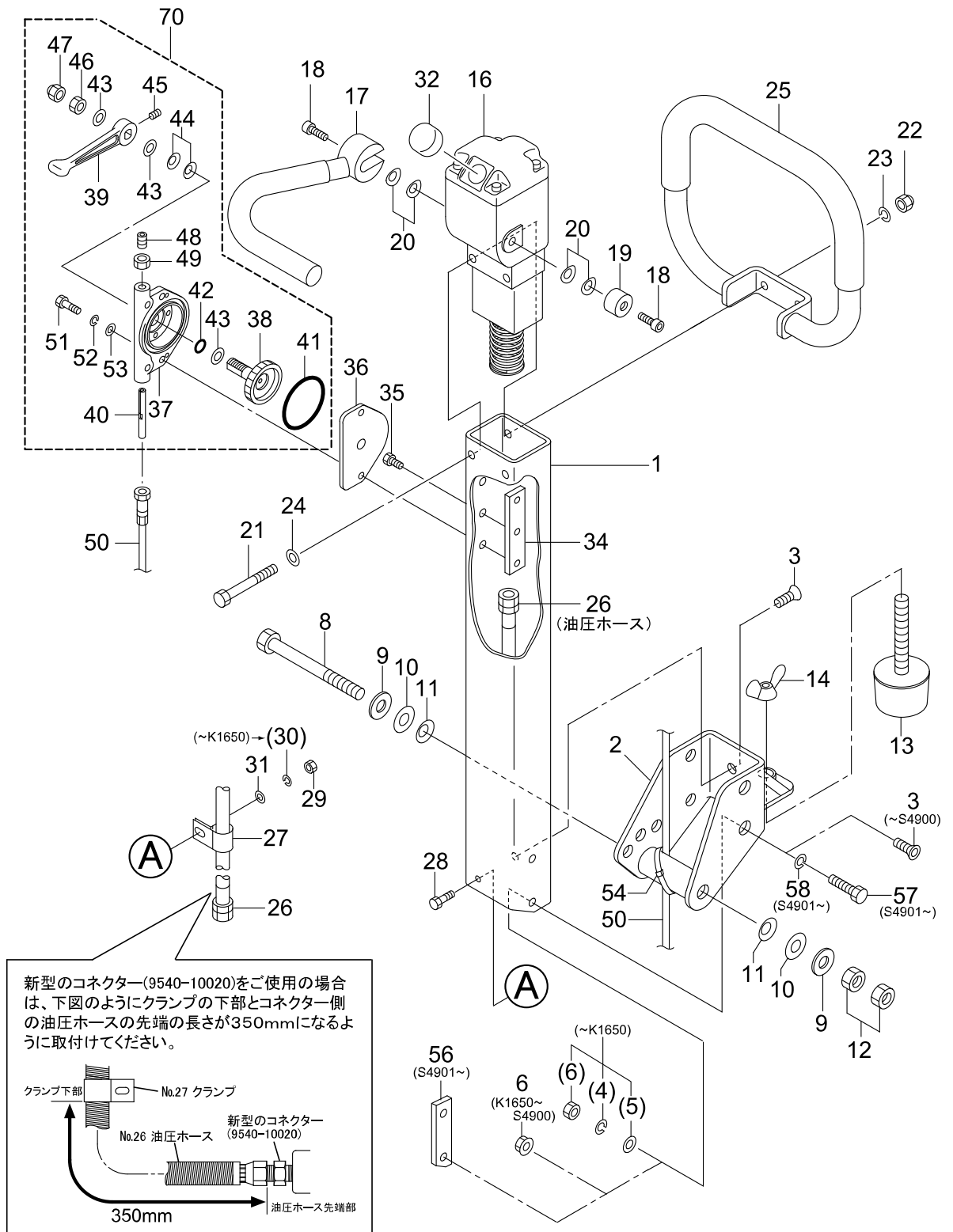
VIBRATOR

NO.	PART/NO.	PartsName	Q' TY	MK2	REMARKS	List Price
51	4634-71200	SPRING 1.2D /VIBRATOR/R60	1		D1727-	
52	0801-00190	STOP RING R-19	1			
53	0311-08160	PW M8	1			
60	9540-01040	CAP PF1/4	1			

CONTROL

MVH-R60/R60A/R60L/R60H
5. CONTROL / 操作

4 LM



CONTROL

NO.	PART/NO.	PartsName	Q' TY	MK2	REMARKS	List Price
1	4633-42110	HANDLE /MVH-R60	1	SX	JP	
1	4633-42849-OR	HANDLE /MVH-R60-OR/MQ, EXP	1		MQ	
1	4633-42840-GR	HANDLE /MVH-R60-GR/EXP	1		EXP, S4816-	
1	4633-42849-OR	HANDLE /MVH-R60-OR/MQ, EXP	1		EXP, S4816-	
2	4633-42120	BRACKET, HANDLE /MVH-R60	1	!R331	JP, -S4900	
2	4633-42860	BRACKET, HANDLE/R60/MQ, EXP	1	!R000215	MQ, -S4900	
2	4633-42860	BRACKET, HANDLE/R60/MQ, EXP	1	!R000215	EXP, -S4900	
2	4633-48770	BRACKET HANDLE/R60A/JP	1		JP, S4901-	
2	4633-48780-OR	BRACKET HANDLE/R60A/EXP-OR	1		S4901-/OR	
2	4633-48789-GR	BRACKET HANDLE/R60A/EXP	1		S4901-/GR	
3	0091-20408	SUNK HEAD BOLT 8X20 T	5		-S4900	
3	0091-20408	SUNK HEAD BOLT 8X20 T	1		S4901-	
4	0302-08200	SW M8	5		#2	
5	0311-08160	PW M8	5		#2	
6	0203-08060	NUT M8	5		#2	
6	0226-10808	FLANGE NUT M8 H	5		*2, -S4900	
6	0226-10808	FLANGE NUT M8 H	1		S4901-	
8	0012-21464	BOLT 14X120 T	1			
9	0311-14260	PW M14	2			
10	4584-50660	WASHER 16.4-35-0.6/MVH120	2			
11	0321-14250	CONICAL SPRING WASHER M14	2			
12	0203-14110	NUT M14	2			
13	9390-10220	SHOCK ABSORBER, STOPPER	1			
14	0229-10220	WING NUT M12	1			
16	4633-42190	HAND PUMP AY /MVH-R60	1	SS!		
17	4633-42130-OR	TRAVEL LEVER(OR) /MVH-R60	1		EXP/OR	
17	4633-42130-GR	TRAVEL LEVER(GR) /MVH-R60	1		JP/EXP/GR	
18	0015-20820	SOCKET HEAD BOLT 8X20 T	2			
19	4584-51420	COLLAR /MVH-120	1			
20	0339-10030	WAVE WASHER 15.5X20X0.3	4			
21	0012-20854	BOLT 8X70 T	2			
22	0221-30806	CAP NUT M8	2			
23	0302-08200	SW M8	2			
24	0311-08160	PW M8	2			
25	4633-42140	HANDLE GRIP, JAPAN/MVH-R60	1		JP/GR	
25	4633-42159-OR	HANDLE GRIP-OR(EXP)/MVH-R60	1		EXP/OR	
25	4633-42150-GR	HANDLE GRIP-GR(EXP)/MVH-R60	1		EXP/GR	
26	9540-02240	OIL HOSE 740L /MVH-R60	1			
26	9540-02621	OIL HOSE 780L /MVH-R60	1	!9540-02250	*3 MQ, LH	
26	9540-02250	OIL HOSE 790L /MVH-R60	1		*5 MQ, LH	
27	9544-04230	CLAMP SA120-18	1			

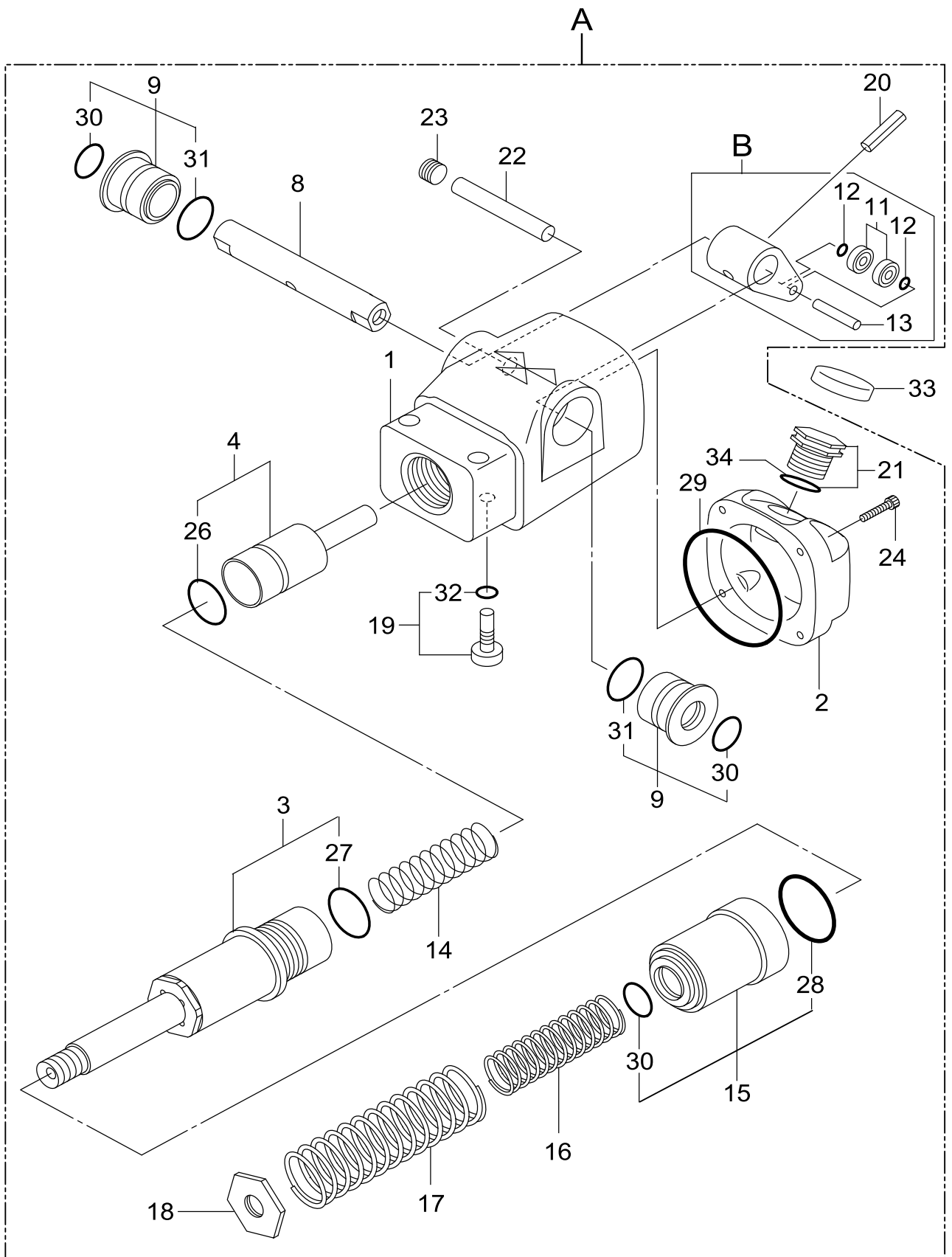
CONTROL

NO.	PART/NO.	PartsName	Q' TY	MK2	REMARKS	List Price
28	0012-20620	BOLT 6X20 T	1			
29	0203-06050	NUT M6	1			
30	0302-06150	SW M6	1		#3 -1650	
31	0311-06100	PW M6	1			
32	4634-55940	BREATHER CAP /MVH-R60	1			
34	4634-55960	THROTTLE NUT /MVH-R60	1			
35	0015-20510	SOCKET HEAD BOLT 5X10 T	1			
36	4634-55950	SPACER, THROTTLE /MVH-R60	1			
37	3623-41550	THROTTLE BODY /MT-55	1			
38	3629-10090	THROTTLE, GEAR CP, W/BOLT	1			
39	3624-55630	THROTTLE LEVER /MT-55	1			
40	3624-55620	SLIDER /MT-55	1			
41	0501-00450	O-RING G-45	1			
42	0502-00100	O-RING P-10	1			
43	0311-10160	PW M10	3			
44	0321-10180	CONICAL SPRING WASHER M10	2			
45	0962-06006	SOCKET HEAD SCREW 6X6	1			
46	0204-10060	NUT M10, H=6	1			
47	0221-31008	CAP NUT M10	1			
48	0962-08020	SOCKET HEAD SCREW 8X20	1			
49	0204-08050	NUT M8, H=5	1			
50	9561-00041	THROTTLE WIRE 795-875/JP	1		JP	
50	9561-00047	THROTTLE WIRE 845-925/EXP	1		MQ	
50	9561-00047	THROTTLE WIRE 845-925/EXP	1		EXP, S4816-	
51	0012-20625	BOLT 6X25 T	2			
52	0302-06150	SW M6	2			
53	0311-06100	PW M6	2			
54	5110-10040	CLAMP TC-300	1			
56	4634-62920	HANDLE MOUNT NUT/R60	2		S4901-	
57	0012-20820	BOLT 8X20 T	4		S4901-	
58	0302-08200	SW M8	4		S4901-	
70	3629-10060	THROTTLE LEVER AY /MT-55	1			
80	9540-01070	CAP PF1/4	1			

HANDPUMPASSY

MVH-R60/R60A/R60L/R60H
7. HAND PUMP ASS'Y / ハンドポンプア

4 L R O



HANDPUMPASSY

NO.	PART/NO.	PartsName	Q' TY	MK2	REMARKS	List Price
A	4633-42190	HAND PUMP AY /MVH-R60	0	SS!		
B	4630-10100	CAM COMP /MVH-R60	0		INCL. 10-13	
1	4630-10110	PUMP BODY /MVH-R60	1	SS!		
2	4630-10120	COVER (PUMP) / MVH-R60	1	SX		
3	4630-10130	CYLINDER CP(PUMP)/MVH-R60	1	SX	INCL, 27	
4	4630-10140	PISTON CP (PUMP) /MVH-R60	1	SX	INCL, 26	
8	4630-10150	CONTOROL SHAFT (PUMP)/R60	1			
9	4630-10160	BUSH	2		INCL, 30. 31	
11	0420-00695	BEARING 695ZZ	2			
12	4630-10180	SPACER	2			
13	4630-10190	PIN 5X25	1			
14	4630-10200	PISTON SPRING (PUMP) /R60	1	SX		
15	4630-10210	ACCUMULATOR CASE(PUMP)R60	1	SX	INCL, 28. 30	
16	4630-10220	SPRING A (PUMP)/MVH-R60	1	SX		
17	4630-10230	SPRING B (PUMP)/MVH-R60	1	SX		
18	4630-10240	SPRING WEIGHT (PUMP) /R60	1	SX		
19	4630-10250	STOP PLUG (PUMP)	1			
20	0254-06025	SPRING PIN 6X25	1			
21	4630-10260	BREATHER (PUMP) /MVH-R60	1	SX	INCL. 21, 34	
22	4630-10270	STOPPER (PUMP) /MVH-R60	1	SX		
23	4630-10280	PLUG(PUMP)	1	S!5060-10160		
24	0015-20520	SOCKET HEAD BOLT 5X20 T	4			
26	0502-00210	O-RING P-21	1			
27	0503-00280	O-RING S-28	1			
28	0501-00300	O-RING G-30	1			
29	0503-00560	O-RING S-56	1			
30	0502-00150	O-RING P-15	3			
31	0502-00200	O-RING P-20	2			
32	0503-00080	O-RING S-8	1			
33	4634-55940	BREATHER CAP /MVH-R60	1			
34	0502-00140	O-RING P-14	1			

HOOK_SPRINKLINGEQUIPMENT

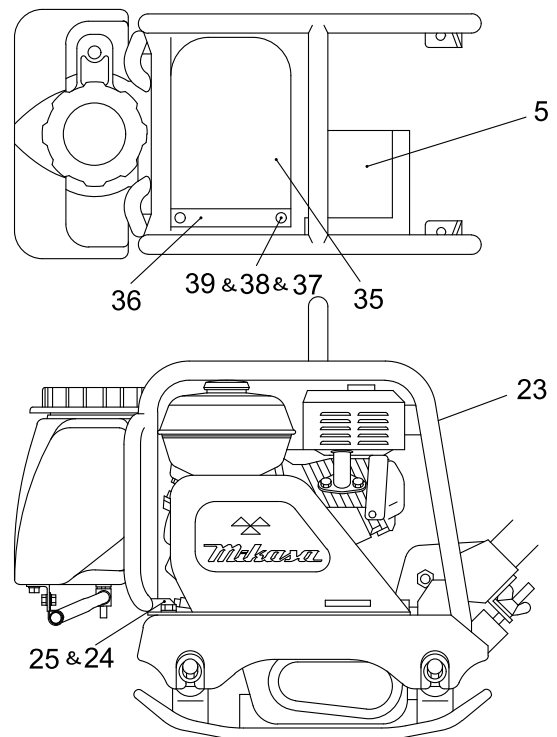
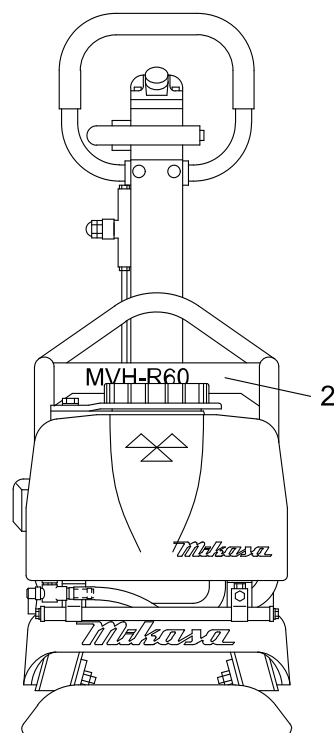
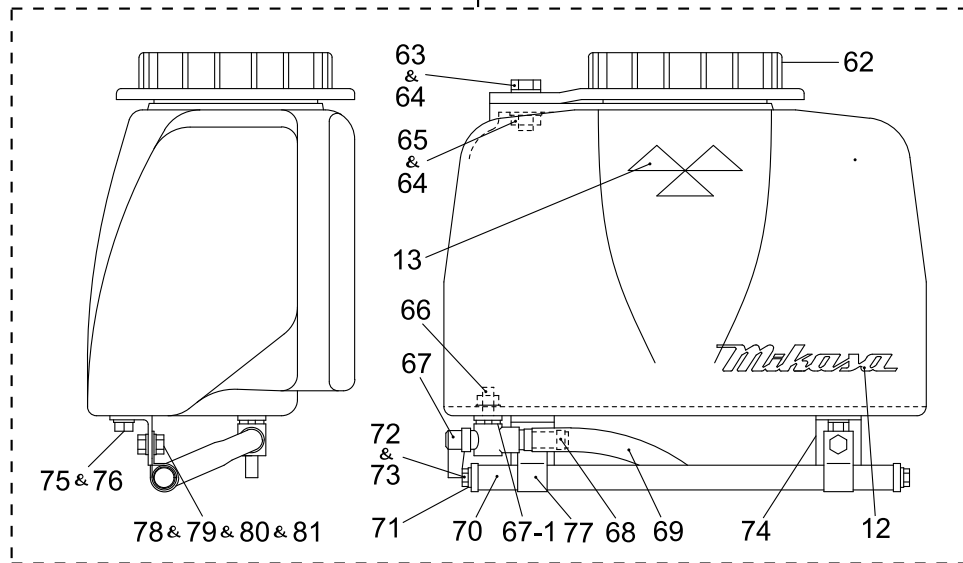
MVH-R60A/R60H

4 L X

6. HOOK & SPRINKLING EQUIPMENT

フック&散水装置

タンクセット(製品)
製品コード No. 452981



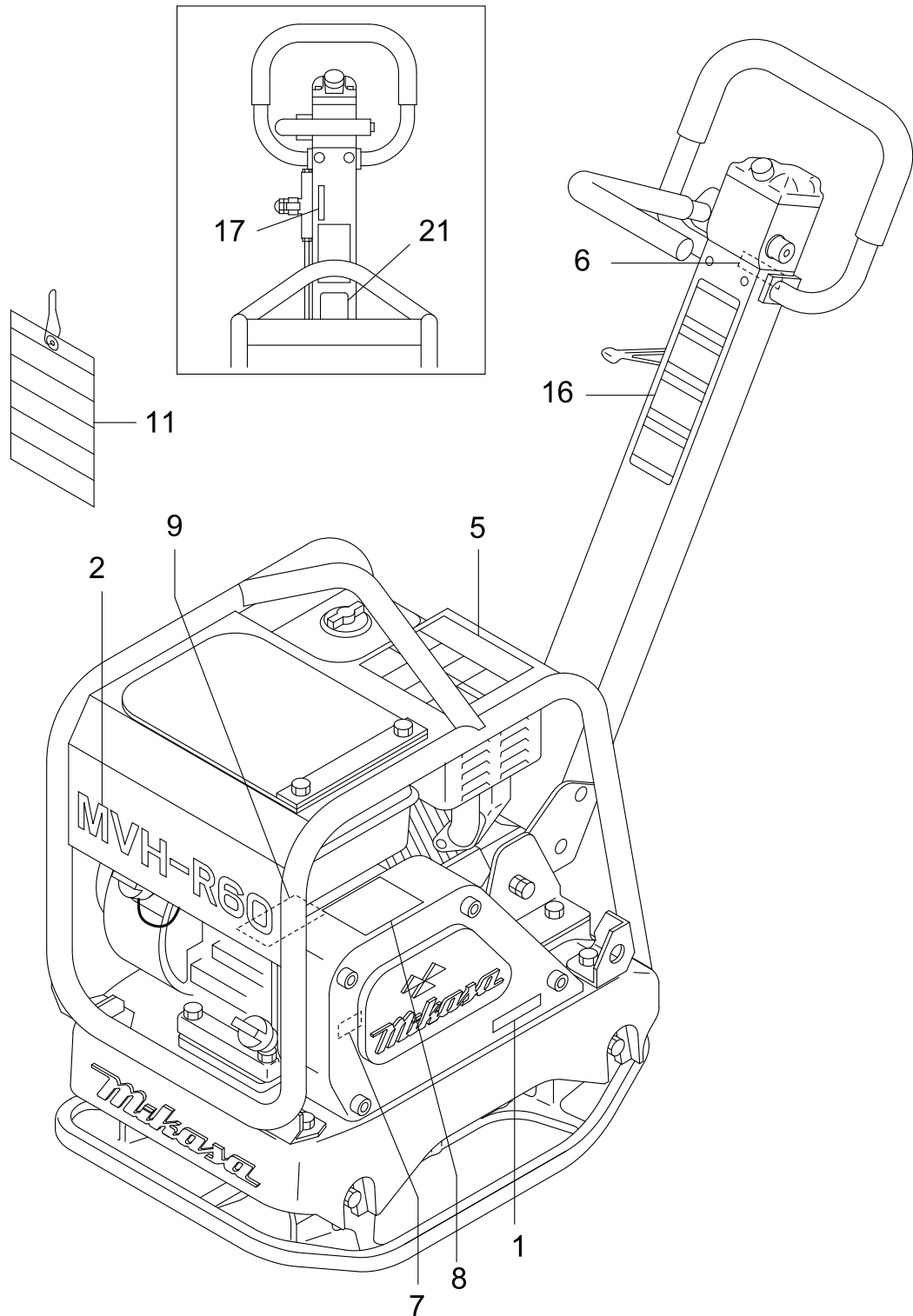
HOOK_SPRINKLINGEQUIPMENT

NO.	PART/NO.	PartsName	Q' TY	MK2	REMARKS	List Price
2	9201-10000	DECAL, MODEL MVH-R60	1			
5	9201-09990	DECAL, CAUTION	1		JPN	
5	9202-09620	DECAL, CAUTION/R60 ENGLISH	1		EXP	
12	9201-13430	DECAL, MIKASA MARK 125MM	1			
13	9201-08850	DECAL, M-MARK Y-40X80	1			
23	4631-22480	GUARD FRAME /R60HA	1			
24	0012-21230	BOLT 12X30 T	4			
25	0302-12300	SW M12	4			
35	4584-50830	RUBBER COVER /MVH-120	1			
36	4584-50810	PLATE, RUBBER COVER/MVH120	1			
37	0012-20825	BOLT 8X25 T	2			
38	0311-08160	PW M8	2			
39	0227-10809	NYLON NUT M8	2			
62	9543-00343	CAP, WATER TANK(NBR)	1			
63	0012-41030	BOLT 10X30 U	1			
64	0339-10160	PW M10(SUS)	2			
65	0229-10270	NUT M10(SUS)	1			
66	0226-10808	FLANGE NUT M8 H	1			
67	9544-07090	COOK / ANGLE TYPE M8	1	SX		
67-1	9534-07410	PACKING, 8X15X2T	1			
68	9544-05680	CONNECTOR 1/4X10	1			
69	4634-56580	WATER HOSE / MVH-R60	1			
70	4639-10050	SPRINKLING PIPE AY 8H/R60	1		INCL. 71	
71	5159-10050	CAP AY, W/BOLT, WASHER /MRH	2		INCL. 72-73	
72	0012-20620	BOLT 6X20 T	2			
73	0311-06100	PW M6	2			
74	4634-56570	L TYPE STAY / MVH-R60	2			
75	0012-20815	BOLT 8X15 T	2			
76	0302-08200	SW M8	2			
77	9544-04230	CLAMP SA120-18	2			
78	0012-20615	BOLT 6X15 T	2			
79	0311-06100	PW M6	2			
80	0203-06050	NUT M6	2			
81	0302-06150	SW M6	2			

NAMEPLATES

MVH-R60 / R60A / R60L / R60H
1.NAME PLATES / 銘板

4L00



NAMEPLATES

NO.	PART/NO.	PartsName	Q' TY	MK2	REMARKS	List Price
1	9202-07420	DECAL, V-BELT RPF-3320	1		IMER 2002/9-	
1	9202-07420	DECAL, V-BELT RPF-3320	1		2002/9-	
2	9201-10000	DECAL, MODEL MVH-R60	1			
5	9201-09990	DECAL, CAUTION	1		JAPANESE	
5	9202-09620	DECAL, CAUTION/R60 ENGLISH	1		ENGLISH	
5	9202-09760	DECAL, CAUTION/R60 FRENCH	1		FRENCH	
5	9202-09900	DECAL, CAUTION(5COUNTRIES)	1		EXPORT	
6	9201-08810	DECAL, OIL (SHELTERAS46/JP	1		JAPANESE	
6	9202-07480	DECAL, SHELL TELLUS OIL 46	1		IMER 2002/9-	
7	9202-01950	DECAL, OIL SAE 10W-30	1		ENGLISH	
7	9202-08950	DECAL, OIL SAE 10W-30	1		FR 2002/9-	
8	9202-01580	DECAL, MQ MARK 71X55	1		FOR MQ	
8	9202-07820	DECAL, IMER	1	0JH	FOR IMER	
9	9202-09670	PLATE, SERIAL NO. /MVH-R60	1	!SD	JPN	
9	9202-10010	PLATE, SERIAL NO. / EU	1	!SD	EXP 2002/9-	
9	9202-09690	DECAL, SERIAL NO. /R60 MQ	1	!SD	FOR MQ	
9	9202-09680	DECAL, SERIAL NO. /R60 FRN	1	!SD	IMER 2002/9-	
9	9202-10000	PLATE, SERIAL NO. /MVH-R60L	1	!SD	JAPAN/OPTION	
9	9202-10680	PLATE, SERIAL NO. /MVH-R60E	1	!SD	EX13/JPN	
9	9202-11880	PLATE, SERIAL NO. /R60E(5C0	1	!SD	EX13/EXP	
11	9202-00870	DECAL, WITHOUT ENGINE OIL	1	!SD	EXPORT	
16	9201-10080	DECAL, CAUTION/MVH-R60	1		JAPAN/OPTION	
16	9202-09890	DECAL, CAUTION(ICON)/R60	1		EXPORT	
17	9201-09981	DECAL, LEVER OPERATION	1		JAPAN	
21	9202-10100	DECAL, EC NOISE REQ.LWA108	1		EU -K2100	
21	9202-10330	DECAL, EC NOISE REQ.LWA105	1		EU K2101-	