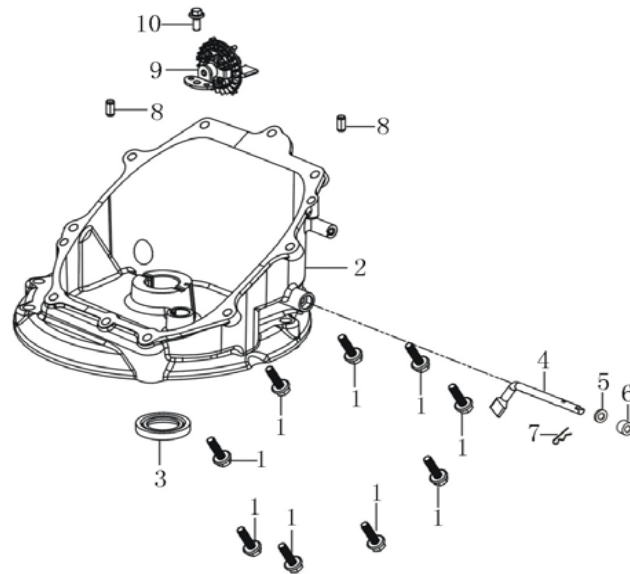


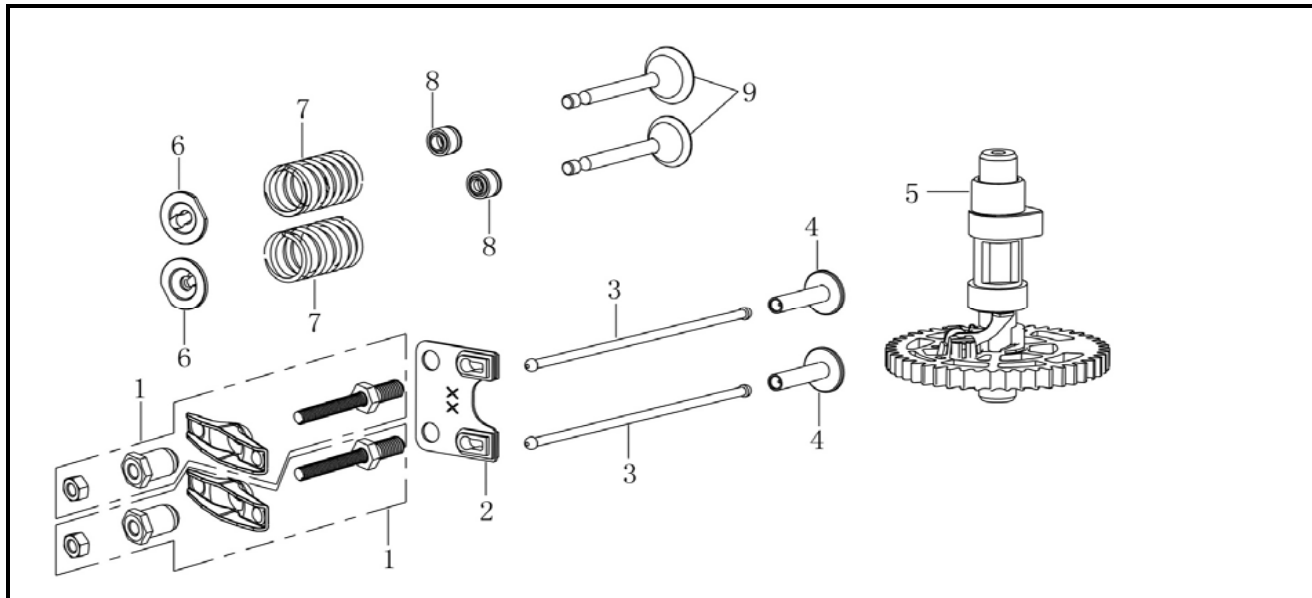
CRANK CASE

No.	Part No.	Description	Reqd. QTY
1	U065-FA001	Hexagon shaft shoulder bolt	4
2	U065-FE002	Cylinder head cover	1
3	U065-FE003	Gasket for cylinder head cover	1
4	U065-FA004	Spark plug	1
5	U065-FE001	Crankcase body	1
6	U065-FA016	Oil seal	1
7	U065-FA097	Hexagon bolt with flange	3
8	U065-FE084	CAP, BREATHER CHAMBER	1
9	U065-FE085	PACKING, BREATHER CHAMBER	1
10	U065-FA017	Leaf valve	1
11	U065-FE086	Hexagon bolt with flange	1
12	U065-FE054	Stay stud	1
13	U065-FE052	Stay stud	2
14	U065-FE087	Stud	2



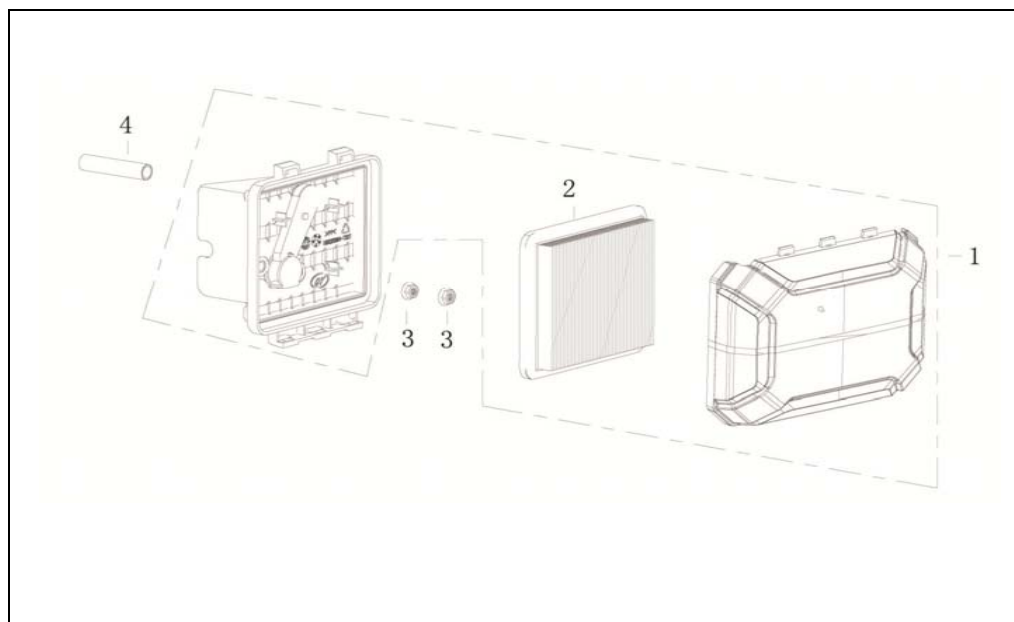
Crankcase cover

No.	Part No.	Description	Reqd. QTY.
1	U065-FE091	Hexagon bolt with flange	9
2	U065-FE092	Crankcase cover	1
3	U065-FA033	Oil seal	1
4	U065-FE093	Speed regulating arm	1
5	U065-FA027	Flat washer	1
6	U065-FA028	Oil seal	1
7	U065-FA029	Pin clip	1
8	U065-FE094	ocation pin	2
9	U065-FE095	Components of governor gear	1
10	U065-FE016	Hexagon bolt with flange	1



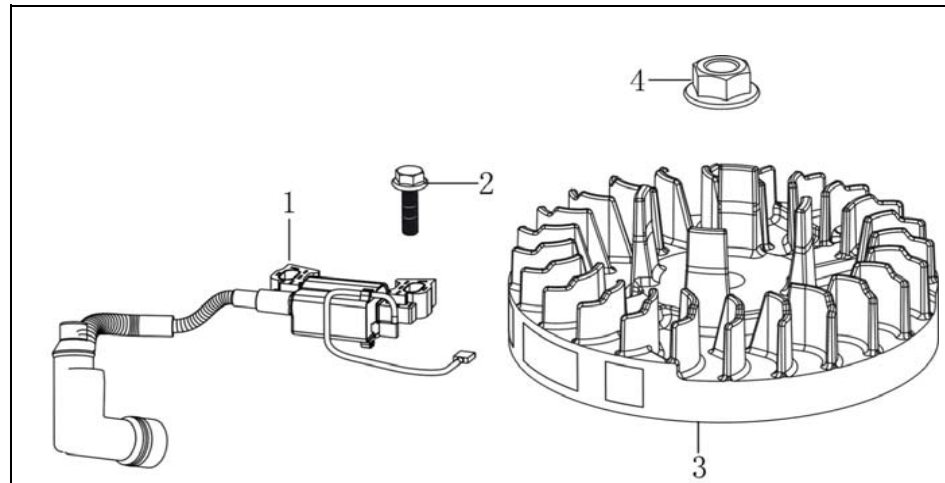
CAMSHAFT

No.	Part No.	Description	Reqd. QTY.
1	U065-FE004	Valve rocker combination	2
2	U065-FE101	Plate, push rod guide	1
3	U065-FA058	Push rod	2
4	U065-FE103	Lifter, Valve	2
5	U065-FE104	Camshaft assy	1
6	U065-FA054	Retainer, valve spring	2
7	U065-FE007	Inner spring of valve	2
8	U065-FE102	Valve oil seal	2
9	U065-FA056	Valve Kit	1



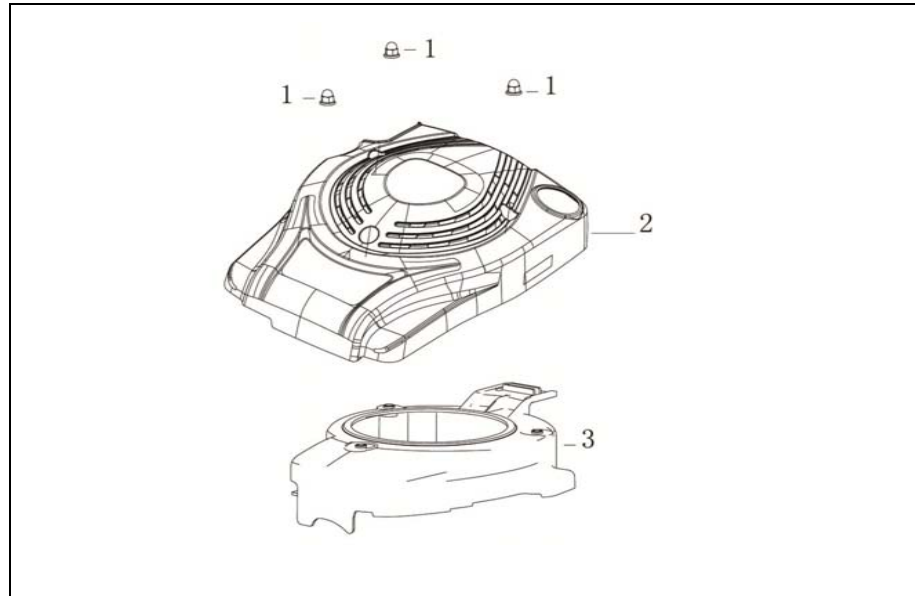
AIR CLEANER

No.	Part No.	Description	Reqd. QTY.
1	U065-FE113	Air filter	1
2	U065-FA087	Air filter element	1
3	U065-FA065	Hexagon nut with flange	2
4	U065-FE114	Breather tube	1



FLYWHEEL/IGNITION COMP

No.	Part No.	Description	Reqd. QTY.
1	U065-FE110	COIL ASSY., IGNNTION	1
2	U065-FE091	Hexagon bolt with flange	1
3	U065-FE112	FLYWHEEL COMP	1
4	U065-FA085	Hexagon nut with flange	1



STARTER

No.	Part No.	Description	Reqd. QTY.
1	U065-FE105	Cap nut	3
2	U065-FE106	Starter decoration cover	1
3	U065-FE107	Fan cover comp.	1

