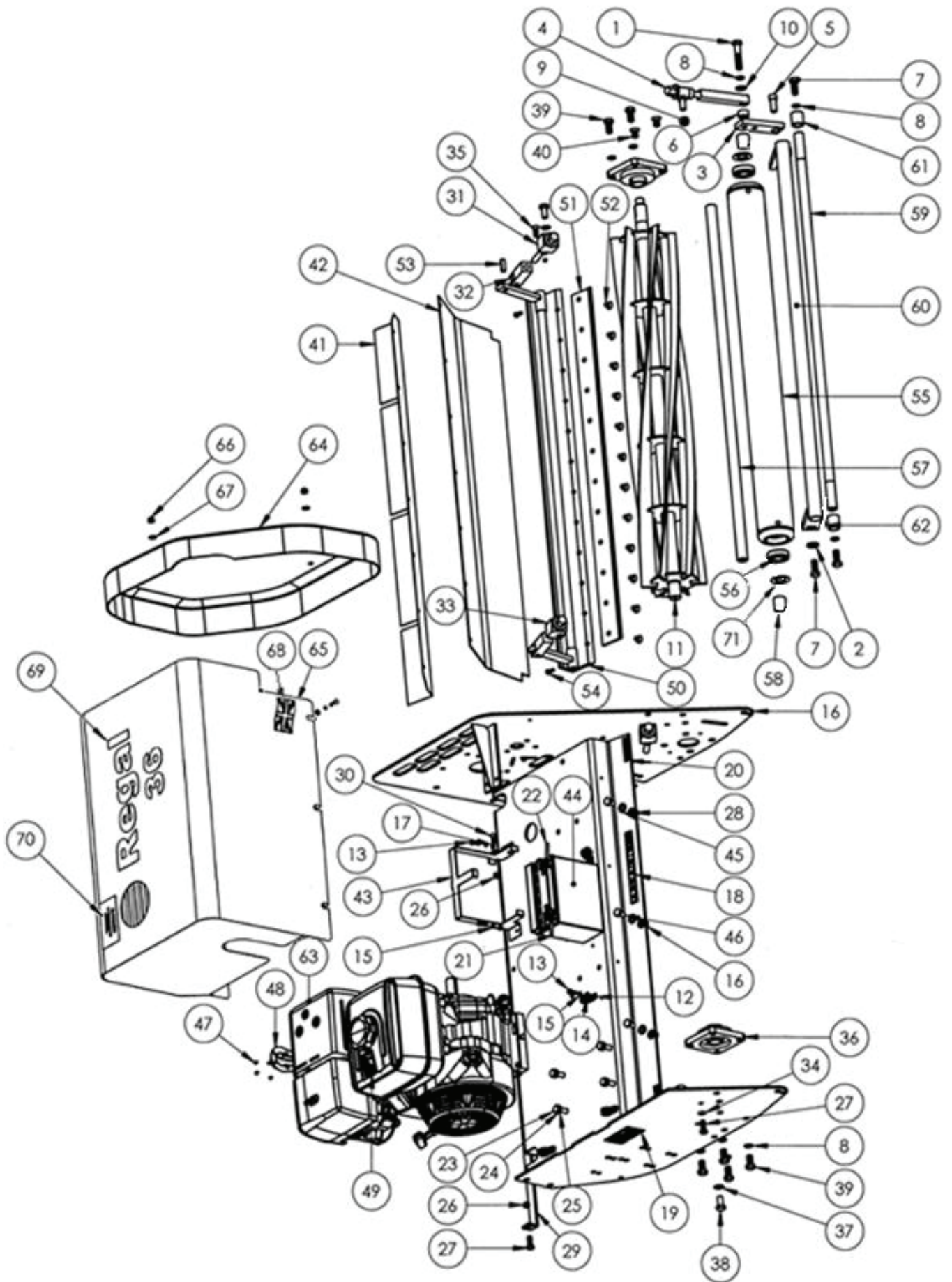


**Regal 36" & 42"**

**PARTS SECTION**

MODEL REGAL 36" & 42":- Mainframe Assembly (FIG 1)

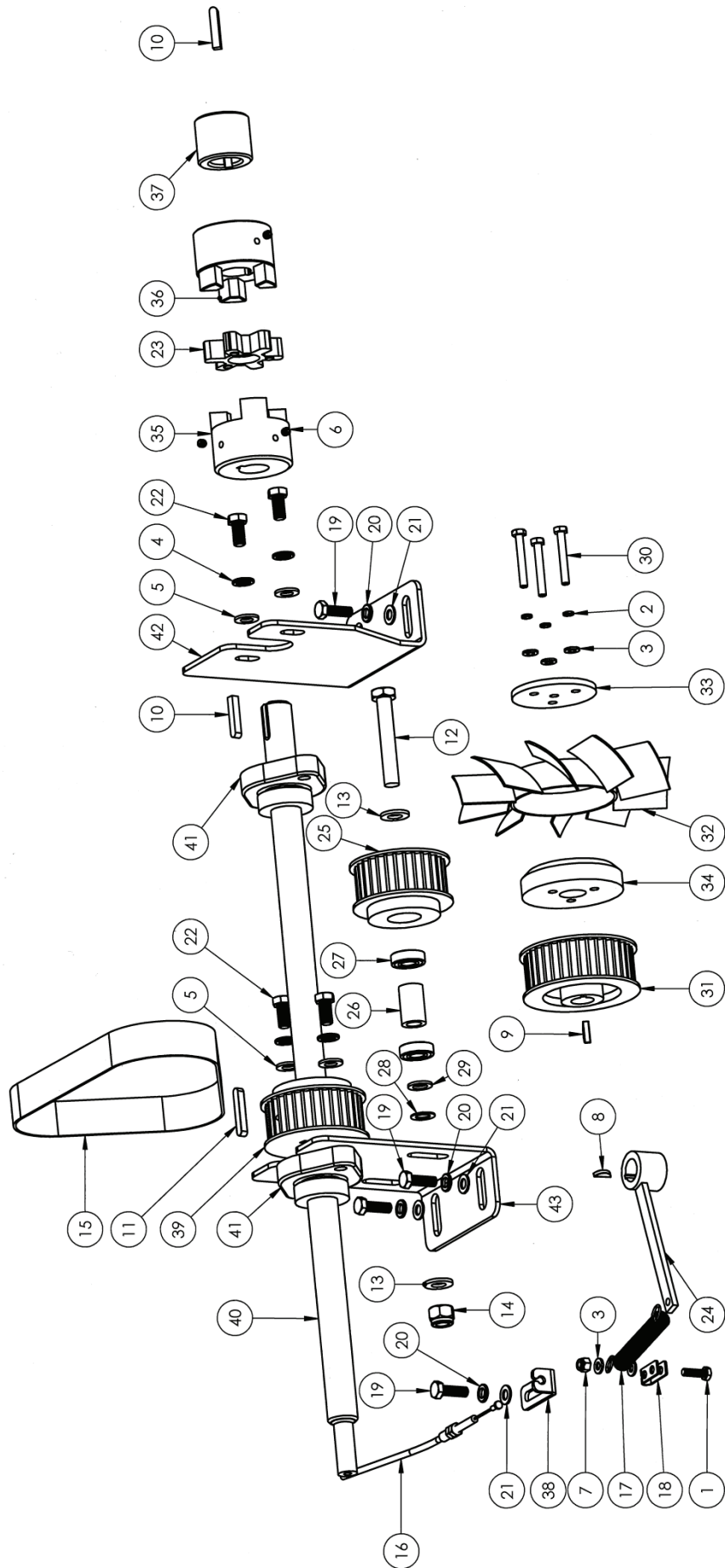


## MODEL REGAL 36" & 42":- Mainframe Assembly BOM (FIG 1)

ITEM NO.	DESCRIPTION	PART 36"	PART 42"	USED
1	1/2" x 2 1/2" UNF SET SCREW	B11006		1
2	1/2" UNF WASHER	W11014		1
3	HEIGHT ADJUSTER PLATE	AFK058		1
4	FRONT ROLLER ADJUSTER ASSY	AFK027		1
5	SCREW CAP HEAD 1/2 UNF x 1 1/4 ZC	S11022		1
6	HEIGHT ADJUSTER BOSS	AFK1067		1
7	1-2" X 1 & 1-4" SET SCREW	S11013		3
8	1-2" SPRING WASHER			9
9	1/2" UNF NYLOC NUT			1
10	WASHER M12	WM12		1
11	CYLINDER	AM81457	AM81497	1
12	CABLE CLIP	AM81048		4
13	M6 x 20 SET SCREW	SM620		11
14	WASHER M6	WM6		8
15	SPRING WASHER M6	SWM6		11
16	REGAL CHASSIS	AFK201	AFK202	1
17	WASHER M6 FORM A	WM6A		3
18	CYLINDER BLADE CAUTION DECAL SMALL	AM81541		1
19	CE PLATE	T000333		1
20	BOTTOM BLADE ADJUSTMENT DECAL	AM81540		2
21	NEGATIVE BATTERY LEAD	AFK1430		1
22	POSITIVE BATTERY LEAD	AFK1431		1
23	M10 x 40 SET SCREW	SM1040		4
24	M10 SPRING WASHER	SWM10		4
25	M10 FLAT WASHER	WM10		4
26	NUT M8 NYLOC	NNM8		2
27	SET SCREW 3-8 UNF x 1 ZC	S11014		2
28	WASHER M10 FORM Z/C	WM10		3
29	SCRAPER BAR REAR ROLL	AFK1223		1
30	3/8 UNF x 3/4 CSK SLOTTED	S11052		1
31	BOTTOM BLADE ADJUSTER LH	AFK004		1
32	ADJUSTER FORK	AFK1036		2
33	BOTTOM BLADE ADJUSTER RH	AFK105		1
34	3/8 WASHER			1
35	SCREW 3-8 UNF x 1 CSK	S11010		1
36	BEARING FLANGED 12SF 1 1/8"	AM81010		2
37	SPRING WASHER M12 Z/C	SWM12		2
38	M12 x 25 SET SCREW	SM1225		2
39	1/2" x 1" UNF SET SCREW	S11018		6
40	1/2" UNF X 3/4" CSK	S11033		2
41	DELIVERY BRACKET	AFK1029	AFK1031	1
42	DELIVERY PLATE 36	AFK1030	AFK1032	1
43	BATTERY STRAP	AFK1414		1
44	BATTERY	AM81475		1
45	M10 SPRING WASHER	SWM10		3
46	SET SCREW M10 x 20	SM1020		3
47	4 x 6 TAPPING SCREW			4
48	EXHAUST DEFLECTOR	AM81495		1
49	DECAL 100dB	AM81434		1
50	BOTTOM BLADE CARRIER FAB	AFK022	AFK110	1
51	BOTTOM BLADE	AM82109	AM92084	1
52	BOTTOM BLADE SCREW 3/8"	S11051		12
53	ROLL PIN M10 x MBK x 30	AM89341		2
54	SET SCREW M6 x 16	SM616		2
55	FRONT ROLLER TUBE ASSY 36"	AFK279	AFK278	1
56	BEARING 25mm	AM85314		2

57	FRONT ROLLER SHAFT	AFK1526	AFK1527	1
58	FRONT ROLLER SPACER	AFK1525		2
59	FRONT ROLLER CARRIER SHAFT	AFK1196	AFK1197	1
60	FRONT ROLLER HEIGHT ADJUSTER	AFK010	AFK027	1
61	OILITE BUSH 7/8 X 1 1/8 x 1 1/4LG	AM82118		2
62	SET SCREW M6 x 25 ZC	SM625		2
63	HONDA GX340 ENGINE	GX340		1
64	REGAL CHAINCASE	AFK002		1
65	TUNNEL COVER	AFK204	AFK205	1
66	NUT M8 NYLOC	NNM8		2
67	M8 PLAIN WASHER	WM8		2
68	UNION FLAG DECAL	AM81525		1
69	REGAL DECAL	AM81614	AM81615	1
70	LABEL CAUTION	AM81219		1
71	OIL SEAL 52x30x7	AM81608		2

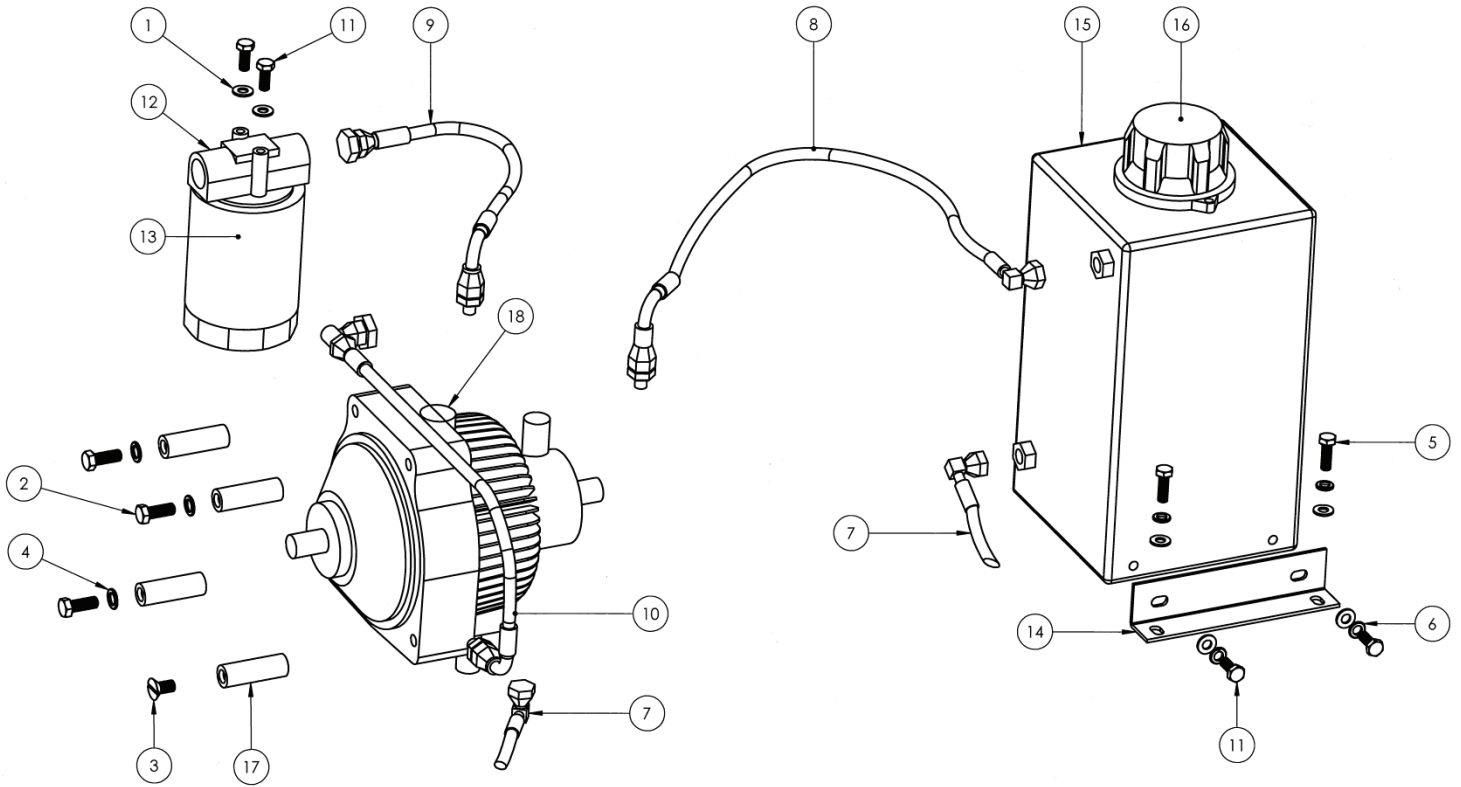
# MODEL REGAL 36" & 42" :- Drive Shaft Assembly (FIG 2)



## MODEL REGAL 36" & 42":- Drive Shaft Assembly BOM (FIG 2)

ITEM NO.	DESCRIPTION	PART 36"	PART 42"	USED
1	M6 x 20 SET SCREW	SM620		1
2	SPRING WASHER M6	SWM6		3
3	WASHER M6 FORM A	WM6A		5
4	M10 SPRING WASHER	SWM10		4
5	M10 FLAT WASHER	WM10		4
6	M6 x 6 GRUBSCREW	ACGM6		4
7	NUT M6 NYLOC	NNM6		1
8	KEY 5/8 x 1/8 WOODRUFF	K5-5		1
9	KEY 3/4 x 3/15 WOODRUFF	AM81113		1
10	KEY 1/4 Sq x 32 LONG	AM81012		2
11	KEY 1/4 x 1 1/2	AM81112		1
12	M12 BOLT/SET SCREW	SM1275		1
13	M12 WASHER FORM A	WM12A		2
14	NUT M12 NYLOC	NNM12		1
15	TIMING BELT REGAL	AM81105		1
16	CABLE CUTTER CLUTCH	AFK1367		1
17	SPRING	ACS007		1
18	YOKE ANCHOR POINT	BSG1024		1
19	M8 x 25 SET SCREW	SM825		5
20	SPRING WASHER	SWM8		5
21	M8 FLAT WASHER	WM8		5
22	3/8 x 3/4 UNF	S11011		4
23	L100 BHUNA INSERT	AM81490		1
24	HYDROSTAT LINKAGE FAB	AFK235		1
25	IDLER PULLEY	AFK1333		1
26	IDLER PULLEY BEARING SPACER	AFK1332		1
27	BEARING 12mm 6001 2RS	AM82104		2
28	SPACER	AFK1354		1
29	SPACER	AFK1355		1
30	SET SCREW M6 x 45 ZC	SM645		3
31	HYDROSTAT PULLEY	AFK1330		1
32	HYDROSTAT FAN	AM87456		1
33	HYDRO FAN SUPPORT PLATE	AFK1338		1
34	FAN SPACER	AFK1324		1
35	JAW COUPLING LAYSHAFT	AFK1418		1
36	JAW COUPLING ENGINE	AFK1417		1
37	ENGINE SPACER	AFK1416		1
38	BABLE BRACKET	AFK1378		1
39	DRIVE SHAFT PULLEY	AFK1329		1
40	LAYSHAFT	AFK1415	AFK1419	1
41	BEARING	AM81009		2
42	SHAFT SUPPORT PLATE	AFK1428		1
43	SHAFT RETAINING PLATE	AFK1311		1

**MODEL REGAL 36" & 42":- Hydraulic Assembly (FIG 3)**

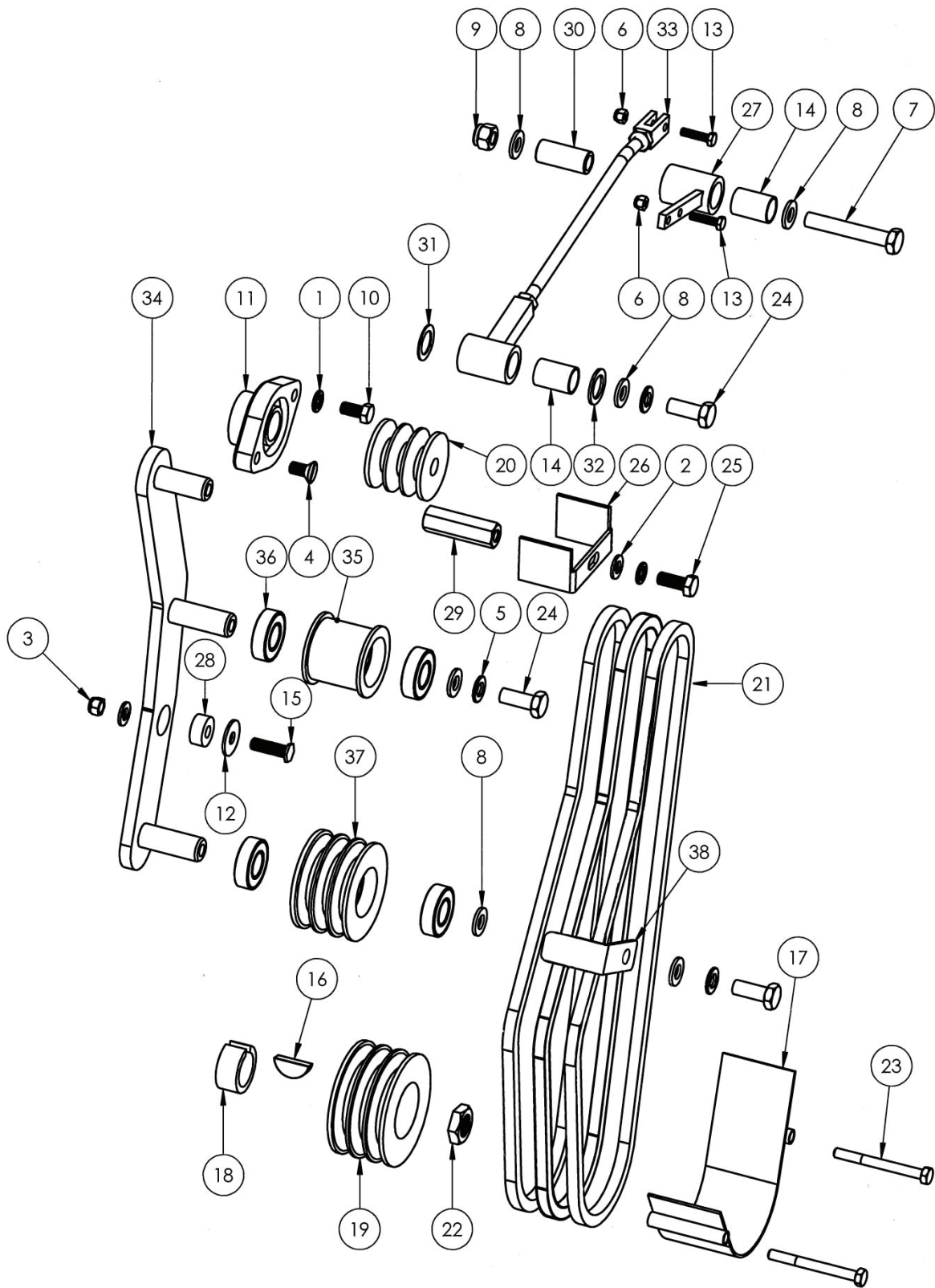


**MODEL REGAL 36" & 42":- Hydraulic Assembly BOM (FIG 3)**

ITEM NO.	DESCRIPTION	PART 36"	PART 42"	USED
1	M8 PLAIN WASHER	WM8		6
2	SET SCREW 3-8 UNF x 1 ZC	S11014		3
3	3/8 UNF x 3/4 CSK SLOTTED	S11052		1
4	3/8 WASHER			3
5	M8 x 25 SET SCREW	SM825		2
6	SPRING WASHER	SWM8		4
7	HOSE ASSY RETURN	AFK222		2
8	HOSE ASSY FILTER TO PUMP	AFK256		1
9	HOSE ASSY FILTER TO PUMP	AFK220		1
10	HOSE ASSY FILTER TO HYDRO	AFK223		1
11	SET SCREW M8 x 20 ZC	SM820		4
12	OIL FILTER HOUSING	AM81100		1
13	OIL FILTER ELEMENT	AM81100E		1
14	FOOT	AFK1426		1
15	OIL TANK	AFK1427		1
16	REGAL BREATHER/FILLER	AM81099		1
17	HYDROSTAT MOUNTING BOSS	AFK1334		4
18	HYDRO STAT	AM81097		1



MODEL REGAL 36" & 42" - Cylinder Drive Assembly (FIG 4)

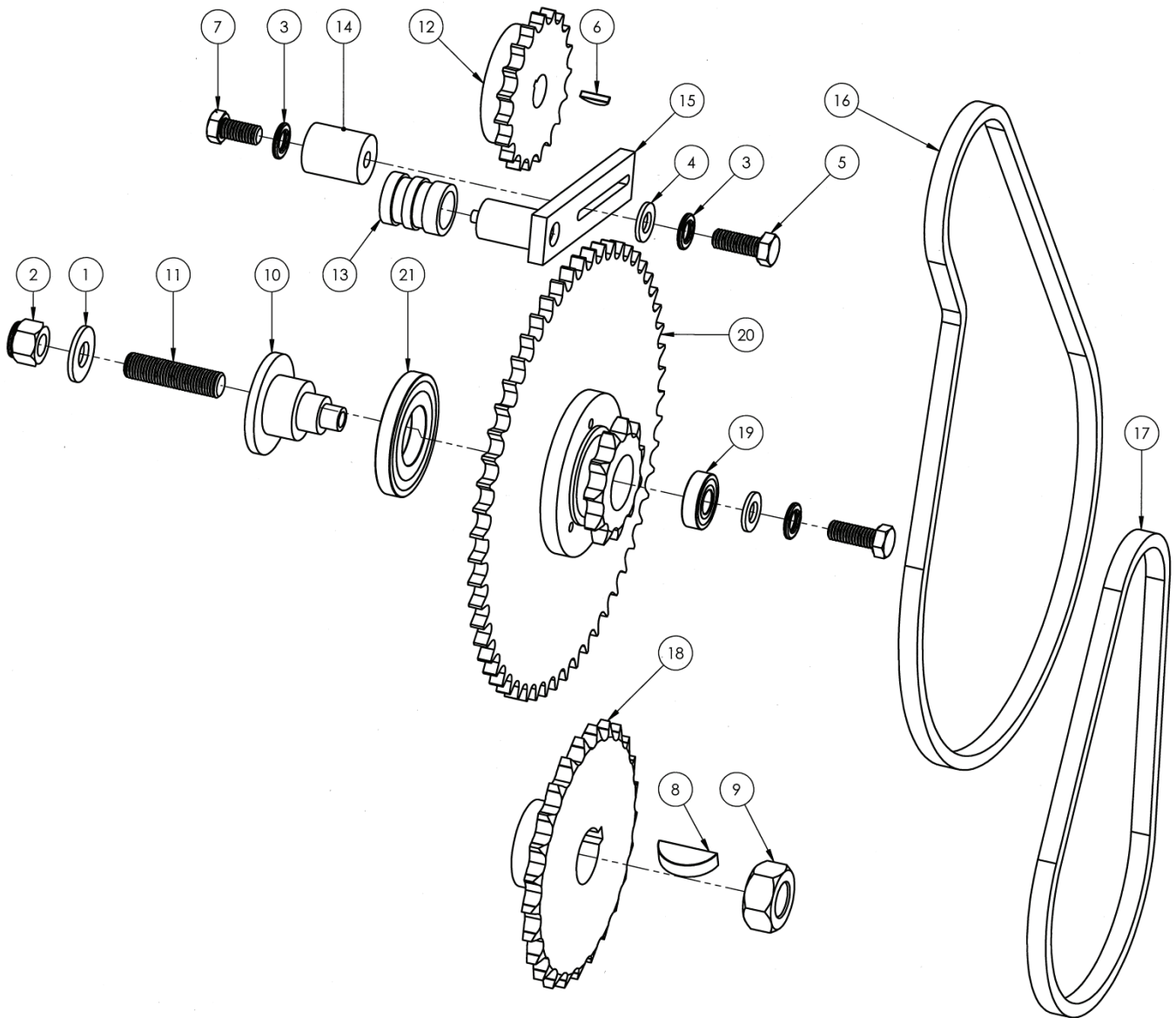




## MODEL REGAL 36" & 42":- Cylinder Drive Assembly BOM (FIG 4)

ITEM NO.	DESCRIPTION	PART 36"	PART 42"	USED
1	M10 SPRING WASHER	SWM10		2
2	M10 FLAT WASHER	WM10		2
3	NUT M8 NYLOC	NNM8		1
4	3/8 UNF x 3/4 CSK SLOTTED	S11052		1
5	SPRING WASHER M12 Z/C	SWM12		1
6	NUT M6 NYLOC	NNM6		2
7	M12 BOLT/SET SCREW	SM1275		1
8	M12 WASHER FORM A	WM12A		3
9	NUT M12 NYLOC	NNM12		1
10	3/8 x 3/4 UNF	S11011		1
11	BEARING	AM81009		1
12	FLAT WASHER M10 FORM G	WM10G		1
13	SET SCREW M6 x 25	SM625		2
14	3/4" BRONZE BUSH	AM81084		2
15	3-8 UNF x 1 1/2 ZC	AFK1145		1
16	1 & 1/2" X 5/16" WOODRUFF KEY	AM82165		1
17	LOWER BELT GUIDE	AFK042		1
18	CYLINDER/PULLEY DISTANCE PIECE	AFK1209		1
19	CYLINDER V-BELT PULLEY	AM90180		1
20	TOP V-BELT PULLEY	AM90184		1
21	CUTTER CLUTCH BELT	AM90140		3
22	M20 HALF NUT	NHM20		1
23	BOLT M8x80	BM880		2
24	M12 X 30 BOLT/SET SCREW	SM1230		1
25	M10 X 25 SET SCREW	SM1025		1
26	BELT GUIDE	AFK006		1
27	CUTTER CLUTCH ROD SWIVEL	AFK044		1
28	CUTTER/CLUTCH PIVOT BOSS	AFK1210		1
29	BELT GUIDE COLUMN	AFK1208		1
30	CLUTCH/HYDRO SWIVEL BOSS	AFK1207		1
31	C/CLUTCH SPACER	AFK1215		1
32	SPACER C/CLUTCH 30X20x2	AFK1216		1
33	LOWER CUTTER CLUTCH ROD	AFK124		1
34	CUTTER CLUTCH ARM FABRICATION	AFK012		1
35	CUTTER CLUTCH JOCKEY	AFK003		1
36	BEARING 20mm 6004 2RS	AM81007		4
37	CUTTER CLUTCH JOCKEY V-BELT PULLEY	AM90182		1
38	BELT GUIDE L SHAPE	AFK1131		1

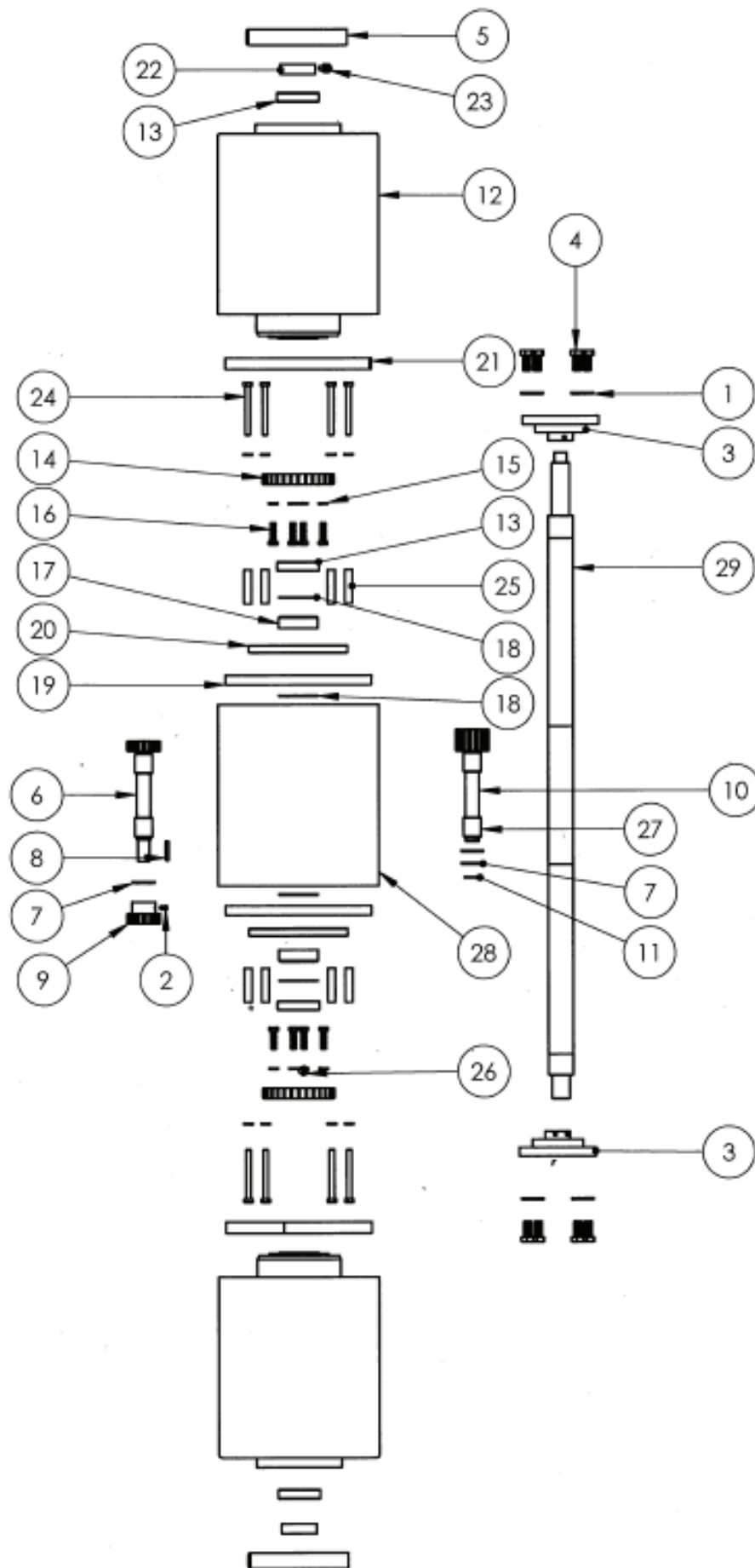
# MODEL REGAL 36" & 42":- Rear Roller Drive Assembly (FIG 5)



**MODEL REGAL 36" & 42":- Rear Roller Drive Assembly BOM**  
**(FIG 5)**

ITEM NO.	DESCRIPTION	PART 36"	PART 42"	USED
1	1/2" UNF WASHER	W11014		1
2	1/2" UNF NYLOC NUT			1
3	M10 SPRING WASHER	SWM10		3
4	M10 FLAT WASHER	WM10		2
5	SET SCREW 3-8 UNF x 1 ZC	S11014		2
6	KEY 5/8 X 1/8 WOODRUFF	K5-5		1
7	3/8 x 3/4 UNF	S11011		1
8	1 & 1/2" X 5/16" WOODRUFF KEY	AM82165		1
9	NUT M20 PLAIN	NM20		1
10	LARGE COMPOUND CENTRE	AFK056		1
11	1/2" X 2 1/2" UNF BOLT	AFK1110		1
12	PRIMARY DRIVE SPROCKET	AFK1335		1
13	CHAIN TENSIONER SLEEVE LONG	AFK1116		1
14	ADJ BOSS	AFK1127		1
15	CHAIN TENSIONER FAB	AFK029		1
16	CHAIN 1/2 PITCH X 75 LINKS	AM81515		1
17	CHAIN 5/8 37 LINKS	AM90214		1
18	REAR ROLLER SPROCKET	AFK062		1
19	BEARING 12mm 6001 2RS	AM82104		1
20	LARGE COMPOUND SPROCKET HUB	AFK057		1
21	BEARING 12mm 6001 2RS	AM82323		1

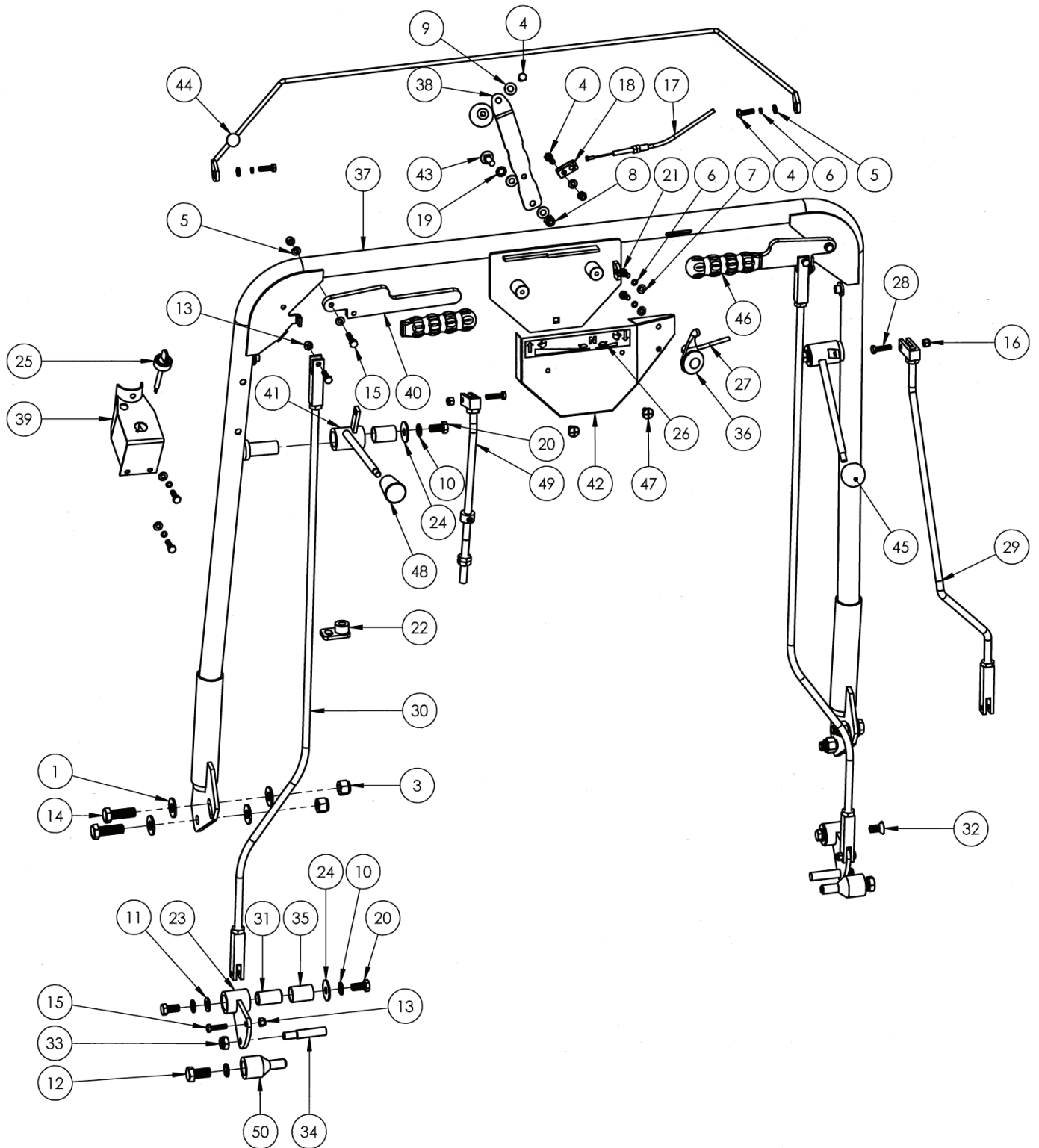
MODEL REGAL 36" & 42"- Rear Roller Assembly (FIG 6)



## MODEL REGAL 36" & 42":- Rear Roller Assembly BOM (FIG 6)

ITEM NO.	DESCRIPTION	PART 36"	PART 42"	USED
1	1-2" SPRING WASHER			8
2	M6 X 6 GRUBSCREW	ACGM6		4
3	BEARING FLANGED 12SF 1 1/8"	AM81010		2
4	1/2" X 1" UNF SET SCREW	S11018		8
5	BRAKE BAND	AFK021		2
6	13T SINGLE DIFF ASSY	AFK142		1
7	REAR ROLLER GEAR WASHER	AFK1199		3
8	KEY 3/16 x 1.1/4 FORM C	AM83273		1
9	13T PLANET PINION	AFK1154		1
10	13T DOUBLE DIFF GEAR ASSY	AFK141		1
11	CIRCLIP 7/8 EXTERNAL	AM82176		1
12	REAR ROLLER OUTER FAB	AFK113	AFK114	2
13	BEARING 40mm 6008 2RS	AM82105		4
14	REAR ROLLER RING GEAR	AFK040		2
15	M8 SPRING WASHER	SWM8		16
16	SET SCREW M8 x 25	SM825		8
17	INNER ROLLER COLLAR	AFK013		2
18	ROLLER SHIM	AFK1429		6
19	OIL SEAL HOUSING	AFK1149		2
20	OIL SEAL 135 ID x 160 OD R21 SINGLE LIP	AM81053		2
21	REAR ROLLER SEALING BAND	AFK1228		2
22	OUTER ROLLER COLLAR	AFK055		2
23	SET SCREW M8 x 20 ZC	SM820		2
24	BOLT M8x80	BM880		8
25	REGAL ROLLER SEAL PLATE SPACER	AFK1521		8
26	SET SCREW M8 x 20	SM820		1
27	OILITE BUSH 7/8 X 1 1/8 X 1 1/4LG	AM82118		5
28	REAR ROLLER CENTRE FAB	AFK127		1
29	REAR ROLLER SHAFT 36	AFK1124	AFK1123	1

# MODEL REGAL 36" & 42" - Handlebar Assembly (FIG 7)

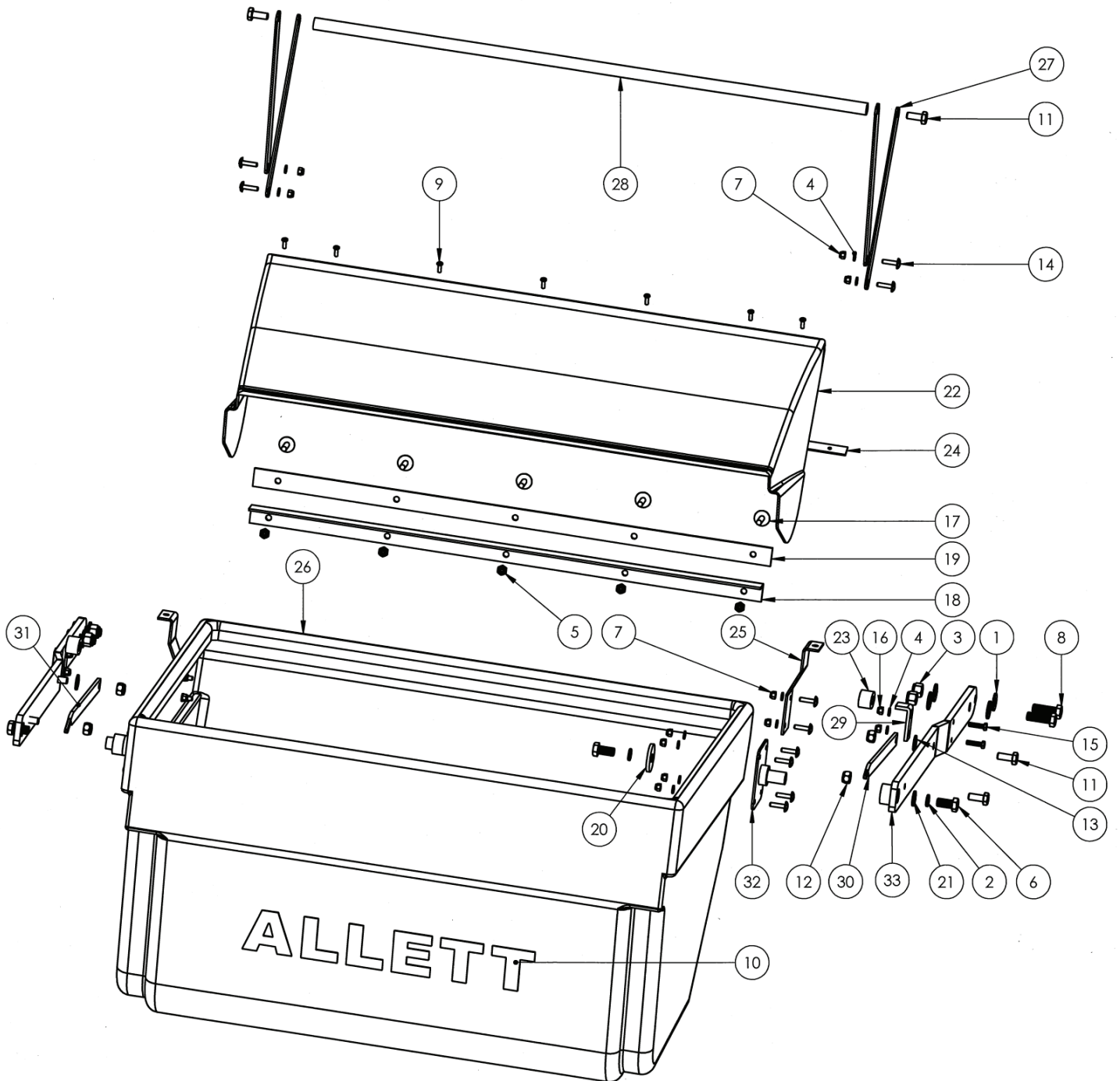




## MODEL REGAL 36" & 42":- Handlebar Assembly BOM (FIG 7)

ITEM NO.	DESCRIPTION	PART 36"	PART 42"	USED
1	1/2" UNF WASHER	W11014		6
2	1-2" SPRING WASHER			2
3	1/2" UNF NYLOC NUT			4
4	M6 x 20 SET SCREW	SM620		1
5	WASHER M6	WM6		8
6	SPRING WASHER M6	SWM6		2
7	WASHER M6 FORM A	WM6A		3
8	NUT M8 NYLOC	NNM8		1
9	M8 PLAIN WASHER	WM8		3
10	M10 SPRING WASHER	SWM10		3
11	M10 FLAT WASHER	WM10		1
12	1/2" X 1" UNF SET SCREW	S11018		2
13	NUT M6 NYLOC	NNM6		3
14	1/2" X 1" UNF SET SCREW	S11019		4
15	SET SCREW M6 x 25 ZC	SM625		2
16	NUT M6 NYLOC	NNM6		2
17	CABLE CUTTER CLUTCH	AFK1367		1
18	YOKE ANCHOR POINT	BSG1024		1
19	SPRING WASHER M8	SWM8		1
20	3/8 x 3/4 UNF	S11011		3
21	M6 X 12 SET SCREW	SM612		2
22	HAND BRAKE PLATE FAB	AFK211		1
23	BRAKE SWIVEL L/H DRVE SIDE	AFK016		2
24	FLAT WASHER M10 FORM G	WM10G		2
25	WIRING HARNESS - IGNITION BARREL	AFK274		1
26	REGAL HYDROSTAT DECAL	AM81559		1
27	THROTTLE CABLE	AFK1420		1
28	SET SCREW M6 x 25	SM625		2
29	UPPER CUTTER CLUTCH ROD	AFK126		1
30	POWER STEERING ROD	AFK122		2
31	POWER STEERING SWIVEL BOSS	AFK1202		2
32	3-8 x 3-4 CSK	S11052		1
33	M10 x 1.25 NYLOC	NNM10		2
34	BRAKE SWIVEL	AFK1046		2
35	3/4" BRONZE BUSH	AM81084		2
36	THROTTLE LEVER BODY	AM82177		1
37	REGAL HANDLE BAR FAB	AFK232	AFK236	1
38	HYDROSTAT CONTROL LEVER	AFK1371		1
39	ON/OFF SWITCH BOX	AFK251		1
40	STEERING LEVER	AFK1020		2
41	CUTTER CLUTCH LEVER	AFK210		2
42	HYDROSTAT CONTROL COVER	AFK1368		1
43	COACH BOLT M8 x 25 ZY	BCM825		1
44	SAFETY SWITCH BAR FAB	AFK217	AFK218	1
45	BALL KNOB	AM87264		2
46	HANDLE GRIP POST	AM81059		2
47	SCREW M6 x 16 ROOFING BOLT ZC	S11060		2
48	TAPERED KNOB	AM81516		1
49	HAND BRAKE ROD	AFK207		1
50	30/36 BRAKE ANCHOR	AFK026		2

MODEL REGAL 36" & 42" :- Grassbox Assembly (FIG 8)



## MODEL REGAL 36" & 42":- Grassbox Assembly BOM (FIG 8)

ITEM NO.	DESCRIPTION	PART 36"	PART 42"	USED
1	1/2" UNF WASHER	W11014		8
2	1/2" SPRING WASHER			4
3	1/2" UNF NYLOC NUT			4
4	WASHER M6	WM6		20
5	NUT M8 NYLOC	NNM8		5
6	1/2" X 1" UNF SET SCREW	S11018		4
7	NUT M6 NYLOC	NNM6		16
8	1/2" X 1" UNF SET SCREW	S11019		4
9	POP RIVET4.8 DIA X16mm STEEL	PR4816		7
10	ALLETT DECAL LARGE	AM81620		1
11	SET SCREW M10x20	SM1025		6
12	M10 NYLOC NUT	NNM10		4
13	WASHER M10 FORM C Z/C	WM10C		2
14	SCREW M6 x 16 ROOFING BOLT ZC	S11061		16
15	SET SCREW M6 x 25 ZC	SM625		4
16	NUT M6 NYLOC	NNM6		4
17	M8 x 25 CUP SQ BOLT	BM830		5
18	SUPPORT ANGLE	AFK1424	T003024	1
19	BACKPLATE FOR SUPPOPRT ANGLE	AFK1425	T003025	1
20	CLAMPING WASHER	AC139		2
21	1/2 WASHER			2
22	GRASSBOX HOOD	M337	AM81058	1
23	REGAL GRASS BOX RUBBER BUFFER	AFK1494		2
24	GRASSBOX DEFLECTOR STRIP	AFK1229		1
25	GRASSBOX BRACKET	AFK034-B		2
26	GRASSBOX	AM82142	AM81057	1
27	GRASSBOX HOOD MOUNTING ARM	AFK1128		4
28	GRASSBOX HOOD SHAFT	AFK1117	AFK1115	1
29	GRASSBOX ARM BRACKET	AFK1050		2
30	BRASS BOX ARM SHORT	AFK1051		1
31	GRASS BOX ARM SHORT	AFK1052		1
32	30/36 GRASS BOX PIVOT ASSEMBLY	AFK025		2
33	GRASSBOX ARM FAB	AFK017		2

## Notes