

This catalog covers:
FJ180V-□M89

This fig. covers:
TITLE

PARTS CATALOG

4-STROKE ENGINE

FJ180V

PRODUCT CODE	NOTE
FJ180V-AM89	MOWER

PARTS CATALOG INTRODUCTION

This parts catalog lists parts and sub-assemblies provided as service parts.

When it becomes necessary to replace parts, always use KAWASAKI GENUINE PARTS which have passed strict inspection which guarantees quality and performance.

1. HOW TO ORDER PARTS

- When ordering the parts, be sure to use the parts catalog corresponding to the product code. Check the product revision codes on the product and the catalog.
 Product Code (example) : FA130D-**AA00**
 Product Revision Code
- Specify the part code (all digits) exactly as listed in this catalog on your parts order.
- The parts not shown in the illustrations of this catalog are not sold separately; only the complete units or next higher assemblies illustrated are supplied as the service parts.

2. EXPLANATION OF PARTS CATALOG FORMAT

This catalog covers: **TH026D-□A10**

This fig. covers: **01 CYLINDER/CRANKCASE**

Ref. No.	Part No.	Description	Quantity
11005	11005-2137	CYLINDER-ENGINE	1
11060	11060-2402	GASKET,CYLINDER	2
11065	11065-2064	CAP	1
14002	14002-2327	CRANKCASE	1
14002A	14002-2328	CRANKCASE	1
34001	34001-2083	STAND	1
92009	92009-2115	SCREW	3
92045	92045-1302	PIN	2
92045	92045-2006	BEARING-BALL,6000C3	2
92049	92049-2074	SEAL-OIL	2
92150	92150-2091	BOLT	4

1 JUN.03.1999 E0110-A216A

1) Product Code

This code describes the product code covered by this catalog. The product revision code, which is a part of the product code, is omitted.

2) Part Group Title

This title is the representative name for the group of parts illustrated on the page.

3) Reference Number

The reference numbers are shown on the illustration and the list as the link between them.

PARTS LIST INFORMATION

4) Part Number

This is the key of your parts ordering.

Three kinds of part number are used in this catalog.

a. Structure 1

□□□□□□-□□□□□□-□□
 □□□□□□-□□□□□□

Part Revision Code

b. Structure 2

□□□□□□-□□□□□□-□□

Color Code for Painted Part

c. Standard Hardware Number

(for bolts, nuts, washer, or the like)

□□□□□□□□

Size Code

Material and Surface Treatment Code

Item Code

5) Description and Additional Information

The part name, the location, the size, and the serial number as additional information, etc. are described here. Use them to find out and check the part required.

When a part number is changed without change of the product revision code and the changed parts are not interchangeable, the serial number of the product is noted as follows;

- (FA130 - 100001) : Affected units are from beginning of the product of the product code up to and including this serial number.
 (FA130 - 100002 -) : Affected units are from this serial number and above.
 (FA130 - 100002 - FA130 - 110001) : Affected units are in this serial number range.

6) Quantity

The figure shows quantity of the part required at the indicated position on the illustration and for the specified product revision code.

The asterisk (*) on this column means the part can be used as the substitute on the product and is supplied until the stock is exhausted.

Note:Some small parts will be supplied by units.

Example: If six (6) bolts are ordered and the minimum quantity per unit is five (5), two (2), units of the bolt will be delivered.

7) Product Revision Code

This Code indicates an important change which affects the service parts interchangeability.

3. ABBREVIATIONS

#Number	FR.....	Front	RH	Right Hand
&And	G	RPM	...	Revolutions Per Minute
(+)Plus	HEX	RR	Rear
(-)Minus	ID=	STD	Standard
2ND	IN	T	Teeth
3RD	L=	T=	Thickness
4TH	LH	U/S	Under Size
A	LWR	UPP	Upper
AR	MM	V	Volt
ASSY	O/S	W	Watt
CNT	OD=			
COMP	REF			

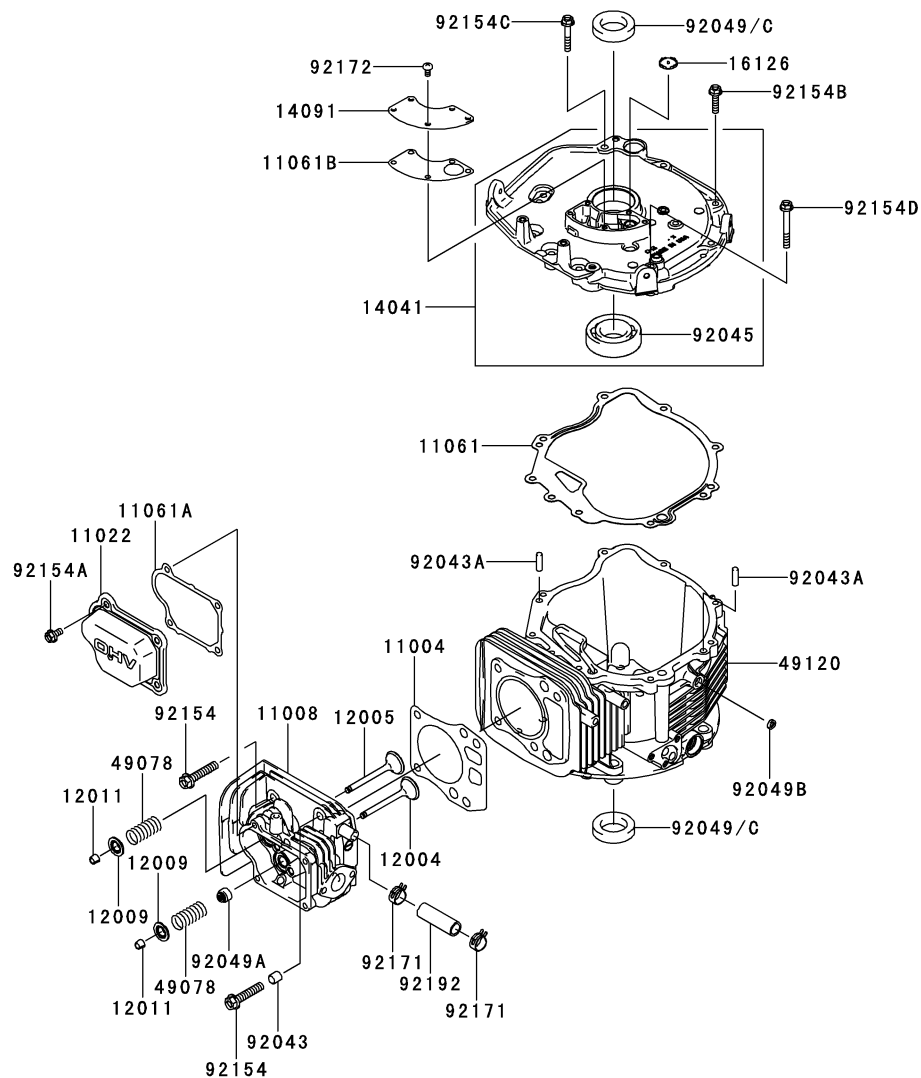
This catalog covers:

FJ180V- □ M89

This fig. covers:

01 CYLINDER/CRANKCASE

E0110-A851B



Ref. No.	Part No.	Description	Quantity
11004	11004-2146	GASKET-HEAD	1
11008	11008-2171	HEAD-COMP-CYLINDER	1
11022	11022-2083	CASE-ROCKER	1
11061	11061-0862	GASKET,COVER-CRANKCASE	1
11061A	11061-2210	GASKET,CASE-ROCKER	1
11061B	11061-2213	GASKET,BREATHER	1
12004	12004-2122	VALVE-INTAKE	1
12005	12005-2107	VALVE-EXHAUST	1
12009	12009-2072	RETAINER-VALVE SPRING	2
12011	12011-2056	COLLET	4
14041	14041-0590	COVER-COMP	1
14091	14091-2138	COVER,BREATHER	1
16126	16126-2247	VALVE,BREATHER	1
49078	49078-2089	SPRING-ENGINE VALVE	2
49120	49120-0864	CRANKCASE-COMP	1
92043	92043-2261	PIN,10X12	2
92043A	92043-2263	PIN,6X12	2
92045	92045-1207	BEARING-BALL,62/28	1
92049	92049-0785	SEAL-OIL,28-44-9 TC	2
92049A	92049-2272	SEAL-OIL	1
92049B	92049-2273	SEAL-OIL,6X10X2.5	1
92049C	92049-7008	SEAL-OIL,28-44-9 TC	*
92154	92154-0821	BOLT,8X45	4
92154A	92154-2003	BOLT,6X12	4
92154B	92154-2011	BOLT,6X25	7
92154C	92154-2012	BOLT,6X35	1
92154D	92154-2022	BOLT,6X50	1
92171	92171-2088	CLAMP	2
92172	92172-2108	SCREW,5X10	5
92192	92192-2184	TUBE,12X16X49	1

This catalog covers:

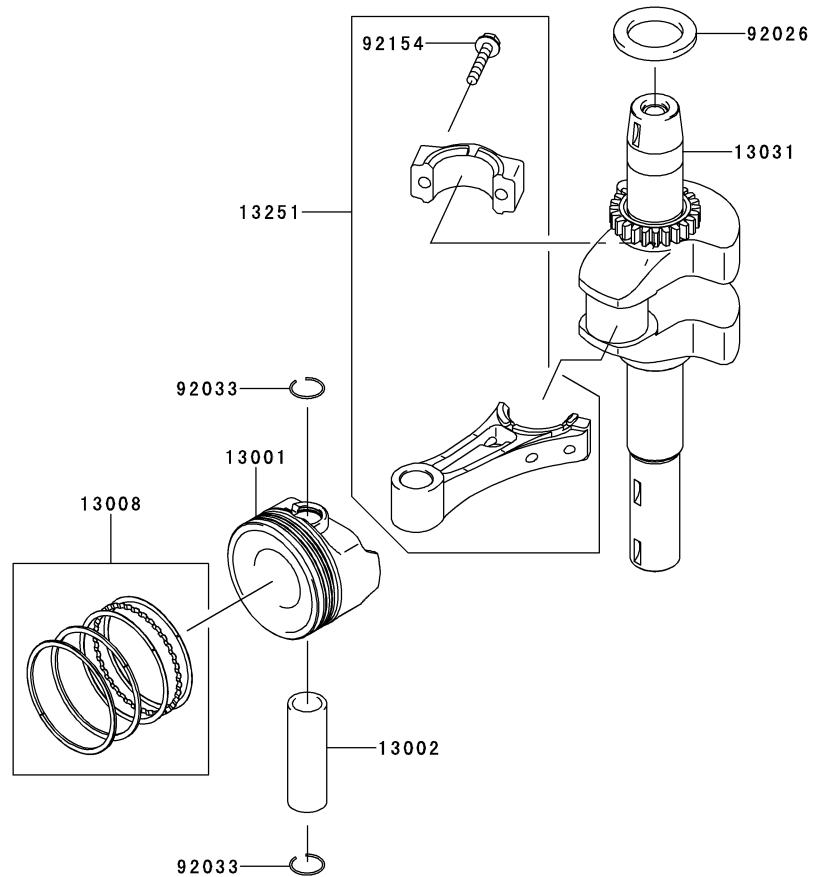
FJ180V- □ M89

This fig. covers:

02 PISTON/CRANKSHAFT

E0120-A488A

Ref. No.	Part No.	Description	Quantity
13001	13001-2175	PISTON-ENGINE	1
13002	13002-2102	PIN-PISTON	1
13008	13008-6073	RING-SET-PISTON	1
13031	13031-2129	CRANKSHAFT-COMP	1
13251	13251-0721	ROD-ASSY-CONNECTING	1
92026	92026-2361	SPACER,28X41.5X3.6	1
92033	92033-2199	RING-SNAP	2
92154	92154-0816	BOLT,6X30	2



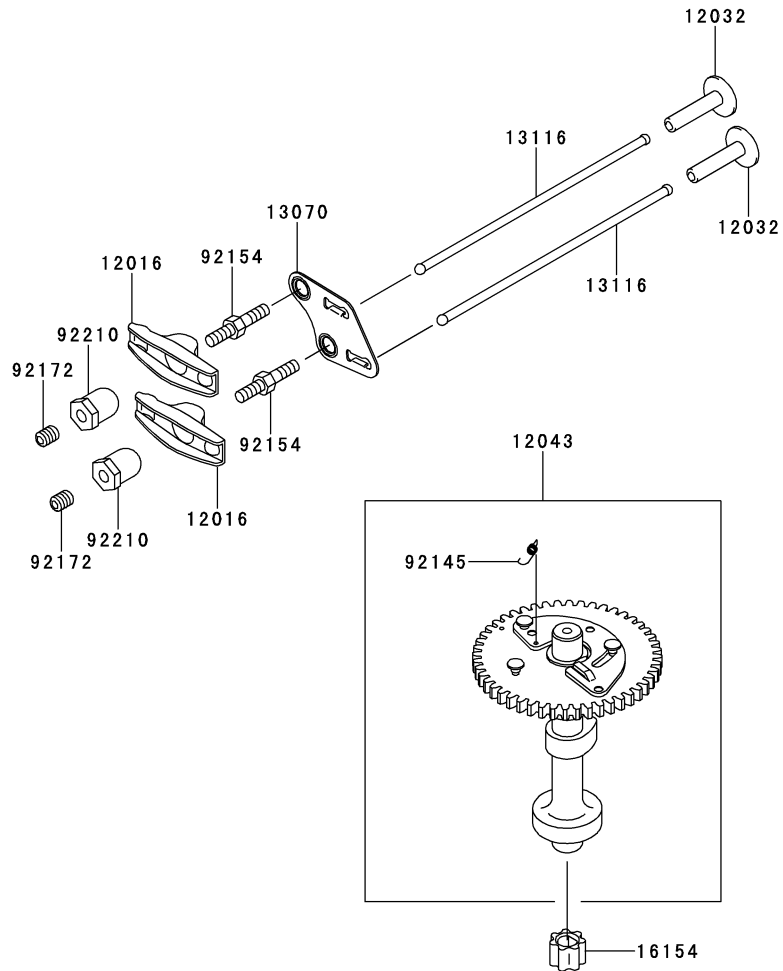
This catalog covers:

FJ180V- □ M89

This fig. covers:

03 VALVE/CAMSHAFT

E0130-A227A



Ref. No.	Part No.	Description	Quantity
12016	12016-2067	ARM-ROCKER	2
12032	12032-2074	TAPPET	2
12043	12043-2001	CAMSHAFT-ASSY-VALVE	1
13070	13070-2118	GUIDE	1
13116	13116-2076	ROD-PUSH	2
16154	16154-7004	ROTOR-PUMP	1
92145	92145-2179	SPRING	1
92154	92154-2009	BOLT	2
92172	92172-2107	SCREW	2
92210	92210-2123	NUT, M6	2

This catalog covers:

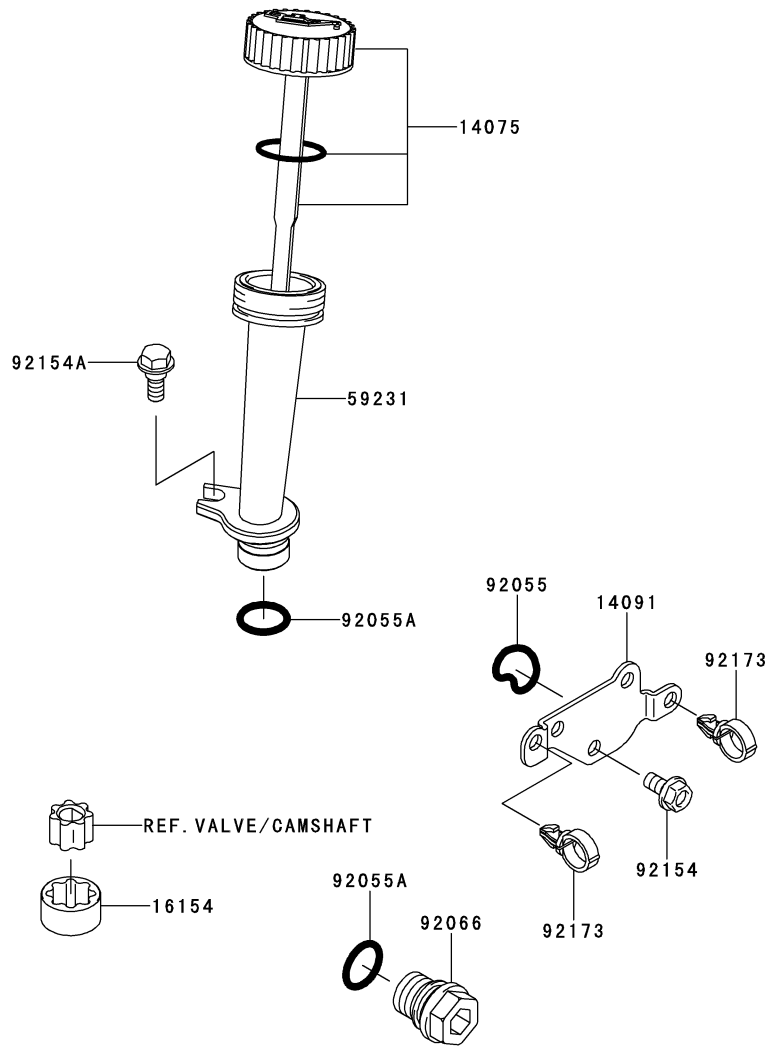
FJ180V- □ M89

This fig. covers:

04 LUBRICATION-EQUIPMENT

E0140-A455H

Ref. No.	Part No.	Description	Quantity
14075	14075-0032	CAP-ASSY	1
14091	14091-2139	COVER,OIL FILTER	1
16154	16154-7002	ROTOR-PUMP	1
59231	59231-2099	FILLER	1
92055	92055-2212	RING-O	1
92055A	92055-2214	RING-O,15.8X2.4	2
92066	92066-2257	PLUG	1
92154	92154-2003	BOLT,6X12	3
92154A	92154-2006	BOLT,M6	1
92173	92173-1439	CLAMP	2



This catalog covers:

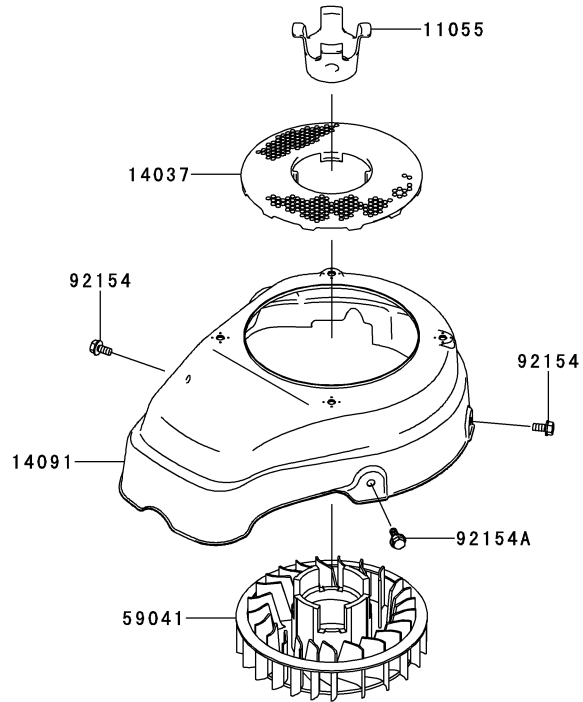
FJ180V- □ M89

This fig. covers:

05 COOLING-EQUIPMENT

E0150-A799B

Ref. No.	Part No.	Description	Quantity
11055	11055-2014	BRACKET,FAN	1
14037	14037-2154	SCREEN	1
14091	14091-2145	COVER	1
59041	59041-2098	FAN	1
92154	92154-2003	BOLT,6X12	2
92154A	92154-2006	BOLT,M6	1



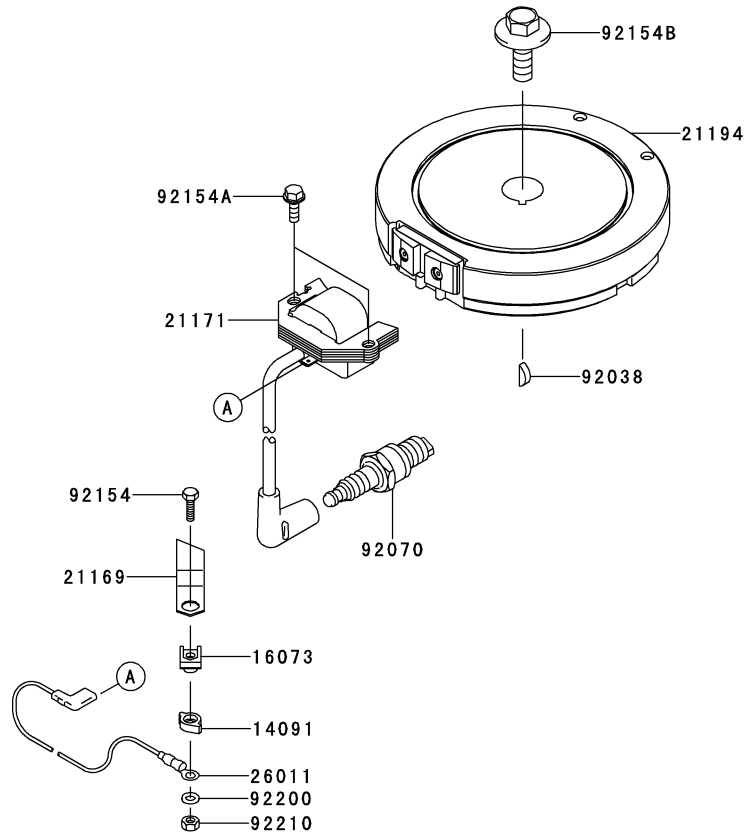
This catalog covers:

FJ180V- □ M89

This fig. covers:

06 ELECTRIC-EQUIPMENT

E0160-B181B



Ref. No.	Part No.	Description	Quantity
14091	14091-2141	COVER	1
16073	16073-2241	INSULATOR	1
21169	21169-2077	TERMINAL	1
21171	21171-2267	COIL-ASSY-IGNITION	1
21194	21194-2355	FLYWHEEL-COMP	1
26011	26011-2390	WIRE-LEAD	1
92038	92038-2107	KEY	1
92070	92070-2119	PLUG-SPARK,BPR5ES(NGK)	1
92154	92154-2014	BOLT,4X16	1
92154A	92154-2016	BOLT,6X20	2
92154B	92154-2017	BOLT,12X30	1
92200	92200-2183	WASHER,4.5X8X0.5	1
92210	92210-2126	NUT,M4	1

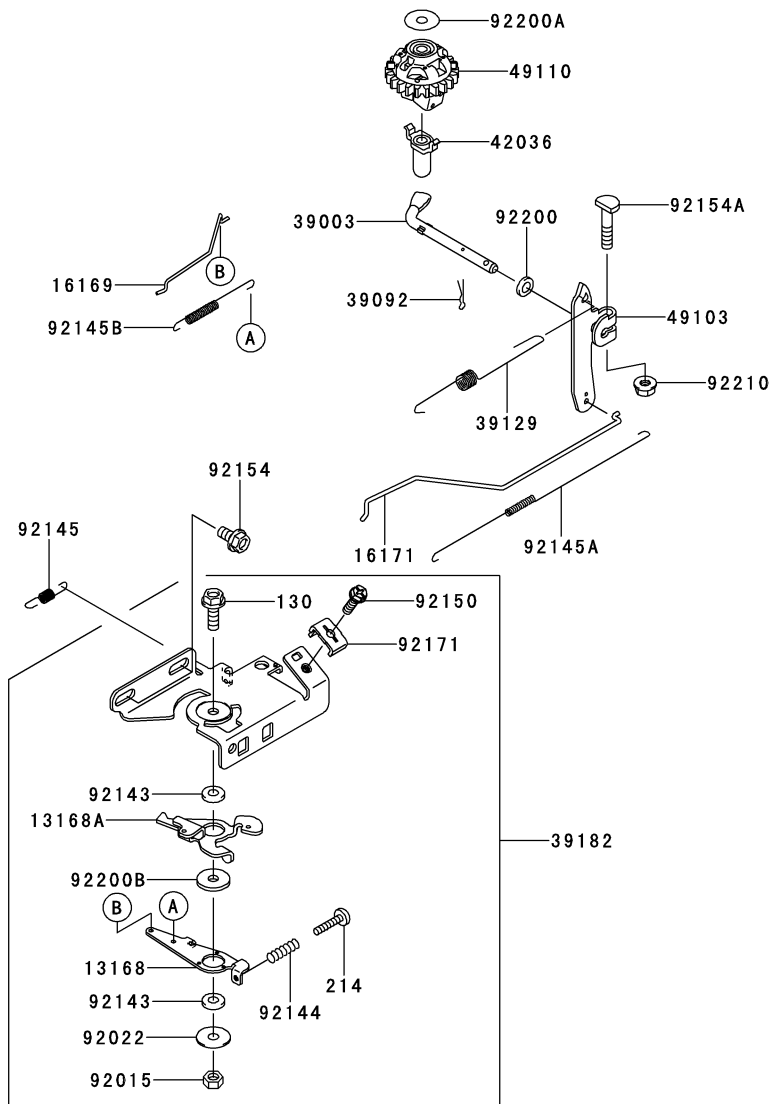
This catalog covers:

FJ180V- □ M89

This fig. covers:

07 CONTROL-EQUIPMENT

E0170-A656B



Ref. No.	Part No.	Description	Quantity
13168	13168-2518	LEVER	1
13168A	13168-2519	LEVER	1
16169	16169-2148	LINK-CHOKE	1
16171	16171-2106	LINK,THROTTLE	1
39003	39003-2104	ARM-PIVOT	1
39092	39092-2055	PIN-HAIR	1
39129	39129-2127	SPRING-GOVERNOR	1
39182	39182-2195	PANEL-ASSY-CONTROL	1
42036	42036-2051	SLEEVE	1
49103	49103-2177	ARM-GOVERNOR	1
49110	49110-2102	GOVERNOR-ASSY	1
92015	92015-2051	NUT,LOCK	1
92022	92022-2372	WASHER,6X19X1.2	1
92143	92143-2135	COLLAR,6X13X2.3	2
92144	92144-2266	SPRING	1
92145	92145-2180	SPRING	1
92145A	92145-2182	SPRING,THROTTLE	1
92145B	92145-2185	SPRING	1
92150	92150-2182	BOLT,5X18	1
92154	92154-2003	BOLT,6X12	2
92154A	92154-2018	BOLT,6X28	1
92171	92171-7016	CLAMP	1
92200	92200-2184	WASHER,6.5X11.5X2	1
92200A	92200-2185	WASHER,6.2X20X0.5	1
92200B	92200-7047	WASHER	1
92210	92210-2121	NUT,M6	1
130	130AA0618	BOLT-FLANGED,6X18	1
214	214AA0420	SCREW-PAN+,-,4X20	1

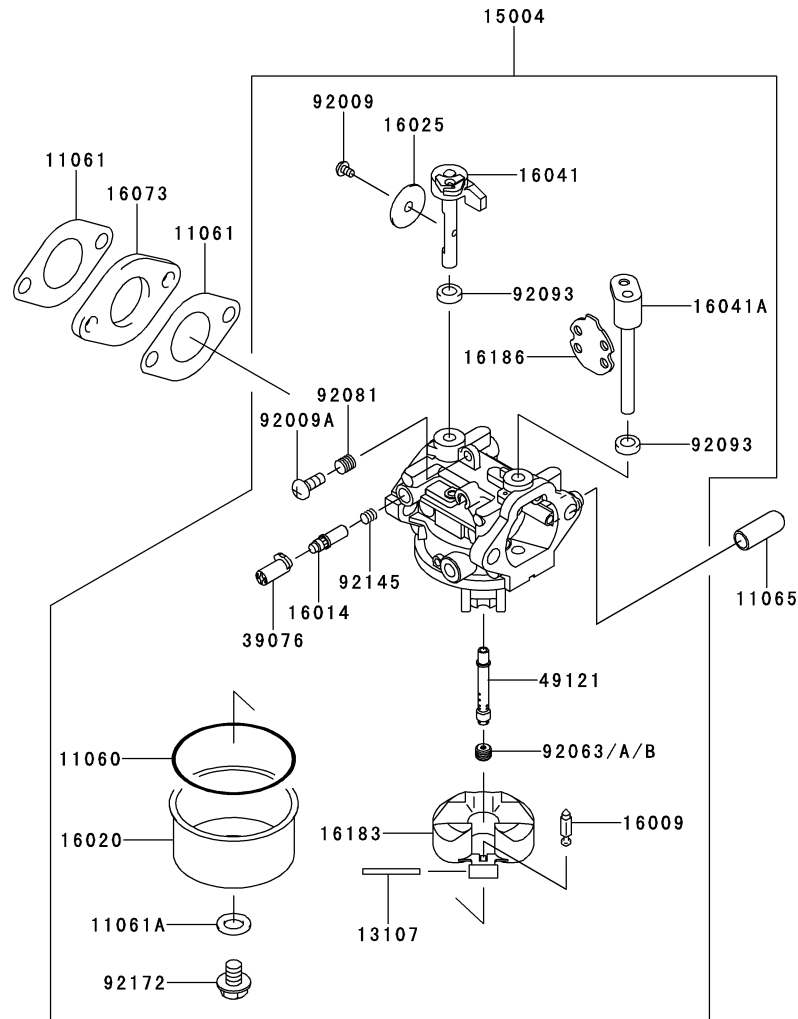
This catalog covers:

FJ180V- □ M89

This fig. covers:

08 CARBURETOR

E0180-A922A



Ref. No.	Part No.	Description	Quantity
11060	11060-2190	GASKET	1
11061	11061-2215	GASKET,INSULATOR	2
11061A	11061-7010	GASKET,SCREW	1
11065	11065-2140	CAP	1
13107	13107-7024	SHAFT	1
15004	15004-7010	CARBURETOR-ASSY	1
16009	16009-2136	NEEDLE-JET	1
16014	16014-7008	SCREW-PILOT AIR	1
16020	16020-7004	CHAMBER-FLOAT	1
16025	16025-7007	VALVE-THROTTLE	1
16041	16041-7019	SHAFT-CARBURETOR	1
16041A	16041-7020	SHAFT-CARBURETOR	1
16073	16073-2240	INSULATOR	1
16183	16183-2002	FLOAT-ASSY	1
16186	16186-7003	VALVE-ASSY-CHOKE	1
39076	39076-7001	LIMITER	1
49121	49121-7014	NOZZLE-MAIN	1
92009	92009-2083	SCREW	1
92009A	92009-2349	SCREW	1
92063	92063-7067	JET-MAIN,#70	1
92063A	92063-7108	JET-MAIN,#68,3280FT	AR
92063B	92063-7109	JET-MAIN,#66,6560FT	AR
92081	92081-2234	SPRING	1
92093	92093-2100	SEAL	2
92145	92145-7015	SPRING	1
92172	92172-7002	SCREW	1

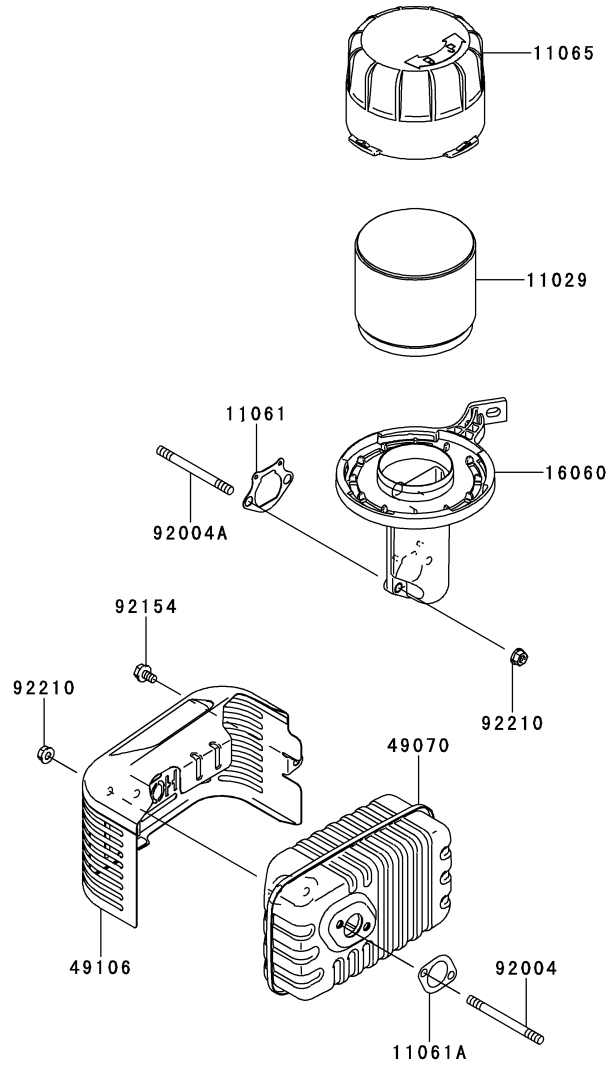
This catalog covers:

FJ180V- □ M89

This fig. covers:

09 AIR-FILTER/MUFFLER

E0190-B520A



Ref. No.	Part No.	Description	Quantity
11029	11029-0019	ELEMENT-ASSY-AIR FILTER	1
11061	11061-2211	GASKET,PIPE INTAKE	1
11061A	11061-2212	GASKET,MUFFLER	1
11065	11065-2135	CAP,AIR FILTER	1
16060	16060-2219	PIPE-INTAKE	1
49070	49070-2792	MUFFLER-COMP	1
49106	49106-2676	COVER-MUFFLER	1
92004	92004-2162	STUD,6X80	2
92004A	92004-2164	STUD,6X75	2
92154	92154-1666	BOLT,6X12	1
92210	92210-2121	NUT,M6	4

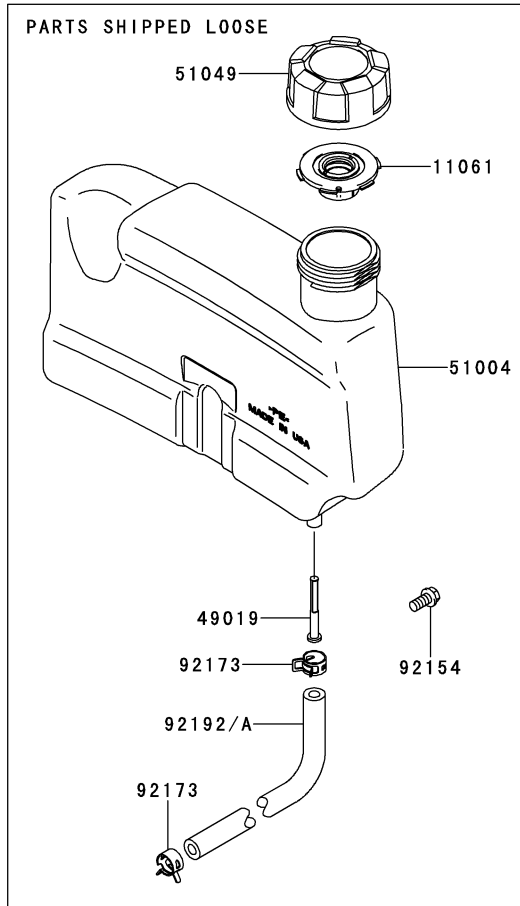
This catalog covers:

FJ180V- □ M89

E0200-A950A

This fig. covers:

10 FUEL-TANK/FUEL-VALVE



Ref. No.	Part No.	Description	Quantity
11061	11061-2216	GASKET	1
49019	49019-2119	FILTER-FUEL	1
51004	51004-2117	TANK-FUEL	1
51049	51049-2087	CAP-TANK,FUEL	1
92154	92154-1666	BOLT,6X12	2
92173	92173-1422	CLAMP	2
92192	92192-1574	TUBE,6.35X12.7X330	1
92192A	92192-2186	TUBE,6.35X12.7X330	*

This catalog covers:

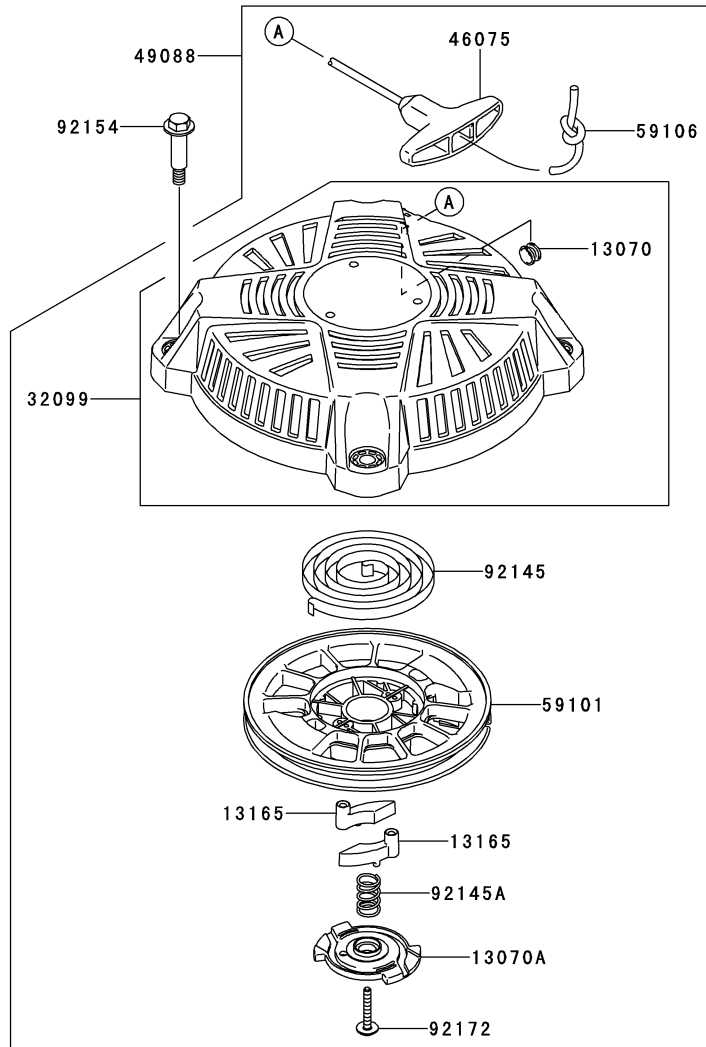
FJ180V- □ M89

11

This fig. covers:

STARTER

E0210-A509A



Ref. No.	Part No.	Description	A	Quantity
13070	13070-2124	GUIDE,ROPE		1
13070A	13070-2125	GUIDE		1
13165	13165-2108	PAWL,STARTER-RECOIL		2
32099	32099-2435	CASE,STARTER-RECOIL		1
46075	46075-7002	GRIP		1
49088	49088-2584	STARTER-RECOIL		1
59101	59101-2128	REEL,STARTER-RECOIL		1
59106	59106-2187	ROPE,3.5X2200		1
92145	92145-2200	SPRING,SPIRAL		1
92145A	92145-2201	SPRING		1
92154	92154-2015	BOLT,M6		4
92172	92172-2131	SCREW		1

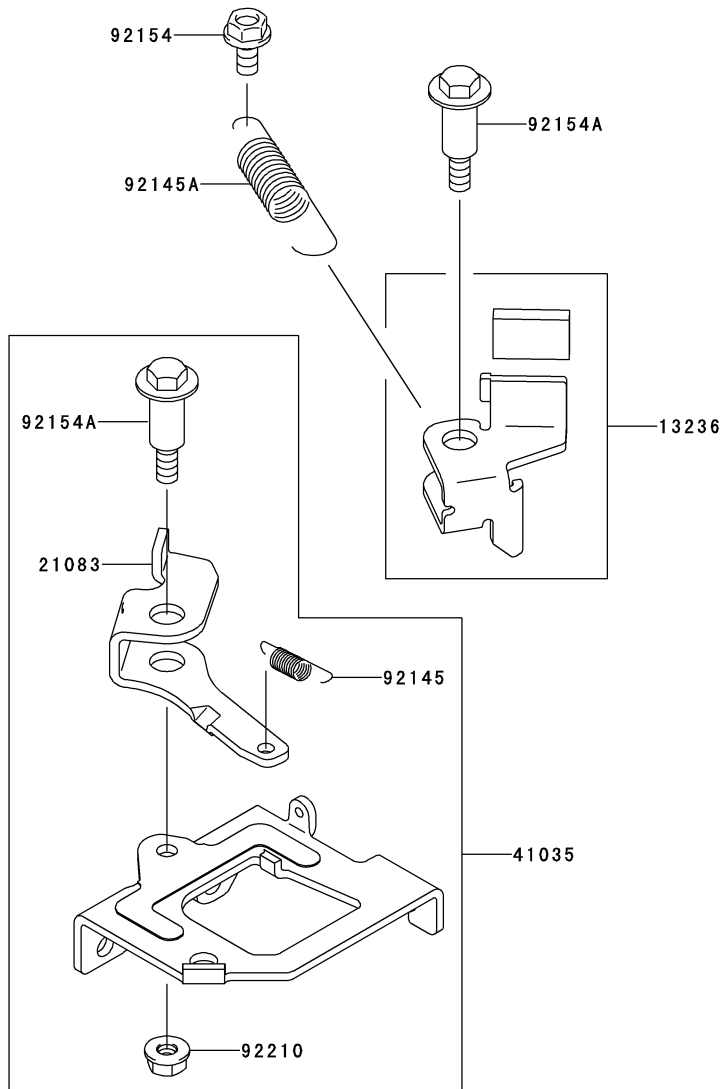
This catalog covers:

FJ180V- □ M89

This fig. covers:

12 BRAKE/COVER

F0220-A013X



Ref. No.	Part No.	Description	Quantity
13236	13236-7008	LEVER-COMP	1
21083	21083-7016	ARM	1
41035	41035-0703	PANEL-ASSY-BRAKE	1
92145	92145-2180	SPRING	1
92145A	92145-2181	SPRING	1
92154	92154-1666	BOLT,6X12	1
92154A	92154-2005	BOLT,M6	2
92210	92210-2121	NUT,M6	1

This catalog covers:

FJ180V- □ M89

13

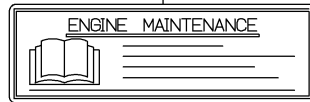
This fig. covers:

LABEL

F0290-B887A

Ref. No.	Part No.	Description	Quantity
56033	56033-2087	LABEL-MANUAL	1
56071	56071-0358	LABEL-WARNING	1
56080	56080-0767	LABEL-BRAND	1

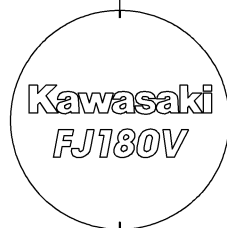
56033



56071



56080



This catalog covers:

FJ180V- □ M89

This fig. covers:

PART NAME INDEX

AIR-FILTER/MUFFLER	09
BRAKE/COVER	12
CARBURETOR	08
CONTROL-EQUIPMENT	07
COOLING-EQUIPMENT	05
CYLINDER/CRANKCASE	01
ELECTRIC-EQUIPMENT	06
FUEL-TANK/FUEL-VALVE	10
LABEL	13
LUBRICATION-EQUIPMENT	04
PISTON/CRANKSHAFT	02
STARTER	11
VALVE/CAMSHAFT	03

This catalog covers:

FJ180V- □ M89

This fig. covers:

NUMERICAL PARTS INDEX

Part No.	Fig No.	Part No.	Fig No.	Part No.	Fig No.	Part No.	Fig No.	Part No.	Fig No.
11004-2146	01	16183-2002	08	92143-2135	07				
11008-2171	01	16186-7003	08	92144-2266	07				
11022-2083	01	21083-7016	12	92145-2179	03				
11029-0019	09	21169-2077	06	92145-2180	07				
11055-2014	05	21171-2267	06	92145-2180	12				
11060-2190	08	21194-2355	06	92145-2181	12				
11061-0862	01	214AA0420	07	92145-2182	07				
11061-2210	01	26011-2390	06	92145-2185	07				
11061-2211	09	32099-2435	11	92145-2200	11				
11061-2212	09	39003-2104	07	92145-2201	11				
11061-2213	01	39076-7001	08	92145-7015	08				
11061-2215	08	39092-2055	07	92150-2182	07				
11061-2216	10	39129-2127	07	92154-0816	02				
11061-7010	08	39182-2195	07	92154-0821	01				
11065-2135	09	41035-0703	12	92154-1666	09				
11065-2140	08	42036-2051	07	92154-1666	10				
12004-2122	01	46075-7002	11	92154-1666	12				
12005-2107	01	49019-2119	10	92154-2003	01				
12009-2072	01	49070-2792	09	92154-2003	04				
12011-2056	01	49078-2089	01	92154-2003	05				
12016-2067	03	49088-2584	11	92154-2003	07				
12032-2074	03	49103-2177	07	92154-2005	12				
12043-2001	03	49106-2676	09	92154-2006	04				
13001-2175	02	49110-2102	07	92154-2006	05				
13002-2102	02	49120-0864	01	92154-2009	03				
13008-6073	02	49121-7014	08	92154-2011	01				
13031-2129	02	51004-2117	10	92154-2012	01				
13070-2118	03	51049-2087	10	92154-2014	06				
13070-2124	11	56033-2087	13	92154-2015	11				
13070-2125	11	56071-0358	13	92154-2016	06				
130AA0618	07	56080-0767	13	92154-2017	06				
13107-7024	08	59041-2098	05	92154-2018	07				
13116-2076	03	59101-2128	11	92154-2022	01				
13165-2108	11	59106-2187	11	92171-2088	01				
13168-2518	07	59231-2099	04	92171-7016	07				
13168-2519	07	92004-2162	09	92172-2107	03				
13236-7008	12	92004-2164	09	92172-2108	01				
13251-0721	02	92009-2083	08	92172-2131	11				
14037-2154	05	92009-2349	08	92172-7002	08				
14041-0590	01	92015-2051	07	92173-1422	10				
14075-0032	04	92022-2372	07	92173-1439	04				
14091-2138	01	92026-2361	02	92192-1574	10				
14091-2139	04	92033-2199	02	92192-2184	01				
14091-2141	06	92038-2107	06	92192-2186	10				
14091-2145	05	92043-2261	01	92200-2183	06				
15004-7010	08	92043-2263	01	92200-2184	07				
16009-2136	08	92045-1207	01	92200-2185	07				
16014-7008	08	92049-0785	01	92200-7047	07				
16020-7004	08	92049-2272	01	92210-2121	07				
16025-7007	08	92049-2273	01	92210-2121	09				
16041-7019	08	92049-7008	01	92210-2121	12				
16041-7020	08	92055-2212	04	92210-2123	03				
16060-2219	09	92055-2214	04	92210-2126	06				
16073-2240	08	92063-7067	08						
16073-2241	06	92063-7108	08						
16126-2247	01	92063-7109	08						
16154-7002	04	92066-2257	04						
16154-7004	03	92070-2119	06						
16169-2148	07	92081-2234	08						
16171-2106	07	92093-2100	08						