

COVER

PARTS LIST
パーツリスト

**REVERSIBLE
COMPACTOR**
バイブロコンパクター

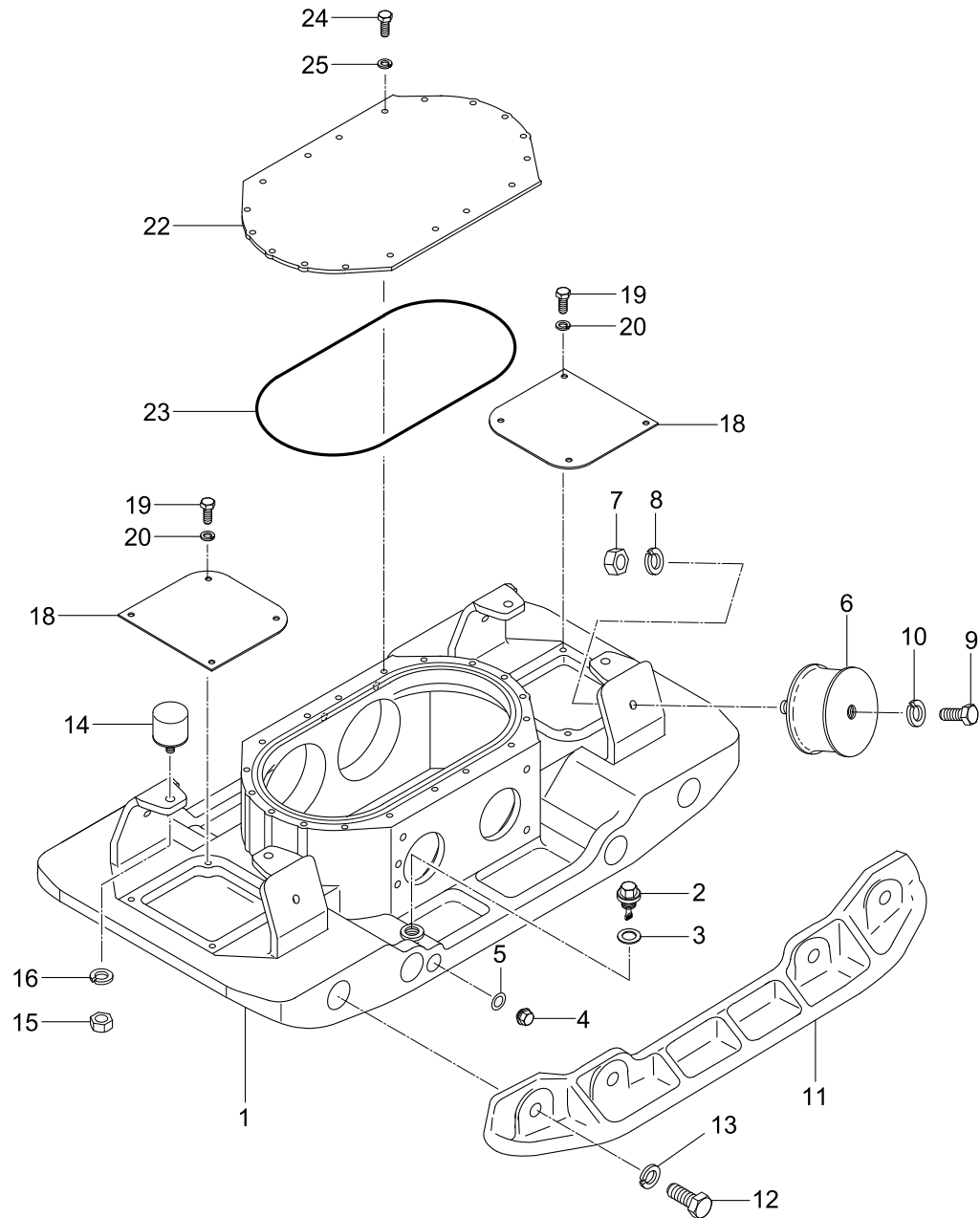
MIKASA SANGYO CO., LTD.
三笠産業株式会社

VIBRATING PLATE

MVH-508

4TV0

VIBRATING PLATE
転圧盤関係



VIBRATING PLATE

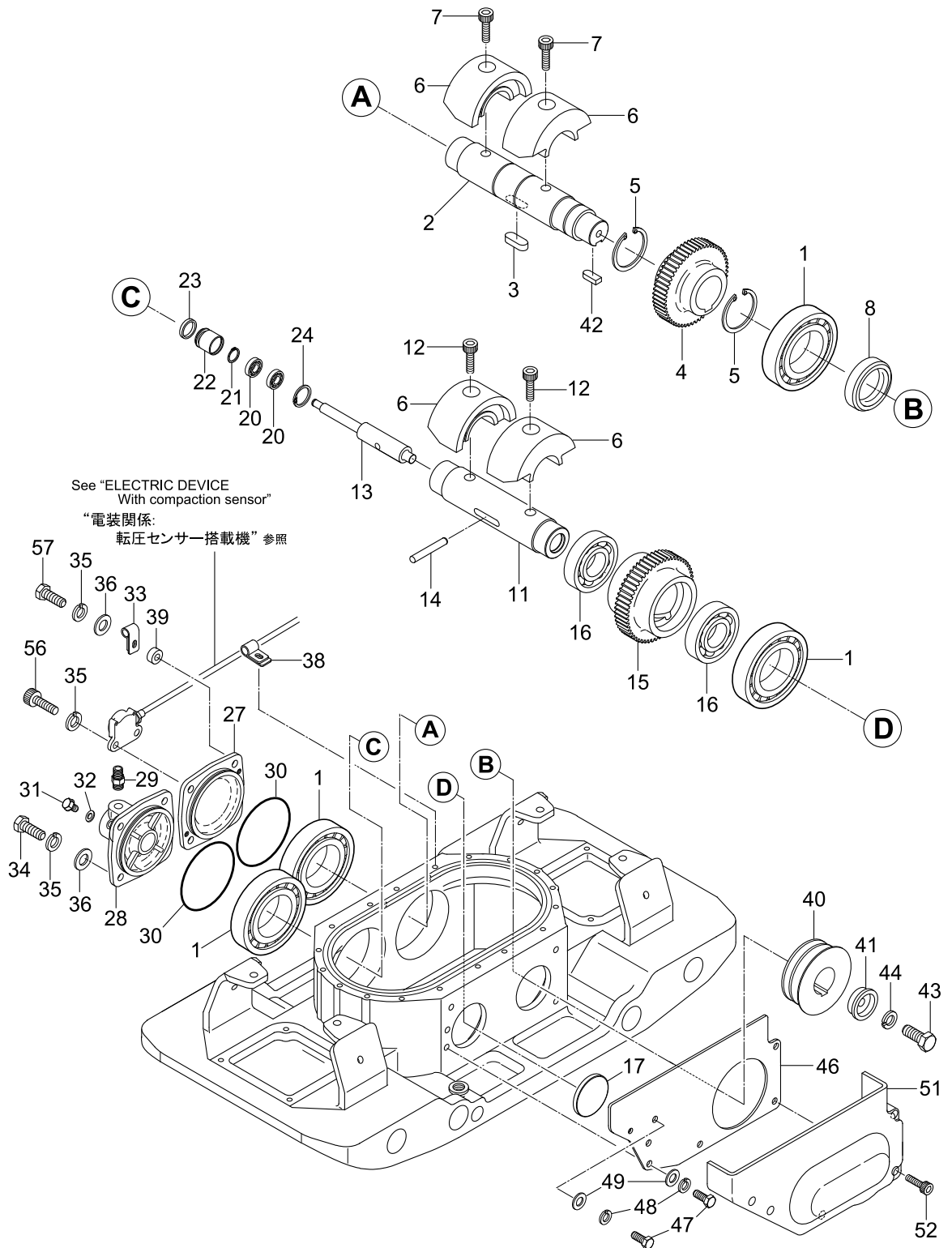
NO.	PART/NO.	PartsName	Q' TY	MK2	REMARKS	List Price
1	4681-21201	VIBRATING PLATE /MVH-408	1			225000
2	4654-60670	OIL GAUGE /MVH-406	1	SX		3500
3	9534-02930	COPPER PACKING 19X30X1	1			300
4	9534-00270	PLUG 1/4X14 10L	1			770
5	9534-05260	PACKING 1/4 (CU)	1			170
6	9390-10370	SHOCK ABSORBER 110X60H	4			9200
7	0203-16130	NUT M16	4			230
8	0302-16400	SW M16	4			48
9	0012-21635	BOLT 16X35 T	4			350
10	0302-16400	SW M16	4			48
11	4672-19050	EXTENSION PLATE /MVH-308	2			25900
12	0012-21850	BOLT 18X50 T	8			650
13	0302-18460	SW M18	8			72
14	9390-10010	SHOCK ABSORBER, STOPPER45	4			1190
15	0203-10080	NUT M10	4			48
16	0302-10250	SW M10	4			21
18	4683-52110	COVER, VIB. PLATE /MVH-408	2			2500
19	0012-20820	BOLT 8X20 T	8			88
20	0302-08200	SW M8	8			21
22	4673-51790	COVER, VIBRATOR /MVH-308	1			4900
23	0501-03250	O-RING G-325	1			3500
24	0012-20820	BOLT 8X20 T	18			88
25	0302-08200	SW M8	18			21

MVH-508

4TW0

VIBRATOR (With compaction sensor)

起振体関係 (転圧センサー搭載機)



VIBRATOR_PAS

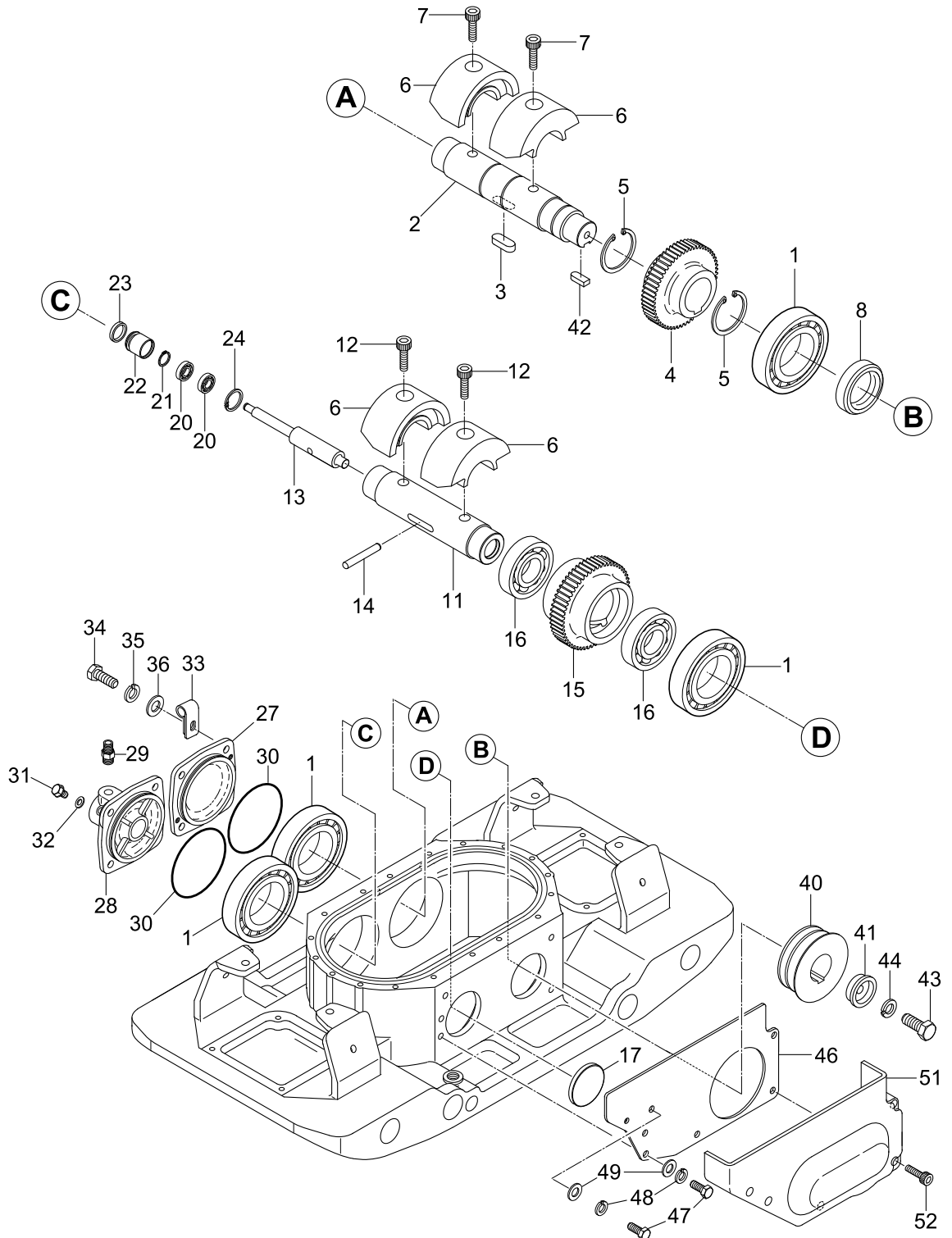
NO.	PART/NO.	PartsName	Q' TY	MK2	REMARKS	List Price
1	0479-20120	ROLLER BEARING NJ310EMC4	4			18000
2	4572-12410	ROTARY SHAFT, DRIVE/MVH400	1			34300
3	9514-05370	KEY 15X10X39 RR	1			850
4	4563-27150	GEAR, DRIVE /MVH-302	1			41800
5	0802-00550	STOP RING S-55	2			360
6	4693-52310	ECCENTRIC ROTATOR /MVH508	4			8000
7	0091-20301	SOCKET HEAD BOLT 16X40T	2			480
8	0601-05030	OIL SEAL SB-50729	1			1580
11	4563-37670	ROTARY SHAFT, DRIVEN/304B	1	SX		39100
12	0091-20302	SOCKET HEAD BOLT 16X30T	2	SX		300
13	4563-37380	PISTON ROD /MVH-304B	1			13400
14	4560-10010	KNOCK PIN 10X70 /MVH-302	1	SX		490
15	4673-51910	GEAR (DRIVEN) /MVH-308	1			60000
16	0400-06911	BEARING 6911	2			3860
17	9530-10030	SEAL CAP/SC72-8N	1			860
20	0425-06000	BEARING 6000ZZSG	2			820
21	0802-00100	STOP RING S-10	1			48
22	4554-35051	PISTON, 22. 4D /MVH-200	1	SX		3940
23	4550-10070	PACKING USH-22. 4X30X5	1			820
24	0801-00260	STOP RING R-26	1			110
27	4673-52540	BEARING COVER /MVH-308	1			5000
28	4672-19070	CYLINDER (R) /MVH-308	1			23100
29	9540-10020	CONNECTOR PT, PF1/4	1			520
30	0501-01050	O-RING G-105	2			320
31	0017-20812	FLANGEBOLT8X12	1			100
32	9534-04600	COPPER PACKING 8. 2X16X1. 6	1	SX		290
33	9594-08880	CLIP 15 (M10) /MVH-308	1			250
34	0012-21025	BOLT 10X25 T	5			160
35	0302-10250	SW M10	8			21
36	0311-10160	PW M10	6			36
38	9594-08920	CLIP 8 (M8) /MVH-308	1			250
39	7404-26290	SPACER 10. 5X22X10T	1			480
40	4693-52320	PULLEY / MVH-506	1			19000
41	4564-37920	WASHER, PULLEY /MVH-302	1			3270
42	9514-04970	KEY 12X8X30 R	1			810
43	0012-21235	BOLT 12X35 T	1			220
44	0302-12300	SW M12	1			21
46	4673-51920	GUIDE, BELT COVER/MVH-308	1			3450
47	0012-20820	BOLT 8X20 T	2			88
48	0302-08200	SW M8	2			21
49	0311-08160	PW M8	2			36
51	4692-19030	BELT COVER, LOWER/MVH-508	1			18500
52	0015-20860	SOCKET HEAD BOLT 8X100 T	5			190
56	0015-21030	SOCKET HEAD BOLT 10X30 T	2			140
57	0012-21035	BOLT 10X35 T	1			160

MVH-508

4TX0

VIBRATOR (Without compaction sensor)

起振体関係 (転圧センサー非搭載機)



VIBRATOR_NOT PAS

NO.	PART/NO.	PartsName	Q' TY	MK2	REMARKS	List Price
1	0479-20120	ROLLER BEARING NJ310EMC4	4			18000
2	4572-12410	ROTARY SHAFT, DRIVE/MVH400	1			34300
3	9514-05370	KEY 15X10X39 RR	1			850
4	4563-27150	GEAR, DRIVE /MVH-302	1			41800
5	0802-00550	STOP RING S-55	2			360
6	4693-52310	ECCENTRIC ROTATOR /MVH508	4			8000
7	0091-20301	SOCKET HEAD BOLT 16X40T	2			480
8	0601-05030	OIL SEAL SB-50729	1			1580
11	4563-37670	ROTARY SHAFT, DRIVEN/304B	1	SX		39100
12	0091-20302	SOCKET HEAD BOLT 16X30T	2	SX		300
13	4563-37380	PISTON ROD /MVH-304B	1			13400
14	4560-10010	KNOCK PIN 10X70 /MVH-302	1	SX		490
15	4673-51910	GEAR (DRIVEN) /MVH-308	1			60000
16	0400-06911	BEARING 6911	2			3860
17	9530-10030	SEAL CAP/SC72-8N	1			860
20	0425-06000	BEARING 6000ZZSG	2			820
21	0802-00100	STOP RING S-10	1			48
22	4554-35051	PISTON, 22. 4D /MVH-200	1	SX		3940
23	4550-10070	PACKING USH-22. 4X30X5	1			820
24	0801-00260	STOP RING R-26	1			110
27	4673-52540	BEARING COVER /MVH-308	1			5000
28	4672-19070	CYLINDER (R) /MVH-308	1			23100
29	9540-10020	CONNECTOR PT, PF1/4	1			520
30	0501-01050	O-RING G-105	2			320
31	0017-20812	FLANGEBOLT8X12	1			100
32	9534-04600	COPPER PACKING 8. 2X16X1. 6	1	SX		290
33	9594-08880	CLIP 15 (M10) /MVH-308	1			250
34	0012-21025	BOLT 10X25 T	8			160
35	0302-10250	SW M10	8			21
36	0311-10160	PW M10	8			36
40	4693-52320	PULLEY / MVH-506	1			19000
41	4564-37920	WASHER, PULLEY /MVH-302	1			3270
42	9514-04970	KEY 12X8X30 R	1			810
43	0012-21235	BOLT 12X35 T	1			220
44	0302-12300	SW M12	1			21
46	4673-51920	GUIDE, BELT COVER/MVH-308	1			3450
47	0012-20820	BOLT 8X20 T	2			88
48	0302-08200	SW M8	2			21
49	0311-08160	PW M8	2			36
51	4692-19030	BELT COVER, LOWER/MVH-508	1			18500
52	0015-20860	SOCKET HEAD BOLT 8X100 T	5			190

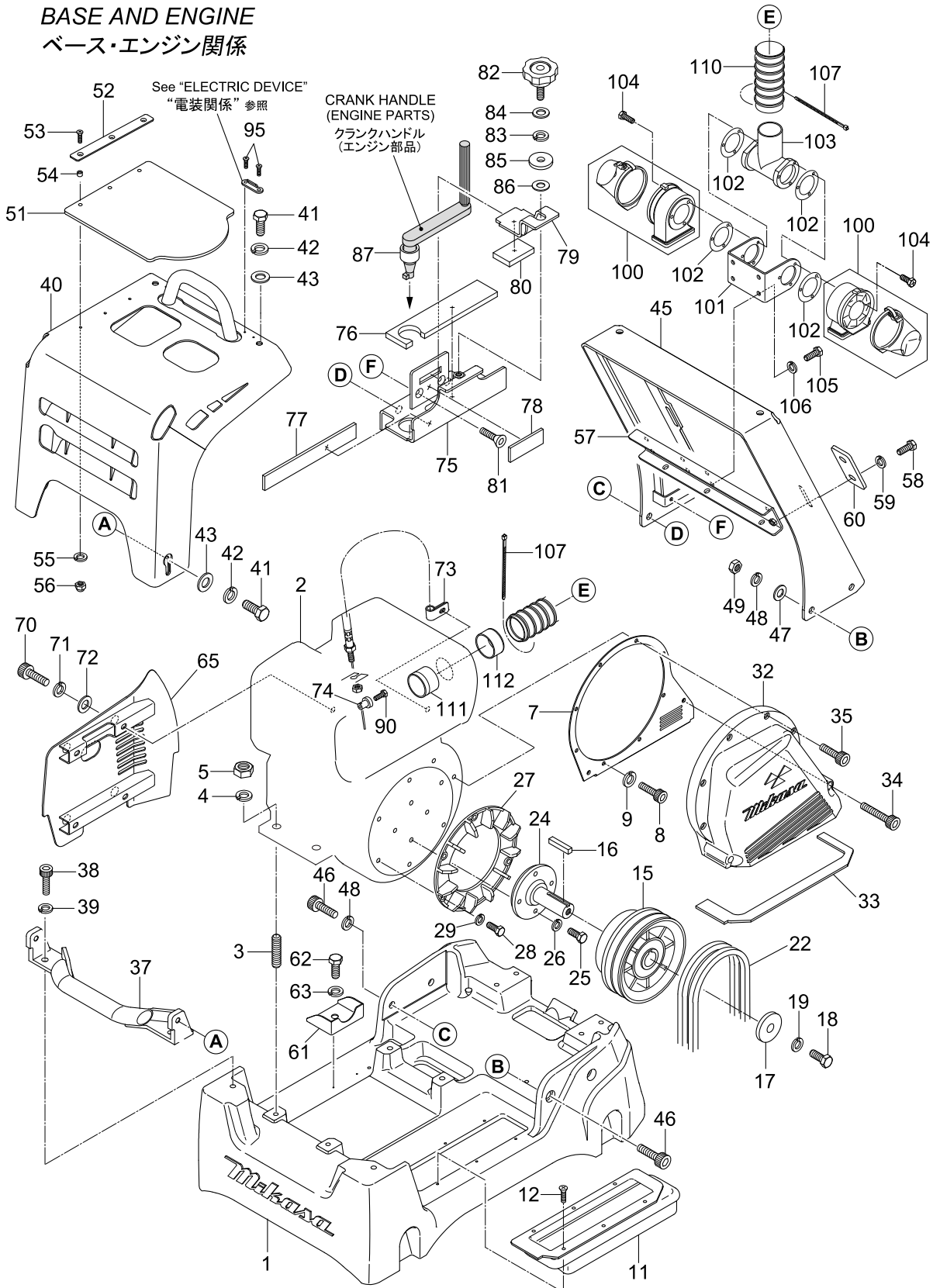
BASE AND ENGINE

MVH-508

BASE AND ENGINE

ベース・エンジン関係

4UA0



BASE AND ENGINE

NO.	PART/NO.	PartsName	Q' TY	MK2	REMARKS	List Price
1	4691-21280	BASE /1D81 /MVH-508	1			198000
2	9184-01200	ENGINE AY/1D81/EPA4/508Z	1			0
3	0091-20205	STUD BOLT 12X25 T	4			200
4	0302-12300	SW M12	4			21
5	0203-12100	NUT M12	4			110
7	4693-52260	BELT COVER, IN /MVH-508DSZ	1			6400
8	0015-21020	SOCKET HEAD BOLT 10X20 T	3			92
9	0302-10250	SW M10	3			21
11	4692-18980	DUST COVER /MVH-508	1			6700
12	0920-06010	FLAT HEAD SCREW 6X10	6			28
15	4693-52390	CLUTCH AY /MVH-508	1			60000
16	9510-10130	KEY 7X7X49	1			360
17	9524-01390	WASHER 11X40X6	1			1070
18	0012-21025	BOLT 10X25 T	1			160
19	0302-10250	SW M10	1			21
22	0702-00483	V-BELT HDPF-5480	2			5000
24	4573-39571	STUB SHAFT (1D-81) FAN/502B	1			17200
25	0012-20830	BOLT 8X30 T	4			88
26	0302-08200	SW M8	4			21
27	4573-36380	FAN /MVH-502	1			10700
28	0012-20820	BOLT 8X20 T	6			88
29	0302-08200	SW M8	6			21
32	4692-18990	BELT COVER (OUT)/MVH-508	1			37500
33	4693-52270	DUST SPONGE (OUT)/MVH-508	1			1500
34	0015-21058	SOCKET HEAD BOLT 10X90 T	2			350
35	0015-21045	SOCKET HEAD BOLT 10X45 T	5			140
37	4693-52280	FRONT BUNPER /MVH-508	1			32200
38	0015-21435	SOCKET HEAD BOLT 14X35 T	2			280
39	0302-14350	SW M14	2			48
40	4691-21290	FRONT COVER, 1D81/MVH-508	1			69500
41	0012-21435	BOLT 14X35 T	4			300
42	0302-14350	SW M14	4			48
43	0311-14260	PW M14	4			92
45	4692-19330	CENTER COVER/MVH-508	1			55000
46	0015-21440	SOCKET HEAD BOLT 14X40 T	4	SX		280
47	0311-14260	PW M14	2			92
48	0302-14350	SW M14	4			48
49	0203-14110	NUT M14	2			180
51	4684-66890	RUBBER COVER, UPPER/408	1			2750
52	4674-66760	STOPPER, COVER/MVH-308Z, Y	1			1600
53	0091-20424	SOCKET HEAD BOLT 6X25T	3			160
54	6174-65130	COLLAR 6. 2X7. 8X4. 5	3			90
55	0302-06150	SW M6	3			21
56	0227-10607	NYLON NUT M6	3			48
57	4693-52890	CLEANER STAY /MVH-508	1			3950
58	0012-20825	BOLT 8X25 T	4			88
59	0302-08200	SW M8	4			21

BASE AND ENGINE

NO.	PART/NO.	PartsName	Q' TY	MK2	REMARKS	List Price
60	4674-67580	PLATE, CLEANER STAY/1B30	2			1600
61	4694-67000	GUIDE, DRAIN /MVH-508	1			2350
62	0012-20815	BOLT 8X15 T	1			88
63	0302-08200	SW M8	1			21
65	4692-19010	SIDE COVER /MVH-508	1			34000
70	0015-21251	SOCKET HEAD BOLT 12X55 T	4			230
71	0302-12300	SW M12	4			21
72	0311-12230	PW M12	4			54
73	206-75501-01	CLAMP COMPL	1			230
74	DH5-06420-00	CLAMP /1D81	1			0
75	4692-19120	HOLDER, CRANK HANDLE/508	1			7800
76	4694-67320	PULYURETHANE SEAT 222X50	1			1450
77	4694-67310	PULYURETHANE SEAT 220X30	1			900
78	4694-67300	PULYURETHANE SEAT 80X30X5	1			650
79	4693-52530	HOLDER, CRANK HANDLE	1			12900
80	4694-67330	PULYURETHANE SEAT 60X40	1			670
81	0091-20408	SUNK HEAD BOLT 8X20 T	2			140
82	9594-06961	GRIP BOLT 45X10X30	1			900
83	0302-10250	SW M10	1			21
84	0311-10160	PW M10	1			36
85	9524-03450	WASHER 11X35X4.5	1			360
86	9520-08940	SEAL WASHER 10X17X1.6	1			300
87	4694-67190	RUBBER PIPE 25X33X20	1			250
90	0012-20610	BOLT 6X10 T	1			64
95	0091-20420	SOCKET HEAD BOLT 5X10T	4			40
100	4662-18080	CLEANER, CYCLONE/MVH-206	2			4000
101	4693-52300	CYCLONE STAY /MVH-508	1			3770
102	4664-62850	GASKET, AIR INTAKE/206	4			500
103	4692-19020	JOINT, C-CLEANER/MVH-508	1			8000
104	0091-10057	SOCKET HEAD BOLT/5X18	6			100
105	0012-20815	BOLT 8X15 T	4			88
106	0302-08200	SW M8	4			21
107	5060-10060	CLAMP TC-350	2			300
110	4663-48590	DUCT HOSE 50X270L	1			2500
111	4694-67010	INTAKE PIPE /MVH-308DSZ	1			6500
112	4664-62840	DUCT GROMMET	1			300

ELECTRIC DEVICE_PAS

NO.	PART/NO.	PartsName	Q' TY	MK2	REMARKS	List Price
1	4672-18920	BATTERY HOLDER /MVH-308	1			4400
2	4564-47590	RUBBER PLATE (E) 28X240X5	1			1770
3	4564-47600	RUBBER PLATE 50X240X10	2			3210
4	0012-21020	BOLT 10X20 T	2			110
5	0302-10250	SW M10	2			21
9	4643-43740	HOLDER, BATTERY / MVH-306	1			2310
10	4694-67170	BOLT, BATTERY /MVH-508	2			1050
11	0227-10809	NYLON NUT M8	2			72
12	0311-08160	PW M8	2			36
14	9553-01030	BATTERY CABLE (+) 1050L	1			3900
15	9553-01040	BATTERY CABLE (-) 450L	1			2650
16	5060-10070	CLAMP TC-150	4			65
18	4691-21300	REAR COVER /MVH-508D	1			66000
23	0012-20820	BOLT 8X20 T	1			88
24	0302-08200	SW M8	1			21
25	0311-08160	PW M8	1			36
26	9594-08920	CLIP 8 (M8) /MVH-308	1			250
28	4044-33430	RUBBER 20X32X28.5/52H	2			600
29	0015-21051	SOCKET HEAD BOLT 10X55 T	2			180
30	0302-10250	SW M10	2			21
31	9524-03450	WASHER 11X35X4.5	2			360
32	4674-67250	RUBBER WASHER 20X35X3	2			130
33	4174-54420	COLLAR 10.5-20-37.5L	2			1070
35	4694-67470	CATCH CLIP /MVH-508	2			5150
36	0091-20421	SOCKET HEAD BOLT 5X15T	4			80
40	4693-52340	BRACKET, STOPPER /MVH-508	1			3800
41	9390-10360	STOPPER RUBBER 30X20H-70	2			1340
42	0203-08060	NUT M8	2			36
43	0302-08200	SW M8	2			21
45	0012-20520	BOLT 5X20 T	3			52
46	0302-05130	SW M5	3			21
47	0227-10506	NYLON NUT M5	3			48
48	4674-66930	RUBBER PLATE, BATTERY/308D	1			1550
49	4674-66920	STOPPER, RUB-PLATE/MVH-308	1			1550
50	4540-10020	CLAMP TC-100	7			65
51	4693-10010	SENSOR PANEL /MVH-508	1			280000
52	4643-50510	PACKING, SENSOR	1			750
53	0091-10062	SOCKET HEAD SCREW 6X20	4			80
54	0311-06100	PW M6	4			21
55	0302-06150	SW M6	4			21
56	0227-10607	NYLON NUT M6	4			48
60	4673-52040	ACCELERATION SENSOR AY	1			62500
62	4644-64350	SENSOR HOLDER COVER/306	1			1750
63	0091-20420	SOCKET HEAD BOLT 5X10T	2			40
65	9590-21812	SPIRAL TUBE 6D-800L	1			170
66	4673-52480	HARNESS, SENSOR /MVH-308	1			4800
67	5154-50380	WIRE HARNESS /MRH-600, 700	1	SX		380

ELECTRIC DEVICE_PAS

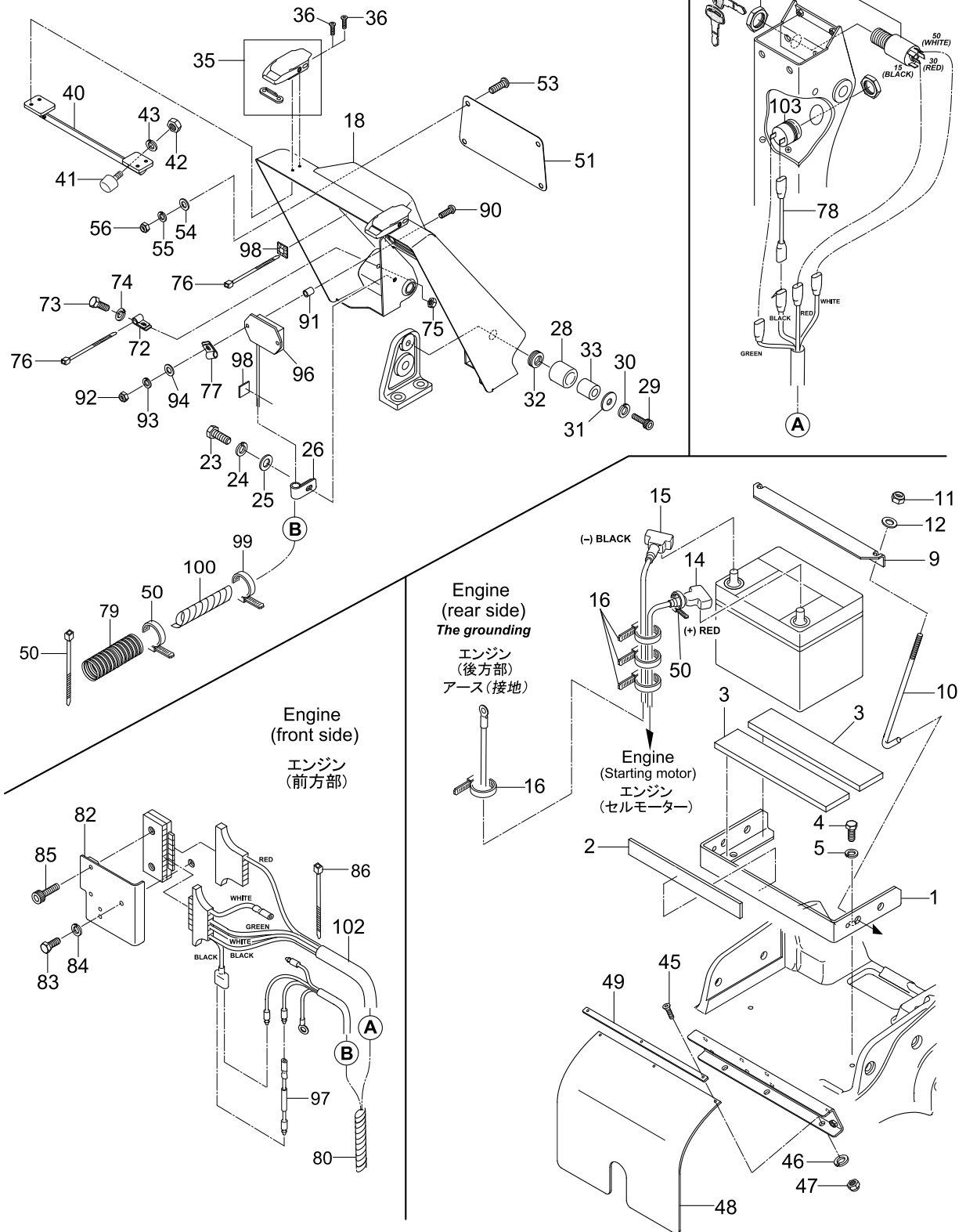
NO.	PART/NO.	PartsName	Q' TY	MK2	REMARKS	List Price
68	4673-52850	FUSE HOLDER, SENSOR/DSCPAS	1			2800
68-1	4670-10010	FUSE (2A-SMALL) /MVH-308	1			380
69	9554-08440	LEAD CORD/500L	1			750
70	5060-10070	CLAMP TC-150	9			65
72	9594-08920	CLIP 8 (M8) /MVH-308	1		ONLY COMPAS	250
73	0012-20820	BOLT 8X20 T	1		ONLY COMPAS	88
74	0302-08200	SW M8	1		ONLY COMPAS	21
75	0203-08060	NUT M8	1		ONLY COMPAS	36
76	5060-10070	CLAMP TC-150	1		ONLY COMPAS	65
77	206-75501-01	CLAMP COMPL	1		ONLY COMPAS	230
78	4654-59680	RELAY CABLE/BUZZER	1			750
79	9590-26022	CORRUGATE TUBE 600L/308	1			900
80	9590-20014	SPIRAL TUBE KEP-12-500L	1			450
82	4693-52400	PANEL, WITH BUZZER/MVH508	1			3900
83	0012-20635	BOLT 6X35 T	1			88
84	0302-06150	SW M6	1			21
85	0015-20530	SOCKET HEAD BOLT 5X30 T	2			48
86	5060-10070	CLAMP TC-150	1			65
90	0091-10072	PAN HEAD SCREW 5X35	2			120
91	9524-07930	COLLAR 6X10X13.5	2			1250
92	0227-10506	NYLON NUT M5	2			48
93	0302-05130	SW M5	2			21
94	0311-05080	PW M5	2			21
96	9553-01020	TACHO&HOUR METER/L, 1B, 1D	1			15800
97	4694-67040	RESISTOR, TACHO /MVH-508	1			2000
98	9554-09080	WIRING FIXED BASE 25X25	2			0
99	4540-10020	CLAMP TC-100	2			65
100	9590-21813	SPIRAL TUBE 6D-650L	1			170
101	50384401	SWITCH, KEY A, Y/ID81	1			44300
101-1	50404900	IGNITION SWITCH KEY	1			5340
102	4693-52350	WIRE HARNESS/MVH-508	1			9000
103	50465100	BUZZER 12/24V.	1			32100

ELECTRIC DEVICE_NOT PAS

MVH-508

ELECTRIC DEVICE : Without compaction sensor

電装関係 : 転圧センサー非搭載機



ELECTRIC DEVICE_NOT PAS

NO.	PART/NO.	PartsName	Q' TY	MK2	REMARKS	List Price
1	4672-18920	BATTERY HOLDER /MVH-308	1			4400
2	4564-47590	RUBBER PLATE (E) 28X240X5	1			1770
3	4564-47600	RUBBER PLATE 50X240X10	2			3210
4	0012-21020	BOLT 10X20 T	2			110
5	0302-10250	SW M10	2			21
9	4643-43740	HOLDER, BATTERY / MVH-306	1			2310
10	4694-67170	BOLT, BATTERY /MVH-508	2			1050
11	0227-10809	NYLON NUT M8	2			72
12	0311-08160	PW M8	2			36
14	9553-01030	BATTERY CABLE (+) 1050L	1			3900
15	9553-01040	BATTERY CABLE (-) 450L	1			2650
16	5060-10070	CLAMP TC-150	4			65
18	4691-21300	REAR COVER /MVH-508D	1			66000
23	0012-20820	BOLT 8X20 T	1			88
24	0302-08200	SW M8	1			21
25	0311-08160	PW M8	1			36
26	9594-08920	CLIP 8 (M8) /MVH-308	1			250
28	4044-33430	RUBBER 20X32X28.5/52H	2			600
29	0015-21051	SOCKET HEAD BOLT 10X55 T	2			180
30	0302-10250	SW M10	2			21
31	9524-03450	WASHER 11X35X4.5	2			360
32	4674-67250	RUBBER WASHER 20X35X3	2			130
33	4174-54420	COLLAR 10.5-20-37.5L	2			1070
35	4694-67470	CATCH CLIP /MVH-508	2			5150
36	0091-20421	SOCKET HEAD BOLT 5X15T	4			80
40	4693-52340	BRACKET, STOPPER /MVH-508	1			3800
41	9390-10360	STOPPER RUBBER 30X20H-70	2			1340
42	0203-08060	NUT M8	2			36
43	0302-08200	SW M8	2			21
45	0012-20520	BOLT 5X20 T	3			52
46	0302-05130	SW M5	3			21
47	0227-10506	NYLON NUT M5	3			48
48	4674-66930	RUBBER PLATE, BATTERY/308D	1			1550
49	4674-66920	STOPPER, RUB-PLATE/MVH-308	1			1550
50	4540-10020	CLAMP TC-100	7			65
51	4673-52050	PANEL, REAR COVER/MVH-308	1			2800
53	0091-10062	SOCKET HEAD SCREW 6X20	4			80
54	0311-06100	PW M6	4			21
55	0302-06150	SW M6	4			21
56	0227-10607	NYLON NUT M6	4			48
72	9594-08920	CLIP 8 (M8) /MVH-308	1			250
73	0012-20820	BOLT 8X20 T	1			88
74	0302-08200	SW M8	1			21
75	0203-08060	NUT M8	1			36
76	5060-10070	CLAMP TC-150	1			65
77	206-75501-01	CLAMP COMPL	1			230
78	4654-59680	RELAY CABLE/BUZZER	1			750

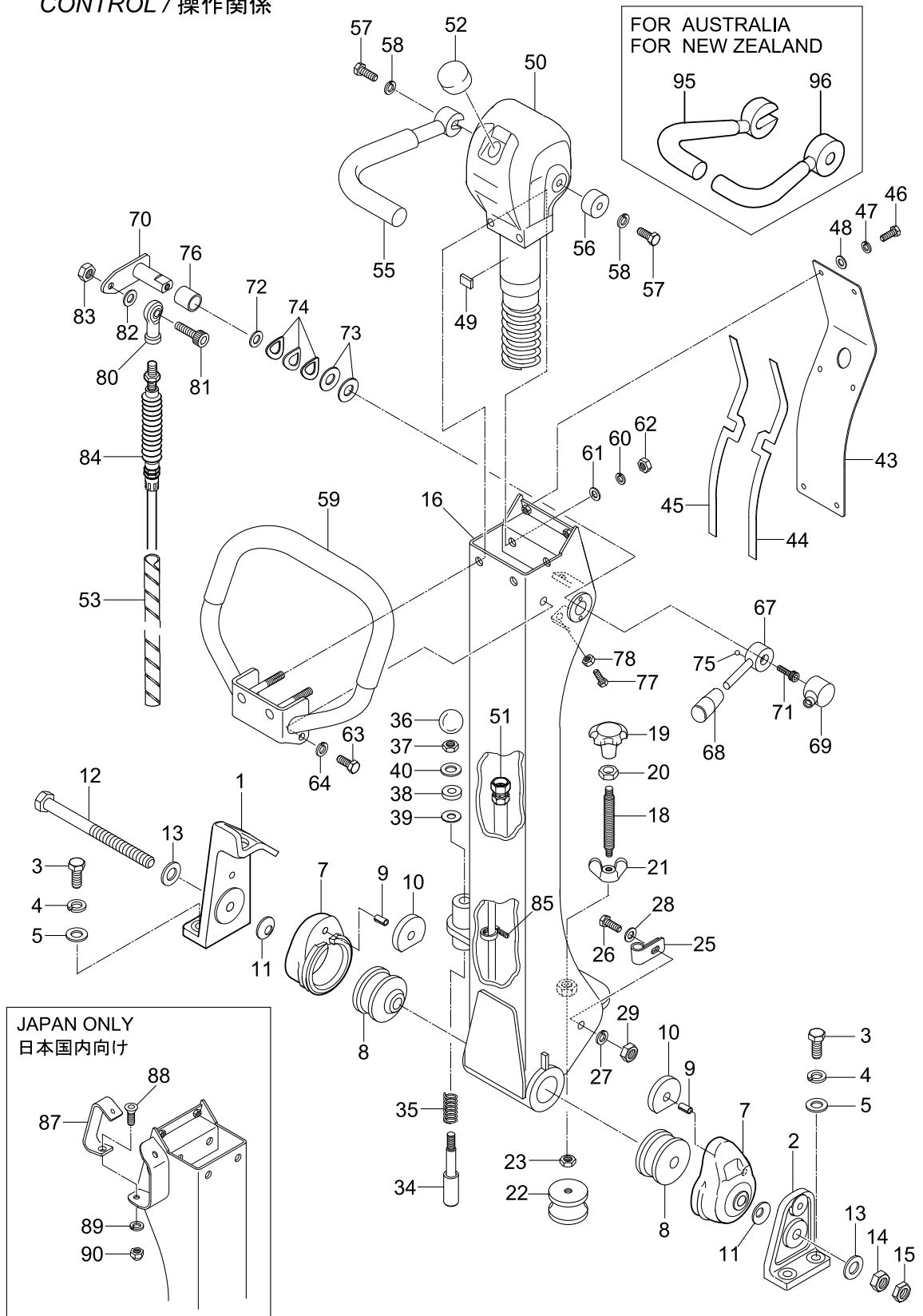
ELECTRIC DEVICE_NOT PAS

NO.	PART/NO.	PartsName	Q' TY	MK2	REMARKS	List Price
79	9590-26021	CORRUGATE TUBE 400L/508	1			450
80	9590-20014	SPIRAL TUBE KEP-12-500L	1			450
82	4693-52400	PANEL, WITH BUZZER/MVH508	1			3900
83	0012-20635	BOLT 6X35 T	1			88
84	0302-06150	SW M6	1			21
85	0015-20530	SOCKET HEAD BOLT 5X30 T	2			48
86	5060-10070	CLAMP TC-150	1			65
90	0091-10072	PAN HEAD SCREW 5X35	2			120
91	9524-07930	COLLAR 6X10X13.5	2			1250
92	0227-10506	NYLON NUT M5	2			48
93	0302-05130	SW M5	2			21
94	0311-05080	PW M5	2			21
96	9553-01020	TACHO&HOUR METER/L, 1B, 1D	1			15800
97	4694-67040	RESISTOR, TACHO /MVH-508	1			2000
98	9554-07970	WIRING FIXED BASE/MVH-206	2			250
99	4540-10020	CLAMP TC-100	2			65
100	9590-21813	SPIRAL TUBE 6D-650L	1			170
101	50384401	SWITCH, KEY A, Y/ID81	1			44300
101 -1	50404900	IGNITION SWITCH KEY	1			5340
102	4693-52350	WIRE HARNESS/MVH-508	1			9000
103	50465100	BUZZER 12/24V.	1			32100

CONTROL

MVH-508
CONTROL / 操作関係

4UC0



CONTROL

NO.	PART/NO.	PartsName	Q' TY	MK2	REMARKS	List Price
1	4673-51950	HANDLE BRACKET (R) /MVH-308	1			9100
2	4673-51960	HANDLE BRACKET (L) /MVH-308	1			5000
3	0012-21235	BOLT 12X35 T	4			220
4	0302-12300	SW M12	4			21
5	0311-12230	PW M12	4			54
7	4563-36400	RUBBER COUPLING/MVH303DSA	2	SX		4020
8	4564-49940	SHOCK ABSORBER/MVH-303DSA	2			3750
9	0254-06016	SPRING PIN 6X16	2			72
10	4564-49930	RUBBER PLATE /MVH-303DSA	2			330
11	0321-24400	CONICAL SPRING WASHER M24	2			770
12	0012-21681	BOLT 16X250 T	1			2360
13	0311-16260	PW M16	2			120
14	0203-16130	NUT M16	1			230
15	0204-16100	NUT M16, H=10	1			230
16	4671-21170	HANDLE BAR /MVH-308DSZ	1			47000
18	4554-34950	SPINDLE /MVH-200	1	SX		3380
19	4550-10030	KNOB /MVH-200	1			1800
20	0204-12070	NUT M12, H=7	1			110
21	0224-11635	WING NUT M16	1			720
22	9390-10060	SHOCK ABSORBER 60/MVH-200	1			2070
23	0204-10060	NUT M10, H=6	1			48
25	9594-08930	CLIP 15 (M6) /MVH-308	1			300
26	0012-20620	BOLT 6X20 T	1			64
27	0302-06150	SW M6	1			21
28	0311-06100	PW M6	1			21
29	0203-06050	NUT M6	1			28
34	5014-02870	HANDLE STOPPER /MDR	1	SX		3550
35	5014-02880	SPRING/HANDLE (1. 4X18X44)	1			660
36	9594-03460	BALL GRIP 32D-M10	1			1300
37	0204-10060	NUT M10, H=6	1			48
38	4564-49980	RUBBER PACKING 9D-20D-5T	1			170
39	9534-05260	PACKING 1/4 (CU)	1			170
40	0311-10160	PW M10	1			36
43	4673-51970	HANDLE COVER/MVH-306DSZ	1			14800
44	4674-67340	PACKING (L) , HANDLE/MVH-308	1			540
45	4674-67350	PACKING (R) , HANDLE/MVH-308	1			540
46	0012-20615	BOLT 6X15 T	6			64
47	0302-06150	SW M6	6			21
48	0311-06100	PW M6	6			21
49	4644-57930	RUBBER PIECE (T2) /MVH-306	1			300
50	4692-19180	HAND PUMP (EXP.) /MVH-508	1			126000
51	9540-03100	OIL HOSE 1200L /MVH-308	1			6900
52	4584-51630	BREATHER CAP/ MVH-100/150	1			330
53	9590-21813	SPIRAL TUBE 6D-650L	1			170
55	4642-16630	TRAVEL LEVER /MVH-306	1	SX		9100
56	4644-57400	HANDLE BOSS/MVH-306	1			1070
57	0012-21030	BOLT 10X30 T	2			160

CONTROL

NO.	PART/NO.	PartsName	Q' TY	MK2	REMARKS	List Price
58	0302-10250	SW M10	2			21
59	4672-18900	GRIP /MVH-308	1			20300
60	0302-10250	SW M10	2			21
61	0311-10160	PW M10	2			36
62	0203-10080	NUT M10	2			48
63	0012-21025	BOLT 10X25 T	2			160
64	0302-10250	SW M10	2			21
67	4674-67380	THROTTLE LAVER/MVH-308DSY	1			9100
68	9594-03840	BAR GRIP, I. D. 12MM	1			480
69	4644-57420	COVER , THROTTLE LEVER/306	1			540
70	4644-57350	ARM, THROTTLE / MVH-306	1			4820
71	0015-20820	SOCKET HEAD BOLT 8X20 T	1			72
72	0311-16260	PW M16	1			120
73	4584-50660	WASHER 16. 4-35-0. 6/MVH120	2			170
74	0339-10080	CONICAL SW 16. 3X31. 5X1. 2	3			220
75	4644-57440	STEEL BALL D6 (SUJ)	1			110
76	4640-10010	DRY BUSHING / LFB-1620	1			400
77	0012-20625	BOLT 6X25 T	2			64
78	0203-06050	NUT M6	2			28
80	4640-10020	ROD END M5	1			1500
81	0015-20520	SOCKET HEAD BOLT 5X20 T	1			48
82	0311-05080	PW M5	1			21
83	0203-05040	NUT M5	1			27
84	9561-00071	THROTTLE WIRE/1D81/MVH508	1			6600
85	4540-10020	CLAMP TC-100	1			65
87	4673-52750	GUARD, KEY (JP)/MVH-308	1		JAPAN ONLY	2100
88	0091-20408	SUNK HEAD BOLT 8X20 T	2		JAPAN ONLY	140
89	0302-08200	SW M8	2		JAPAN ONLY	21
90	0221-30806	CAP NUT M8	2		JAPAN ONLY	92
95	4642-16820	TRAVEL LEVER (R) /MVH-306	1	SX	AUS, NZ ONLY	8560
96	4642-16830	TRAVEL LEVER (L) /MVH-306	1	SX	AUS, NZ ONLY	8560

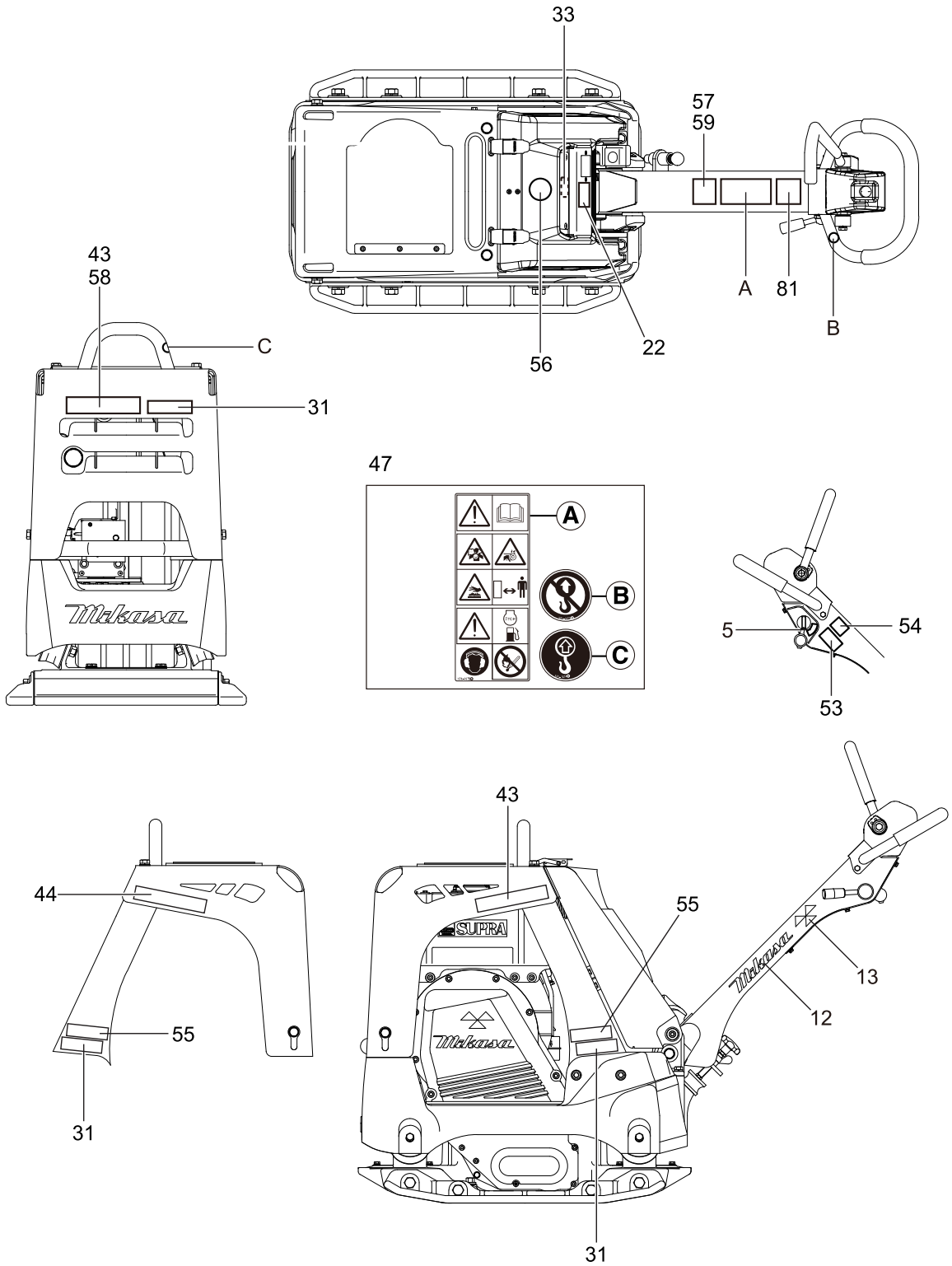
HAND PUMP AY

NO.	PART/NO.	PartsName	Q' TY	MK2	REMARKS	List Price
A	4692-19180	HAND PUMP (EXP.)/MVH-508	1			126000
B	4699-10020	ACCUMULATOR CP/508/EXP	1			0
C	4649-10080	O-RING & DUST, SEAL, SET	1			2760
2	4640-10040	CONTROL SHAFT (PUMP) MVH306	1	SX		12000
3	4670-10020	BUSH /MVH-308	2		INCL. 16. 17	10400
4	4640-10060	CAM (PUMP) /MVH-306	1	SX		14000
9	4640-10070	STOPPER (PUMP) /MVH-306	2			2800
10	0992-05005	SOCKET HEAD SCREW 5X5 T	2			48
11	4640-10080	PLUG/MVH-306	1	SX	INCL. 18	7200
12	4640-10090	PIN, STOPPER (PUMP) /MVH-306	2			2000
13	4640-10100	PLUG/MVH-306	2	SX		400
14	4580-10080	BREATHER (PUMP) MVH100/150	1	SX	INCL. 19	7710
15	0015-20620	SOCKET HEAD BOLT 6X20 T	1			48
16	0502-00200	O-RING P-20	2			120
17	0502-00220	O-RING P-22	2			120
18	0503-00380	O-RING S-38	1			160
19	0502-00180	O-RING P-18	1			120
22	4640-10111	ACCUMULATOR CASE/306 (NEW)	1	SX		13200
26	0503-00400	O-RING S-40	1			180
27	0502-00150	O-RING P-15	1			92
28	0501-00400	O-RING G-40	1			140
50	4640-10120	SPRING PLUG /MVH-306	1	SX		7200
51	4584-51630	BREATHER CAP/ MVH-100/150	1			330
52	0699-04010	DUST SEAL SER-40	1			850
53	0699-01010	DUST SEAL SER-15	1			700
54	4689-10030	ACCUMULATOR SPRING SET/408	1		SET	0
81	9840-10060	SPRG. COMPRESSION TOOL/EXP	1		TOOL. EXP	22800
82	9840-10040	DISASSEMBLING TOOL A/306	1		TOOL	11600
83	9840-10050	DISASSEMBLING TOOL B/306	1		TOOL	9000

DECAL AND NAME PLATE_OVERSEAS

MVH-508
DECAL AND NAME PLATE (OVERSEAS)
銘板関係 (海外向け仕様)

4UD0



DECAL AND NAME PLATE_OVERSEAS

NO.	PART/NO.	PartsName	Q' TY	MK2	REMARKS	List Price
8	073-20044-60	LABEL (STARTER SWITCH)	1			350
22	9202-18150	DECAL, E/G RPM 2400	1			230
31	9202-17650	DECAL COMPASS MARK 110MM	1		COMPAS ONLY	400
33	9202-17890	DECAL, MODEL MVH-508	1		COMPAS ONLY	0
41	9202-17130	DECAL, MIKASA MARK (W) 200L	2			1000
42	9202-17110	DECAL, MIKASA MARK 35X70	2			250
43	9202-17790	DECAL, MODEL (R, GR) /MVH-508	2		GREEN COVER	0
43	9202-17810	DECAL, MODEL (R, OR) /MVH-508	2		ORANGE COVER	1000
44	9202-17800	DECAL, MODEL (L, GR) /MVH-508	1		GREEN COVER	0
44	9202-17820	DECAL, MODEL (L, OR) /MVH-508	1		ORANGE COVER	1000
47	9209-00110	DECAL, SET/MVH-MRH/EXP, EU	1			500
53	9202-14950	DECAL, REMOVE KEY	1			0
54	9202-14960	DECAL, KEY OPERATION	1			0
55	9202-13050	DECAL, IMER 35X100 /MTX	2		IMER ONLY	0
56	9202-08540	DECAL, MARK (IMER)	1		IMER ONLY	170
57	9202-17240	DECAL, IMER, 3ANS GARANTIE	1		IMER ONLY	0
58	9202-18530	DECAL, HUTTER 40X260/508D	3		HUTTER ONLY	0
59	9202-18360	DECAL, RUSSIA (EAC) CERTIF.	1		RUSSIA ONLY	0
81	9202-10670	DECAL, EC NOISE REQ. LWA109	3			150