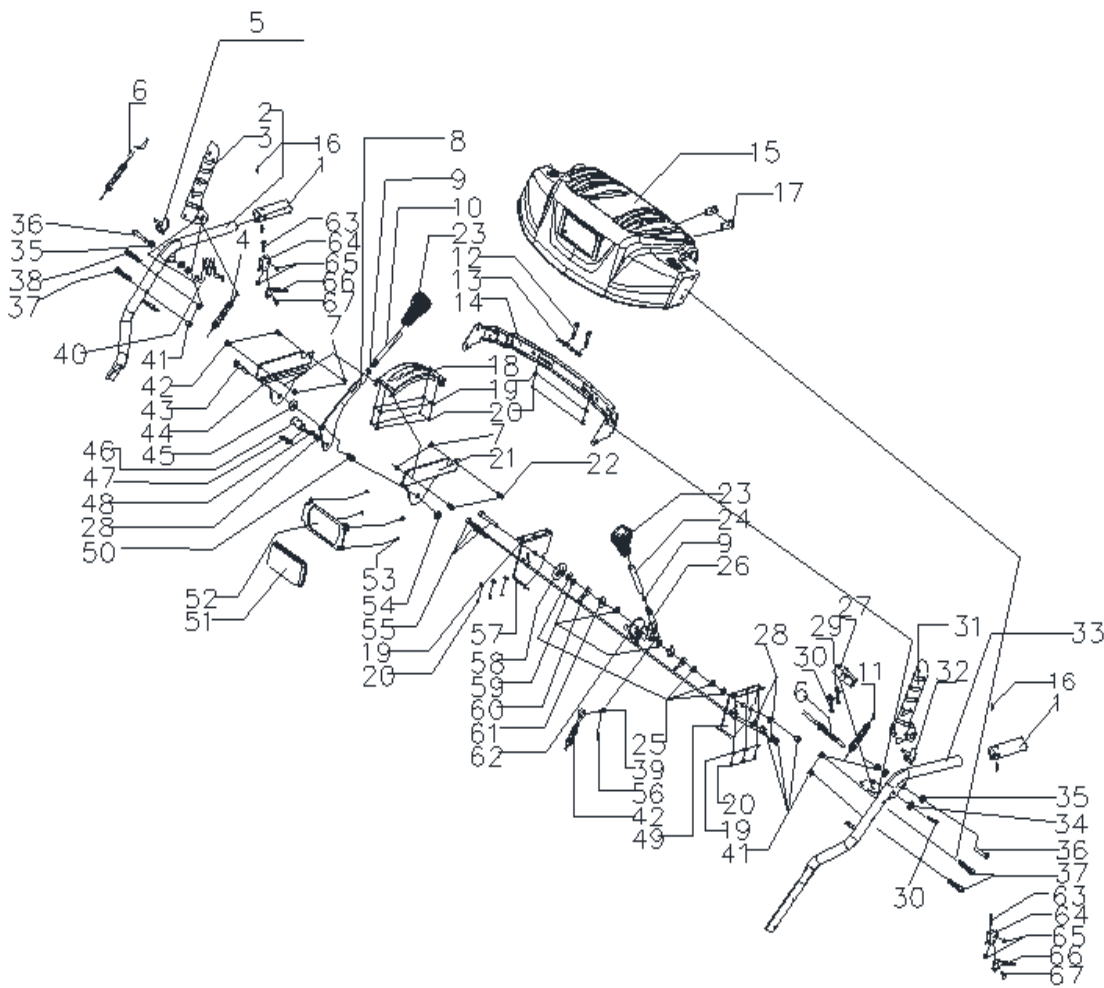


Spare parts list

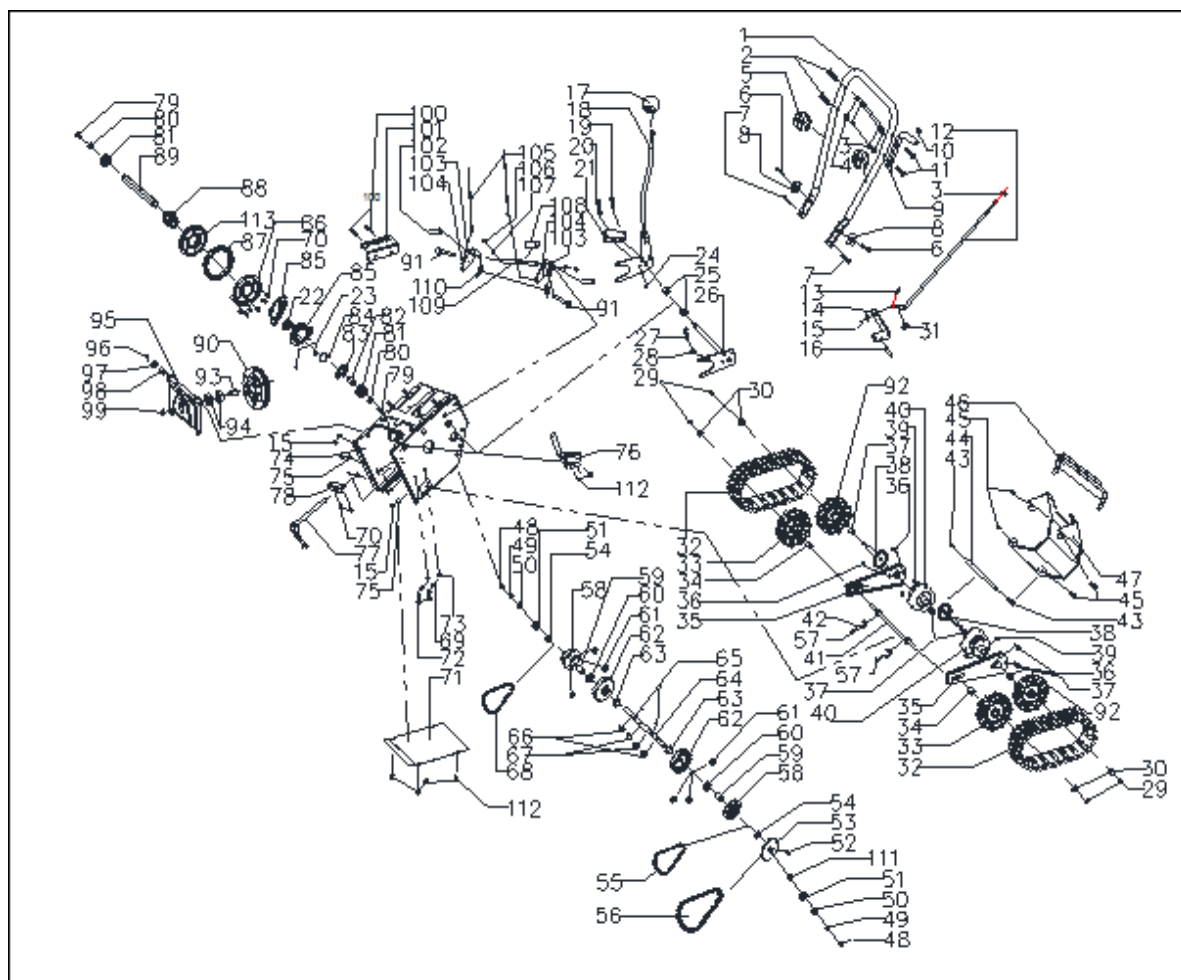
Handle and control assembly



No.	Code No.	English name	Chinese Name	Qty
1	SX-11-008	Warm handle	加热手把套	2
2	NF-002-R-B	Right handle welding components B	右扶手上管焊接组件-B	1
3	2012-SX-11-031-2	Right handle welding components 2012	手柄右焊接图-2012	1
4	SX-11-36B-3	Stepped cable	行走拉线	1
5	HFN-8	Flange nut	法兰面螺母	1
6	11-SX-11-36K	Handle self-locking cable-2012	手把自锁拉线-2012	1
7	NHLN-6	Hexagonal locknut	非金属外六角防松螺母	4
8	NF-001-8	Gear plate welding assembly	档位板件焊接组件	1
9	SW-8	Spring washer	弹垫	2
10	NF-001-13-2	Stepped gear extension bar	行走档位加长杆	1
11	SX-11-036B-2	Auger cable-2012	绞龙拉线-2012	1
12	NJ-01	Output shaft bolt	输出轴插销	2
13	NJ-02	Pin	销扣	2
14	NF-001-5-02	Panel bottom plate	面板下围板	1
15	NF-010	Plastic panel	塑料面板	1
16	BE-4*12	Rivet	抽芯铆钉	4
17	SA-011	01 switch	01开关	2
18	NF-001-15	Gear plate	档位板	1
19	FB-5*12*1	Flat washer	平垫	14
20	SHSS-4.8*16	Cross half round head tapping screw	十字半圆头自攻螺丝	12
21	NF-001-4-01	Gear fixed frame(1)	档位固定架(1)	1
22	HS-6*12	Hexagonal screw	外六角螺栓	4
23	STG8062Ae-26	Gear shift handle	挂挡手柄	2
24	NF-001-13	Chute gear extension bar	出雪口档位加长杆	1
25	FB-8*22*2	Flat washer	平垫	4
26	SJ-209	Adjusting rod welding assembly	调节杆焊接组件	1
27	2012-KEY-04	Self locking fixing seat	自锁固定座	1

28	FB-8*16*1.2	Flat washer	平垫	8
29	SW-6	Spring washer	弹垫	2
30	HS-6*18	Hexagonal screw	外六角螺栓	3
31	SX-11-31-4	Left clutch handle-2012	左离合手柄-2012	1
32	SJ-047-12	SJ rubber cap	SJ橡胶帽-12	2
33	NF-002-L-B	Left handle welding components-B	左扶手上管焊接组件-B	1
34	FB-6*12*0.7	Flat washer	平垫	1
35	SJ-046-1	Small tension plate pad	小张紧板凸垫	4
36	HS-8*55	Hexagonal bolt	外六角螺栓	2
37	HFB-8*40	Hexagonal bolt	外六角法兰面螺丝	3
38	HS-8*50	Hexagonal bolt	外六角螺栓	1
39	SJ-233	Cable pin	拉线销	1
40	NF-001-14-3B	Clutch handle spring	离合手柄拉簧	1
41	NHLN-8	Hexagonal locknut	非金属外六角防松螺母	9
42	SX-11-36E	Chute cable	出雪口拉线	1
43	HS-10*45	Hexagonal bolt	外六角螺栓	1
44	NF-001-4-02	Gear fixed bracket(2)	档位固定架(2)	1
45	FB-10*28*3	Flat washer	平垫	1
46	GPP6562C-01-07	Speed control handle upper conneting piece	调速手把上连接件	1
47	OSP-2.5*25	Pin	开口销	1
48	GPP6562C-01-09	Speed control spring 1	调速间隙调节弹簧1	1
49	NF-001-7	Left chute gear fixing bracket	出雪口档位固定架左	1
50	STG11 (13) 70 (10) AE-02-08	Handle adjusting spring	手把调节弹簧	1
51	L-620	Head lamp	灯	1
52	STG8062AE-22	8hp lamp holder	8HP灯架	1
53	CHSS-3.2*30	Cross recessed countersunk head tapping screws	十字沉头自攻螺丝	4
54	NHLN-10	Non metal outside six angle locknut	非金属外六角防松螺母	1
55	HS-8*45	Hexagonal screw	外六角螺栓	3
56	OSP-2.0*29	Pin 2	开口销	1
57	NF-001-7-01	Right chute gear fixing bracket	出雪口档位固定架右	1
58	SJ-223	Bowl-shaped gasket	碗形弹片	1
59	SA-008	Saddle shaped gasket	鞍形弹性垫片	3
60	SJ-224	Gourd shaped gasket	葫芦形卡片	2
61	SJ-215	U shape gasket	U形卡片	2
62	SJ-210-1	Adjustable mounting plate 1	调节阻尼安装板1	1

Spare parts list Driving assembly

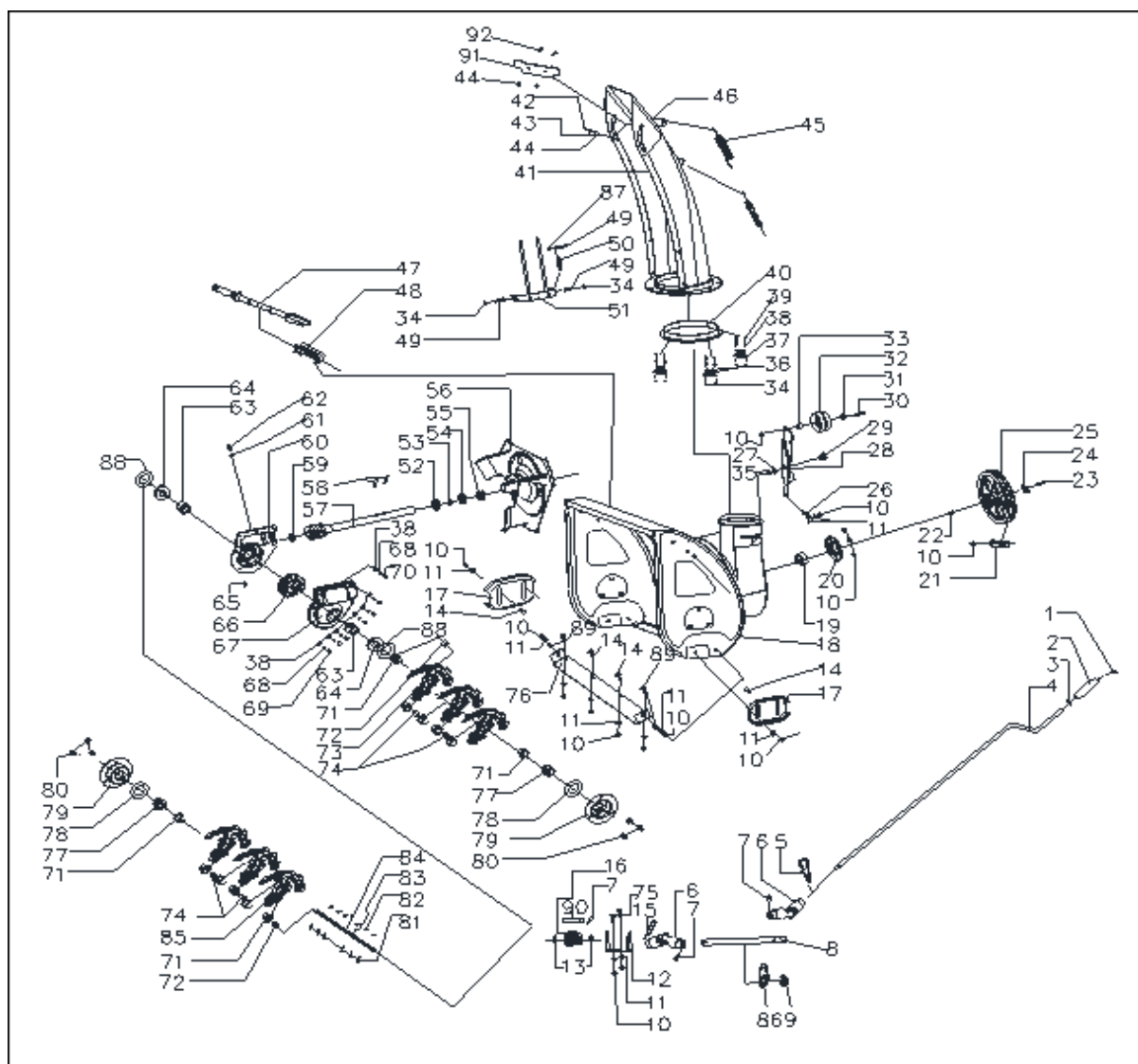


No.	Code No.	English Name	Qty	材料及型号
1	SX-11-039	Handle underneath tube	1	A3
2	NS-L8*40	Blade bolt	2	M8*40
3	HFN-8	Flange nut	5	M8
4	BG-8	Blade gasket	4	φ8
5	SSG5580A.2	28 wire clip	2	HD-PE
6	HFB-8*40	Hexagonal flange bolt	2	M8*40
7	HFB-8*20	Hexagonal flange bolt	2	M8*20
8	SJ-028	SJ handrail gasket	2	A3
9	NF-20	Chute rocker holder-3	1	1
10	SJ-239	Helical tooth bracket rocker gasket	1	1
11	HFB-8*45	Hexagonal flange bolt	2	M8*45
12	GPP6562C-0	Gears-engaging joint lever	1	Q235
13	CP-3.2*29	Split pin	1	3.2X29
14	STG11(13)70(10)AE-02-02-03	GPP shifting fork	1	
15	FB-8*16*1.2	Gasket	7	φ8X16X1.2
16	FRP-6*30	Spring pin	1	φ6*30
17	SX-11-380	Handgrip ball(M12 screw)	1	胶木
18	SX-11-041	Fork rod-3	1	A3
19	HFB-8*20	Hexagonal flange screw	1	M8*20
20	SX-11-224	Fork rod bolt	1	45
21	SX-11-042	Block	1	粉末冶金

22	SX-11-192	Fork rod-1	1	65Mn
23	SX-11-193	Fork rod plate	1	A3
24	NHLN-8	Non metal outside six angle locknut	2	M10
25	SX-11-184	Hexagonal shaft sleeve	2	粉末冶金
26	SX-11-047-1	Left fork rod	1	45
27	HS-12*60	Hexagonal bolt	1	M12X60
28	NHLN-12-1	Hexagonal screw	2	M12*1.5
29	NHLN-12-1	Non metal outside six angle locknut	4	M12*1.5
30	FB-12*35*2	Flat washer	4	φ12*35*2
31	GPP6562C-0	Adjusting spring 1	1	65Mn
32	SX-11-045	Track	2	
33	SX-11-048	Belt wheel	4	共柄PP
34	SX-11-058	Front shaft sleeve	2	铁基粉末冶金
35	SX-11-051	Plate 3	2	A3
36	SX-11-242	Track support bolt	4	35
37	SX-11-049	Shaft sleeve 3	4	粉末冶金
38	SX-11-055B	Rear chainwheel welding set	2	45
39	NHLN-8	Non metal outside six angle locknut	4	M8
40	SX-11-052	Rear wheel shaft support	2	A3
41	SX-11-054	Shaft 0	1	40Cr
42	SX-11-053	Hook	2	A3
43	HFB-8*20	Hexagonal flange bolt	4	M8*20
44	SX-11-248	Rear wheel bracket support	2	45
45	HFB-8*12	Hexagonal flange bolt	4	M8X12
46	NF-001-17	Wire holder	1	A3
47	SX-11-254	Rear cover plate 2	1	A3
48	HS-6*20	Hexagonal bolt	2	M6*20
49	SW-6	Spring washer	2+8	M6
50	FB-6*23*3	Flat washer	2	φ6*φ23*3
51	SX-11-059	Sleeve 2	2	铁基粉末冶金
52	FK-A5*22	Flat key	1	A5x5x22 65Mn
53	SX-11-061A	Chain wheel 28teeth	1	QT600-3
54	FB-28*15*2	Flat washer	2	φ28*15*2
55	C-08A-28	Chain	1	08A 28节
56	C-08A-38	Chain	1	08A 38节
57	SX-11-062	Cluth 2-8	2	45
58	SX-11-063	Cluth 2-6	2	45
59	SX-11-064	Cluth 2-9	2	粉末冶金
60	SX-11-067	Cluth 2-2	2	粉末冶金
61	SX-11-066	Cluth 2-3	6	粉末冶金
62	SX-11-068	Cluth 2-4	2	粉末冶金
63	SX-11-069	Cluth 2-5	2	粉末冶金
64	SX-11-070	Cluth 2-1	1	45
65	WK-3*3.7*9.5	Woodruff key	2	3*3.7*9.5 45
66	SR-14	Cluth jump ring	2	φ14
67	SR-16	Cluth jump ring	2	φ16
68	C08A-28	Chain	1	08A 28节
69	FB-6*12*0.7	Flat washer	8	φ6*φ12*0.7
70	HS-6*12	Hexagonal screw	12	M6*12
71	SX-11-186	Bottom cover plate	1	A3

72	HS-6*35	Hexagonal screw	2	M6*30
73	HFN-6	Hexagonal flange nut	2	M6
74	SX-11-187	Transmission box	1	ST12
75	NHLN-8	Non metal outside six angle locknut	9	M8
76	SX-11-149	Pulley mounting plate 1	1	A3
77	GPP6562C-0	GPP shifting fork	1	A3
78	SX-11-148	Vertical angle iron block	1	A3
79	HFB-8*16	Hexagonal flange screw	2	M8*16 GB5781-86
80	FB-8*22*2	Flat washer	2	φ8*φ28*2
81	KBE-6203	Lock spring deep groove ball bearing	2	6203 GB277-82
82	SX-11-184	Hexagonal sleeve	1	粉末冶金
83	SX-11-183	Chain wheel	1	45
84	SR-35	Shaft ring		1
85	SJ-013B	Gear shift pulley shaft cap	1	A3
86	SJ-013A	Gear shift pulley sleeve gasket	2	A3
87	SJ-013D	Rubber ring	1	MC尼龙
88	SJ-013C	Gear wheel	1	粉末冶金
89	SX-11-156	Hexagonal gear shift shaft	1	40Cr
90	SJ-010A	SJ transmission synchronizing wheel	1	A3
91	CHS-6*10	Cross-shaped screw	6	M6*10
92	SJ-010A-1	SJ transmission synchronizing wheel cap	1	ZL102
93	SJ-010B	transmission synchronizing wheel shaft	1	45
94	BE-6203	Deep groove ball bearing	2	6203 GB278-82
95	SJ-007	Belt wheel support	1	A3
96	CP-3*25	Split pin	1	φ3*25 GB879-86
97	FB-13*24*2	Flat washer	1	φ13*φ24*2
98	SJ-107	SJ spacer bush	1	粉末冶金
99	NHLN-10	Non metal outside six angle locknut	1	M10
100	HFB-8*20	Hexagonal flange screw	2	M8*20
101	SX-11-181	Gears-engaging plate	1	A3
102	SX-11-191	Spacer bush 1	2	A3
103	SX-11-091	Claw	2	粉末冶金
104	SX-11-091A	Claw 3	2	A3
105	NF-SX-11-36	Stepped cluth wire	2	
106	HFB-8*12	Hexagonal flange screw	2	M8*12
107	FB-12*25*2	Flat washer	2	φ12*25*2
108	SX-11-090	Spacer bush 3	1	A3
109	SX-11-246	Cluth claw shaft	1	A3
110	SX-11-094	Engagegear spring	2	65Mn

Spare parts list
Auger Housing assembly

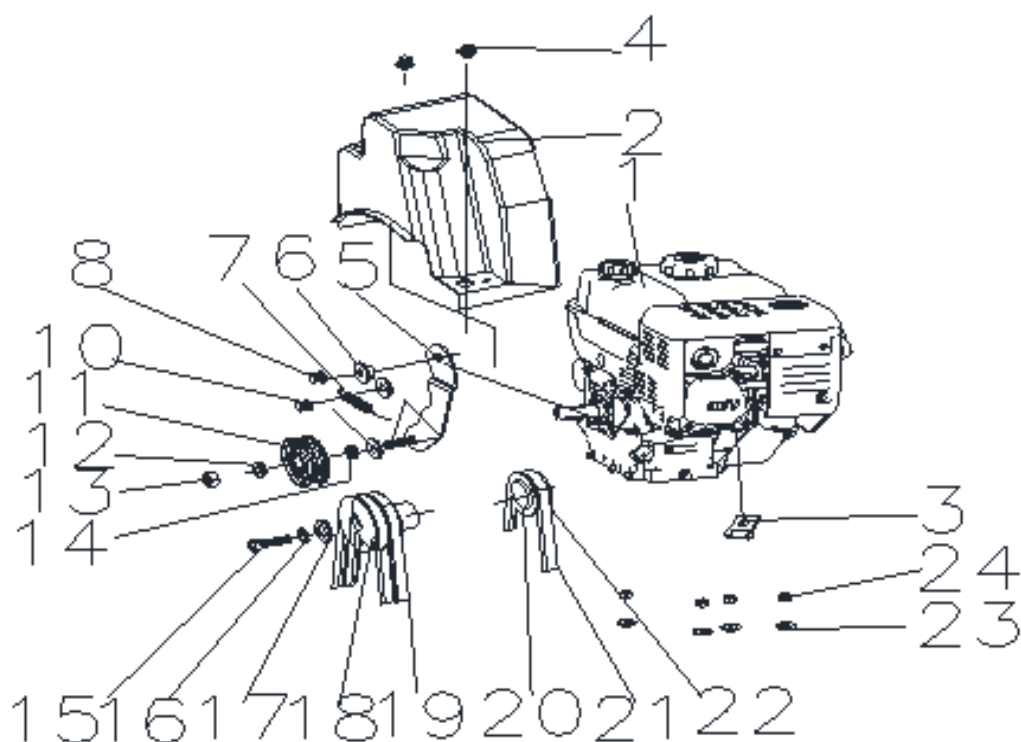


No.	Code No.	English Name		Qty
1	HFB-6*12	Hexagonal flange bolt	M6*12	1
2	SJ-018	SJ rocker sleeve	胶木	1
3	FB-10*20*1.5	Flat washer	φ10*20*1.5	1
4	NF-SX-11-075-1	Discharge chute rocker	A3	1
5	STG11(13)70(10)AE-02-01-020	8 latch pin	65Mn	1
6	SX-11-257	Cardan joint	A3	2
7	OSP-4*16	Elastic cylindrical pin	Φ4x15	3
8	SX-11-084-1	Discharge chute rocker 1-2012	A3	1
9	SJ-239	Helical tooth bracket rocker gasket ring		1
10	HL-8	Hexagonal locknut	M8	18
11	FB-8*16*1.2	Gasket	φ8*16*1.2GB95-85	20
12	SX-11-259-2	11hp helical tooth bracket -2012	A3	1
13	SX-11-259-1	Helical tooth bracket gasket ring-2012		2
14	CB-8*16	Half round head square neck screw	M8X16 GB12-88	4

15	CP-3.2*25	Split pin	1	3.2X25
16	SX-11-255-2	11hp helical tooth wheel-2012	1	1
17	SJ-111	Skid	40Cr	2
18	28-SX-11-189L	Housing box	A3	1
19	BE-SB204	Ball bearing	SB204 GB3882-87	1
20	SJ-004	round bottom cap	A3	1
21	STG1310AE-02-06-01	Belt dam-board	Q235	1
22	FK-(B)6*6*20 (16)	Flat key	6*6*20 (16) GB1099-79	1
23	HS-8*20	Hexagonal screw	M8*20	1
24	FB-8*28*2	Flat washer	φ8×φ28×2	1
25	SX-11-140	Main pulley	HT150	1
26	SJ-037	Spring 5	65Mn	1
27	SJ-23-25	Tension bolt		2
28	SX-11-144-12	Tension plate 3-2012		1
29	SJ-050	Hexagonal screw 1	35#	1
30	HS-8*45	Hexagonal screw	M8*45	1
31	SJ-008C	SJ gasket	A3	1
32	SJ-008	Tension pulley sets(bearing)		1
33	SJ-008B	Gasket sleeve	A3	1
34	TB-6	Hexagonal locknut	M6	10
35	FB-8*16*1.2	Flat gasket	φ8*16*1.2	2
36	SJ-021	Discharge chute presser	A3	3
37	SJ-021C	Discharge chute gasket	A3	6
38	FB-6*12*0.7	Flat gasket	φ6*φ12*0.7	13
39	HS-6*20	Hexagonal screw	M6X20	6
40	SJ-237	Discharge chute plastic gasket ring		1
41	SX-11-106-12	11hp discharge chute helical tooth bar-2012		1套
42	CPS-5*12	Cross-shaped pan head screw	M5×12	1
43	SJ-200-08	Discharge chute nylon gasket		2
44	TB-5	Non metal outside six angle locknut	M5	1
45	SJ-226	Discharge tension spring	65Mn	1
46	SX-11-105-1	Discharge chute cap assy-2012		1套
47	SJ-150	Plastic shovel	PP	1
48	SJ-151	shovel pedestal	PP	1
49	HS-6*16	Hexagonal screw	M6X16	3
50	SJ-036	SJ Spring 4	65Mn	1
51	SJ-012	Bending rod sleeve rod	A3	1
52	RM-5HP	Lubricating nipple		1
52	BE-6904	Deep groove ball bearing	6904 GB276-82	1
53	SJ-057	Space ring	A3	1
54	BE-51104	Single direction thrust ball bearing	51104 GB301-84	1
55	PS-32*20*7	Oil seal	32×20×7	2
56	SJ-001	fan	A3	1
57	SX-11-114	Transmission worm wheel shaft	40Cr	1
58	FRP-6*30`	Spring pin	φ6×30 GB879-86	2
59	BE-16001	Deep groove ball bearing	16001 GB276-82	1
60	SJ-101	Bottom pedestal	ZL102	1
61	WG-8	Lubricating nipple gasket plate		1
63	SJ-108	Output shaft sleeve		2
64	OS-30*19*7	Oil seal	30×19×7	2

65	CPS-5*10	Cross-shaped pan head screw	M5*10	1
66	SJ-038	Worm wheel	ZGuAl10Fe3	1
67	SJ-101A	Upper pedestal	ZL102	1
68	EP-6	Spring gasket	Φ6	7
69	HS-6*20	Hexagonal bolt	M6X20	6
70	HS-6*25	Hexagonal bolt	M6X25	1
71	SJ-019	Driving shaft sleeve		12
72	28-SX-11-301	Output shaft sleeve 28-2	PP	2
73	30-SX-11-125	Right auger	A3	3
74	28-SX-11-300	Output shaft sleeve 28-1	PP	4
75	CB-8*18	Half round head bolt	M8*18	2
76	SX-11-132	Baffle plate	45	1
77	SJ-020	Shaft sleeve		2
78	FB-19*38*1.5	Flat gasket	φ19*38*1.5	2
79	SJ-024	Bearing cap	ST12	2
80	HS-8*10	Hexagonal bolt	M8*10	6
81	NJ-01	Output shaft latch pin		6
82	NJ-02	Latch pin	65Mn	6
83	28-SX-11-134	Output shaft	45	1
84	WK-5*7.5*19	Woodruff key	5*7.5*19	1
85	30-SX-11-135	Left auger	A3	3
86	SX-11 (13) 70 (10) -02-01-19	Discharge chute rocker bracket	A3	1
87	HFN-6	Hexagonal flange nut	M6	2
88	FB-19*38*0.6	Flat gasket	φ19*38*0.6	2
89	CB-8*20	Half round head square neck screw	M8X20 GB12-88	4
90	SX-11-84-3	Discharge chute helical tooth bar-2012	Q235	1
91	SX-11-400	Discharge chute rubber blanket-2012	1.2mm	1

Spare parts list



No.	Code No.	English Name	Qty		备注
1	LC185	Engine	1	LC185	
2	SX-11-180	Pulley cover	1套	PP	
3	FB-6*16*1.5	Flat washer	2	φ6*16*1.5	
4	HS-6*12	Hexagonal screw	2	M6*12	
5	SX-11-173	Small tension plate	1		
6	SJ-046	Small tension plate washer	1		551Q通用
7	SJ-035-1	SJ spring 3	1	65Mn	551Q通用新的
8	HS-8*20	Hexagonal screw	1	M8*20	
9	FB-8*16*1.2	Flat washer	2	φ8×φ16×1.2	
10	HS-8*20	Hexagonal screw	1	M8*20 GB5780-86	
11	SX-11-170	Small tension wheel set(ball bearing)	1	3202	
12	SX-11-170B	Sleeve	1		
13	NHLN-8	Non metal outside six angle locknut	1	M8	
14	SJ-008C	SJ washer	1		
15	HS-8*35	Hexagonal screw	1	M8*35 GB5780-86	
16	SW-8	Spring washer	3	M8	
17	FB-8*28*3	Flat washer	1	φ8*φ28*3	
18	SX-11-168A	Main pulley	1	HT150	
19	LBV4L-930	V belt	2	4L-930	
20	SX-11-168C	Small belt wheel washer	1	ZL102	
21	TB-5M*825	5M synchr-belt	1	825	

22	SX-11-168b	Main synchr-wheel	1		
23	FB-25*35*2	Flat washer	2	$\varphi 25 \times \varphi 35 \times 2$	
24	NHLN-10	Non metal outside six angle locknut	4	M10	
25	FB-10*20*2	Flat washer	4	$\varphi 10 \times 20 \times 2$ GB95-85	
26	FD-04-62	Cable support bracket	1		