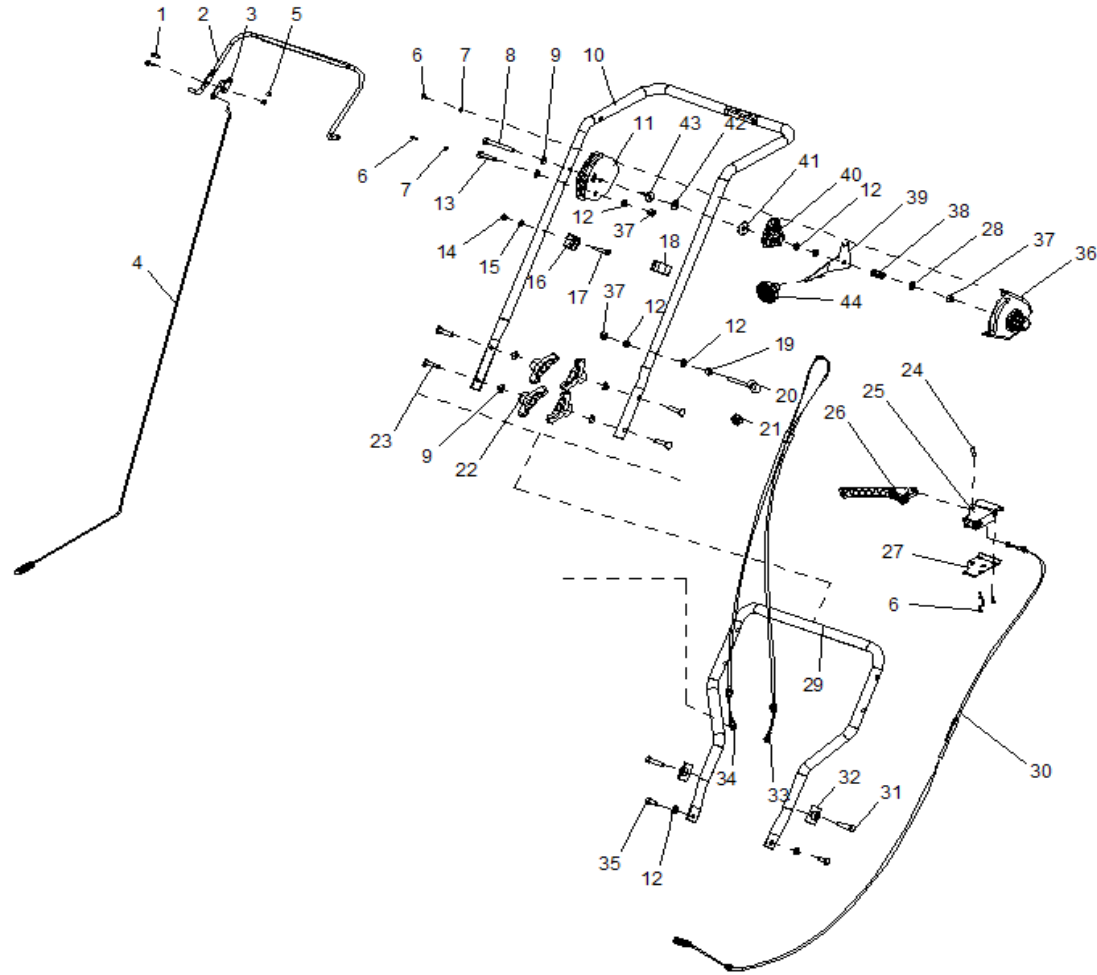


GST55 spare parts list

Handle and control assembly



No	Code No	English name	Qty
1	WBZSH005016001	The cup head screws	2
2	PG-024	clutch handle	1

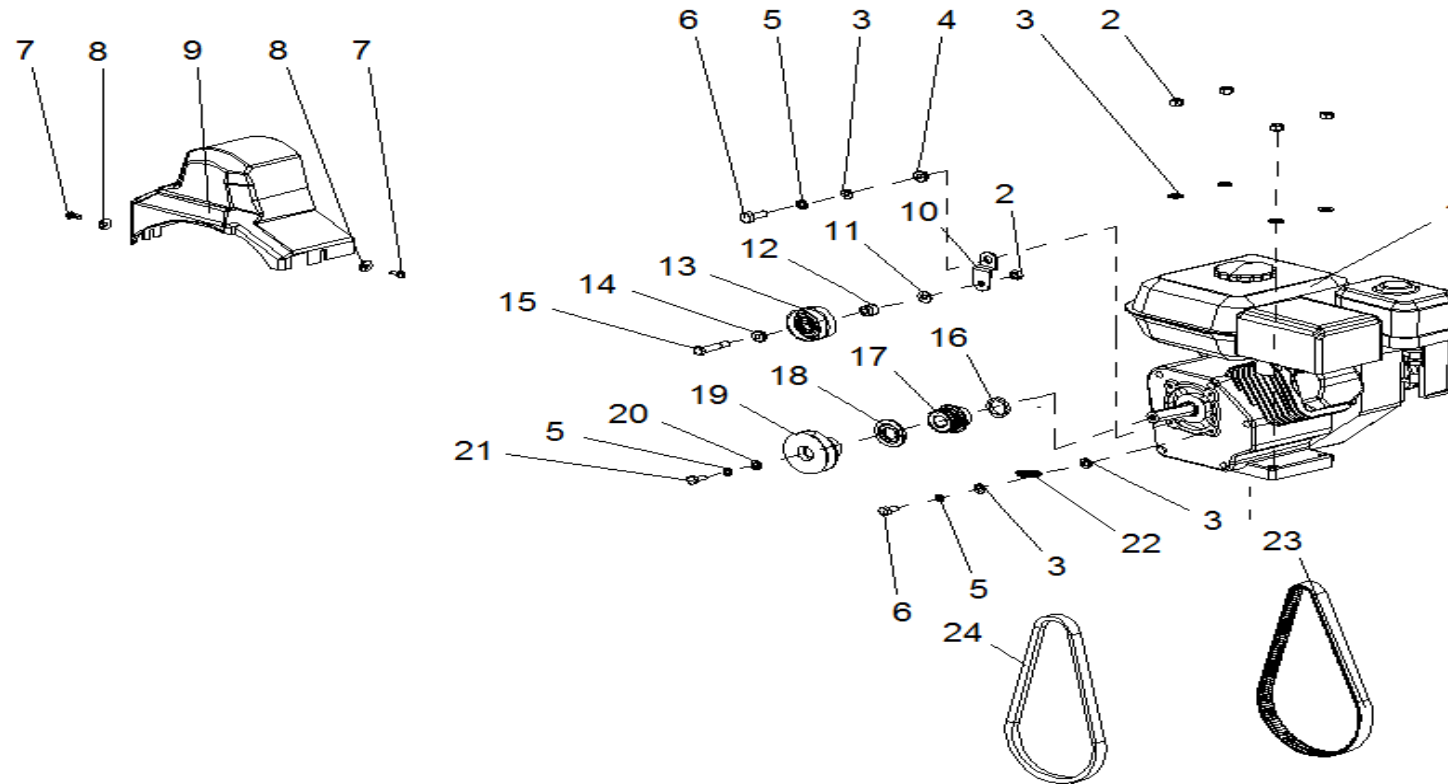
No	Code No	English name	Qty
3	PG-056	auger wire block	1
4	ZZSS53028	driving wire assemble	1
5	WBZHL000005001	lock nut	2
6	WBZZG040018001	Cross pan head self tapping screw	6
7	WBZPD041008001	flat mat	2
8	WBZHS008080001	Hexagon screw	1
9	WBZYP000008001	Leaf shape gasket	6
10	PG-073HJ	Up Handrail welding assemble	1
无	PG-053	Up Handrail	1
无	PG-072	Clutch limited board	1
11	PG-021	Gear Shift plate	1
12	SB-025	flat mat	7
13	WBZHS008035001	Hexagon screw	1
14	SB-138	lock nut	1
15	WBZPD061207001	flat mat M6	1
16	PG-030	Wire fixed block	1
17	WBZHS006040001	Hexagon screw	1
18	SSG5580A.23-01	cable clamp 28	1
19	SB-007	Hexagon nut	1
20	SJ-044B	SJ switch rod	1
21	SJ-044C	SJ switch rod rubber ring	1

No	Code No	English name	Qty
22	ZY-050	rotary knob	4
23	WBZSL008040001	Leaf blade bolt	4
24	TIG5050D-03-16	handle locking pin	1
25	PG-032	clutch handle fixed base	1
26	PG-068	Auger clutch handle	1
27	PG-023	Clutch handle fixed plate	1
28	SB-025	flat mat	7
29	PG-057	Bottom Handrail	1
30	PG-064	Auger wire	1
31	WBZHS008040001	Hexagon screw	2
32	SJ-028	SJ handrail bar gasket	2
33	PG-063	Forward wire	1
34	PG-062	Reverse Wire	1
35	WBZHS008020001	Hexagon screw	2
36	PG-067	Forward gear shift shell	1
37	WBZHL000008001	Lock nut	3
38	STG11(13)70(10)AE-02-02-08	handle regulating spring	1
39	PG-022	Gear Shift plate 2	1
40	PG-066	Driving fixed seat	1
41	PG-009	Wiring seat cushion	1
42	SA-008	Saddle elastic gasket	1

No	Code No	English name	Qty
43	SJ-224	The gourd shaped gasket	1
44	PG-033	Gear shift lever ball	1

GST55 spare parts list

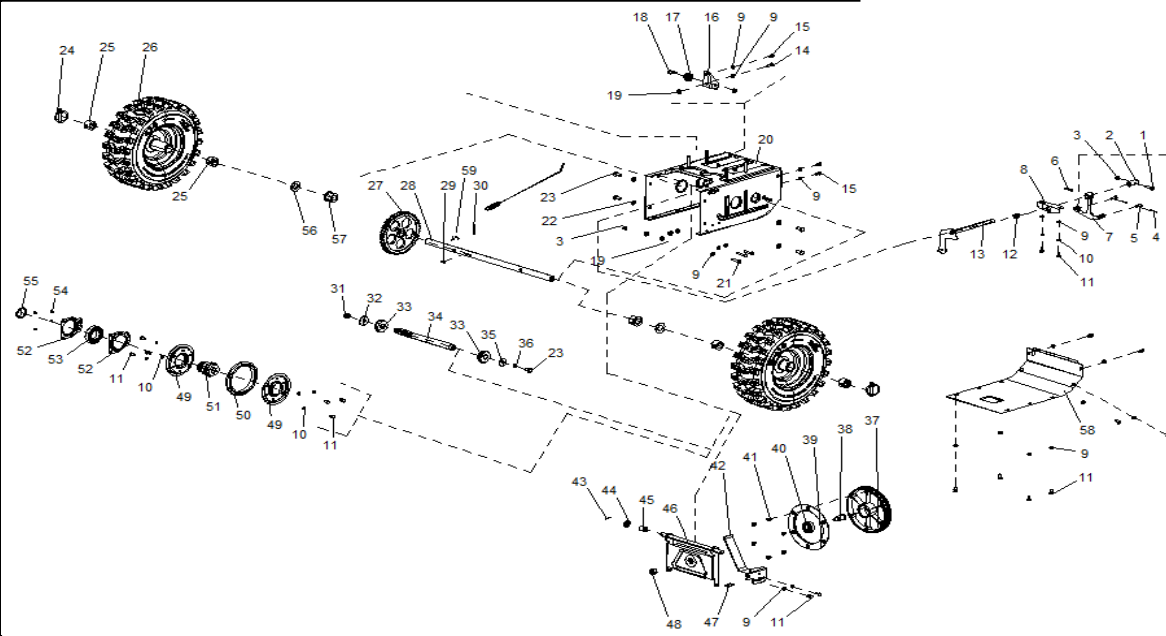
Engine assembly



No.	Code No	English name	Qty
1	LCG160F	Engine	1
2	WBZHL000008001	Lock nut	5
3	SB-025	Flat gasket	7
4	SJ-046-1	tighten plate convex pad	1
5	WBZSW000008001	spring gasket	3
6	SB-075	Hexagon screw	2
7	WBZHS006012001	Hexagon screw	2
8	FB-6*18*1.5	Flat gasket	2
9	PG-027	Belt cover	1
10	SJ-08-0722-02(SJ-045-1)	Small tensioning plate	1
11	WBZPD082220001	Flat gasket	1

7	WBZHS006012001	Hexagon screw	2
12	SX-11-170B	Small tensioning plate pad	1
13	SX-11-170-2	Small tensioning wheel	1
14	SJ-008C	gasket	1
15	WBZHS008040001	Hexagon screw	3
16	WBZPD202515001	Flat gasket	1
17	SJ-049	The main synchronous wheel	1
18	SJ-049-1	The small pulley washer	1
19	PG-055	SJ main pulley	1
20	SB-048	Flat gasket	1
21	SB-049	Hexagon screw	1
22	SJ-035-1	SJ Spring 3	1
23	SB-051	Synchronous belt	1
24	XPD4L073001	V-type belt	1

Transmission case assembly



No.	Code No.	English name	Qty
1	SB-141	Hexagon bolt	1
2	SJ-214	gear shift fixed sleeve	1
3	SB-138	Lock nut	2
4	SB-130	cotter pin	2
5	SJ-233	Wire pin	2
6	SB-142	elastic cylindrical pin	1
7	SJ-211	Shift frame welding Comp.	1
8	SJ-002	SJ Right Angle iron rod	1
9	WBZPD061207001	M6 Flat gasket	19
10	SB-097	spring gasket	8
11	SB-068	Hexagon screw	20
12	GPP6562C-01-10	Speed control clearance adjusting spri	1
13	SJ-040-1	SJ shifting fork	1

SJ shifting fork

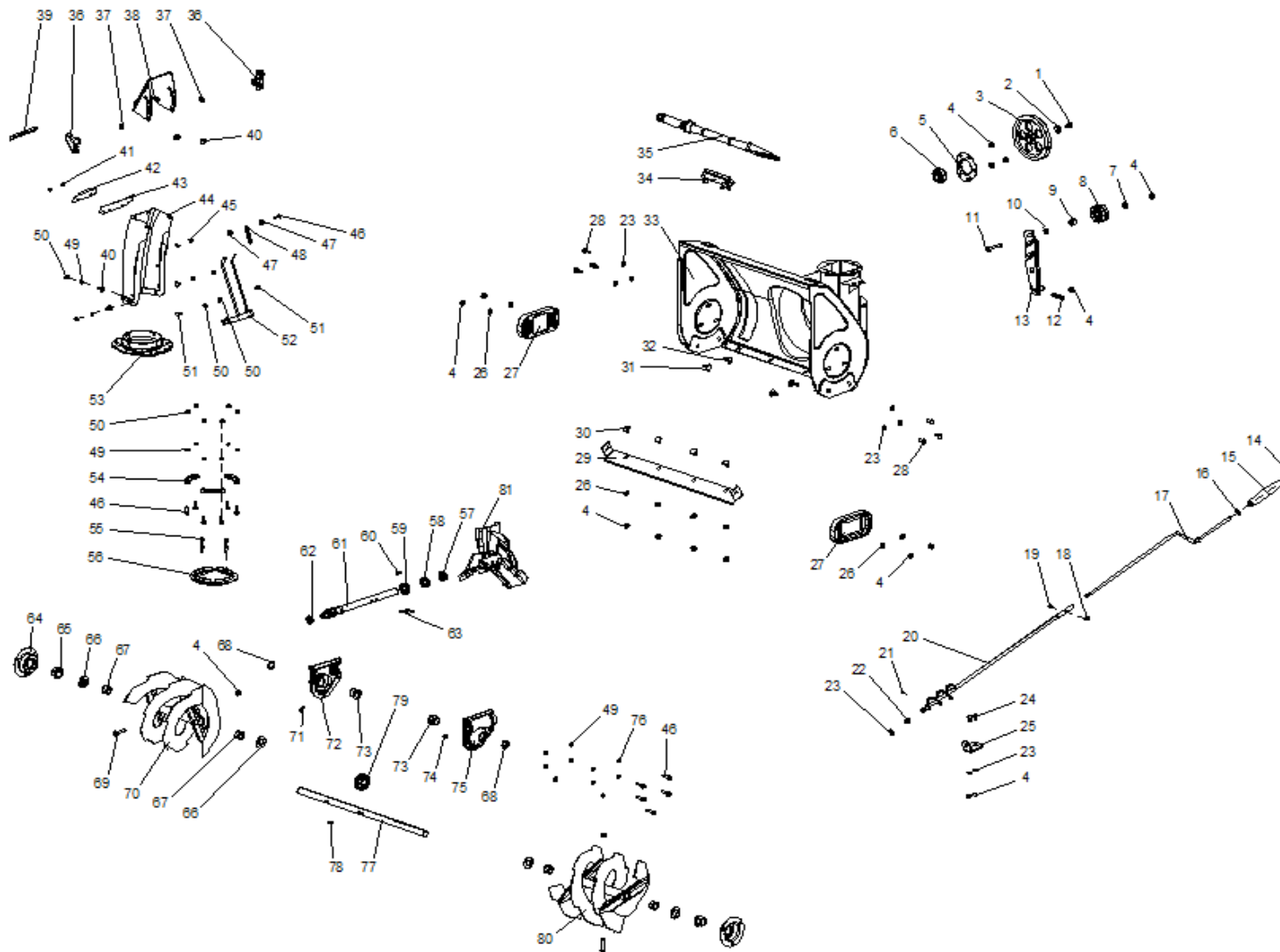
13	SJ-040-1		1
14	SB-096	Hexagon screw	1
15	WBZHS006012001	Hexagon screw	3
16	SJ-016A		1
17	SJ-016B	SJ wire pulley	1
18	SJ-052	SJ Hexagon screw 3	1
19	WBZFN000006001	Flange nut	6
20	PG-025	Transmission case shell	1
21	SB-034	Hexagon screw	3
22	SB-025	Flat gasket	4
23	SB-075	Hexagon screw	5
24	WZZS05098	SJ spring pin component	2
25	SJ-119-A	Wheel shaft sleeve 1	4
26	ZZS53064	wheel (tire + hub)	2
27	PG-048	big gear wheel	1
28	PG-041	driving wheel axle	1
29	SB-018	woodruff key	1
30	SB-019	elastic cylindrical pin	1
31	SB-060	Lock nut	1
32	SB-059	Flat gasket	1
33	SB-054	locking slot deep groove ball bearings	2
34	PG-045	Hexagon variable-speed shaft	1
35	SB-053	Flat gasket	1
36	WBZSW000008001	spring gasket	1
37	SJ-010A	Transmission synchronous wheel	1
38	SJ-010B	SJ belt driving wheel axle	1
39	SJ-010A-1	Transmission synchronous wheel cover	1
40	WBZZC006203001	deep groove ball bearing	1
41	WBZCH006010001	cross recessed countersunk head scre	6
42	SJ-015-2012	belt clamp	1
43	SB-063	cotter pin	1
44	SB-065	Flat gasket	1
45	SJ-107	SJ sleeve	1

SJ shifting fork

13	SJ-040-1		1
46	SJ-007	SJ pulley support	1
47	PG-069	Pulley support tension spring	1
48	SB-064	Lock nut	1
49	SJ-013A	SJ change wheel washer	2
50	SJ-013D	SJ flywheel rubber ring	1
51	SJ-013C-XS	change pulley	1
52	SJ-013B	SJ variable-speed shaft cover	2
53	WBZZC006007001	deep groove ball bearing	1
54	WBZMD035006002	aluminium rivet shaft jump ring	4
55	SB-057		1
56	SB-093	Flat gasket	2
57	SJ-026	SJ end cap sleeve	2
58	PG-020	back shroud cover	1
59		shaft jump ring	1

GST55 spare parts list

Auger Housing assembly



No.	Code No.	English name	Qty		
1	SB-075	hexagonal screw	1		
2	SB-076	flat gasket	1		
3	PG-054	large belt pulley	1		
4	WBZHL000008001	lock nut	16		

No.	Code No.	English name	Qty		
5	SJ-004	round bottom cover	1		
6	PG-060	bearing	1		
7	SJ-008C	gasket	1		
8	SX-11-170-2	small tensioning wheel	1		
无	WBZZC005202001	Bearing 5202	1		
9	SJ-008B	SJ sleeve	1		
10	WBZPD102020001	flat gasket	1		
11	WBZHS008045001	hexagonal screw	1		
12	PG-071	large tensioning plate spring	1		
13	PG-070HJ	large tensioning plate weld assy	1		
无	PG-016	big tension plate	1		
无	PG-049	Break bar	1		
14	HFB-6*12	flange face hexagonal bolt	1		
15	SJ-018	SJ sleeve	1		
16	FB-6*18*1.5	flat gasket	1		
17	PG-065	rocker	1		
18	B-4008	cross head screw	1		
19	WBZHL000005001	lock nut	1		
20	XA-04-102	rocker A	1		
无	FB-10.5*19*3	gasket	1		
无	XA-04-102A	rocker A	1		
无	XA-04-102B	adapter sleeve	1		
无	XA-04-102C	Rocker screw	1		
21	SB-080	cotter pin	1		
22	SJ-011A	SJ mounting plate plastic ring	1		
23	SB-025	flat gasket	7		
24	SB-081	half round screw	2		
25	SJ-011XS	small mounting plate	1		
26	SB-088	flat gasket	8		
27	PG-028	skid	2		
28	SB-095	hexagonal screw	6		
29	PG-019	long baffle plate	1		
30	SB-110	half round screw	4		
31	WBZCB008020001	half round screw	2		
32	WBZCB008025001	half round screw	2		
33	PG-040HJ	box weld assy.	1		
34	SJ-151	shovel bracket	1		
35	SJ-150	plastic shovel	1		

No.	Code No.	English name	Qty		
36	SZSS46109	rotary button	2		
37	SJ-200-8	chute nylon washer	2		
38	PG-059	chute cap	1		
39	SJ-200-10	connecting rod	1		
40	WBZCB006016001	half round screw	5		
41	WBZHL000005001	lock nut	2		
42	SJ-200-5	up hinge	1		
无	SJ-200-5-1	Auger Housing assembly	1		
无	SJ-200-5-2	up hinge sleeve	1		
43	SX-11-400	chute rubber washer	1		
44	PG-058	down chute	1		
45	WBZCH005012001	cross head screw	2		
46	SB-096	hexagonal screw	12		
47	WBZFN000006001	flange face bolt	2		
48	SJ-036	SJ spring 4	1		
49	WBZPD061207001	M6 flat gasket	36		
50	SB-138	lock nut	11		
51	SB-108	hexagonal screw	2		
52	XA-04-48	bending rod set	1		
无	XA-04-48A	bending rod	1		
无	XA-04-48B	around small rod	2		
53	PG-006	chute base	1		
54	S00PPS53058	chute washer	3		
55	WBZSH006016001	cross head screw	4		
56	PG-005	chute base plastic ring	1		
57	SB-102	oil seal	1		
58	SB-100	deep groove ball bearing	1		
59	SB-101	bearing	1		
60	SB-078	C square key	1		
61	PG-001	transmission worm wheel shaft	1		
62	WBZZC006901001	deep groove ball bearing	1		
63	SB-103	Coiling spring pin	2		
64	SJ-024	SJ bearing cover	2		
65	SJ-020	SJ shaft sleeve	2		
66	SB-093	flat gasket	2		
67	SJ-019	SJ drive shaft sleeve	4		
68	SB-165	oil seal	2		
69	SJ-070	old safety bolt	2		

No.	Code No.	English name	Qty		
70	PG-015HJ	right auger weld assy	1		
71	WBZSH006010001	cross head screw	1		
72	PG-004	worm wheel box A	1		
73	SJ-108-1	SJ out-put shaft	2		
74	WCMS53053	lubricating nipple	1		
75	PG-007	worm wheel box B	1		
76	SB-097	spring washer	5		
77	PG-003	out-put shaft	1		
78	SB-018	half round key	1		
79	PG-002	worm wheel	1		
80	PG-039HJ	left auger weld assy	1		
81	PG-034HJ	fan	1		