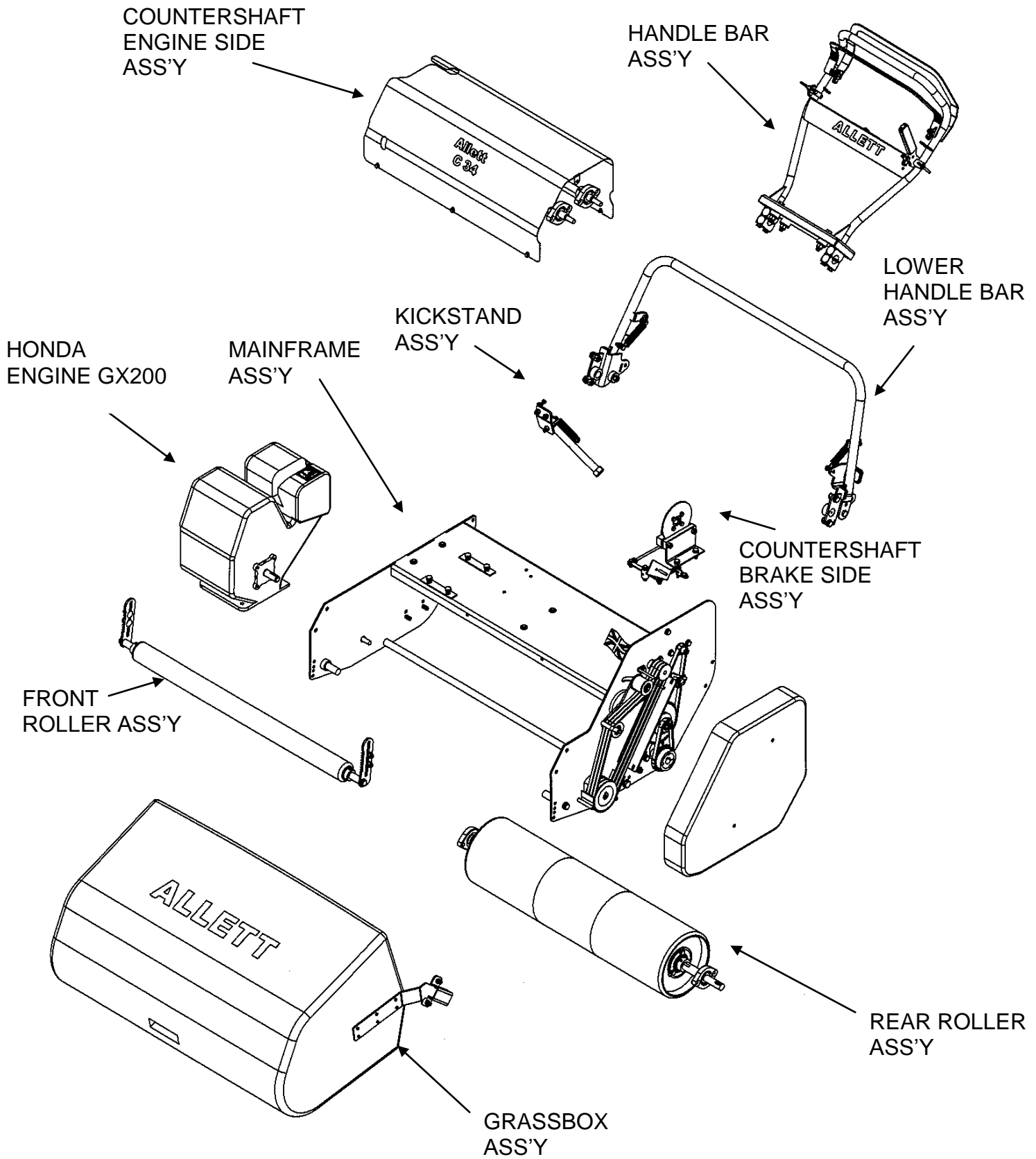


14.0 Parts section

C34/5

PARTS SECTION

For C34/5-13-001 onwards



MODEL C34:- Front Roller Assembly (FIG 1)

| ITEM | DESCRIPTION | PART NUMBER | USED |
|------|---------------------------------|-------------|------|
| 1 | SCRAPER BAR C34 | C1634 | 1 |
| 2 | FRONT ROLLER SHAFT | C1582 | 1 |
| 3 | BEARING 20mm 6304 2RS | AM81089 | 2 |
| 4 | C34 FRONT ROLLER BRACKET FAB RH | C335 | 1 |
| 5 | C34 FRONT ROLLER BRACKET FAB LH | C336 | 1 |
| 6 | LOCKING COLLAR | BG003 | 2 |
| 7 | WASHER M6 | WM6A | 2 |
| 8 | SPRONG WASHER M6 | SWM6 | 2 |
| 9 | SET SCREW M6x16 | SM616 | 2 |
| 10 | WASHER M10 | WM10 | 4 |
| 11 | SET SCREW M10x25 | SM1025 | 2 |
| 12 | GRUB SCREW M8 x 8 | ACGM8 | 2 |
| 13 | BU/C34 FRONT ROLLER FAB | BSG212 | 1 |
| 14 | 20 DIA BEARING GREASE SEAL | AM81596 | 2 |
| 15 | C34 ROLLER SEAL COLLAR | BSG1410 | 2 |

MODEL C34:- Front Roller Assembly

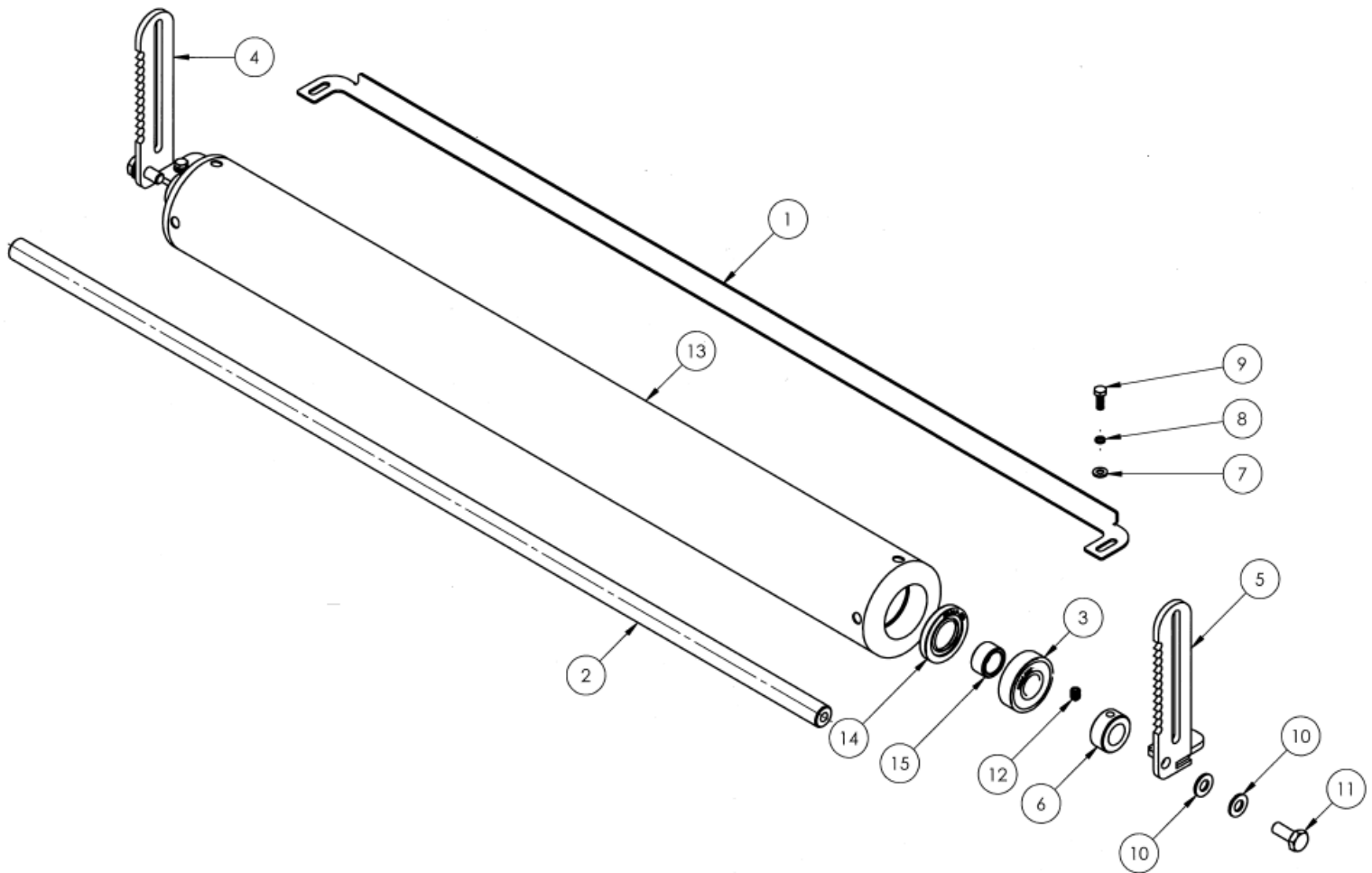
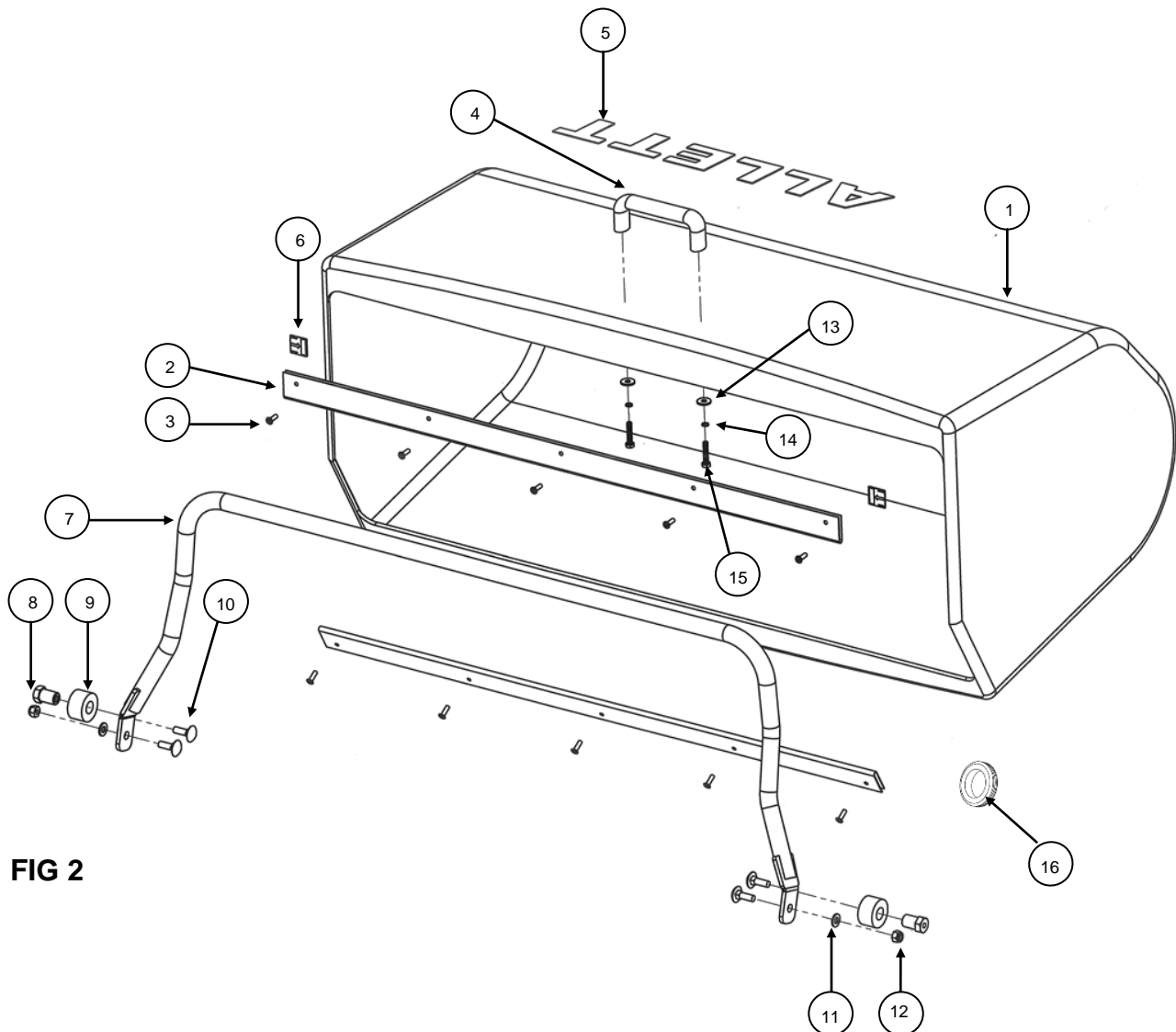


FIG 1

MODEL C34:- Grass Box Assembly (FIG 2)

| ITEM | DESCRIPTION | PART NUMBER | USED |
|------|----------------------------|-------------|------|
| 1 | GRASSBOX C34 | C1556 | 1 |
| 2 | 34" B GRASSBOX STIFFENER | C1590 | 2 |
| 3 | POP RIVET 4.8DIAx16 STEEL | PR4820 | 10 |
| 4 | HANDLE | EL1086 | 1 |
| 5 | DECAL – ALLETT LARGE | AM81545 | 1 |
| 6 | CUTTING WIDTH DECAL | AM81580 | 2 |
| 7 | GRASSBOX CARRIAGE FAB | C337 | 1 |
| 8 | BUFFER SPACER | C1671 | 2 |
| 9 | RUBBER BUFFER | F016W25222 | 2 |
| 10 | CUP SQUARE M8x25 GRADE 8.8 | CSM825 | 4 |
| 11 | FLAT WASHER M8 FORM A | WM8 | 2 |
| 12 | NYLOC NUT M8 | NNM8 | 2 |
| 13 | FLAT WASHER M6 FORM G | WM6G | 2 |
| 14 | SPRING WASHER M6 | SWM6 | 2 |
| 15 | SET SCREW M6x30 | SM630 | 2 |
| 16 | GROMMET | AM81264 | 1 |



MODEL C34:- Countershaft Assembly Engine Side (FIG 3A)

| ITEM | DESCRIPTION | PART NUMBER | USED |
|-------------|---------------------------------|--------------------|-------------|
| 1 | C34" TUNNEL GUARD | C1648 | 1 |
| 2 | SET SCREW M6X20 | SM620 | 9 |
| 3 | WASHER M6 FORM G | WM6G | 7 |
| 4 | SPRING WASHER M6 | SWM6 | 6 |
| 5 | ENGINE PRESSING GUARD | C1632 | 1 |
| 6 | SET SCREW 5/16"x3/4" | S11015 | 2 |
| 7 | SET SCREW M8x20 | SM820 | 4 |
| 8 | SPRING WASHER M8 | SWM8 | 6 |
| 9 | FLAT WASHER M8 | WM8 | 6 |
| 10 | PRIMARY BELT GUARD ASSEMBLY | BSG004 | 1 |
| 11 | SHAFT RETAINING PLATE | BSG003 | 1 |
| 12 | SPRING | AM85343 | 1 |
| 13 | SET SCREW M6x16 | SM616 | 1 |
| 14 | PLAIN NUT M6 | NM6 | 3 |
| 15 | NYLOC NUT M6 | NNM6 | 2 |
| 16 | BEARING 20MM FLANGED LFTCB11010 | AM81008 | 3 |
| 17 | SET SCREW 3/8" UNFx1" | S11014 | 3 |
| 18 | SPRING WASHER 3/8" | W11011 | 7 |
| 19 | SET SCREW 3/8" UNFx1 1/4" | S11028 | 1 |
| 20 | NYLOC NUT 3/8" UNF | N11002 | 1 |
| 21 | LOCKING COLLAR 20-20-EC | AM81000 | 2 |
| 22 | M8 x 12 GRUBSCREW | ACGM8x12 | 2 |
| 23 | DRIVE CLUTCH ARM ASSY | BSG064 | 1 |
| 24 | DRIVE CLUTCH ARM SWIVEL | BSG017 | 1 |
| 25 | SET SCREW 3/8" UNF x 1/2" | S11073 | 1 |
| 26 | SET SCREW 3/8" UNF x 3/4" | S11011 | 3 |
| 27 | SET SCREW M6 x 25 | SM625 | 1 |
| 28 | 2 GROOVE DRIVE CLUTCH | BSG098 | 1 |
| 29 | NEEDLE ROLLER HK1412 | AM81002 | 2 |
| 30 | GREASE NIPPLE M6 | GNM6 | 1 |
| 31 | MUD GUARD WASHER M6 | | 1 |
| 32 | KEY 1/4 x 26 LG FORM C | AM81055 | 1 |
| 33 | ROLLER DRIVE SHAFT C34/5 | C1662 | 1 |
| 34 | 2 GROOVE PULLEY | AM81413 | 1 |
| 35 | FLAT WASHER M10 FORM G | WM10G | 2 |
| 36 | SPRING WASHER M10 | SWM10 | 1 |
| 37 | SET SCREW M10 x 20 | SM1020 | 1 |
| 38 | KEY 3/16 x 1.1/4 FORM C | AM83273 | 1 |
| 39 | 2 GROOVE FLYWHEEL PULLEY SMALL | AM81412 | 1 |
| 40 | M6 x 6 GRUBSCREW | ACGM6 | 1 |
| 41 | CHAIN 3/8 DUPLEX 16 LINKS | AM89475 | 1 |
| 42 | SCREW CAP HD 1/2" UNF x 1 1/4" | S11022 | 1 |
| 43 | PLATEWHEEL 16T 3/8 MODIFIED | BSG1052 | 1 |
| 44 | CYLINDER DRIVE SHAFT C34/5 | C1661 | 5 |
| 45 | ROLLER DRIVE CABLE | C1677 | 1 |
| 46 | YOKE ANCHOR POINT | BSG1024 | 1 |
| 47 | BELT ENGINE DRIVE BUFFALO | AM89482 | 2 |
| 48 | DISTANCE PIECE | SG1001 | 1 |
| 49 | GROMMET | AM81264 | 1 |

MODEL C34:- Countershaft Assembly Engine Side

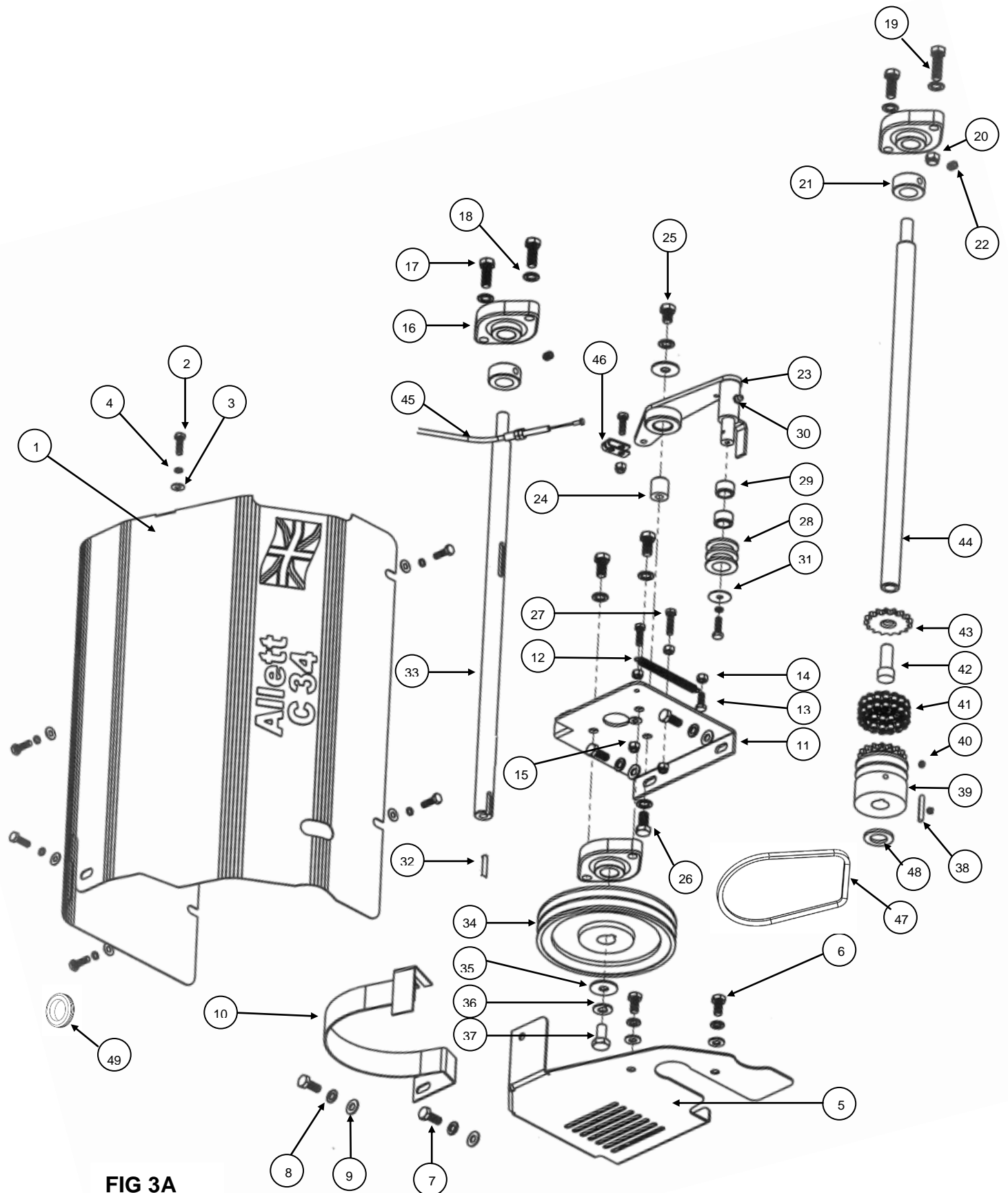


FIG 3A

MODEL C34:- Countershaft Assembly Brake Side (FIG 3B)

| ITEM | DESCRIPTION | PART | USED |
|------|-----------------------------------|---------|------|
| 1 | R/ROLLER DRIVEN SPROCKET & T/LOCK | C1599 | 1 |
| 2 | KEY TYPE AB | AM81463 | 1 |
| 3 | BRAKE BUSH FAB | C073 | 1 |
| 4 | SET SCREW M8X20 | SM820 | 2 |
| 5 | SPRING WASHER M8 | SWM8 | 2 |
| 6 | FLAT WASHER M8 | WM8 | 2 |
| 7 | BRAKE CABLE | BSG1077 | 1 |
| 8 | SPRING | AM90519 | 1 |
| 9 | SET SCREW M6 x 20 | SM620 | 1 |
| 10 | YOKE ANCHOR POINT | BSG1024 | 1 |
| 11 | NYLOC NUT M6 | NNM6 | 2 |
| 12 | BRAKE BAR FAB | C074 | 1 |

MODEL C34:- Counter Assembly Brake Side

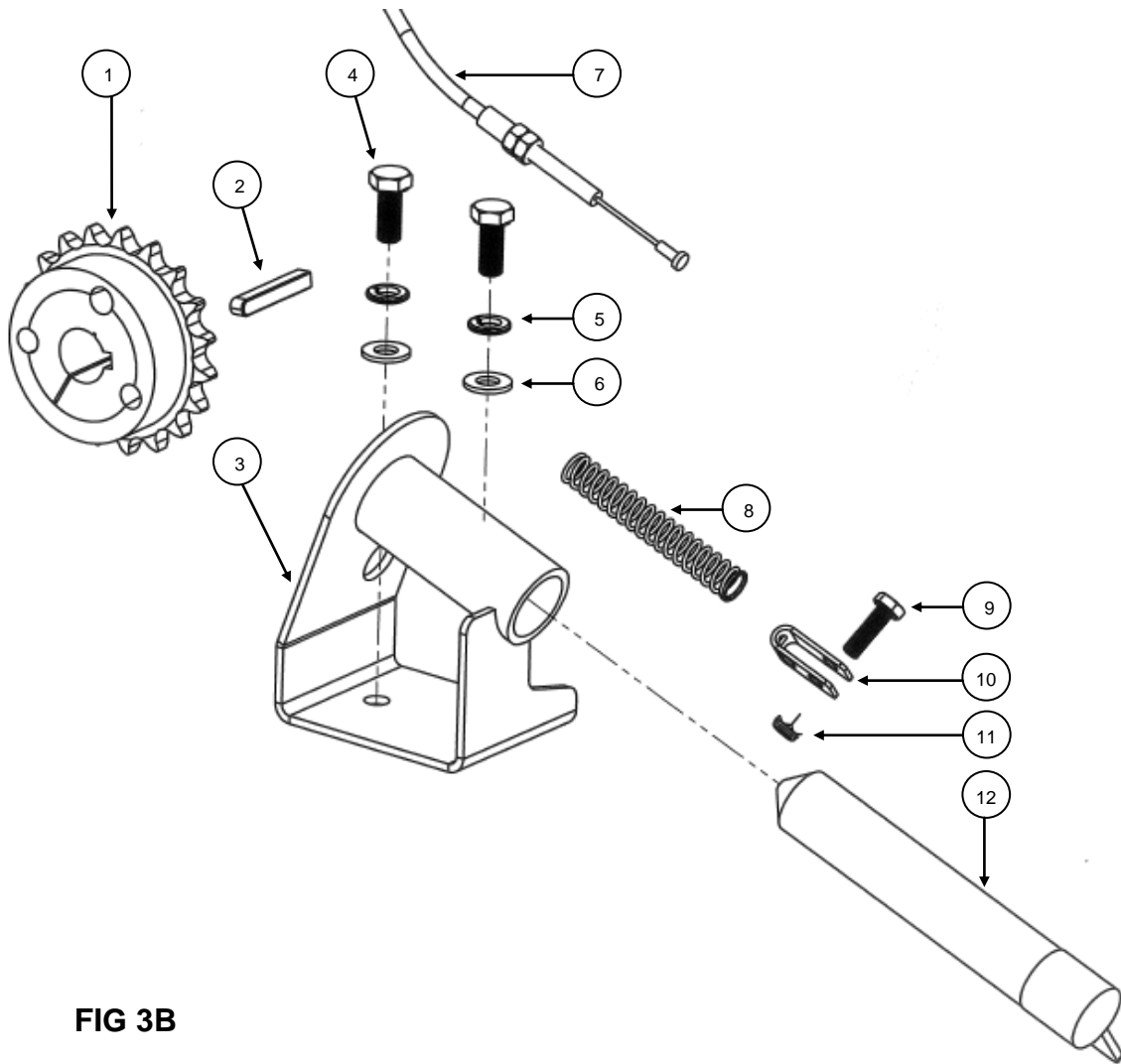


FIG 3B

MODEL C34:- Kickstand Assembly (FIG 4)

| ITEM | DESCRIPTION | PART NUMBER | USED |
|------|----------------------------|-------------|------|
| 1 | C34 PROPSTAND BRACKET | C1658 | 1 |
| 2 | SET SCREW M8 x 25 | SM825 | 2 |
| 3 | NYLOC NUT M6 | NNM6 | 2 |
| 4 | C34 PROP STAND | C1657 | 1 |
| 5 | SET SCREW 3/8 UNC 1 – 3/4" | | 1 |
| 6 | SPRING WASHER 3/8" | W11011 | 1 |
| 7 | NYLOC NUT 3/8 UNC | | 1 |

MODEL C34:- Kickstand Assembly

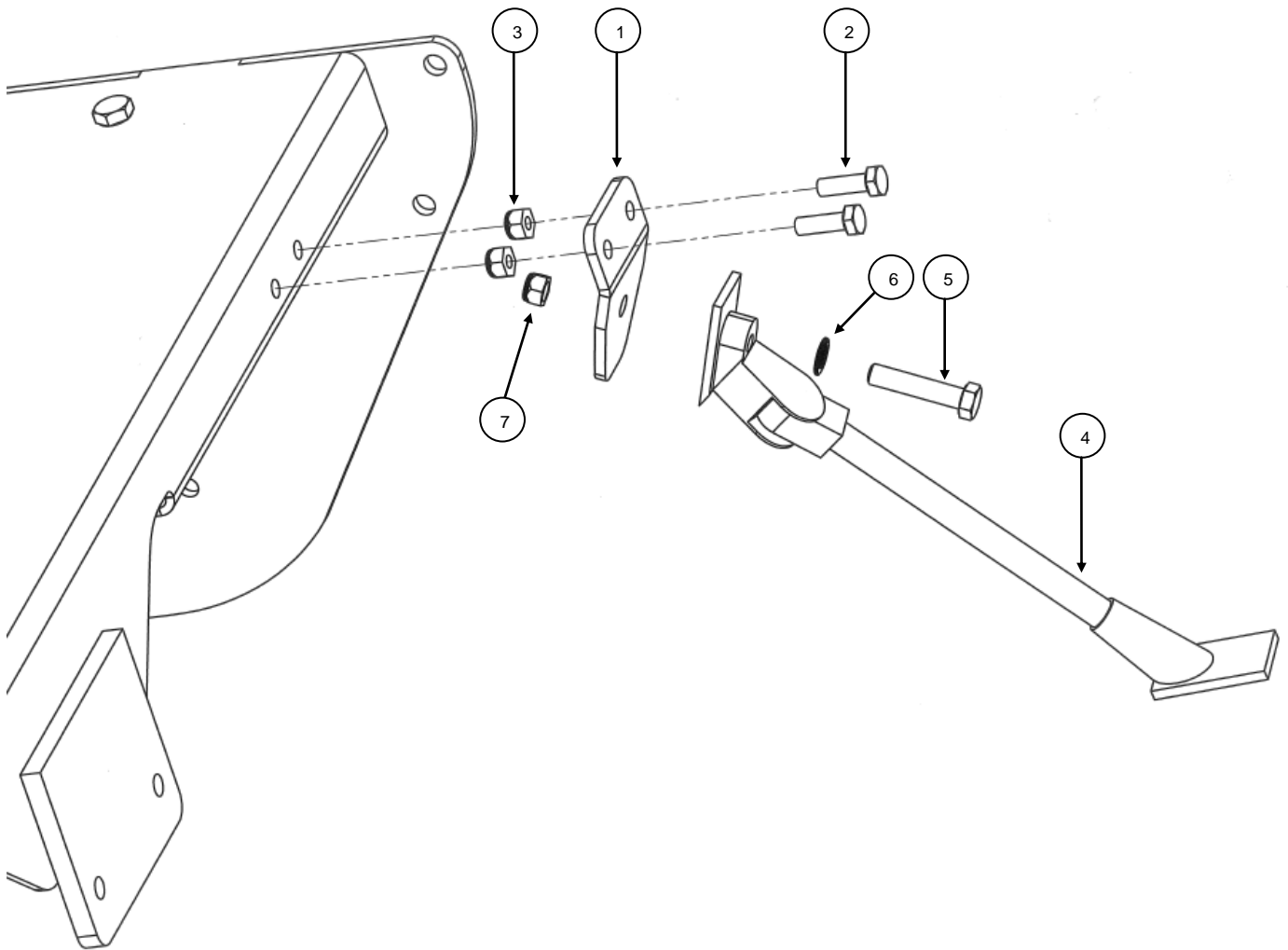


FIG 4

MODEL C34:- Handle Bar Assembly (FIG 5)

| ITEM | DESCRIPTION | PART NUMBER | USED |
|-------------|-----------------------------|--------------------|-------------|
| 1 | TOP HANDLE ASSEMBLY | C340 | 1 |
| 2 | WIDER LOWER AV PLATE FAB | C070 | 1 |
| 3 | CUTTER CLUTCH LEVER | C338 | 1 |
| 4 | ROLLER DRIVE LEVER FAB | C339 | 1 |
| 5 | THROTTLE LEVER RH | AM82177 | 1 |
| 6 | THROTTLE CABLE | AM81576 | 1 |
| 7 | BRAKE LEVER BASE PLATE | BSG1089 | 1 |
| 8 | BRAKE LEVER FAB | BSG045 | 1 |
| 9 | FLAT CAP | AM81140 | 1 |
| 10 | YOKE ANCHOR POINT | BSG1024 | 3 |
| 11 | SCREWLOCK BODY FAB | BSG046 | 1 |
| 12 | SWITCH ON-OFF ROCKER | AM85043 | 1 |
| 13 | ON-OFF SWITCH HARNESS ASSEM | BSG035 | 1 |
| 14 | UNIVERSAL MOUNT | AM81320 | 4 |
| 15 | SPACER FOR AV MOUNTING | BSG1207 | 4 |
| 16 | HANDLE BAR CLAMP | BSG1020 | 2 |
| 17 | LEVER MOUNT SPIGOT | BSG1081 | 2 |
| 18 | ON OFF SWITCH DECAL | AM81555 | 1 |
| 19 | ALLETT HANDLE BAR DECAL | AM81543 | 1 |
| 20 | SET SCREW M6 x 30 | SM630 | 2 |
| 21 | SET SCREW M6 x 20 | SM620 | 6 |
| 22 | SPRING WASHER M6 | SWM6 | 2 |
| 23 | NYLOC NUT M6 | NNM6 | 6 |
| 24 | SET SCREW M10 x 55 | SM1055 | 4 |
| 25 | FLAT WASHER M10 FORM A | WM10A | 4 |
| 26 | FLAT WASHER M10 FORM G | WM10G | 4 |
| 27 | NYLOC NUT M10 | NNM10 | 4 |
| 28 | 5/16 FLAT WASHER FORM A | W11021 | 4 |
| 29 | 5/16 SPRING WASHER | W11018 | 4 |
| 30 | 5/16 UNF x 2 1/4" BOLT | B11001 | 4 |
| 31 | BRAKE CABLE | BSG1077 | 1 |
| 32 | ROLLER DRIVE CLUTCH CABLE | C1677 | 1 |
| 33 | M6 FLAT NYLON WASHER | T006230 | 4 |
| 34 | CYLINDER CLUTCH CABLE | C1677 | 1 |

MODEL C34:- Handle Bar Assembly

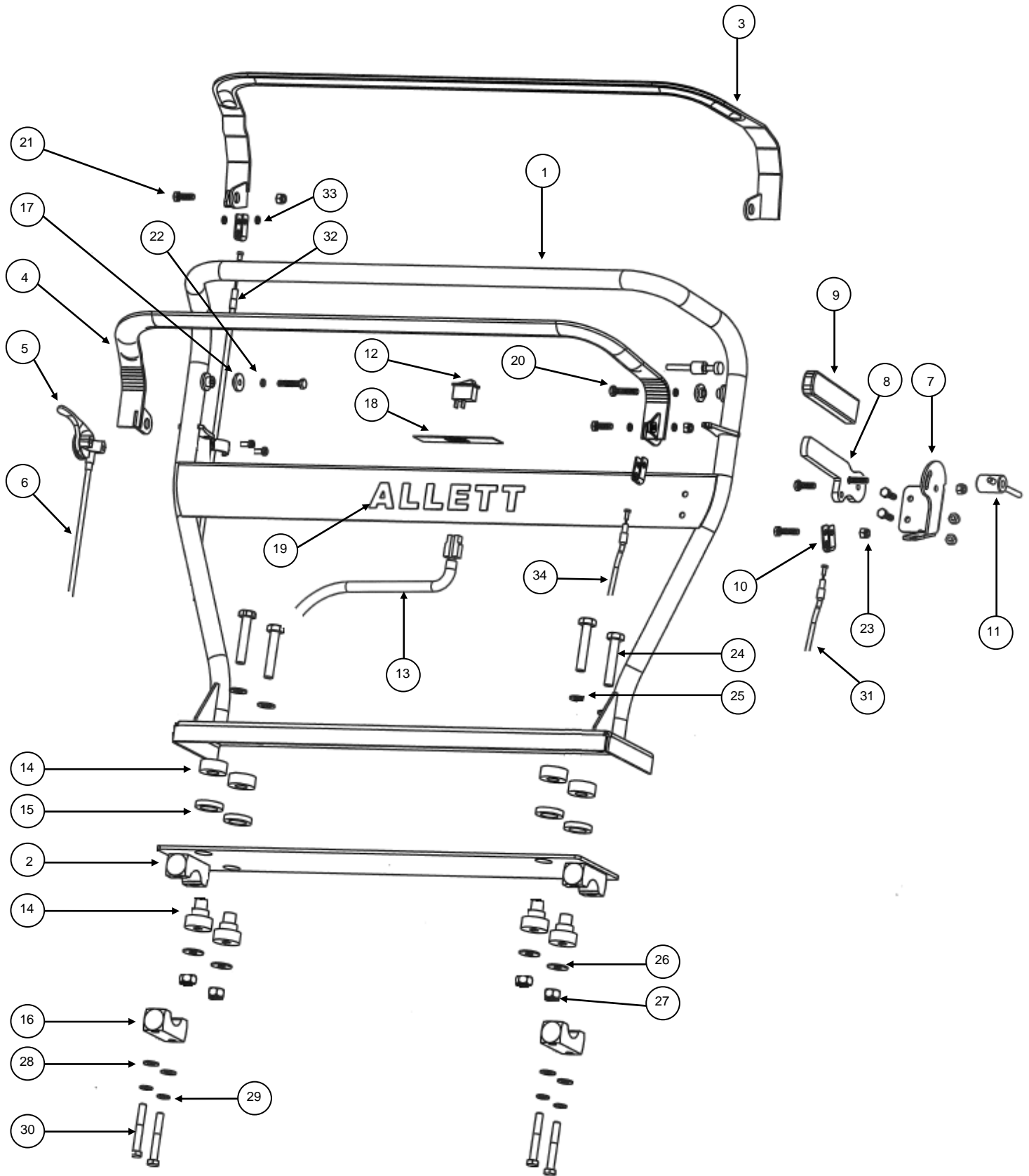


FIG 5

MODEL C34:- Lower Handle Bar Assembly (FIG 6)

| ITEM | DESCRIPTION | PART NUMBER | USED |
|-------------|-----------------------------|--------------------|-------------|
| 1 | A/V BOTTOM HANDLE FAB | C312 | 1 |
| 2 | RH PIVOT BRACKET | BSG111 | 1 |
| 3 | LH PIVOT BRACKET | BSG110 | 1 |
| 4 | FLAT WASHER M10 | WM10A | 4 |
| 5 | SET SCREW M10 x 30 | SM1030 | 4 |
| 6 | NYLOC NUT M10 | NNM10 | 8 |
| 7 | SPACER HYDRI BOSS 32x20x3mm | AFK1132 | 2 |
| 8 | UNIVERSAL MOUNT | AM81320 | 2 |
| 9 | WASHER 32x12.2x3mm | Ac4246 | 2 |
| 10 | SET SCREW M10 x 55 | SM1055 | 2 |
| 11 | FLAT WASHER M10 | WM10G | 2 |
| 12 | LOWER BUFFER | BSG1236 | 2 |
| 13 | TOP BUFFER | BSG1235 | 2 |
| 14 | SPRING | RT-00003098 | 2 |
| 15 | SET SCREW M10 x 20 | SM1020 | 2 |
| 16 | PLAIN NUT M10 | NM10 | 2 |
| 17 | SPRING ANCHOR FAB | BSG109 | 2 |
| 18 | SET SCREW M8 x 16 | BSG109 | 2 |
| 19 | PLAIN NUT M8 | NM8 | 2 |

MODEL C34:- Lower Handle Bar Assembly

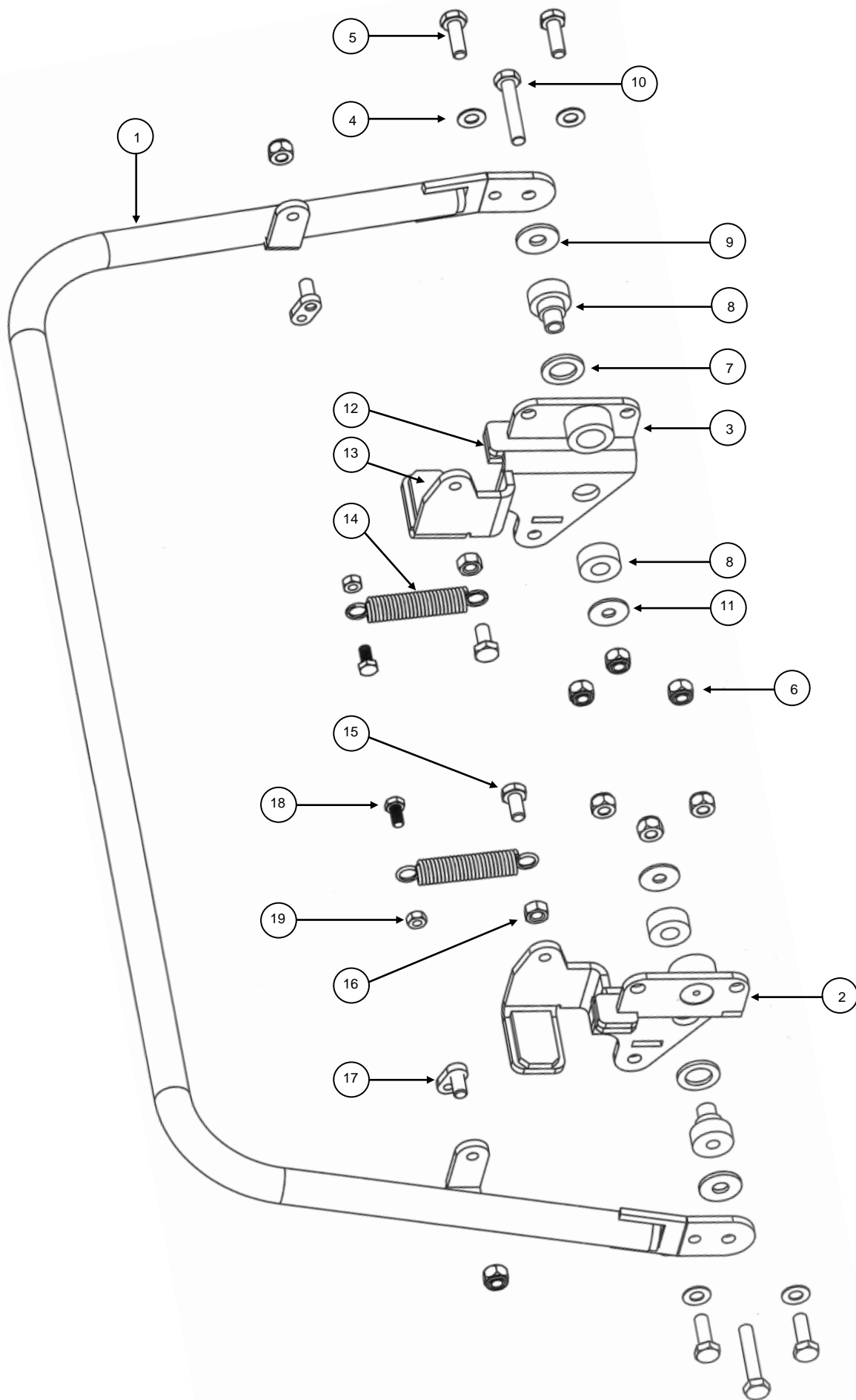


FIG 6

MODEL C34:- Rear Roller Assembly (FIG 7)

| ITEM NO. | DESCRIPTION | PART NUMBER | USED |
|-----------------|---------------------------------|--------------------|-------------|
| 1 | REAR ROLLER CENTRE FAB | AB053 | 1 |
| 2 | Key 1/4" x 1.1/4" Form A | AM92888 | 2 |
| 3 | REAR ROLLER SHAFT | C1581 | 1 |
| 4 | BRONZE BUSH 3/4 x 7/8 x 3/4 LG | AM82654 | 4 |
| 5 | DIFF. SHAFT FAB. -DUAL GEAR | AB056 | 1 |
| 6 | DIFF. SHAFT FAB - SINGLE GEAR | AB055 | 1 |
| 7 | SPACER DIFF. | AB1051 | 4 |
| 8 | CIRCLIP, EXTERNAL S019M | AM81126 | 1 |
| 9 | BAR- REAR ROLLER LOCKING COLLAR | BSG016 | 2 |
| 10 | BEARING 20MM FLANGED LFTCB11010 | AM81008 | 2 |
| 11 | DIFF PINION - 12 TOOTH HUB | AB1053 | 1 |
| 12 | PARALLEL KEY 5X5X25 FORM C | AM81125 | 1 |
| 13 | SEALING BAND | AB1066 | 2 |
| 14 | OIL SEAL HOUSING | AB1065 | 2 |
| 15 | OIL SEAL 105 ID, 130 OD, 12W | AM81124 | 2 |
| 16 | BEARING 25mm | AM85314 | 2 |
| 17 | RING GEAR (28T) | AB1056 | 2 |
| 18 | SET SCREW M6 X 45 ZC | SM645 | 8 |
| 19 | SPRING WASHER M6 | SWM6 | 8 |
| 20 | MUDGAURD WASHER | WM6G | 1 |
| 21 | M6X20 SET SCREW | SM620 | 1 |
| 22 | GRUB SCREW M8 x 8 | ACGM8 | 5 |
| 23 | SPRING WASHER | SWM8 | 15 |
| 24 | SET SCREW 3-8 UNF x 1 | S11014 | 3 |
| 25 | 3/8 WASHER | W11011 | 4 |
| 26 | 3/8 UNF x 1- 1/2" | S11011 | 1 |
| 27 | BU/C34 ROLLER SEAL PLATE | AB1107 | 8 |
| 28 | BOLT M8 x 80 | BM880 | 8 |
| 29 | BEARING - 25mm | AM81049 | 2 |
| 30 | REAR ROLLER TAB WASHER | BSG1320 | 2 |
| 31 | SET SCREW M8 x 25 | SM825 | 6 |
| 32 | C34 REAR ROLLER OUTER SECTION | C068 | 2 |
| - | COMPLETE REAR ROLLER ASSY | C075 | - |

MODEL C34:- Main Frame Assembly (FIG 8)

| ITEM | DESCRIPTION | PART NUMBER | USED |
|------|---------------------------|-------------|------|
| 1 | DRIVE GAURD | C1580 | 1 |
| 2 | NYLOC NUT M8 | NNM8 | 2 |
| 3 | FLAT WASHER M8 FORM A | WM8A | 2 |
| 4 | CYLINDER PULLEY | C1594 | 1 |
| 5 | BEARING HOUSING | C1045 | 1 |
| 6 | DRIVE SPINDLE | C1528 | 1 |
| 7 | BEARING ANGULAR CONTACT | AM81436 | 1 |
| 8 | KEY 6x6x20 FORM A | AM81500 | 1 |
| 9 | SPRING WASHER 3/8" | W11011 | 2 |
| 10 | SET SCREW 3/8" UNF x 3/4" | S11011 | 2 |
| 11 | BOTTOM BELT GUIDE FAB | C319 | 1 |
| 12 | SPRING WASHER M6 | SWM6 | 2 |
| 13 | BOLT M6 x 65 | BM665 | 2 |
| 14 | REAR ROLLER SORICKET | C1599 | 1 |
| 15 | DISTANCE PIECE | C1069 | 1 |
| 16 | KEY 6x6x20 FORM A | AM81500 | 1 |
| 17 | WASHER M8 FORM G | WM8G | 1 |
| 18 | SPRING WASHER M8 | SWM8 | 1 |
| 19 | SET SCREW M8 x 20 | SM820 | 1 |
| 20 | CHAIN 1/2" 29 PITCH | AM89436 | 1 |
| 21 | CHAIN 3/8" 80 PITCH | C1601 | 1 |
| 22 | SPACER FLYWHEEL 50x11.2x5 | AFK1201 | 1 |
| 23 | SMALL COMPOUND | BSG025 | 1 |
| 24 | 9mm BEARING | AM90513 | 1 |
| 25 | BEARING 20mm 6004 2RS | AM81007 | 1 |
| 26 | COMPOUND CENTRE | BSG1288 | 1 |
| 27 | NYLOC NUT M10 | NNM10 | 1 |
| 28 | NYLOC NUT M8 | NNM8 | 1 |
| 29 | FLAT WASHER M8 FORM A | WM8A | 1 |
| 30 | TOP SPROCKET | BSG022 | 1 |
| 31 | CHAIN TENSIONER ASSY | BSG178 | 1 |
| 32 | NYLOC NUT M10 | NNM10 | 1 |
| 33 | PLAIN WASHER M10 FORM A | WM10A | 1 |
| 34 | SET SCREW M10x45 | SM1045 | 1 |
| 35 | PULLEY TRIPLE | AM94027 | 1 |
| 36 | TOP BELT GUIDE FAB | C318 | 2 |
| 37 | SET SCREW 3/8" UNF x 3/4" | S11011 | 2 |
| 38 | NYLOC NUT 3/8" UNF | N11002 | 1 |
| 39 | CABLE ANCHOR FAB | BSG012 | 1 |
| 40 | FLAT WASHER M6 FORM A | WM6A | 1 |
| 41 | NYLOC NUT M6 | NNM6 | 1 |
| 42 | CABLE RETAINING PLATE | AB008 | 1 |
| 43 | SET SCREW M6 x 35 | SM635 | 1 |
| 44 | FLAT WASHER M6 FORM A | WM6 | 1 |
| 45 | PLAIN NUT M6 | NM6 | 1 |
| 46 | CUTTER CLUTCH ASM'Y | BG005 | 1 |
| 47 | CUTTER CLUTCH PIVOT | BSG1041 | 1 |
| 48 | SET SCREW M10 x 40 | SM1040 | 1 |
| 49 | NYLOC NUT M10 | NNM10 | 1 |
| 50 | FLAT WASHER M10 FORM A | WM10A | 1 |
| 51 | FLAT WASHER M10 FORM G | WM10G | 1 |
| 52 | DRIVE PLATE FAB | C210 | 1 |
| 53 | GASKET DRIVE SHEET | C1587 | 1 |
| 54 | CUTTER BELT C34 | AM81499 | 3 |
| 55 | SPRING | AM90519 | 1 |
| 56 | C34 MK5 CHASSIS FAB | C331 | 1 |
| 57 | SUPPORT PIN | C1529 | 1 |

MODEL C34:- Main Frame Assembly

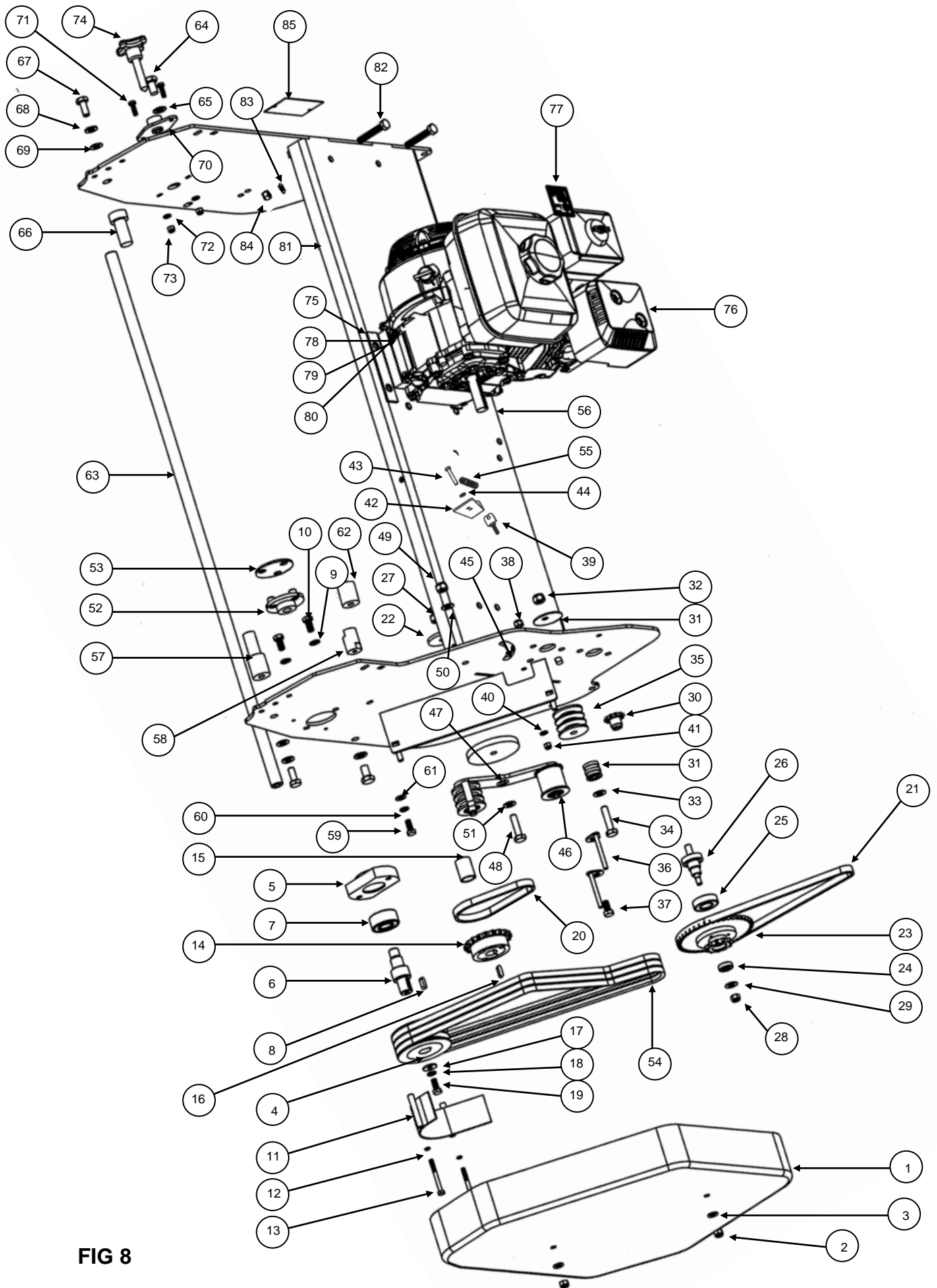


FIG 8

MODEL C34: MAIN FRAME ASSEMBLY (FIG 8)

| ITEM | DESCRIPTION | PART NUMBER | USED |
|------|----------------------------|-------------|------|
| 58 | LOCATING STOP BOSS | C1154 | 1 |
| 59 | SET SCREW M8 x 20 | SM820 | 1 |
| 60 | SPRING WASHER M8 | SWM8 | 1 |
| 61 | M8 FLAT WASHER FORM A | WM8 | 1 |
| 62 | C34 STOP SPACER | C1651 | 1 |
| 63 | SUPPORT TIE BAR | C1584 | 1 |
| 64 | SET SCREW M12 x 20 | SM1220 | 2 |
| 65 | SPRING WASHER M12 | SWM12 | 2 |
| 66 | SUPPORT PIN-NON DRIVE SIDE | C1585 | 1 |
| 67 | SET SCREW M0 x 25 | SM1025 | 2 |
| 68 | SPRING WASHER M10 | SWM10 | 2 |
| 69 | FLAT WASHER M10 | WM10 | 2 |
| 70 | LOCATING BOSS WA | C238 | 1 |
| 71 | SET SCREW M6 x 20 | SM620 | 2 |
| 72 | M6 FLAT WASHER FORM A | WM6A | 2 |
| 73 | NYLOC NUT M6 | NNM6 | 2 |
| 74 | HANDLE WHEEL ASSM'Y | C217 | 1 |
| 75 | ENGINE SPACER 3mm | AB1091 | 2 |
| 76 | HONDA GX200 | GX200 | 1 |
| 77 | DECAL 100dB | AM81434 | 1 |
| 78 | SET SCREW M8 x 40 | SM840 | 4 |
| 79 | SPRING WASHER M8 | SWM8 | 4 |
| 80 | FLAT WASHER M8 FORM A | WM8A | 4 |
| 81 | DECK STIFFNER | C1579 | 1 |
| 82 | SET SCREW M10 x 60 | SM1060 | 4 |
| 83 | FLAT WASHER M10 FORM A | WM10A | 4 |
| 84 | NYLOC NUT M10 | NNM10 | 4 |
| 85 | SERIAL PLATE | T000333 | 1 |

MODEL C34:- Main Frame Assembly

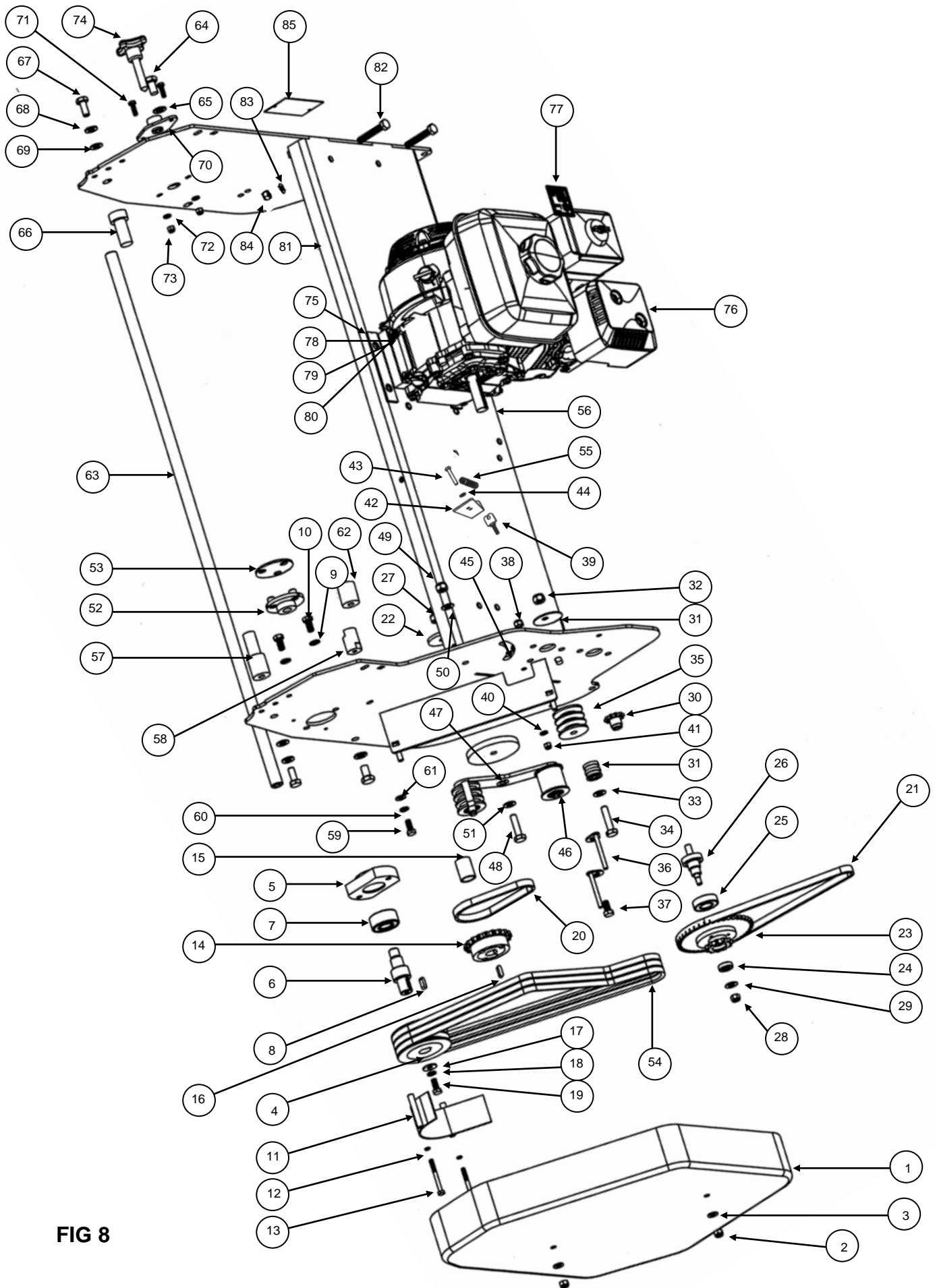


FIG 8

MODEL C34: BRUSH CARTRIDGE (FIG 9)

| ITEM | DESCRIPTION | PART NUMBER | USED |
|------|--------------------------------|-------------|------|
| 1 | SUPPORT ANGLE | C1615 | 1 |
| 2 | CARTRIDGE HANDLE | C1132 | 1 |
| 3 | END PLATE | C1014 | 2 |
| 4 | ACCESSORY DRIVE SIDE PLATE | C1610 | 1 |
| 5 | STOP BOSS | C1021 | 1 |
| 6 | ACCESSORY NON-DRIVE SIDE PLATE | C1611 | 1 |
| 7 | LOCK BOSS | C1006 | 1 |
| 8 | DRIVEN PLATE | C1040 | 1 |
| 9 | TIE BAR - 34" | C1532 | 2 |
| 10 | ACCESSORY DEFLECTOR PLATE | C1613 | 1 |
| 11 | BEARING 20MM FLANGED | AM81008 | 2 |
| 12 | SET SCREW 6X16 | SM616 | 9 |
| 13 | WASHER PLAIN M6 | WM6 | 9 |
| 14 | NUT NYLOC M6 | NNM6 | 9 |
| 15 | SCREW M6 x 16 ROOFING BOLT ZC | S11060 | 1 |
| 16 | SCREW 3-8X3-4 UNF | S11011 | 4 |
| 17 | WASHER SPRING 3-8 | SW 3-8 | 4 |
| 18 | WASHER SPRING M12 ZC | SWM12 | 4 |
| 19 | SET SCREW 12X55 | M1255 | 4 |
| 20 | SET SCREW M12X30 | M1230 | 4 |
| 21 | WASHER PLAIN M12 | WM12 | 4 |
| 22 | NUT NYLOC M12 | NNM12 | 4 |
| 23 | CYLINDER BLADE WARNING DECAL | AM81541 | 1 |
| 24 | CE PLATE | T000333 | 1 |
| 25 | BRUSH SHAFT | C1623 | 1 |
| 26 | BRUSH | C1622 | 1 |

MODEL C34: BRUSH CARTRIDGE

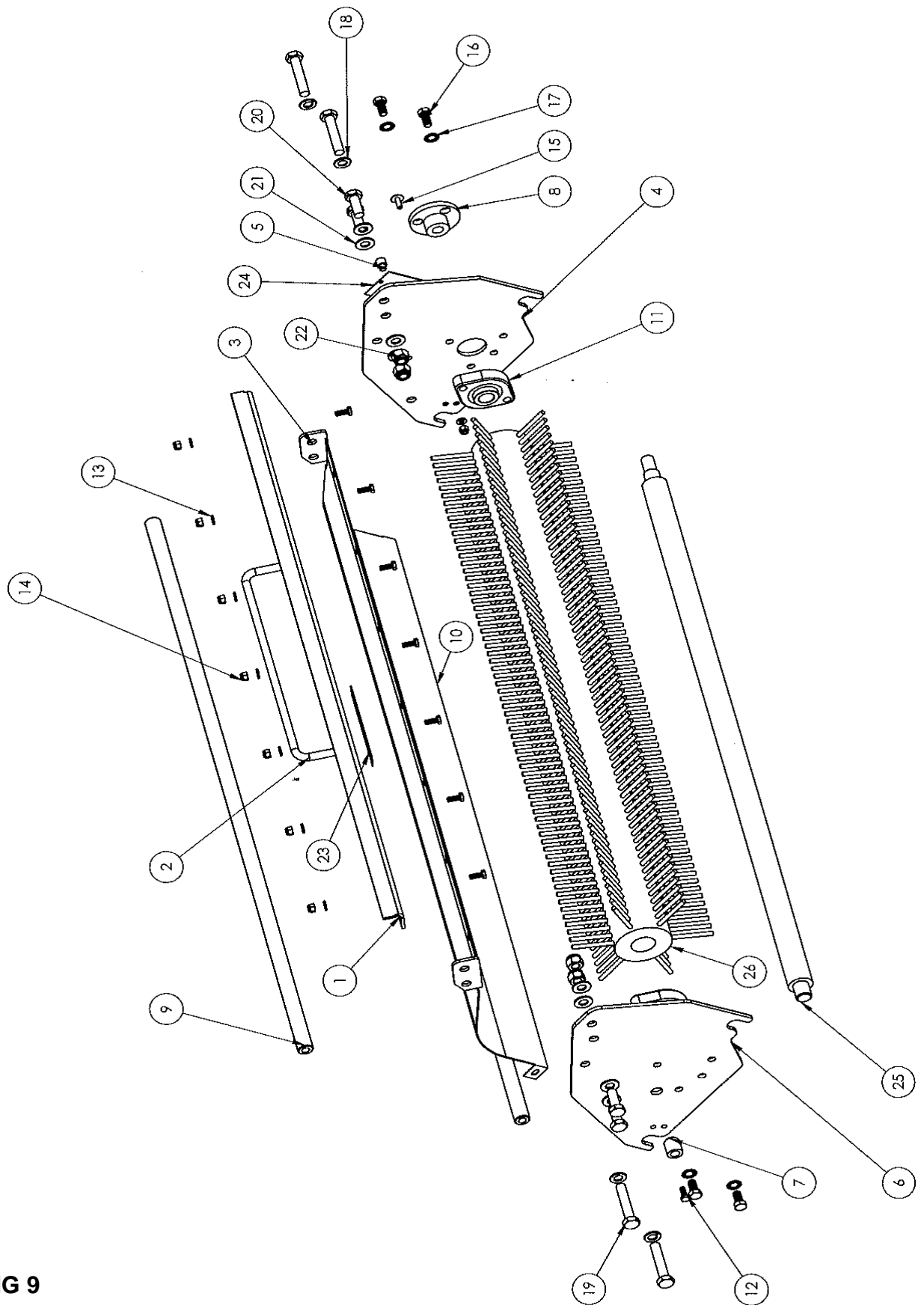


FIG 9

MODEL C34: VERTICUTTER CARTRIDGE BOM (FIG 10)

| ITEM | DESCRIPTION | PART | USED |
|------|---------------------------------|---------|------|
| 1 | SUPPORT ANGLE | C1615 | 1 |
| 2 | CARTRIDGE HANDLE | C1132 | 1 |
| 3 | END PLATE | C1014 | 2 |
| 4 | ACCESSORY DRIVE SIDE PLATE | C1610 | 1 |
| 5 | STOP BOSS | C1021 | 1 |
| 6 | ACCESSORY NON-DRIVE SIDE PLATE | C1611 | 1 |
| 7 | LOCK BOSS | C1006 | 1 |
| 8 | DRIVEN PLATE | C1040 | 1 |
| 9 | TIE BAR - 34" | C1532 | 2 |
| 10 | ACCESSORY DEFLECTOR PLATE | C1613 | 1 |
| 11 | BEARING 20MM FLANGED LFTCB11010 | AM81008 | 2 |
| 12 | SET SCREW 6X16 | SM616 | 9 |
| 13 | WASHER PLAIN M6 | WM6 | 9 |
| 14 | NUT NYLOC M6 | NNM6 | 9 |
| 15 | SCREW M6 x 16 ROOFING BOLT ZC | S11060 | 1 |
| 16 | SCREW 3-8X3-4 UNF | S11011 | 4 |
| 17 | WASHER SPRING 3-8 | SW 3-8 | 4 |
| 18 | WASHER SPRING M12 ZC | SWM12 | 4 |
| 19 | SET SCREW 12X55 | M1255 | 4 |
| 20 | SET SCREW M12X30 | M1230 | 4 |
| 21 | WASHER PLAIN M12 | WM12 | 4 |
| 22 | NUT NYLOC M12 | NNM12 | 4 |
| 23 | CYLINDER BLADE WARNING DECAL | AM81541 | 1 |
| 24 | CE PLATE | T000333 | 1 |
| 25 | SCARIFIER/VERTI-CUTTER SHAFT | C1542 | 1 |
| 26 | WASHER PLAIN M24 | WM24 | 1 |
| 27 | FAN BLANK | C1126 | 47 |
| 28 | SPACER | C1131 | 49 |
| 29 | CIRCLIP EXTERNAL DOMED | AM81229 | 1 |
| 30 | WASHER PLAIN M24 | WM24 | 1 |
| 31 | M24 TOOTHED SHAKEPROOF WASHER | WM24TI | 1 |
| 32 | NUT HALF M24 | NHM24 | 1 |
| 33 | VERTI-CUTTER BLADE | AZ1072 | 48 |

MODEL C34: VERTICUTTER CARTRIDGE

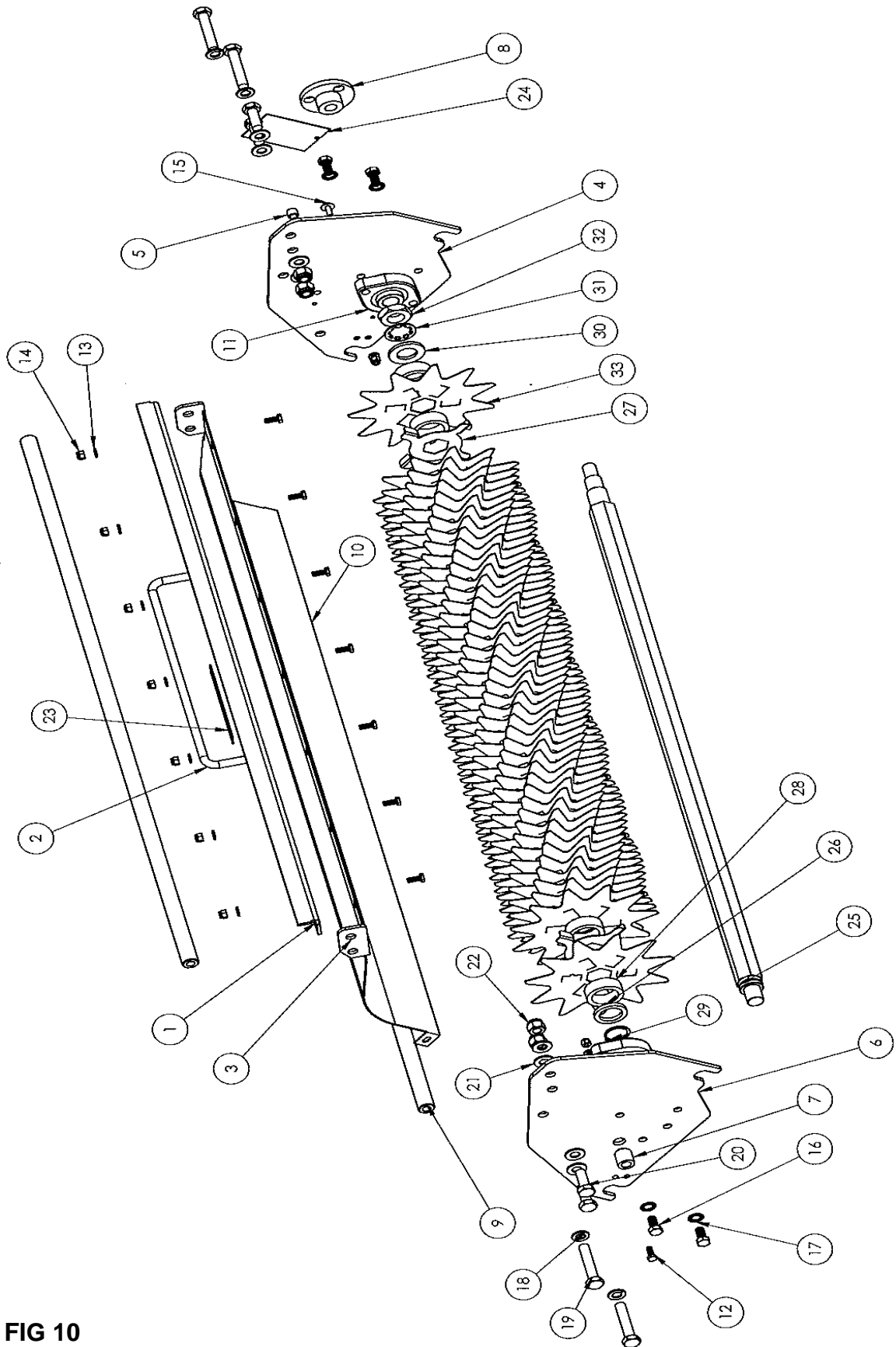


FIG 10

MODEL C34: SCARIFIER CARTRIDGE BOM (FIG 11)

| ITEM | DESCRIPTION | PART | USED |
|------|---------------------------------|---------|------|
| 1 | SCARIFIER/VERTI-CUTTER SHAFT | C1542 | 1 |
| 2 | SPACER | C1131 | 50 |
| 3 | SUPPORT ANGLE | C1615 | 1 |
| 4 | CARTRIDGE HANDLE | C1132 | 1 |
| 5 | END PLATE | C1014 | 2 |
| 6 | ACCESSORY DRIVE SIDE PLATE | C1610 | 1 |
| 7 | STOP BOSS | C1021 | 1 |
| 8 | ACCESSORY NON-DRIVE SIDE PLATE | C1611 | 1 |
| 9 | LOCK BOSS | C1006 | 1 |
| 10 | DRIVEN PLATE | C1040 | 1 |
| 11 | TIE BAR - 34" | C1532 | 2 |
| 12 | ACCESSORY DEFLECTOR PLATE | C1613 | 1 |
| 13 | BEARING 20MM FLANGED LFTCB11010 | AM81008 | 2 |
| 14 | C34 TUNGSTEN TIPPED SCARIFIER | AM81506 | 49 |
| 15 | WASHER PLAIN M24 | WM24 | 1 |
| 16 | CIRCLIP EXTERNAL DOMED | AM81229 | 1 |
| 17 | NUT HALF M24 | NHM24 | 1 |
| 18 | WASHER PLAIN M24 | WM24 | 1 |
| 19 | M24 TOOTHED SHAKEPROOF WASHER | WM24TI | 1 |
| 20 | SET SCREW M6X16 | M616 | 9 |
| 21 | WASHER PLAIN M6 | WM6 | 9 |
| 22 | NUT NYLOC M6 | NNM6 | 9 |
| 23 | SCREW M6 x 16 ROOFING BOLT ZC | S11060 | 1 |
| 24 | SCREW 3-8X3-4 UNF | S11011 | 4 |
| 25 | WASHER SPRING 3-8 | SW 3-8 | 4 |
| 26 | WASHER SPRING M12 ZC | SWM12 | 4 |
| 27 | SET SCREW 12X55 | M1255 | 4 |
| 28 | SET SCREW M12X30 | M1230 | 4 |
| 29 | WASHER PLAIN M12 | WM12 | 4 |
| 30 | NUT NYLOC M12 | NNM12 | 4 |
| 31 | CYLINDER BLADE WARNING DECAL | AM81541 | 1 |
| 32 | CE PLATE | T000333 | 1 |

MODEL C34: SCARIFIER CARTRIDGE

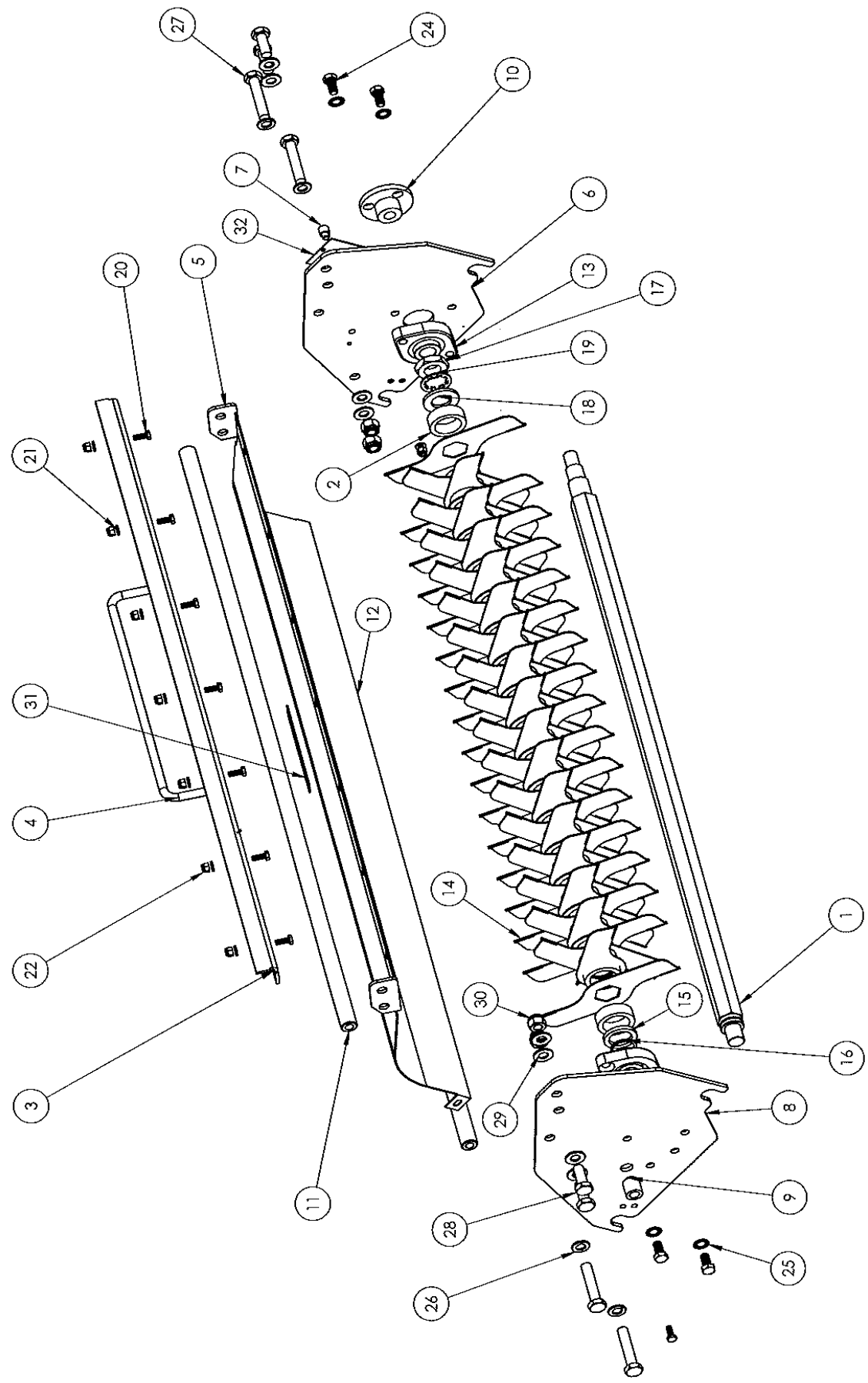


FIG 11

MODEL C34: SORREL CARTRIDGE BOM (FIG 12)

| ITEM | DESCRIPTION | PART | USED |
|------|---------------------------------|-------------|------|
| 1 | SUPPORT ANGLE | C1615 | 1 |
| 2 | CARTRIDGE HANDLE | C1132 | 1 |
| 3 | END PLATE | C1014 | 2 |
| 4 | ACCESSORY DRIVE SIDE PLATE | C1610 | 1 |
| 5 | STOP BOSS | C1021 | 1 |
| 6 | ACCESSORY NON-DRIVE SIDE PLATE | C1611 | 1 |
| 7 | LOCK BOSS | C1006 | 1 |
| 8 | DRIVEN PLATE | C1040 | 1 |
| 9 | TIE BAR - 34" | C1532 | 2 |
| 10 | ACCESSORY DEFLECTOR PLATE | C1613 | 1 |
| 11 | BEARING 20MM FLANGED LFTCB11010 | AM81008 | 2 |
| 12 | SET SCREW M6X16 | M616 | 9 |
| 13 | WASHER PLAIN M6 | WM6 | 9 |
| 14 | NUT NYLOC M6 | NNM6 | 9 |
| 15 | SCREW M6 x 16 ROOFING BOLT ZC | S11060 | 1 |
| 16 | SCREW 3-8X3-4 UNF | S11011 | 4 |
| 17 | WASHER SPRING 3-8 | SW 3-8 | 4 |
| 18 | WASHER SPRING M12 ZC | SWM12 | 4 |
| 19 | SET SCREW 12X55 | M1255 | 4 |
| 20 | SCREW 3-8X3-4 UNF | S11011 | 4 |
| 21 | WASHER PLAIN M12 | WM12 | 4 |
| 22 | NUT NYLOC M12 | NNM12 | 4 |
| 23 | CYLINDER BLADE WARNING DECAL | AM81541 | 1 |
| 24 | CE PLATE | T000333 | 1 |
| 25 | SORREL ROLLER TUBE 34" | C1620 | 1 |
| 26 | END PLATE | C1107 | 2 |
| 27 | SORREL ROLLER SHAFT 34" | C1621 | 1 |
| 28 | SORREL SPIKE (LARGE) | RT-00001712 | 92 |

MODEL C34: SORREL ROLLER CARTRIDGE

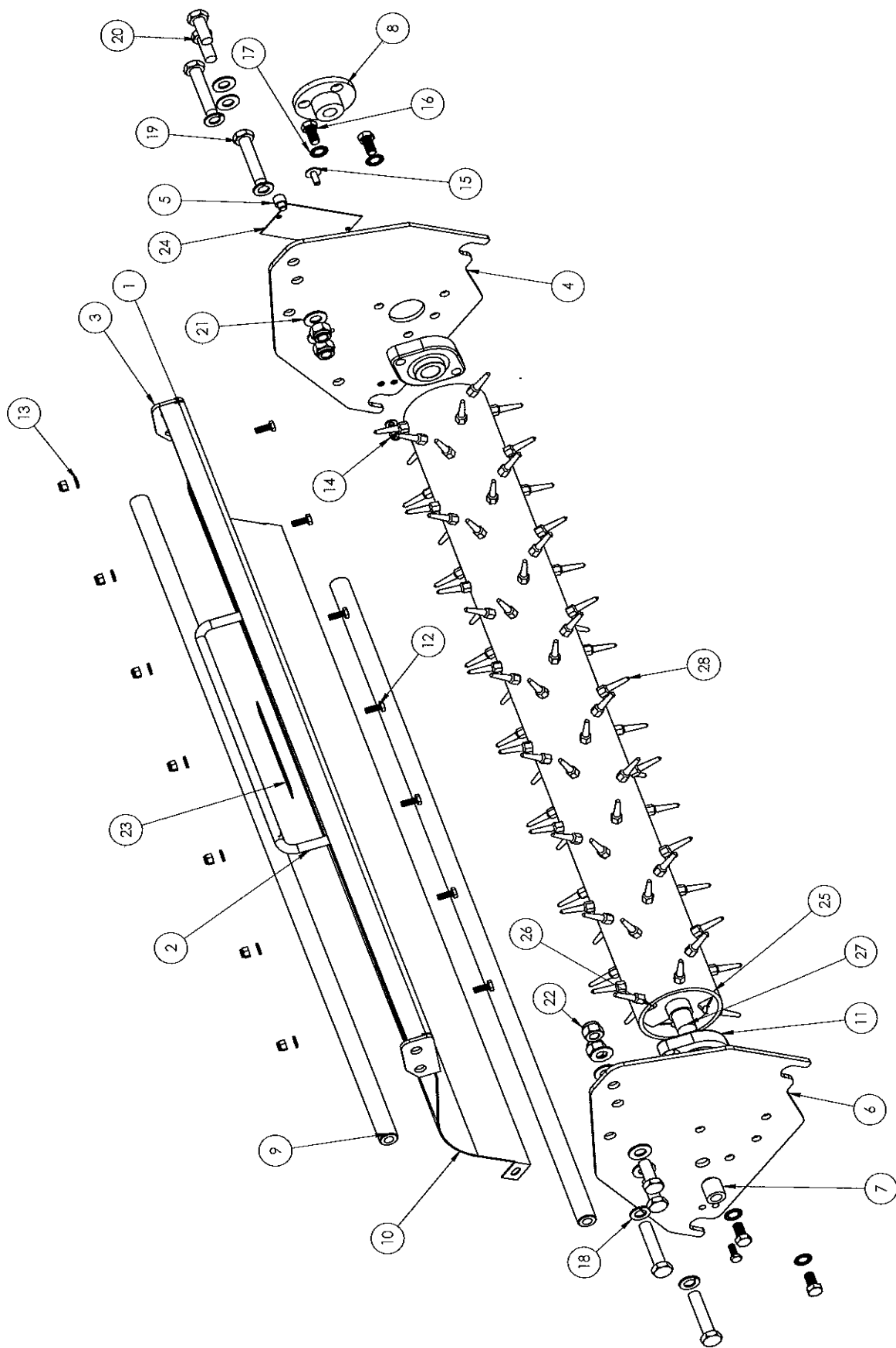


FIG 12

MODEL C34: CUTTING CYLINDER - 8BL FOOTBALL BOM

(FIG 15)

| ITEM | DESCRIPTION | PART | USED |
|------|---------------------------------------|---------|------|
| 1 | C34 8 BLADED CYLINDER | C303-8 | 1 |
| 2 | BEARING | AM81009 | 2 |
| 3 | SET SCREW 3/8" UNF x 3/4" | S11011 | 4 |
| 4 | SPRING WASHER 3/8" | W11011 | 4 |
| 5 | FOOTBALL CYL DRIVE SIDE PLATE FAB | C332 | 1 |
| 6 | DRIVEN PLATE | C1040 | 1 |
| 7 | FOOTBALL CYL NON DRIVE SIDE PLATE FAB | C333 | 1 |
| 8 | FOOTBALL LIFT BAR FAB | C342 | 1 |
| 9 | SET SCREW M10 x 25 | SM1025 | 4 |
| 10 | NYLOC NUT M10 | NNM10 | 4 |
| 11 | FLAT WASHER M10 FORM C | WM10C | 4 |
| 12 | TIE BAR 34" | C1532 | 2 |
| 13 | SET SCREW M12 x 20 | SM1220 | 4 |
| 14 | SPRING WASHER M12 | SWM12 | 4 |
| 15 | FOOTBALL DELIVERY PLATE | C1667 | 1 |
| 16 | FOOTBALL GUIDE VEIN | C1668 | 7 |
| 17 | SET SCREW M6 x 16 ROOFING BOLT | S11060 | 7 |
| 18 | NYLOC NUT M6 | NNM6 | 7 |
| 19 | FOOTBALL BTM BLADE CARRIER FAB | C341 | 1 |
| 20 | ADJUSTER SCREW ASSY | AB079 | 2 |
| 21 | ADJUSTER FORK | AB1004 | 2 |
| 22 | BOTTOM BLADE 34" | AB1062 | 1 |
| 23 | BOTTOM BLADE SCREW 3/8" x 1/2" | S11032 | 11 |
| 24 | SET SCREW 3/8" UNF x 1/2" | S11073 | 2 |
| 25 | SPRING WASHER 3/8" | W11011 | 2 |
| 26 | SET SCREW M6x16 | SM616 | 2 |
| 27 | PLAIN NUT M6 | NM6 | 2 |
| 28 | ROLL PIN M10 x MBK x 30 | AM89341 | 2 |
| 29 | SET SCREW M10 x 20 | SM1020 | 2 |
| 30 | SPRING WASHER M10 | SWM10 | 2 |
| 31 | DECAL – BOTTOM BLADE ADJUSTMENT | AM81540 | 2 |
| 32 | DECAL – CYLINDER BLADE WARNING | AM81541 | 1 |
| 33 | SERIAL PLATE | T000333 | 1 |
| 34 | POP RIVET 4.8 DIA x 16 STEEL | PR4820 | 2 |

MODEL C34: CUTTING CYLINDER - 8BL CARTRIDGE

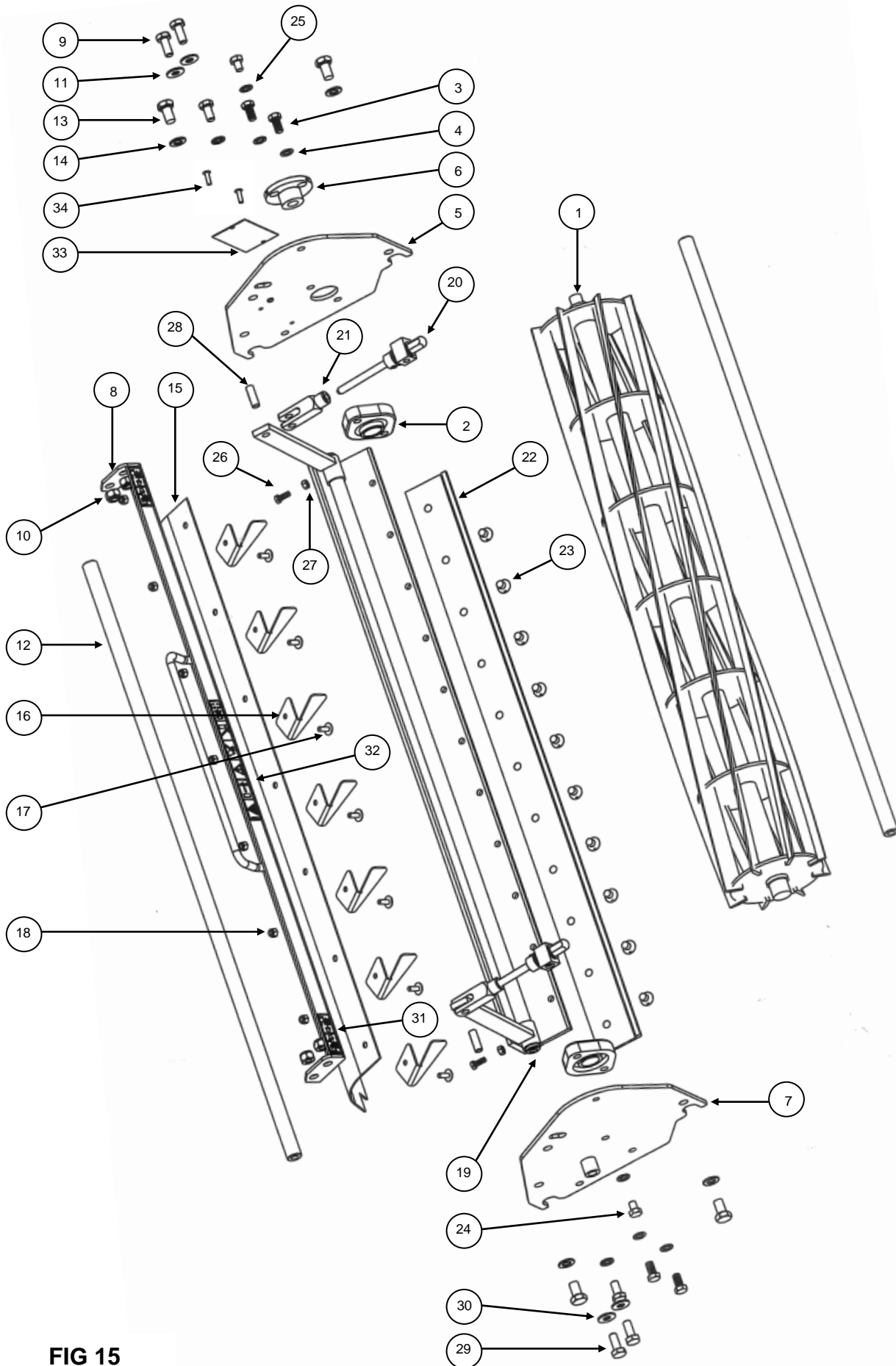


FIG 15

MODEL C34: CUTTING CYLINDER - 6BL BOM (FIG16)

| ITEM | DESCRIPTION | PART | USED |
|------|---------------------------------------|---------|------|
| 1 | C34 6 BLADED CYLINDER | C303-6 | 1 |
| 2 | BEARING | AM81009 | 2 |
| 3 | SET SCREW 3/8" UNF x 3/4" | S11011 | 4 |
| 4 | SPRING WASHER 3/8" | W11011 | 4 |
| 5 | FOOTBALL CYL DRIVE SIDE PLATE FAB | C332 | 1 |
| 6 | DRIVEN PLATE | C1040 | 1 |
| 7 | FOOTBALL CYL NON DRIVE SIDE PLATE FAB | C333 | 1 |
| 8 | FOOTBALL LIFT BAR FAB | C342 | 1 |
| 9 | SET SCREW M10 x 25 | SM1025 | 4 |
| 10 | NYLOC NUT M10 | NNM10 | 4 |
| 11 | FLAT WASHER M10 FORM C | WM10C | 4 |
| 12 | TIE BAR 34" | C1532 | 2 |
| 13 | SET SCREW M12 x 20 | SM1220 | 4 |
| 14 | SPRING WASHER M12 | SWM12 | 4 |
| 15 | FOOTBALL DELIVERY PLATE | C1667 | 1 |
| 16 | FOOTBALL GUIDE VEIN | C1668 | 7 |
| 17 | SET SCREW M6 x 16 ROOFING BOLT | S11060 | 7 |
| 18 | NYLOC NUT M6 | NNM6 | 7 |
| 19 | FOOTBALL BTM BLADE CARRIER FAB | C341 | 1 |
| 20 | ADJUSTER SCREW ASSY | AB079 | 2 |
| 21 | ADJUSTER FORK | AB1004 | 2 |
| 22 | BOTTOM BLADE 34" | AB1062 | 1 |
| 23 | BOTTOM BLADE SCREW 3/8" x 1/2" | S11032 | 11 |
| 24 | SET SCREW 3/8" UNF x 1/2" | S11073 | 2 |
| 25 | SPRING WASHER 3/8" | W11011 | 2 |
| 26 | SET SCREW M6x16 | SM616 | 2 |
| 27 | PLAIN NUT M6 | NM6 | 2 |
| 28 | ROLL PIN M10 x MBK x 30 | AM89341 | 2 |
| 29 | SET SCREW M10 x 20 | SM1020 | 2 |
| 30 | SPRING WASHER M10 | SWM10 | 2 |
| 31 | DECAL – BOTTOM BLADE ADJUSTMENT | AM81540 | 2 |
| 32 | DECAL – CYLINDER BLADE WARNING | AM81541 | 1 |
| 33 | SERIAL PLATE | T000333 | 1 |
| 34 | POP RIVET 4.8 DIA x 16 STEEL | PR4820 | 2 |

MODEL C34: CUTTING CYLINDER - 6BL CARTRIDGE

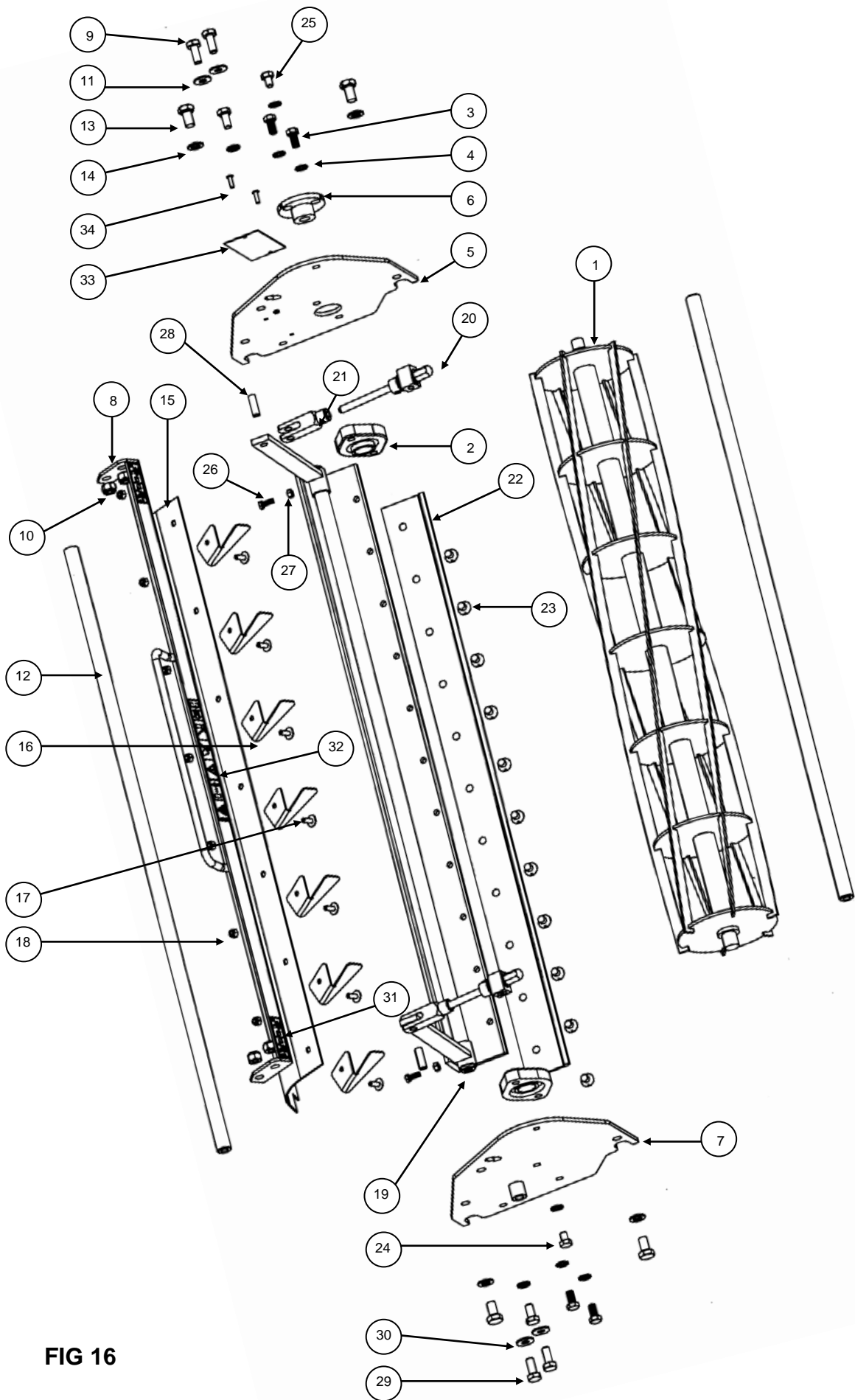


FIG 16

MODEL C34: TURF RAKE CARTRIDGE (FIG17)

| ITEM NO. | PART NUMBER | DESCRIPTION | USED |
|----------|-------------|----------------------------------|------|
| 1 | C324 | SUPPORT ANGLE FAB | 1 |
| 2 | C344 | C34TR DRIVE SIDE PLATE | 1 |
| 3 | C343 | C34TR NON DRIVE SIDE PLATE | 1 |
| 4 | C1040 | DRIVEN PLATE | 1 |
| 5 | C1532 | TIE BAR - 34" | 1 |
| 6 | S11060 | SCREW M6 x 16 ROOFING BOLT | 7 |
| 7 | WM6 | WASHER M6 | 9 |
| 8 | NNM6 | NUT M6 NYLOC | 9 |
| 9 | M6x16 CSK | M8x25 COUNTER SUNK SET SCREW | 1 |
| 10 | SM616 | SET SCREWM6 x 16 | 1 |
| 11 | SWM12 | SPRING WASHER M12 | 2 |
| 12 | SM1230 | M12 X 30 BOLT/SET SCREW | 6 |
| 13 | WM12 | WASHER M12 | 8 |
| 14 | NNM12 | NUT M12 NYLOC | 4 |
| 15 | AM81541 | CYLINDER BLADE CAUTION DECAL | 1 |
| 16 | T000333 | CE PLATE | 1 |
| 17 | AM81597 | 16mm FLANGE BEARING | 2 |
| 18 | C1163 | TURF RAKE BEARING SPACER | 2 |
| 19 | C1162 | SPRING TINE SHAFT 34" | 1 |
| 20 | AM81598 | 16mm HEAVY DUTY EXTERNAL CIRCLIP | 1 |
| 21 | F016A57926 | TINE CARRIER | 23 |
| 22 | WM16C | WASHER M16 FORM C | 1 |
| 23 | F016A58860 | RATCHET PLATE 16mm | 1 |
| 24 | C1692 | SPRING - LONG | 92 |
| 25 | C1177 | ACCESSORY DEFLECTOR PLATE | 1 |
| 26 | F016L36483 | ROL PIN 5mm x 30 | 1 |
| 27 | ACGM6 | M6 GRUBSCREW | 4 |
| 28 | S11014 | 3/8 X 1 UNF SET SCREW | 2 |
| 29 | W11011 | 3/8 SPRING WASHER | 4 |
| 30 | S11011 | 3/8 X 1- 1/2" UNF | 2 |
| 31 | PR4820 | POP RIVET 4.8 DIA X16mm STEEL | 2 |

MODEL C34: TURF RAKE CARTRIDGE

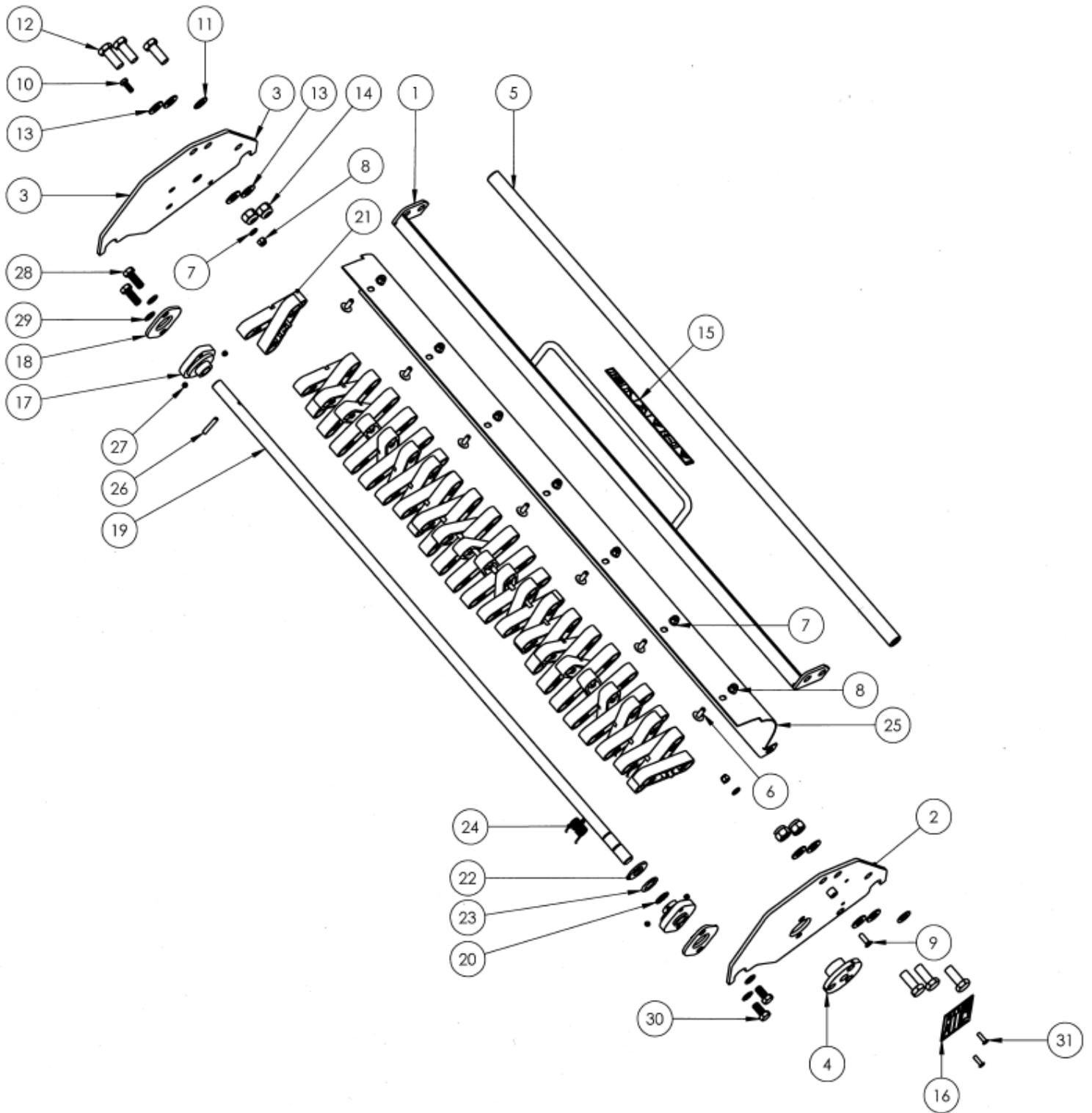


FIG 17