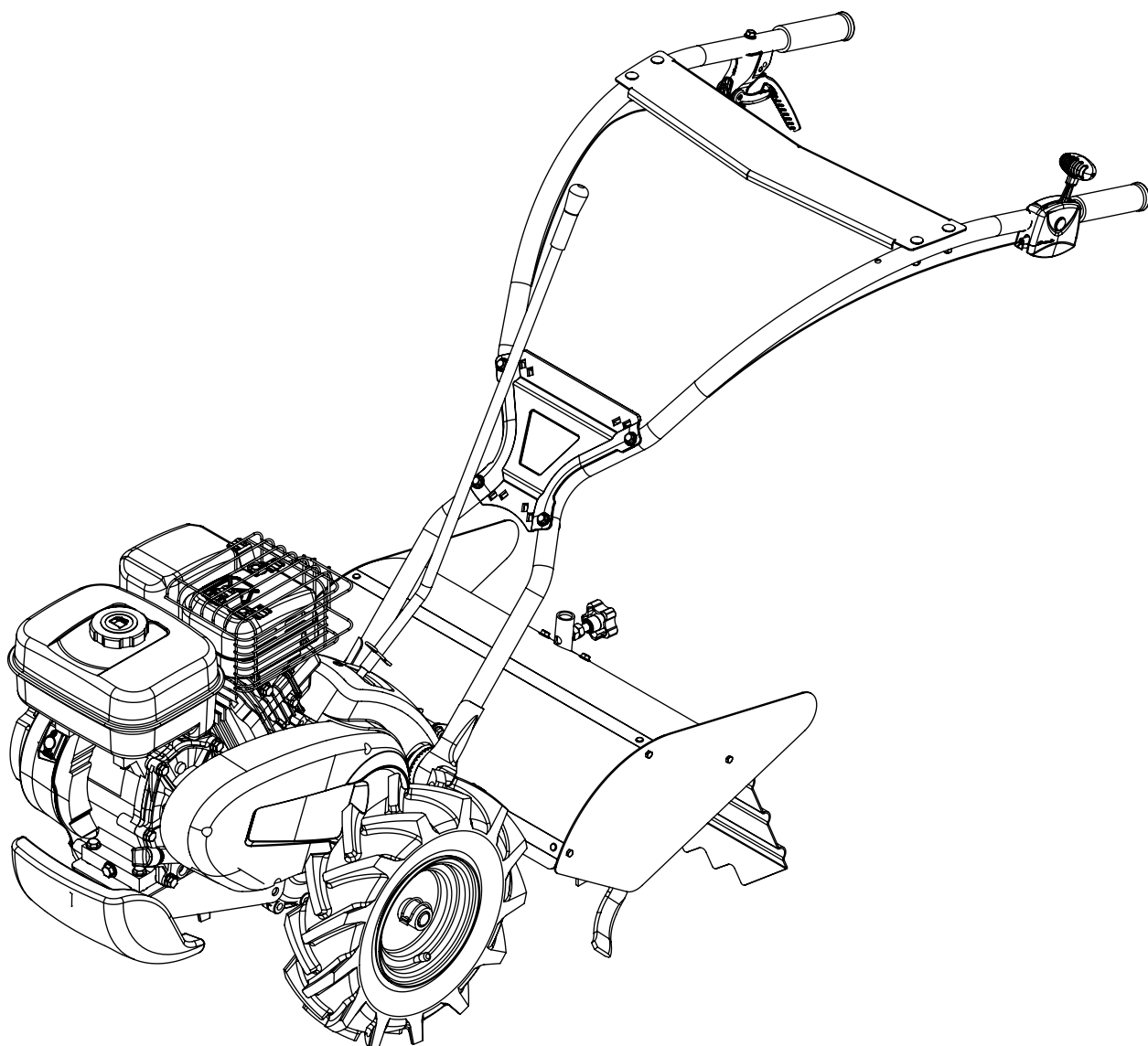


Pièces de rechange Spare parts list

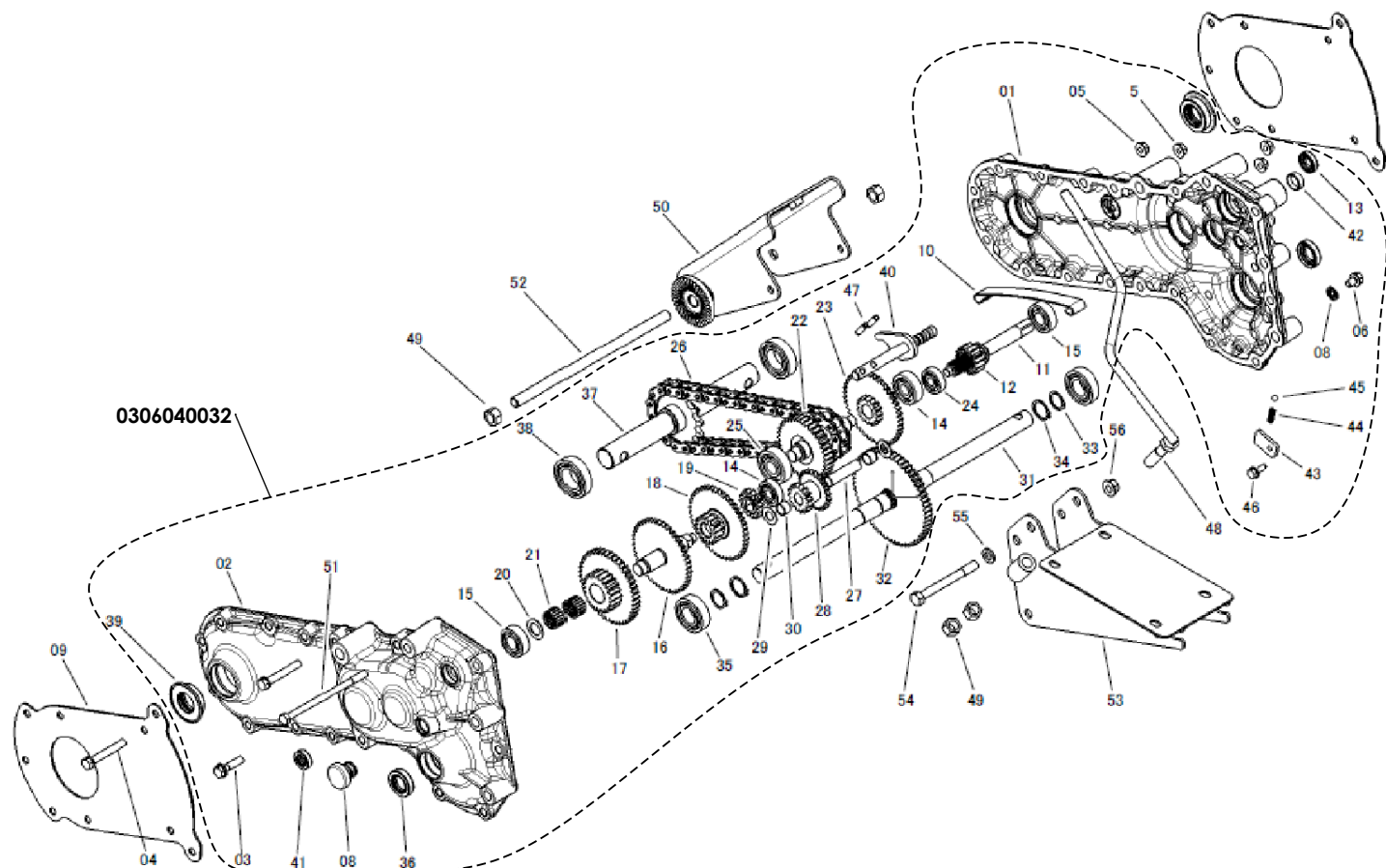
3200**01**



*FRAISE ARRIERE
REAR TINE TILLER*

Rep N°	Ref.	Désignation	Description		Qte
1	3502010320	BEQUILLE Ø16 xNOIRx	SPUR BLACK		1
2	3202002309	CARTER ROTO400 BLEU P301	TINES COVER ROTO400 BLUE P301		1
2	3202002009	CARTER ROTO400 VERT RAL6029	TINES COVER ROTO400 GREEN RAL6029		1
2	3202001309	CARTER ROTO400 ROUGE RAL3001	TINES COVER ROTO400 RED RAL3001		1
2	3202000309	CARTER ROTO400 NOIR RAL9005	TINES COVER ROTO400 BLACK RAL9005		1
3	3202002308	PANNEAU ARRIERE CARTER FRAISE BLEU P301	TINES REAR COVER BLUE P301		1
3	3202002008	PANNEAU ARRIERE CARTER FRAISE VERT RAL6029	TINES REAR COVER GREEN RAL6029		1
3	3202000508	PANNEAU ARRIERE CARTER FRAISE GRIS (8120)	TINES REAR COVER GREY (8120)		1
3	3202000308	PANNEAU ARRIERE CARTER FRAISE NOIR RAL9005	TINES REAR COVER BLACK RAL9005		1
4	3202002307	FLANC CARTER ROTO ECO BLEU P301	TINES COVER SIDE ROTO400 BLUE P301		2
4	3202001307	FLANC CARTER ROTO ECO ROUGE RAL3001	TINES COVER SIDE ROTO400 RED RAL3001		2
4	3202000307	FLANC CARTER ROTO ECO NOIR RAL9005	TINES COVER SIDE ROTO400 BLACK RAL9005		2
4	3002002007	FLANC CARTER ROTO ECO VERT RAL6029	TINES COVER SIDE ROTO400 GREEN RAL6029		2
5	3202000704	GUIDON DROIT ROTO400 GRIS (8201)	RIGHT HANDLEBAR ROTO400 GREY (8201)		1
5	3202000504	GUIDON DROIT ROTO400 GRIS (8120)	RIGHT HANDLEBAR ROTO400 GREY (8120)		1
5	3202000304	GUIDON DROIT ROTO400 NOIR RAL9005	RIGHT HANDLEBAR ROTO400 BLACK RAL9005		1
6	3202000703	GUIDON GAUCHE ROTO400 GRIS (8201)	LEFT HANDLEBAR ROTO400 GREY (8201)		1
6	3202000503	GUIDON GAUCHE ROTO400 GRIS (8120)	LEFT HANDLEBAR ROTO400 GREY (8120)		1
6	3202000303	GUIDON GAUCHE ROTO400 NOIR RAL9005	LEFT HANDLEBAR ROTO400 BLACK RAL9005		1
7	3202000702	TABLEAU DE BORD ROTO400 GRIS (8201)	INSTRUMENT PANEL ROTO400 GREY (8201)		1
7	3202000502	TABLEAU DE BORD ROTO400 GRIS (8120)	INSTRUMENT PANEL GREY (8120)		1
7	3202000302	TABLEAU DE BORD ROTO400 NOIR RAL9005	INSTRUMENT PANEL ROTO400 BLACK RAL9005		1
8	3202000311	ENSEMBLE SUPPORT BEQUILLE NOIR RAL9005	SPUR SUPPORT BLACK RAL9005		1
9	3202000310	CACHE INTERIEUR ROTO400 NOIR RAL9005	INTERIOR HIDE ROTO400 BLACK RAL9005		1
10	3202000306	SUPPORT CONTRE POIDS ROTO 400 NOIR RAL9005	COUNTERWEIGHT SUPPORT ROTO400 BLACK RAL9005		1
11	3202000101	GUIDE COURROIE SOUDE ROTO 400 ZINGUE Blanc	DRIVE BELT ROTO 400		1
12	0503010321	STICKER VITESSE M1203	SPEED LABEL M1203		1
13	0503000077	ETIQ. "SECURITE" 31x31 MM PROTECTION AUDITIVE	SAFTY STICKER EARS PROTECTION		1
14	0503000045	ETIQ. POIGNEE GAZ (AVEC STOP)	STICKER THROTTLE CONTROL STOP-MIN-MAX	750SERIES, EP	1
14	0503000043	ETIQ. GAZ (SS STOP)VERS PNEUM DIM 42X11	Label throttle control without stop	GX, R180	1
15	0503000036	"ETIQ. ""SECURITE 5 LOGOS""Xce	STICKER SECURITY		1
16	0503000031	"ETIQ. ""MARCHE/ARRET""/SWITCH DIM. 20 X 15	STICKER SWITCH ON/OFF GX	GX, R180	1
17	0341000037	POIGNEE PLASTIQUE DIAM 25 CB	HAND SIDE GRIP		2
18	0341000003	GALET 2 EPAULEMENTS ROUL 6200 ZZ	CLUTCH RUNNER ROUL 6200 ZZ		1
19	0340320008	CAPOT POTENCE ROTO400 ROUGE RAL3001	BRACKET COVER ROTO400 RED RAL3001		1
19	0340320006	CAPOT POTENCE ROTO400 VERT RAL6029	BRACKET COVER ROTO400 GREEN RAL6029		1
19	0340320004	CAPOT POTENCE ROTO400 BLEU RAL5010	BRACKET COVER ROTO400 BLUE RAL5010		1
19	0340320002	CAPOT POTENCE ROTO400 NOIR RAL9005	BRACKET COVER ROTO400 BLACK RAL9005		1
20	0340320007	CAPOT COURROIE ROTO400 ROUGE RAL3001	BELT COVER ROTO400 RED RAL3001		1
20	0340320005	CAPOT COURROIE ROTO400 VERT RAL6029	BELT COVER ROTO400 GREEN RAL6029		1
20	0340320003	CAPOT COURROIE ROTO400 BLEU RAL5010	BELT COVER ROTO400 BLUE RAL5010		1
20	0340320001	CAPOT COURROIE ROTO400 NOIR RAL9005	BELT COVER ROTO 400 BLACK RAL9005		1
21	0340030049	CACHE CENTRAL GUIDON D1001 NOIR RAL9005	HANDLEBAR CENTRAL COVER D1001 BLACK RAL9005		1
22	0330092003	GRILLE ECHAPP R180/R210	EXHAUST GRILL R180/R210	R180	1
22	0330032001	GRILLE ECHAPPEMENT EP	EXHAUST GRILL EP	EP	1
22	0330012003	GRILLE ECHAP GX120/GX160	EXHAUST GRILL GX120/GX160	GX	1
23	0330012006	SWITCH STOP GX	Switch engine cut-off	GX, R180	1
24	0320070002	COUTEAU GAUCHE ROTO 400	LEFT BLADE ROTO400		1
25	0320070001	COUTEAU DROIT ROTO 400	RIGHT BLADE ROTO400		1
26	0320010029	FRAISE DEPART MONO DROITE D25 HEL 40X4	RIGHT TWIN TINES D25 HELICOID BLADE (40X4)		1
27	0320010028	FRAISE DEPART MONO GAUCHE D25 HEL 40X4	LEFT TWIN TINES D25 HELICOID BLADE (40X4)		1
28	0309000057	ROUE 3.50x6 GAUCHE PNEU 4PR JANTE 2.50x6 MOYEU 30-3/4"	LEFT WHEEL 3.50x6 TIRE 4PR RIM 2.50x6 HUB 30-3/4"		1
29	0309000056	ROUE 3.50x6 DROITE PNEU 4PR JANTE 2.50x6 MOYEU 30-3/4"	RIGHT WHEEL 3.50x6 TIRE 4PR RIM 2.50x6 HUB 30-3/4"		1
30	0308040052	CABLE GAZ x1250 xLF60 Z0° MANETTE LGC	Throttle cable Lg 1250mm stroke 60mm		1
31	0308020070	CABLE EMB Lg 1250 CF 106 LAKS EMB CLIP	CLUTCH CABLE LG1250 STROKE 106 LAKS LEVER x CLIP TIP		1
32	0307020029	POIGNEE TYPE B- D14 LG 80 NOIR	Knob Ø14 Lg.80		1
33	0307020023	MANETTE GAZ LGC POMMEAU NOIR RAL9005	THROTTLE LEVER LGC BLACK KNOB RAL9005		1
34	0307010030	LEVIER EMB LAKS C27 ECROU M6 TEMPO EMBRAYAGE	HANDLELEVER LAKS C27 NUT M6 CLUTCHING SYMBOL		1
35	0306060053	POULIE TRANSMISSION D105	TRANSMISSION PULLEY Ø105		1
36	0306060005	POULIE MOT D55 ALES 19,06	ENGINE PULLEY D55 BORE Ø19,06		1
37	0306040031	ENSEMBLE TRANSMISSION M1203	ROTO 400 TRANSMISSION		1
38	0306030083	COURROIE ROTO 400	ROTO 400 BELT		1
39	0304000425	EQUERRE CARTER ROTO400	TINE COVER SQUARE ROTO400		6
40	0304000420	LEVIER D'EMB ROTO ECO	PLATE FOR CLUTCH LEVER		1
41	0303000033	LEVIER DE VITESSE ROTO400	GEAR SHIFT LEVER ROTO400		1

Rep N°	Ref.	Désignation	Description		Qte
42	0303000032	CONTREPOIDS ROTO400	ROTO BALANCE WEIGHT		1
43	0302020201	ENTR. 18x8.2x40.5 Z	Spacer Ø18 x Ø8.2 x40.5		2
44	0302020192	ENTR. LEVIER EMBR ROTO	SPACER FOR CLUTCH LEVER ROTO		1
45	0301040001	CLAVETTE 4.76X4.76X 40 BTS DRO TOL h 9 - XC 48	KEY 4.76X4.76X40 DRO TOL h 9 - XC 48		1
46	0301030002	GOUPILLE BETA3	BETA PIN BETA 3 Z		1
47	0301010013	GOUPILLE CLIPS 8 x 36	CLIP PIN D8 x 36		2
48	0301000020	POIGNEE SERRAGE M12	HANDLEBAR TIGHTENING LEVER M12		1
49	0301000018	RIVET 5X8	RIVET 5X8		14
50	0301000017	CHARNIERE CC.423-ZB	HINGE CC.423-ZB		2
51	0300801205	BOUTON EM 15-530-74-M12	KNOB EM 15-530-74-M12		1
52	0300801001	BOUTON EM 15-540-50 M10 30	KNOB EM 15-540-50 M10 30		1
53	0300430601	RONDELLE CONTACT 6 BIC NFE 25-511	CONTACT WASHER 6		1
54	0300401202	RONDELLE PLATE M 12X32X2.5 Z	PLATE WASHER M 12X32X2.5 Z		1
55	0300401003	RONDELLE PLATE M 10X20X2 Z NFE 27611	Washer M 10x20x2z		2
56	0300400802	RONDELLE PLATE M 8X18X1.5 Z NFE 25513	PLATE WASHER M 8X18X1.5 Z NFE 25513		2
57	0300400301	RONDELLE PLATE 3.2x10x1 Z	Washer M 3.2x10x1 Z	GX, R180	1
58	0300260801	ECROU HM 8 ZEMB CR DIN 6923-8	NUT H M8 Z NOTCHED SHOULDER		9
59	0300230604	ECROU CAGE M6 C4806B	CAGE NUT M6 C4806B		3
60	0300211201	ECROU FREIN M 12 Z DIN 985/8	BLOCKING NUT M 12 Z		1
61	0300211001	ECROU FREIN M 10 Z DIN 985/8	BLOCKING NUT M 10 Z		3
62	0300210802	ECROU FREIN M 8 Z DIN 985/8	BLOCKING NUT HM 8 Z DIN 985/8		1
63	0300210603	ECROU FREIN EMB M6 Z DIN 985-8	BLOCKING NUT M 6 Z		2
64	0300210602	ECROU FREIN M 6 Z DIN 985-8	BLOCKING NUT M 6 Z		9
65	0300210501	ECROU FREIN M 5 Z DIN 985/8	Blocking nut M5 Z		6
66	0300201002	ECROU H.U. M 10 Z DIN 934	NUT HM 10Z		1
67	0300201001	ECROU H.U. M 10 BRUT DIN934 CL8.8	Nut HM 10 N		1
68	0300091004	VIS ALTRACS WN 5117 80x16 Z	SCREW ALTRACS WN 5117 80x16 Z		1
69	0300080614	VIS TRCC 6 X 35 Z Din603	SCREW TBCC M6X35 Z		4
70	0300080610	VIS TRCC 6 X 45/20 Z Din603	SCREW TRCC 6 X 45 Z		1
71	0300080602	VIS TOLE TCB POZI 6,3 X 13 Z	POZIDRIVE SCREW M6x13Z	GX	1
71	0300080404	VIS TOLE TCB 4.8X9.5 DIN 7981	SHEET SCREW TCB 4.8 X 9.5	EP	1
72	0300080501	VIS METAUX TCB POZI 5X10 Z DIN 7985	POZIDRIVE SCREW M5x10Z	R180,GX	2
72	0300010620	VIS HM6 X 10 Z EMB LISSE CL6.8 NOIR x TETON CYL NFE25019	SCREW HM6 X 10 Z CL6.8 SMTH SHOULD PILOT PNT NFE25019	EP	2
73	0300060504	VIS 5/16 TH24 UNF3/4(LG19)E EMBASE CRANTEE 18	Screw 5/16 TH24z lg.19 notched shoulder	EP, GX	2
73	0300010816	VIS H 8x20 Z EMB CR	SCREW H M8X20 Z NOTCHED SHOULDER CL 8.8	R180, 750SERIES	2
74	0300040801	VIS STHC 8 X 16 N BT POINTU DIN 914 45H	SCREW ST HC M8X16 DIN 914 45H		1
75	0300021004	VIS CHC M10x25 z	Screw CHC M10x25 z		2
76	0300020601	VIS CHC 6 X 16 Z DIN912 ISO4762	Screw CHC M6x16z		5
77	0300011222	VIS H M12x50 Z cl8.8 ISO 4014	SCREW HM 12x50z		1
78	0300011005	VIS H 10 X 45 Z DIN 933/6.8	SCREW H 10 X 45 Z DIN 933/6.8		2
79	0300011003	VIS H 10 X 35 FST Z NFEN 24017	SCREW HM 10X35Z FST		1
80	0300010842	VIS H 8x60 Z EMB CR DIN 6921 CL 6.8	SCREW H 8x60 Z DIN 6921 NOTCHED SHOULDER CL 6.8		5
81	0300010834	VIS H 8x35 Z EMB CR DIN 6921	SCREW H 8x35 Z DIN 6921 NOTCHED SHOULDER CL 6.8		4
82	0300010824	VIS HM 8x90 z FST	SCREW HM8x90z DIN 931		1
83	0300010816	VIS H 8x20 Z EMB CR	SCREW H M8X20 Z NOTCHED SHOULDER CL 8.8		1
84	0300010621	VIS H 6x35 Z EMB CR DIN 6921	SCREW H 6x35 Z DIN 6921		4
85	0300010609	VIS H 6x16 Z EMB CR DIN 6921	SCREW HM 6X16 Z NOTCHED SHOULD		2
86	0300010606	VIS H 6X60 Z CL 6.8 NFEN 24017	SCREW H 6 X 60 Z CL 6.8 NFEN 24017		1
87	0300010501	VIS H 5 X 12 Z DIN 933/6.8	SCREW H M5 X 12 Z DIN 933		6



Rep N°	Ref.	Désignation	Description	Qte
1	0002011101	CARTER G	T/M CASE LH	1
2	0002011102	CARTER D	T/M CASE RH	1
3	0300010846	VIS HM 8 X 30 EMB CR	SCREW HM8 X 30 NOTCHED SHOULDER	8
4	0300010837	VIS HM8 X 55 EMB CR	SCREW HM8 X 55 NOTCHED SHOULDER	8
5	0300260801	ECROU M8 EMB CR	NUT M8 NOTCHED SHOULDER	17
6	0002010203	BOUCHON DE VIDANGE	DRAIN PLUG	1
7	0002010354	BOUCHON	PLUG	1
8	0002010204	RONDELLE D'ETANCHEITE	SEAL WASHER	1
9	0002011103	TOLE RENFORT CARTER	COVER	2
10	0002011104	RESSORT	SPRING	1
11	0002011105	ARBRE 1	SHAFT 1	1
12	0002011106	PIGNON 15 DENTS	GEAR 15	1
13	0002010357	BAGUE BA2L 15X25X7	OIL SEAL	1
14	0306010009	ROULEMENT 6200	BEARING 6200	2
15	0306010038	ROULEMENT 6202	BEARING 6202	2
16	0002011107	ARBRE 2	SHAFT 2	1
17	0002011108	PIGNON 21-44 DENTS	GEAR 21-44	1
18	0002011109	PIGNON 15-44 DENTS	GEAR 15-44	1
19	0002011110	PIGNON 15 DENTS	GEAR 15	1
20	0002010191	RONDELLE 15x25x1	LINER B	1
21	0002010077	ROULEMENT A AIGUILLES 18X22X13	NEEDLE BEARING 18X22X13	2
22	0002011111	ARBRE 3	SHAFT 3	1
23	0002011112	PIGNON 15-44	GEAR 15-44	1
24	0306010060	ROULEMENT 6301	BEARING 6301	1
25	0002010330	ROULEMENT 6302	BEARING 6302	1
26	0306020046	CHAINE PAS 15.875 / 44 MAILLONS	CHAIN PITCH 15.875 / 44 LINKS	1
27	0002011113	ARBRE 4	SHAFT 4	1
28	0002011114	PIGNON 15 -23 DENTS	GEAR 15-23	1
29	0002010362	RONDELLE DE CALAGE	THRUST LINER	2
30	0002011115	ENTRETOISE	BUSHING	2
31	0002011116	ARBRE DE ROUES	FINAL SHAFT	1
32	0002011117	PIGNON 58 DENTS	GEAR 58	1
33	0301070007	CIRCLIPS EXTERIEUR 20	C RING Ø20	2
34	0002010227	CIRCLIPS Ø22 EXT	C RING Ø22	2
35	0306010026	ROULEMENT 6004	BEARING 6004	2
36	0002010333	JOINT D'ETANCHEITE	OIL SEAL	2
37	0002011118	ARBRE DE FRAISES	ROTARY SHAFT	1
38	0002010079	ROULEMENT 6005	BEARING 6005	2
39	0002010086	JOINT D'ETANCHEITE	OIL SEAL	2
40	0002011119	AXE DE VITESSES	SHIFTER	1
41	0002010002	BAGUE BA2L 12X22X7	OIL SEAL	1
42	0002010088	BAGUE BOUCHON 20X7	SEAL CAP	1
43	0002010300	PLAT	PLATE	1
44	0002010197	RESSORT	SPRING	1
45	0002010196	BILLE 1/4	BALL	1
46	0300090602	VIS M6X16 EMB CR DIN7500	SCREW M6X16 NOTCHED SHOULDER DIN7500	1
47	0301020014	GOUPILLE HBK 6x40 ISO 8748ST	COTTER-PIN 6X40 HBK	2
48	0002011120	LEVIER DE VITESSE	GEAR LEVER	1
49	0300201202	ECROU M12	NUT M12	4
50	3202000314	POTENCE DE GUIDON	HANDLE FRAME	1
51	0002010538	VIS M8X125	SCREW M8X125	1
52	0300601201	AXE DE SERRAGE GUIDON	HANDLEBAR CLAMPING AXIS	1
53	3202000301	CHASSIS MOTEUR	ENGINE FRAME	1
54	0300011023	VIS H M10x90	SCREW H M10x90	2
55	0300451001	RONDELLE GROWER 10	S.WASHER 10	2
56	0300261001	ECROU HM 10 ZEMB CR DIN 6923	NUT H M10 NOTCHED SHOULDER	2