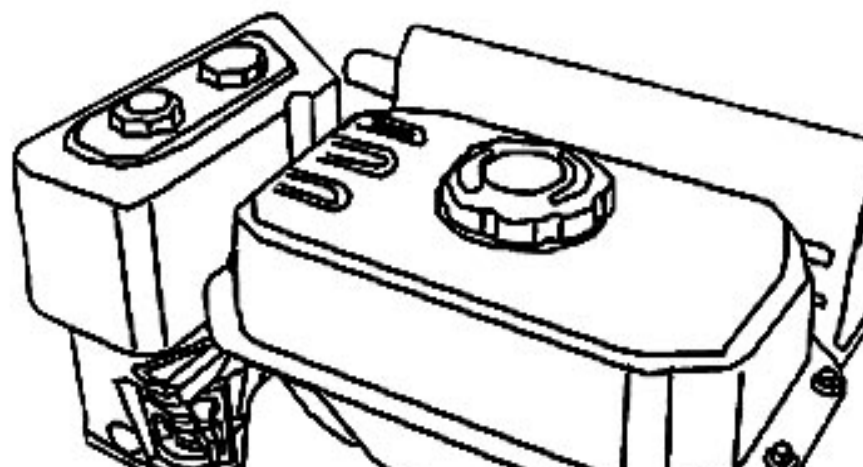




汽油机零部件图: DRAWING OF ENG

LC165F(D) LC170F(D)



零件目录使用说明(Instruction for use of parts catalogue)

本零件目录是根据2008年1月所能得到的最新资料编制而成的。

This parts catalogue was prepared based on the latest information available as of January 2008

请注意2008年1月以后本零部件目录的修订通知。

See the parts catalogue news for any revision that is made after January 2008

当订购零件时，一定要明确指出其零件编号。

Always specify the part number when ordering a part.

注意本零件目录所给出的图形可能与实际零件外形有所不同。

Note that the illustrations can differ from the actual parts in shape

当需要对零部件目录的内容进行更改或增加时，本公司将在适当的时间出版修订版，为保证在任何时候都可以使用到最新版本的零部件目录建议拥有最新的修订版本。如果要检查修订版本是否已经发行，请直接与LONCIN联系。

When modifications or additions to this parts catalogue are made, a revised edition will be issued at an appropriate time

We recommend obtaining such revisions in order to keep your parts catalogue up-to-date at all times. To check whether a parts catalogue revision has been issued, please contact your LONCIN distributor

示例 (Example)

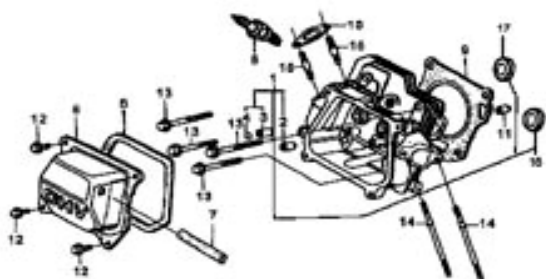
序号 No.	零部件图号 Part No.	零部件名称	Description	数量 (Reqd. QTY)		
				LC170F(D)		
10	103299-T000010	磁电机(飞轮)螺母	NUT , SPECIAL	1		
11	375100-T040000	转子部件(飞轮)	FLYWHEEL COMP	(1)		

LC170F(D)表示LC170F及LC170FD ; [LC170F(D) means LC170F and LC170FD]

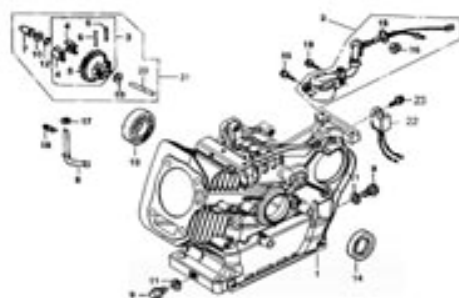
1 表示LC170F及LC170FD各1个 ; [1 means LC170F has 1 QTY and LC170FD has 1 QTY]

(1) 表示LC170F没有，LC170FD有1个。 [(1) means LC170F require 0 QTY and LC170FD require 1 QTY]

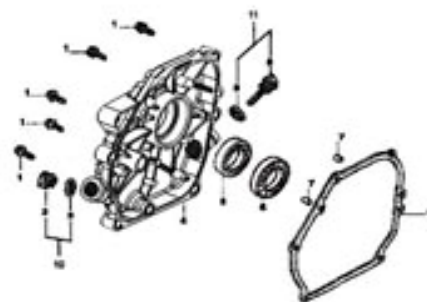
汽缸头 (CYLINDER HEAD)



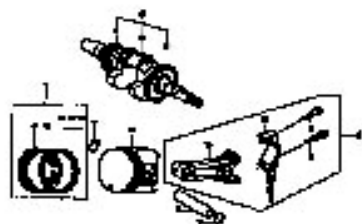
曲轴箱体 (CRANK CASE)



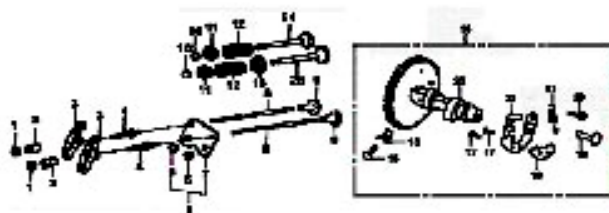
曲轴箱盖 (CRANK CASE COVER)



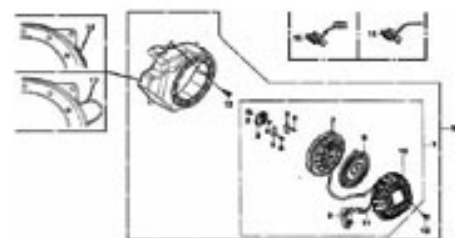
曲轴/活塞 (CRANKSHAFT/PISTON)



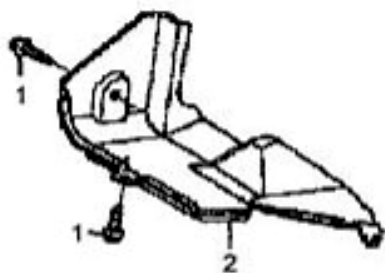
配气系统 (GAS DISTRIBUTION ADJUSTMENT)



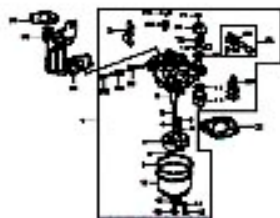
起动机组件 (STARTER SUBASSEMBLY)



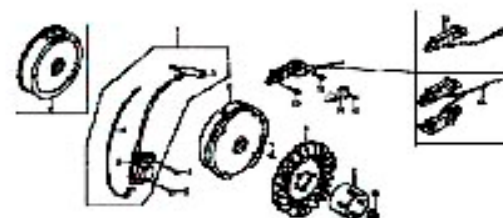
导风部件 (DIVERSION ASSY.)



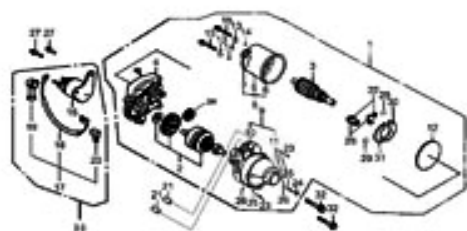
化油器 (CARBURETOR)



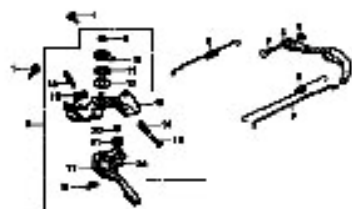
飞轮/点火线圈 (FLYWHEEL/COIL ASSY.)



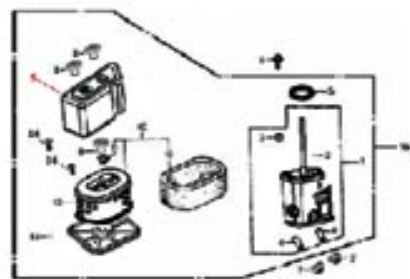
启动电机 (STARTER MOTOR)



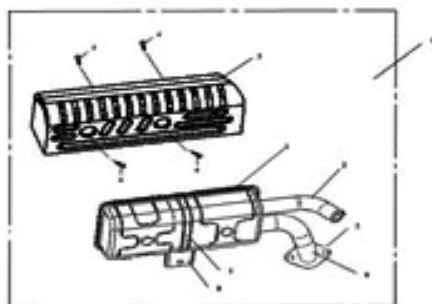
调速控制系统 (CONTROL SYSTEM)



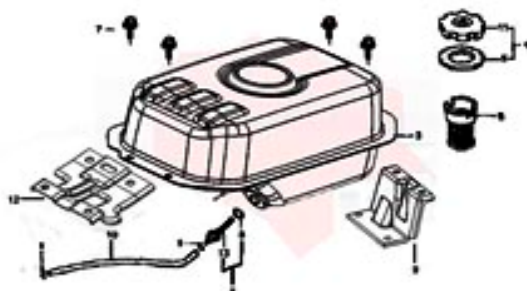
空滤器 (AIR CLEANER)

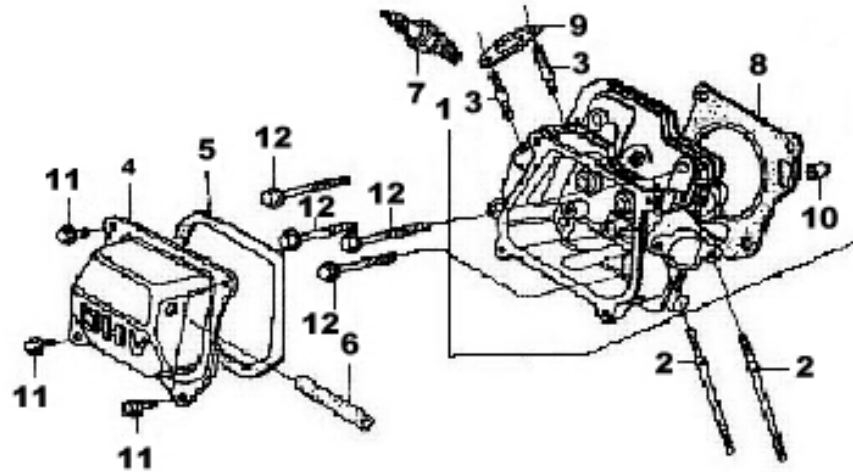


刹音器 (MUFFLER)



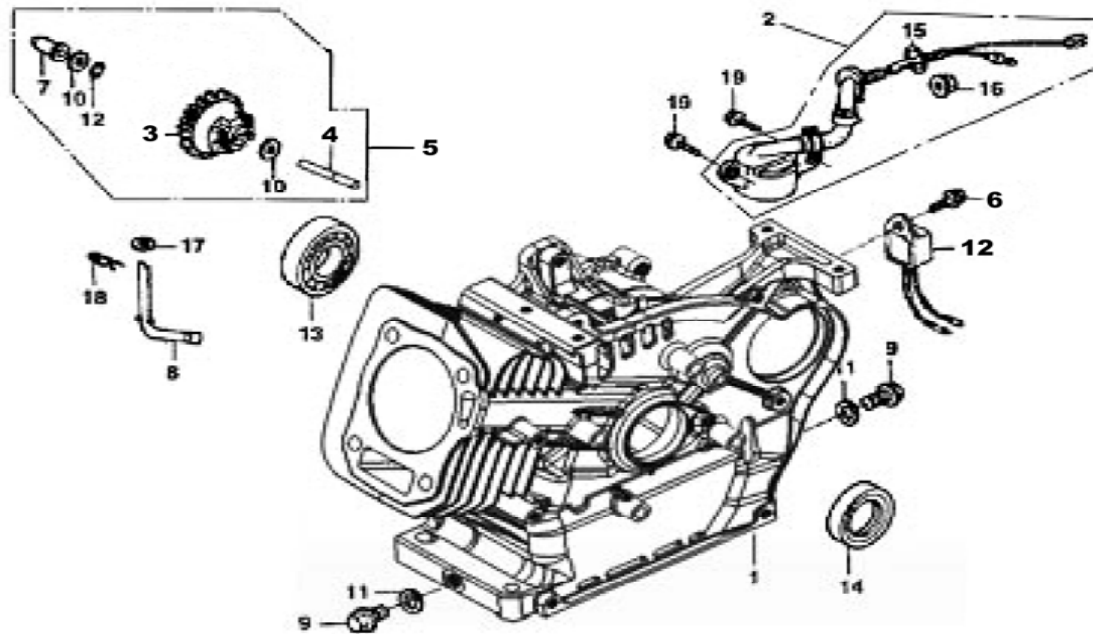
燃油箱 (FUEL TANK)





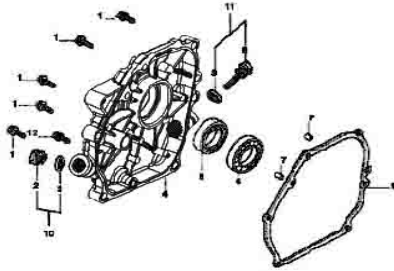
(CYLINDER HEAD)

No.	Part No.		Description	(Reqd. QTY)	
				LC165F(D)	LC170F(D)
1	120080333-T150		HEAD COMP ,CYLINDER	-	1
			HEAD COMP ,CYLINDER	1	-
2	380180089-T331		BOLT , STUD , IN.	2	2
3	380180098-T040		BOLT , STUD , EX.	2	2
4	120220008-T040	0001180001	COVER COMP ., HEAD	1	1
5	120250013-T040	0001180002	PACKING , HEAD COVER	1	1
6	380740471-T040		TUBE , BREATHER	1	1
7	270960025-T040		PLUG , SPARK	1	1
8	120150107-T150	0001180003	GASKET , CYLINDER	-	1
			GASKET , CYLINDER	1	-
9	180650063-T040	0001180004	GASKET , MUFFLER	1	1
10	380600117-T040		PIN , DOWEL	2	2
11	380140001-0006		BOLT , FLANGE , 6*12	4	4
12	380140338-T040		BOLT , FLANGE , 8*60	4	4



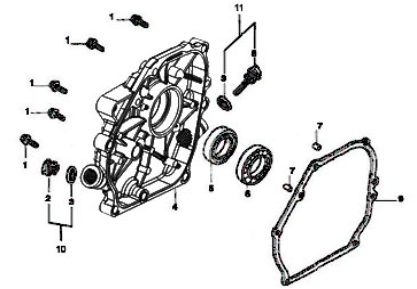
(CRANK CASE)

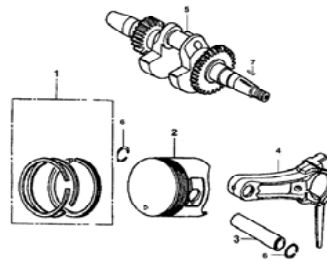
No.	Part No.	Description	(Reqd. QTY)	
			LC165F(D)	LC170F(D)
1	110810077-T150	CRANK CASE	-	1
		CRANK CASE	1	-
2	281850150-T040	OIL LEVEL SWITCH	1	1
3	171800001-T040	GOVERNOR GEAR ASSY.	1	1
4	171780001-T040	SHAFT , GOVERNOR	1	1
5	171750002-T040	GOVERNOR ASSY.	1	1
6	380140089-0003	BOLT , FLANGE , 6×8	1	1
7	171760001-T040	SLIDER , GOERNOR	1	1
8	171630001-T040	SHAFT , GOVERNOR ARM	1	1
9	110260025-T040	BOLT , DRAIN PLUG	2	2
10	380450540-T040	WASHER , PLAIN	2	2
11	380450006-T040	WASHER , DRAIN PLUG	2	2
12	281890001-T040	ALART UNIT ,OIL	1	1
13	380630137-0002	BEARING , RADIAL BALL	1	1
14	380650344-T040	0001180005 OIL SEAL 25×41.25×6	1	1



(CRANK CASE COVER)

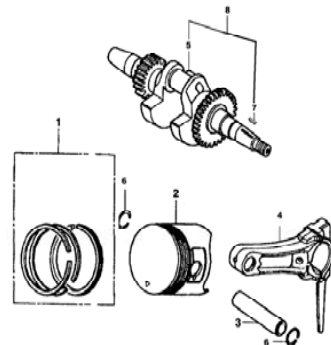
No.	Part No.	Description	(Reqd. QTY)	
			LC165F(D)	LC170F(D)
1	380140028-0004	BOLT_FLANGE	6	6
2	110700045-T040	OIL STICK	1	1
3	380840431-T040	PACKING_OIL FILLER	2	2
4	110820028-T150	CASE COVER	1	1
5	380650344-T040	OIL SEAL	1	1
6	380630137-0002	BEARING	1	1
7	380600120-T040	PIN_DOWEL	2	2
8	110700028-T040	OIL FILLER CAP	1	1
9	1108300181-T150	PACKING_CASE COVER	1	1
10	110690021-T040	OIL FILLER ASSY	1	1
11	110700028-T040	CAP ASSY	1	1
12	380140005-0006	BOLT_FLANGE	1	1
13				
14				
15				

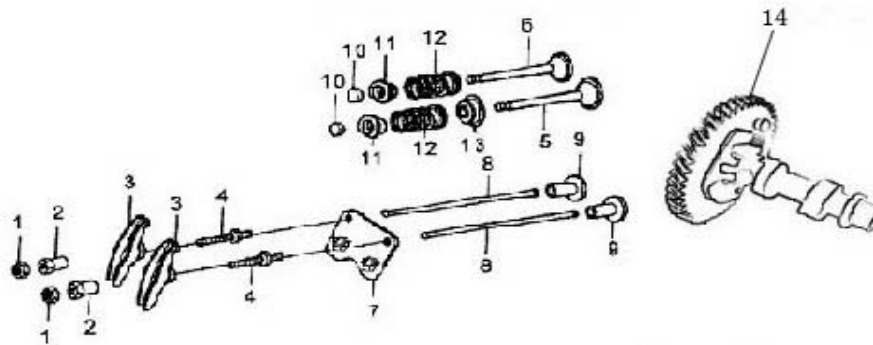




(CRANKSHAFT/PISTON)

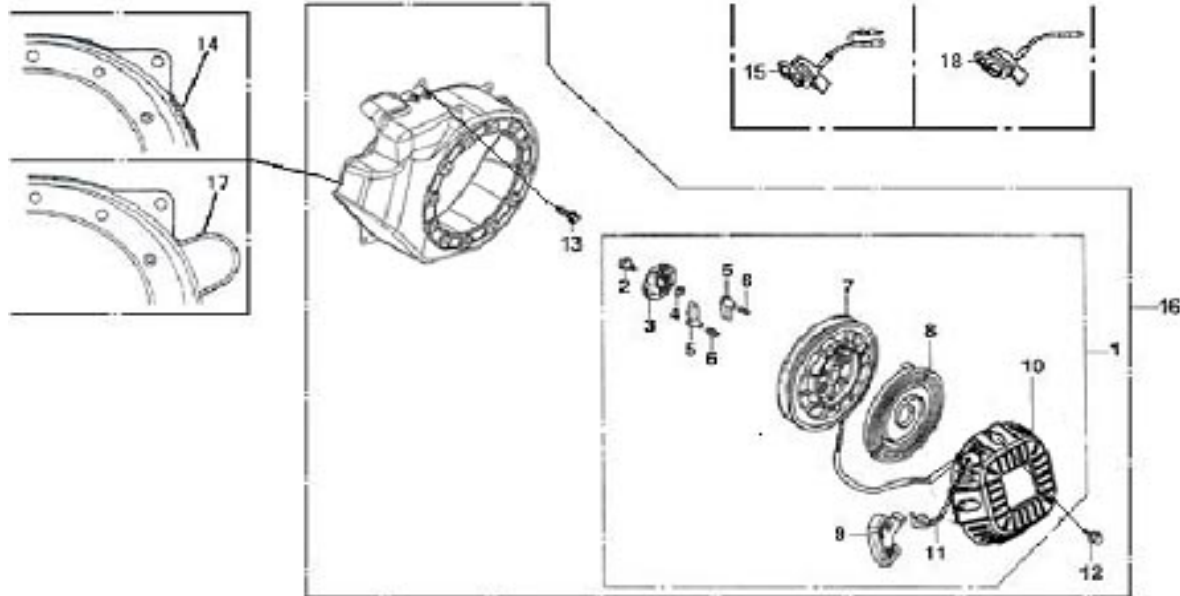
No.	Part No.		Description	(Reqd. QTY)	
				LC165F(D)	LC170F(D)
1	130070086-T350	0001180009	RING SET	-	1
			RING SET	1	-
2	130030124-T150	0001180010	PISTON	-	1
			PISTON	1	-
3	130060031-T040	0001180011	PIN, PISTON	-	1
			PIN, PISTON	1	-
4	130150054-T060	0001180012	ROD ASSY., CONNECTING	-	1
			ROD ASSY., CONNECTING	-	-
5	130290168-T150	0001180013	CRANKSHAFT COMP	-	1
			CRANKSHAFT COMP	1	-
6	130060031-T040	0001180014	CLIP, PISTON PIN	-	2
			CLIP, PISTON PIN	-	-
7	380620050-T040	0001180015	KEY	1	1





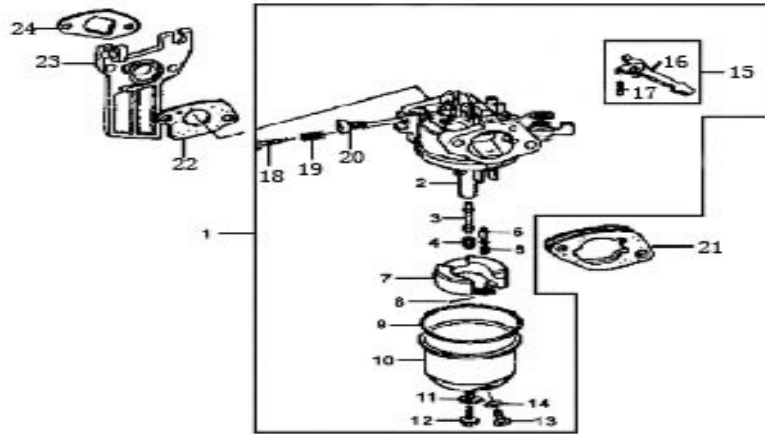
(GAS DISTRIBUTION ADJUSTMENT)

No.	Part No.	Description	(Reqd. QTY)	
			LC165F(D)	LC170F(D)
1		NUT , PIVOT ADJUSTING	2	2
2		PIVOT , ROCKER ARM	2	2
3		ARM , VALVE ROCKER	2	2
4		BOLT , PIVOT , ARM	2	2
5	140300040-T350	VALVE , IN.	1	1
6	140310040-T350	VALVE , EX.	2	2
7	140710001-T040	PLATE , PUSH ROD GUIDE	1	1
8	140670004-T040	ROD , PUSH	2	2
9	140690003-T050	LIFTER , VALVE	-	2
10	140320001-T040	RATATOR , VALVE	2	2
11	140380017-T040	RETAINER , VALVE SPRING	2	2
12	140340022-T040	SPRING , VALVE	2	2
13	140400016-T05k	SEAL , GUIDE	1	1
14	140020040-T050	0001180040 CAMSHAFT ASSY.	1	1



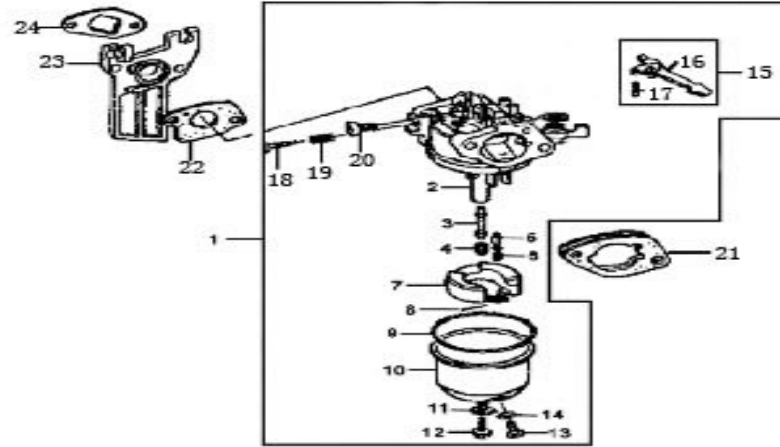
(STARTER SUBASSEMBLY)

No.	Part No.		Description	(Reqd. QTY)	
				G165F(D)	LC170F(D)
1	193490011-T040	0001180016	STARTER ASSY.	1	1
2	380020067-T040		SCREW , SETTING	1	1
3	193540003-T040		GUIDE , RATCHET	1	1
4	381150342-T040		SPRING , FRICTION	1	1
5	193540003-T040		RATCHET , STARTER	1	1
6	193670002-T040		SPRING , RETURN	2	2
7	193590005-T040		REEL , RECOIL STARTER	1	1
8	193340018-T040		SPRING , RECOIL STARTER	1	1
9	193540003-T040	0001180017	KNOB , RECOIL STARTER	1	1
10			COVER COMP ., FAN	1	1
11	193530004-T040		ROPE	1	1
12	380140089-0003		BOLT , FLANGE 6×8	4	4
13	380140001-0006		BOLT , FLANGE 6×12	4	4
14			COVER COMP ., FAN	1	1
15	271660027-T040		SWITCH ASSY., ENGINE STOP(OIL ALERT)	1	1



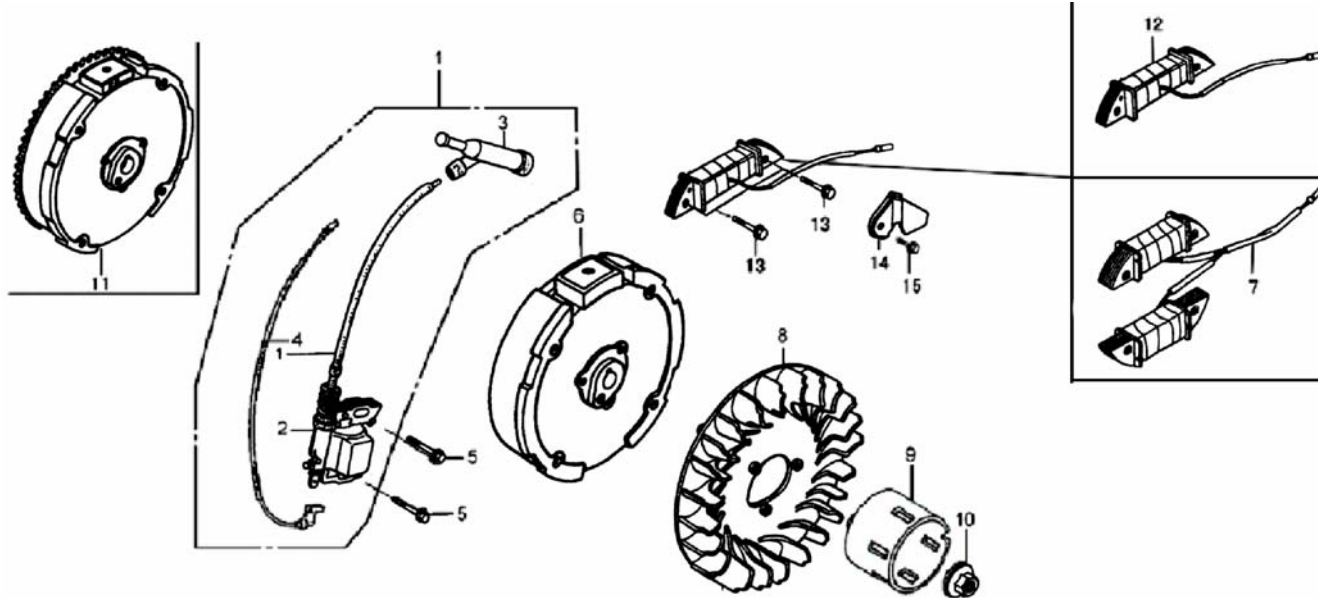
(CARBURETOR)

No.	Part No.		Description	(Reqd. QTY)	
				LC165F(D)	LC170F(D)
1	170020493-T150	0001180020	CARBURETOR	-	1
			CARBURETOR	1	-
2			CARBURETOR'S NOUMENON	-	1
			CARBURETOR'S NOUMENON	1	-
3			NOZZLE , MAIN	-	1
			NOZZLE , MAIN	1	-
4			JET , MAIN	-	1
			JET , MAIN	1	-
5	170180024-T040		VALVE , FLOAT	1	1
6	381150336-T040		SPRING , VALVE SET	1	1
7	170140027-T040		FLOAT	1	1
8	170290017-T040		PIN , FLOAT	1	1
9	380840455-T040		GASKET , OIL CUP	1	1
10	170250021-T040		OIL CUP	1	1
11	380450539-T040		GASKET , OIL CUP BOLT	1	1
12	380140353-T040		BOLT , OIL CUP	1	1



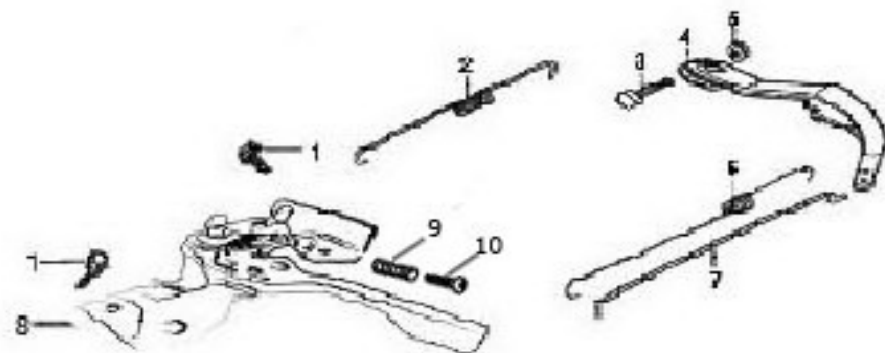
(CARBURETOR)

No.	Part No.		Description	(Reqd. QTY)	
				LC165F(D)	LC170F(D)
13	110260025-T040		DRAIN BOLT	1	1
14	380450577-T040		GASKET , DRAIN BOLT	1	1
15	170360007-T040		LEVER COMP.,CHOKE	1	1
16	170250021-T040		CHOKE LEVER	1	1
17	170380002-T040		SHAFT,LEVER COMP.	1	1
18	170030059-T040		SCREW	1	1
19	381150341-T040		SPRING , SCREW	1	1
20	170120023-T040		SCREW , THROTTLE STOP	1	1
21	170430065-T040	0001180021	SPACER COMP ., AIR CLEANER	1	1
22	170430042-T040	0001180022	PACKING ., CARBURETOR	1	1
23	170440038-T040	0001180023	INSULATOR , CARBURETOR	1	1
24	170430054-T040	0001180024	PACKING , INSULATOR	1	1
25					
26					
27					



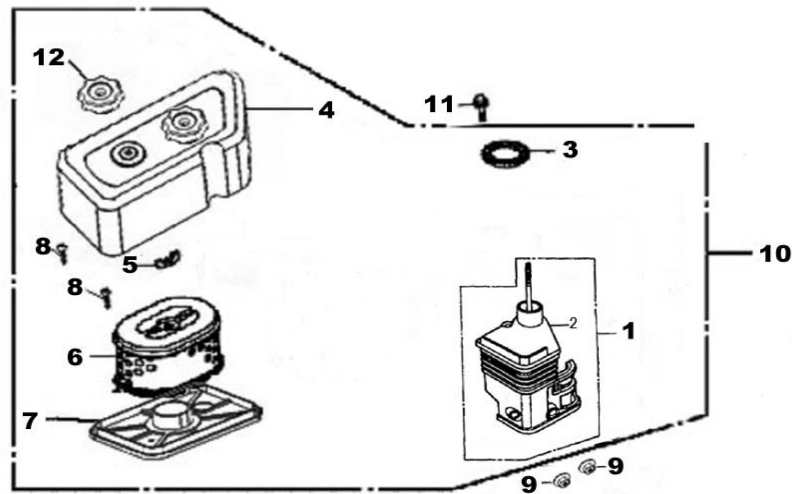
(FLYWHEEL/COIL ASSY.)

No.	Part No.		Description	(Reqd. QTY)	
				LC165F(D)	LC170F(D)
1	270920162-T040	0001180025	COIL ASSY . , IGNITION	1	1
2	270930029-T040		COIL , IGNITION	1	1
3	270950040-T040		CAP ASSY . , NOISE SUPPRESSOR	1	1
4	271670003-T040		CORD , STOP SWITCH	1	1
5	380140102-0004		BOLT , FLANGE , 6×25	2	2
6	270020139-T150	0001180026	FLYWHEEL COMP	1	1
7	270190002-T111		COIL ASSY . , CHARGE	(1)	(1)
8	160180015-T320	0001180027	FAN , COOLING	1	1
9	193590017-T150	0001180028	PULLEY , STARTER	1	1
10	380370051-T040	0001180029	NUT , SPECIAL	1	1
11			FLYWHEEL COMP	(1)	(1)
12	270190001-T111		COIL ASSY . , CHARGE	(1)	(1)
13	SB0635-0000000DL		BOLT , FLANGE , 6×28	2	2
14	270280006-T040		CLAMPER , CORD	(1)	(1)
15	380140089-0003		BOLT , FLANGE , 6×8	(1)	(1)



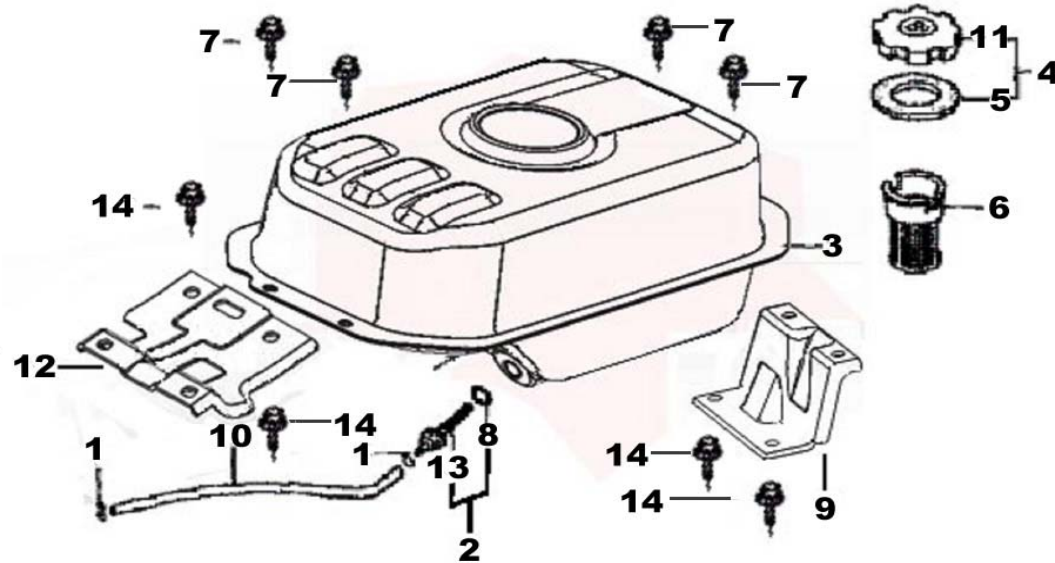
(CONTROL SYSTEM)

No.	Part No.		Description	(Reqd. QTY)	
				LC165F(D)	LC170F(D)
1	380140011-0004		BOLT, FLANGE	2	2
2	171600010-T040	0001180030	SPRING, GOVERNOR	1	1
3	380250002-T040		BOLT, QUADRATE HEAD	1	1
4	171620001-T040		ARM, GOVERNOR	1	1
5	380370048-0001		NUT, FLANGE	1	1
6	171610002-T040	0001180031	SPRING, THROTTLE RETURN	1	1
7	171590002-T040	0001180032	ROD, GOVERNOR	1	1
8	171680006-T040		CONTROL ASSY.	1	1
9	171660001-T040		SPRING	1	1
10			SCREW , M5×35	1	1



(AIR CLEANER)

No.	Part No.		Description	(Reqd. QTY)	
				LC165F(D)	LC170F(D)
1	-T0580		ELBOW COMP., AIR CLEANER	1	1
2	-T0580		ELBOW	1	1
3	380840431-T040	0001180033	PACKING , ELBOW	1	1
9	-T0580		COVER , AIR CLEANER	1	1
5			NUT , TOOL BOX SETTING	1	1
6	180130111-T040	0001180034	ELEMENT ASSY. , AIR CLEANER	1	1
7	180120065-T040		NOSE , SILENCER	1	1
8	380310015-T040		SCREW	2	2
9	380370048-0001		NUT , FLANGE , 6MM	2	2
10	180020336-T058	0001180035	AIR CLEANER ASSY	1	1
11	380140003-T040		BOLT , FLANGE , 6×20	1	1
12				1	1
				1	1



(FUEL TANK)

No.	Part No.		Description	(Reqd. QTY)	
				LC165F(D)	LC170F(D)
1			CLIP , TUBE	2	2
2	170660077-T040	0001180036	JOINT ASSY. , FUEL TANK	1	1
3	170500641-T150	0001180037	TANK COMP ., FUEL	1	1
4	170870039-T040	0001180038	CAP COMP ., FUEL FILLER	1	1
5	170880020-T040		PACKING , FUEL FILLER CAP	1	1
6	170720001-T040	0001180039	FILTER , FUEL	1	1
7	380140001-0006		BOLT , FLANGE , 6×12	4	4
8	380840506-T040		PACKING , JOINT	1	1
9	172840002-T150		HOLDER , FUEL TANK	1	1
10	380750180-T040		TUBE , FUEL	1	1
11	173340001-T040		CAP,FUEL FILLER	1	1
12	172840003-T150		HOLDER , FUEL TANK	1	1
13	170670011-T040		JOINT , FUEL TANK	1	1
14	380140102-0004		BOLT , FLANGE , 6×25	4	4