

Caiman Green Engine 300CC Snow Series

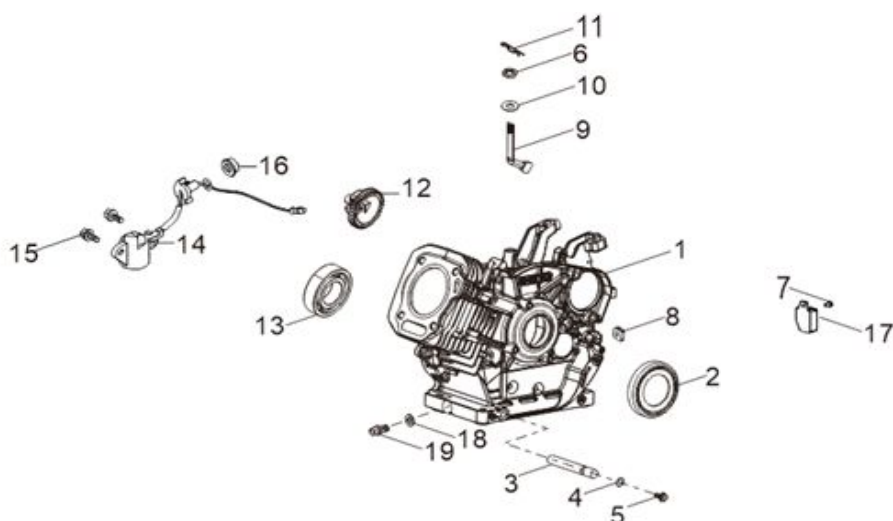


FIG.1 CRANKCASE. / GEAR ASSY, GOVERNOR			
NO	ART	NAME	QTY
E01-1	US300-00001	CRANKCASE SUBASSEMBLY.	1
E01-2	US340-00002	SEAL, OIL	1
E01-3	US300-00027	TUBE, OIL DRAIN	1
E01-4	US210-00042	FLAT WASHER - GRADE A	1
E01-5	US300-00028	BOLT, DRAIN PLUG	1
E01-6	UG930-00011	SEAL, OIL	1
E01-7	US300-00029	HEXAGON SOCKET FLANGE FACE BOLT - SMALL SERIES	1
E01-8	UG930-00004	PLUG, RUBBER	1
E01-9	UG930-00010	ARM, GOVERNOR	1
E01-10	UG930-00015	FLAT WASHER	1
E01-11	UG930-00012	COTTER PIN	1
E01-12	UG930-00024	GEAR ASSY, GOVERNOR	1
E01-13	UG930-00023	DEEP GROOVE BALL BEARING	1
E01-14	UG930-00003	SENSOR, ENGINE OIL	1
E01-15	US300-00030	BOLT	2
E01-16	US300-00031	HEXAGON NUT WITH FLANGE	1
E01-17	UG930-00005	PROTECTOR, OIL	1
E01-18	UG930-00007	FLAT WASHER	1
E01-19	US300-00032	BOLT, DRAIN PLUG	1

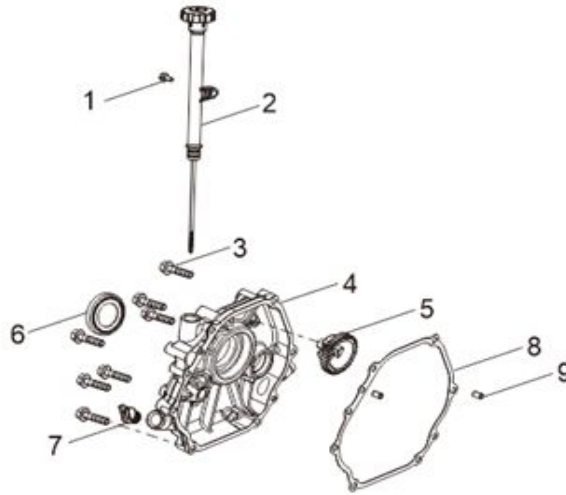


FIG.2 COVER SUBASSEMBLY, CRANKCASE			
NO	ART	NAME	QTY
E02-1	US300-00030	HEXAGON SOCKET FLANGE FACE BOLT - SMALL SERIES	1
E02-2	US340-00004	DIPSTICK SUBASSEMBLY, OIL	1
E02-3	US300-00034	HEXAGON SOCKET FLANGE FACE BOLT - SMALL SERIES	7
E02-4	US300-00035	COVER, CRANKCASE	1
E02-5	UG930-00024	GEAR ASSY, GOVERNOR	1
E02-6	US300-00036	SEAL, OIL	1
E02-7	US300-00002	PLUG SUBASSEMBLY, ENGINE OIL	1
E02-8	US340-00005	GASKET, CRANKCASE	1
E02-9	UG930-00021	POSITION PIN	2

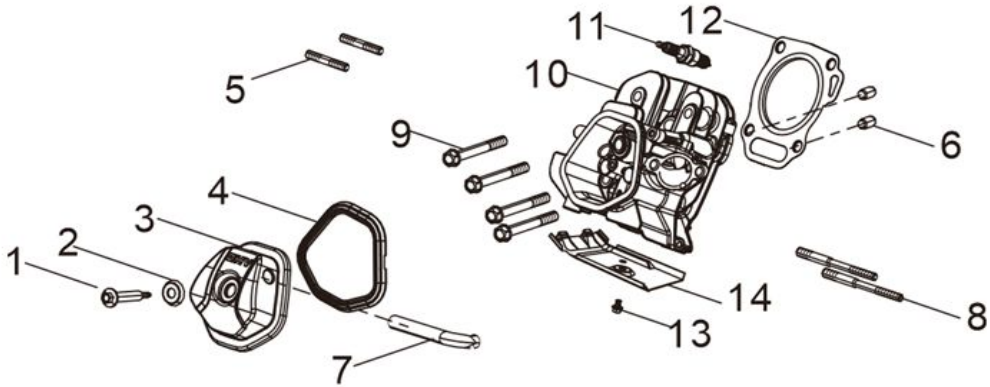


FIG.3 HEAD SUBASSEMBLY, CYLINDER / PLUG,SPARK			
NO	ART	NAME	QTY
E03-1	US300-00037	CYLINDER HEAD COVER BOLT	1
E03-2	UG390-00032	SCREW	1
E03-3	US300-00038	COVER SUBASSEMBLY, CYLINDER HEAD	1
E03-4	US340-00006	CYLINDER HEAD COVER GASKET	1
E03-5	US300-00039	STUD BOLT (BM=2D)	2
E03-6	UG390-00035	POSITION PIN	2
E03-7	US300-00040	TUBE, BREATHER	1
E03-8	US300-00041	STUD BOLT	2
E03-9	US300-00042	CYLINDER HEAD BOLT	4
E03-10	US300-00043	HEAD SUBASSEMBLY, CYLINDER	1
E03-11	UG390-00037	PLUG, SPARK	1
E03-12	US300-00003	GASKET, CYLINDER HEAD	1
E03-13	US300-00044	HEXAGON SOCKET FLANGE FACE BOLT - SMALL SERIES	1
E03-14	US300-00045	SHROUD, CYLINDER BODY	1

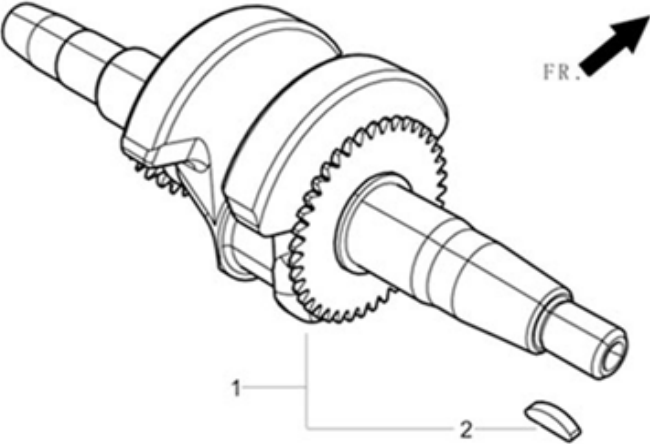


FIG.4 ROD,CRANKSHAFT CONNETING			
NO	ART	NAME	QTY
E04-1	US300-00004	CRANKSHAFT ASSY.	1

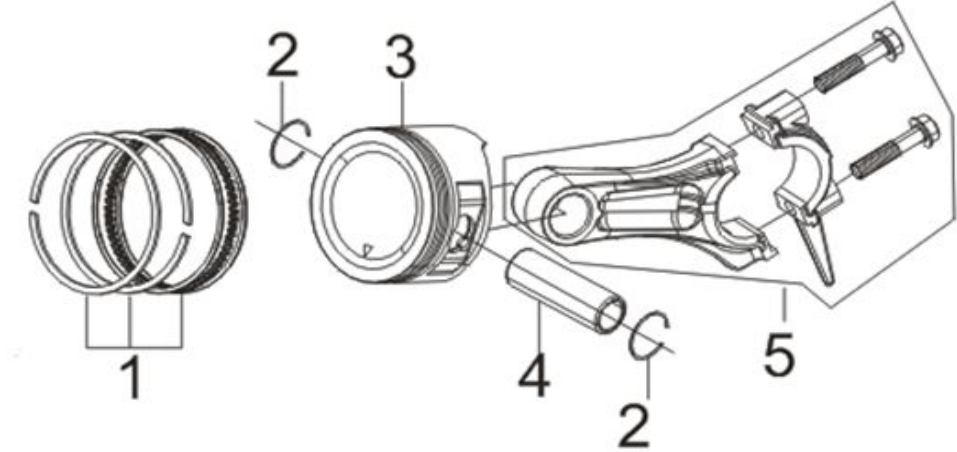


FIG.5 RING SET,OIL / ROD,CRANKSHAFT CONNETING			
NO	ART	NAME	QTY
E05-1	US300-00005	RING ASSY, PISTON	1
E05-2	UG390-00041	CLIP, PISTON PIN	2
E05-3	US300-00006	PISTON	1
E05-4	US300-00007	PIN, PISTON	1
E05-5	UG390-00044	ROD, CONNECTING	1

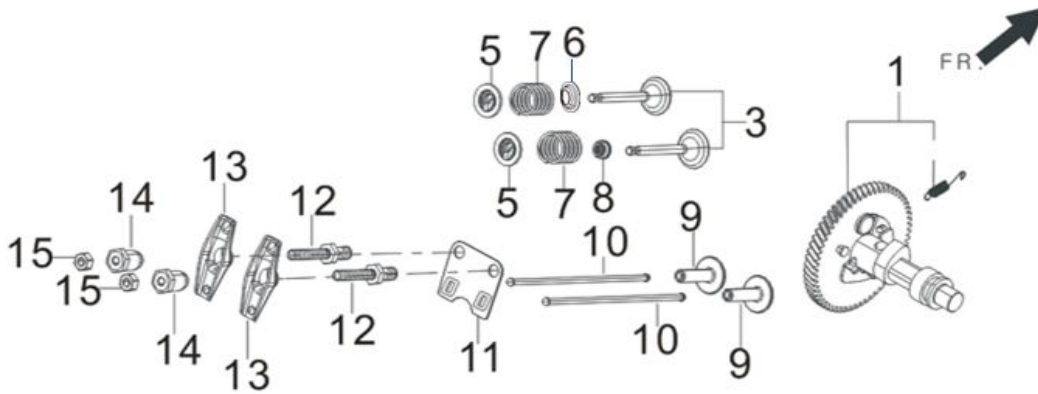


FIG.6 TRAIN,VALVE / CAMSHAFT SUBASSEMBLY			
NO	ART	NAME	QTY
E06-1	US300-00008	CAMSHAFT ASSY.	1
E06-3	US300-00009	VALVES SET	1
E06-5	UG390-00052	SEAT, VALVE SPRING	2
E06-6	UG390-00060	RETAINER, VALVE SPRING	1
E06-7	UG390-00048	SPRING, VALVE	2
E06-8	UG390-00051	GUIDE, SEAL	1
E06-9	UG390-00053	TAPPET, VALVE	2
E06-10	UG390-00054	LIFTER, VALVE	2
E06-11	UG390-00055	PLATE SUBASSEMBLY, LIFTER STOPPER	1
E06-12	UG390-00056	ROCKSHAFT BOLT	2
E06-13	UG390-00057	ROCKER, VALVE	2
E06-14	UG390-00058	NUT, VALVE ADJUSTING	2
E06-15	UG390-00059	NUT, VALVE LOCK	2



FIG.7 STARTER,RECOIL			
NO	ART	NAME	QTY
E07-1	US340-00013	STARTER ASSY, RECOIL	1
E07-2	US210-00073	HEXAGON SOCKET FLANGE FACE BOLT - SMALL SERIES	3

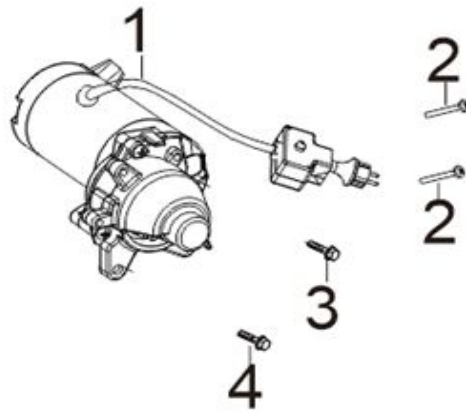


FIG.8 START-UP ELECTRIC MACHINE COMPONENTS			
NO	ART	NAME	QTY
E08-1	US340-00014	STARTING MOTOR ASSEMBLY	1
E08-2	US300-00046	CROSS-RECESSED PAN HEAD SCREW	2
E08-3	US300-00047	HEXAGON SOCKET FLANGE FACE BOLT - SMALL SERIES	1
E08-4	US300-00047	HEXAGON SOCKET FLANGE FACE BOLT - SMALL SERIES	1

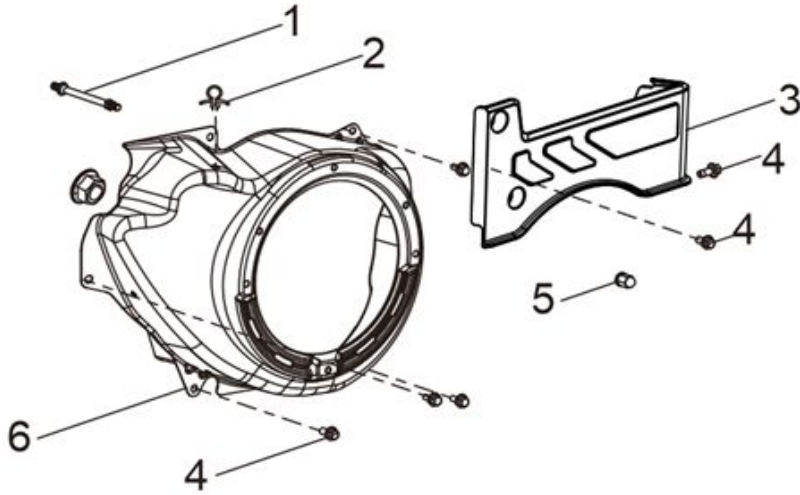


FIG.9 SHROUD / SHIELD,LOWER

NO	ART	NAME	QTY
E09-1	US210-00083	STUD BOLT (BM=2D)	1
E09-2	US300-00049	WIRE CLIP	1
E09-3	US300-00050	SHIELD,FUEL TANK	1
E09-4	US300-00051	SCREW	7
E09-5	US300-00052	ACORN HEXAGON NUTS	1
E09-6	US300-00053	SHROUD	1

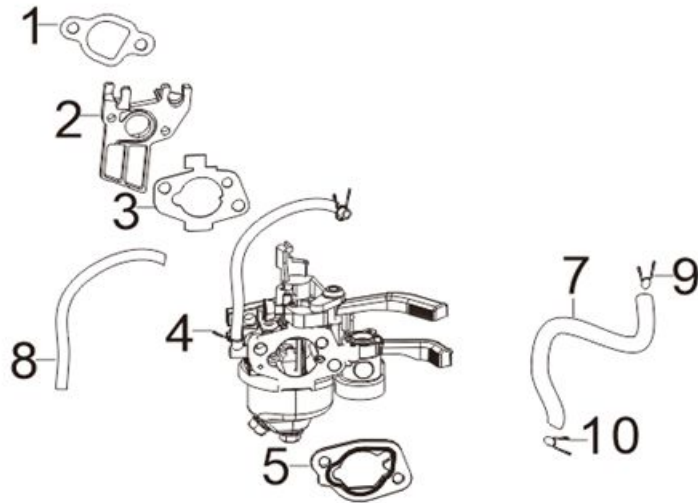


FIG.10 CARBURETOR ASSY.

NO	ART	NAME	QTY
E10-1	UG390-00072	GASKET, INLET	1
E10-2	US300-00054	PLATE, CARBURETOR INSULATOR	1
E10-3	US340-00016	CARBURETOR SEAL GASKET	1
E10-4	US300-00010	CARBURETOR ASSY.	1
E10-5	US340-00018	AIR CLEANER SEAL GASKET	1
E10-7	US300-00011	TUBE, FUEL	1
E10-8	US300-00012	STARTING RICHED VALVE TUBE PROTECTING BUSH	1
E10-9	US300-00055	PIPE CLAMP	1
E10-10	US210-00090	COLLAR	1

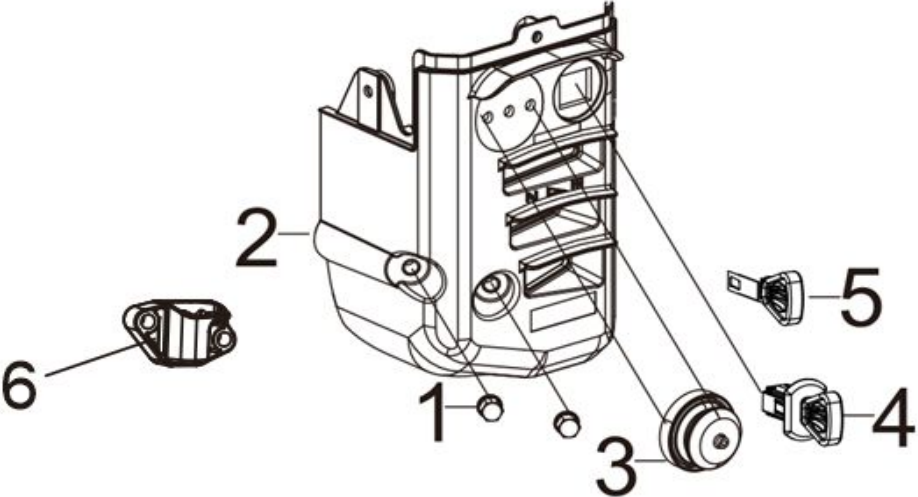


FIG.11 CLEANER, AIR

NO	ART	NAME	QTY
F01-1	US300-00052	ACORN HEXAGON NUTS	2
F01-2	US300-00057	PANEL SUBASSEMBLY, CONTROL	1
F01-3	US300-00013	VALVE, STARTING RICHED	1
F01-4	US300-00014	SWITCH SUBASSEMBLY, STOP ENGINE	1
F01-5	US300-00015	KEY, STOP ENGINE SWITCH	1
F01-6	US300-00016	OIL CUP	1

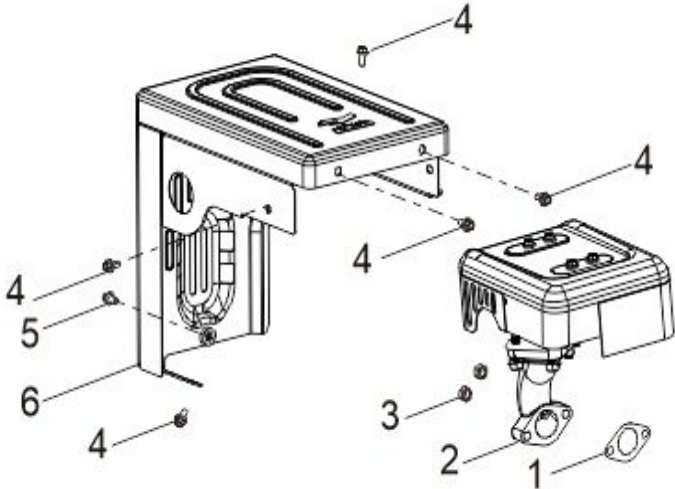


FIG.12 MUFFLER ASSY.			
NO	ART	NAME	QTY
F02-1	US300-00017	GASKET, EXHAUST OUTLET	1
F02-2	US300-00018	MUFFLER ASSY.	1
F02-3	US300-00058	LOCK NUT	2
F02-4	US300-00044	HEXAGON SOCKET FLANGE FACE BOLT - SMALL SERIES	5
F02-5	US300-00060	HEXAGON SOCKET FLANGE FACE BOLT - SMALL SERIES	1
F02-6	US300-00061	COVER, SCALD RESISTANT	1

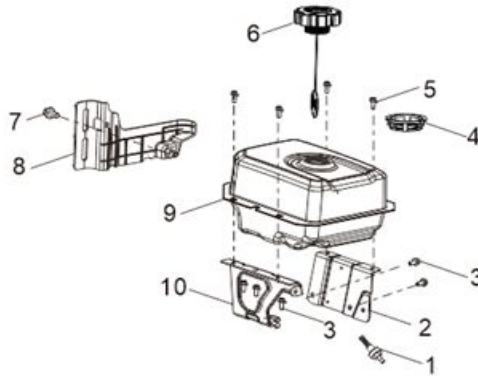


FIG.13 TANK ASSY, FUEL			
NO	ART	NAME	QTY
F03-1	US300-00021	OUTLET SUBASSEMBLY, FUEL TANK OIL	1
F03-2	US300-00062	FUEL TANK INSTALLATION REAR BRACKET	1
F03-3	US300-00060	HEXAGON SOCKET FLANGE FACE BOLT - SMALL SERIES	5
F03-4	US210-00117	FUEL GAUGE	1
F03-5	US300-00044	HEXAGON SOCKET FLANGE FACE BOLT - SMALL SERIES	4
F03-6	US210-00116	COVER, FUEL TANK	1
F03-7	US300-00065	HEXAGON SOCKET FLANGE FACE BOLT - SMALL SERIES	1
F03-8	US300-00066	FUEL TANK SHIELD 2	1
F03-9	US300-00022	FUEL TANK	1
F03-10	US300-00067	FRAME, FUEL TANK INSTALLTION	1

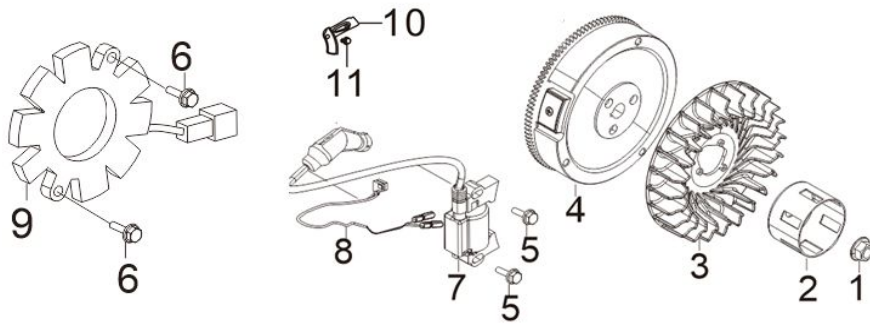


FIG.14 FLYWHEEL / IMPELLER / STARTER PULLEY / IGNITION			
NO	ART	NAME	QTY
E10-1	UG390-00073	NUT, FLYWHEEL	1
E10-2	UG390-00074	PULLEY,STARTER	1
E10-3	UG390-00075	IMPELLER	1
E10-4	US300-00068	FLYWHEEL SUBASSEMBLY	1
E10-5	US300-00069	HEXAGON SOCKET FLANGE FACE BOLT - SMALL SERIES	2
E10-6	US300-00069	HEXAGON SOCKET FLANGE FACE BOLT - SMALL SERIES	2
E10-7	US300-00023	COIL, IGNITION	1
E10-8	US300-00071	WIRE, IGNITION COIL STOP ENGINE	1
E10-9	US300-00024	CHARGE COIL	1
E10-10	US300-00072	CLAMP, CHARGE COIL	1
E10-11	US300-00029	BOLT	1

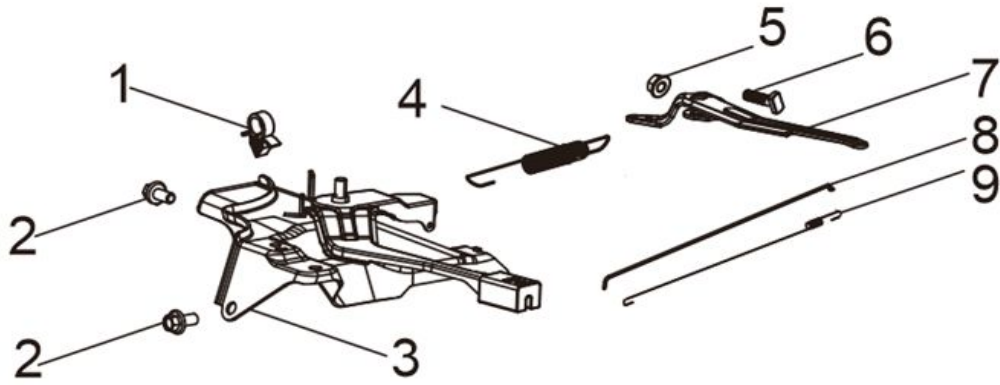


FIG.15 CONTROL ASSY, THROTTLE			
NO	ART	NAME	QTY
E11-1	UG390-00067	WIRE CLIP	1
E11-2	US300-00044	HEXAGON SOCKET FLANGE FACE BOLT - SMALL SERIES	2
E11-3	US300-00075	CONTROL ASSY, THROTTLE	1
E11-4	US300-00025	SPRING, GOVERNOR	1
E11-5	US300-00076	HEXAGON NUT WITH FLANGE	1
E11-6	US300-00077	BOLT, GOVERNOR SUPPORT	1
E11-7	US300-00078	GOVERNOR BRACKET SUBASSEMBLY	1
E11-8	US300-00026	ROD, GOVERNEOR	1
E11-9	UG390-00080	SPRING, THROTTLE VALVE RETURNING	1