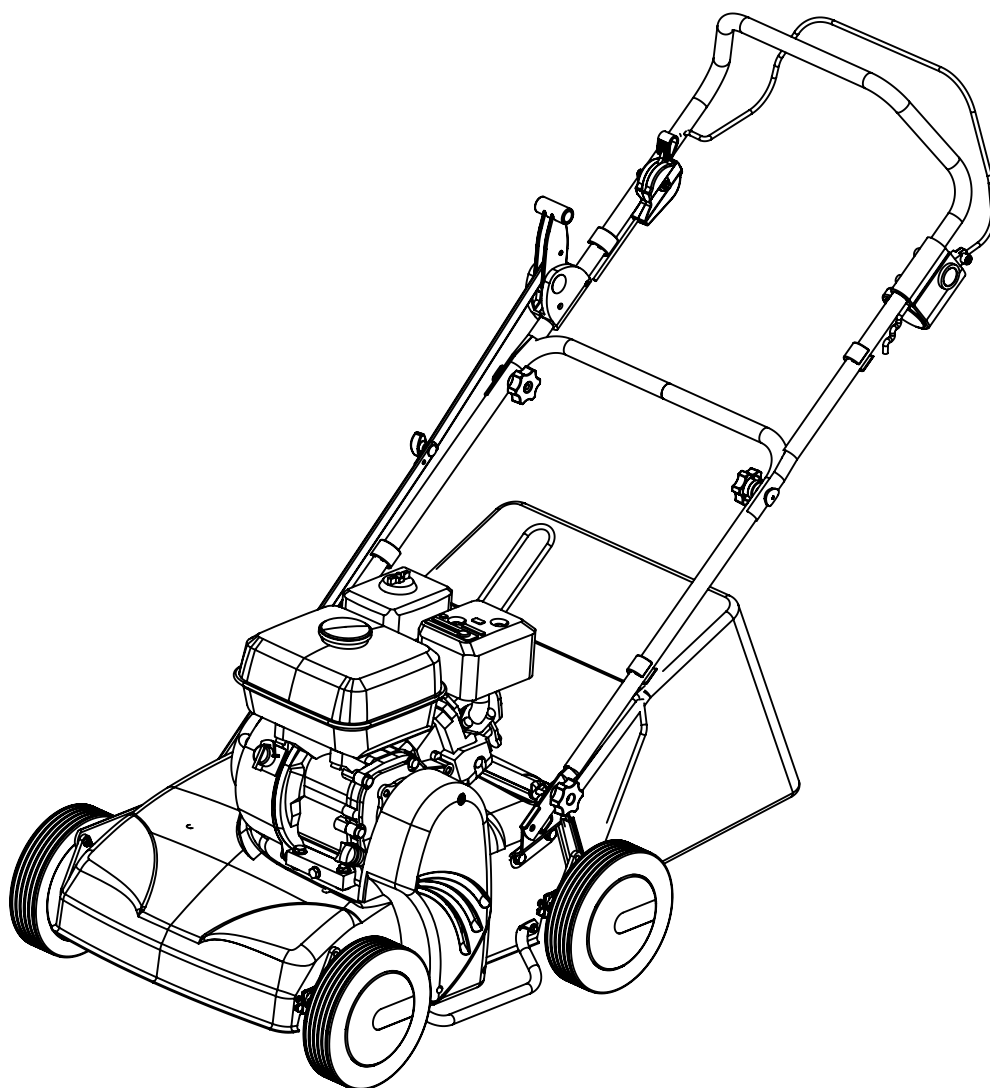


Pièces de rechange Spare parts list

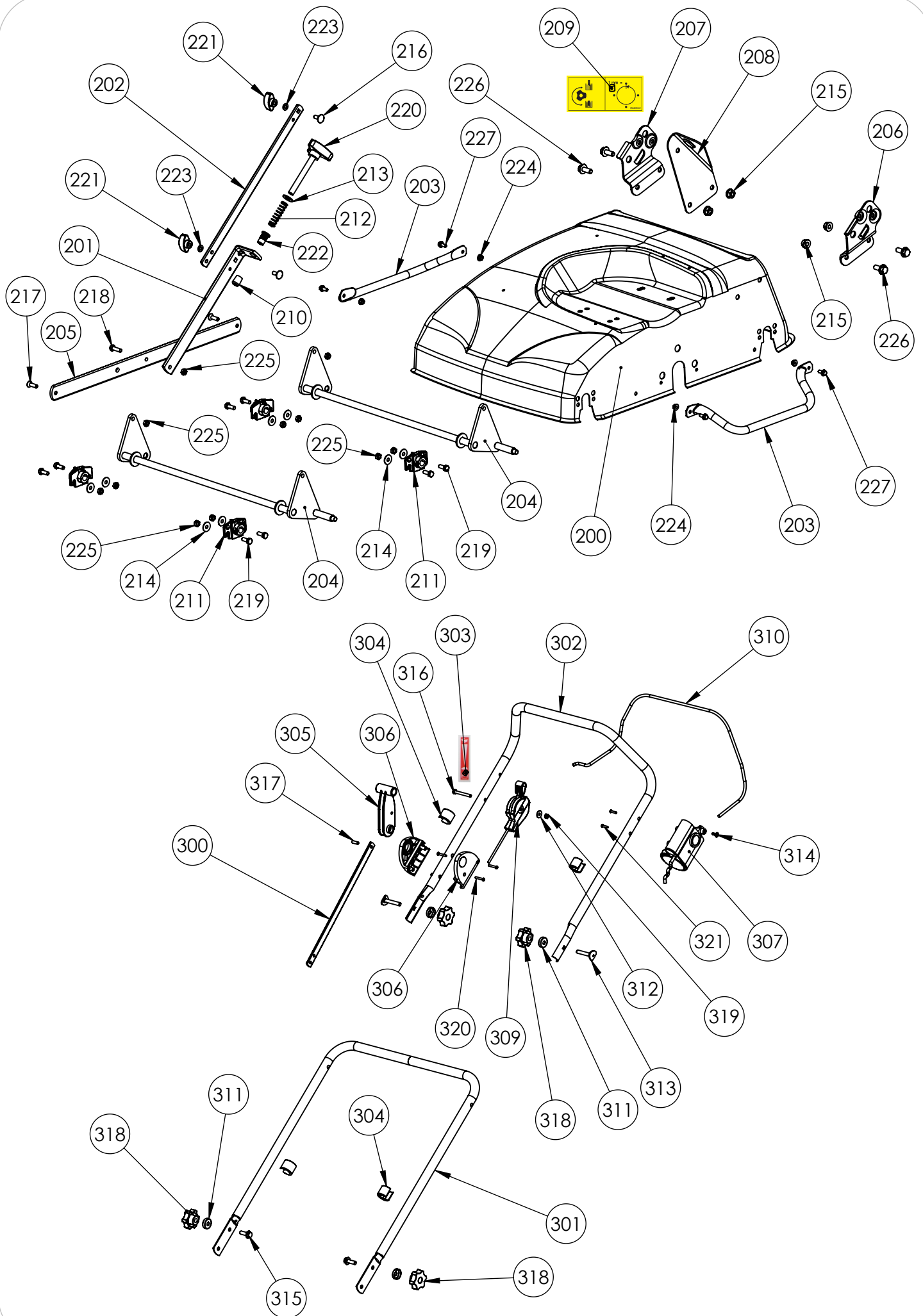
K10006****



*SCARIFICATEUR
SCARIFIER*

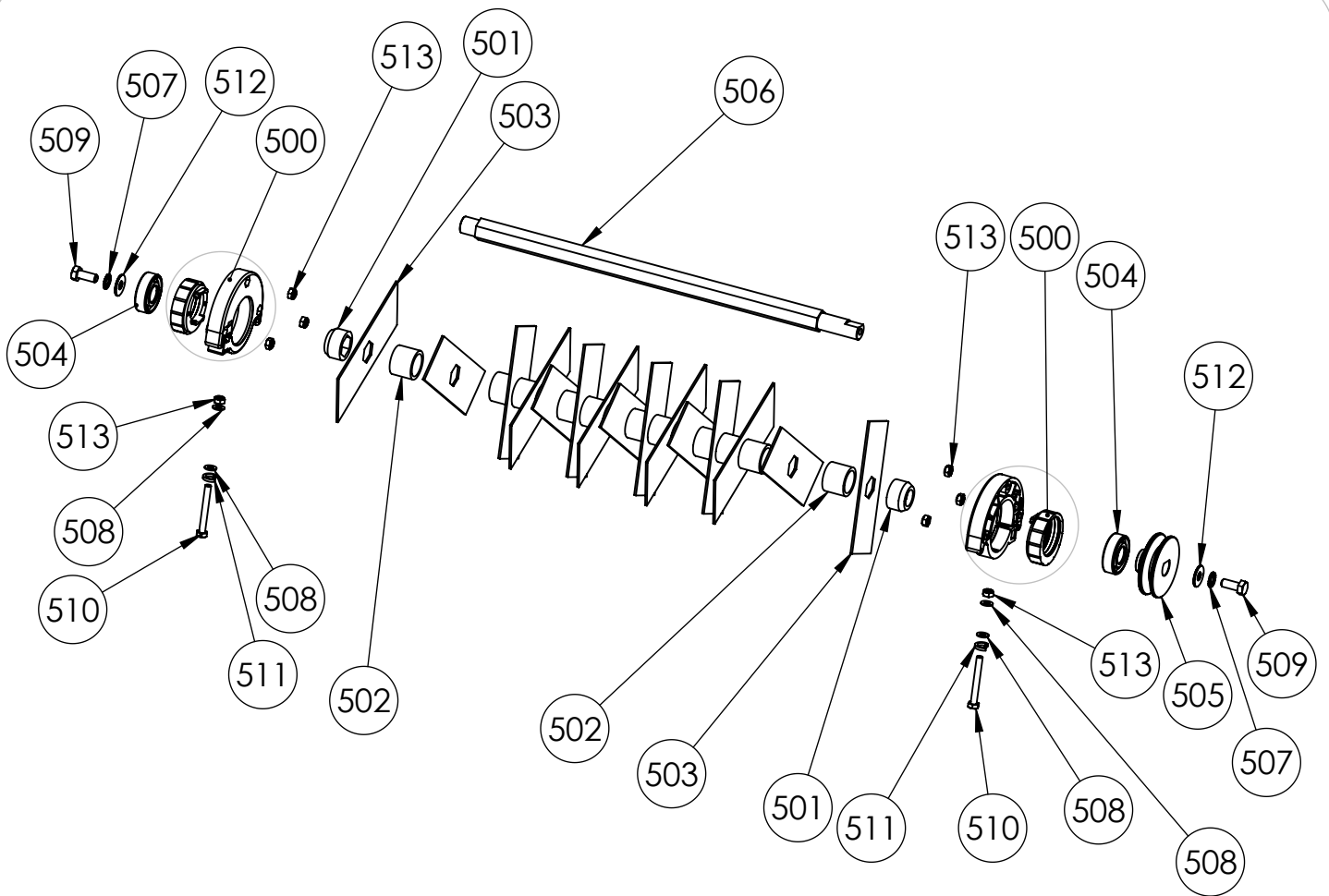
| Rep N° | Ref | Désignation | Description | B&S 550 /Qté | RATO 180 /Qté |
|--------|------------|-----------------------------------|--------------------------------|--------------|---------------|
| 1 | K503000071 | AUTOCOLLANT SECURITE | SAFETY STICKER | 1 | 1 |
| 2 | K341000030 | CAPUCHON PLASTIQUE Ø8 | CAP Ø8 | 3 | 3 |
| 3 | K340000086 | CAPOT COURROIE | BELT COVER | 1 | 1 |
| 4 | K340000084 | VOLET SCARIF 38 | FLAP SCARIF 38 | 1 | 1 |
| 5 | K320070006 | PANIER | GRASS BAG | 1 | 1 |
| 6 | K309000045 | ROUE Ø 200 | WHEEL Ø 200 | 4 | 4 |
| 7 | K309000017 | ENJOLIVEUR NOIR Ø133 | BLACK TRIM Ø133 | 4 | 4 |
| 7 | K309000034 | ENJOLIVEUR ROUGE Ø133 | RED TRIM Ø133 | 4 | 4 |
| 7 | K309000016 | ENJOLIVEUR BLANC Ø133 | WHITE TRIM Ø133 | 4 | 4 |
| 8 | K306030047 | COURROIE XPZ0637 | BELT XPZ0637 | 1 | 1 |
| 9 | K305010024 | RESSORT VOLET | SPRING FOR BACK SHUTTER | 1 | 1 |
| 10 | K305000056 | AXE VOLET | AXLE FOR BACK SHUTTER | 1 | 1 |
| 11 | K305000055 | ARMATURE PANIER | FRAME | 1 | 1 |
| 12 | K300440801 | RONDELLE AZ 8 | WASHER AZ 8 | 1 | 1 |
| 13 | K300400802 | RONDELLE PLATE 18 x 8 x 1.5 | WASHER 18 X 8 X 1.5 | 4 | 4 |
| 14 | K300400601 | RONDELLE PLATE 18 x 6.25 x 1.2 ZN | WASHER 18 X 6.25 X 1.2 ZN | 6 | 6 |
| 15 | K300200801 | ECROU HU M8 | NUT HU M8 | 4 | 4 |
| 16 | K300010613 | VIS TH 6 x 20 ZN | SCREW TH 6 x 20 | 6 | 6 |
| 17 | 0300460701 | RONDELLE GRIFFE Ø7 | CLAW WASHER Ø7 | 2 | 2 |
| 18 | 0300421202 | RONDELLE ELASTIQUE ONDULEE | WASHER WAVY | 4 | 4 |
| 19 | 0300411302 | RONDELLE SERRAGE 12X18X1 | SHIM 12X18X1 | 8 | 8 |
| 20 | 0300070301 | VIS TOLE 3.9 x 19 | SCREW 3.9 x 19 | 2 | 2 |
| 21 | 0300020809 | VIS CHC 8 X 60 Z DIN 912 8.8 | SCREW CHC 8 X 60 Z DIN 912 8.8 | - | 1 |
| 21 | 0300060514 | VIS UNF CHC 5/16 LONG.2"1/2 | SCREW UNF CHC 5/16 x 2"1/2 | 1 | - |

| Rep N° | Ref | Désignation | Description | B&S 550 /Qté | RATO 180 /Qté |
|--------|------------|-----------------------------------|--------------------------------|--------------|---------------|
| 100 | K340000094 | RONDELLE MOTEUR | WASHER MOTOR | 4 | 4 |
| 101 | K330020110 | BS 550 SERIES * | BS 550 SERIES * | 1 | - |
| 101 | 0330091004 | RATO R180-3BH OIL BATH | RATO R180-3BH OIL BATH | - | 1 |
| 102 | K302030106 | POULIE MOTEUR | PULLEY | 1 | 1 |
| 103 | K301040002 | CLAVETTE B.DROIT 4.76 x 4.76 x 37 | KEY 4.76 X 4.76 X 37 | 1 | 1 |
| 104 | K300440801 | RONDELLE AZ 8 | WASHER AZ 8 | 1 | 1 |
| 105 | K300260801 | ECROU H M8 EMB CR | NUT H M8 NOTCHED SHOULDER | 4 | 4 |
| 106 | K300040601 | VIS STHC 6 X 8 BOUT CUVETTE | SCREW STHC 6 X 8 | 1 | 1 |
| 107 | K300010831 | Vis HM 8x35 EMB CR | SCREW HM 8x35 notched shoulder | 4 | 4 |
| 108 | 0300400803 | RONDELLE LARGE M8 8x22x1.5 Z | FENDER WASHER 8x22x1.5 ZN | 1 | 1 |
| 109 | 0300060513 | VIS UNF 5/16 lg 63.5 | SCREW UNF 5/16 x 63.5 | 1 | 1 |



| Rep N° | Ref | Désignation | Description | Qté |
|--------|------------|-----------------------------------|-------------------------------|-----|
| 200 | KI02063601 | CARTER DB BLEU PANT301 | BLUE DECK PANT301 | 1 |
| 200 | KI02062601 | CARTER DB ORANGE RAL2004 | ORANGE DECK RAL2004 | 1 |
| 200 | KI02060901 | CARTER DB JAUNE RAL1021 | YELLOW DECK RAL 1021 | 1 |
| 200 | KI02060602 | CARTER DB ROUGE RAL 3002 | RED DECK RAL3002 | 1 |
| 201 | KI02061613 | BARRE DE RELEVAGE INF NOIRE | BLACK LOWER LIFTING BAR | 1 |
| 202 | KI02061612 | BARRE DE RELEVAG.INTER. NOIRE | BLACK MIDDLE LIFTING BAR | 1 |
| 203 | KI02061610 | TUBE PROTECTION LATERAL NOIR | BLACK SIDE PROTECTION | 2 |
| 204 | KI02061607 | ESSIEU NOIR | BLACK AXLE | 2 |
| 205 | KI02061606 | BARRE DE RELEVAGE ESSIEU NOIRE | BLACK LIFTING AXLE BAR | 1 |
| 206 | KI02061603 | SUPPORT DE GUIDON GAUCHE NOIR | BLACK LEFT HANDLEBAR SUPPORT | 1 |
| 207 | KI02061602 | SUPPORT DE GUIDON DROIT NOIR | BLACK RIGHT HANDLEBAR SUPPORT | 1 |
| 208 | KI02061601 | BUTEE REGLAGE HAUTEUR NOIR | BLACK STOP HEIGHT ADJUSTEMENT | 1 |
| 209 | K503000069 | AUTOCOLLANT REGLAGE HAUTEUR | HEIGHT SETTING STICKER | 1 |
| 210 | K341000006 | EMBOU ROND ENVELOPPANT | PLASTIC CAP | 1 |
| 211 | K340000081 | PALIER ESSIEU | BEARING AXLE | 4 |
| 212 | K305020012 | RESSORT MOLETTE REGLAG.HAUTEUR | HEIGHT ADJUST SPRING | 1 |
| 213 | K300401004 | RONDELLE PLATE 10 x 20 x 2 ZN | PLATE WASHER 10 x 20 x 2 | 1 |
| 214 | K300400601 | RONDELLE PLATE 18 x 6.25 x 1.2 ZN | WASHER 18 X 6.25 X 1.2 ZN | 8 |
| 215 | K300260801 | ECROU H M8 EMB CR | NUT H M8 NOTCHED SHOULDER | 4 |
| 216 | K300080601 | VIS TRCC 6 x 16 | SCREW TRCC 6 x 16 | 2 |
| 217 | K300030604 | VIS TF HC M6 x 20 10.9 | SCREW TF HC M6 x 20 10.9 | 2 |
| 218 | K300010613 | VIS TH 6 x 20 ZN | SCREW TH 6 x 20 | 1 |
| 219 | K300010605 | VIS H M6 x 16 ZN | SCREW HM 6 x 16 | 8 |
| 220 | 0300801002 | MOLETTE REGLAGE HAUT. M10 x 82 | HEIGHT LEVEL ADJUSTEMENT M10 | 1 |
| 221 | 0300800601 | MOLETTE DE SERRAGE M6 | KNOB M6 | 2 |
| 222 | 0300601002 | ECROU A SERTIR M10 | INSERT M10 | 1 |
| 223 | 0300440601 | RONDELLE EVENTAIL 6 Z | TOOTH LOCKWASHER 6Z | 2 |
| 224 | 0300260501 | ECROU HM 5 ZEMB CR DIN 6923-8 | NUT H M5 Z NOTCHED SHOULDER | 4 |
| 225 | 0300210602 | ECROU FREIN M 6 Z DIN 985-8 | BLOCKING NUT M 6 Z | 11 |
| 226 | 0300010816 | VIS H 8x20 Z EMB CR | SCREW H M8X20 Z | 4 |
| 227 | 0300010505 | VIS H 5 x 12 EMB CR | SCREW H NOTCHED SHOULDER 5x12 | 4 |

| Rep N° | Ref | Désignation | Description | B&S 550 /Qté | RATO 180 /Qté |
|--------|-------------|--|--|--------------|---------------|
| 300 | KI02061611 | BARRE RELEVAGE SUPERIEUR NOIR | BLACK SUPERIOR LIFTING BAR | 1 | 1 |
| 301 | KI02061609 | GUIDON INFERIEUR NOIR | BLACK LOWER HANDLE | 1 | 1 |
| 302 | KI02061608 | GUIDON SUPERIEUR NOIR | BLACK UPPER HANDLE | 1 | 1 |
| 303 | K503000037- | ETIQU. GAZ (SS STOP SS START) | STICKER THROTTLE | - | 1 |
| 303 | K503000031- | AUTOCOLLANT ACCELERATEUR STOP SANS STARTER | STICKER "ENGINE SPEED VARIATION" WITHOUT STARTER | 1 | - |
| 304 | K340000092 | ACCROCHE FIL Ø22 | CLAMP CABLE Ø22 | 4 | 4 |
| 305 | K340000083 | POIGNEE RELEVAGE HAUTEUR | HANDLE LIFT HEIGHT | 1 | 1 |
| 306 | K340000082 | SUPPORT POIGNEE RELEVAGE | LEVEL SUPPORT | 2 | 2 |
| 307 | K308060027 | HOMME MORT + CABLE B&S | DEADMAN LEVER B&S | 1 | - |
| 308 | K308060026 | HOMME MORT + CABLE | DEADMAN LEVER | - | 1 |
| 309 | K308040029 | CABLE GAZ + MANETTE | THROTTLE + HANDLE | 1 | 1 |
| 310 | K305000057 | FIL HOMME MORT ROUGE | RED WIRE | 1 | 1 |
| 311 | K300410802 | RONDELLE MOLETTE GUIDON | RING WHEEL HANDLEBAR | 4 | 4 |
| 312 | K300400601 | RONDELLE PLATE 18 x 6.25 x 1.2 ZN | WASHER 18 X 6.25 X 1.2 ZN | 1 | 1 |
| 313 | K300090803 | VIS TP PLI22 M8 X 50/27 ZN | SCREW TP PLI22 M8 X 50/27 ZN | 2 | 2 |
| 314 | K300080401 | VIS TOLE TCB EMB CR 4.2 X 16 | SCREW POZI 4.2X16Z | 1 | 1 |
| 315 | K300010801 | VIS H EMB CR 8 x 25 | SCREW H NOTCHED SHOULDER 8 X 25 | 2 | 2 |
| 316 | K300010608 | VIS TH 6 x 50 ZN ISO 4017 | SCREW TH 6 x 50 | 1 | 1 |
| 317 | 0301090008 | GOUPILLE ELASTIQUE 6 x 18 | COTTER PIN 6 x 18 | 1 | 1 |
| 318 | 0300800803 | MOLETTE AVEC ECROU M8 | HANDLE WITH NUT M8 | 4 | 4 |
| 319 | 0300210602 | ECROU FREIN M 6 Z DIN 985-8 | BLOCKING NUT M 6 Z | 1 | 1 |
| 320 | 0300090407 | VIS TBC PLASTIQUE 4 x 25 | SCREW TBC PLASTIC 4 x 25 | 4 | 4 |
| 321 | 0300070301 | VIS TOLE 3.9 x 19 | SCREW 3.9 x 19 | 2 | 2 |



| Rep N° | Ref | Désignation | Description | Qté |
|--------|------------|--------------------------------|---------------------------|-----|
| 500 | KZ01080001 | SUPPORT + EXCENTRIQUE ROTOR | BUSHING + BEARING HOUSING | 2 |
| 501 | K340000078 | ENTRETOISE HEXAGONALE ROTOR | HEXAGONAL ROTOR SPACER | 2 |
| 502 | K340000077 | ENTRETOISE ROTOR | SPACER ROTOR | 14 |
| 503 | K320020029 | COUTEAUX | KNIVES | 15 |
| 504 | K306010019 | ROULEMENT 6203 2 RS | BEARING 6203 2 RS | 2 |
| 505 | K302030107 | POULIE ROTOR | PULLEY | 1 |
| 506 | K302010095 | ARBRE ROTOR | ROTOR AXLE | 1 |
| 507 | K300440801 | RONDELLE AZ 8 | WASHER AZ 8 | 2 |
| 508 | K300400603 | RONDELLE PLATE 6 x 12 x 1.2 ZN | WASHER 6 x 12 x 1.2 ZN | 4 |
| 509 | K300010815 | VIS H M8 x 20 ZN | SCREW HM 8 x 20 | 2 |
| 510 | K300010608 | VIS TH 6 x 50 ZN ISO 4017 | SCREW TH 6 x 50 | 2 |
| 511 | 0300450601 | Rondelle Grower M6 | Washer Grower M6 | 2 |
| 512 | 0300400803 | RONDELLE LARGE M8 8x22x1.5 Z | FENDER WASHER 8x22x1.5 ZN | 2 |
| 513 | 0300210602 | ECROU FREIN M 6 Z DIN 985-8 | BLOCKING NUT M 6 Z | 8 |