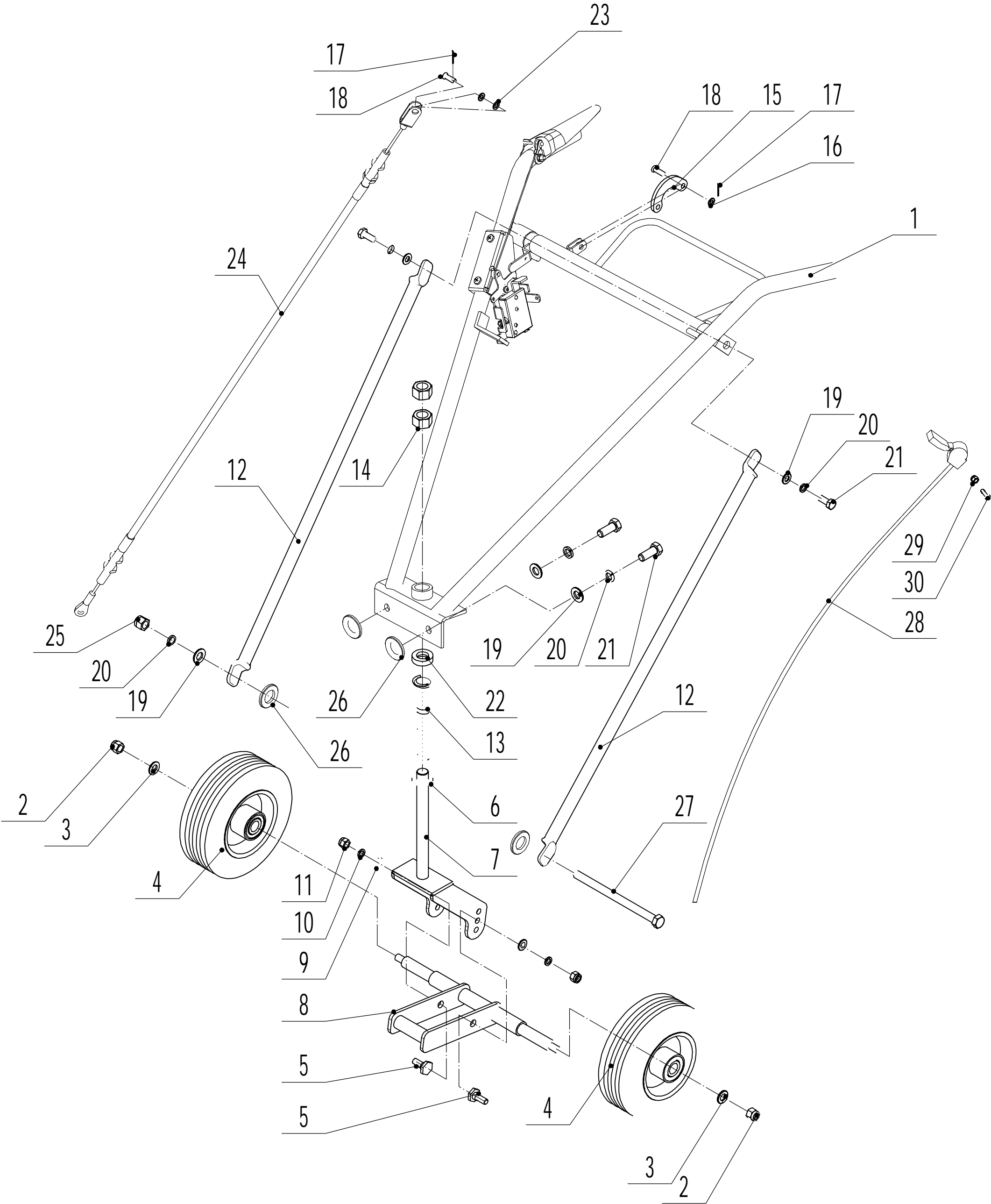
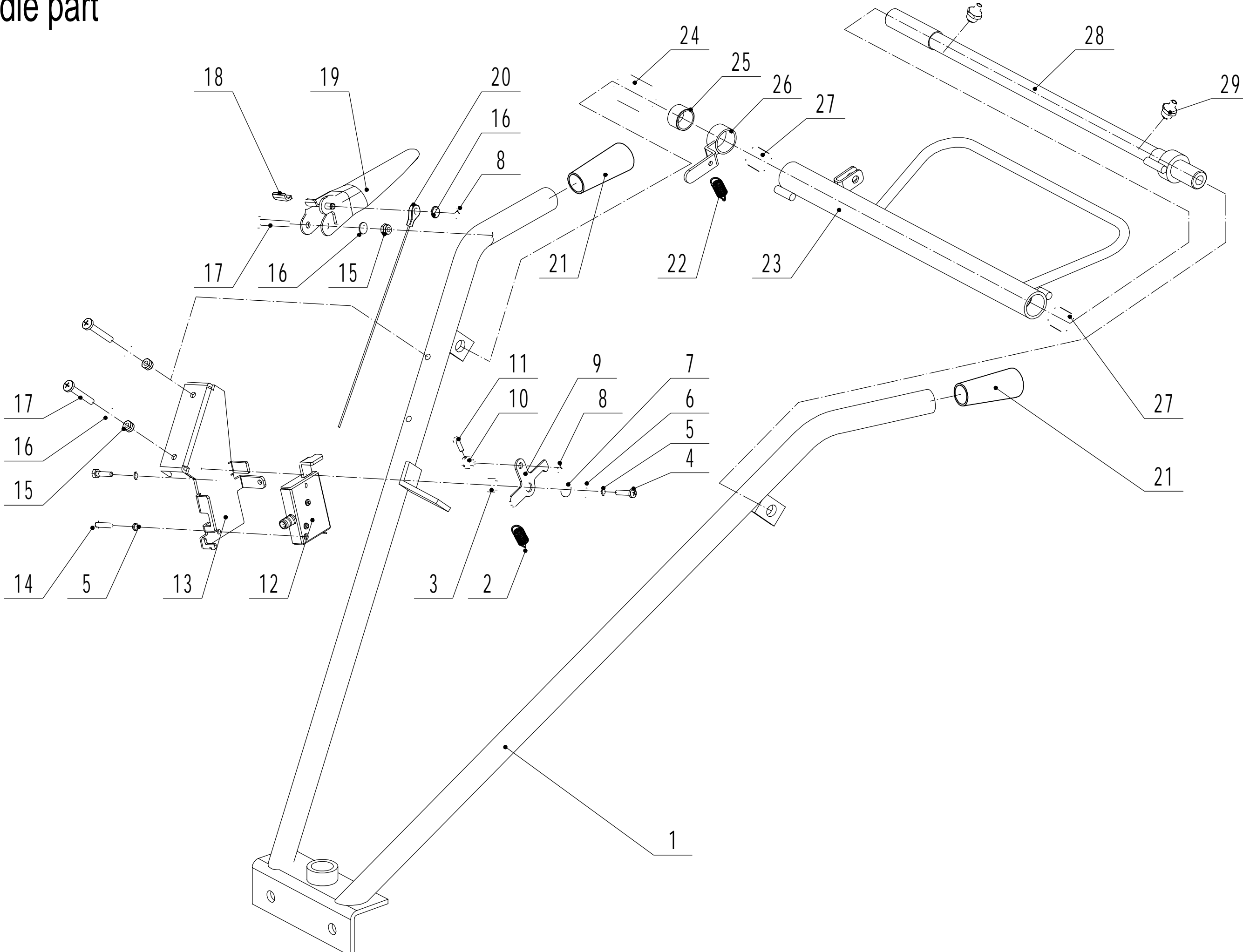


1 Handle and controls



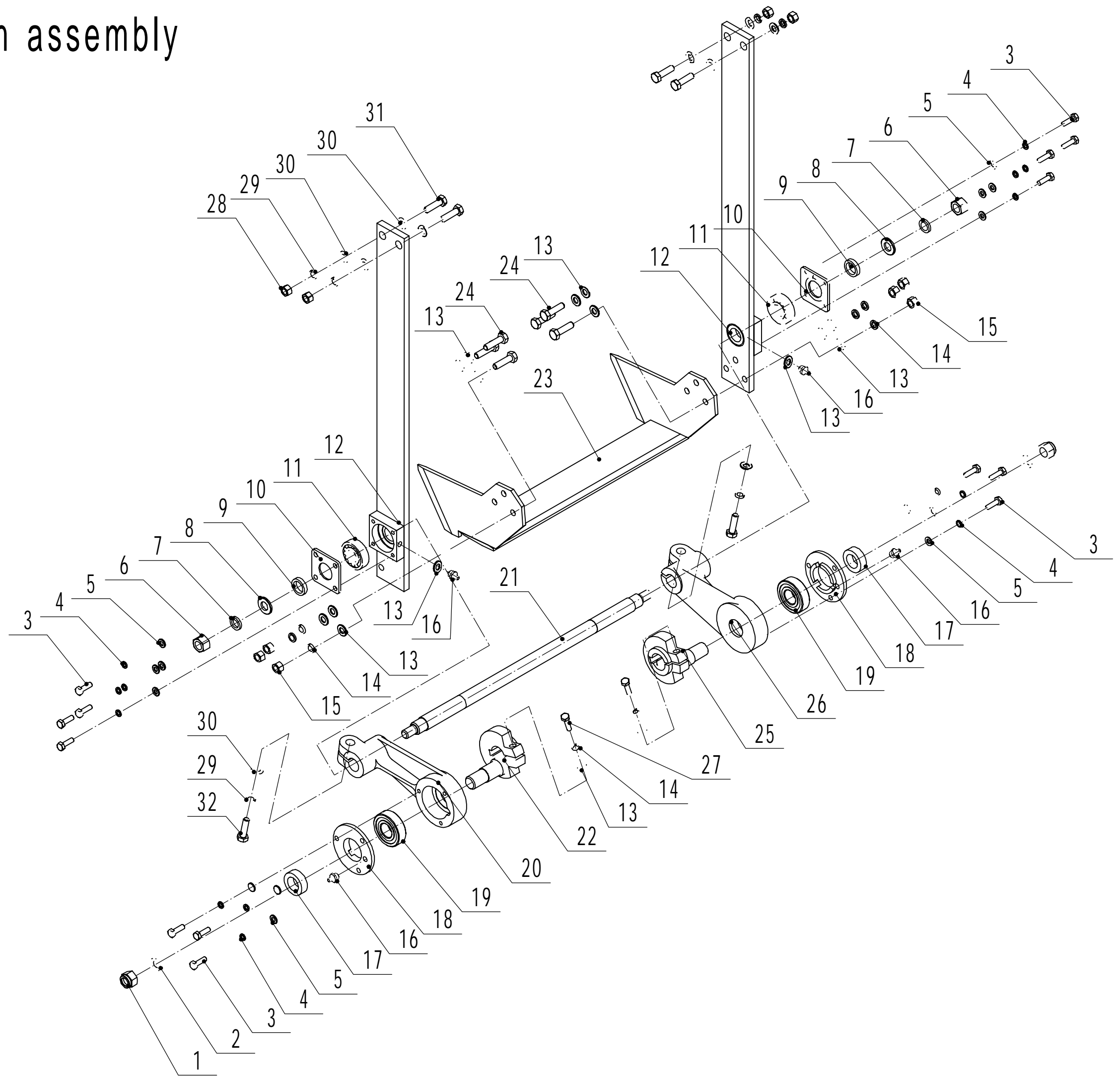
| Handle and controls | | | |
|----------------------------|-------------|---------------------|------------|
| N | ART | NAME | QTY |
| 1 | US270-00221 | Handle | 1 |
| 2 | UR200-00076 | Nut - M12 | 2 |
| 3 | UV160-00049 | Washer - 12 | 2 |
| 4 | US270-00001 | rear wheel assembly | 2 |
| 5 | US270-00002 | bolt | 2 |
| 6 | US270-00003 | spacer | 1 |
| 7 | US270-00004 | bracket | 1 |
| 8 | US270-00005 | wheel bracket | 1 |
| 9 | U455-00029 | spacer | 2 |
| 10 | UR200-00070 | spring washer | 2 |
| 11 | UG806-00061 | nut - M10 | 2 |
| 12 | US270-00006 | rod | 2 |
| 13 | US270-00007 | spring | 1 |
| 14 | US270-00009 | nut - M20 | 2 |
| 15 | US270-00010 | connector | 1 |
| 16 | U455-00061 | spacer | 1 |
| 17 | US270-00011 | cotter pin | 2 |
| 18 | US270-00012 | pin | 2 |
| 19 | UR200-00074 | spacer | 5 |
| 20 | UR200-00075 | spring washer | 5 |
| 21 | US270-00013 | bolt | 4 |
| 22 | US270-00019 | spacer | 1 |
| 23 | US270-00020 | nylon spacer | 2 |
| 24 | US270-00021 | Clutch Cable | 1 |
| 25 | UR200-00073 | nut | 1 |
| 26 | US270-00022 | spacer | 4 |
| 27 | US270-00023 | bolt | 1 |
| 28 | US270-00222 | throttle cable | 1 |
| 29 | U455-00006 | Nut - M5 | 1 |
| 30 | US270-00223 | Screw - M5x25 | 1 |

1.1 Handle part



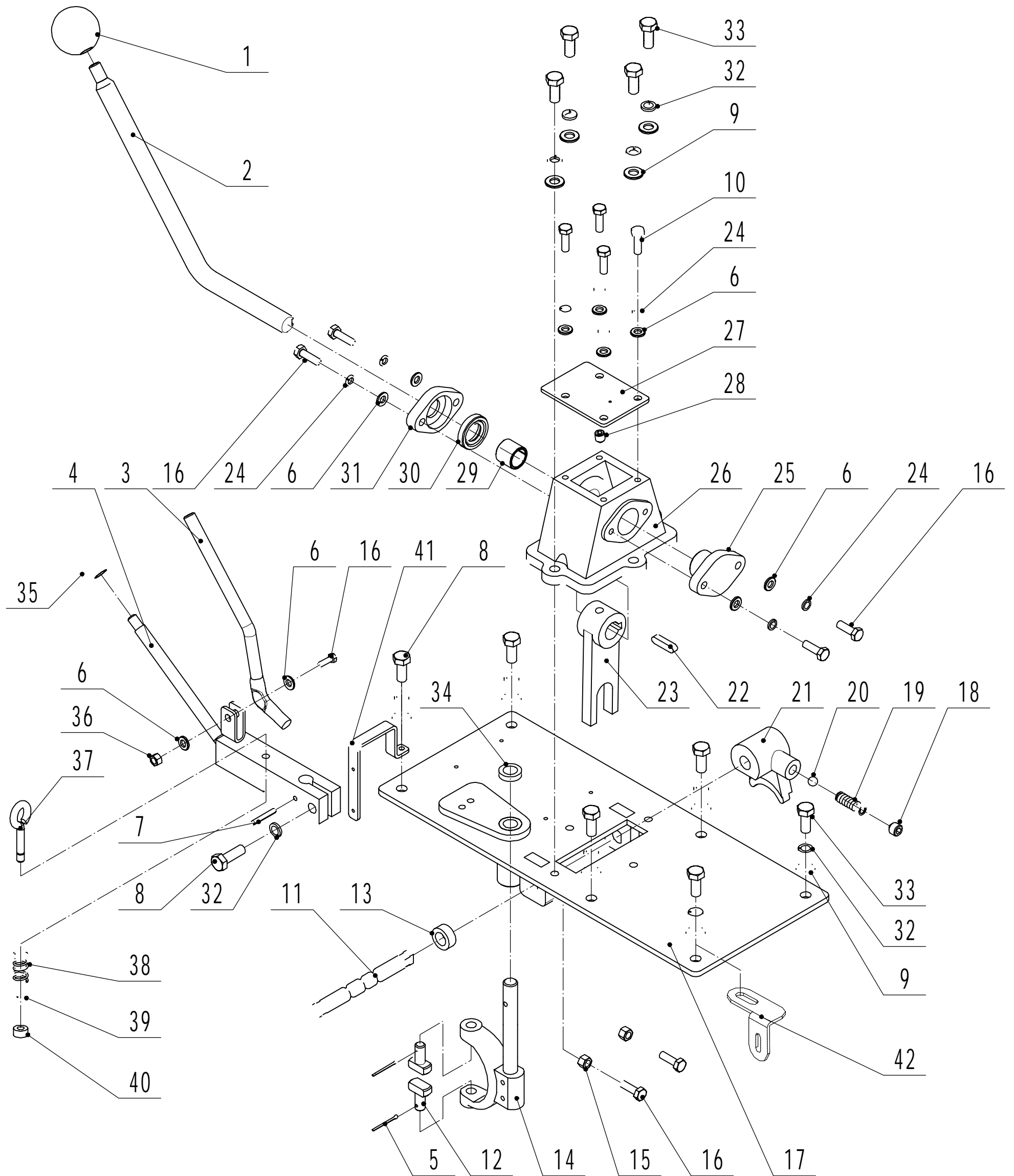
| Handle part | | | |
|--------------------|-------------|-----------------------|------------|
| N | ART | NAME | QTY |
| 1 | US270-00224 | handle | 1 |
| 2 | US270-00225 | spring | 1 |
| 3 | US270-00226 | supporting bush | 1 |
| 4 | UR810-00040 | screw - M5x20 | 1 |
| 5 | U506-00028 | spring washer 5 | 3 |
| 6 | UG700-00038 | washer - 5 | 1 |
| 7 | US270-00227 | wave washer - 10 | 1 |
| 8 | UG700-00005 | check ring | 2 |
| 9 | US270-00228 | pressing plate | 1 |
| 10 | US270-00229 | binding post | 1 |
| 11 | US270-00230 | bolt - M4x12 | 1 |
| 12 | US270-00231 | switch | 1 |
| 13 | US270-00232 | fixing plate | 1 |
| 14 | US270-00233 | bolt - M5x20 | 2 |
| 15 | U455-00013 | nut - M6 | 3 |
| 16 | U455-00054 | washer - 6 | 4 |
| 17 | UG700-00007 | screw - M6x40 | 3 |
| 18 | US270-00234 | handle sheath | 1 |
| 19 | US270-00235 | hand lever | 1 |
| 20 | US270-00236 | flameout cable | 1 |
| 21 | UG700-00001 | grip sheath | 2 |
| 22 | US270-00237 | spring | 1 |
| 23 | US270-00238 | clutch lever | 1 |
| 24 | US270-00239 | partition | 1 |
| 25 | US270-00240 | nylon bush | 1 |
| 26 | US270-00241 | pressing plate | 1 |
| 27 | US270-00015 | nylon bush | 2 |
| 28 | US270-00242 | shaft of clutch lever | 1 |
| 29 | US270-00017 | oil cup | 2 |

2 Blade arm assembly



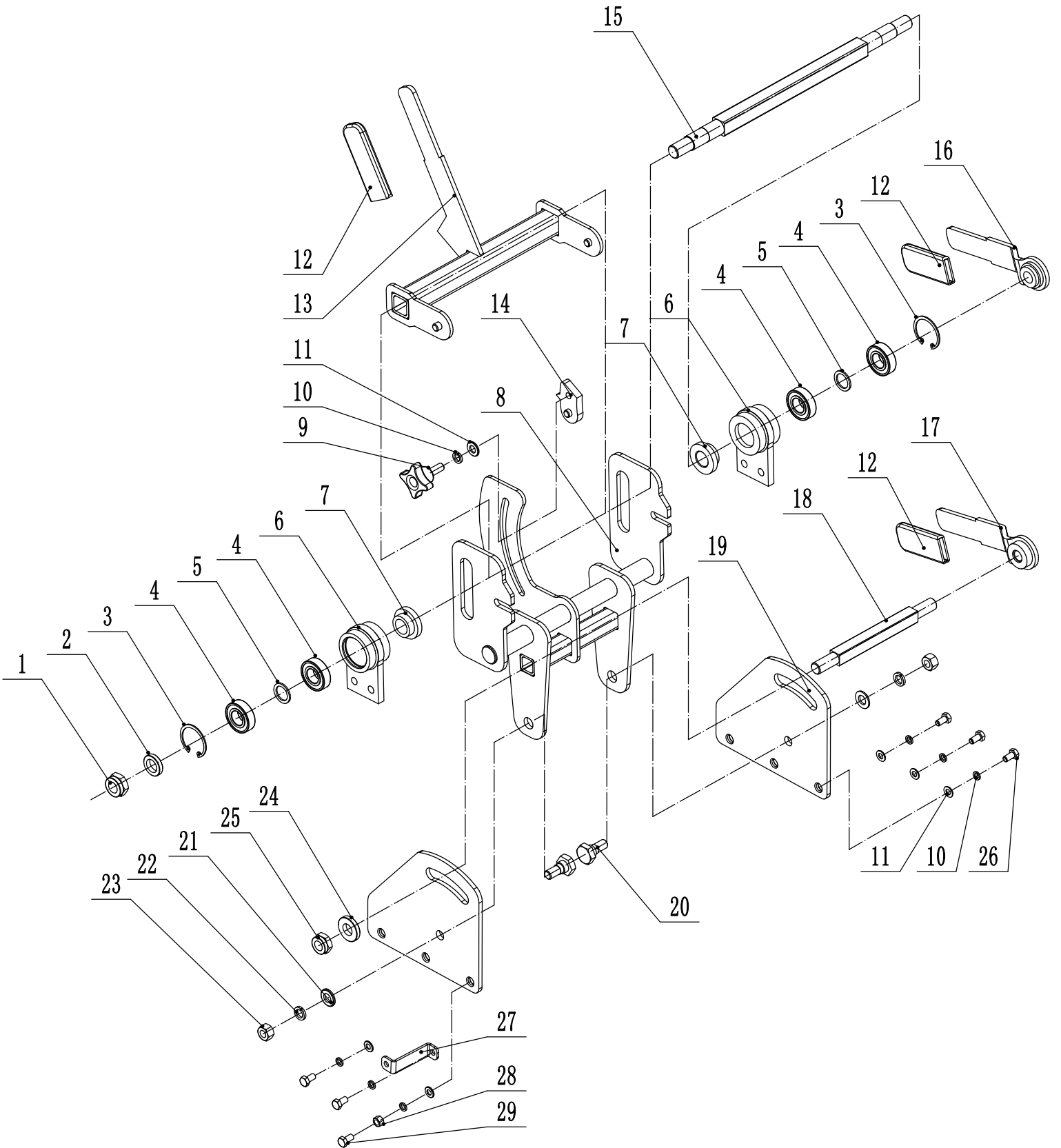
| Blade arm assembly | | | |
|---------------------------|-------------|----------------------|------------|
| N | ART | NAME | QTY |
| 1 | US270-00026 | Lock Nut | 2 |
| 2 | US270-00027 | Spacer | 2 |
| 3 | UG700-00055 | Bolt | 14 |
| 4 | UG700-00056 | Spring Washer | 14 |
| 5 | U455-00054 | Spacer | 14 |
| 6 | US270-00243 | Nut | 2 |
| 7 | UR200-00075 | Spring Washer | 2 |
| 8 | UR200-00074 | Spacer | 2 |
| 9 | US270-00028 | Spacer | 2 |
| 10 | US270-00029 | Cover | 2 |
| 11 | US270-00030 | Bearing | 2 |
| 12 | US270-00031 | Blade Arm | 2 |
| 13 | U455-00061 | Spacer | 16 |
| 14 | U455-00053 | Spring Washer | 8 |
| 15 | UG700-00022 | Nut | 6 |
| 16 | US270-00032 | Grease Nozzle | 4 |
| 17 | US270-00033 | Spacer | 2 |
| 18 | US270-00034 | Cover | 2 |
| 19 | US270-00035 | Bearing | 2 |
| 20 | US270-00036 | Left Connecting Rod | 1 |
| 21 | US270-00037 | Spindle | 1 |
| 22 | US270-00038 | Brank Block | 1 |
| 23 | US270-00039 | Blade | 1 |
| 24 | UG700-00095 | Bolt | 6 |
| 25 | US270-00244 | Brank Block | 1 |
| 26 | US270-00041 | Right Connecting Rod | 1 |
| 27 | US270-00042 | Screw | 2 |
| 28 | U537-00111 | Lock Nut | 4 |
| 29 | UR200-00070 | Spring Washer | 6 |
| 30 | U455-00029 | Spacer | 10 |
| 31 | US270-00043 | Bolt | 4 |
| 32 | UG700-00101 | Bolt | 2 |

3 Top cover assembly of transmission



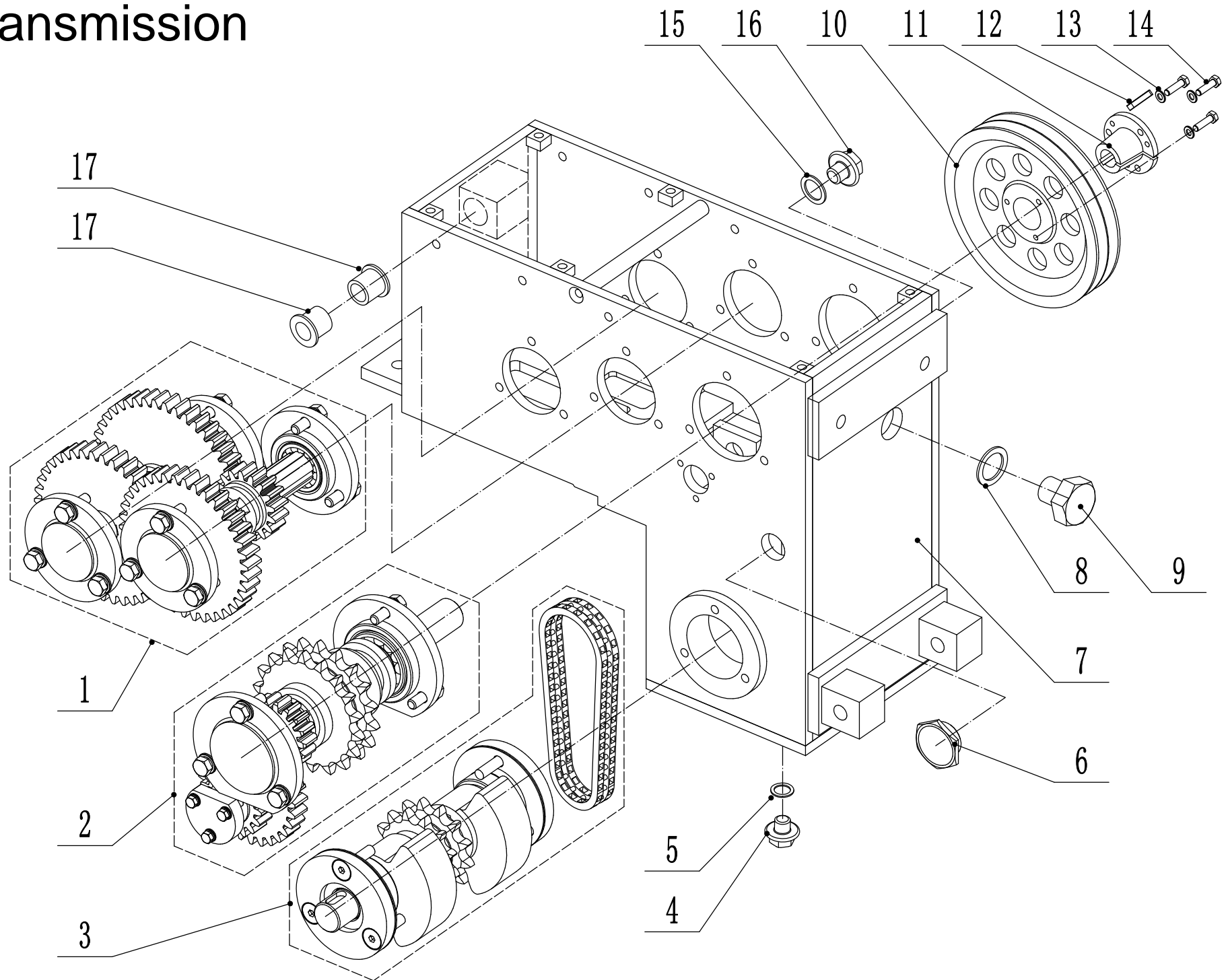
| Top cover assembly of transmission | | | |
|---|-------------|--------------------|------------|
| N | ART | NAME | QTY |
| 1 | US270-00044 | knob | 1 |
| 2 | US270-00045 | shift lever | 1 |
| 3 | US270-00046 | locating lever | 1 |
| 4 | US270-00047 | blade engage lever | 1 |
| 5 | US270-00011 | cotter pin | 2 |
| 6 | U455-00054 | spacer | 10 |
| 7 | US270-00049 | spring pin | 1 |
| 8 | UG806-00029 | bolt | 2 |
| 9 | U455-00053 | spacer | 10 |
| 10 | UG700-00138 | bolt | 4 |
| 11 | US270-00050 | shaft | 1 |
| 12 | US270-00051 | claw | 2 |
| 13 | US270-00052 | bush | 1 |
| 14 | US270-00053 | shifting fork | 1 |
| 15 | UG700-00132 | nut | 2 |
| 16 | UG700-00055 | bolt | 7 |
| 17 | US270-00054 | cover | 1 |
| 18 | US270-00055 | lock screw | 1 |
| 19 | US270-00056 | spring | 1 |
| 20 | US270-00057 | steel ball | 1 |
| 21 | US270-00058 | shifting fork | 1 |
| 22 | US270-00059 | key | 1 |
| 23 | US270-00060 | shifting fork 1 | 1 |
| 24 | UG700-00056 | spring washer | 8 |
| 25 | US270-00061 | cover 1 | 1 |
| 26 | US270-00062 | bracket | 1 |
| 27 | US270-00063 | cover | 1 |
| 28 | US270-00245 | lock screw | 1 |
| 29 | US270-00065 | bush | 1 |
| 30 | UG700-00082 | seal | 1 |
| 31 | US270-00066 | cover 2 | 1 |
| 32 | U455-00053 | spring washer | 11 |
| 33 | U537-00060 | bolt | 9 |
| 34 | US270-00067 | seal | 1 |
| 35 | US270-00068 | knob | 1 |
| 36 | U455-00013 | lock nut | 1 |
| 37 | US270-00069 | pin | 1 |
| 38 | US270-00070 | spring | 1 |
| 39 | US270-00071 | ring | 1 |
| 40 | US270-00072 | spacer | 1 |
| 41 | US270-00073 | bracket 2 | 1 |
| 42 | US270-00074 | bracket 1 | 1 |

4 Blade controller assembly



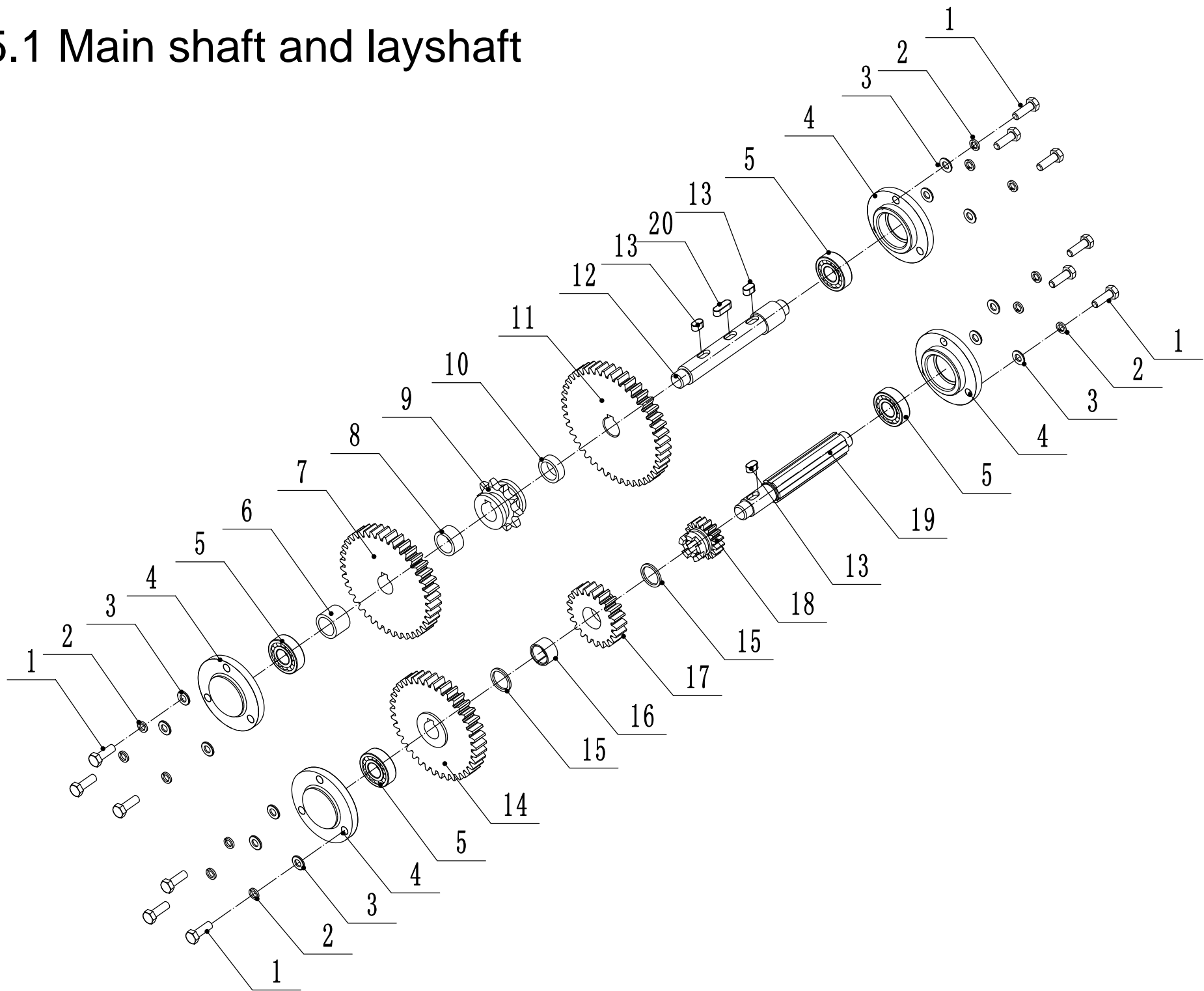
| Blade controller assembly | | | |
|----------------------------------|-------------|---------------------|------------|
| N | ART | NAME | QTY |
| 1 | US270-00075 | Lock Nut | 1 |
| 2 | US270-00246 | Spacer | 1 |
| 3 | UG700-00111 | Check Ring | 2 |
| 4 | US270-00077 | Bearing | 4 |
| 5 | US270-00078 | Spacer | 2 |
| 6 | US270-00079 | Upper Arm | 2 |
| 7 | US270-00080 | Spacer | 2 |
| 8 | US270-00081 | Bracket | 1 |
| 9 | US270-00082 | Knob | 1 |
| 10 | UR200-00070 | Spring Washer | 7 |
| 11 | U455-00029 | Spacer | 6 |
| 12 | US270-00083 | Sheath | 3 |
| 13 | US270-00084 | Lever | 1 |
| 14 | US270-00085 | Block | 1 |
| 15 | US270-00086 | Axle | 1 |
| 16 | US270-00087 | Upper Locking Lever | 1 |
| 17 | US270-00088 | Lower Locking Lever | 1 |
| 18 | US270-00089 | Axle | 1 |
| 19 | US270-00090 | Lower Bracket | 2 |
| 20 | US270-00091 | Pin | 2 |
| 21 | UR200-00074 | Spacer | 2 |
| 22 | UR200-00075 | Springwasher | 2 |
| 23 | UR200-00073 | Nut | 2 |
| 24 | US270-00092 | Spacer | 1 |
| 25 | US270-00093 | Lock Nut | 1 |
| 26 | UR200-00067 | Bolt | 5 |
| 27 | US270-00094 | Bracket | 1 |
| 28 | UG806-00061 | Nut | 1 |
| 29 | UG390-00011 | Bolt | 1 |

5 Transmission



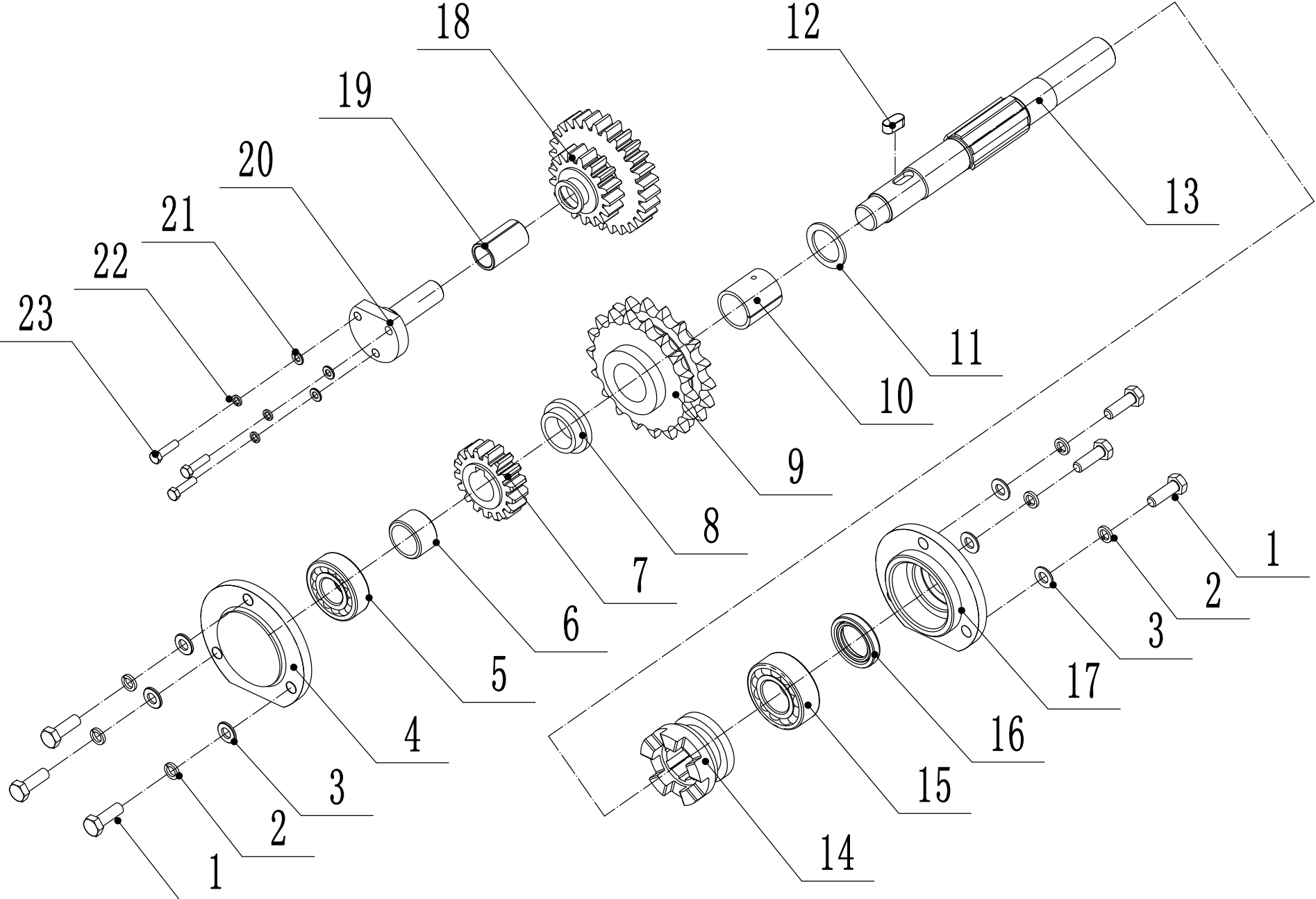
| Transmission | | | |
|---------------------|-------------|-------------|------------|
| N | ART | NAME | QTY |
| 4 | US270-00247 | Bolt | 1 |
| 5 | US270-00099 | Seal | 1 |
| 6 | US270-00100 | Indicator | 1 |
| 7 | US270-00101 | Chassis Box | 1 |
| 8 | US270-00102 | Seal | 2 |
| 9 | US270-00248 | Bolt | 1 |
| 10 | US270-00104 | Pulley | 1 |
| 11 | US270-00105 | Core | 1 |
| 12 | US270-00106 | Key | 1 |
| 13 | U455-00061 | Spacer | 3 |
| 14 | US270-00107 | Bolt | 3 |
| 15 | US270-00108 | Seal | 1 |
| 16 | US270-00249 | Bolt | 1 |
| 17 | US270-00110 | Spacer | 2 |

5.1 Main shaft and layshaft



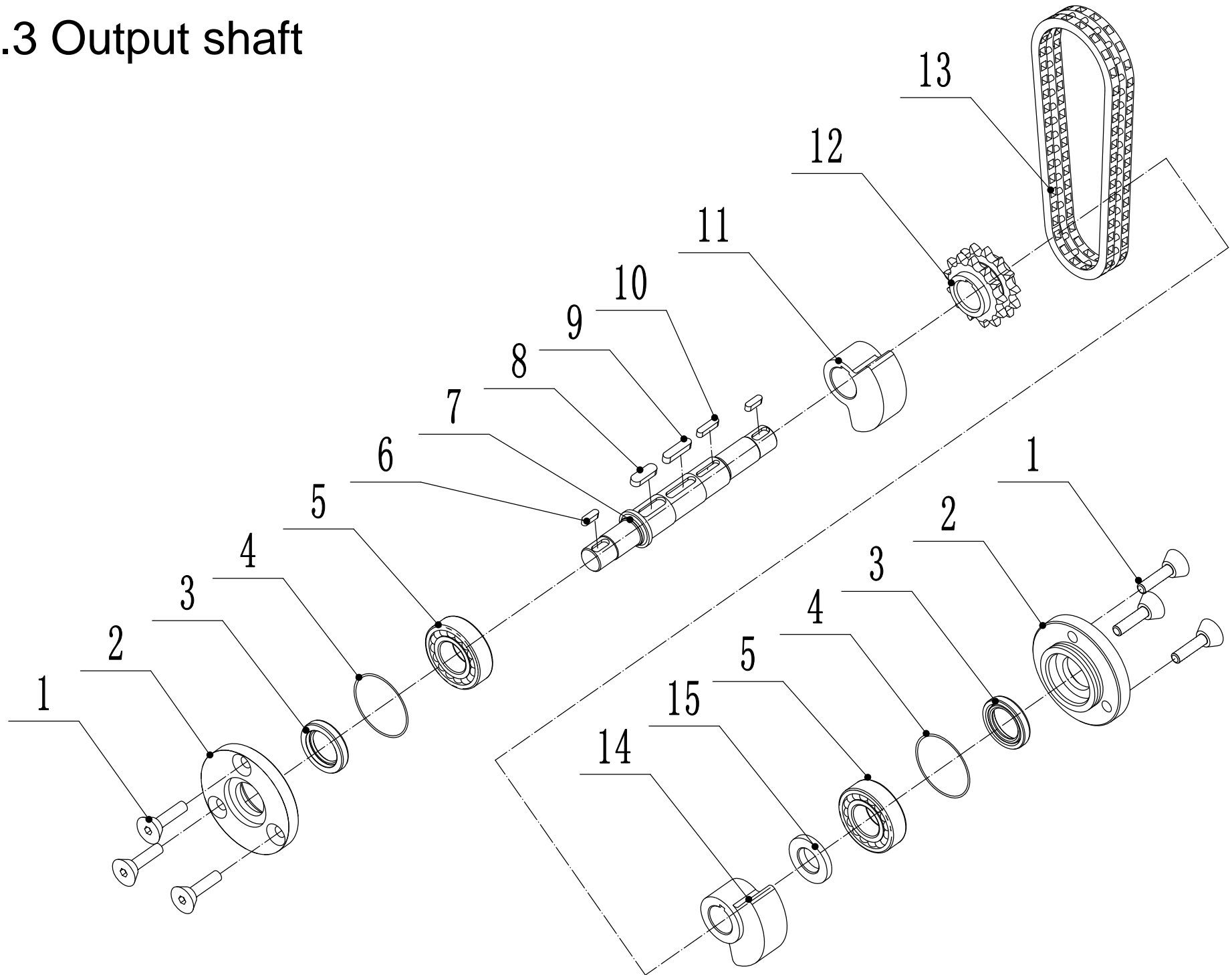
| Main shaft and layshaft | | | |
|--------------------------------|-------------|----------------|------------|
| N | ART | NAME | QTY |
| 1 | U537-00060 | Bolt | 12 |
| 2 | U455-00053 | Spring Washer | 12 |
| 3 | U455-00061 | Spacer | 12 |
| 4 | US270-00111 | Side Cover | 4 |
| 5 | US270-00030 | Bearing | 4 |
| 6 | US270-00113 | Spacer | 1 |
| 7 | US270-00114 | Gear | 1 |
| 8 | US270-00115 | Spacer | 1 |
| 9 | US270-00116 | Sprocket Wheel | 1 |
| 10 | US270-00117 | Spacer | 1 |
| 11 | US270-00118 | Gear | 1 |
| 12 | US270-00119 | Axle | 1 |
| 13 | US270-00120 | Key | 3 |
| 14 | US270-00121 | Gear | 1 |
| 15 | US270-00122 | Spacer | 2 |
| 16 | US270-00123 | Bush | 1 |
| 17 | US270-00124 | Gear | 1 |
| 18 | US270-00250 | Gear | 1 |
| 19 | US270-00126 | Axle | 1 |
| 20 | US270-00251 | Key | 1 |

5.2 Transitional shaft and input shaft



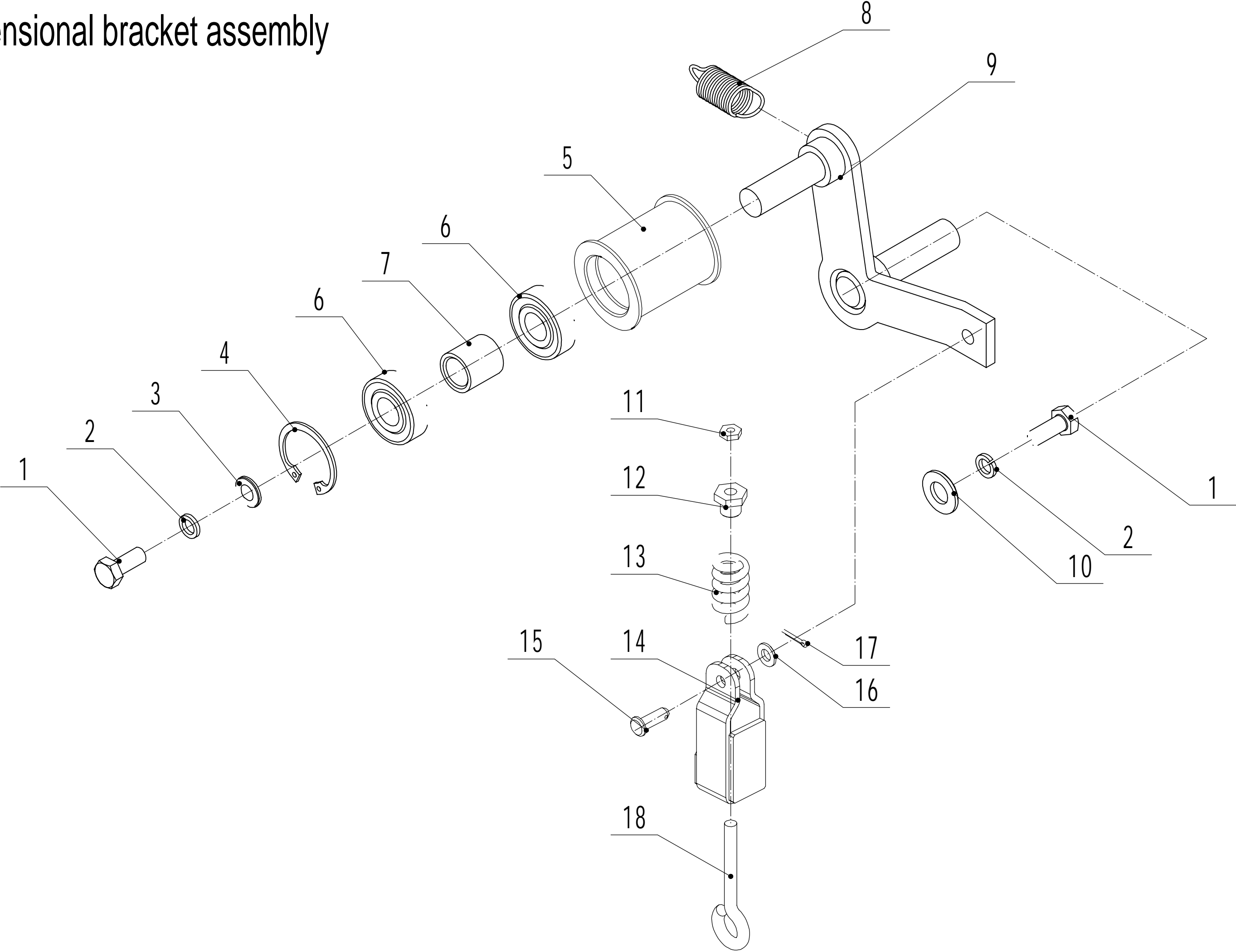
| Transitional shaft and input shaft | | | |
|---|-------------|----------------|------------|
| N | ART | NAME | QTY |
| 1 | U537-00060 | Bolt | 6 |
| 2 | U455-00053 | Spring Washer | 6 |
| 3 | U455-00061 | Spacer | 6 |
| 4 | US270-00127 | Side Cover | 1 |
| 5 | US270-00128 | Bearing | 1 |
| 6 | US270-00129 | Spacer | 1 |
| 7 | US270-00130 | Gear | 1 |
| 8 | US270-00131 | Spacer | 1 |
| 9 | US270-00132 | Sprocket Wheel | 1 |
| 10 | US270-00133 | Bush | 1 |
| 11 | US270-00134 | Spacer | 1 |
| 12 | US270-00135 | Key | 1 |
| 13 | US270-00136 | Axle | 1 |
| 14 | US270-00137 | Bush | 1 |
| 15 | US270-00138 | Bearing | 1 |
| 16 | US270-00139 | Seal | 1 |
| 17 | US270-00140 | Side Cover | 1 |
| 18 | US270-00141 | Gear | 1 |
| 19 | US270-00142 | Bush | 1 |
| 20 | US270-00143 | Axle | 1 |
| 21 | U455-00054 | Spacer | 3 |
| 22 | UG700-00056 | Spring Washer | 3 |
| 23 | UG700-00055 | Bolt | 3 |

5.3 Output shaft



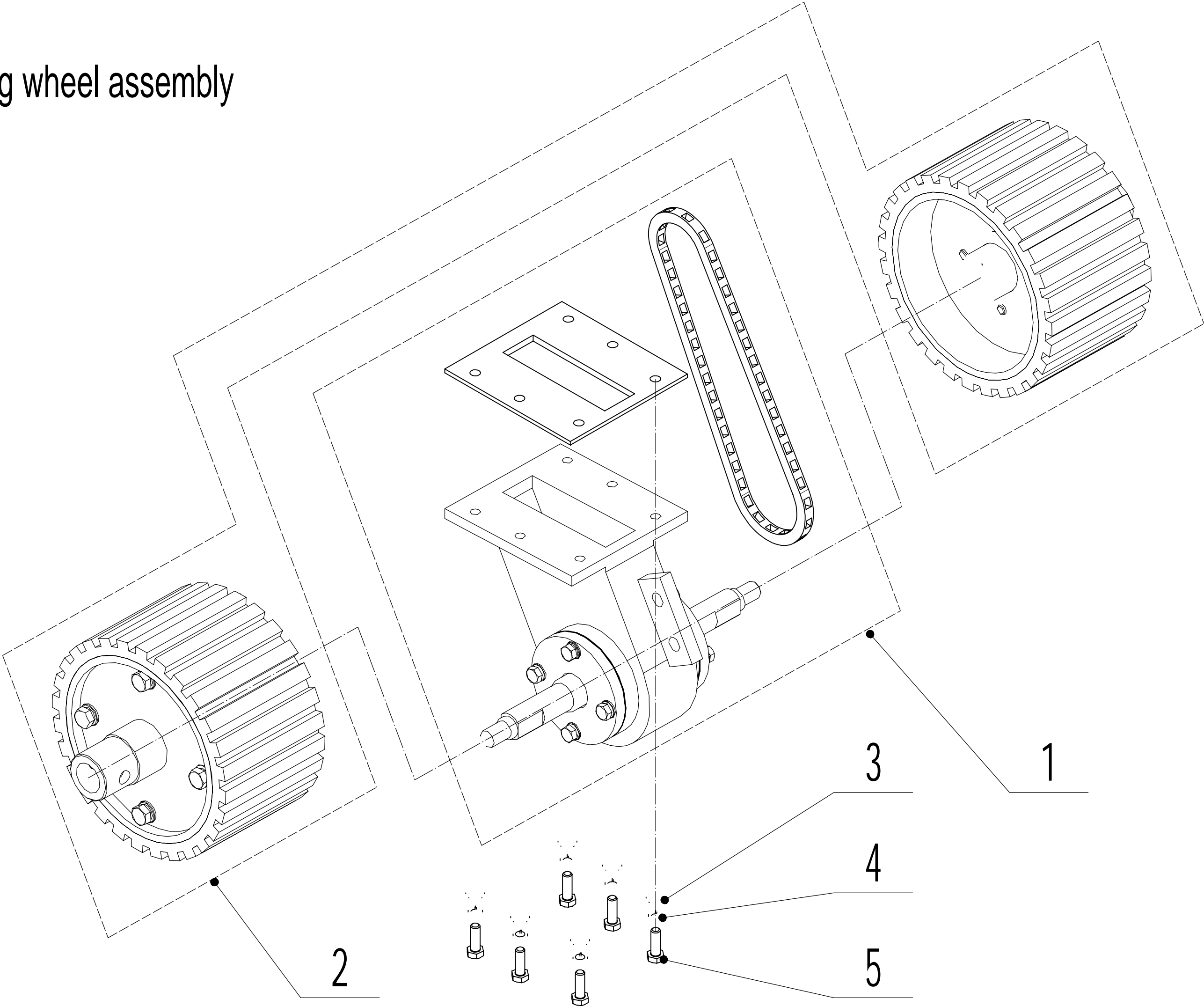
| Output shaft | | | |
|---------------------|-------------|----------------|------------|
| N | ART | NAME | QTY |
| 1 | US270-00144 | Screw | 6 |
| 2 | US270-00145 | Side Cover | 2 |
| 3 | US270-00139 | Seal | 2 |
| 5 | US270-00147 | Bearing | 2 |
| 6 | US270-00148 | Key | 2 |
| 7 | US270-00149 | Axle | 1 |
| 8 | US270-00150 | Key | 1 |
| 9 | UG390-00076 | Key | 1 |
| 10 | US270-00151 | Key | 1 |
| 11 | US270-00152 | Left Block | 1 |
| 12 | US270-00153 | Sprocket Wheel | 1 |
| 13 | US270-00154 | Chain | 1 |
| 14 | US270-00155 | Right Block | 1 |
| 15 | US270-00156 | Bush | 1 |

6 Tensional bracket assembly



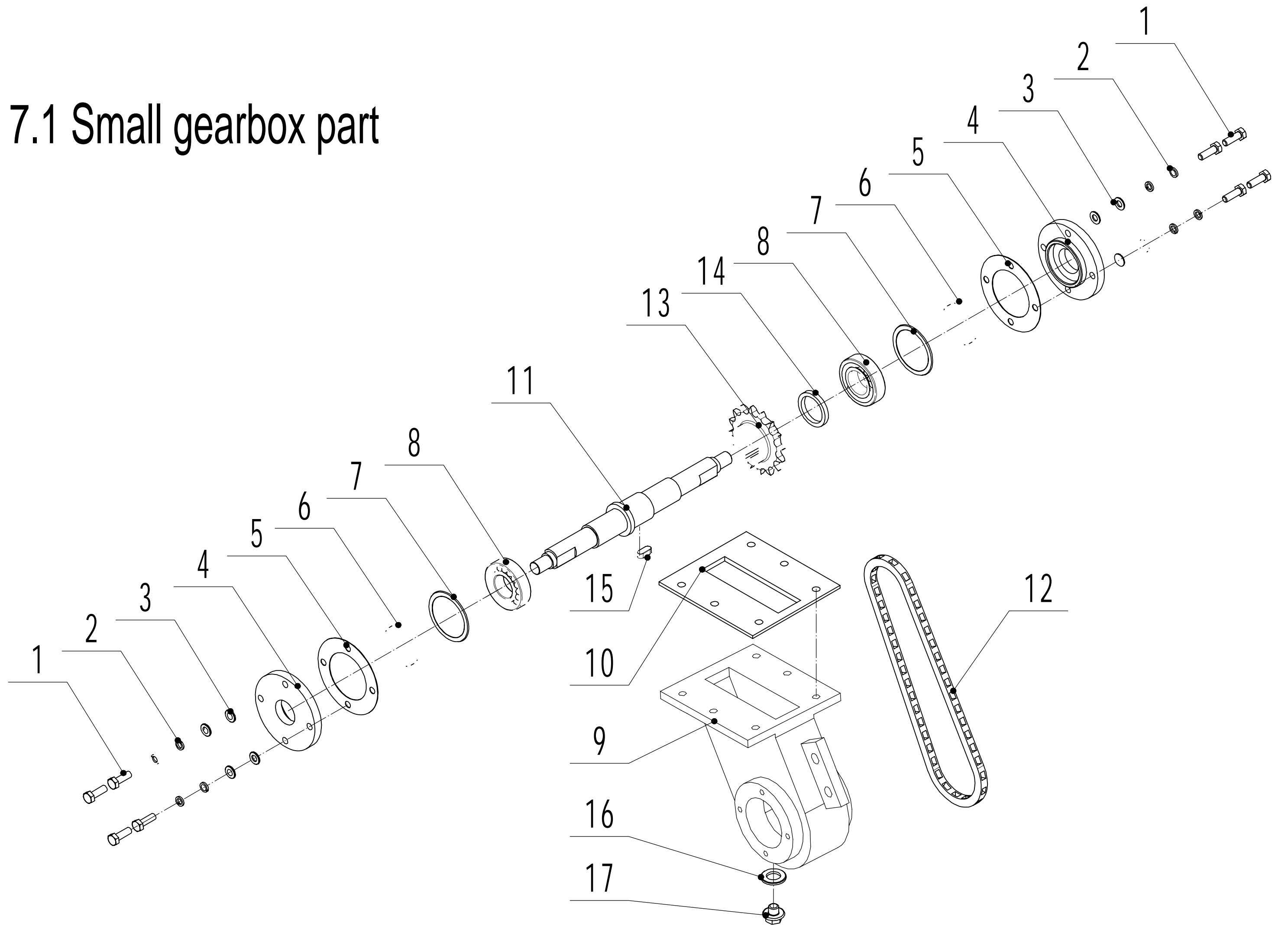
| Tensional bracket assembly | | | |
|-----------------------------------|-------------|------------------------------------|------------|
| N | ART | NAME | QTY |
| 1 | U537-00060 | bolt | 2 |
| 2 | U455-00053 | spring washer | 2 |
| 3 | U506-00058 | spacer | 1 |
| 4 | UG700-00060 | check ring | 1 |
| 5 | US270-00157 | tensional pulley | 1 |
| 6 | US270-00158 | bearing | 2 |
| 7 | US270-00159 | spacer | 1 |
| 8 | US270-00160 | spring 1 | 1 |
| 9 | US270-00161 | tensional arm | 1 |
| 10 | US270-00162 | spacer | 1 |
| 11 | US270-00252 | nut - M6 | 1 |
| 12 | US270-00253 | locating Bush II ofPressing Spring | 1 |
| 13 | US270-00165 | Spring - 18x35 | 1 |
| 14 | US270-00167 | Supporting Base ofPressing Spring | 1 |
| 15 | US270-00168 | Pin Axis - B6x18 | 1 |
| 16 | U455-00054 | Washer - 6 | 1 |
| 17 | US270-00169 | Split pin - 2x10 | 1 |
| 18 | US270-00170 | connecting Rod ofPressing Spring | 1 |

7 Driving wheel assembly



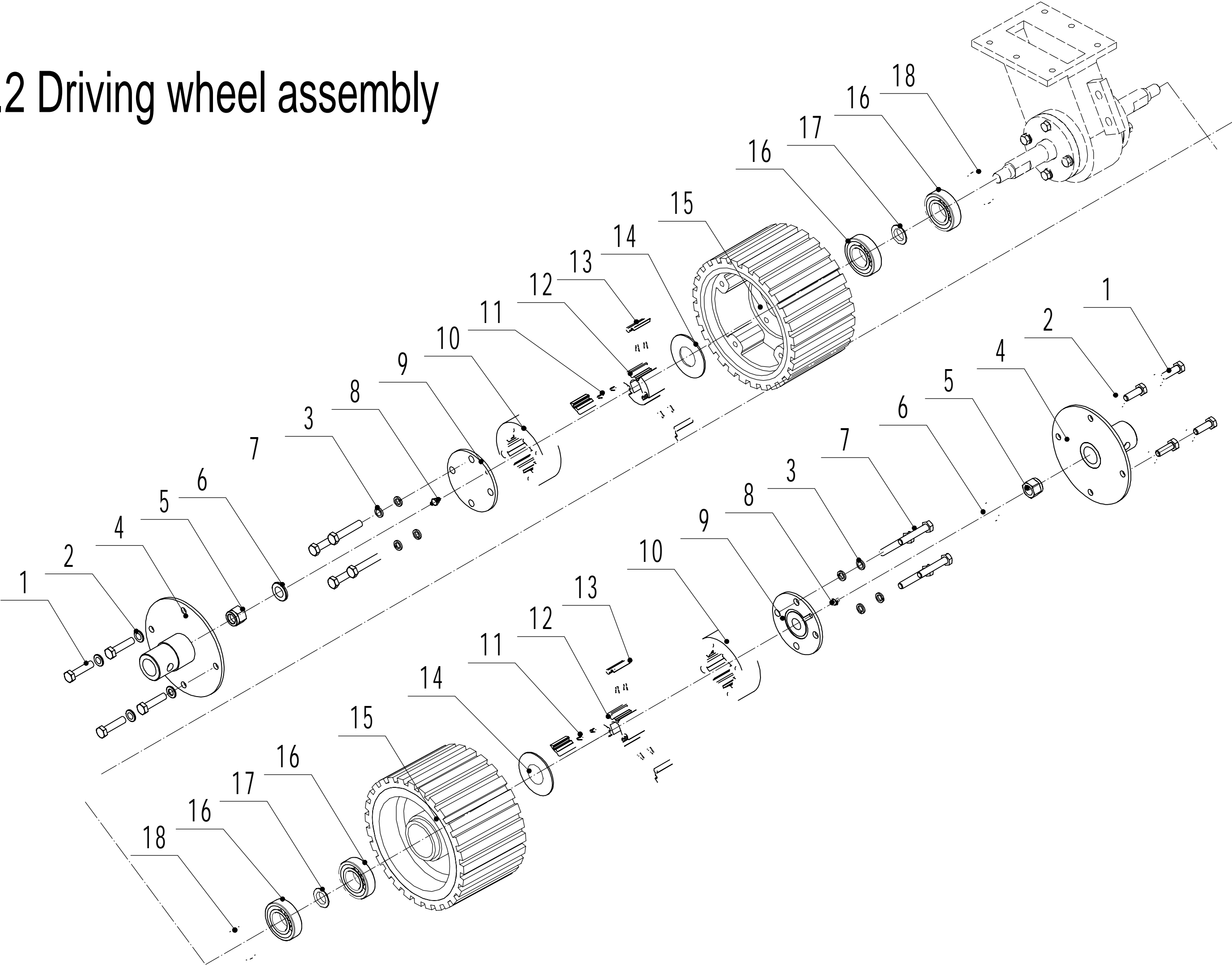
| Driving wheel assembly | | | |
|-------------------------------|-------------|---------------|------------|
| N | ART | NAME | QTY |
| 3 | U455-00061 | Spacer | 6 |
| 4 | U455-00053 | Spring Washer | 6 |
| 5 | UG700-00095 | Bolt | 6 |

7.1 Small gearbox part



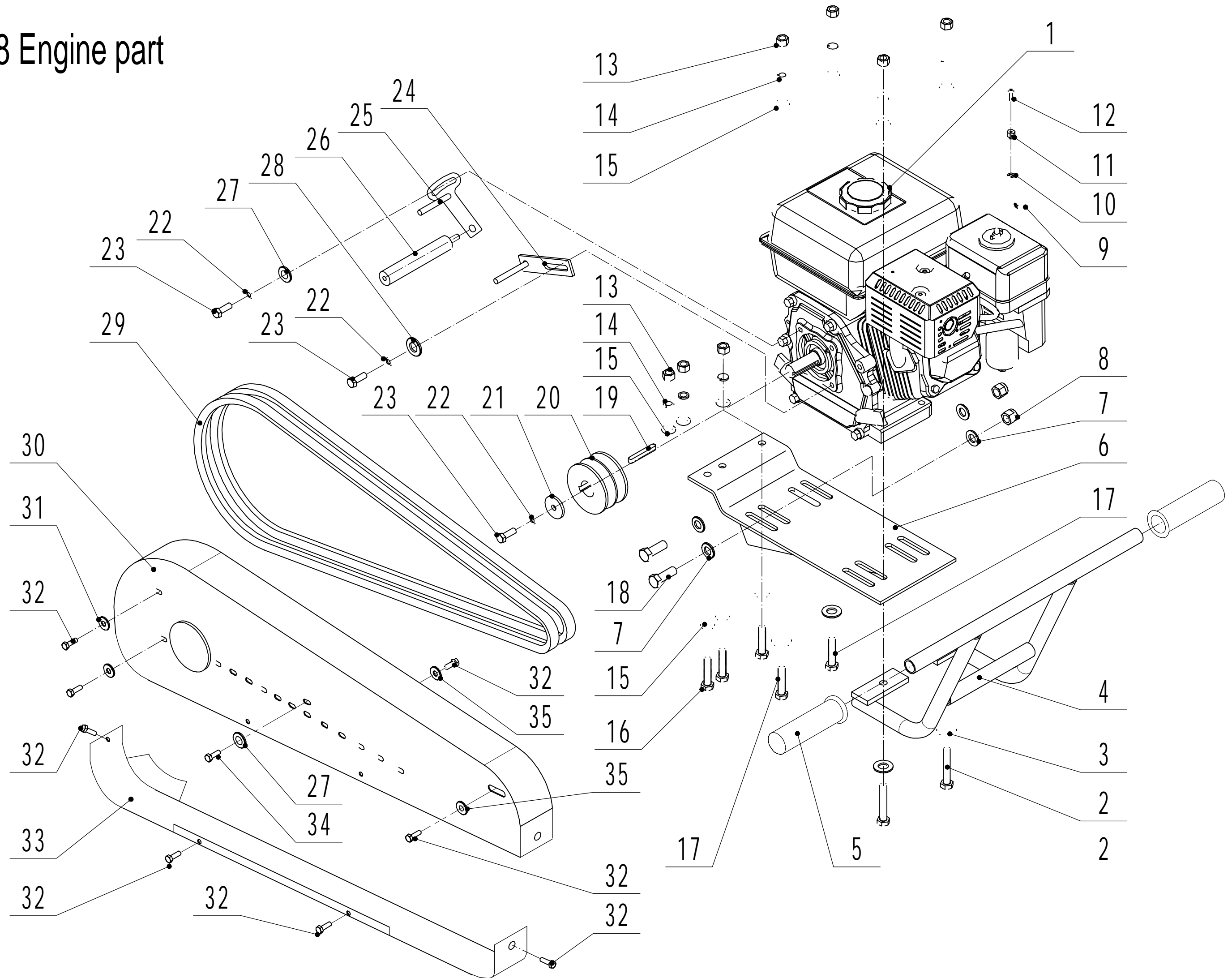
| Small gearbox part | | | |
|---------------------------|-------------|----------------|------------|
| N | ART | NAME | QTY |
| 1 | U537-00023 | Bolt | 8 |
| 2 | U455-00053 | Spring Washer | 8 |
| 3 | U455-00061 | Spacer | 8 |
| 4 | US270-00171 | Side Cover | 2 |
| 5 | US270-00172 | Seal | 2 |
| 6 | US270-00173 | Seal | 2 |
| 7 | US270-00174 | Spacer | 2 |
| 8 | US270-00175 | Bearing | 2 |
| 9 | US270-00176 | Box | 1 |
| 10 | US270-00177 | Upper Seal | 1 |
| 11 | US270-00178 | Axle | 1 |
| 12 | US270-00179 | Chain | 1 |
| 13 | US270-00180 | Sprocket Wheel | 1 |
| 14 | US270-00181 | Spacer | 1 |
| 15 | US270-00148 | Key | 1 |
| 16 | US270-00099 | Seal | 1 |
| 17 | US270-00098 | Bolt | 1 |

7.2 Driving wheel assembly



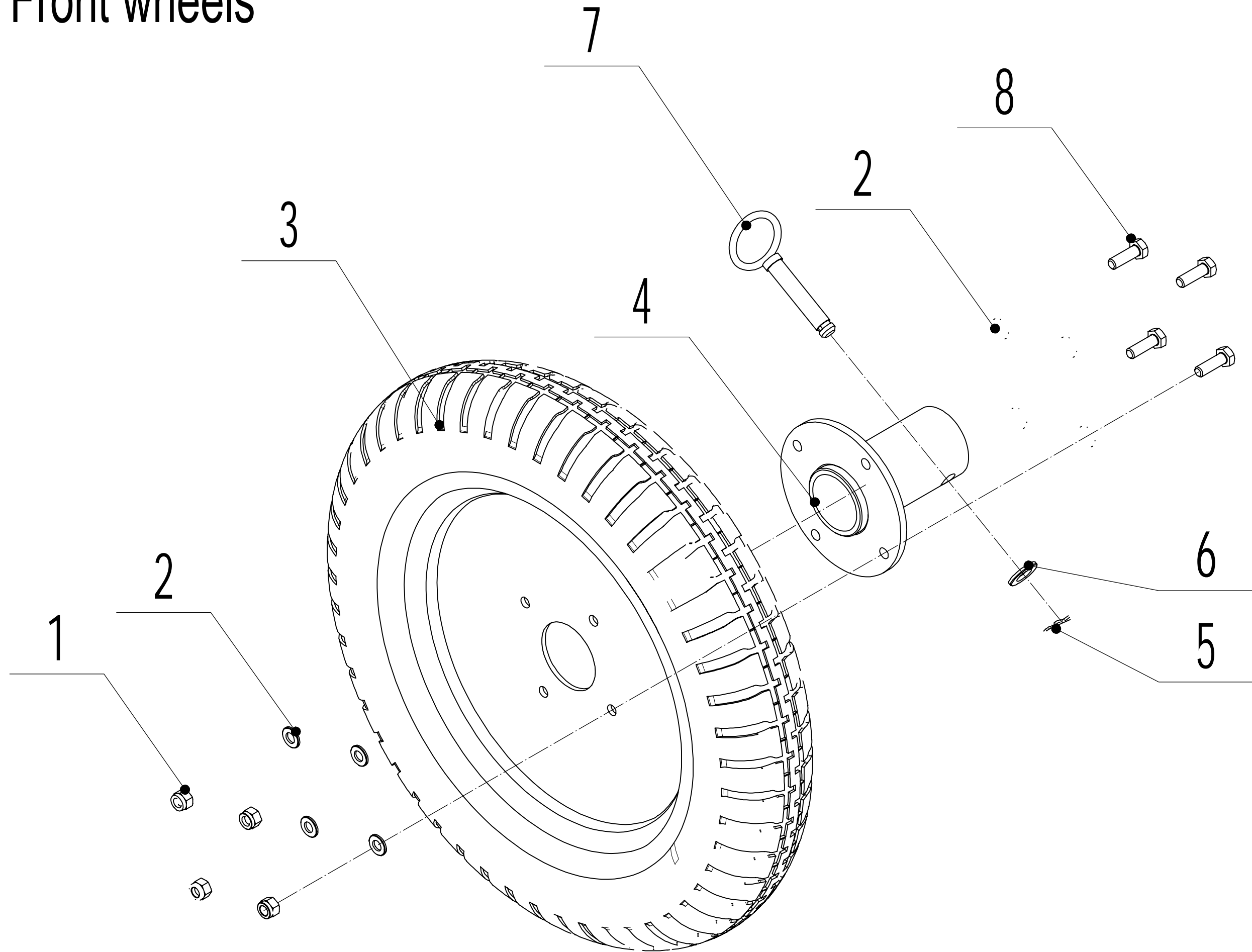
| Driving wheel assembly | | | |
|-------------------------------|-------------|---------------|------------|
| N | ART | NAME | QTY |
| 1 | UR200-00067 | Bolt | 8 |
| 2 | U455-00029 | Spring Washer | 16 |
| 3 | US270-00185 | Axle | 2 |
| 4 | US270-00093 | Lock Nut | 2 |
| 5 | UR200-00071 | Spacer | 2 |
| 6 | US270-00187 | Spacer | 2 |
| 7 | US270-00188 | Bolt | 8 |
| 8 | US270-00017 | Grease Nozzle | 2 |
| 9 | US270-00190 | Hub Cover | 2 |
| 10 | US270-00191 | Ratchet | 2 |
| 11 | US270-00192 | Spring | 12 |
| 12 | US270-00193 | Ratchet | 2 |
| 13 | US270-00194 | Pawl | 6 |
| 14 | US270-00196 | Spacer | 2 |
| 15 | US270-00195 | Working Wheel | 2 |
| 16 | US270-00197 | Bearing | 4 |
| 17 | US270-00198 | Spacer | 2 |
| 18 | US270-00173 | Seal | 2 |

8 Engine part



| Engine part | | | |
|-------------|-------------|---------------|-----|
| N | ART | NAME | QTY |
| 1 | US270-00254 | engine | 1 |
| 2 | US270-00188 | bolt | 2 |
| 3 | UG700-00100 | spacer | 4 |
| 4 | US270-00201 | bar | 1 |
| 5 | UG700-00001 | grip sheath | 2 |
| 6 | US270-00202 | bracket | 1 |
| 7 | UR200-00074 | spacer | 4 |
| 8 | UR200-00076 | lock nut | 2 |
| 9 | US270-00203 | spring | 1 |
| 10 | UG700-00005 | check ring | 1 |
| 11 | US270-00204 | block | 1 |
| 12 | US270-00205 | screw | 1 |
| 13 | UG806-00061 | nut | 7 |
| 14 | UR200-00070 | spring washer | 7 |
| 15 | U455-00029 | spacer | 10 |
| 16 | UG390-00011 | bolt | 3 |
| 17 | UT160-00011 | bolt | 2 |
| 18 | UV160-00051 | bolt | 2 |
| 19 | US270-00255 | key | 1 |
| 20 | US270-00207 | pulley | 1 |
| 21 | US270-00208 | spacer | 1 |
| 22 | U455-00053 | spring washer | 3 |
| 23 | UG806-00029 | bolt | 3 |
| 24 | US270-00209 | bracket | 1 |
| 25 | US270-00210 | bracker | 1 |
| 26 | US270-00211 | rod | 1 |
| 27 | U506-00058 | spacer | 2 |
| 28 | UAE55-00052 | spacer | 1 |
| 29 | US270-00212 | belt | 2 |
| 30 | US270-00213 | upper shield | 1 |
| 31 | US270-00256 | big spacer | 2 |
| 32 | U455-00009 | bolt | 8 |
| 33 | US270-00216 | lower shield | 1 |
| 34 | UG390-00079 | bolt | 1 |
| 35 | U455-00044 | spacer | 2 |

9 Front wheels



| 9 Front wheels | | | |
|-----------------------|-------------|-------------|------------|
| N | ART | NAME | QTY |
| 1 | U455-00007 | Lock Nut | 4 |
| 2 | U455-00061 | Spacer | 8 |
| 3 | US270-00217 | Wheel | 1 |
| 4 | US270-00218 | Adapter | 1 |
| 5 | US270-00219 | Cotter Pin | 1 |
| 6 | UR200-00074 | Spacer | 1 |
| 7 | US270-00220 | Pin | 1 |
| 8 | UG806-00029 | Bolt | 4 |