

PARTS CATALOG

MITSUBISHI MEIKI  
AIR-COOLED  
GASOLINE ENGINE

MODEL GT600PC-RSP

NOV., 2008

MITSUBISHI HEAVY INDUSTRIES, LTD.

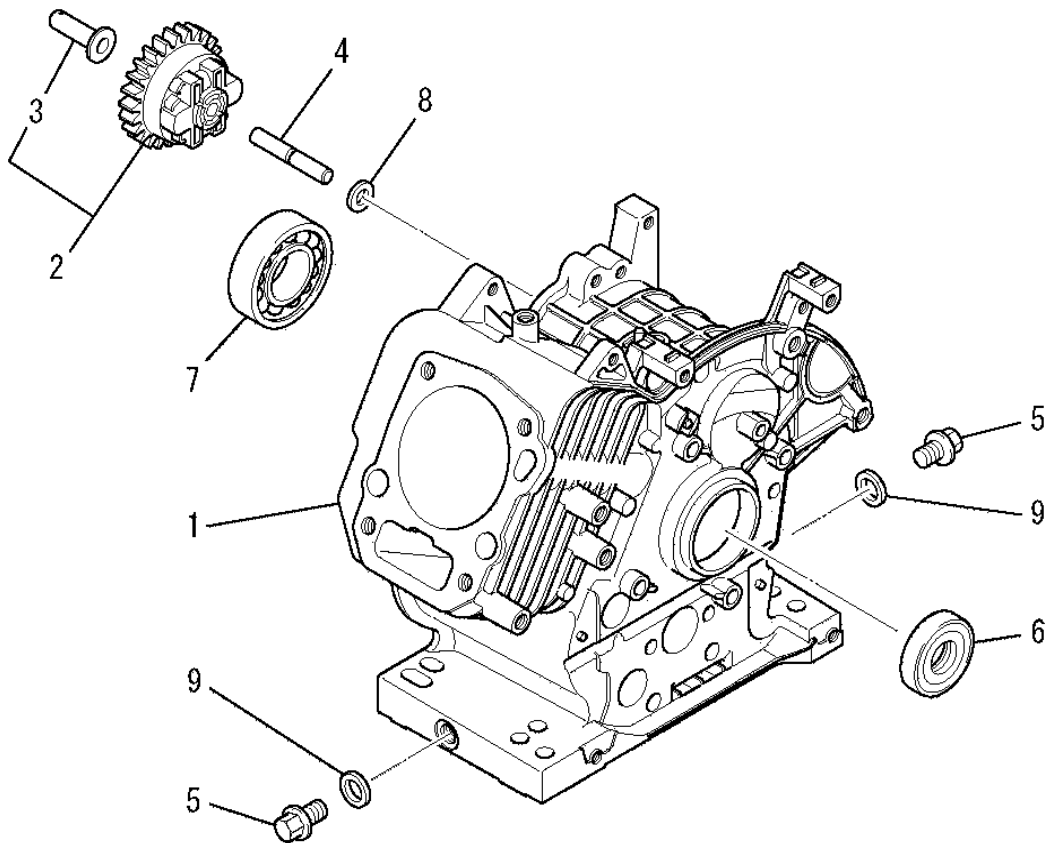
# INDEX

Page No.	No.	Parts No.	Page No.	No.	Parts No.
1	1	LB44013AA	6	5	LW430B05X016
1	2	LG01003BA	6	6	LV01201AA
1	3	LG14004AA	7	1	LD03031AA
1	4	LG22022AA	7	1	LD03031BA
1	5	LL22003AA	7	1	LD03031CA
1	6	LW25011AA	7	2	LB800B06030
1	7	LW11024AA	7	3	LP16007AA
1	8	LW200H06	7	3	LP16007BA
1	9	LW39070AA	7	3	LP16007CA
2	1	LC02056AA	7	4	LP55001BA
2	2	LV24011AA	7	5	LP02016AA
2	3	LV34005AA	7	5	LP02016BA
2	4	LV43007AA	7	5	LP02016CA
2	5	LV55009AA	7	6	LP90003AA
2	6	LV55008AA	8	1	LE12038AA
2	7	LV64004AA	8	2	LE24020AA
2	8	LV71010AA	8	3	LE90073BA
2	9	LV02004BA	8	4	LE90202AA
2	10	LV72016AA	8	5	LU70007AA
2	11	LV72017AA	8	6	LB800A06020
2	12	LU23013AA	8	7	LFR41231
3	13	LV73005AA	9	1	LA11022AA
3	14	LV75009BA	9	2	LA20070AA
3	15	LFR34111	9	3	LA30024BA
3	16	LV74005AA	9	4	LA40074AA
3	17	LV90016AA	9	5	LA90122AA
3	18	LW21023AA	9	6	LL41005BA
3	19	LB800A06016	9	7	LB151B06075
3	20	LB800B08055	9	8	LA90124AA
3	21	LU44001AA	9	9	LN801A06
3	22	LC66015AA	9	10	LW34029AA
4	1	LC09014AA	10	1	LK13039EB
4	2	LB800A06012	10	2	LK32008AA
4	3	LW33007AA	10	3	LW34029AA
5	1	LB64013FA	11	1	LG03056AA
5	2	LL21016BA	11	2	LG22018AA
5	3	LW23003AA	11	3	LG31030AA
5	4	LW11019AA	11	4	LG41023AA
5	5	LW25010AA	11	5	LG42024AA
5	6	LB800B08030	11	6	LG90014AA
5	7	LU44001AA	11	7	LG90015AA
5	8	LW31015AA	11	8	LG90016AA
6	1	LD02063FA	11	9	LU70006AA
6	2	LD63049AA	11	10	LB800A06012
6	3	LW430B05X016	11	11	LFR42734
6	4	LD63046AA	11	12	LB800A06008K

# INDEX

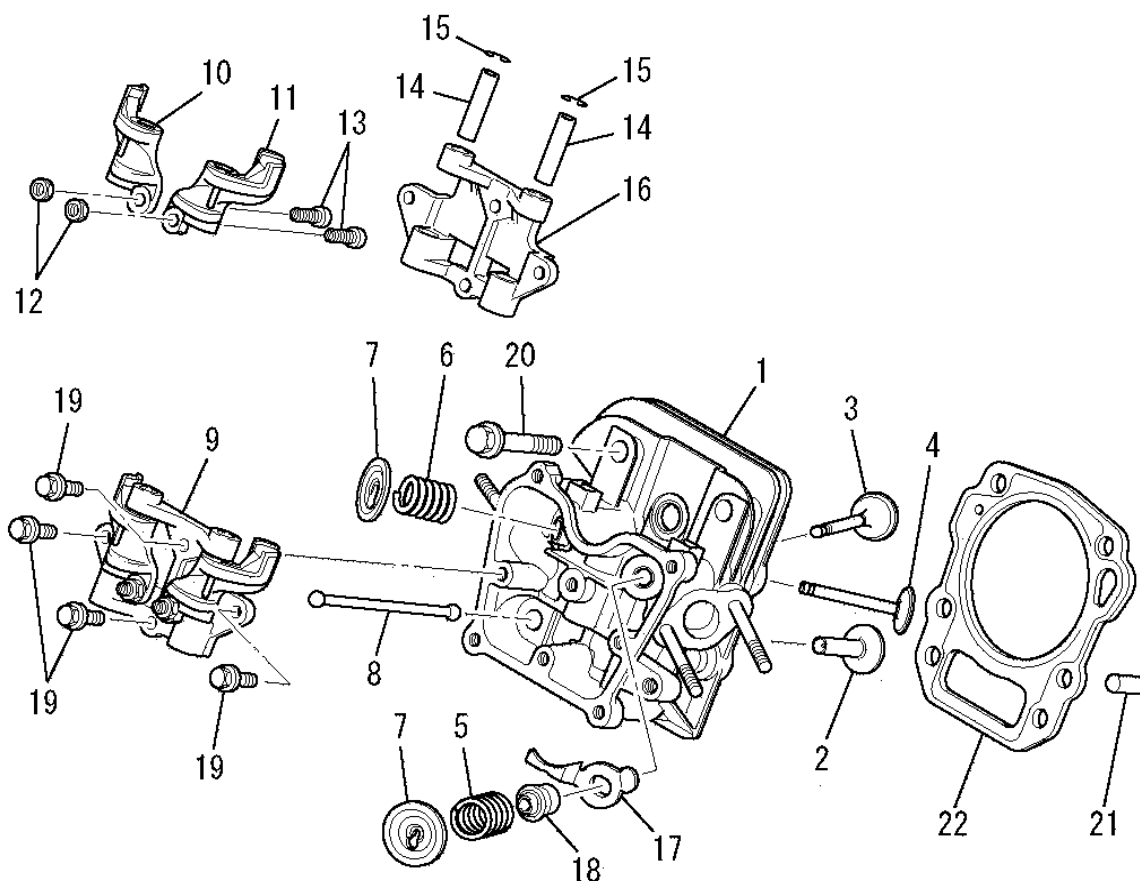
Page No.	No.	Parts No.	Page No.	No.	Parts No.
12	13	LG09010BA	22	3	LFA21533D
12	14	LB800A06016K	22	4	LW90023AA
13	1	LH27029AD	23	1	LW39081DA
13	2	LH40067CA	23	2	LC66015AA
13	3	LH90054AA	23	3	LW33007AA
13	4	LH90055BA	23	4	LW31015AA
13	5	LB800A06012	23	5	LW34029AA
14	1	LF04119AA	23	6	LW34029AA
14	2	LF05010CA	23	7	LM70040AA
14	3	LF40003AA	23	8	LM70041AA
14	4	LB800A06016			
14	5	LU70021AA			
15	1	LF31034AA			
15	2	LF40012AA			
15	3	LU70020AA			
15	4	LU70021BA			
15	5	LU12026AA			
16	1	LS02097AA			
16	2	LS30040CA			
16	3	LB800A06016K			
17	1	LM02140AA			
17	2	LM30022AA			
17	3	LN801A06			
17	4	LZZ70028C			
17	5	LM70040AA			
17	6	LM70041AA			
18	1	LR40031AA			
18	2	LU12025AA			
19	1	LB151B08020			
19	2	LG34033BA			
19	3	LH40073AA			
19	4	LFA28221			
19	5	LW006D04006K			
20	1	LE90315AA			
20	2	LE41014BA			
20	3	KE42027AA			
21	1	LW56109BA			
21	2	LW56315AA			
21	3	LW55081CB			
21	4	LW52315CA			
21	5	LW56316AA			
21	6	LW56254CA			
21	7	LF90139AA130			
21	8	LF90140AA135			
22	1	LN12004DA			
22	2	LN13001AA			

# (A) CYLINDER BLOCK GROUP



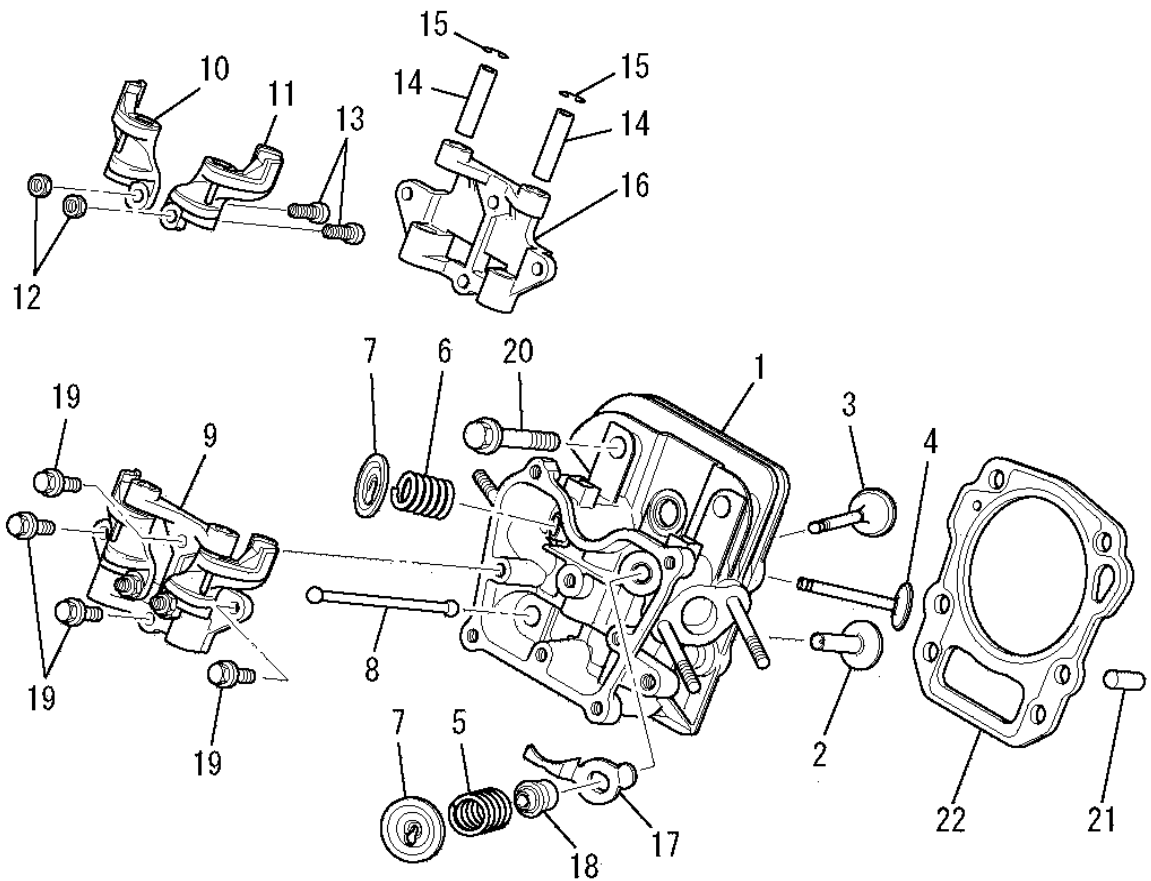
No.	R/N	Parts No.	Parts Name	No.Req'd	Inte	Remarks	Serial No.(From~To)
1		LB44013AA	CYLINDER BLOCK	1			
2		LG01003BA	GOVERNOR GEAR ASSY	1		INCL.NO.3	
3		LG14004AA	SLIDER,GOV	1			
4		LG22022AA	SHAFT,GOV	1			
5		LL22003AA	PLUG,DRAIN	2			
6		LW25011AA	OIL SEAL	1			
7		LW11024AA	BEARING,BALL	1			
8		LW200H06	WASHER	1			
9		LW39070AA	GASKET	2			

## (B) CYLINDER HEAD GROUP



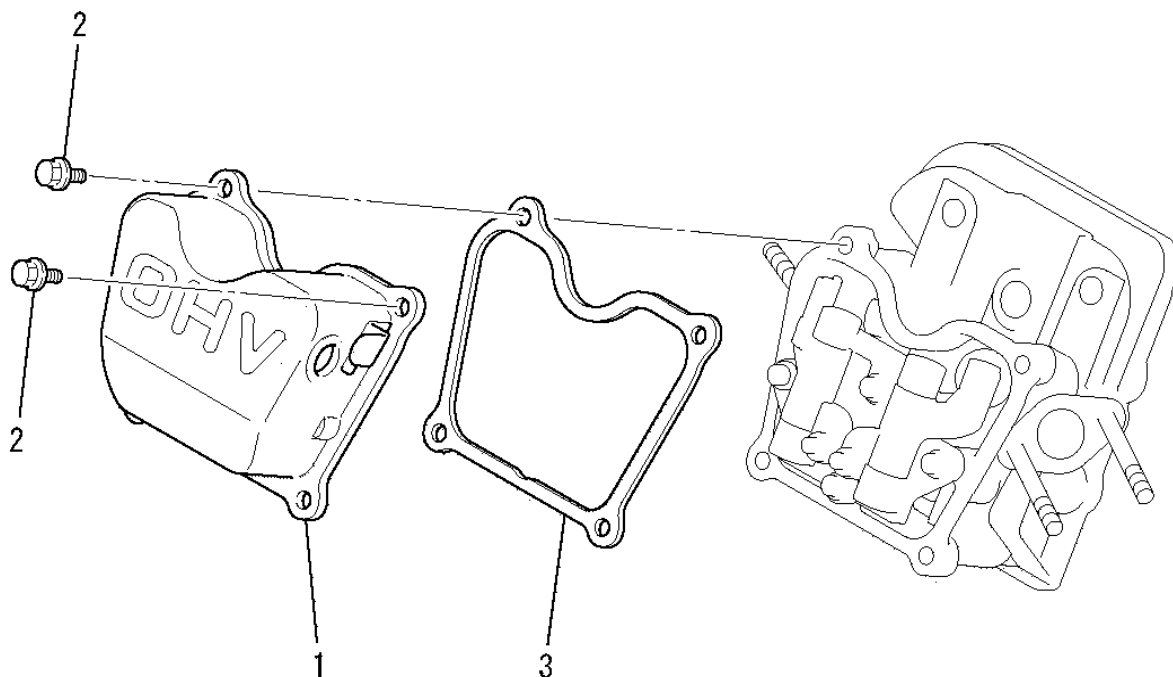
No.	R/N	Parts No.	Parts Name	No.Req'd	Inte	Remarks	Serial No.(From~To)
1		LC02056AA	CYLINDER HEAD ASSY	1		WITH LB151B06075	
2		LV24011AA	TAPPET	2			
3		LV34005AA	VALVE, INTAKE	1			
4		LV43007AA	VALVE, EXHAUST	1			
5		LV55009AA	SPRING, VALVE	1			
6		LV55008AA	SPRING, VALVE	1			
7		LV64004AA	RETAINER, VALVE SPG	2			
8		LV71010AA	ROD, PUSH	2			
9		LV02004BA	ROCKER ARM ASSY	1		INCL.NO.10-16	
10		LV72016AA	ARM, ROCKER	1			
11		LV72017AA	ARM, ROCKER	1			
12		LU23013AA	NUT	2			

## (B) CYLINDER HEAD GROUP



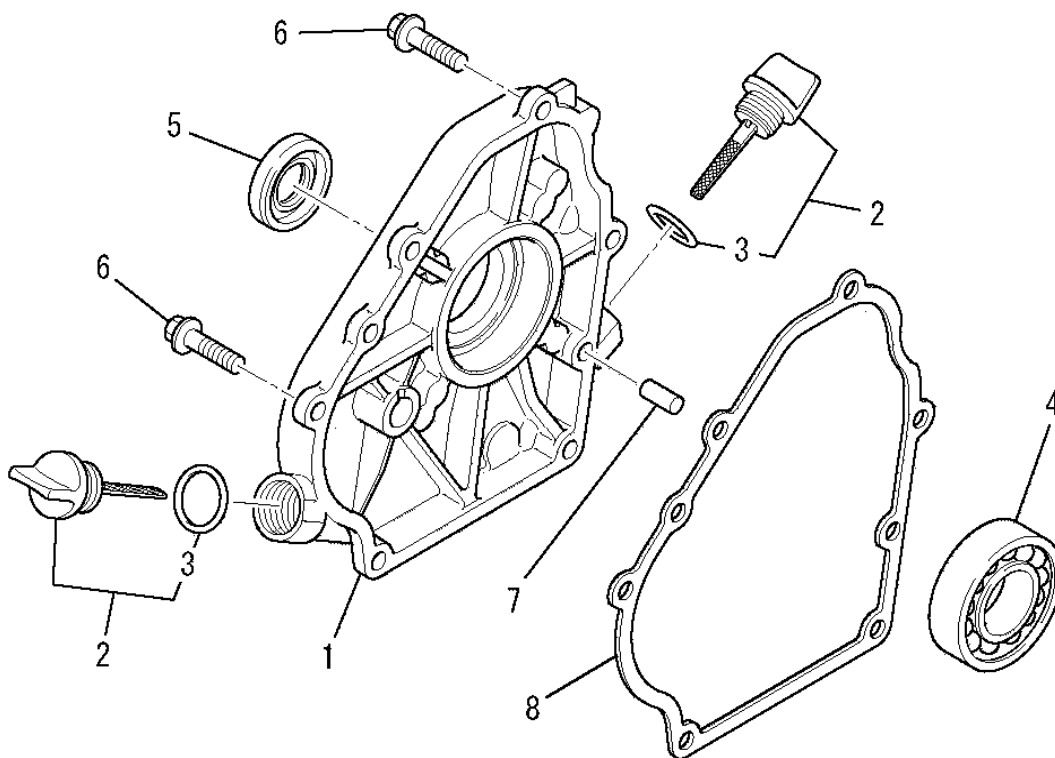
No.	R/N	Parts No.	Parts Name	No.Req'd	Inte	Remarks	Serial No.(From~To)
13		LV73005AA	SCREW, ADJUST	2			
14		LV75009BA	SHAFT	2			
15		LFR34111	CLIP, PISTON PIN	2			
16		LV74005AA	PLATE	1			
17		LV90016AA	PLATE	1			
18		LW21023AA	SEAL, VALVE STEM	1			
19		LB800A06016	BOLT, FLANGE	4			
20		LB800B08055	BOLT, FLANGE	4			
21		LU44001AA	PIN, DOWEL	2			
22		LC66015AA	GASKET, HEAD	1			

## (C) HEAD COVER GROUP



No.	R/N	Parts No.	Parts Name	No. Req'd	Inte	Remarks	Serial No. (From ~ To)
1		LC09014AA	COVER, HEAD	1			
2		LB800A06012	BOLT, FLANGE	4			
3		LW33007AA	GASKET, HEAD COVER	1			

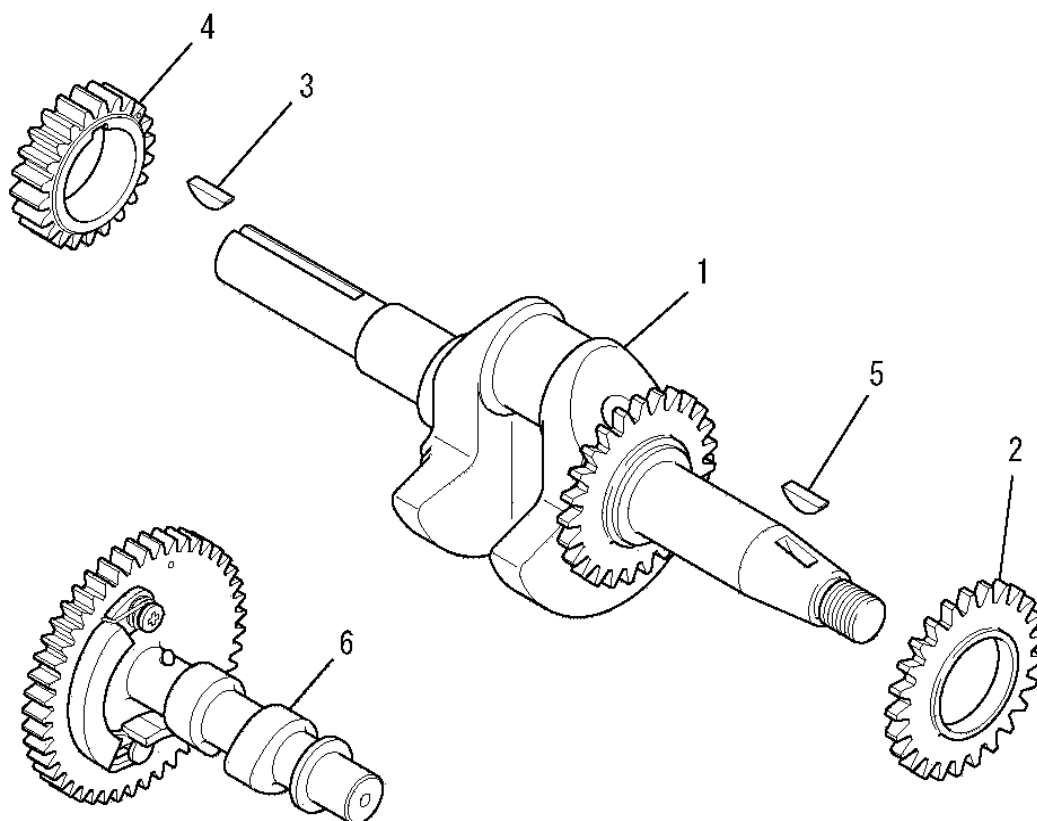
## (D) CASE COVER GROUP



No.	R/N	Parts No.	Parts Name	No. Req'd	Inte	Remarks	Serial No. (From ~ To)
1		LB64013FA	COVER, CRANKCASE	1			
2		LL21016BA	GAUGE, OIL	2		INCL. NO. 3	
3		LW23003AA	O-RING	2			
4		LW11019AA	BEARING, BALL	1			
5		LW25010AA	OIL SEAL	1			
6		LB800B08030	BOLT, FLANGE	6			
7		LU44001AA	PIN, DOWEL	2			
8		LW31015AA	GASKET, CRANKCASE	1			

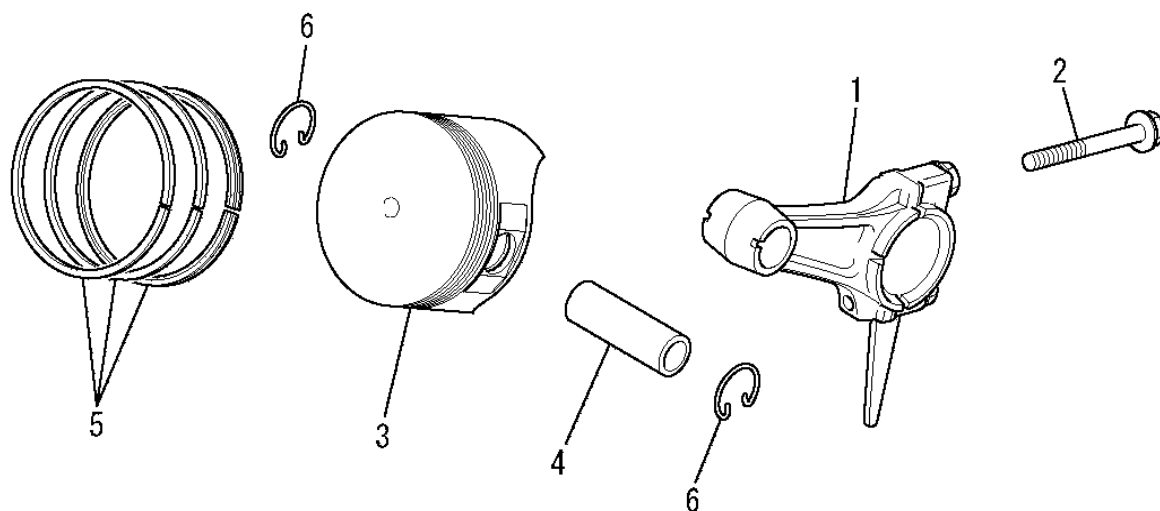


## (E) CRANKSHAFT GROUP



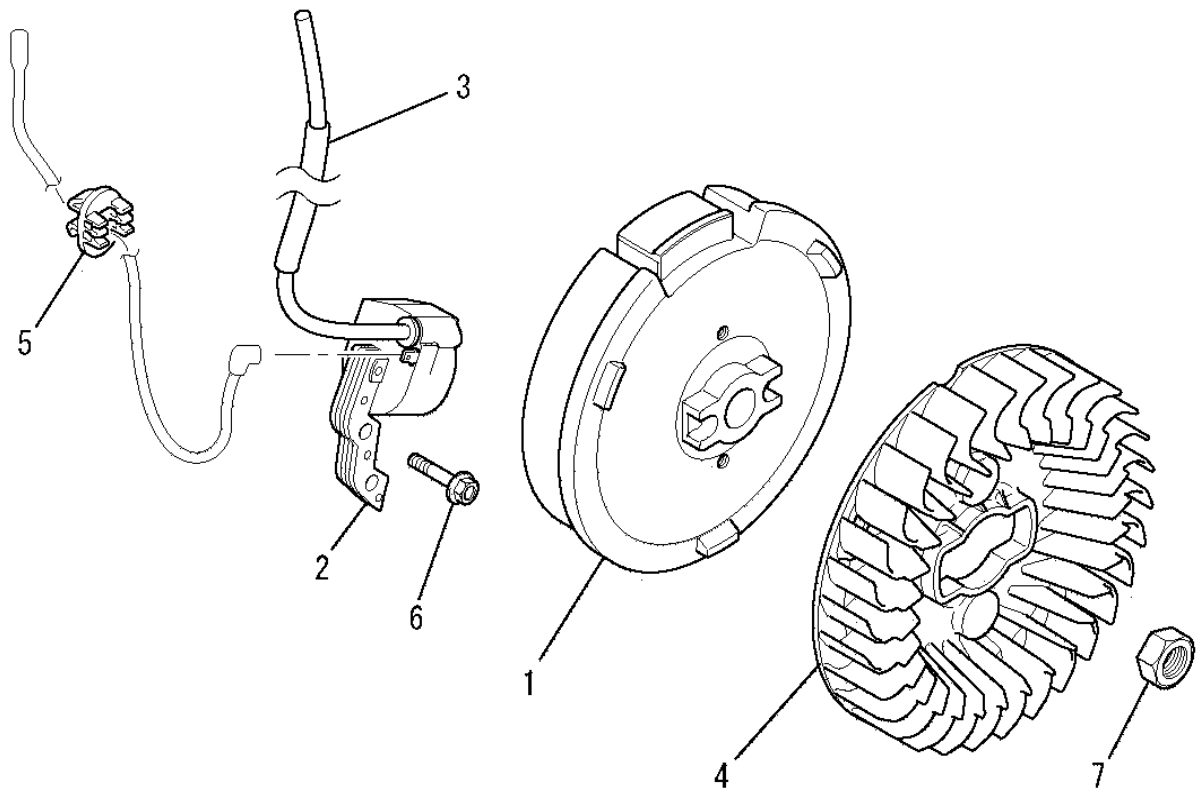
No.	R/N	Parts No.	Parts Name	No.Req'd	Inte	Remarks	Serial No.(From~To)
1		LD02063FA	CRANKSHAFT ASSY	1		INCL.NO.2,3	
2		LD63049AA	GEAR	1			
3		LW430B05X016	KEY,WOODRUFF	1			
4		LD63046AA	GEAR,CRANKSHAFT	1			
5		LW430B05X016	KEY,WOODRUFF	1			
6		LV01201AA	CAMSHAFT GEAR ASSY	1			

# (F) PISTON & ROD GROUP



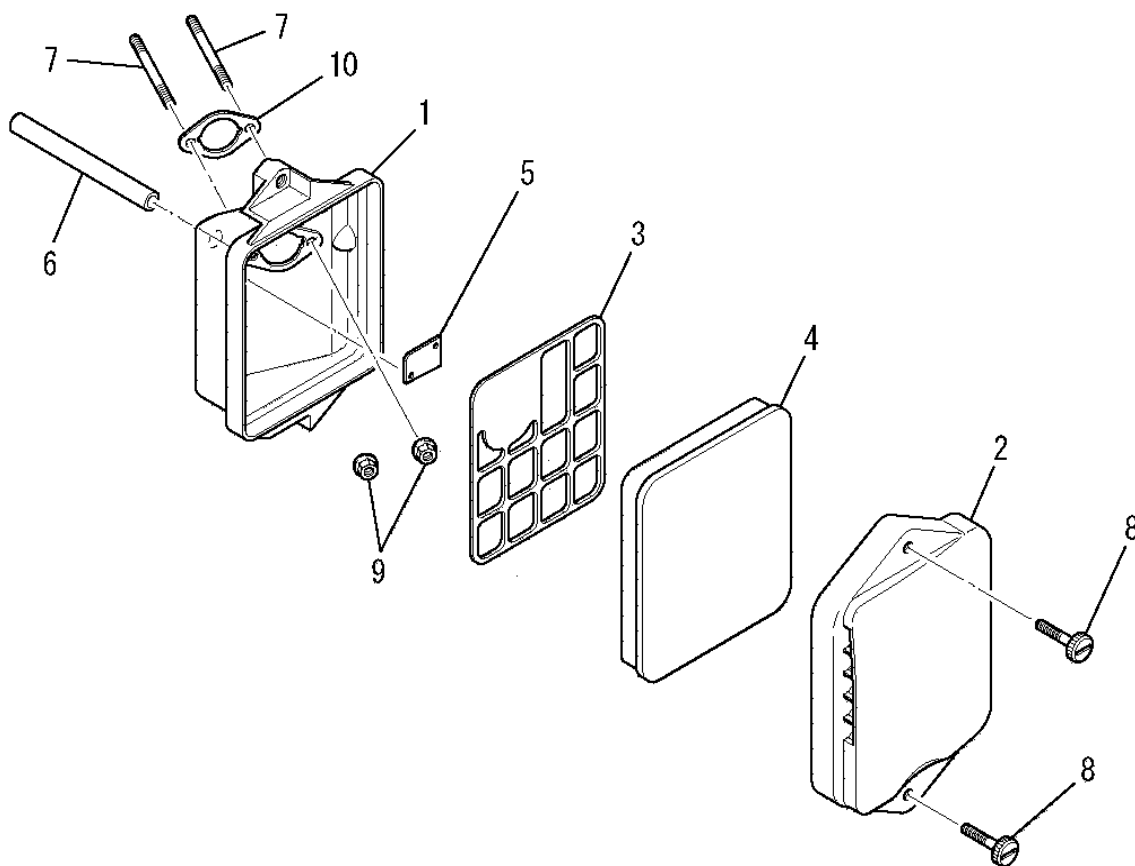
No.	R/N	Parts No.	Parts Name	No.Req'd	Inte	Remarks	Serial No.(From~To)
1		LD03031AA	CONNECTING ROD ASSY	1		STD INCL.NO.2	
1	1	LD03031BA	CONNECTING ROD ASSY	1		US 0.25 INCL.NO.2	
1	2	LD03031CA	CONNECTING ROD ASSY	1		US 0.50 INCL.NO.2	
2		LB800B06030	BOLT,FLANGE	2			
3		LP16007AA	PISTON	1		STD	
3	1	LP16007BA	PISTON	1		OS 0.25	
3	2	LP16007CA	PISTON	1		OS 0.50	
4		LP55001BA	PIN,PISTON	1			
5		LP02016AA	PISTON RING SET	1		STD	
5	1	LP02016BA	PISTON RING SET	1		OS 0.25	
5	2	LP02016CA	PISTON RING SET	1		OS 0.50	
6		LP90003AA	CLIP,PISTON PIN	2			

# (G) MAGNETO GROUP



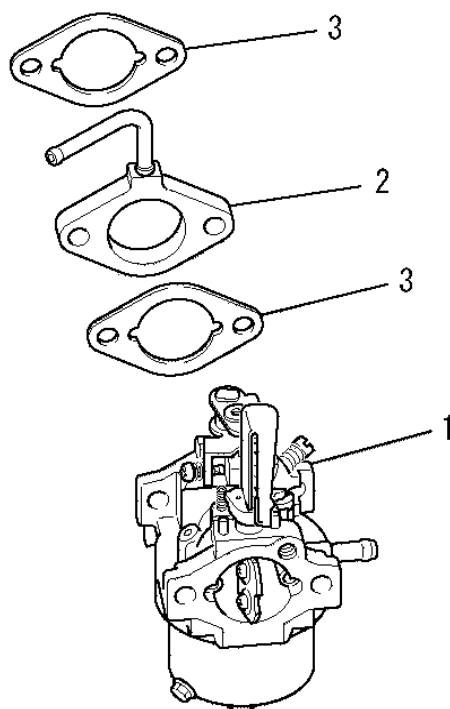
No.	R/N	Parts No.	Parts Name	No. Req'd	Inte	Remarks	Serial No. (From ~ To)
1		LE12038AA	FLYWHEEL	1			
2		LE24020AA	COIL, IGNITION	1			
3		LE90073BA	TUBE	1			
4		LE90202AA	FAN	1			
5		LU70007AA	CLIP	1			
6		LB800A06020	BOLT, FLANGE	2			
7		LFR41231	NUT	1			

## (H) AIR CLEANER GROUP



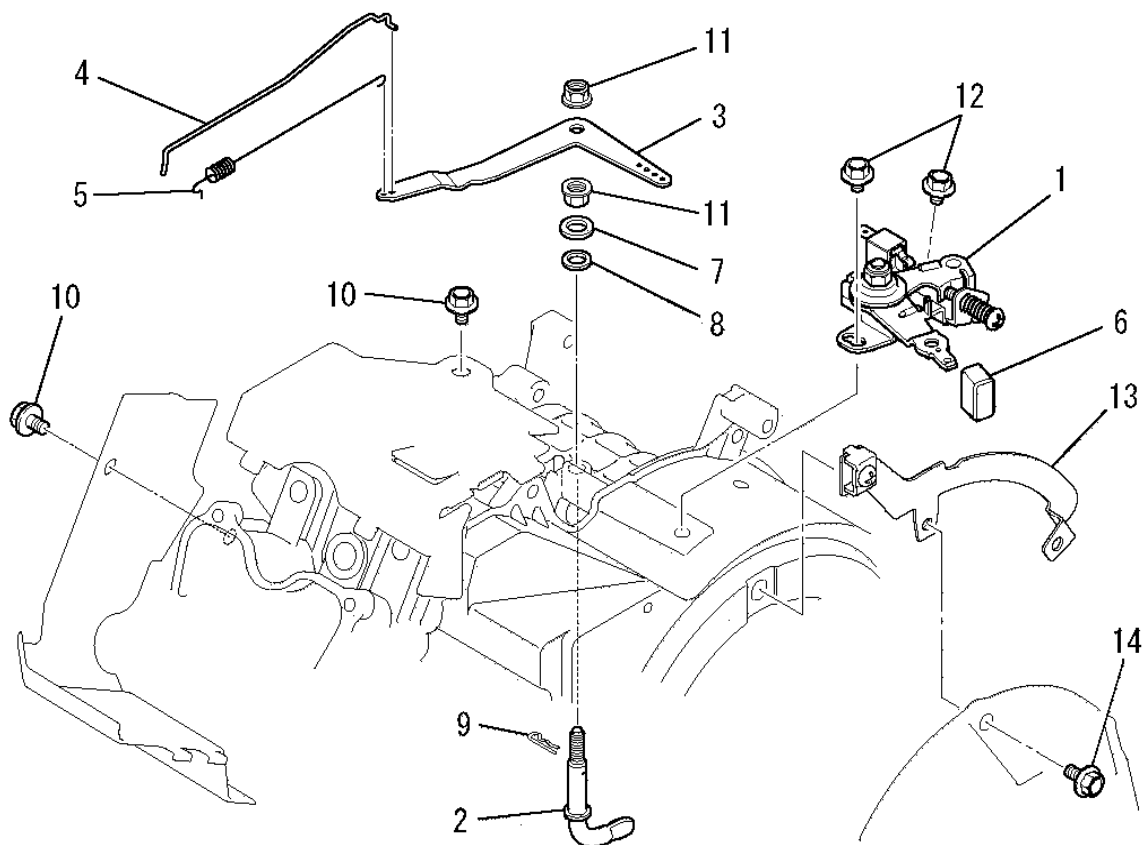
No.	R/N	Parts No.	Parts Name	No.Req'd	Inte	Remarks	Serial No.(From~To)
1		LA11022AA	CASE , CLEANER	1			
2		LA20070AA	COVER , CLEANER	1			
3		LA30024BA	GRID	1			
4		LA40074AA	ELEMENT , CLEANER	1			
5		LA90122AA	PLATE	1			
6		LL41005BA	TUBE , BREATHER	1			
7		LB151B06075	BOLT , STUD	2			
8		LA90124AA	BOLT	2			
9		LN801A06	NUT , FLANGE	2			
10		LW34029AA	GASKET , CARBURETOR	1			

# (I) CARBURETOR GROUP



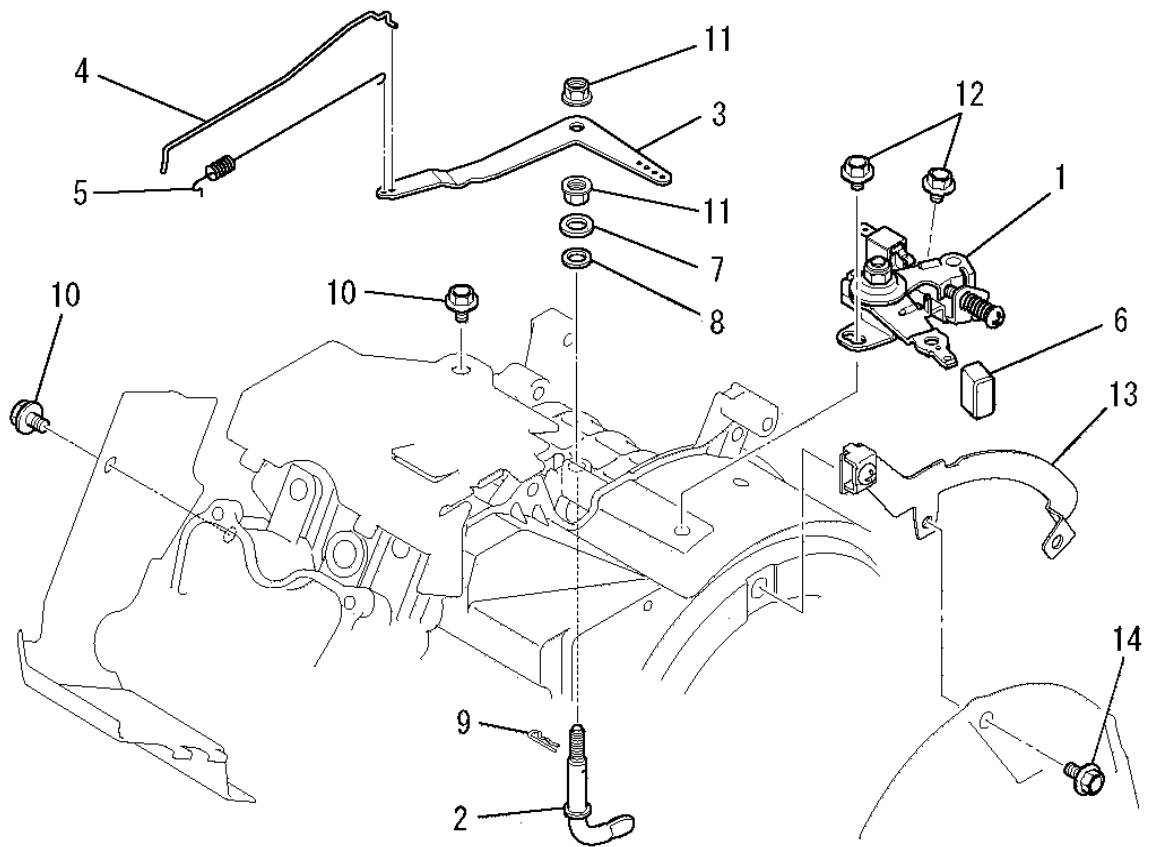
No.	R/N	Parts No.	Parts Name	No.Req'd	Inte	Remarks	Serial No.(From~To)
1		LK13039EB	CARBURETOR(F)	1			
2		LK32008AA	INSULATOR	1			
3		LW34029AA	GASKET ,CARBURETOR	2			

# (J) CONTROL PANEL GROUP



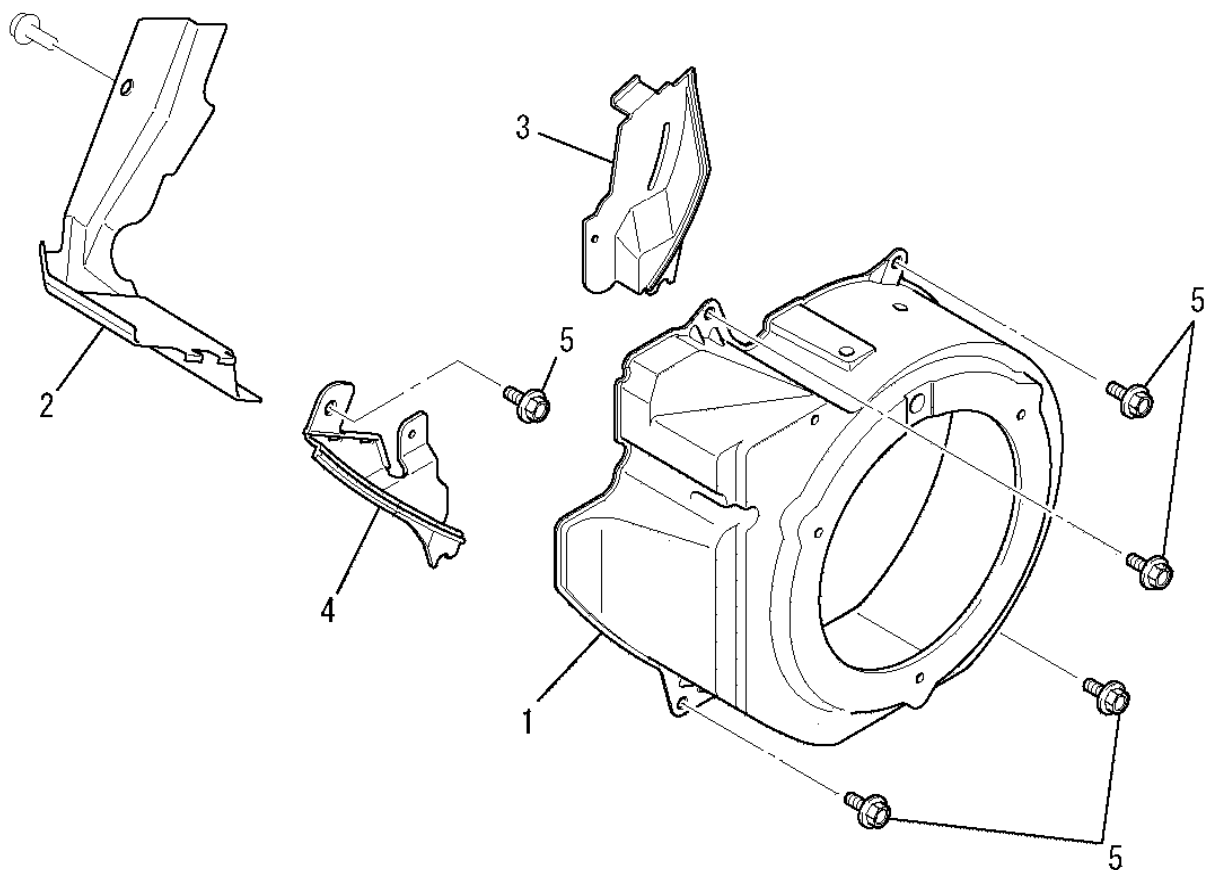
No.	R/N	Parts No.	Parts Name	No.Req'd	Inte	Remarks	Serial No.(From~To)
1		LG03056AA	CONTROL PANEL ASSY	1			
2		LG22018AA	SHAFT, GOV	1			
3		LG31030AA	LEVER, GOV	1			
4		LG41023AA	ROD, GOV	1			
5		LG42024AA	SPRING, ROD	1			
6		LG90014AA	CAP	1			
7		LG90015AA	WASHER	1			
8		LG90016AA	SEAL, DUST	1			
9		LU70006AA	CLIP	1			
10		LB800A06012	BOLT, FLANGE	2			
11		LFR42734	NUT, FLANGE	2			
12		LB800A06008K	BOLT, FLANGE	2			

# (J) CONTROL PANEL GROUP



No.	R/N	Parts No.	Parts Name	No.Req'd	Inte	Remarks	Serial No.(From~To)
13		LG09010BA	PANEL,REMOTE	1			
14		LB800A06016K	BOLT,FLANGE	1			

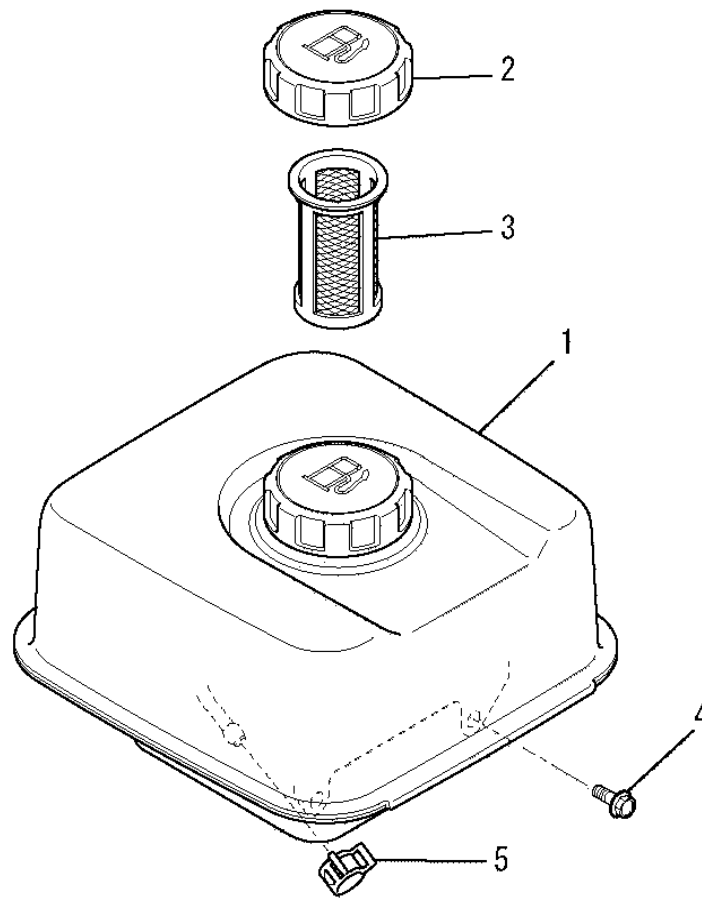
# (K) FAN COVER GROUP



No.	R/N	Parts No.	Parts Name	No. Req'd	Inte	Remarks	Serial No. (From ~ To)
1		LH27029AD	COVER, FAN	1			
2		LH40067CA	COVER, CYLINDER	1			
3		LH90054AA	COVER	1			
4		LH90055BA	COVER	1			
5		LB800A06012	BOLT, FLANGE	5			

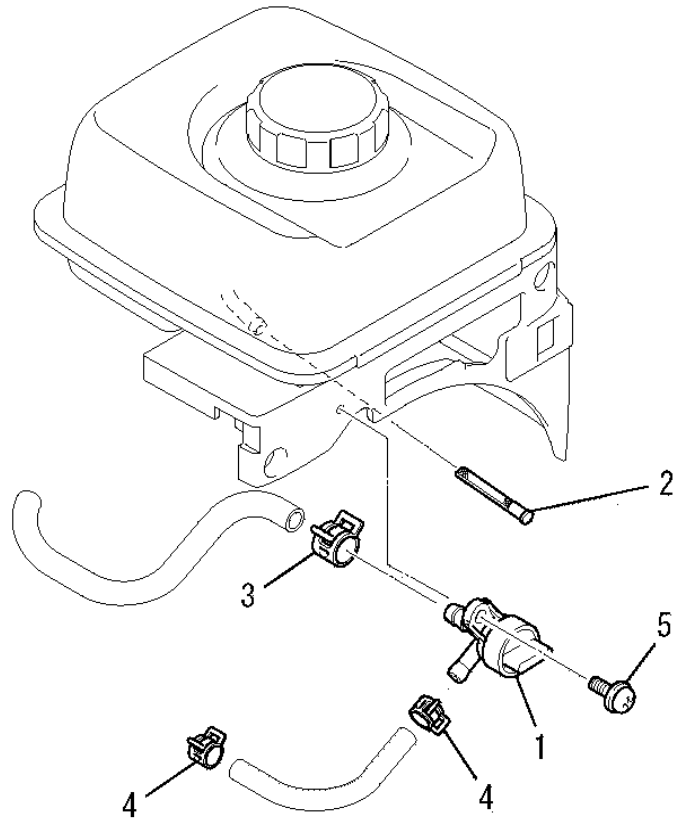


# (M) TANK GROUP



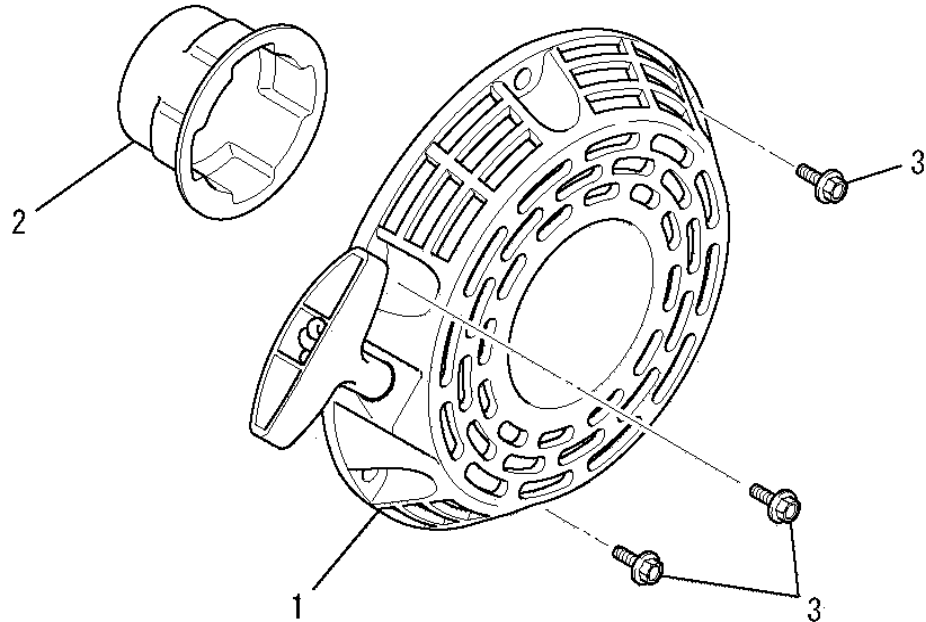
No.	R/N	Parts No.	Parts Name	No. Req'd	Inte	Remarks	Serial No. (From ~ To)
1		LF04119AA	FUEL TANK ASSY	1		INCL. NO. 2, 3	
2		LF05010CA	TANK CAP ASSY	1			
3		LF40003AA	FILTER, FUEL	1			
4		LB800A06016	BOLT, FLANGE	4			
5		LU70021AA	CLIP	1			

# (N) COCK GROUP



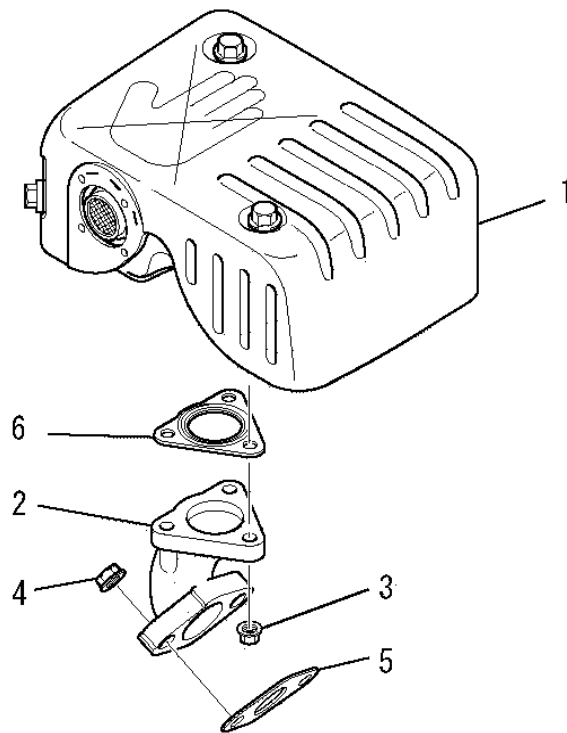
No.	R/N	Parts No.	Parts Name	No. Req'd	Inte	Remarks	Serial No. (From ~ To)
1		LF31034AA	COCK, FUEL	1			
2		LF40012AA	FILTER, FUEL	1			
3		LU70020AA	CLIP	1			
4		LU70021BA	CLIP	2			
5		LU12026AA	TAP-SCREW	1			

# (R) RECOIL STARTER GROUP



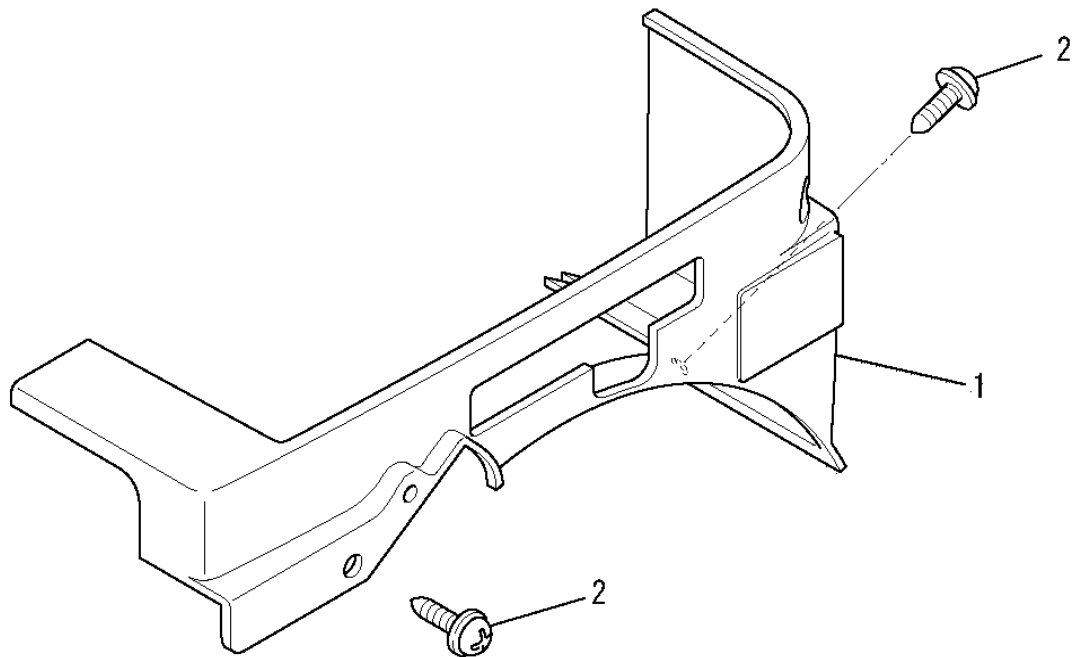
No.	R/N	Parts No.	Parts Name	No. Req'd	Inte	Remarks	Serial No. (From ~ To)
1		LS02097AA	RECOIL STARTER ASSY	1		INCL. NO. 2	
2		LS30040CA	PULLEY, STARTER	1			
3		LB800A06016K	BOLT, FLANGE	3			

# (S) MUFFLER GROUP



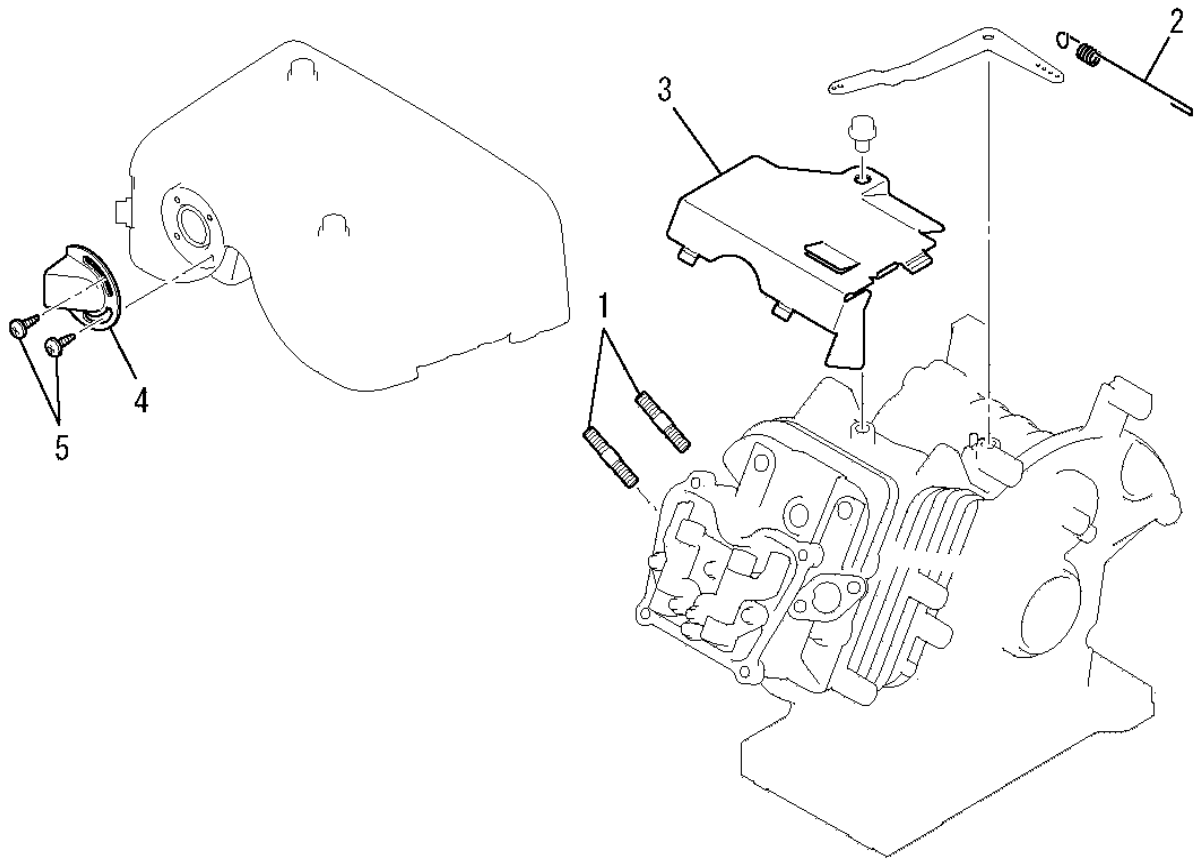
No.	R/N	Parts No.	Parts Name	No.Req'd	Inte	Remarks	Serial No.(From~To)
1		LM02140AA	MUFFLER ASSY	1			
2		LM30022AA	PIPE ,EXHAUST	1			
3		LN801A06	NUT ,FLANGE	3			
4		LZZ70028C	NUT ,CONICAL SPG	2			
5		LM70040AA	GASKET ,MUFFLER	1			
6		LM70041AA	GASKET ,MUFFLER	1			

# (X) COVER GROUP



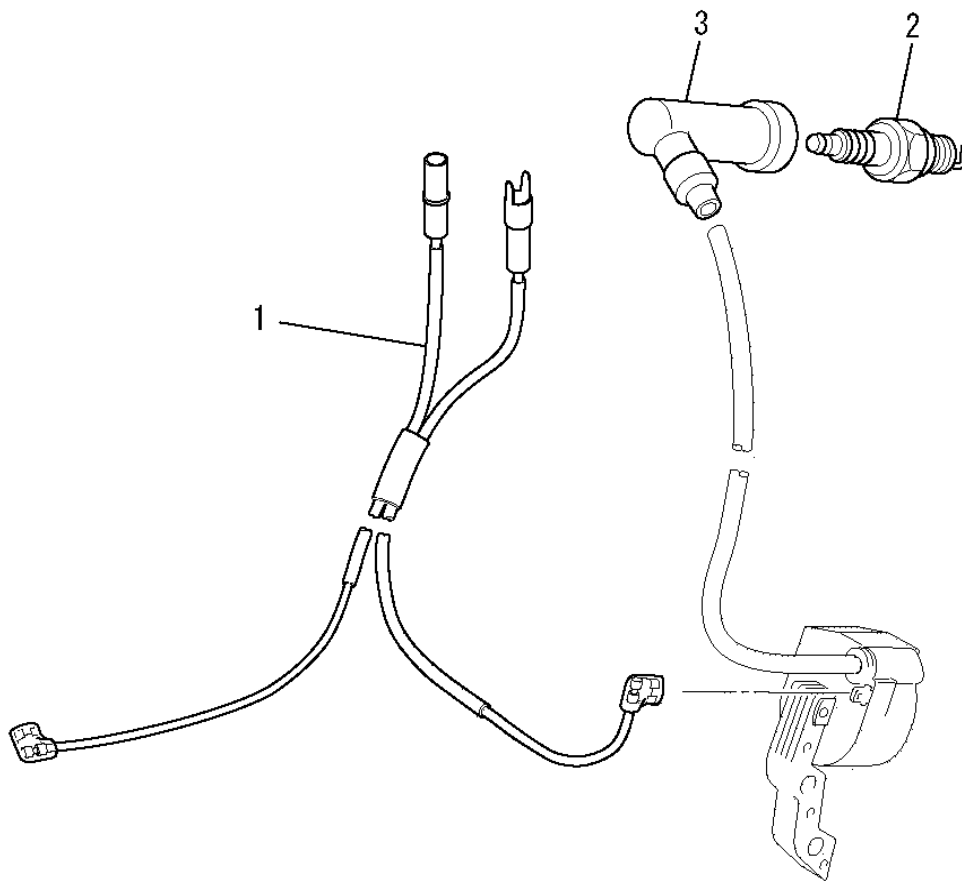
No.	R/N	Parts No.	Parts Name	No.Req'd	Inte	Remarks	Serial No.(From~To)
1		LR40031AA	COVER,FRONT	1			
2		LU12025AA	TAP-SCREW	2			

# 1. BOLT, SPRING, COVER



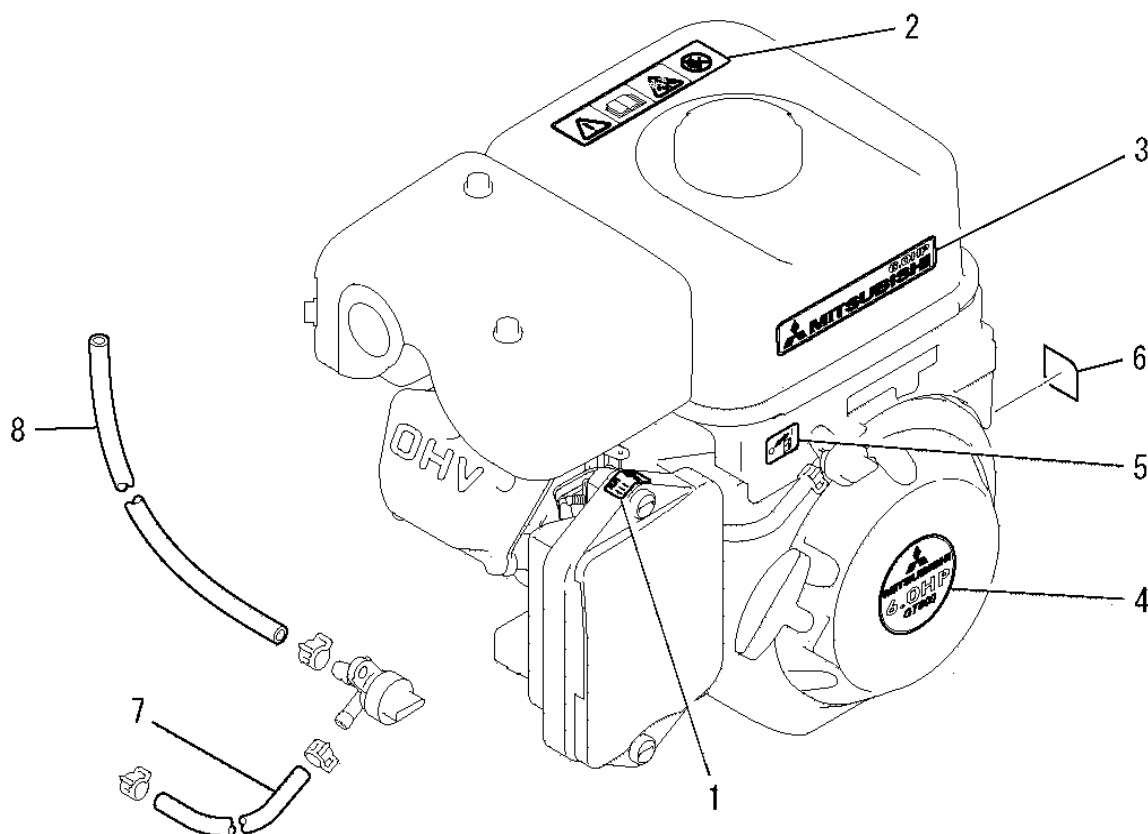
No.	R/N	Parts No.	Parts Name	No.Req'd	Inte	Remarks	Serial No.(From~To)
1		LB151B08020	BOLT,STUD	2			
2		LG34033BA	SPRING,GOV	1			
3		LH40073AA	COVER, TOP	1			
4		LFA28221	PIPE, TAIL	1			
5		LW006D04006K	SCREW	2			

## 2.LEAD WIRE, PLUG, CAP



No.	R/N	Parts No.	Parts Name	No.Req'd	Inte	Remarks	Serial No.(From ~ To)
1		LE90315AA	WIRE ,LEAD	1			
2		LE41014BA	PLUG ,SPARK	1			
3		KE42027AA	CAP ,PLUG	1			

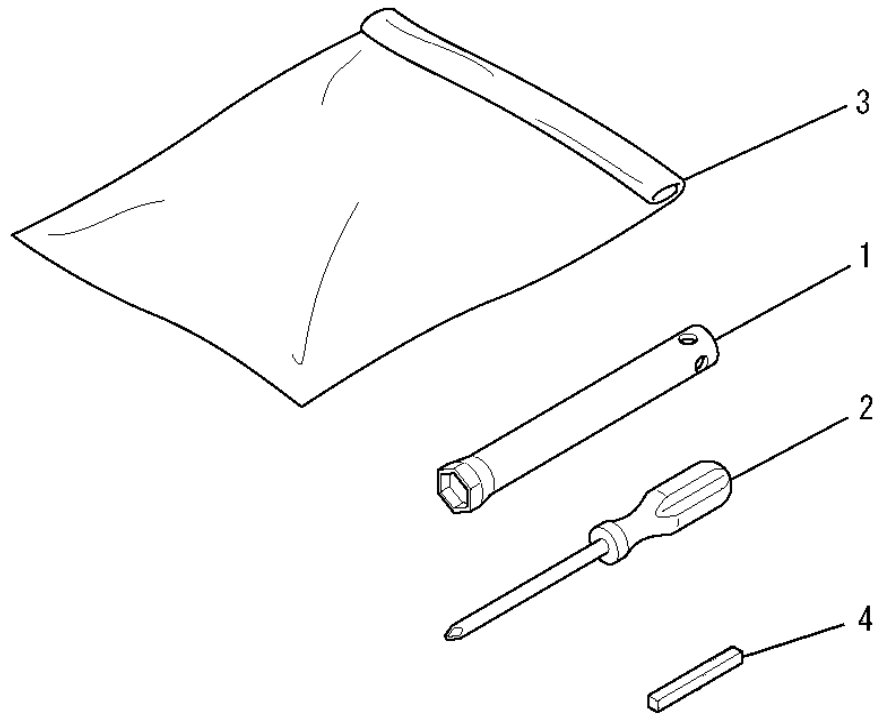
### 3. LABEL , FUEL HOSE



No.	R/N	Parts No.	Parts Name	No.Req'd	Inte	Remarks	Serial No.(From ~ To)
1		LW56109BA	LABEL , CHOKE	1			
2		LW56315AA	LABEL , CAUTION	1			
3		LW55081CB	LABEL	1			
4		LW52315CA	LABEL , NAME	1			
5		LW56316AA	LABEL	1			
6		LW56254CA	LABEL	1			
7		LF90139AA130	HOSE , FUEL	1			
8		LF90140AA135	HOSE , FUEL	1			

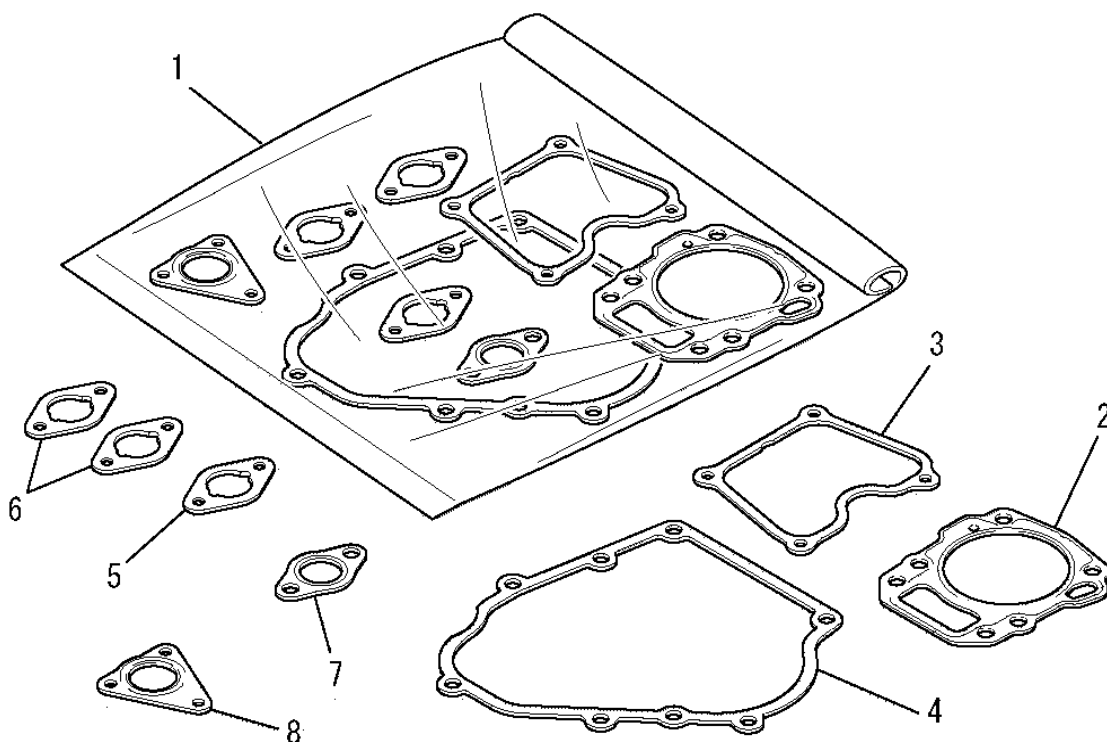


# 4. TOOL SET



No.	R/N	Parts No.	Parts Name	No. Req'd	Inte	Remarks	Serial No. (From ~ To)
1		LN12004DA	SPANNER, BOX	1			
2		LN13001AA	DRIVER, SCREW	1			
3		LFA21533D	BAG, TOOL	1			
4		LW90023AA	KEY, SUNK	1			

## 5. GASKET SET



No.	R/N	Parts No.	Parts Name	No. Req'd	Inte	Remarks	Serial No. (From ~ To)
1		LW39081DA	GASKET SET	1		INCL. NO. 2-8	
2		LC66015AA	GASKET, HEAD	1			
3		LW33007AA	GASKET, HEAD COVER	1			
4		LW31015AA	GASKET, CRANKCASE	1			
5		LW34029AA	GASKET, CARBURETOR	1			
6		LW34029AA	GASKET, CARBURETOR	2			
7		LM70040AA	GASKET, MUFFLER	1			
8		LM70041AA	GASKET, MUFFLER	1			