



**A member of the Turfmech group**



—— Grounds Care Machinery ——

**C34''**

**OPERATOR & PARTS MANUAL**  
**For Serial number C34/5-13-001 onwards**  
(AM81593 Issue F Mar 2015)

**English version**

Turfmech Machinery Limited  
Hangar 5, New Road, Hixon, Stafford, ST18 0PJ, United Kingdom  
Tel: +44 (0) 1889 271503  
Fax: +44 (0) 1889 271321

Sales@turfmech.co.uk  
www.turfmech.co.uk

For Allett spare parts  
Tel: +44 (0) 1889 272095  
Fax: +44 (0) 1889 271321

Sales@allett.co.uk  
www.allett.co.uk

READ THIS MANUAL BEFORE USING AN ALLETT C34 CYLINDER MOWER.

YOUR SAFETY IS INVOLVED

IT IS ESSENTIAL THAT OPERATORS STUDY THIS DOCUMENT FOR THEIR OWN SAFETY.

# Contents

- 1.0 Introduction
  - 1.1 Model type and serial number
- 2.0 Pictograms and Decals
- 3.0 Safety notes
- 4.0 Assembly
- 5.0 Operating controls
- 6.0 Using your mower
  - 6.1 Starting
  - 6.2 Stopping
  - 6.3 Adjusting the bottom blade - setting "on cut"
  - 6.4 Height of cut adjustment
  - 6.5 Engaging drive to the cylinder/cartridge
  - 6.6 Engaging drive to the land roll
  - 6.7 Park brake
  - 6.8 Mowing
  - 6.9 Removing and replacing a cartridge
- 7.0 Maintenance
  - 7.1 Adjusting land drive and cylinder cables
  - 7.2 Checking the engine oil
  - 7.3 General engine maintenance
  - 7.4 Fuel
  - 7.5 Grease points
  - 7.6 Bottom blade grinding angles
  - 7.7 Inspection of safety critical components
  - 7.8 Maintenance schedule
- 8.0 Making adjustments to your mower
  - 8.1 Front roller scraper
  - 8.2 Floating handle bars
  - 8.3 Delivery plate and fins
- 9.0 Vibration reduction
- 10.0 Declaration of conformity
- 11.0 Fault finding when mowing
- 12.0 Specification
  - 12.1 Base machine specification
  - 12.2 Cartridge specification
- 13.0 Guarantee
- 14.0 Parts Section



# 1.0 Introduction

The C34 is designed predominantly as a lawn mower. However, the C34 base unit has the ability to accept a range of 34" interchangeable cartridges to cover a number of professional turf management tasks.

The base unit is powered by a petrol engine, it is self propelled via a belt and chain drive to the land roll. The land roll has an internal geared differential. Power is transferred to the cartridge by a toothed coupling and belt drive.

The C34 mower is designed for the management of high quality turf. Use in any way other than that stated is considered contrary to the intended use. Compliance and strict adherence to the conditions of operation, service and repair as specified in this manual also constitute essential elements of the intended use.

The way in which the C34mower is operated and maintained will have a profound effect on its performance and reliability.

A C34 mower should be operated, serviced and repaired only by persons who are familiar with its particular characteristics and who are familiar with the relevant safety procedures.

The safety precautions outlined in this manual and all other generally recognised regulations on safety must be observed at all times.

Any modifications carried out to an C34 mower will relieve Turfmech Machinery Limited of liability for any resulting damage or injury.

This manual is based on information available at the time of publication.

Turfmech Machinery Limited reserves the right to amend product specifications without prior notification.

## 1.1 Model type and serial number

The model can be found in two places:


1. On the top cover of the mower.
2. On the serial number plate located on the right side of the mower chassis.

The serial number can be found on the serial plate.

**Please enter your information below**

Model:

Serial Number:

<b>TURFMECH MACHINERY LTD.</b>		
Hanger 5, Hixon, Staffordshire, U.K ST18 0PJ Tel: 01889271503 www.turfmech.co.uk		
MODEL	<input type="text"/>	
SERIAL No.	<input type="text"/>	
YEAR OF MAN'F	<input type="text"/>	UNLADEN WEIGHT Kg <input type="text"/>

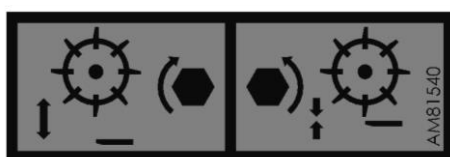
## 2.0 Pictograms and Decals



Refer to manual before carrying out maintenance, Engine On/Off switch, Read manual before starting



Guaranteed Sound power level emitted by the mower



Bottom blade to cylinder adjustment



Flying debris, keep bystanders away. Warning, sharp blades, do not touch rotating blades. The blades continue to rotate after the mower is switched off

## 3.0 Safety notes

Read these instructions carefully, be familiar with the controls and the proper use of the lawnmower. Learn how to stop the lawnmower quickly in an emergency.

Never allow children or people unfamiliar with these instructions to use the lawnmower. Local regulations may restrict the age of the operator.

Never mow while people, especially children or pets are nearby

Never pick up or carry the lawnmower while the motor is running.

Keep in mind that the operator or user is responsible for accidents or hazards occurring to other people or their property.

Whilst mowing, always wear substantial footwear and long trousers. Do not operate the equipment when barefoot or wearing open sandals.

Wear appropriate protective clothing and equipment when you are operating the lawnmower, such as safety glasses, long trousers, substantial footwear and ear protection. Long hair, loose clothing or jewellery can get tangled in moving parts.

Thoroughly inspect the area where the lawn mower is to be used and remove all objects that may be thrown by the machine.

**WARNING** - petrol is highly flammable.

- Store fuel in containers especially designed for this purpose
- Refuel outdoors only and do not smoke while refuelling
- Add fuel before starting the engine. Never remove the cap of the fuel tank or add petrol whilst --the engine is running or the engine is hot.

- If petrol is spilt, do not attempt to start the engine but move the machine away from the area of spillage and avoid creating any source of ignition until petrol vapours have dissipated.
- Replace the fuel tank and container caps securely
- Replace faulty silencers
- Do not operate the engine in a confined space where dangerous carbon monoxide fumes can collect.
- Before using, always visually inspect to see that the cartridge is not worn or damaged.

Mow only in daylight or in good artificial light.  
 Avoid operating the lawnmower in wet grass, where feasible.  
 Always be sure of your footing on slopes.  
 Walk, never run.  
 Mowing on banks can be dangerous:

- Mow across the face of slopes – never up and down.
- Be particularly careful of your footing on slopes or wet grass.

Exercise extreme caution when changing direction on slopes.  
 Do not mow excessively steep slopes.

- Use extreme caution when stepping back or pulling the lawnmower towards you.

Stop the blades if the lawnmower has to be tilted for transportation when crossing surfaces other than grass and when transporting the lawnmower to and from the area to be mowed.  
 Do not tilt the lawnmower when starting, except if the lawnmower has to be tilted for starting in long grass or when using a cartridge set to work below the surface. In this case, do not tilt it more than absolutely necessary and lift only the part which is away from the operator. Always ensure that both hands are in the operating position returning the mower to the ground.  
 Never operate the lawnmower with defective guards or without the safety devices, for example deflectors and grass catchers in place.  
 Do not change the engine governor settings or overspeed the engine. Operating an engine at excessive speed may increase the hazard of personal injury.  
 Disengage all blade drive clutches before starting the engine  
 Start the engine carefully according to instructions and with feet well away from the blades. Do not tilt the mower when starting. Keep clear of the discharge opening at all times. Never pick up or carry a lawnmower while the engine is running.  
 Do not put hands or feet near or under rotating parts while the lawnmower is being operated.  
 Stop the engine and disconnect the spark plug lead:

- Before checking, cleaning or working on the lawnmower
- After striking a foreign object, inspect the lawnmower for damage and make repairs before restarting and operating the lawnmower.
- If the lawn mower starts to vibrate abnormally (check immediately).
- Before making height of cut adjustment

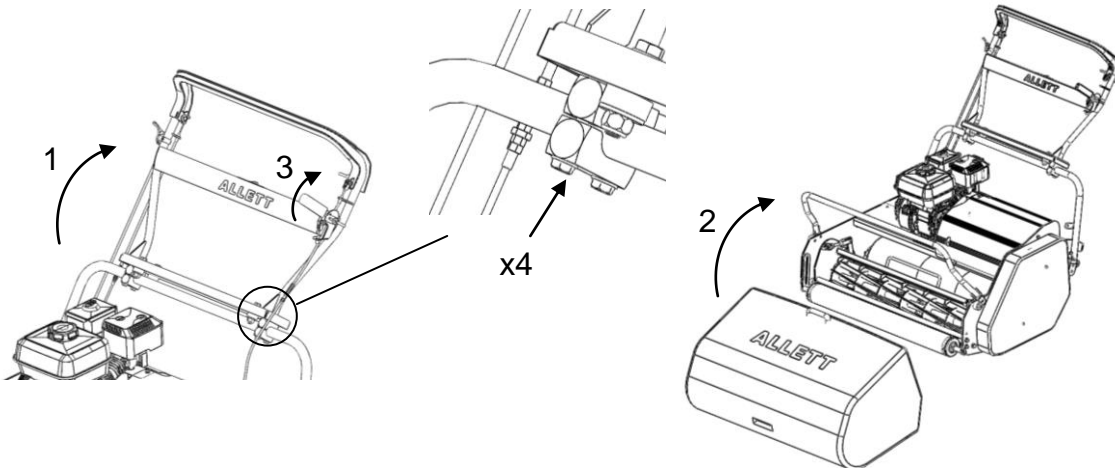
Stop the engine:

- Whenever you leave the machine
- Before refuelling
- Before checking blockages
- Before making a height of cut adjustment

Reduce the throttle setting during engine shut-down and turn the fuel off at the conclusion of mowing.  
 Keep all nuts, bolts and screws tight to be sure that the lawnmower is in safe working condition.  
 Never store the lawnmower with petrol in the tank inside a building where fumes may reach an open flame or spark.  
 Allow the engine to cool before starting in any enclosure.  
 To reduce the fire hazard, keep the engine, silencer and fuel storage area free of grass, leaves or excessive grease.  
 Check the grassbox frequently for wear or deterioration.  
 Replace worn or damaged parts for safety.  
 Go slow when using a trailing seat, especially when cornering.  
 If the fuel tank has to be drained, this should be done outdoors.  
 Be careful during the adjustment of the lawnmower to prevent entrapment of the feet and hands between moving blades and fixed parts of the lawnmower.  
 Ensure replacement parts fitted are manufacturer's original or approved by the manufacturer.

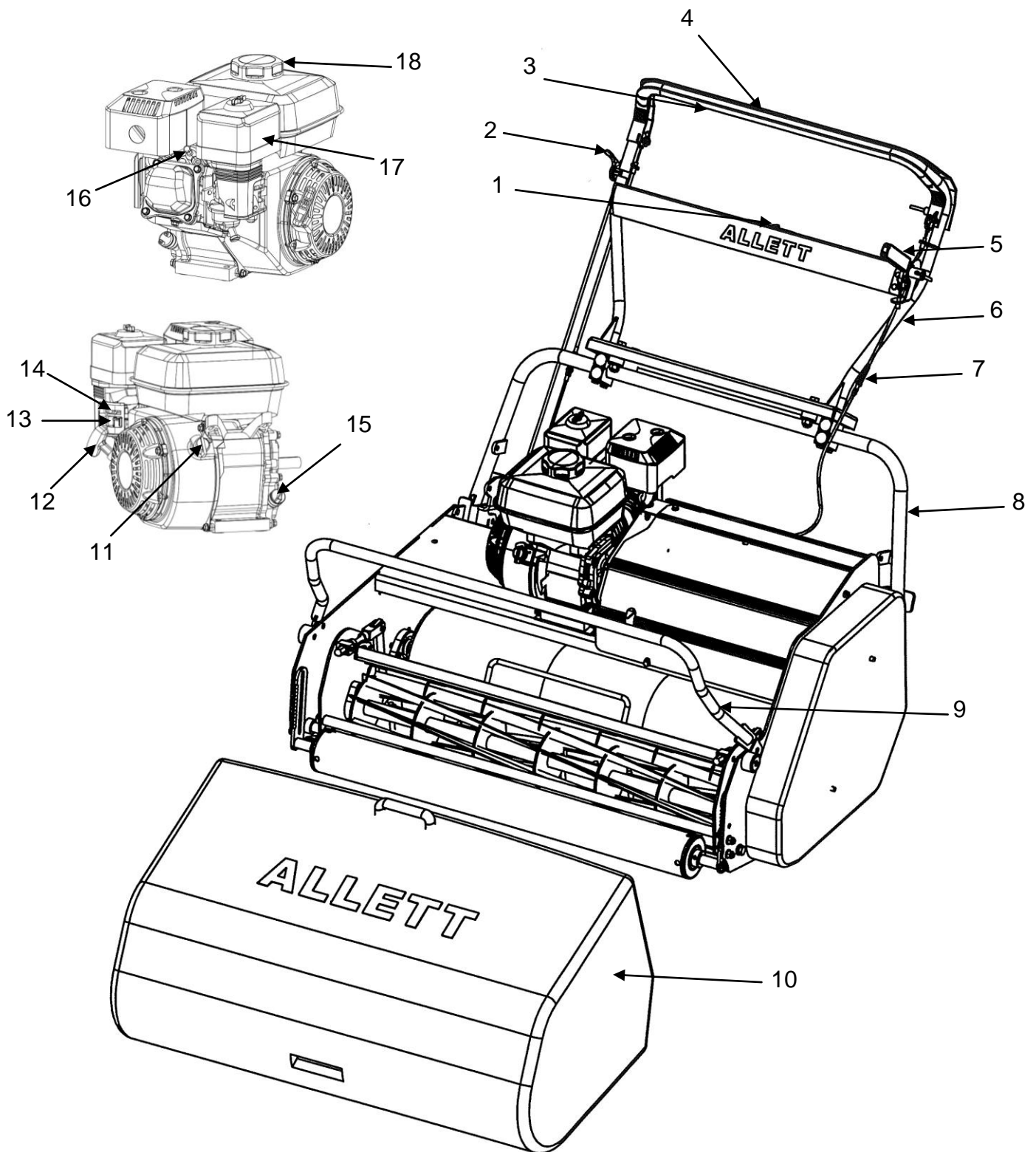
## 4.0 Assembly

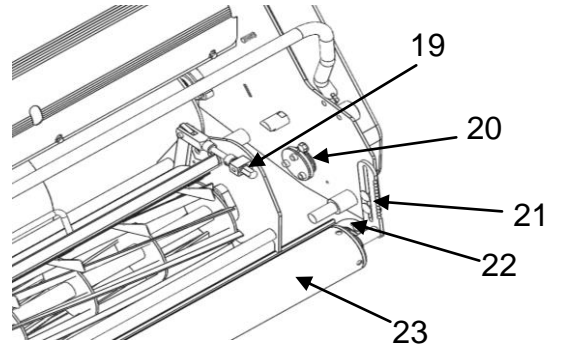
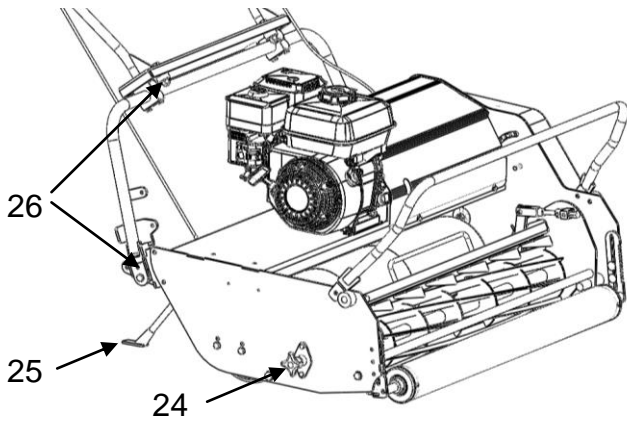
- 1) Fold handles back to a comfortable operator height and tighten 4 bolts
- 2) Fold down grass box cradle and fit grass box
- 3) Release the handbrake





## 5.0 Operating controls

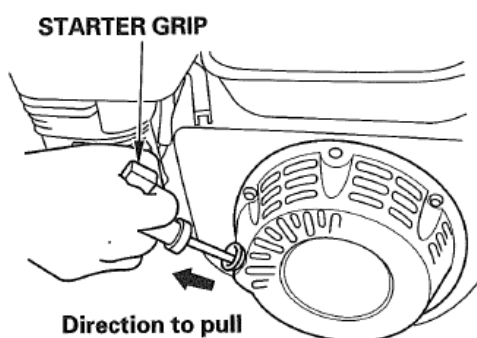
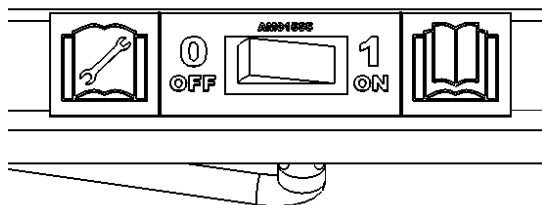
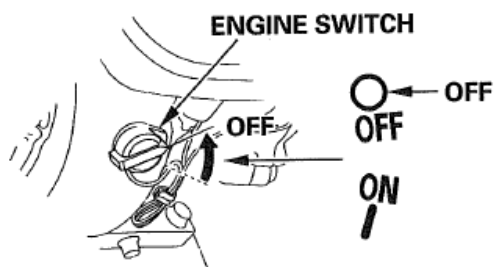
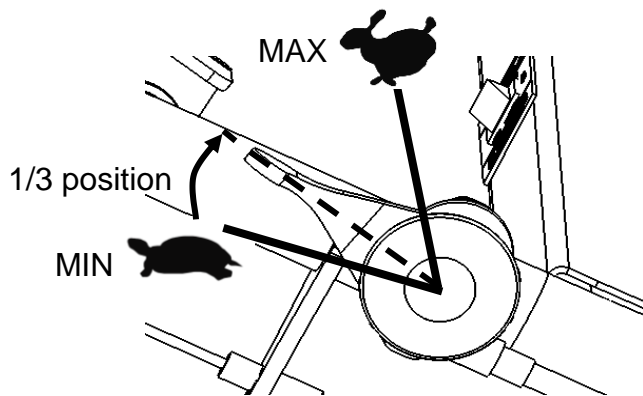
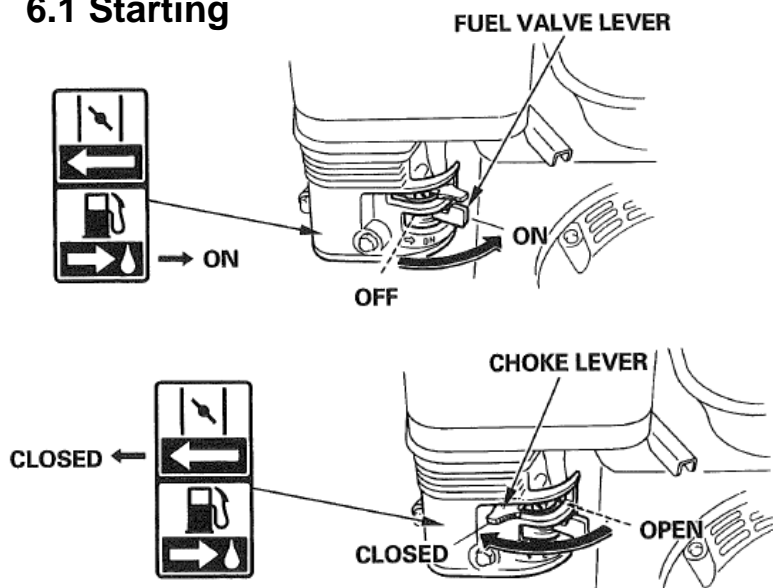




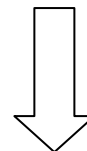
- |                                |                              |
|--------------------------------|------------------------------|
| 1) Handle bar ON/OFF switch    | 14) Choke lever              |
| 2) Throttle                    | 15) Oil dipstick             |
| 3) Cutting cylinder engagement | 16) Spark plug               |
| 4) Land roll engagement        | 17) Air filter               |
| 5) Park brake                  | 18) Fuel tank                |
| 6) Top handle bar              | 19) Bottom blade adjuster    |
| 7) Cable adjuster              | 20) Cartridge drive coupling |
| 8) Bottom handle bar           | 21) Front roller adjuster    |
| 9) Grass box cradle            | 22) Front roller scraper     |
| 10) Grass box                  | 23) Front roller             |
| 11) Engine ON/OFF switch       | 24) Cartridge securing screw |
| 12) Starter grip               | 25) Kick stand               |
| 13) Fuel valve lever           | 26) Vibration mounts         |

## 6.0 Using your mower

### 6.1 Starting



1) Move the fuel valve lever to the ON position



2) For a cold ❄ start move the choke lever to the CLOSED position | \ |

To restart a warm ☀ engine leave the choke lever in the OPEN position



3) Set the throttle to 1/3 position between MIN and MAX

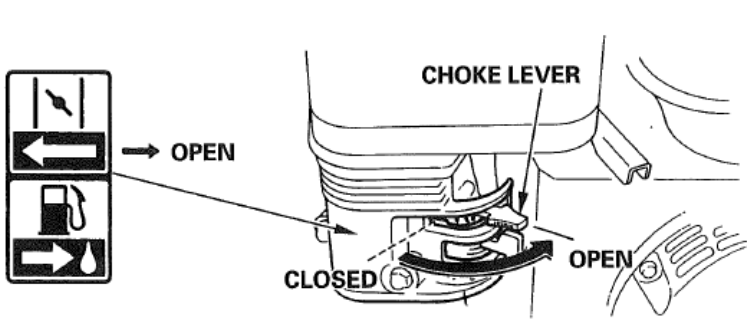


4) Turn the engine switch to the ON position



5) Move the handle bar mounted engine switch to the ON position

6) Pull the starter grip lightly until you feel resistance, then pull briskly. Return the starter grip gently



7) If the choke lever was moved to the CLOSED position [ \ ] to start the engine, gradually move it to the OPEN position [ | | ] as the engine warms up

## 6.2 Stopping

- 1) Move the throttle lever to MIN position
- 2) Move the handle bar mounted stop switch to OFF
- 3) Turn the petrol tap OFF

To stop in an emergency move the handle bar mounted stop switch to OFF

## 6.3 Adjusting the bottom blade - setting “on cut”

For grass cutting cylinder cartridges only.

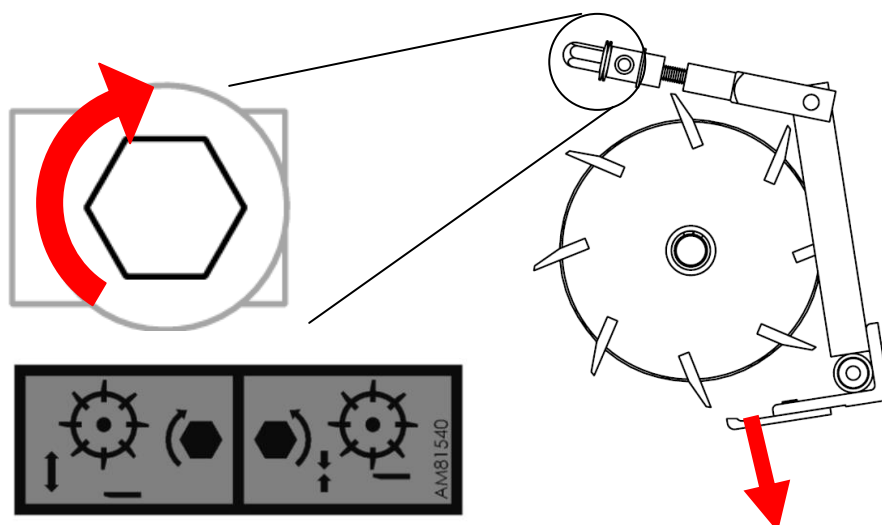
The bottom blade is correctly adjusted when the cutting cylinder lightly brushes the bottom blade as the cylinder is turned. Contact should be made across the full width of the bottom blade.

The blades act like a pair of shears, as a test correctly adjusted blades will cleanly cut a piece of good quality writing paper across the width of the blade. The bottom blade should be adjusted if the grass is not cut cleanly and evenly.

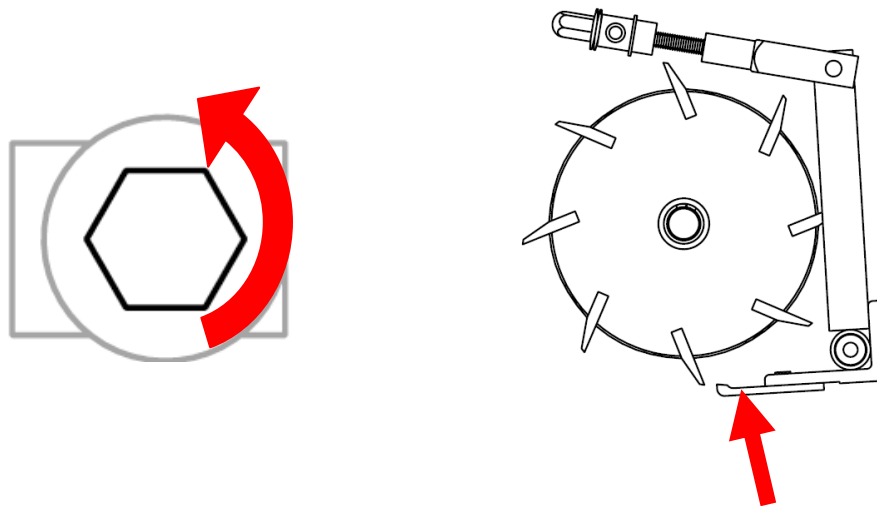
**WARNING** – Blades are sharp always wear gloves

To set the cutting cylinder cartridge on cut:

- 1) Tilt the mower back and wedge securely
- 2) Turn the adjuster screws anti clockwise to move the bottom blade closer to the cylinder  
Turn the adjuster screws clockwise to move the bottom blade further from the cylinder
- 3) When making adjustments to the bottom blade frequently check progress by cutting a piece of paper



Bottom blade  
adjustment decal

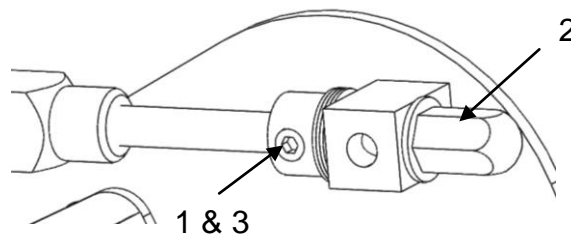


**Do not over tighten the bottom blade – the cylinder should be able to spin freely**

If you are still unable to cleanly cut paper, inspect the bottom blade and cylinder. If they appear, rounded, damaged or excessively worn they may need to be reground or replaced. New bottom blades should always be reground attached to the bottom blade carrier. For bottom blade grinding angles see the section 7.6

The bottom blade adjusters can sometimes become very tight and may be hard to turn. If this is the case:

- 1) Slacken off the grub screw on the collar
- 2) Rotate the adjuster anti-clockwise 1/8<sup>th</sup> of a turn
- 3) Tighten the grub screw



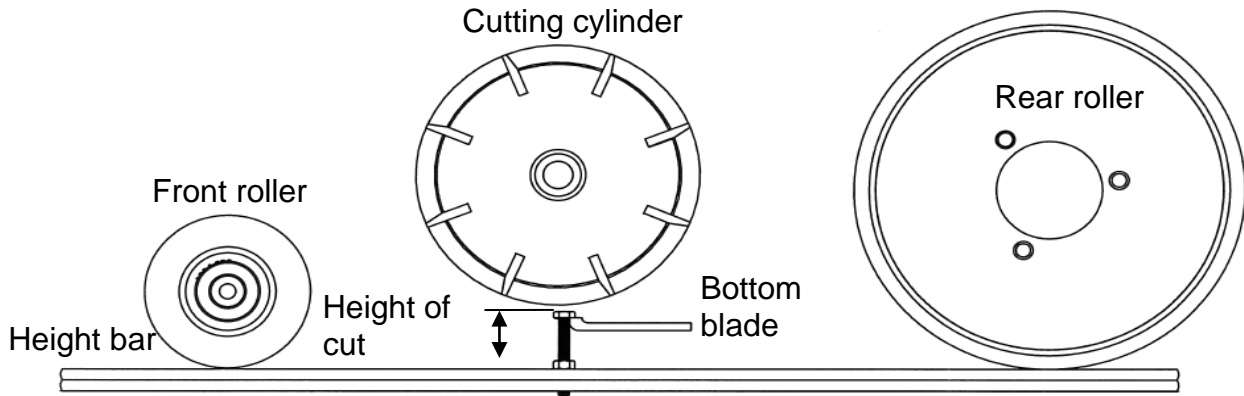
**6.4 Height of cut adjustment**

The height of cut is set by altering the position of the front roller.

**WARNING** - blades are sharp, always wear gloves

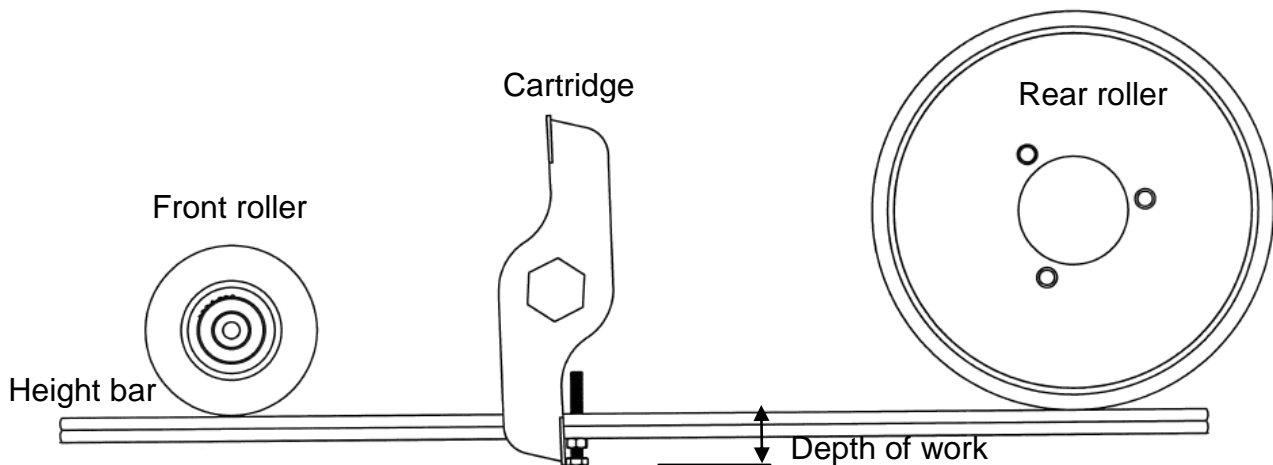
For a cutting cylinder cartridge:

- 1) Set “on cut” first, refer to section 6.3
- 2) Adjust and lock the bolt on the height setting bar to your desired height of cut
- 3) Slacken the four front roller fasteners
- 4) Tilt the mower back and wedge securely
- 5) With the height setting bar near one end of the bottom blade, locate the bolt head on top of the bottom blade and under the rear roller
- 6) Adjust the front roller so it makes contact with the height setting bar
- 7) Tighten the front roller fasteners on the side you have adjusted
- 8) Move the height setting bar to the other end of the bottom blade and repeat steps 5-8



For all other turf maintenance cartridges:

- 2) Adjust and lock the bolt on the height setting bar to your desired working height or depth
- 3) Slacken the four front roller fasteners
- 4) Tilt the mower back and wedge securely
- 5) With the height setting bar near one edge of the cartridge, position one end against the rear roller
- 6) Adjust the front roller so it makes contact with the height setting bar and the bolt head lines up with the blade/tine/bristle
- 7) Tighten the front roller fasteners on the side you have adjusted
- 8) Move the height setting bar to the other end of the cartridge and repeat steps 5-8



### 6.5 Engaging drive to the cylinder/cartridge

- 1) Gradually squeeze the cylinder/cartridge bail bar towards the top handle
- 2) Release the bail bar to stop the cylinder/cartridge

### 6.6 Engaging drive to the land roll

- 1) Gradually squeeze the drive bail bar towards the top handle
- 2) Release the bail bar to stop forward movement

### 6.7 Park brake

The park brake is designed to lock the transmission. **DO NOT** use the park brake whilst the mower is moving, only apply it when the mower is stationary.

To engage the park brake:

- 1) Pull and hold the red lever on the top handle bar
- 2) Tighten the lock handle

## 6.8 Mowing

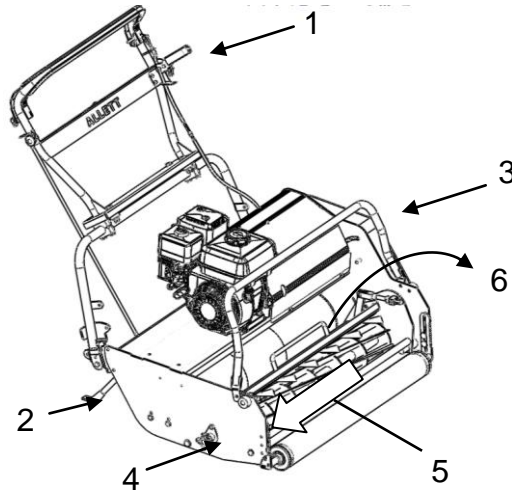
- 1) Before mowing check the engine oil level and fill the petrol tank (see maintenance section)
- 2) Start the engine – see section 6.1
- 3) Engage drive to the cylinder/cartridge
- 4) Release the park brake
- 5) Engage drive to the land roll

## 6.9 Removing and replacing a cartridge

WARNING - blades are sharp, always wear gloves

To remove a cartridge:

- 1) Stop the engine and apply the park brake
- 2) Lower the kick stand – WARNING the mower will become unstable when the cartridge is removed, the kick stand prevents instability
- 3) Remove the grass box and fold up the grass box cradle
- 4) Loosen the cartridge securing hand wheel
- 5) Slide the cartridge across to separate the drive coupling
- 6) Lift the cartridge out using the handle. Obtain assistance if required. WARNING - some cartridges are above 25kg



To replace a cartridge:

- 1) Stop the engine and apply the park brake
- 2) Lower the kick stand – WARNING the mower will become unstable when the cartridge is removed, the kick stand prevents instability
- 3) Remove the grass box and fold up the grass box cradle
- 4) Lift the cartridge in to the frame using the handle. Obtain assistance if required. WARNING - some cartridges are above 25kg.
- 5) Align the teeth on the drive coupling, use the indicator marks to help
- 6) Slide the cartridge across to engage the drive coupling
- 7) Tighten the hand wheel to secure the cartridge in place

## 7.0 Maintenance

WARNING – Stop the engine and remove the spark plug cap

To ensure long and reliable service, carry out the following maintenance regularly:

Regularly check for obvious defects such as a loose, dislodged or damaged blades, loose fixings and worn or damaged components.

Check that covers and guards are undamaged and correctly fitted. Carry out necessary maintenance or repairs before using.

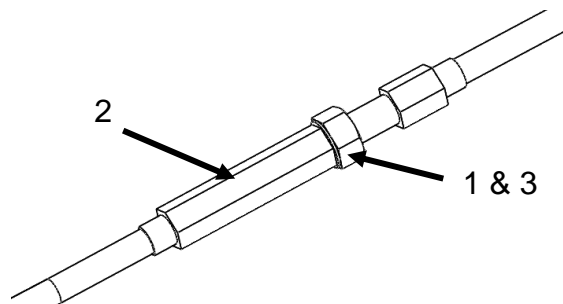
Clean the exterior of the machine thoroughly using a soft brush and cloth. Remove all debris, especially from the air filter and engine fins.

If the mower should happen to fail despite the care taken in manufacture and testing, repair should be carried out by an authorised Allett dealer.

## 7.1 Adjusting land drive and cylinder cables

If the mower or cylinder doesn't drive adequately it may be necessary to adjust the drive cable as follows:

- 1) Slacken lock nut
- 2) Turn the adjuster a few times clockwise
- 3) Retighten the adjuster with the lock nut

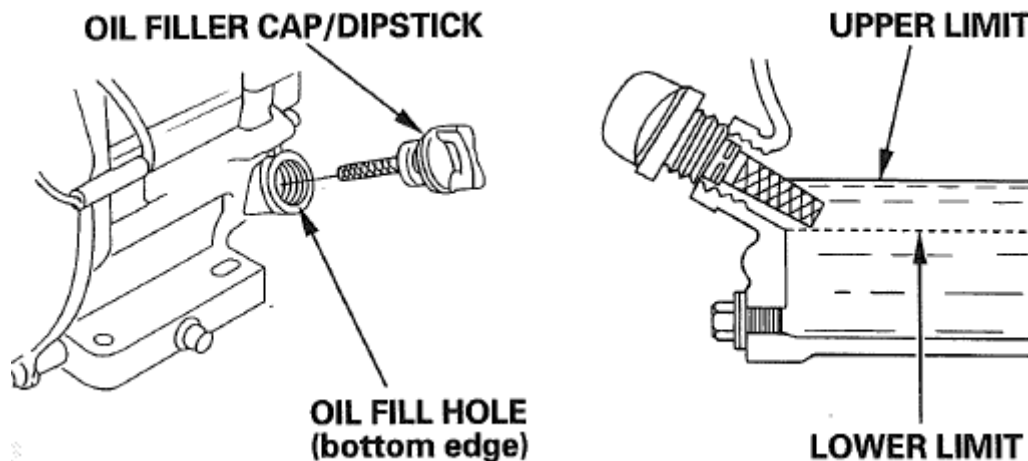


When correctly adjusted, drive to the rear roller or cylinder is engaged when the bail bar is squeezed against the top handle. When released drive should disengage.

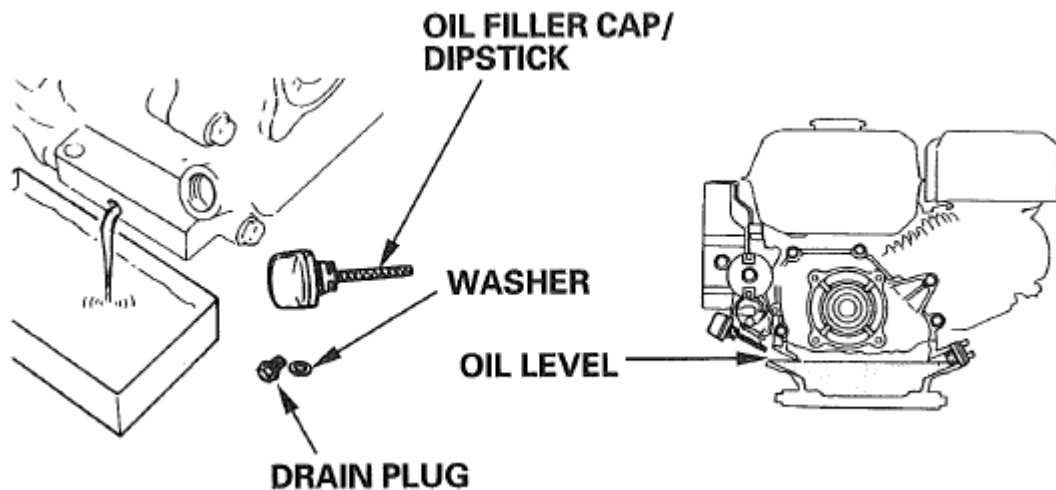
## 7.2 Checking the engine oil

Change the engine oil after the first 8 hours of use. The oil should then be changed every 50 hours or at the end of each season before storage, whichever is sooner.

- 1) With the mower standing on level ground, unscrew and remove the engine oil filler dipstick (X)
- 2) Wipe the oil filler dipstick clean: insert the oil dipstick, then remove it again. Do not screw it in.
- 3) Check the oil level
- 4) Add a good quality SAE10W-30 oil in small quantities at a time, allowing it to settle. Repeatedly add oil and check the level until it reaches the upper limit.







SAE 10W-30 oil is recommended for general use. It is important to use the recommended oil to avoid damage to your engine. Engine oil capacity is 0.6L

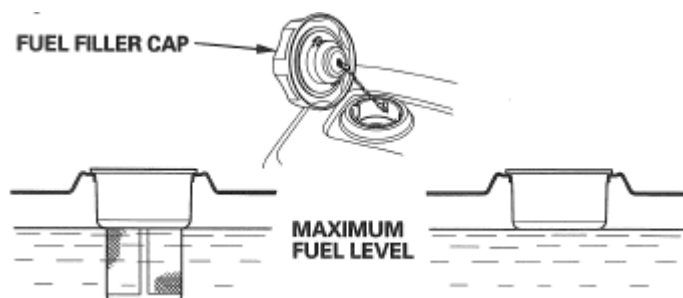
### 7.3 General engine maintenance

Check and clean the air filter (X), replace if necessary. See engine manual for details.  
 Check and clean the fuel sediment bowl and spark plug. See engine manual for details.  
 For all other engine adjustments and maintenance refer to the engine manual.

### 7.4 Fuel

Petrol deteriorates over time. Engine starting may be difficult if you use petrol kept for more than 30 days. Always run the fuel tank dry when storing over 30 days.

- 1) Remove the petrol filler cap (X), slowly add unleaded petrol to the tank, fill to approximately the top of the strainer gauze.
- 2) Replace petrol filler cap
- 3) Wipe up any spilt petrol from the engine before starting the mower

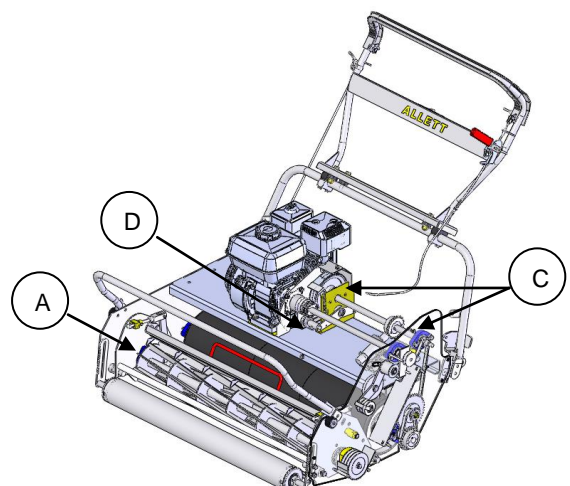


### 7.5 Grease points

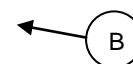


8 Grease points in total  
 (Remove covers to access grease points)

- A) 2 cartridge bearings (1 pump every 1-2 weeks)
- B) 2 rear roller bearings (1 pump every month)



- C) 3 drive shaft bearings (1 pump every 1-2 weeks)
- D) 1 idler pulley bearing (1 pump every 1-2 weeks)



Recommended best practice is to grease little and often

## 7.6 Bottom blade grinding angles

For cylinder cutting cartridges only. The cutting performance of the C34 is highly dependant on the condition of both the cylinder and bottom blade. Poorly maintained parts will lead to a poor quality of cut.

Newly fitted bottom blades will need to be ground when bolted to the blade carrier to ensure a perfectly flat cutting edge.

It is advisable that grinding/reconditioning is carried out by an authorised Allett dealer to the angles shown below.



## 7.7 Inspection of safety critical components

The below parts are critical to the safe operation of your lawnmower, before each use check that:  
When the park brake is engaged the mower can not move.

The guards, deflectors and the grass box are in good condition and secured in place

The On/off engine switch stops the mower in case of an emergency

When the bail bars are released the cylinder/cartridge and land roll drive stop immediately

## 7.8 Maintenance schedule

Activity	Task	Daily	Weekly	Monthly	Yearly
<b>Check</b>					
	Engine oil level	●			
	Fuel level	●			
	Air cleaner condition	●			
	Guards in place	●			
	Cutting cylinder/cartridge	●			
	Fasteners		●		
	Chain and belt tension			●	
	Spark plug			●	
<b>Clean</b>					
	Debris/grass from mower	●			
	Engine cooling fins	●			
	Fuel sediment bowl				●
	Air filter elements		●		
	Inside guards		●		
<b>Test</b>					

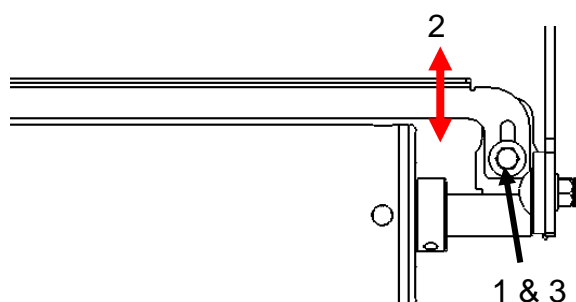
	Parking brake	•			
	On/off switches	•			
	Drive engagement/disengagement	•			
<b>Replace</b>					
	Engine oil				•
	Spark plugs				•
	Air filter elements				•

## 8.0 Making adjustments to your mower

### 8.1 Front roller scraper

To keep the front roller clean it is fitted with an adjustable scraper. To adjust the scraper:

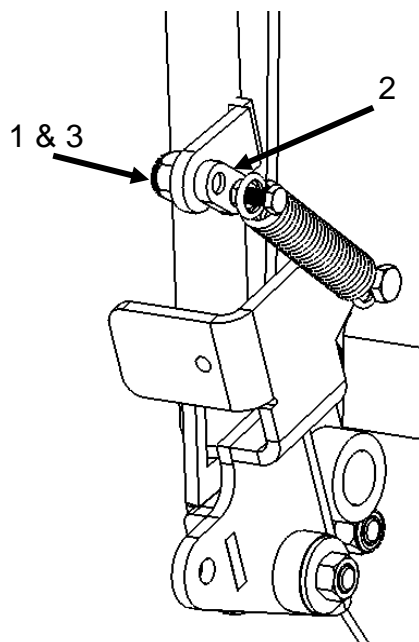
- 1) Slacken the two locking screws
- 2) Move the scraper bar so there is minimal clearance between the bar and the roller
- 3) Tighten the two locking screws



### 8.2 Floating handle bars

The upper and lower handle bars are isolated with rubber vibration mounts. The lower handle bar is also suspended via springs. The sprung lower handle bar is designed to “float” off the rubber stops when in use. The spring tension can be adjusted by rotating the spring anchor.

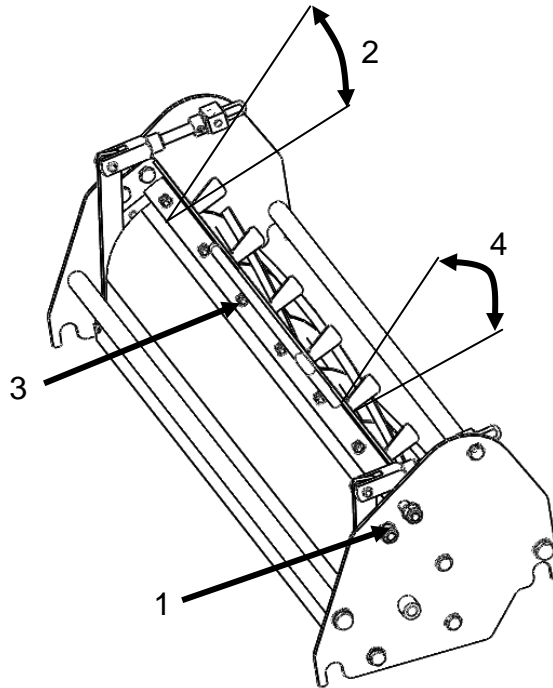
- 1) Slacken the locking nut
- 2) Rotate the spring anchor to adjust spring tension
- 3) Tighten the locking nut



### 8.3 Delivery plate and fins

The delivery plate on the cylinder cartridge and the grass deflector veins can be adjusted to alter the grass trajectory into the grass box.

- 1) Loosen the 4 delivery plate screws
- 2) Adjust the delivery plate up or down then tighten the screws
- 3) Loosen each grass deflector locking screw
- 4) Individually adjust the deflector left or right then tighten the screws



### 9.0 Vibration reduction

Best practices for reducing vibration emission:

The mower is designed to operate at low engine speeds. Adequate performance can be achieved at little over idle speed.

Inspect the rubber vibration mounts for signs of wear and deterioration, replace if necessary. Properly adjust the sprung floating handle bars to improve operator comfort and further limit vibration transmission (See section 8.2).

A well maintained mower with an accurately ground and balanced cylinder are recommended to limit vibration emission. Forcing the mower to cut longer grass than intended or setting cartridges to work at great depths or on unsuitable surfaces will result in higher levels of vibration and wear.

## 10.0 EC Declaration of conformity

We: **Turfmech Machinery Limited**

of: Hangar 5, New Road, Hixon, Staffordshire, ST18 0PJ, UK

declare that:

Equipment: Lawn mower

Model name/number: C34 (Cutting width 0.86m)

in accordance with the following directives:

2004/108/EC	Conforms with the essential protection requirements of the Electromagnetic Compatibility Directive and its amending Directives.
2006/42/EC	Conforms with the essential requirements of the Machinery Directive and its amending Directives.
2000/14/EC	Conforms with the essential requirements of the Noise Directive and its amending Directives. The conformity assessment procedure followed was in accordance with Annex VI of the Directive

Has been designed and manufactured to the following standards:

**EN ISO 12100-1:2003+A1:2009**

Safety of machinery. Basic concepts, general principles for design. Basic terminology, methodology.

**EN ISO 12100-2:2003+A1:2009**

Safety of machinery. Basic concepts, general principles for design. Technical principles.

**BS EN 836:1997**

Garden equipment – Powered lawnmowers – Safety

Measured Sound Power Level (2000/14/EC): 98dB L<sub>WA</sub>

Guaranteed Sound Power Level (2000/14/EC): 100dB L<sub>WA</sub>

Uncertainty K: 2.5dB

Sound Pressure Level (BS EN 836): 86dB L<sub>PA</sub>

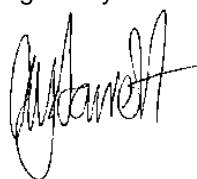
**Wear hearing protection!**

Notified body: AV Technology, Handforth, Cheshire

Technical construction file is kept by: Turfmech Machinery Ltd, Hangar 5, New Road, Hixon, Staffordshire, ST18 0PJ, UK

I hereby declare that the equipment named above has been tested and found to comply with the relevant sections of the above referenced specifications. The unit complies with all essential requirements of the Directives

Signed by:



Name: Austin Jarrett

Position: Managing Director

Done at: Turfmech Machinery Ltd

On: 30<sup>th</sup> January 2013

### **Best practices for reducing noise emission:**

This mower is designed to operate at low engine speeds. Adequate performance can be achieved at little over idle speed. Setting minimal contact between the cylinder and bottom blade will also help reduce noise emissions. Forcing the mower to cut longer grass than intended or setting it to work at great depths may cause higher levels of noise emission. Damaged exhausts or loose guards can increase noise emissions. Therefore, before use inspect the exhaust system for signs of wear and ensure the guards are securely attached and in good condition.

## 11.0 Fault finding when mowing

<b>Problem</b>	<b>Possible cause</b>	<b>Remedy</b>
Occasional blades of uncut grass.	Ground speed too fast. Height of cut too high Poorly adjusted bottom blade. Blunt cutting cylinder/bottom blade. Drive belt slipping.	Reduce forward travel speed. Reduce height of cut. Re-adjust bottom blade. Grind/recondition as necessary. Adjust belt tension.
Strips of uncut grass between adjacent runs.	Overlap between runs too small.	Increase overlap between runs.
Uneven cut on uneven ground.	Uneven ground conditions.	Reduce forward travel speed, change direction of cut.
Scalping of grass.	Height of cut too low for conditions. Uneven ground conditions.	Increase height of cut. Increase height of cut, change direction of cut.
Ribbing of grass perpendicular to direction of travel.	Forward travel speed too fast.	Reduce forward travel speed.
Tram lining of grass in the direction of forward travel.	Bottom blade in ground contact. Poor cylinder to bottom blade adjustment. Worn cylinder bearings.	Increase height of cut. Re-adjust bottom blade.  Replace worn parts.
Excessive bottom blade wear.	Bottom blade in heavy ground contact. Blunt cutting edge. Cylinder in heavy contact with bottom blade. Excessively abrasive ground conditions.	Increase height of cut.  Grind/recondition. Re-adjust the bottom blade to cylinder clearance. Increase height of cut.
Cylinder knocks while rotating.	High spots on the cutting edges.  Worn cylinder bearings.	Grind/recondition cylinder and bottom blade. Replace worn parts.

## 12.0 Specification

### 12.1 Base machine specification

Model name	C34
Cutting width	864mm (34")
Engine	Honda GX200
Engine fuel/oil capacity	3.1L Unleaded fuel, 0.6L oil SAE 10W-30
Power output (net)	4.1kW (5.5hp) @ 3,600rpm
Handlebar	Adjustable with anti-vibration mountings
Drive engagement	Handle mounted lever engaging V belt via cable
Cartridge engagement	Handle mounted lever engaging V belt via cable
Rear roller	Rubber covered, 3 piece steel roller with steel bevel gear differential
Front roller	Single piece steel roller on sealed bearings
Weight (without cartridge)	164kg
Dimensions (W x L x H)	1168mm x 1775mm x 1020mm
Height of cut	8 – 55mm
Grassbox	Rotational moulded plastic
Machine options	Trailing seat

### 12.2 Cartridge specification

Cartridge type	Weight	Working width	Overall width
34" 6 blade cylinder	43kg	863mm	978mm
	94 cuts/metre (86 cuts/yd) irrespective of forward speed		
34" 8 blade cylinder	45kg	863mm	978mm
	125 cuts/metre (114 cuts/yd) irrespective of forward speed		
34" Scarifier	29kg	863mm	978mm
34" Verticutter	30kg	863mm	978mm
34" Brush	25kg	863mm	978mm
34" Sorrel roller	33kg	863mm	978mm
34" Turfrake	18kg	863mm	978mm

## 13.0 Guarantee

Turfmech/Allett guarantees this product against manufacturing defects. We will repair (or replace at our option) if a manufacturing defect occurs within the guarantee period as long as it has not been subjected to rental/hire use. The engine fitted to this mower is covered by the engine manufacturer. See engine manuals for details.

The guarantee period is 2 years for parts and labour costs from the date of purchase. A 3rd year extended guarantee is available only if the lawnmower has been registered within in 90 days of purchase and is serviced annually by an authorised Allett service agent.

To obtain a repair under this guarantee:

- Take your lawnmower to an Allett approved service agent
- Show your dated proof of purchase
- Show the guarantee page

This guarantee does not apply if:

- The product has been resold by the original purchaser (this does not apply in the Republic of Ireland) or has been used under hire.
- The product has been modified to change the manufacturers specification, or if non-genuine spares have been fitted
- If any previous repair has been undertaken by anyone other than an Allett approved service agent
- The fault is due to maladjustment, abuse, neglect or accidental damage
- The fault is due to lack of lubrication or maintenance
- The failure is due to normal wear

The following parts are considered as wearing parts. Their life is dependent on regular servicing and they are not therefore normally considered by the guarantee:  
Blades, drive chains, bearings, belts, rubber on the rear roller and cables.

The cost of routine maintenance of the product is not covered by the guarantee.

It is in your best interest to follow the operating instructions for your lawnmower as a properly cared for product should give many years of excellent service cutting grass.

Always insist on genuine Allett spares or parts. Any damage caused to the product through the fitting of parts not made or approved by Allett is not covered by the guarantee.

Your statutory rights are not affected by this guarantee.

When the time comes to dispose of this product please consider the environment and take it to a recognised recycling facility.



## Notes