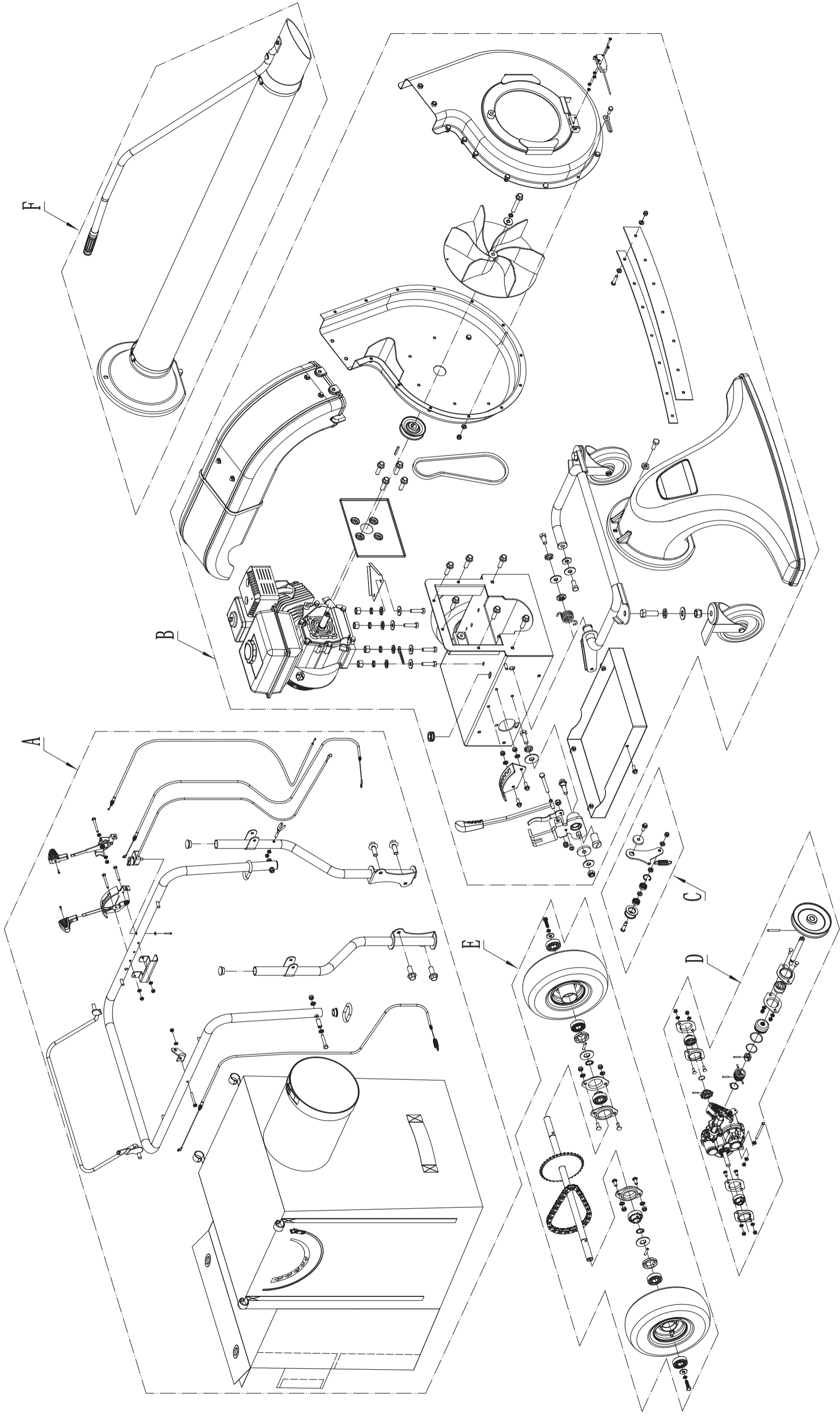
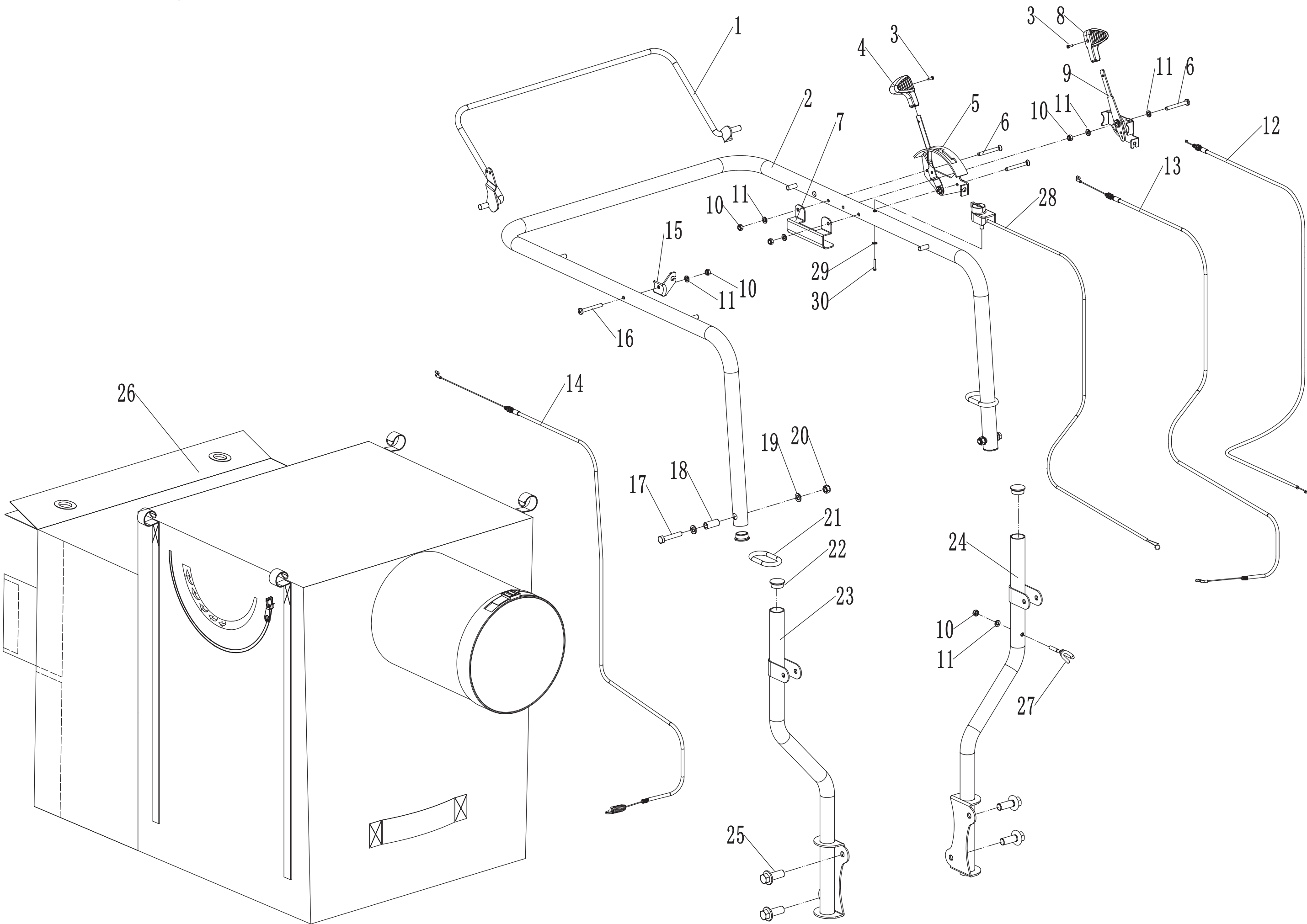


VIRO 160H

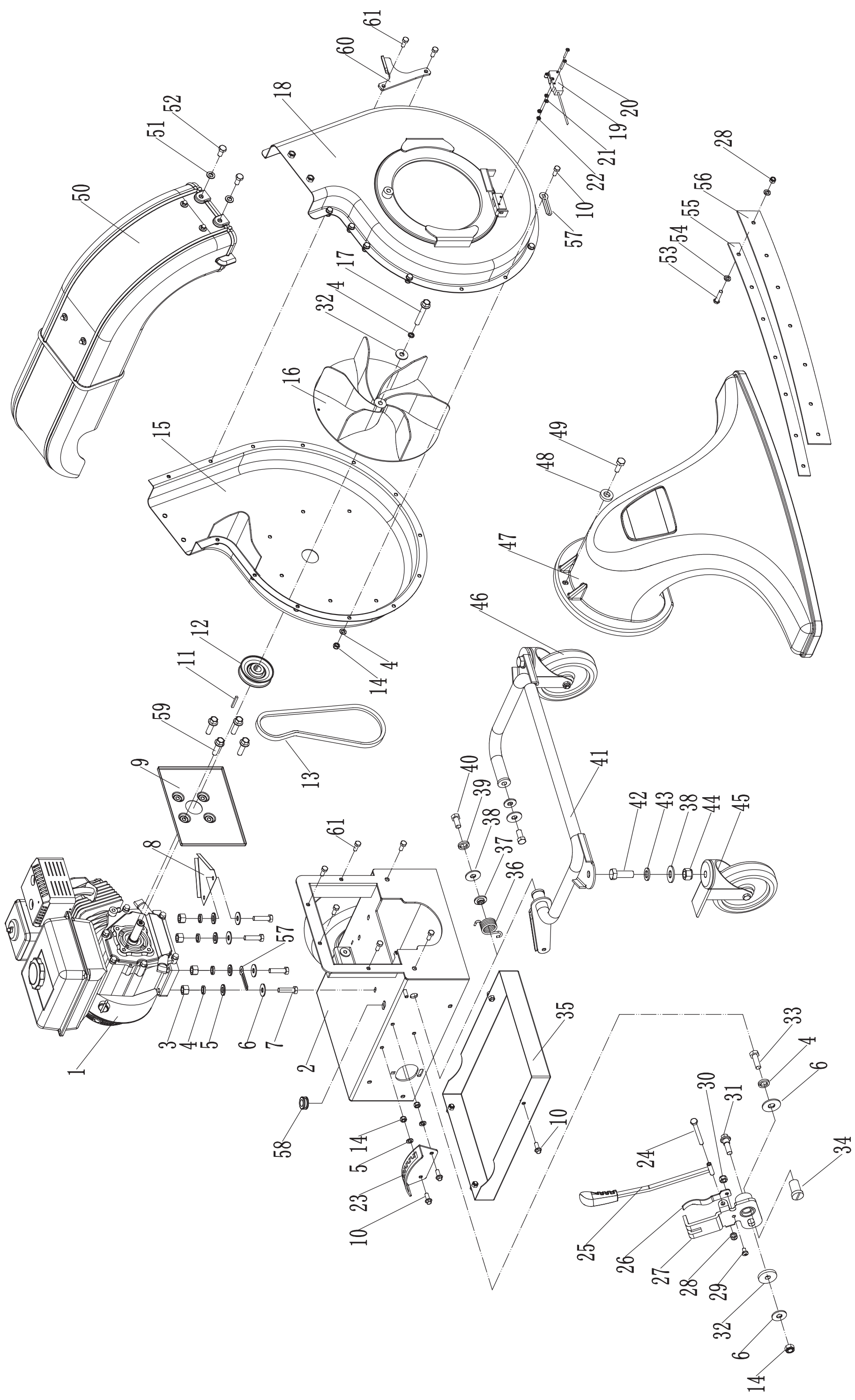


A Handle And Controls



A			
Order	Part number	Name_English	Quantity
1	UV160-00007	Lever Weldment	1
2	UV160-00008	Upper Handle Welding	1
3	U506-00035	Screw-ST2.9×13	2
4	U506-00034	Grip - Speed Lever	1
5	UV160-00009	Frame - Speed Control	1
6	UV160-00010	Screw-M6×55	3
7	UV160-00011	Speed Frame Plate	1
8	U506-00036	Grip - Throttle Lever	1
9	UG700-00015	Frame - Throttle Control	1
10	U455-00013	Lock Nut - M6	4
11	U455-00054	Washer-M6	5
12	UV160-00012	Throttle Cable	1
13	UV160-00013	Speed Cable	1
14	UV160-00014	Clutch Cable	1
15	UV160-00015	Bracket	1
16	UG700-00007	Screw-M6×40	1
17	UG700-00026	Bolt-M8×45	2
18	UV160-00016	Spacer	2
19	U455-00061	Washer-M8	4
20	U455-00007	Lock Nut-M8	2
21	UV160-00017	Link Chain	2
22	UV160-00018	Handle Plug	4
23	UV160-00019	Right-lower Handle Welding	1
24	UV160-00020	Left-lower Handle Welding	1
25	UR200-00056	Bolt-M10×20	4
26	UV160-00096	Grass Bag	1
27	UV160-00021	Hook - Starter Rope	1
28	UV160-00022	Flameout Switch	1
29	UV160-00023	Washer	1
30	UV160-00024	Screw-M3×20	1

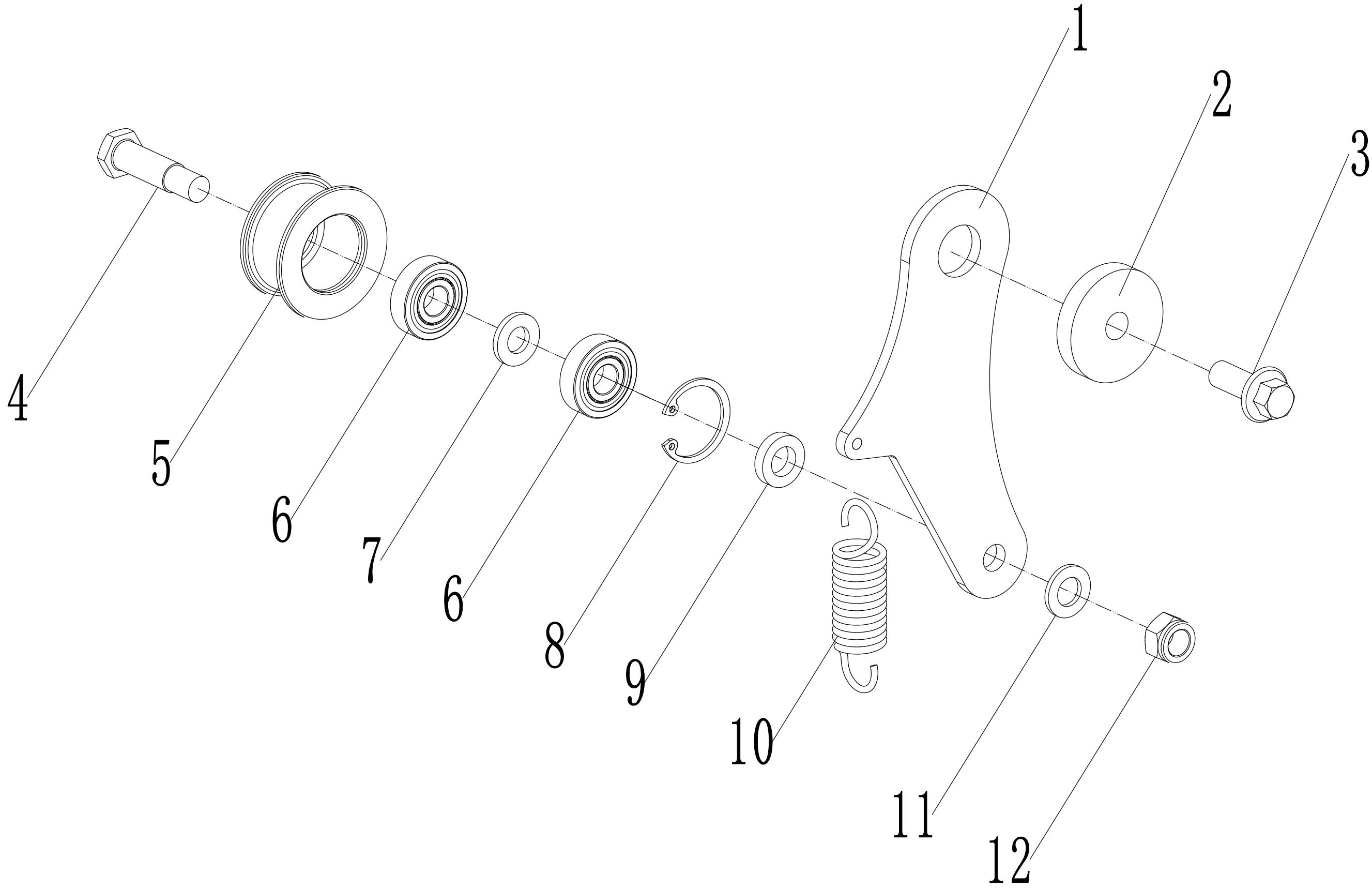
B Chassis Assembly



B			
Order	Part number	Name_English	Quantity
1		Engine	1
2	UV160-00025	Chassis Weldment	1
3	UG700-00022	Nut-M8	4
4	U455-00053	Spring Washer-M8	6
5	U455-00061	Washer-M8	23
6	U506-00058	Washer-M8	6
7	UT160-00002	Bolt-M8x40	4
8	UV160-00026	Guid Plate	1
9	UV160-00027	Engine Connection Plate	1
10	U455-00002	Bolt-M8x16	17
11	UV160-00028	Key-4.7X4.7X47	1
12	UV160-00029	Engine Pulley	1
13	UV160-00030	V Belt-13X690	1
14	U455-00007	Lock Nut-M8	19
15	UV160-00031	Turbin Shell (Back Half)	1
16	UV160-00032	Turbin	1
17	UV160-00033	Blade Bolt	1
18	UV160-00034	Turbin Shell (Front Half)	1
19	UR200-00049	Switch	1
20	UV160-00035	Screw-M3x16	2
21	UV160-00036	Washer-M3	2
22	UV160-00037	Lock Nut-M3	2
23	UV160-00038	Graduator	1
24	UV160-00039	Bolt-M6x55	1
25	UV160-00040	Handle - Height Adjuster	1
26	UV160-00041	Spring	1
27	UV160-00042	Plate - Height Adjuster	1
28	U455-00013	Lock Nut-M6	2
29	UV160-00043	Screw-M5x12	1
30	U455-00006	Lock Nut-M5	1
31	UV160-00044	Bolt	1
32	U506-00058	Washer-M8	2
33	UG700-00026	Bolt-M8x25	1
34	UV160-00045	Spacer	1
35	UV160-00046	Cover	1
36	UV160-00047	Spring	1
37	UV160-00048	Spacer 1	2
38	UV160-00049	Washer-M12	4
39	UR200-00075	Spring Washer-M12	2
40	UG806-00047	Bolt-M12x25	2
41	UV160-00050	Wheel Bracket	1
42	UV160-00051	Bolt-M12x40	2
43	UR200-00074	Washer-M12	2

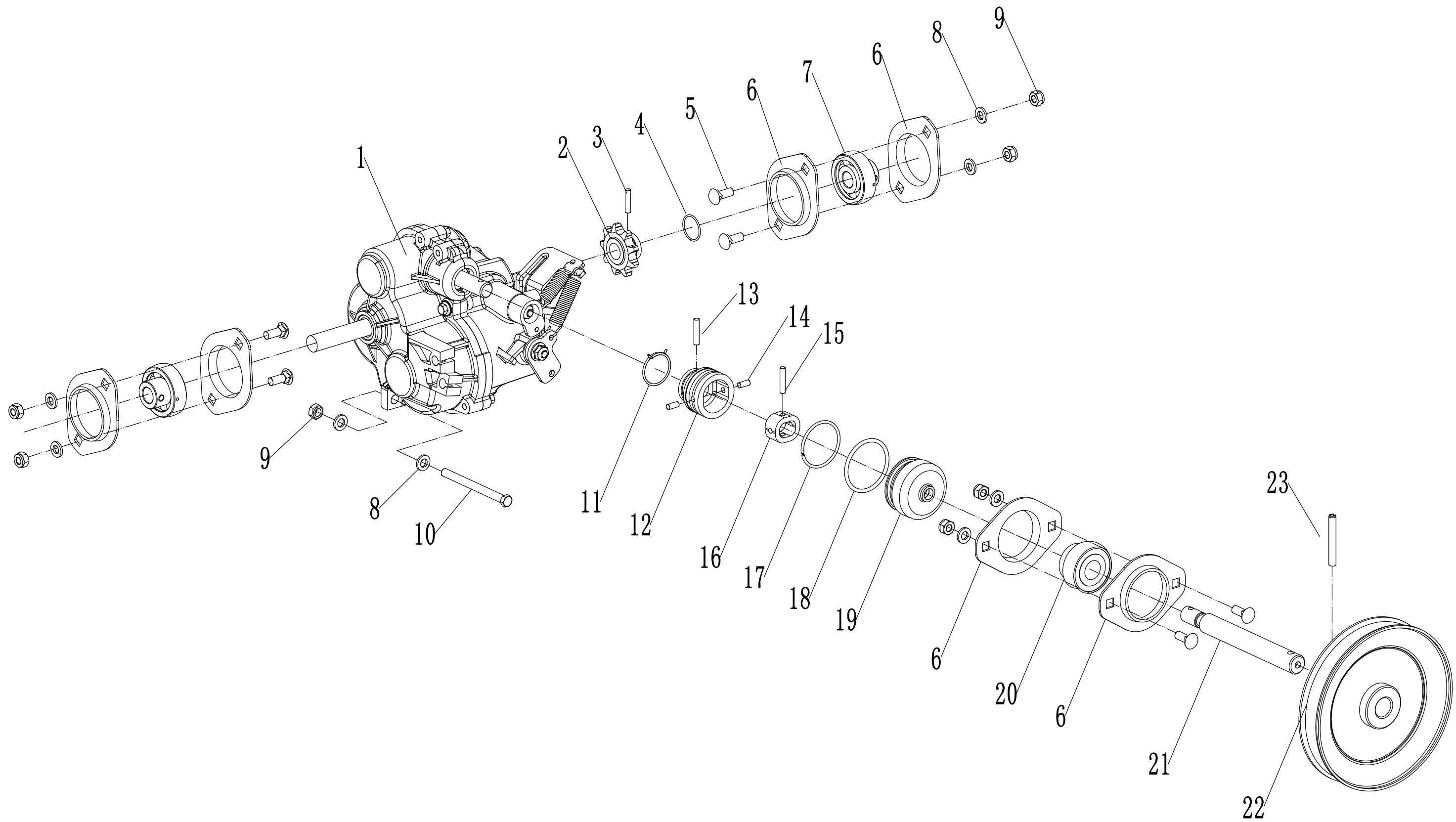
44	UR200-00076	Lock Nut-M12	2
45	UV160-00052	Universal Wheel Brakes	1
46	UV160-00053	Universal Wheels	1
47	UV160-00054	Nozzle	1
48	UV160-00055	Spacer	1
49	UG806-00032	Bolt-M10×25	1
50	UV160-00056	Discharge Chute	1
51	U455-00029	Washer-M10	4
52	UV160-00057	Bolt-M10×16	4
53	UG700-00055	Bolt-M6×20	7
54	U455-00054	Washer-M6	7
55	UV160-00058	Clamp	1
56	UV160-00059	Spacer	1
57	UV160-00060	Pressing Line Plate	3
58	UV160-00061	Retainer Thread	1
59		Screw-5/16-24-16	4
60	UV160-00063	Location-limited Plate	1
61	U455-00002	Bolt-M8×20	8

C Tensional Pulley



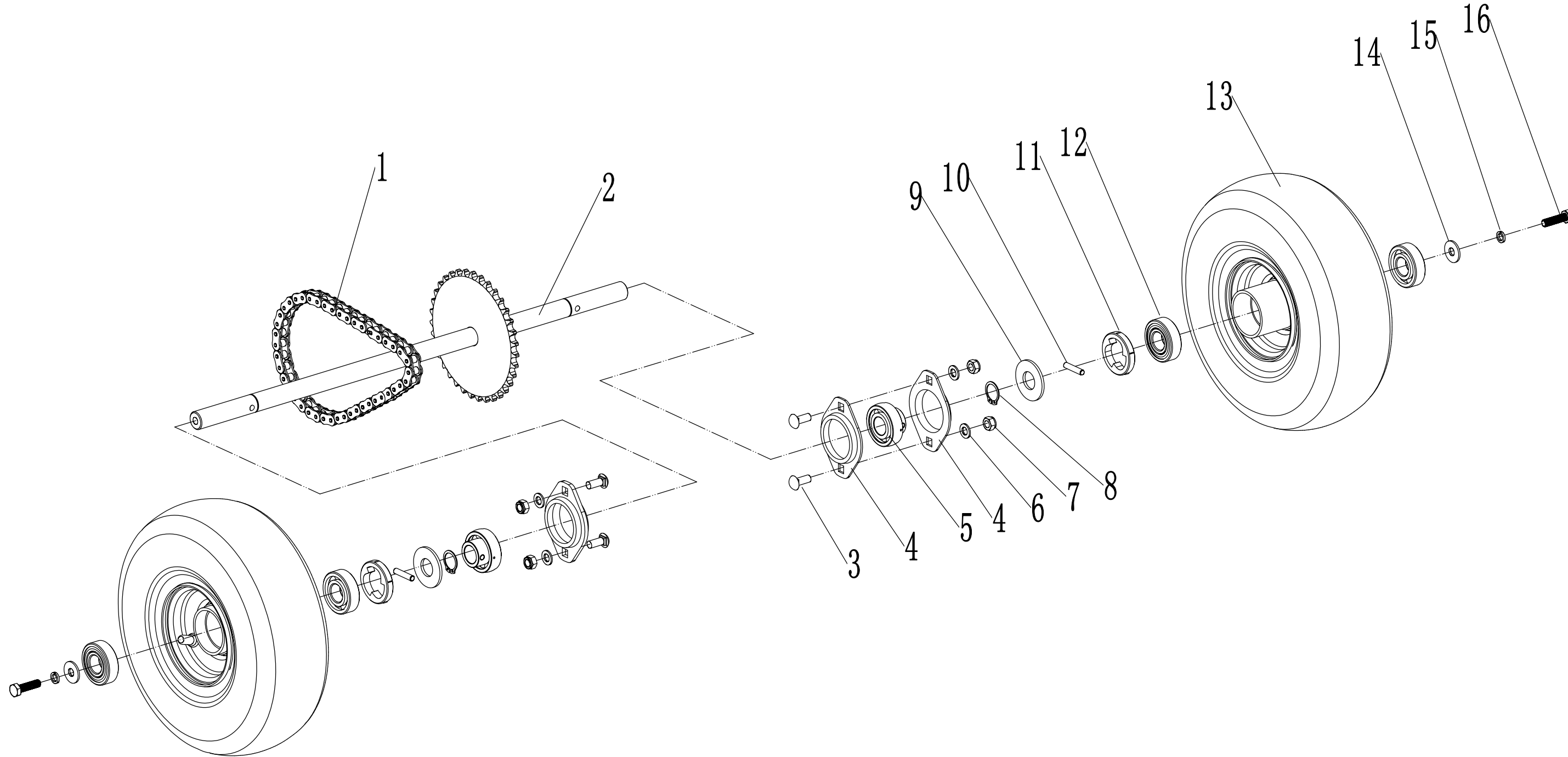
C			
Order	Part number	Name_English	Quantity
1	UV160-00064	Tensional Plate	1
2	UV160-00065	Tensional Plate Spacer	1
3	UR200-00054	Bolt-M8X25	1
4	UV160-00066	Tensional Pulley Bolt	1
5	U506-00060	Tensional Pulley	1
6	U506-00061	Bearing	2
7	U506-00062	Spacer 2	1
8	UV160-00067	Internal Circlip - 24mm	1
9	UV160-00068	Spacer 1	1
10	UV160-00069	Spring	1
11	U455-00061	Washer - M8	1
12	U455-00007	Lock Nut-M8	1

D Transmission Box



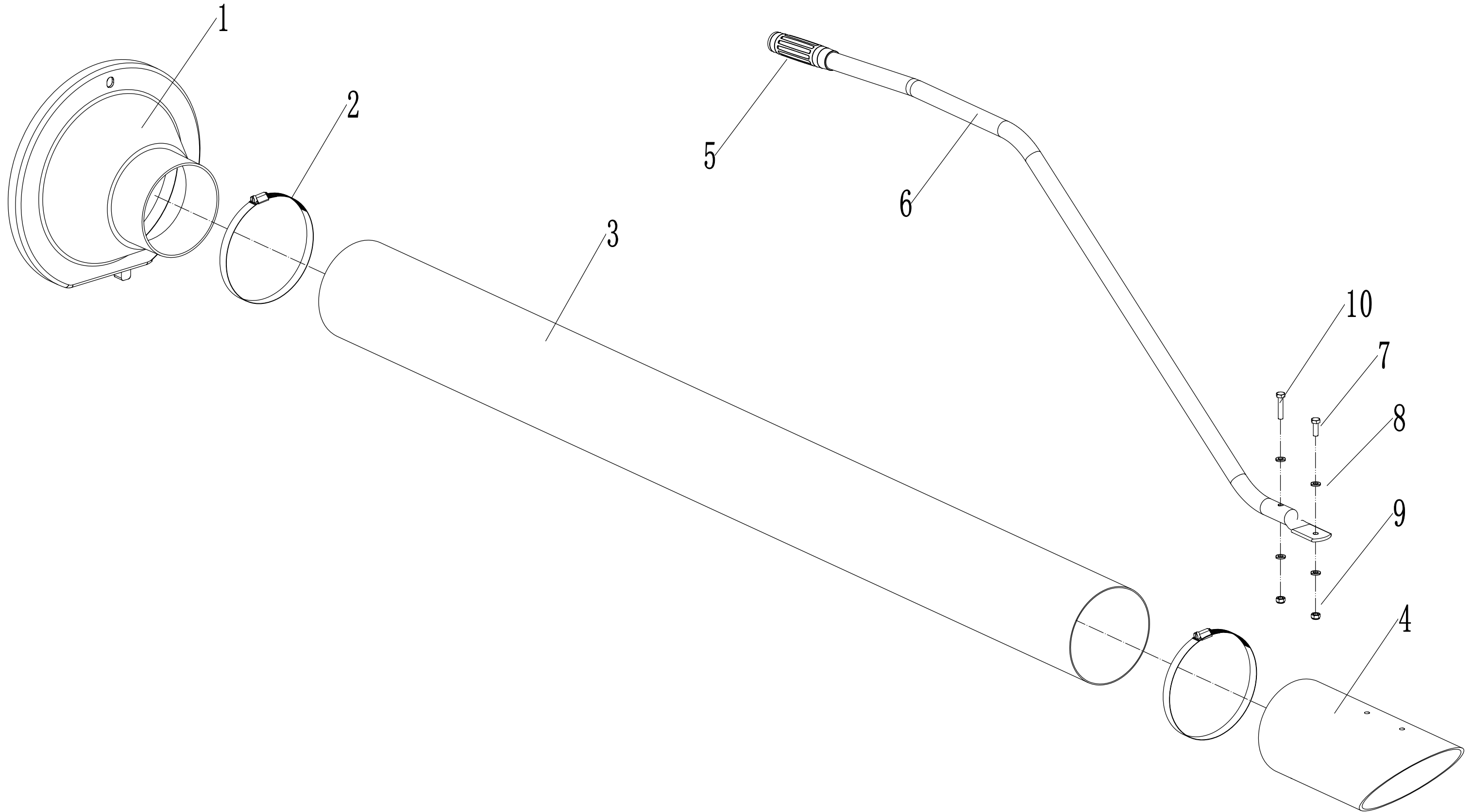
D			
Order	Part number	Name_English	Quantity
1	UV160-00070	Gear box	1
2	UV160-00071	Chain	1
3	UG700-00092	Pin-4X18	1
4	UG700-00094	Check Ring	1
5	UG700-00129	Bolt- M6x20	6
6	UV160-00072	Bearing Bracket	3
7	UV160-00073	Bearing	2
8	U455-00054	Spacer	10
9	U455-00013	Lock Nut-M6	7
10	UV160-00074	Bolt-M6x70	1
11	U537-00046	Check Ring	1
12	UV160-00075	Bracket	1
13	UV160-00076	Pin	1
14	UV160-00077	Pin	2
15	UV160-00078	Pin	1
16	UV160-00079	Cross Ring	1
17	U537-00049	Check Ring	1
18	U537-00048	O Ring	1
19	U537-00047	Shield	1
20	UV160-00080	Bearing	1
21	UV160-00081	Shaft	1
22	UV160-00082	Pulley	1
23	UG806-00027	Pin-5x40	1

E Rear Axle



E			
Order	Part number	Name_English	Quantity
1	UV160-00083	Chain	1
2	UV160-00084	Rear Axle	1
3	U506-00064	Bolt	4
5	UV160-00085	Bearing	2
6	U455-00061	Spacer-M8	4
7	U455-00007	Lock Nut-M8	4
8	U455-00068	Check Ring-M20	2
9	UV160-00086	Spacer	2
10	UV160-00087	Pin-6x29	2
11	UV160-00088	Bush	2
12	UG700-00096	Bearing	4
13	UV160-00089	Rear Wheel	2
14	U506-00058	Spacer-M8	2
15	U455-00053	Spring Washer-M8	2
16	U537-00060	Bolt- M8X20	2

F Vacuum Nozzle



F			
Order	Part number	Name_English	Quantity
1	UV160-00001	Adapter	1
2	UV160-00002	Clamp Ring	1
3	UV160-00003	Hose	1
4	UV160-00004	Nozzle	1
5	UG700-00020	Grip	1
6	UV160-00005	Handle	1
7	UG700-00055	Bolt-M6X20	1
8	U455-00054	Spacer	4
9	U455-00013	Lock Nut-M6	2
10	UV160-00006	Bolt-M6X35	1