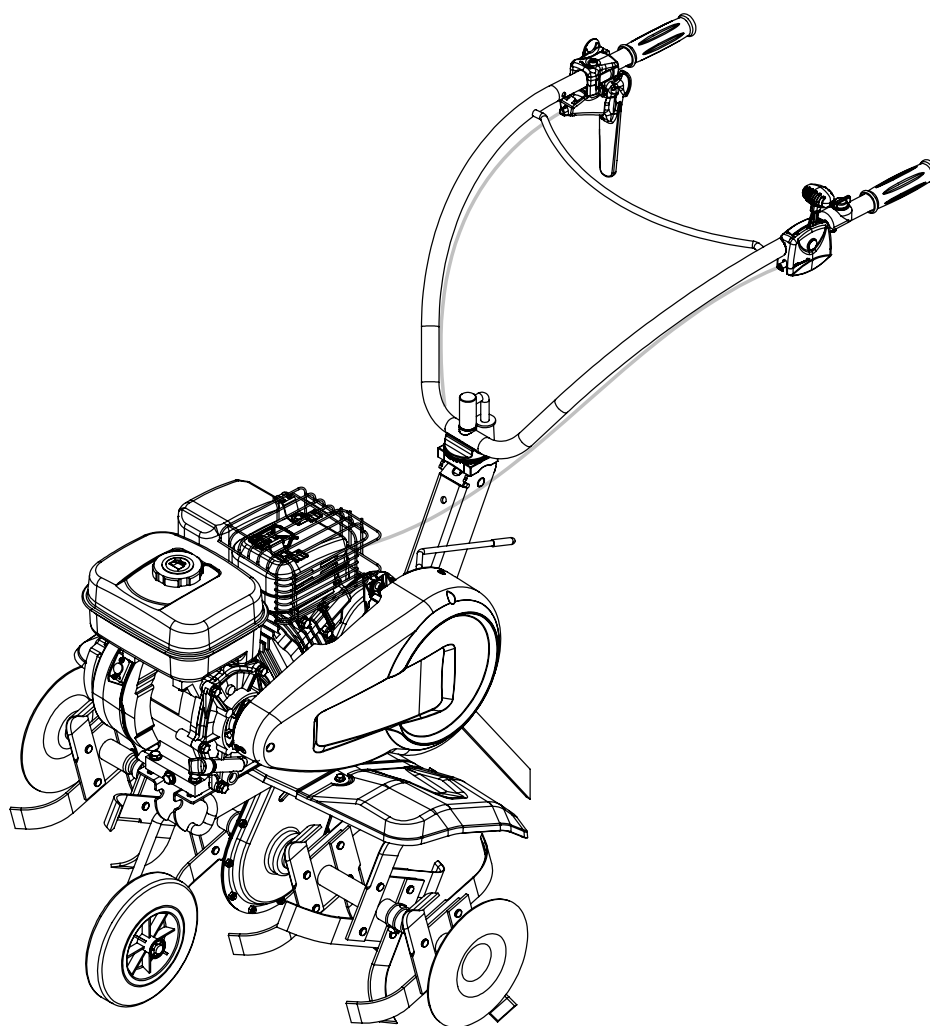
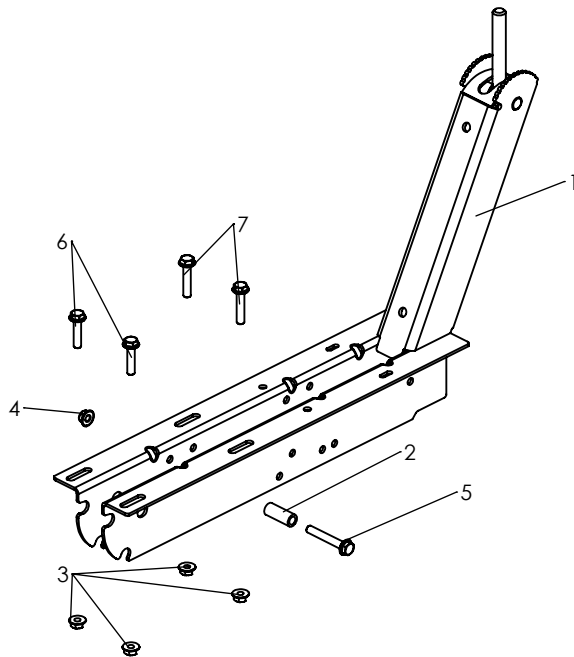


Pièces de rechange Spare parts list

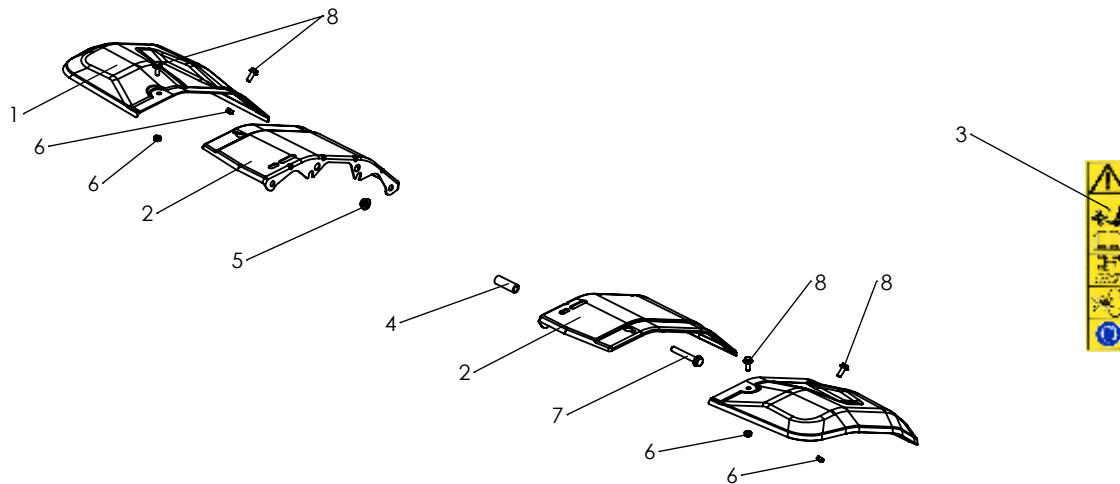
300030****



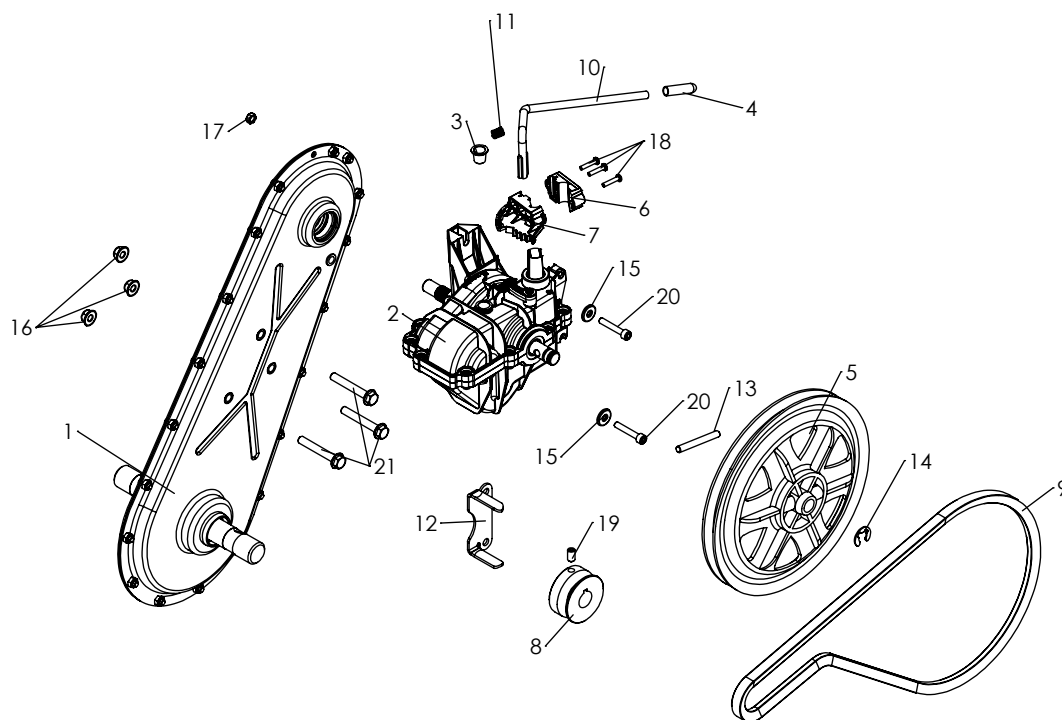
*MOTOBINEUSE
TILLER*



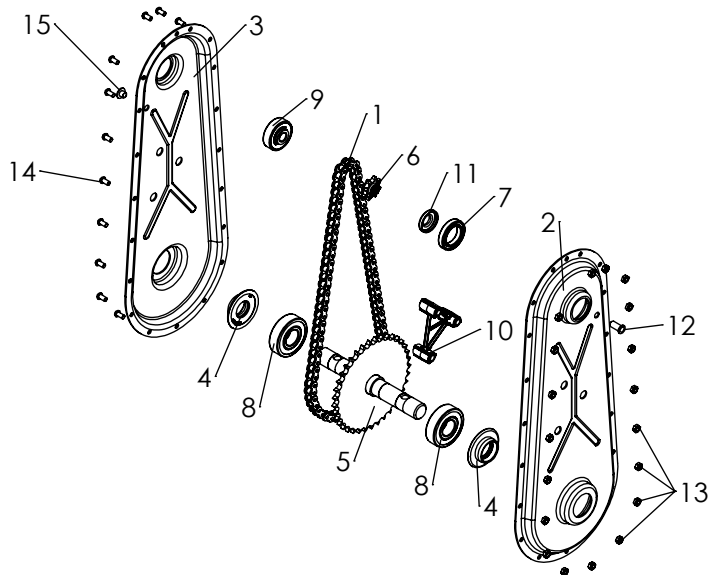
Rep N°	Ref.	Désignation	Description	Qté
1	3002300601	CHASSIS ARO GRIS (627)	ARO FRAME GREY (627)	1
1	3002300501	CHASSIS ARO GRIS (8120)	ARO FRAME GREY (8120)	1
1	3002300301	CHASSIS ARO NOIR RAL9005	ARO FRAME NOIR RAL9005	1
2	0302020015	ENTR. 14x9x35 xZNCR3x ENTRETOISE CHASSIS	SPACER 14x9x35 xZ	1
3	0300260801	ECROU HM 8 ZEMB CR DIN 6923-8	NUT H M8 Z NOTCHED SHOULDER	4
4	0300210805	ECROU BDR HM8 EMB LISSE DIN6927	NUT BDR HM8 SMOOTH BASE DIN6927	1
5	0300010837	VIS H 8x55 Z EMB CR DIN 6921 CL 6.8 FILETAGE PARTIEL	SCREW H 8x55 Z DIN 6921 NOTCHED SHOULDER CL 6.8	1
6	0300010834	VIS H 8x35 Z EMB CR DIN 6921	SCREW H 8x35 Z DIN 6921 NOTCHED SHOULDER CL 6.8	2
7	0300010817	VIS H 8x40 Z EMB CR DIN 6921	SCREW H M8 X 40	2



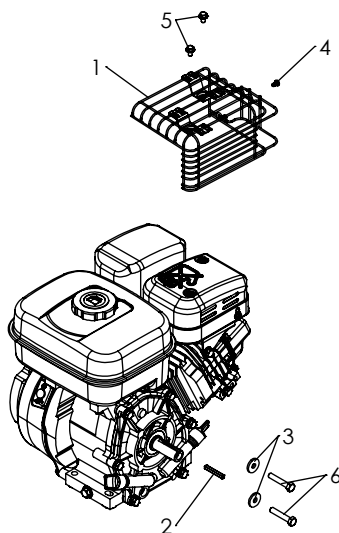
Rep N°	Ref.	Désignation	Description	Qté
1	3002182404	TOLE ADD ACIER F1401 ORANGE RAL2004	ADDITIONAL TINE GUARD ORANGE RAL2004	2
1	3002182304	TOLE ADD ACIER F1401 BLEU P301	ADDITIONAL TINE GUARD BLUE P301	2
1	3002182004	TOLE ADD ACIER F1401 VERT RAL 6029	ADDITIONAL TINE GUARD GREEN RAL 6029	2
1	3002181304	TOLE ADD ACIER F1401 ROUGE RAL 3001	ADDITIONAL TINE GUARD RED RAL 3001	2
1	3002180604	TOLE ADD ACIER F1401 GRIS (627)	ADDITIONAL TINE GUARD GREY (627)	2
1	3002180504	TOLE ADD ACIER F1401 GRIS (8120)	ADDITIONAL TINE GUARD GREY (8120)	2
1	3002180304	TOLE ADD ACIER F1401 NOIR RAL9005	ADDITIONAL TINE GUARD BLACK RAL9005	2
2	3002001332	TOLE PROTECTION F1401 ROUGE RAL3001	F1401 TINE GUARD RED RAL3001	2
2	3002000632	TOLE PROTECTION F1401 GRIS (627)	F1401 TINE GUARD GREY (627)	2
2	3002000532	TOLE PROTECTION F1401 GRIS (8120)	F1401 TINE GUARD GREY (8120)	2
2	3002000332	TOLE PROTECTION F1401 NOIR RAL9005	F1401 TINE GUARD BLACK RAL9005	2
3	0503000094	ETIQ. "SECURITE 6 LOGOS" CE	STICKER SECURITY	1
4	0302020225	ENTR. 14x8.2x41 Z	Spacer Ø8.2 x Ø14 x41	1
5	0300210805	ECROU BDR HM8 EMB LISSE DIN6927	NUT BDR HM8 SMOOTH BASE DIN6927	1
6	0300210602	ECROU FREIN M 6 Z DIN 985-8	BLOCKING NUT M 6 Z	4
7	0300010837	VIS H EMB CR M8x55 CLE13 CL8.8 A2K	SCREW H 8x55 Z NOTCHED SHOULDER CL 8.8	1
8	0300010609	VIS H 6x16 Z EMB CR DIN 6921	SCREW HM 6X16 Z NOTCHED SHOULDER	4



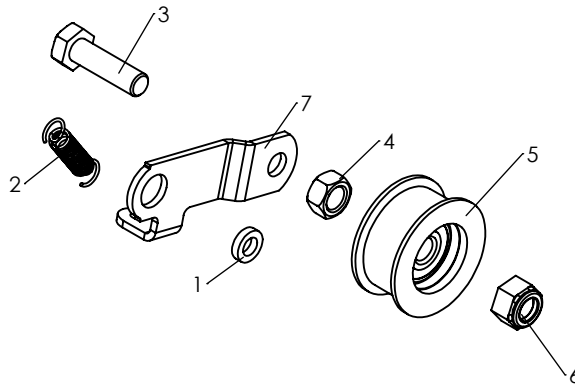
Rep N°	Ref.	Désignation	Description	Qté
1	3001000062	CARTER 8/37 BOULONNE BV	Bolted transmission 8/37	1
2	3001000061	BOITE DE VITESSE BV2+1R PLASTIQUE	Gear box 2 front speed 1 reverse speed	1
3	0341000132	BOUCHON ETANCHEITE EP 280 JAUNE	CAP	1
4	0341000131	EMBOUT LEVIER Ø7 LG40	LEVER CAP Ø7 LG40	1
5	0341000007	POULIE POLYA. xINV MECax	TRANSMISSION PULLEY	1
6	0340010200	BRIDE DE SELECTEUR	SPEED LEVER CLAMP	1
7	0340010199	SELECTEUR	SELECTOR	1
8	0306060005	POULIE MOT D55 ALES 19,06	ENGINE PULLEY D55 BORE Ø19,06	1
9	0306030090	COURROIE 4LK-440 SUPER KB	BELT 4LK-440	1
10	0305030027	LEVIER DE VITESSE F1401	SPEED LEVER	1
11	0305020015	RESSORT CP 9x15 12/10 GALVA	Locking spring	1
12	0304000035	GUIDE COURROIE POULIE D55	DRIVE BELT ENGINE PULLEY D55	1
13	0302010021	AXE FIXATION POULIE INVERSEUR MECANIQUE	PULLEY PIN SHAFT MECANIQUE	1
14	0301070026	ANNEAU ELASTIQUE RADIAL DIAM12 DIN6799	RADIAL RETAINING RING Ø12	1
15	0300410602	RONDELLE SPECIALE 6,3X19 X2,5Z	SPECIAL WASHER 6,3 x 19 x 2,5Z	2
16	0300210805	ECROU BDR HM8 EMB LISSE DIN6927	NUT BDR HM8 SMOOTH BASE DIN6927	3
17	0300210602	ECROU FREIN M 6 Z DIN 985-8	BLOCKING NUT M 6 Z	1
18	0300090403	VIS TORX WN 1452 K40x20	Screw WN 1452 K40x20 Torx	3
19	0300040801	VIS STHC 8 X 16 N BT POINTU DIN 914 45H	SCREW ST HC M8X16 DIN 914 45H	1
20	0300020604	VIS CHC 6 X 35 Z DIN 912 8.8	Screw CHC M6x35z	2
21	0300010837	VIS H EMB CR M8x55 CLE13 CL8.8 A2K	SCREW H 8x55 Z NOTCHED SHOULDER CL 8.8	3



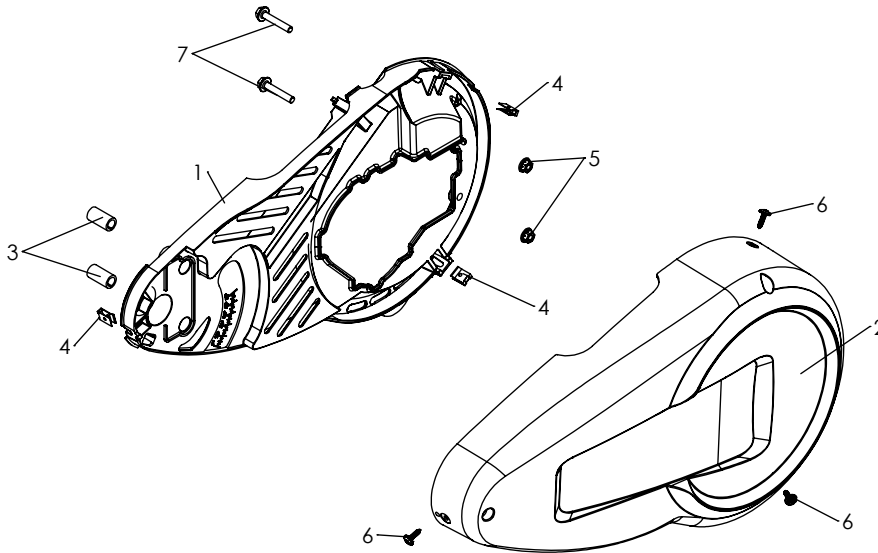
Rep N°	Ref.	Désignation	Description	Qté
1	0306020026	CHAINE ISO 08B-1 pas 12.7 78 maillons RSF	CHAIN (78 LINKS RSF) 08B 12.7	1
2	3002000324	JOUE DE CARTER 8/37 GAUCHE	Transmission housing 8/37 LEFT	1
3	3002000325	JOUE DE CARTER 8/37 DROITE	Transmission housing 8/37 RIGHT	1
4	0341000059	JOINT PU CARTER 1/5	TRANSMISSION SEAL	2
5	0306050045	ARBRE DE TRAVAIL 37DTS 12.7	Blade shaft 37 teeth 12.7	1
6	0306050016	PIGNON 8 DTS 12.7 SIMPLE cannelé	PIGNON 8 TOOTH 12.7 RIBBED	1
7	0306010037	ROULEMENT 6906 2RS	Ball bearing 6906 2RS	1
8	0306010020	ROULEMENT 6305 2 RS cl: 0	BALL BEARING 6305 2RS	2
9	0306010016	ROULEMENT 6204 2RS EPAULE	SPECIAL BALL BEARING 6204 2RS	1
10	0303000028	ENTRETOISE 3PTS CARTER 1/5	3PTS SPACER FOR 1/5 TRANSMISSION	1
11	0303000026	ENTRETOISE 34.5x16x9 CARTER 8/37	Transmission spacer	1
12	0300600604	INSERT M6 ROND BORGNE TOLE 1.5/3	Insert M6	1
13	0300210602	ECROU FREIN M 6 Z DIN 985-8	BLOCKING NUT M 6 Z	19
14	0300110604	VIS TORX M6X12 TETE CYLIND BOMB 6 LOBES INTER	Screw Torx M6x12	19
15	0341000124	BOUCHON 9,3X16X6,8 NATUREL	GREASE CAP	1



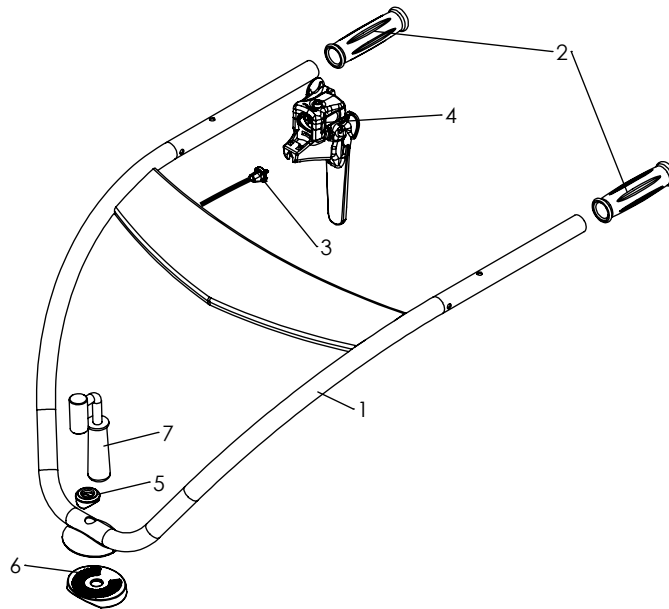
Rep N°	Ref.	Désignation	Description	EP Qté	R180 R210 Qté	GP160 Qté	GX120 GX160 Qté	750 SERIES Qté	950 SERIES Qté	BS65 Qté
1	0330092003	GRILLE ECHAPP R180/R210	EXHAUST GRILL R180/R210	-	1	-	-	-	-	-
1	0330032001	GRILLE ECHAPPEMENT EP	EXHAUST GRILL EP	1	-	-	-	-	-	-
1	0330012009	GRILLE ECHAP GP160	EXHAUST GRILL GP160	-	-	1	-	-	-	-
1	0330012003	GRILLE ECHAP GX120/GX160	EXHAUST GRILL GX120/GX160	-	-	-	1	-	-	-
2	0301040001	CLAVETTE 4.76X4.76X 40 BITS DRO TOL h 9 - XC 48	KEY 4.76X4.76X40 DRO TOL h 9 - XC 48	1	1	1	1	1	1	1
3	0300410802	RONDELLE 8 X 24 X 3	WASHER 8X24X3	2	2	2	2	2	2	2
4	0300080602	VIS TOLE TCB POZI 6,3 X 13 Z	POZIDRIVE SCREW M6x13Z	-	-	1	1	-	-	-
4	0300080404	VIS TOLE TCB 4.8X9.5 DIN 7981	SHEET SCREW TCB 4.8 X 9.5	1	-	-	-	-	-	-
5	0300080501	VIS METAUX TCB POZI 5X10 Z DIN 7985	POZIDRIVE SCREW M5x10Z	-	2	2	2	-	-	-
5	0300010620	VIS HM6 X 10 Z EMB LISSE CL6.8 NOIR x TETON CYL NFE25019	SCREW HM6 X 10 Z CL6.8 SMTH SHOULD PILOT PNT NFE25019	2	-	-	-	-	-	-
6	0300060519	VIS TH 5/16 UNF LG 1" 3/4	SCREW TH 5/16 UNF Lg 1" 3/4	2	-	2	2	-	2	-
6	0300010819	VIS H 8x45/22 N CL10.9 DIN931	Screw HM 8x45/22 N	-	2	-	-	2	-	2



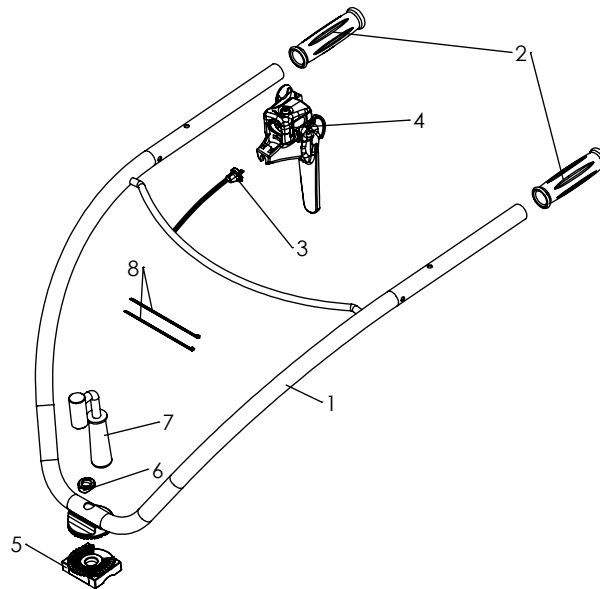
Rep N°	Ref.	Désignation	Description	Qté
1	0302020104	ENTR. 14x8x3 Z	SPACER 14x8x3 Z	1
2	0305010034	RESSORT TR Ø8x45 12/10 GAL	TENSION SPRING Ø8x45 12/10 GAL	1
3	0300011003	VIS H 10 X 35 FST Z NFEN 24017	SCREW HM 10X35Z FST	1
4	0300201001	ECROU H.U. M 10 BRUT DIN934 CL8.8	Nut HM 10 N	1
5	0341000003	GALET 2 EPAULEMENTS ROUL 6200 ZZ	CLUTCH RUNNER ROUL 6200 ZZ	1
6	0300211001	ECROU FREIN M 10 Z DIN 985/8	BLOCKING NUT M 10 Z	1
7	0304000503	LEVIER EMBRAYAGE	CLUTCH LEVER PLATE	1



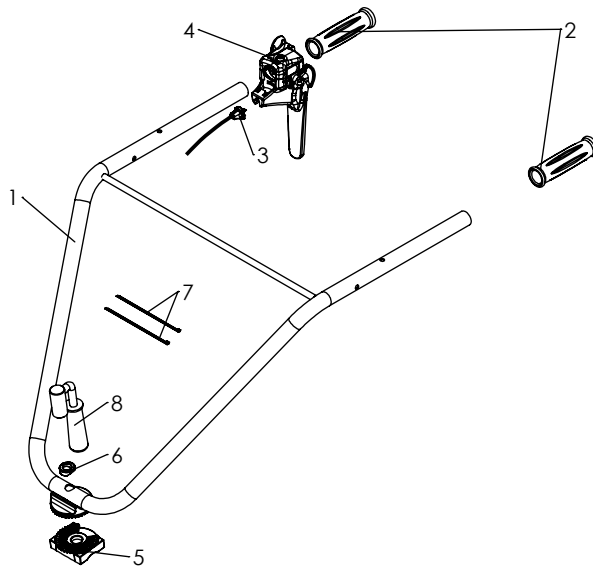
Rep N°	Ref.	Désignation	Description	Qté
1	3001803001	CACHE INT ARO ASSEMBLE	INTERIOR HIDE ARO	1
2	0340010204	CAPOT COURROIE M1201 EVO JAUNE RAL 1003	BELT COVER M1201 MK2 YELLOW RAL 1003	1
2	0340010203	CAPOT COURROIE M1201 EVO VERT RAL 6029	BELT COVER M1201 MK2 GREEN RAL 6029	1
2	0340010202	CAPOT COURROIE M1201 EVO BLEU RAL 5010	BELT COVER M1201 MK2 BLEU RAL 5010	1
2	0340010201	CAPOT COURROIE M1201 EVO ROUGE RAL 3001	BELT COVER M1201 MK2 RED RAL3001	1
2	0340010198	CAPOT COURROIE M1201 EVO NOIR RAL 9005	BELT COVER M1201 MK2 BLACK RA L9005	1
3	0302020223	ENTRETOISE ROULEE 9X13X25	SPACER 9X13X25	2
4	0301050001	CLIPS PRESTOLE Z/VIS 4.2 EP 4	CLIPS 4.2	3
5	0300260601	ECROU HM 6 ZEMB CR DIN 6923	NUT H M6 Z NOTCHED SHOULDER	2
6	0300080405	VIS TOLE TETE POELIER D11 POZI Cr 4.2X16 Z	SCREW POZI 4.2X16Z	3
7	0300010621	VIS H 6x35 Z EMB CR DIN 6921	SCREW H 6x35 Z DIN 6921	2



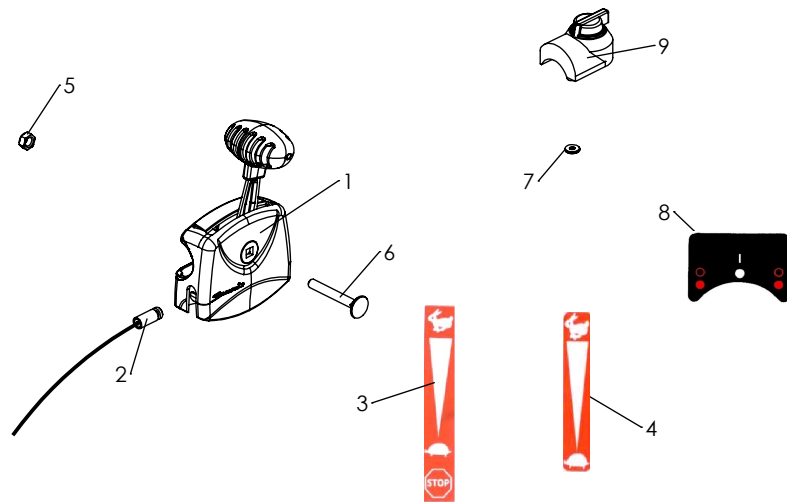
Rep N°	Ref.	Désignation	Description	Qté
1	3002000530	GUIDON HD ELLIPTIQUE BANDEAU GRIS RAL 8120	ELLIPTIC HANDLEBAR GREY RAL 8102	1
1	3002000330	GUIDON HD ELLIPTIQUE BANDEAU NOIR RAL 9005	ELLIPTIC HANDLEBAR BLACK RAL 9005	1
1	3002001330	GUIDON HD ELLIPTIQUE BANDEAU ROUGE RAL 3001	ELLIPTIC HANDLEBAR RED RAL 3001	1
1	3002002730	GUIDON HD ELLIPTIQUE BANDEAU GRIS RAL 7040	ELLIPTIC HANDLEBAR GREY RAL 7040	1
2	0341000036	POIGNEE PLASTI DIAM 25	Hand side grip Ø25	2
3	0308020080	CABLE EMBRAYAGE F1401	CLUTCH CABLE	1
4	0307010071	LEVIER EMBRAYAGE LMS C35 LMSM5CB00-ORL-F.IU	HANDLEVER LMS	1
5	0303000024	ENTRETOISE POIGNEE SERRAGE H16	Tightening lever spacer height 16	1
6	0303000023	NOIX CRANTEE M0701 LIAISON GUIDON	M0701 FILLER PIECE	1
7	0300801401	POIGNEE SERRAGE M14x150 EMBOUT NOIR	HANDLEBAR TIGHTENING LEVER	1



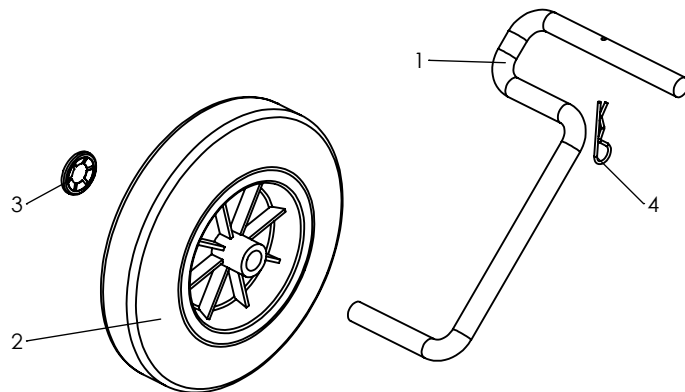
Rep N°	Ref.	Désignation	Description	Qté
1	3002002731	GUIDON HD ELLIPTIQUE FIL GRIS RAL7040	ELLIPTIQUE HANDLEBAR GREY RAL7040	1
1	3002001231	GUIDON HD ELLIPTIQUE FIL BLANC RAL9003	ELLIPTIQUE HANDLEBAR WHITE RAL9003	1
1	3002000631	GUIDON HD ELLIPTIQUE FIL GRIS (627)	ELLIPTIQUE HANDLEBAR GREY (627)	1
1	3002000531	GUIDON HD ELLIPTIQUE FIL GRIS (8120)	ELLIPTIQUE HANDLEBAR GREY (8120)	1
1	3002000331	GUIDON HD ELLIPTIQUE FIL NOIR RAL 9005	ELLIPTIQUE HANDLEBAR BLACK RAL 9005	1
2	0341000036	POIGNEE PLASTI DIAM 25	Hand side grip Ø25	2
3	0308020080	CABLE EMBRAYAGE F1401	CLUTCH CABLE	1
4	0307010071	LEVIER EMBRAYAGE LMS C35 LMSM5CB00-ORL-F.IU	HANDLEVER LMS	1
5	0303000007	PIECE INTERMEDIAIRE Avec logem ergot rotation	FILLER PIECE	1
6	0302020037	ENTRETOISE POIGNEE SERRAGE	TIGHTENING LEVER SPACER	1
7	0300801401	POIGNEE SERRAGE M14x150 EMBOUT NOIR	HANDLEBAR TIGHTENING LEVER	1
8	0301060003	COLLIER POLYAM.3.6 X 140 NOIR	COLLAR	2



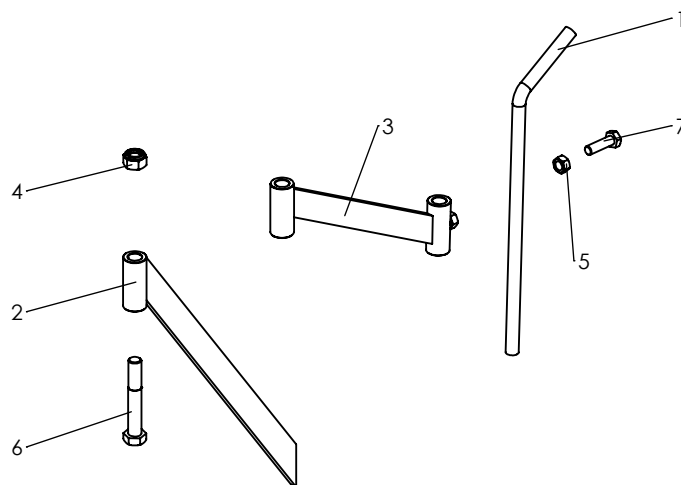
Rep N°	Ref.	Désignation	Description	Qté
1	3002004323	GUIDON HD DROIT GRIS ALU 11 METALLISE	PRIMO HANDLEBAR GREY ALU 11 METALLIC	1
1	3002004029	GUIDON HD DROIT GRIS ALU RAL9006	PRIMO HANDLEBAR GREY ALU RAL9006	1
1	3002000529	GUIDON HD DROIT GRIS (8120)	PRIMO HANDLEBAR GREY (8120)	1
1	3002000329	GUIDON HD DROIT NOIR RAL 9005	PRIMO HANDLEBAR BLACK RAL 9005	1
2	0341000036	POIGNEE PLASTI DIAM 25	Hand side grip Ø25	2
3	0308020080	CABLE EMBRAYAGE F1401	CLUTCH CABLE	1
4	0307010071	LEVIER EMBRAYAGE LMS C35 LMSM5CB00-ORL-F.IU	HANDLEVER LMS	1
5	0303000007	PIECE INTERMEDIAIRE Avec logem ergot rotation	FILLER PIECE	1
6	0302020037	ENTRETOISE POIGNEE SERRAGE	TIGHTENING LEVER SPACER	1
7	0301060003	COLLIER POLYAM.3.6 X 140 NOIR	COLLAR	2
8	0300801401	POIGNEE SERRAGE M14x150 EMBOUT NOIR	HANDLEBAR TIGHTENING LEVER	1



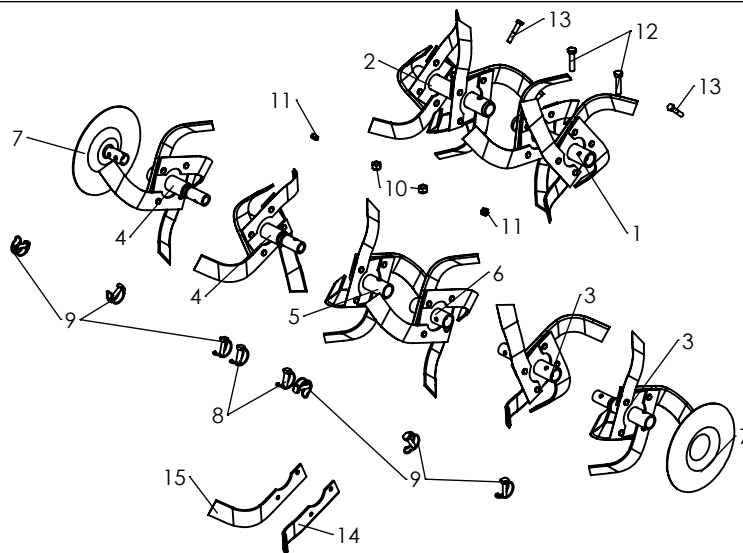
Rep N°	Ref.	Désignation	Description	Qté
1	0307020023	MANETTE GAZ LGC POMMEAU NOIR RAL9005	THROTTLE LEVER LGC BLACK KNOB RAL9005	1
2	0308040050	CABLE GAZ x1050 xLF60 Z0° MANETTE LGC	Throttle cable Lg 1050mm stroke 60mm	1
3	0503000045	ETIQ. POIGNEE GAZ (AVEC STOP)	STICKER THROTTLE CONTROL STOP-MIN-MAX	1
4	0503000043	ETIQ. GAZ (SS STOP)VERS PNEUM DIM 42X11	Label throttle control without stop	1
5	0300210602	ECROU FREIN M 6 Z DIN 985-8	BLOCKING NUT M 6 Z	1
6	0300080610	VIS TRCC 6 X 45/20 Z Din603	SCREW TRCC 6 X 45 Z	1
7	0300400301	RONDELLE PLATE 3.2x10x1 Z	Washer M 3.2x10x1 Z	1
8	0503000031	ETIQ. MARCHE-ARRET SWITCH DIM 20 X 15	STICKER SWITCH ON-OFF GX	1
9	0330062001	SWITCH ON/OFF LONCIN	SWITCH ON/OFF LONCIN	1



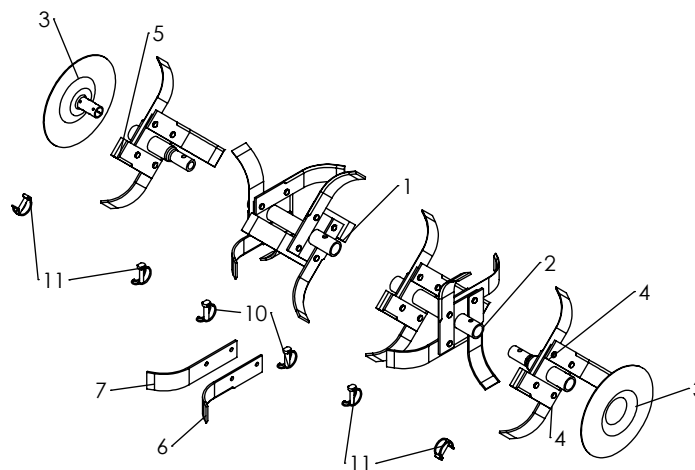
Rep N°	Ref.	Désignation	Description	Qté
1	3002000107	SUPPORT ROUE FIL DIA 14 ZNCR3	TRANSPORT WHEEL SUPPORT WIRE D14 ZNCR3	1
2	0309000030	ROUE 200 ALES 14 MOY 60 NOIR	BLACK WHELL D200 BORE 14 LG.60	1
3	0300461401	RONDELLE STARLOCK DIA 14	STARLOCK WASHER DIA 14	1
4	0301030001	GOUPILLE BETA 2 Z x 50	CLIP PIN BETA 2 Z	1



Rep N°	Ref.	Désignation	Description	Qté
1	3002000310	TIGE EPERON REGL. PRIMO NOIR	Black prop leg	1
2	3002000302	EPERON PRIMO NOIR RAL9005	SPUR FOR PRIMO BLACK RAL9005	1
3	3002000301	CORPS EPERON REGL. PRIMO NOIR	Black adjustable spur support	1
4	0300211402	ECROU FREIN M14 Z DIN 985-8	Blocking nut M 14 Z DIN 985-8	1
5	0300201002	ECROU H.U. M 10 Z DIN 934	NUT HM 10Z	1
6	0300011401	VIS H 14 X 90/34 Z CL 8.8 NFE 24014 - ISO 4014	Screw H M14x90-34 z cl 8.8 NFE 24014 - ISO 4014	1
7	0300011015	VIS HM10 X 30 Z NFEN24017 CL8.8 FST	Screw HM 10x30z FST	1



Rep N°	Ref.	Désignation	Description	Qté
1	0320010020	FRAISE DEPART MONO GAUCHE D25 HEL 40X4	LEFT TWIN TINES D25 HELICOID BLADE (40X4)	1
2	0320010019	FRAISE DEPART MONO DROITE D25 HEL 40X4	RIGHT TWIN TINES D25 HELICOID BLADE (40X4)	1
3	0320010008	FRAISE ADDIT HEL 40X4 GAUCHE	LEFT ADDITIONAL TINE D25 HELICOID BLADE (40X4)	2
4	0320010007	FRAISE ADDIT HEL 40X4 DROIT	RIGHT ADDITIONAL TINE D25 HELICOID BLADE (40X4)	2
5	0320010006	FRAISE DEPART DEM HEL 40X4 DROIT	RIGHT TINE REMOVABLE D25 HELICOID BLADE (40X4)	1
6	0320010005	FRAISE DEPART DEM HEL 40X4 GAUCHE	LEFT TINE REMOVABLE D25 HELICOID BLADE (40X4)	1
7	0320010001	DISQUE D25 NOIR RAL9005	DISK D25 BLACK RAL9005	2
8	0301010014	GOUPILLE CLIPS 10 x 36	CLIP PIN D10 x 36	2
9	0301010013	GOUPILLE CLIPS 8 x 36	CLIP PIN D8 x 36	6
10	0300211001	ECROU FREIN M 10 Z DIN 985/8	BLOCKING NUT M 10 Z	2
11	0300210802	ECROU FREIN M 8 Z DIN 985/8	BLOCKING NUT HM 8 Z DIN 985/8	4
12	0300011009	VIS H 10x45/26 N CL10.9 DIN931	Screw H M10x45/26 N	2
13	0300010819	VIS H 8x45/22 N CL10.9 DIN931	Screw HM 8x45/22 N	4
14	0001000030	COUTEAU HEL 40X4 GAUCHE	LEFT SPIRAL BLADE	1
15	0001000029	COUTEAU HEL 40x4 DROIT	RIGHT SPIRAL BLADE	1



Rep N°	Ref.	Désignation	Description	Qté
1	0320010021	FRAISE DEPART MONO STD 40X4 DROIT	RIGHT TWIN TINES D25 STRAIGHT BLADE (40X4)	1
2	0320010022	FRAISE DEPART MONO STD 40X4 GAUCHE	LEFT TWIN TINES D25 STRAIGHT BLADE (40X4)	1
3	0320010001	DISQUE D25 NOIR RAL9005	DISK D25 BLACK RAL9005	2
4	0320010016	FRAISE ADDIT STD 40X4 GAUCHE	LEFT ADDITIONAL TINE D25 STRAIGHT BLADE (40X4)	2
5	0320010015	FRAISE ADDIT STD 40X4 DROIT	RIGHT ADDITIONAL TINE D25 STRAIGHT BLADE (40X4)	2
6	0001000021	COUTEAU PRIMO 40X4 GAUCHE	Blade LH 40x4	1
7	0001000020	COUTEAU PRIMO 40x4 DROITE	BLADE RH 40x4	1
8	0320010014	FRAISE DEPART DEM STD 40X4 GAUCHE	LEFT TINE REMOVABLE D25 STRAIGHT BLADE (40X4)	1
9	0320010013	FRAISE DEPART DEM STD 40X4 DROIT	RIGHT TINE REMOVABLE D25 STRAIGHT BLADE (40X4)	1
10	0301010014	GOUPILLE CLIPS 10 x 36	CLIP PIN D10 x 36	2
11	0301010013	GOUPILLE CLIPS 8 x 36	CLIP PIN D8 x 36	6
12	0300010819	VIS H 8x45/22 N CL10.9 DIN931	Screw HM 8x45/22 N	2
13	0300011009	VIS H 10x45/26 N CL10.9 DIN931	Screw H M10x45/26 N	2
14	0300211001	ECROU FREIN M 10 Z DIN 985/8	BLOCKING NUT M 10 Z	2
15	0300210802	ECROU FREIN M 8 Z DIN 985/8	BLOCKING NUT HM 8 Z DIN 985/8	2