



Illustrated Parts List

Model Series

12A100

TYPE NUMBERS
0111 through 8921.

TABLE OF CONTENTS

Blower Housing/Shrouds	6
Camshaft	2
Carburetor	4
Controls	5
Crankcase Cover	2
Crankshaft	2
Cylinder	2
Cylinder Head	3
Electric Starter	7
Exhaust System	6
Flywheel	6
Fuel Supply	4
Governor Spring	5
Ignition	5
Kits/Gaskets - Carburetor	4
Kits/Gaskets - Engine	2
Kits/Gaskets - Valves	3
Lubrication	2
Piston Group	2
Rewind Starter	5

Not for reproduction



PRINTED IN U.S.A.

COPYRIGHT by BRIGGS & STRATTON CORPORATION
All rights reserved. No part of this material may be reproduced or transmitted, in any form or by any means, electronic or mechanical, including photocopying, recording or by any information storage and retrieval system, without permission in writing from Briggs & Stratton Corporation.

12A100

1319 WARNING LABEL



REQUIRED when replacing parts with warning labels affixed.

1319A WARNING LABEL



REQUIRED when replacing parts with warning labels affixed.

1330 REPAIR MANUAL

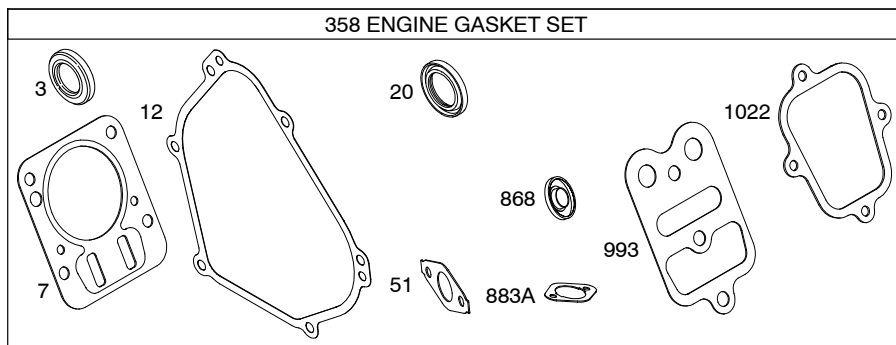
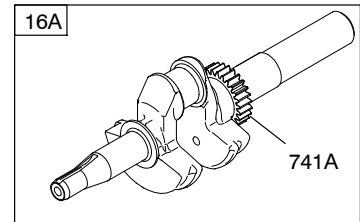
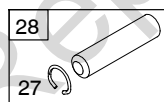
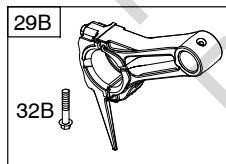
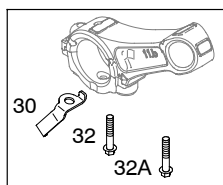
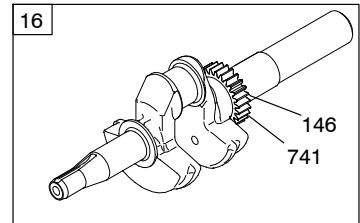
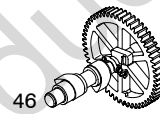
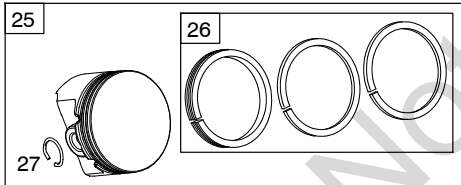
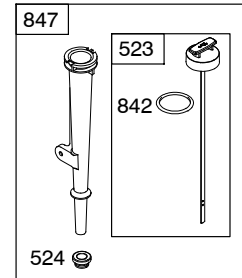
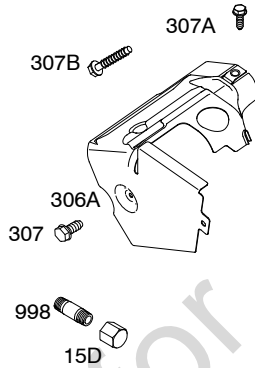
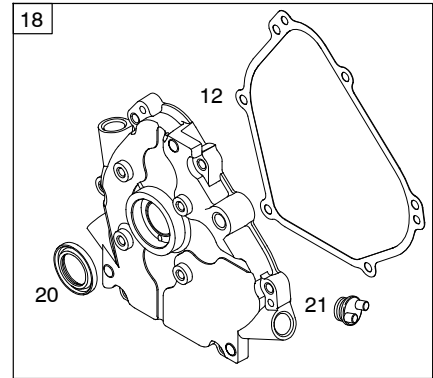
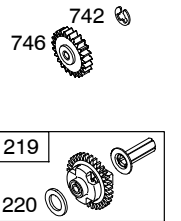
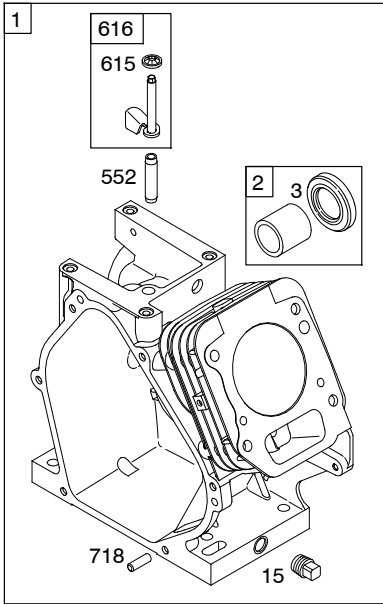


1058 OPERATOR'S MANUAL

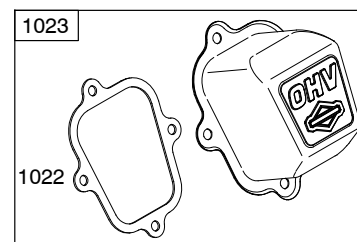
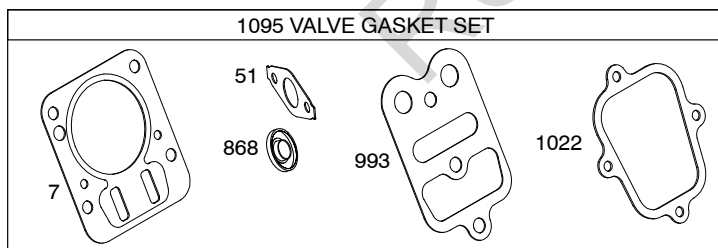
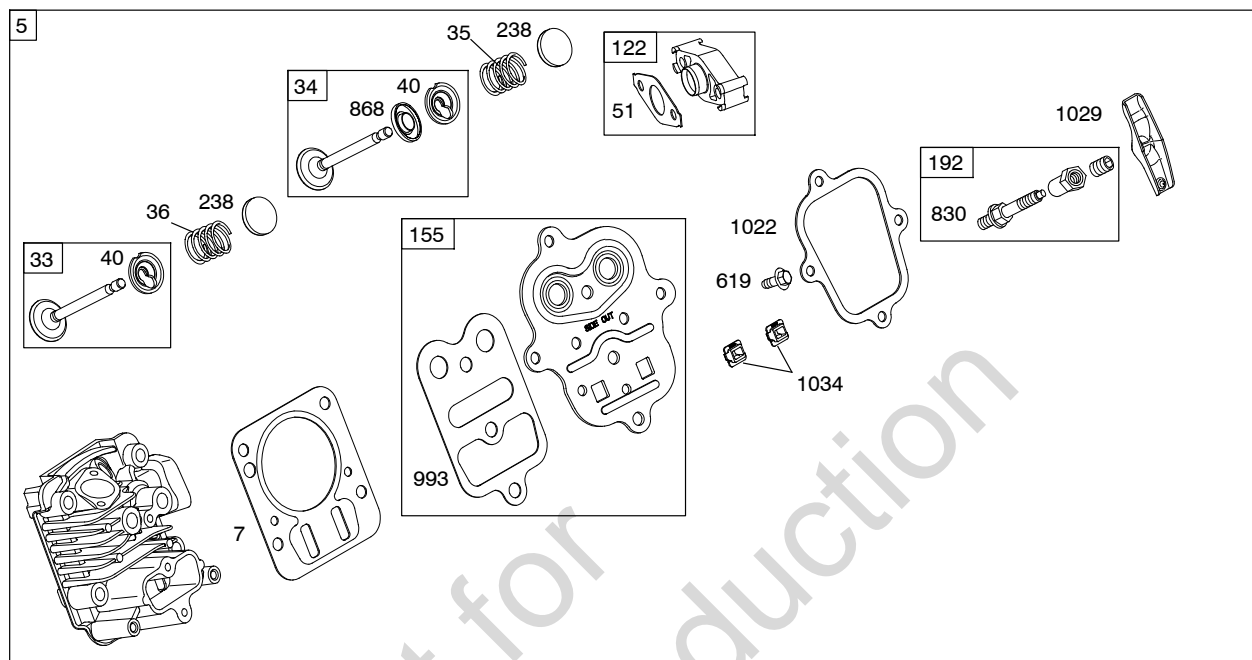
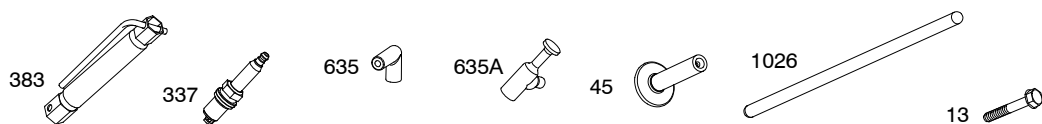


1036 EMISSIONS LABEL

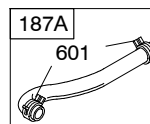
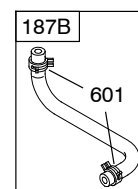
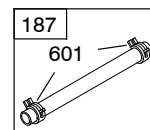
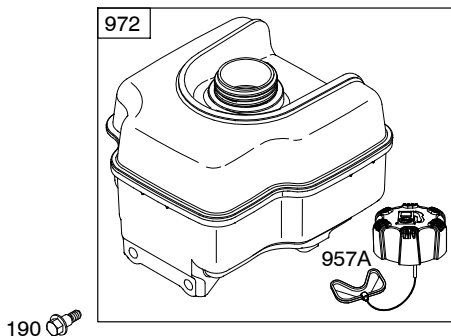
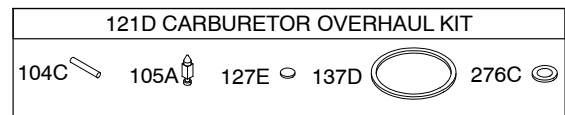
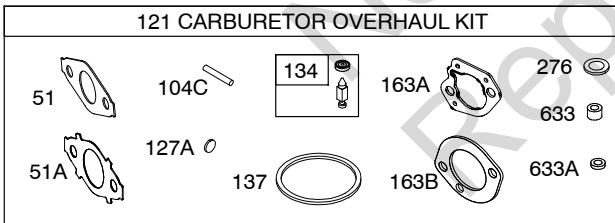
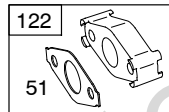
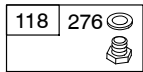
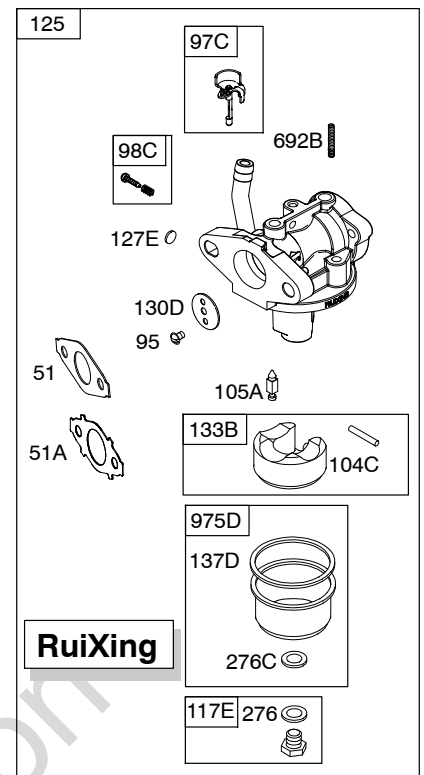
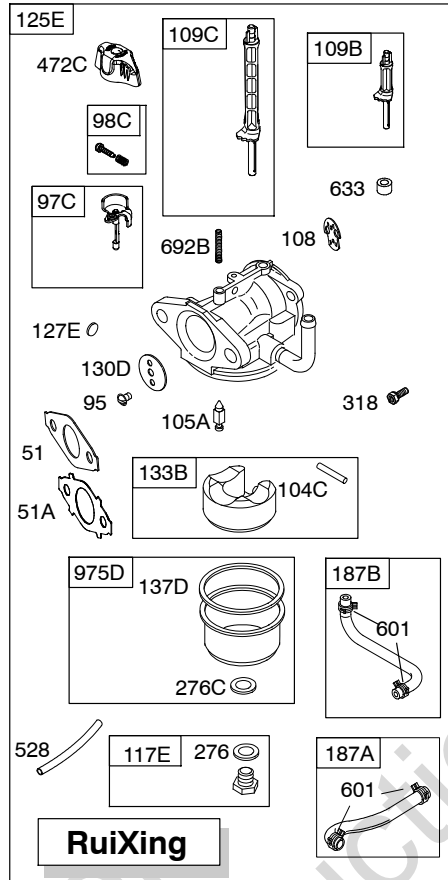
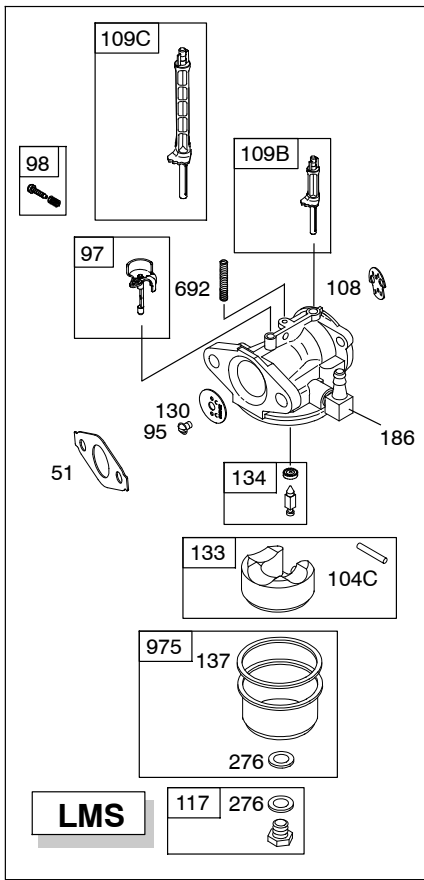
1019 LABEL KIT



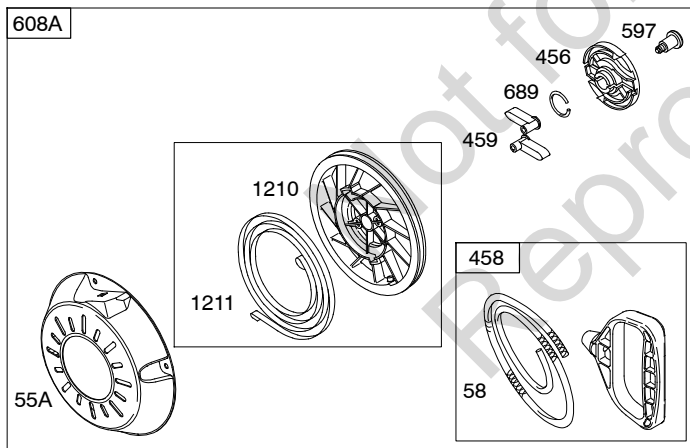
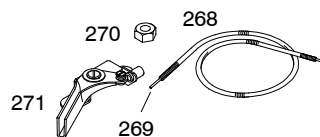
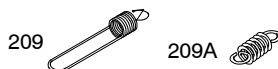
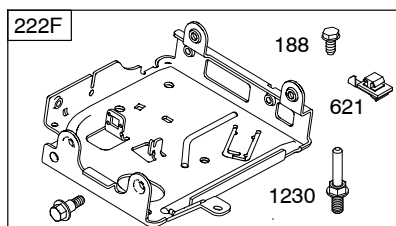
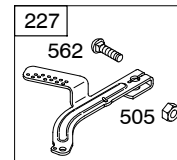
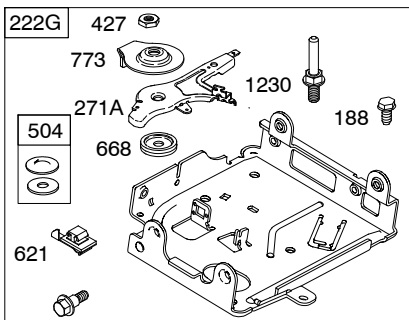
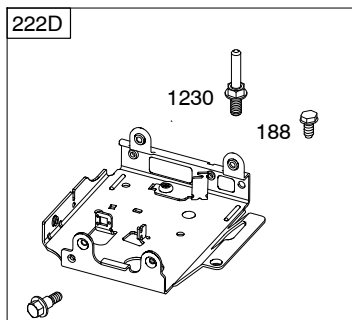
Illustrations cover a range of engines. Parts shown without corresponding text may not be used on your specific engine.
 3403-2 Assemblies include all parts shown in frames. 09/28/2012



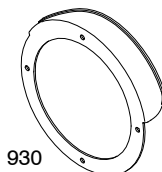
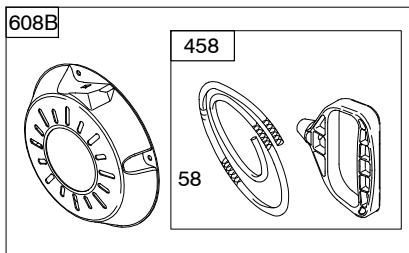
12A100



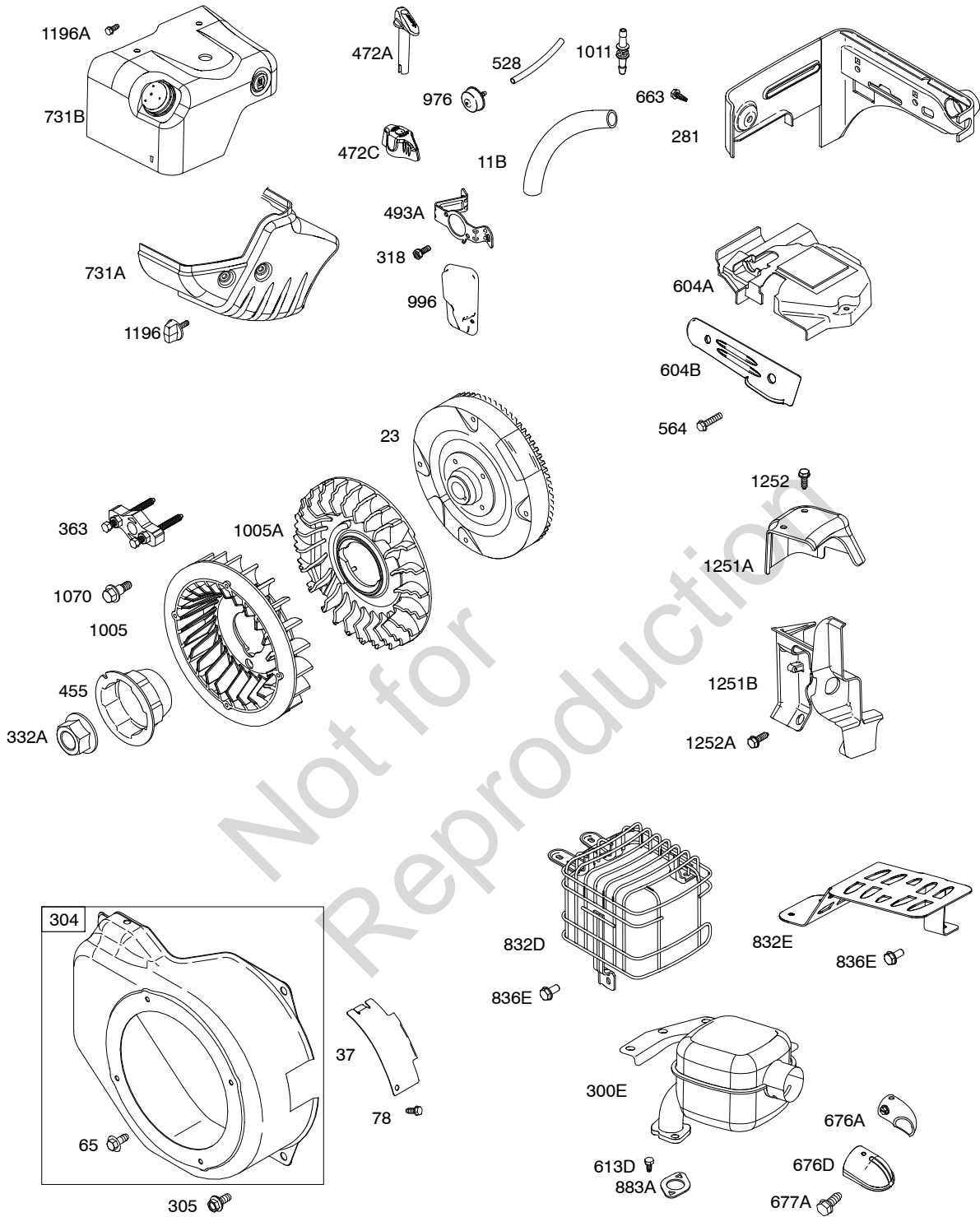
Illustrations cover a range of engines. Parts shown without corresponding text may not be used on your specific engine.
 3403-4 Assemblies include all parts shown in frames. 09/28/2012



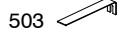
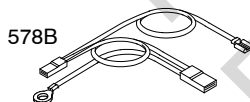
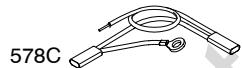
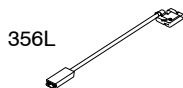
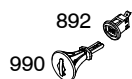
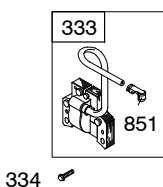
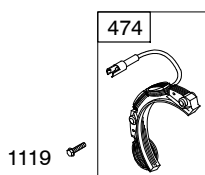
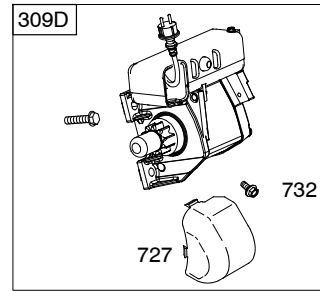
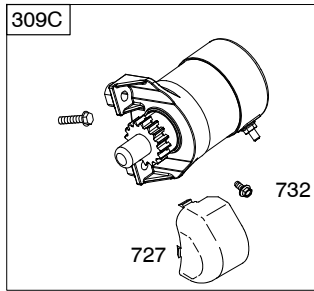
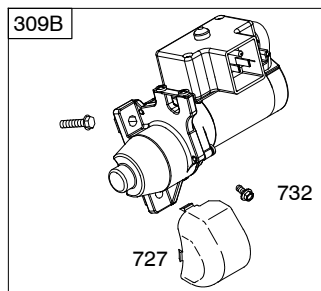
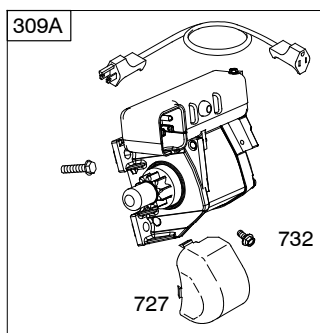
65A



12A100



Illustrations cover a range of engines. Parts shown without corresponding text may not be used on your specific engine.
3403-6 Assemblies include all parts shown in frames. 09/28/2012



Not for
Reproduction

Illustrations cover a range of engines. Parts shown without corresponding text may not be used on your specific engine.
 3403-7 Assemblies include all parts shown in frames. 09/28/2012

12A100

REF. NO.	PART NO.	DESCRIPTION	REF. NO.	PART NO.	DESCRIPTION	REF. NO.	PART NO.	DESCRIPTION
97	690024	Shaft-Throttle	163A	792870	Gasket-Air Cleaner (High Mount Air Cleaner)	187B	798907	Line-Fuel (Molded) (Used After Code Date 10043000).
97C	797628	Shaft-Throttle						----- Note -----
98	398185	Kit-Idle Speed						791874 Line-Fuel (Molded)
98C	797156	Kit-Idle Speed	163B	696024	Gasket-Air Cleaner (Flat Panel Air Cleaner)			(Used Before Code Date 10050100).
104C	797622	Pin-Float Hinge						798907 Line-Fuel (Molded)
105A	797139	Valve-Float Needle						(Used After Code Date 10042900).
108	796993	Valve-Choke	186	692317	Connector-Hose			Used on Type No(s). 0139, 0921.
109B	695729	Shaft-Choke	187	791766	Line-Fuel (Cut to Required Length)			791874 Line-Fuel (Molded)
109C	791954	Shaft-Choke						(Used After Code Date 09070800 and Before Code Date 10043000).
117	690048	Jet-Main (Standard)	187A	798908	Line-Fuel (Molded)			Used on Type No(s). 0139.
117E	798930	Jet-Main (Standard)						798907 Line-Fuel (Molded)
118	498977	Jet-Main (High Altitude)						(Used Before Code Date 09070900).
118E	798661	Jet-Main (High Altitude)						Used on Type No(s). 0139.
121	792006	Kit-Carburetor Overhaul (High Altitude)						791874 Line-Fuel (Molded)
121D	797634	Kit-Carburetor Overhaul						(Used After Code Date 09070800 and Before Code Date 10043000).
122	795643	Spacer-Carburetor (Black)						Used on Type No(s). 0139.
		----- Note -----						798907 Line-Fuel (Molded)
		795208 Spacer-Carburetor (Grey/Coffee)						(Used Before Code Date 09070900).
125	593357	Carburetor (Used After Code Date 10043000).						Used on Type No(s). 0139.
125E	798917	Carburetor (Used Before Code Date 10050100).						791874 Line-Fuel (Molded)
127	694468	Plug-Welch						(Used After Code Date 09081000 and Before Code Date 10043000).
127A	691739	Plug-Welch						Used on Type No(s). 0921.
127E	797633	Plug-Welch						798907 Line-Fuel (Molded)
130	691181	Valve-Throttle						(Used Before Code Date 09081100).
130D	797630	Valve-Throttle						Used on Type No(s). 0921.
133	398187	Float-Carburetor						
133B	797136	Float-Carburetor						
134	398188	Kit-Needle/Seat				188	699479	Screw (Control Bracket)
137	693981	Gasket-Float Bowl				190	699220	Screw (Fuel Tank)
137D	798932	Gasket-Float Bowl				192	797440	Adjuster-Rocker Arm (Metric)
146	690979	Key-Timing						(Used After Code Date 09061700).
155	797442	Plate-Cylinder Head (Metric) (Used After Code Date 09061700).						----- Note -----
		----- Note -----						694543
		698214 Plate-Cylinder Head (SAE) (Used Before Code Date 09061800).						Adjuster-Rocker Arm (SAE) (Used Before Code Date 09061800).

Illustrations cover a range of engines. Parts shown without corresponding text may not be used on your specific engine.
 3403-9 Assemblies include all parts shown in frames. 09/28/2012

12A100

REF. NO.	PART NO.	DESCRIPTION	REF. NO.	PART NO.	DESCRIPTION	REF. NO.	PART NO.	DESCRIPTION
209	693206	Spring-Governor (Used After Code Date 10043000). ----- Note ----- 692571 Spring-Governor (Used Before Code Date 10050100). 696206 Spring-Governor (Used After Code Date 10042900). Used on Type No(s). 0139, 0921. 692571 Spring-Governor (Used After Code Date 09081000 and Before Code Date 10043000). Used on Type No(s). 0921. 696206 Spring-Governor (Used Before Code Date 09070900). Used on Type No(s). 0139. 696206 Spring-Governor (Used Before Code Date 09081100). Used on Type No(s). 0921. 692571 Spring-Governor Used on Type No(s). 0168, 3100.	222G	793109	Bracket-Control	309A	796238	Motor-Starter Used on Type No(s). 0138. ----- Note ----- 796238 Motor-Starter (Used Before Code Date 10050100). Used on Type No(s). 0938, 1204, 1354, 8204, 8354.
			227	794367	Lever-Governor Control			
			238	691300	Cap-Valve	309B	799038	Motor-Starter Used on Type No(s). 0148, 0151, 0157. ----- Note ----- 798884 Motor-Starter Used on Type No(s). 0116, 0149, 0159, 0169, 0166, 1467, 2354, 2467. 798884 Motor-Starter (Used After Code Date 10043000). Used on Type No(s). 0938, 1204, 1354, 8204, 8354.
			268	691025	Control Wire Casing (Cut to Required Length)			
			269	691026	Control Wire (Cut to Required Length)	309C	799330	Motor-Starter Used on Type No(s). 0114.
			270	691027	Nut (Control Wire Casing)	309D	699786	Motor-Starter Used on Type No(s). 0113, 0117, 0144, 0155, 0162, 0163, 0170.
			271	691028	Lever-Control	318	798649	Screw (Mounting Bracket) (Metric) ----- Note ----- 690370 Screw (Mounting Bracket) (SAE)
			271A	698038	Lever-Control			
			276	271716	Washer-Sealing	332A	591988	Nut (Flywheel)
			276C	797632	Washer-Sealing			
			281	793122	Panel-Control			
			287	699234	Screw (Dipstick Tube)			
			300E	798173	Muffler (Used After Code Date 05101800). 790548 Muffler (Used Before Code Date 05101900). 799048 Muffler Used on Type No(s). 0145, 0146, 0147, 0148, 0151, 0156, 0157, 0160. 799525 Muffler Used on Type No(s). 0113, 0116, 0117, 0165, 1466, 2466.			
209A	691278	Spring-Governor	304	699598	Housing-Blower			
219	693578	Gear-Governor	305	699481	Screw (Blower Housing)			
220	691724	Washer (Governor Gear)	306A	695710	Shield-Cylinder			
222D	790549	Bracket-Control (Used Before Code Date 06051500).	307	699483	Screw (Cylinder Shield)			
222F	793100	Bracket-Control (Used After Code Date 06051400).	307A	699234	Screw (Cylinder Shield)			
			307B	790557	Screw (Cylinder Shield)			

Illustrations cover a range of engines. Parts shown without corresponding text may not be used on your specific engine.
3403-10 Assemblies include all parts shown in frames. 09/28/2012

REF. NO.	PART NO.	DESCRIPTION	REF. NO.	PART NO.	DESCRIPTION	REF. NO.	PART NO.	DESCRIPTION
333	796964	Armature-Magneto	456	692299	Plate-Pawl Friction	578A	790481	Wire Assembly
334	699477	Screw (Magneto Armature)	458	699334	Kit Handle/Rope	578B	791956	Wire Assembly
337	491055S	Plug-Spark (Resistor)	459	281505S	Pawl-Ratchet	578C	794819	Wire-Stop
		----- Note -----	472A	790553	Knob-Choke Shaft	597	691696	Screw (Pawl Friction Plate)
		691043 Plug-Spark (EMS)	472C	791948	Knob-Choke Shaft	598	220624	Shim-End Play
347	795333	Switch-Rocker	474	793640	Alternator	601	791850	Clamp-Hose
356C	695630	Wire-Stop			----- Note -----	604A	793134	Cover-Control
356L	790552	Wire-Stop			797090 Alternator	604B	790473	Cover-Control
358	791797	Set-Engine Gasket			Used on Type No(s). 0141, 0156, 0165, 0166, 1466, 1467, 2466, 2467.	608A	699335	Starter-Rewind
363	19203	Puller-Flywheel			698314 Alternator			----- Note -----
365	699484	Screw (Carburetor)			Used on Type No(s). 0161, 0162.			699335 Starter- Rewind
383	19576S	Wrench-Spark Plug	485	695755	Knob-Control			(Used Before Code Date 09050600).
427	798458	Nut (Control Bracket)	493A	695744	Bracket-Mounting			Used on Type No(s). 0138, 0139, 1204
455	591302	Cup-Flywheel	493B	691177	Bracket-Mounting	608B	797430	Starter-Rewind
		----- Note -----	501	698315	Regulator			(Used After Code Date 09050500).
		797431 Cup-Flywheel (Used After Code Date 09050500).	503	699889	Strap-Starter			Used on Type No(s). 0113, 0114, 0116, 0117, 0131, 0138, 0139, 0141, 0144, 0145, 0146, 0147, 0148, 0149, 0151, 0152, 0154, 0155, 0156, 0157, 0159, 0160, 0161, 0162, 0163, 0164, 0165, 0166, 0168, 0169, 0170, 0174, 0921, 0938, 1204, 1354, 1466, 1467, 2134, 2354, 2466, 2467, 2921, 3100, 8204, 8354, 8921.
		591302 Cup-Flywheel (Used Before Code Date 09050600).	504	695383	Washer Set-Friction			0152, 0154, 0155, 0156, 0157, 0159, 0160, 0161, 0162, 0163, 0164, 0165, 0166, 0168, 0169, 0170, 0174, 0921, 0938, 1204, 1354, 1466, 1467, 2134, 2354, 2466, 2467, 2921, 3100, 8204, 8354, 8921.
		Used on Type No(s). 0138, 0139, 1204	505	691251	Nut (Governor Control Lever)			0113, 0114, 0116, 0117, 0131, 0138, 0139, 0141, 0144, 0145, 0146, 0147, 0148, 0149, 0151, 0152, 0154, 0155, 0156, 0157, 0159, 0160, 0161, 0162, 0163, 0164, 0165, 0166, 0168, 0169, 0170, 0174, 0921, 0938, 1204, 1354, 1466, 1467, 2134, 2354, 2466, 2467, 2921, 3100, 8204, 8354, 8921.
442	790282	Screw (Starter Strap)	523	798469	Dipstick (Used After Code Date 10022100).			0113, 0114, 0116, 0117, 0131, 0138, 0139, 0141, 0144, 0145, 0146, 0147, 0148, 0149, 0151, 0152, 0154, 0155, 0156, 0157, 0159, 0160, 0161, 0162, 0163, 0164, 0165, 0166, 0168, 0169, 0170, 0174, 0921, 0938, 1204, 1354, 1466, 1467, 2134, 2354, 2466, 2467, 2921, 3100, 8204, 8354, 8921.
					----- Note -----	613D	791972	Screw (Muffler)
					693618 Dipstick	615	692576	Retainer-Governor Shaft
					Used on Type No(s). 0130, 0145, 0146, 0147, 0148, 0151, 0156, 0157, 0160.	616	692547	Crank-Governor
			524	281370S	Seal-Dipstick Tube	619	699230	Screw (Cylinder Head Plate)
			526	690297	Screw (Regulator)			
			528	793006	Hose-Primer			
			552	692346	Bushing-Governor Crank			
			562	691119	Bolt (Governor Control Lever)			
			564	699854	Screw (Control Cover)			

Not for
Reproduction

Not for
Reproduction

Not for
Reproduction

