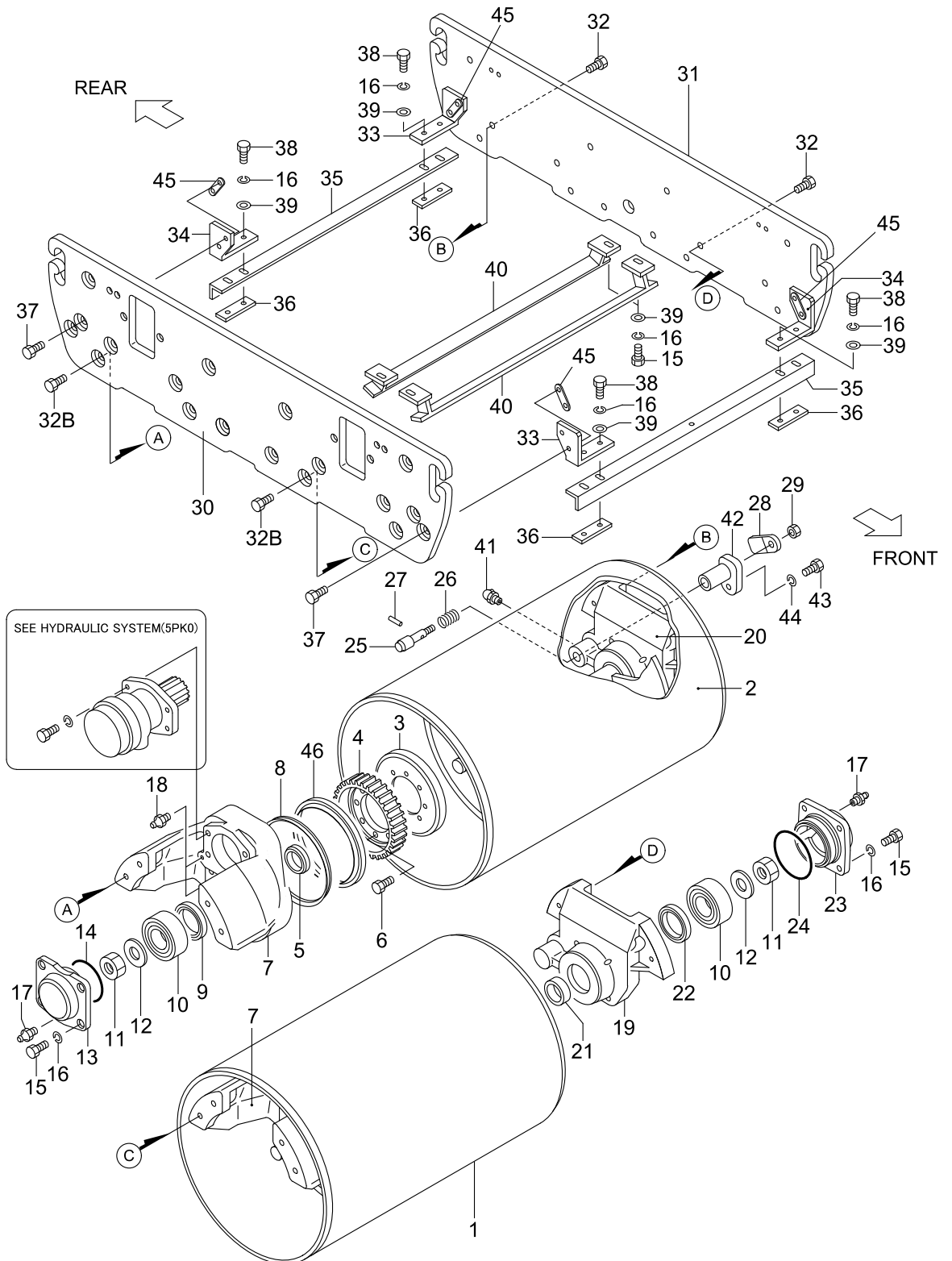


AXLE

**MRH-700DSB / DSCB**  
AXLE

5PH0



AXLE

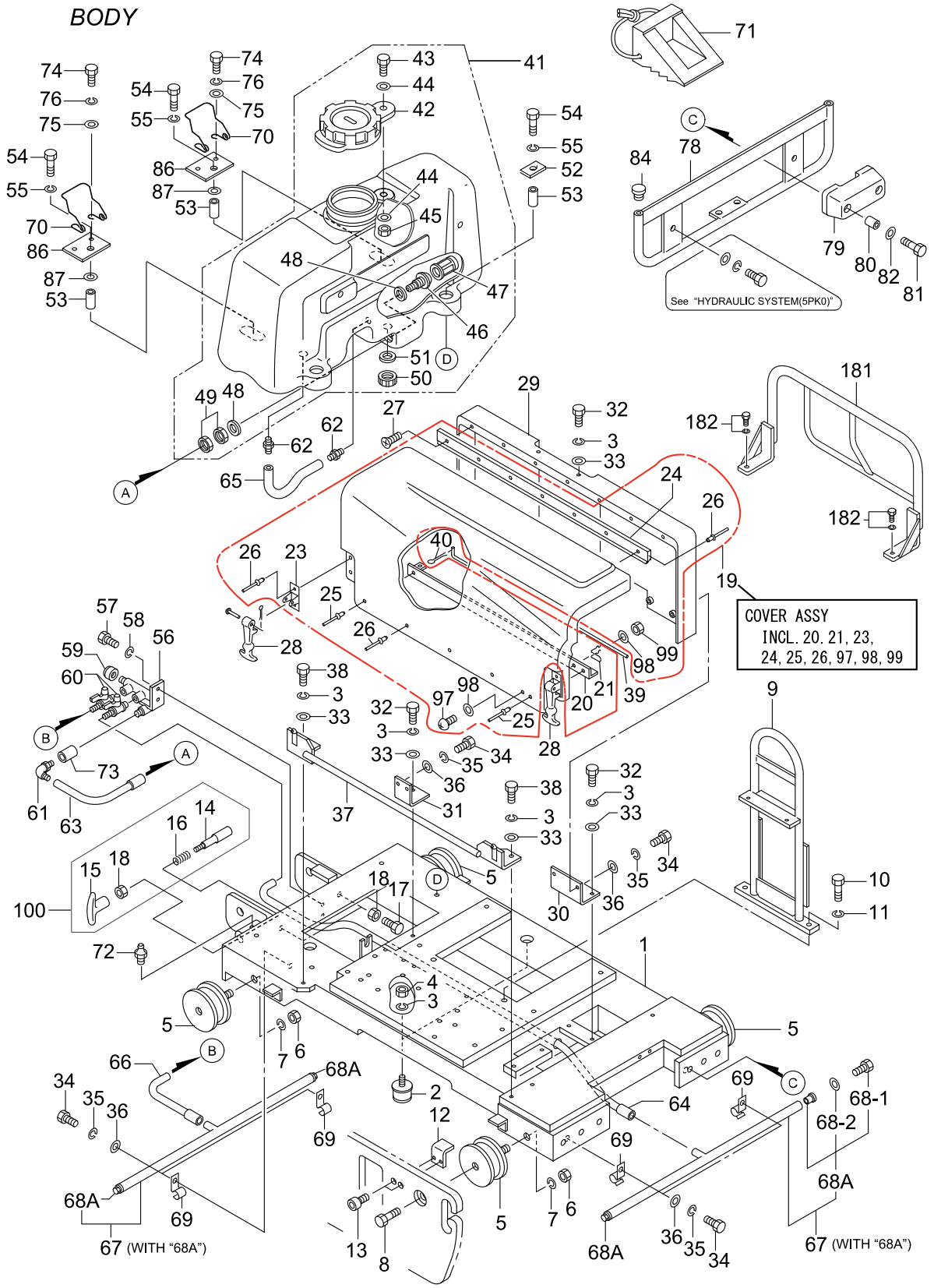
NO.	PART/NO.	PartsName	Q' TY	MK2	REMARKS	List Price
1	5151-19600	DRUM F-OIL SEAL/MRH-800	1	!5151-12960		0
2	5151-19610	DRUM R-OIL SEAL/MRH-800	1	!5151-12970		0
3	5153-46670	GEAR, PLATE DOUBLE, SEAL	2			8500
4	5153-34000	GEAR (39) /MRH-7	2			15000
5	5094-29660	COLLAR 405510	2	SX		1540
6	0012-21035	BOLT 10X35 T	16			160
7	5151-20440	DRUM. BRACKET (R) O, SEAL	2			0
8	5154-65390	FELT (DRUM) 5X8X1300	1			4000
9	0606-05020	OIL SEAL VC-55727	2			860
10	0471-10030	BEARING 6308FY	4			4280
11	0201-30240	NUT M30, P2.0	4			1270
12	0311-30450	PW M30	4			220
13	5153-34010	BEARING COVER (R) /MRH-7	2			6420
14	0501-00850	O-RING G-85	2			230
15	0012-21025	BOLT 10X25 T	20			160
16	0302-10250	SW M10	28			21
17	3010-10100	GREASE FITTING A-PT1/8	4			290
18	3510-10050	GREASE FITTING A-MT6X1	4			150
19	5151-13000	DRUM BRACKET (L) /MRH-7	1			26300
20	5151-13014	DRUM BRACKET (LB)/MRH	1			31100
21	5064-25670	COLLAR 405520	2	SX		2310
22	0607-05010	OIL SEAL TB4-55729	2			2210
23	5153-34040	BEARING COVER (L) /MRH-7	2			5620
24	0503-00950	O-RING S-95	2			360
25	5154-46960	LOCK PIN, BRAKE /MRH-7	1			4230
26	5154-46950	SPRING, BRAKE /MRH-7	1			910
27	0254-05025	SPRING PIN 5X25	1			92
28	5154-46970	KNOB, BRAKE /MRH-7	1			1820
29	0204-10060	NUT M10, H=6	1			48
30	5151-17040	SIDE PLATE (R-19T) /MRH-700	1			49300
31	5151-14350	SIDE PLATE (L) /MRH-700	1			43900
32	0011-21630	BOLT 16X30 T, P1.5	8	SX		430
33	5153-41930	BRACKET (A), SCRAPER (NEW)	2			4550
34	5153-41940	BRACKET (B), SCRAPER (NEW)	2			4550
35	5153-34020	SCRAPER (OUT) /MRH-7	2			5620
36	5154-47510	MOUNT NUT, SCRAPER /MRH-7	4			1240
37	0011-21435	BOLT 14X35 T, P1.5	8	SX		300
38	0012-21030	BOLT 10X30 T	8			160
39	0311-10160	PW M10	12			36
40	5153-34030	SCRAPER (IN) /MRH-7	2			8560
41	9590-10330	GREASE FITTING B-M6X1	1			200
42	5153-40410	SOCKET (BRAKE) /MRH	1			4020
43	0012-21025	BOLT 10X25 T	1			160
44	0302-10250	SW M10	1			21
45	5154-55840	MOUNT NUT (M14), SCRAPER	4			1880
46	0649-16010	OIL SEAL (UD168. 519013)	2			4800

BODY (FOR EXPORT)

MRH-700DSB (YANMAR TF70V)

5P10

BODY



BODY (FOR EXPORT)

NO.	PART/NO.	PartsName	Q' TY	MK2	REMARKS	List Price
1	5151-19161	BASE (70V/PIN-TYPE) /MRH	1	OJH	TF70V	250000
2	9390-10010	SHOCK ABSORBER, STOPPER45	2			1190
3	0302-10250	SW M10	9			21
4	0203-10080	NUT M10	2			48
5	9307-10031	SHOCK ABSORBER RVI-100	4			6140
6	0203-16130	NUT M16	4			230
7	0302-16400	SW M16	4			48
8	0012-21625	BOLT 16X25 T	4	SX		300
9	5152-12960	HOOK /MRH-7	1		TF70V	24700
10	0012-21440	BOLT 14X40 T	2			350
11	0302-14350	SW M14	2			48
12	5154-47010	SAFETY GUARD /MRH-7	4			2310
13	0015-20815	SOCKET HEAD BOLT 8X15 T	8			72
14	5174-59710	STOPPER (HANDLE) / MRH	1	SX		3550
15	9590-07140	T-KNOB (M12)	1			1080
16	5174-59700	SPRING (HANDLE) / MRH-500	1			660
17	0012-21230	BOLT 12X30 T	2			220
18	0203-12100	NUT M12	3			110
19	5159-10070	COVER AY/MRH-700 (GREEN)	1	SX	GR	46300
19	5159-10160	COVER AY/MRH-700 (OR)	1	SX	OR	50000
20	5153-36250	SUPPORT, COVER /MRH-700	1	SX		5090
21	5154-49890	ROD HOLDER /MRH-600	1			380
23	5154-47460	BRACKET HOLDER /MRH-7	2	SX		330
24	5153-34600	RUBBER HINGE /MRH-7	1			8560
25	5150-10090	RIVET /MRH-7	2			30
26	5150-10090	RIVET /MRH-7	14			30
27	0920-04008	SCREW 4X8	7			28
28	9593-00240	BONNET STRAP/MRT	2	SX		1490
29	5151-13080	COVER, E/G /MRH-7	1			23100
30	5153-34100	STAY, COVER (F) /MRH-7	1			1500
31	5154-47030	STAY, COVER (R) /MRH-7	1			1290
32	0012-21020	BOLT 10X20 T	5			110
33	0311-10160	PW M10	7			36
34	0012-20615	BOLT 6X15 T	8			64
35	0302-06150	SW M6	8			21
36	0311-06100	PW M6	8			21
37	5152-13870	STAY, COVER /MRH-700	1			7250
38	0012-21025	BOLT 10X25 T	2			160
39	5154-47380	ROD, COVER /MRH-7	1			1240
40	0259-10060	SNAP PIN /SSP-6	1			44
41	5151-19400	WATERTANK W/CAP F-STORING	1	!5151-19400BK	GR	0
41	5150-10121	WATERTANK W/CAP F-STORING	1	!5151-19400BK	OR	0
41	5151-19400BK	WATERTANK W/CAP F-STORING	1		BR	35000
42	9543-00342	CAP, WATER TANK (NBR)	1	S!9543-00343		2140
43	0012-41030	BOLT 10X30 U	1			220

BODY (FOR EXPORT)

NO.	PART/NO.	PartsName	Q' TY	MK2	REMARKS	List Price
44	0339-10160	PW M10 (SUS)	2			48
45	0229-10270	NUT M10 (SUS)	1			230
46	9544-04910	HOSE JOINT 17D	1			450
47	9544-04893	FILTER, TANK/MR, MRH	1			450
48	9534-04900	PACKING 26X36X3	2			100
49	9594-04880	NUT 3/4	2			140
50	5064-03990	CAP/PS1	1			1460
51	9534-04000	PACKING, CAP PS1	1			220
52	5064-34680	STOPPER, FRONT/MR-7	2			740
53	5064-34690	SPACER, WATER TANK 39L/MR7	4			740
54	0012-21253	BOLT 12X65 T	4			300
55	0302-12300	SW M12	4			21
56	5153-34050	SUPPORT, WATER COCK	1			9420
57	0012-20820	BOLT 8X20 T	2			88
58	0302-08200	SW M8	2			21
59	5090-10010	CAP 3/8	1			1100
60	9544-03241	COCK PT1/4, BH-1211 (AL)/R	2			2740
61	9544-05660	ELBOW 3/8X12	1			650
62	9544-05680	CONNECTOR 1/4X10	2			390
63	5154-46980	WATER HOSE (T-V) 300L/MRH7	1			950
64	5154-46990	WATER HOSE (F) 1200L/MRH7	1			1420
65	5164-54950	WATER HOSE (T) 330L/MRH	1	SXY		430
66	5154-50440	WATER HOSE (R) 300L/MRH600	1			860
67	5159-10040	SPRINKLING PIPE AY /MRH	2		INCL. 68	3860
68A	5159-10050	CAP AY, W/BOLT, WASHER /MRH	4			330
68-1	0012-20620	BOLT 6X20 T	4			64
68-2	0311-06100	PW M6	4			21
69	5154-49900	CLAMP /MRH-700	4			540
70	5154-49870	HOLDER, STOPPER /MRH-600	2			1070
71	5173-38540	STOPPER /MRH-500	2			1610
72	3510-10050	GREASE FITTING A-MT6X1	1			150
73	9540-01590	SOCKET PT3/8-3/8	1			650
74	0012-20610	BOLT 6X10 T	4			64
75	0311-06100	PW M6	4			21
76	0302-06150	SW M6	4			21
78	5153-36200	FRONT GUARD /MRH-600	1			9630
79	5153-36210	BUMPER /MRH-600	2			3210
80	5154-49720	SPACER, BUMPER /MRH-600	4			810
81	0012-21040	BOLT 10X40 T	4			180
82	0311-10160	PW M10	4			36
84	9534-05940	PIPE INSERT PZ-7 /MRH-600	2			55
86	5154-49880	HOLDER (R) /MRH-700	2			2140
87	9524-05950	WASHER 13506	2			1070
97	0910-04016	SCREW 4X16	1			28
98	0311-04080	PW M4	2			21

## BODY (FOR EXPORT)

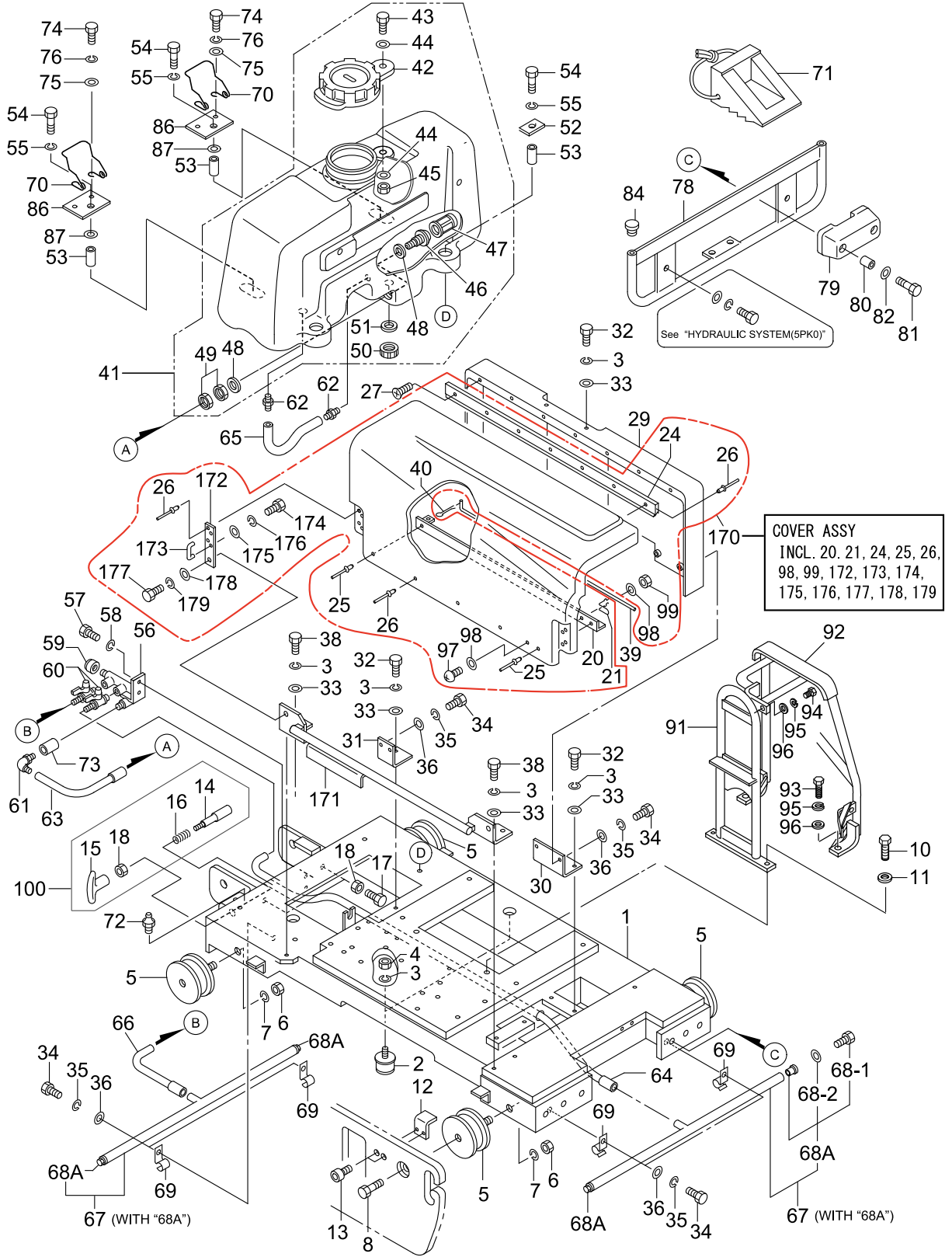
NO.	PART/NO.	PartsName	Q' TY	MK2	REMARKS	List Price
99	0203-04030	NUT M4	1			21
100	5159-10090	HANDLE, STOPPER AY/D25	1			6180
181	5151-19970	ENGINE GUARD/700/YANMAR	1		TF70V	20500
182	0012-21025	BOLT 10X25 T	2		TF70V	160
182	0302-10250	SW M10	2		TF70V	21

BODY (FOR EU)

**MRH-700DSCB (YANMAR L100N/V)**

**5PJ0**

**BODY**





BODY (FOR EU)

NO.	PART/NO.	PartsName	Q' TY	MK2	REMARKS	List Price
1	5151-19150	BASE (L100/PIN-TYPE) /MRH	1	OJH		240000
2	9390-10010	SHOCK ABSORBER, STOPPER45	2			1190
3	0302-10250	SW M10	9			21
4	0203-10080	NUT M10	3			48
5	9307-10031	SHOCK ABSORBER RVI-100	4			6140
6	0203-16130	NUT M16	4			230
7	0302-16400	SW M16	4			48
8	0012-21625	BOLT 16X25 T	4	SX		300
10	0012-21440	BOLT 14X40 T	2			350
11	0302-14350	SW M14	2			48
12	5154-47010	SAFETY GUARD /MRH-7	4			2310
13	0015-20815	SOCKET HEAD BOLT 8X15 T	8			72
14	5174-59710	STOPPER (HANDLE) / MRH	1	SX		3550
15	9590-07140	T-KNOB (M12)	1			1080
16	5174-59700	SPRING (HANDLE) / MRH-500	1			660
17	0012-21230	BOLT 12X30 T	2			220
18	0203-12100	NUT M12	2			110
20	5153-36250	SUPPORT, COVER /MRH-700	1	SX		5090
21	5154-49890	ROD HOLDER /MRH-600	1			380
24	5153-34600	RUBBER HINGE /MRH-7	1			8560
25	5150-10090	RIVET /MRH-7	2			30
26	5150-10090	RIVET /MRH-7	14			30
27	0920-04008	SCREW 4X8	7			28
29	5151-13080	COVER, E/G /MRH-7	1			23100
30	5153-34100	STAY, COVER (F) /MRH-7	1			1500
31	5154-47030	STAY, COVER (R) /MRH-7	1			1290
32	0012-21020	BOLT 10X20 T	5			110
33	0311-10160	PW M10	7			36
34	0012-20615	BOLT 6X15 T	8			64
35	0302-06150	SW M6	8			21
36	0311-06100	PW M6	8			21
38	0012-21025	BOLT 10X25 T	2			160
39	5154-47380	ROD, COVER /MRH-7	1			1240
40	0259-10060	SNAP PIN /SSP-6	1			44
41	5151-19400	WATERTANK W/CAP F-STORING	1	!5151-19400BK	GR	0
41	5150-10121	WATERTANK W/CAP F-STORING	1	!5151-19400BK	OR	0
41	5151-19400BK	WATERTANK W/CAP F-STORING	1		BR	35000
42	9543-00342	CAP, WATER TANK (NBR)	1	S!9543-00343		2140
43	0012-41030	BOLT 10X30 U	1			220
44	0339-10160	PW M10 (SUS)	2			48
45	0229-10270	NUT M10 (SUS)	1			230
46	9544-04910	HOSE JOINT 17D	1			450
47	9544-04890	FILTER, TANK /MT	1	SX		450
48	9534-04900	PACKING 26X36X3	2			100
49	9594-04880	NUT 3/4	2			140



BODY (FOR EU)

NO.	PART/NO.	PartsName	Q' TY	MK2	REMARKS	List Price
50	5064-03990	CAP/PS1	1			1460
51	9534-04000	PACKING, CAP PS1	1			220
52	5064-34680	STOPPER, FRONT/MR-7	2			740
53	5064-34690	SPACER, WATER TANK 39L/MR7	4			740
54	0012-21253	BOLT 12X65 T	4			300
55	0302-12300	SW M12	4			21
56	5153-34050	SUPPORT, WATER COCK	1			9420
57	0012-20820	BOLT 8X20 T	2			88
58	0302-08200	SW M8	2			21
59	5090-10010	CAP 3/8	1			1100
60	9544-03241	COCK PT1/4, BH-1211 (AL)/R	2			2740
61	9544-05660	ELBOW 3/8X12	1			650
62	9544-05680	CONNECTOR 1/4X10	2			390
63	5154-46980	WATER HOSE (T-V) 300L/MRH7	1			950
64	5154-46990	WATER HOSE (F) 1200L/MRH7	1			1420
65	5164-54950	WATER HOSE (T) 330L/MRH	1	SXY		430
66	5154-50440	WATER HOSE (R) 300L/MRH600	1			860
67	5159-10040	SPRINKLING PIPE AY /MRH	2		INCL. 68	3860
68A	5159-10050	CAP AY, W/BOLT, WASHER /MRH	4			330
68-1	0012-20620	BOLT 6X20 T	4			64
68-2	0311-06100	PW M6	4			21
69	5154-49900	CLAMP /MRH-700	4			540
70	5154-49870	HOLDER, STOPPER /MRH-600	2			1070
71	5173-38540	STOPPER /MRH-500	2			1610
73	9540-01590	SOCKET PT3/8-3/8	1			650
74	0012-20610	BOLT 6X10 T	4			64
75	0311-06100	PW M6	4			21
76	0302-06150	SW M6	4			21
78	5153-36200	FRONT GUARD /MRH-600	1			9630
79	5153-36210	BUMPER /MRH-600	2			3210
80	5154-49720	SPACER, BUMPER /MRH-600	4			810
81	0012-21040	BOLT 10X40 T	4			180
82	0311-10160	PW M10	4			36
84	9534-05940	PIPE INSERT PZ-7 /MRH-600	2			55
86	5154-49880	HOLDER (R) /MRH-700	2			2140
87	9524-05950	WASHER 13506	2			1070
91	5152-13600	HOOK (L100) /MRH-7	1	OJH		27300
92	5151-19960	GUARD CYCLONE/L100N/700	1		L100N	34500
93	0012-21035	BOLT 10X35 T	2			160
94	0012-21020	BOLT 10X20 T	2			110
95	0302-10250	SW M10	4			21
96	0311-10160	PW M10	4			36
97	0910-04016	SCREW 4X16	1			28
98	0311-04080	PW M4	2			21
99	0203-04030	NUT M4	1			21

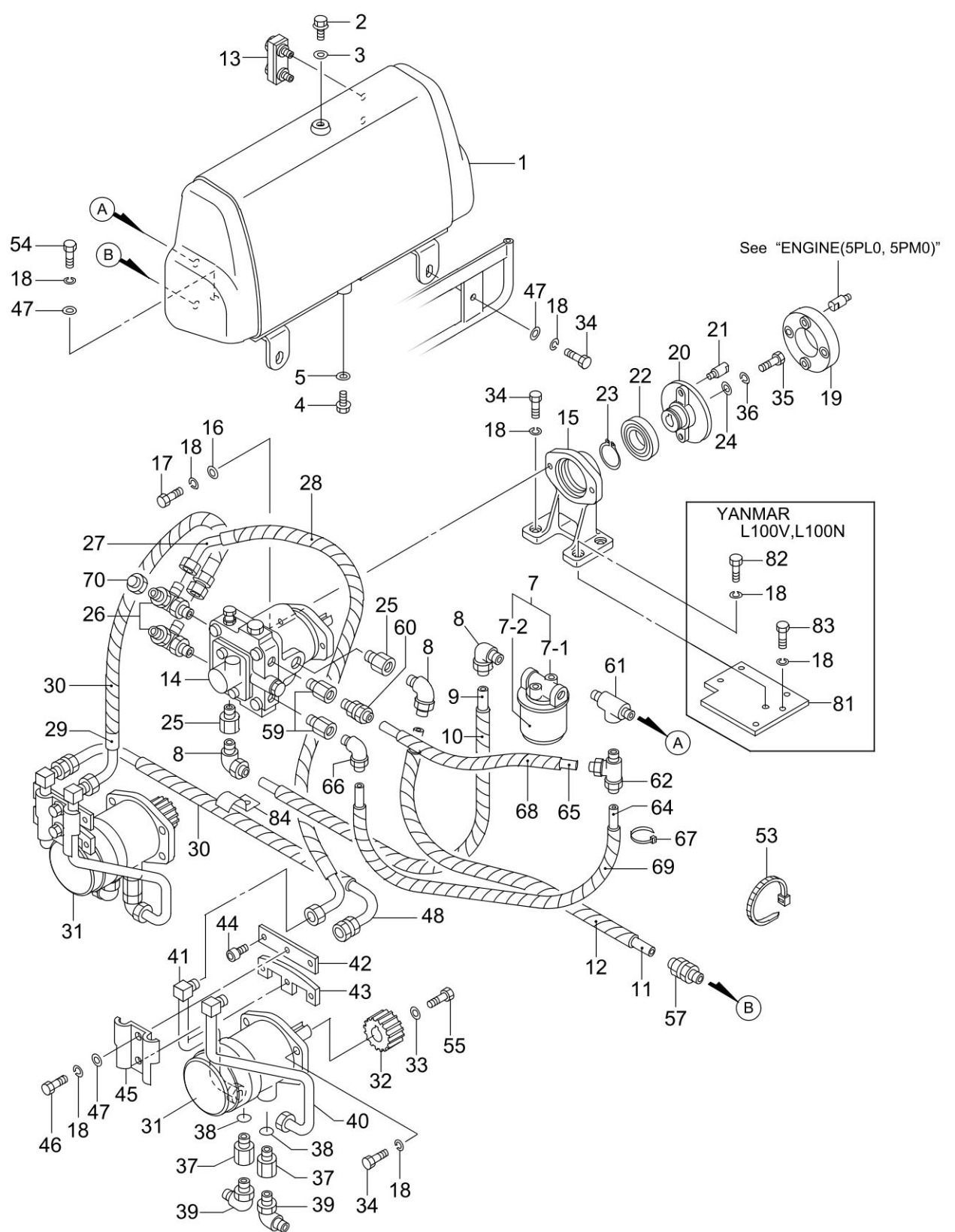
BODY (FOR EU)

NO.	PART/NO.	PartsName	Q' TY	MK2	REMARKS	List Price
100	5159-10090	HANDLE, STOPPER AY/D25	1			6180
170	5159-10100	COVER AY (GR, EU) /MRH-700	1		GR	51500
170	5159-10060	COVER AY (ORANGE) /MRH800	1	SX	OR	50900
171	5152-14241	STAY, COVER (EXPORT) /MRH700	1			9630
172	5154-50780	HANDLE BRACKET /MRH-600	2			2140
173	5154-50790	HANDLE (COVER) /MRH-600	2			1070
174	0910-04015	SCREW 4X15	4			28
175	0311-04080	PW M4	4			21
176	0302-04100	SW M4	4			21
177	0012-20815	BOLT 8X15 T	2			88
178	0311-08160	PW M8	2			36
179	0302-08200	SW M8	2			21

HYDRAULIC SYSTEM

**MRH-700DSB / DSCB**  
HYDRAULIC SYSTEM

5PK0



## HYDRAULIC SYSTEM

NO.	PART/NO.	PartsName	Q' TY	MK2	REMARKS	List Price
1	5151-18050	OIL TANK / (N) /MRH-600, 700	1		GR	80300
1	5150-10141	OIL TANK/MRH-800, MQ	1		OR	80300
2	9534-05840	DRAIN PLUG M18 (H)	1			1840
3	9534-02930	COPPER PACKING 19X30X1	1			300
4	9534-00270	PLUG 1/4X14 10L	1			770
5	9534-05260	PACKING 1/4 (CU)	1			170
7	9540-01350	OIL FILTER CP03-80	1		INCL. 7-1, 7-2	5140
7-1	9540-01390	FILTER HEAD	1			4710
7-2	9540-01380	OIL ELEMENT	1			3000
8	9540-01530	ELBOW LIN-1/2-PT3/8	3			1800
9	9540-02310	TUBE 9.6-12.7-325L	1	OJH		300
10	9590-20014	SPIRAL TUBE KEP-12-500L	1			450
11	9540-01511	TUBE 9.6-12.7-360	1			390
12	9590-20014	SPIRAL TUBE KEP-12-500L	1			450
13	9554-07500	OIL GAUGE/KLA-60-A-B	1			4070
14	5150-10110	OIL PUMP PV10-625	1			120000
15	5151-14390	BRACKET (PV10) /MRH-700	1		TF70V	15000
15	5151-13050	BRACKET (PV10) /MRH-7	1		L100N, V	14200
16	9524-04110	COLLAR 10.5X22X5	2			830
17	0012-21035	BOLT 10X35 T	2			160
18	0302-10250	SW M10	24			21
19	5153-34070	COUPLING /MRH-7	1			3750
20	5153-34080	FLANGE (PV10) /MRH-7	1			9370
21	5154-47020	COUPLING PIN /MRH-7	2			650
22	0460-06009	BEARING 6009DDU	1	SS!OJH		3040
23	0802-00450	STOP RING S-45	1			180
24	9524-00450	WASHER 7X30X4.5	1			360
25	9540-01460	BUSHING CP-3/8	2			990
26	9540-01850	ELBOW 3/8-1/4X2	2			3000
27	9540-01830	OIL HOSE ML90-ML90X560/BS	1	SX		4280
28	9590-20013	SPIRAL TUBE 11D-600L	1			430
29	9540-01840	OIL HOSE ML90-1005X600/BS	1	SX		4280
30	9554-04270	SPIRAL TUBE/11D-700L	2			360
31	5153-48100	OIL MOTOR (EATON)/S-140	2			64200
32	5154-54330	PINION (12)/MRH-700	2			11800
33	9524-00130	WASHER 9304	2			360
34	0012-21035	BOLT 10X35 T	14			160
35	0012-20615	BOLT 6X15 T	1			64
36	0302-06150	SW M6	1			21
37	5154-47130	JOINT 1/2-3/8-31	4			1330
38	0502-10180	O-RING P-18-1B	4			120
39	5120-10120	JOINT, LLM-UE-10X3/8-B	4			3860
40	5154-47110	PIPE, OM-A-E /MRH-7	2			4500
41	5154-47120	PIPE, OM-B-E /MRH-7	2			4500
42	5154-47160	HOLDER, UPPER /MRH-7	2			1720
43	5154-47170	HOLDER, LOWER /MRH-7	2			3860
44	0015-20820	SOCKET HEAD BOLT 8X20 T	8			72

## HYDRAULIC SYSTEM

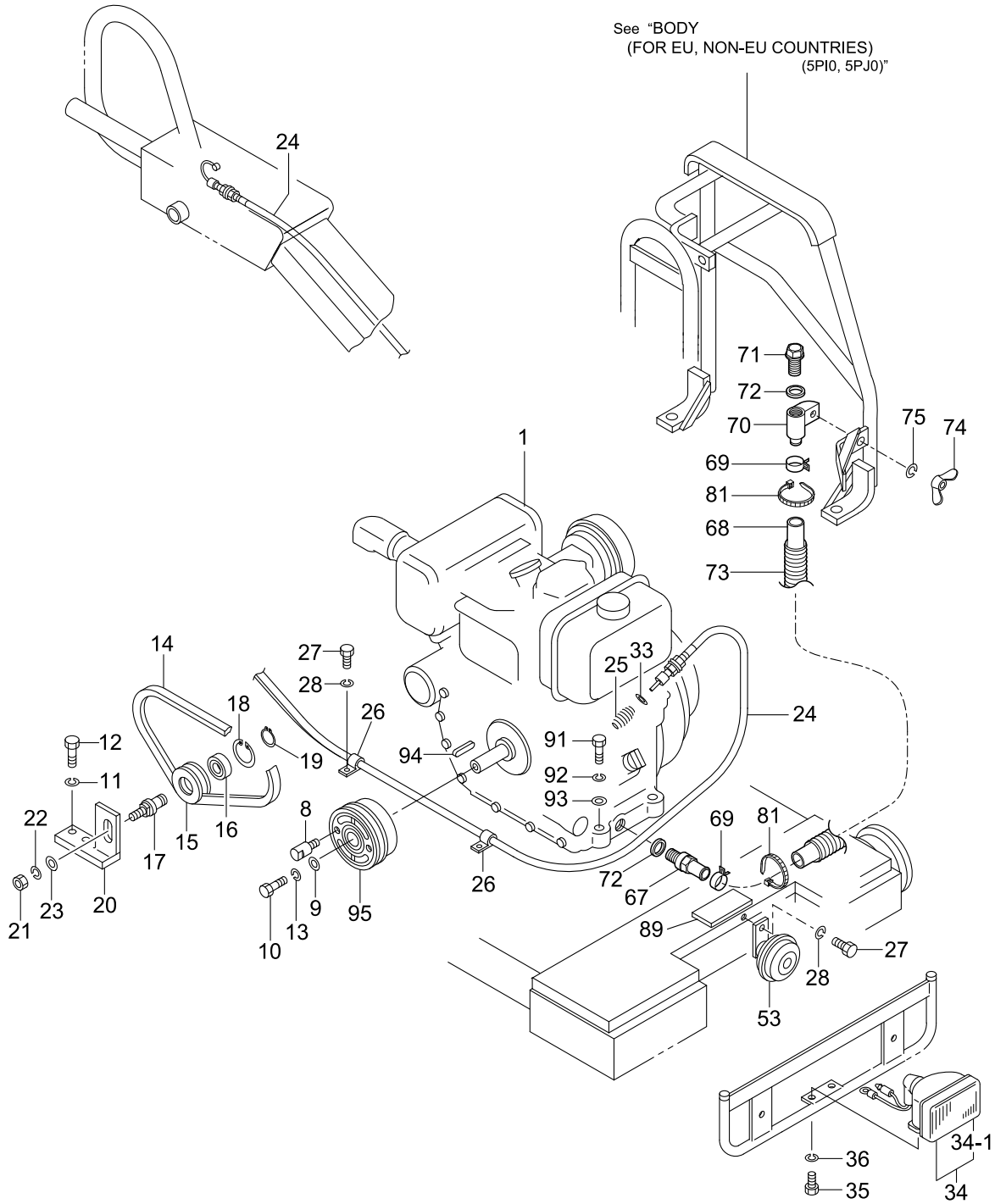
NO.	PART/NO.	PartsName	Q' TY	MK2	REMARKS	List Price
45	5154-47140	COVER, PIPE /MRH-7	2			1070
46	0012-21020	BOLT 10X20 T	4			110
47	0311-10160	PW M10	8			36
48	9540-02630	OIL HOSE ML90-700BS/MRH	1	SX		4070
53	5070-10110	CLAMP TC-200	5			52
54	0012-21025	BOLT 10X25 T	2			160
55	0012-20820	BOLT 8X20 T	2			88
57	9540-01520	ADAPTER CIN-1/2XPT3/8	1			780
59	5153-35300	CHECK VALVE 7/16	2			5350
60	9540-01090	ADAPTER CIN-3/8-PT1/4	1			820
61	9540-02660	3/8 TEE JOINT /MRH	1			1500
62	9540-01620	FITTING, TEE STIN3/8-PT3/8	1			1720
64	9540-90004	TUBE 9.5-7-405L	1			300
65	9540-90005	TUBE 9.5-7-305L	1			300
66	9540-01100	ELBOW LIN-3/8-PT1/4	1			1630
67	4540-10020	CLAMP TC-100	12			65
68	9590-21810	SPIRAL TUBE KEP6/L=500	1		L=500MM	140
69	9590-21810	SPIRAL TUBE KEP6/L=500	1		L=500MM	140
70	9540-01040	CAP PF1/4	2			1200
81	5153-35451	SPACER (PV10) /MRH-700	1		L100N, V	6960
82	0012-21040	BOLT 10X40 T	4		L100N, V	180
83	0012-21030	BOLT 10X30 T	2		L100N, V	160
84	9544-05550	CLAMP 15R	2			700

ENGINE (L100N, L100V)

**MRH-700DSCB**

ENGINE (YANMAR L100N, L100V)

5PM0



ENGINE (L100N, L100V)

NO.	PART/NO.	PartsName	Q' TY	MK2	REMARKS	List Price
1	9144-10045	ENGINE AY/L100N/700DSC	1		REMK2	0
1	9144-10046	ENGINE AY L100V1/800DSC	1		REMK2	0
8	5154-47020	COUPLING PIN /MRH-7	2			650
9	9524-00690	WASHER 9X35X4.5	1			420
10	0012-20825	BOLT 8X25 T	1			88
11	0302-10250	SW M10	2			21
12	0012-21030	BOLT 10X30 T	2			160
13	0302-08200	SW M8	1			21
14	0705-03000	V-BELT 3V-300	1			1930
15	5154-47050	TIGHTENER PULLEY /MRH-7	1			5890
16	0460-06004	BEARING 6004DDU	1			1130
17	5154-47060	SHAFT, TIGHTENER /MRH-7	1			4820
18	0801-00420	STOP RING R-42	1			180
19	0802-00200	STOP RING S-20	1			72
20	5153-34180	HOLDER, TIGHTENER /MRH-7	1			6960
21	0203-14110	NUT M14	1			180
22	0302-14350	SW M14	1			48
23	0311-14260	PW M14	1			92
24	9561-00022	THROTTLE WIRE 2560-2700	1			2950
24	9561-00067	THROTTLE WIRE 2560-2700	1		IMER	3250
25	9594-09990	COIL SPRING	1			0
26	6070-10040	CLAMP CLA-3200 (7D)	2	SS!		220
27	0012-20610	BOLT 6X10 T	3			64
28	0302-06150	SW M6	3			21
33	0311-04080	PW M4	1			21
34	9552-00030	HEAD LAMP AY 12V-25W	1			6420
34-1	9552-00060	PILOT RAMP (12V)/MRH	1			1070
35	0012-20615	BOLT 6X15 T	2			64
36	0302-06150	SW M6	2			21
53	9553-00420	HORN AY (DC12V)	1			1290
67	183293-08350	NIPPLE, DRAIN	1	SS!OJH		1900
68	114984-01940	PIPE, DRAIN	1	OJH		1000
69	171008-03990	CLAMP 25	2	SS!OJH		250
70	114352-39400	JOINT, DRAIN	1	SS!OJH		5000
71	105425-01690	PLUG M16	1			380
72	22190-160002	SEAL WASHER 16S	2			230
73	9590-26011	TUBE 20D-300L	1	!9590-26021		430
74	9590-10080	WING BOLT 8X15 (40D)	1			730
75	0302-08200	SW M8	1			21
81	5060-10070	CLAMP TC-150	3			65
89	5154-57280	CUSHION /OIL DRAIN HOSE	1			500
91	0012-21040	BOLT 10X40 T	4			180
92	0302-10250	SW M10	4			21
93	0311-10160	PW M10	4			36
94	22512-070360	KEY 7X36 RR	1		E/G PARTS	250
95	5153-35460	CLUTCH AY	1			19300

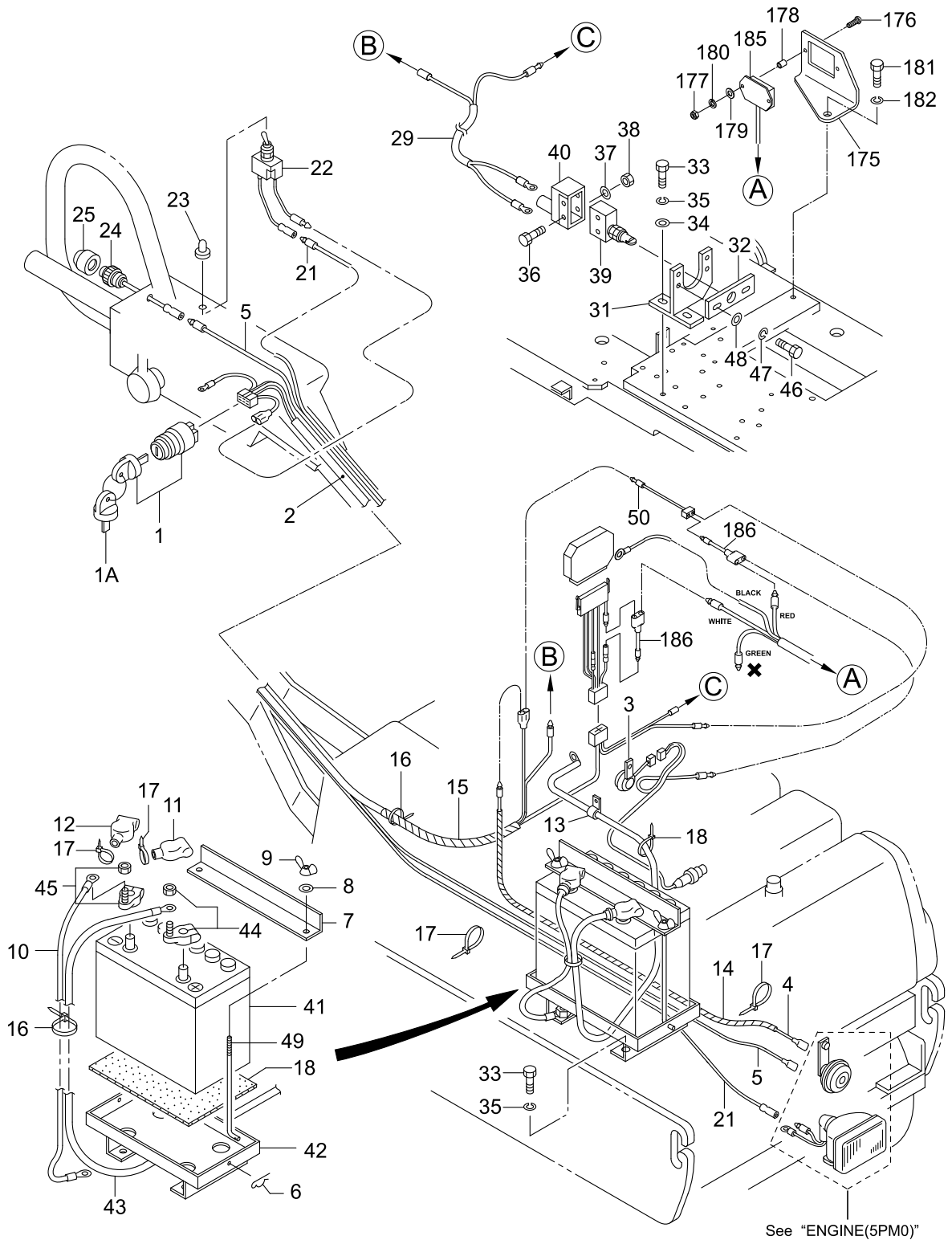


ELECTRIC (L100N, L100V)

**MRH-700DSCB**

ELECTRIC DEVICE (YANMAR L100N, L100V)

5P00



ELECTRIC (L100N, L100V)

NO.	PART/NO.	PartsName	Q' TY	MK2	REMARKS	List Price
1	9553-00910	STARTER SWITCH (NMA03) /L-N	1			3500
1A	9550-00040	KEY, (STARTER SWITCH/NMA)	1			1800
2	5153-49800	WIRE HARNESS (L-N, V/EPA)	1			6050
3	9553-00400	BUZZER (EBL) /MRH	1			3000
4	5154-47330	READ CORD, HORN(+) /MRH-7	1	SS15154-49860		490
5	5154-47320	READ CORD, HORN(SW) /MRH-7	1			650
6	0259-10060	SNAP PIN /SSP-6	2			44
7	5164-55640	HOLDER, BATTERY/MRH600, 700	1			2140
8	0311-06100	PW M6	2			21
9	0224-10616	WING NUT M6	2			72
10	5154-47360	BATTERY CORD (-) /MRH-7	1			1500
11	9553-00460	TERMINAL COVER (+)	1			180
12	9553-00470	TERMINAL COVER (-)	1			180
13	9544-06400	CLAMP T1047-40	2			250
14	9590-21812	SPIRAL TUBE 6D-800L	1			170
15	9590-21810	SPIRAL TUBE KEP6/L=500	1			140
16	5070-10110	CLAMP TC-200	3			52
17	5060-10070	CLAMP TC-150	10			65
18	6013-03150	RUBBER PLATE 160-226-1T	1			480
21	5154-49920	READ CORD (LAMP) /MRH-600	1			650
22	5154-49910	SWITCH CP, S-1B W/CORD	1			1720
23	3044-02600	CAP	1			510
24	9554-00800	HORN BUTTON ASS' Y	1			480
25	9554-05980	COVER, HORN BUTTON	1			110
29	5154-53230	READ CORD (M-SWITCH) 550L-2	1	SX		860
31	5153-37110	HOLDER, MICRO-SWITCH/MRH	1			7000
32	5154-49230	PLATE, MICRO-SWITCH /MRH	1			590
33	0012-21020	BOLT 10X20 T	6			110
34	0311-10160	PW M10	2			36
35	0302-10250	SW M10	6			21
36	0012-00430	BOLT 4X30	2			33
37	0311-04080	PW M4	2			21
38	0227-10405	NYLON NUT M4	2			48
39	9554-05910	MICRO-SWITCH /MRH-600, 700	1			6420
40	9554-05450	COVER, MICROSWITCH /MRX	1			970
41	9550-10130	BATTERY/70B24L	1			0
42	5163-35040	BASE, BATTERY /MRH	1			11800
43	5154-48530	BATTERY CORD (+) 1100L	1			3640
44	9553-00480	BATTERY TERMINAL (+)	1	SX		520
45	9553-00490	BATTERY TERMINAL (-)	1	SX		520
46	0012-20615	BOLT 6X15 T	2			64
47	0302-06150	SW M6	2			21
48	0311-06100	PW M6	2			21
49	5154-48210	ROD, BATTERY /MRH-7	2			1290
50	5154-50380	WIRE HARNESS /MRH-600, 700	1	SX		380
175	5154-69210	HOUR METAR STAY/700CB	1			2000

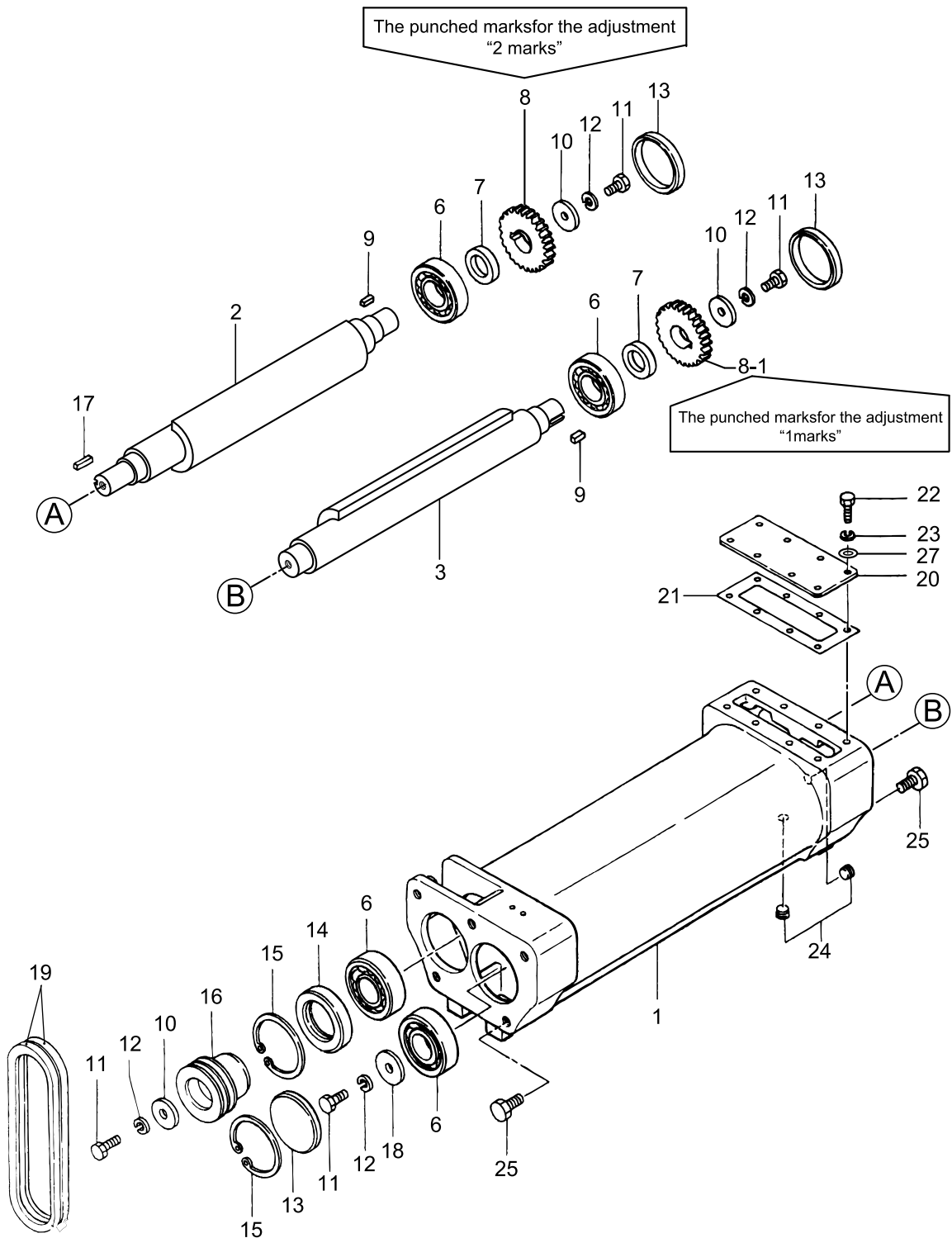
ELECTRIC (L100N, L100V)

NO.	PART/NO.	PartsName	Q' TY	MK2	REMARKS	List Price
176	0091-10072	PAN HEAD SCREW 5X35	2			120
177	0203-05040	NUT M5	2			27
178	9524-07930	COLLAR 6X10X13.5	2			1250
179	0311-05080	PW M5	2			21
180	0302-05130	SW M5	2			21
181	0012-21020	BOLT 10X20 T	1			110
182	0302-10250	SW M10	1			21
185	9553-01020	TACHO&HOUR METER/L, 1B, 1D	1			15800
186	5154-50380	WIRE HARNESS /MRH-600, 700	2	SX		380

VIBRATOR

**MRH-700DSB / DSCB**  
VIBRATOR

5PP0



VIBRATOR

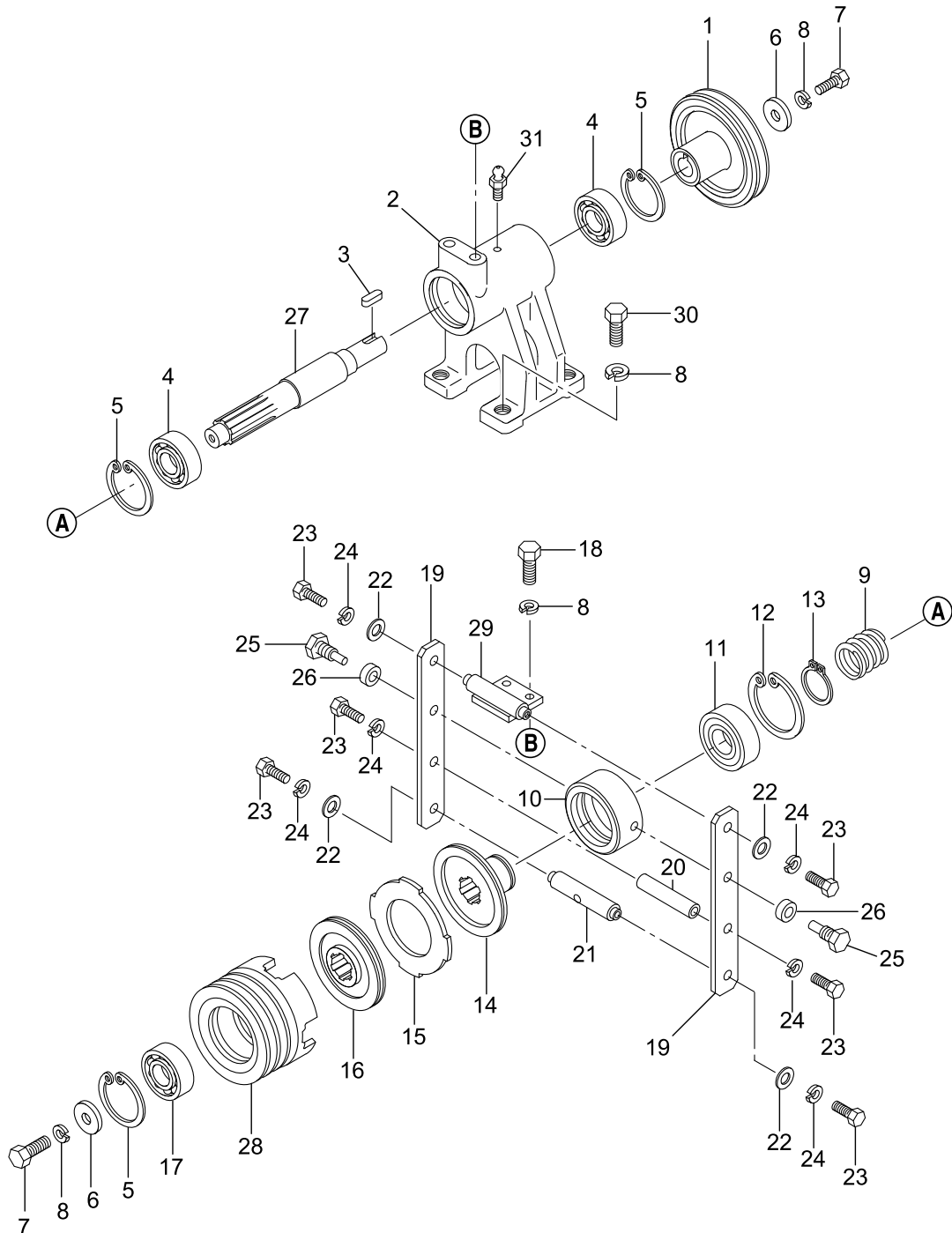
NO.	PART/NO.	PartsName	Q' TY	MK2	REMARKS	List Price
A	5159-10080	VIBRATOR ASSY /MRH-700	1			214000
1	5151-13090	VIBRATING CASE /MRH-7	1			135000
2	5153-34111	ROTARY SHAFT, DRIVE/MRH700	1			32100
3	5153-34121	ROTARY SHAFT, DRIVEN/MRH	1			29500
5	0015-21252	SOCKET HEAD BOLT 12X60 T	6			280
6	0404-06308	BEARING 6308C4	4			3150
7	5010-11020	GEAR SPACER	2			1300
8	5010-11001	GEAR 38-2P	1			21300
8-1	5010-11002	GEAR 38-1P	1			21300
9	9514-00081	KEY 10X8X17	2			300
10	9524-00900	WASHER 13446	3			780
11	0012-21225	BOLT 12X25 T	4			220
12	0302-12300	SW M12	4			21
13	9534-05570	SEAL CAP SC-90-10	3			1290
14	0602-06020	OIL SEAL SC-659013	1			1940
15	0801-00900	STOP RING R-90	2			900
16	5154-47040	PULLEY 86D-A2 /MRH-7	1			9900
17	9514-00090	KEY 10X8X33	1			540
18	9524-01590	WASHER 13X50X6	1			750
19	0701-00381	V-BELT A-38 RED	2			2490
20	5153-34140	COVER, GEAR /MRH-7	1			5350
21	5153-34150	PACKING, COVER /MRH-7	1			1400
22	0012-20820	BOLT 8X20 T	8			88
23	0302-08200	SW M8	8			21
24	5050-15380	PLUG PT1/4	2			130
25	0012-21425	BOLT 14X25 T/ZN	10	SX		260
27	0311-08160	PW M8	8			36

CLUTCH (VIBRATION)

**MRH-700DSB / DSCB**

5PQ0

CLUTCH (VIBRATION)



CLUTCH (VIBRATION)

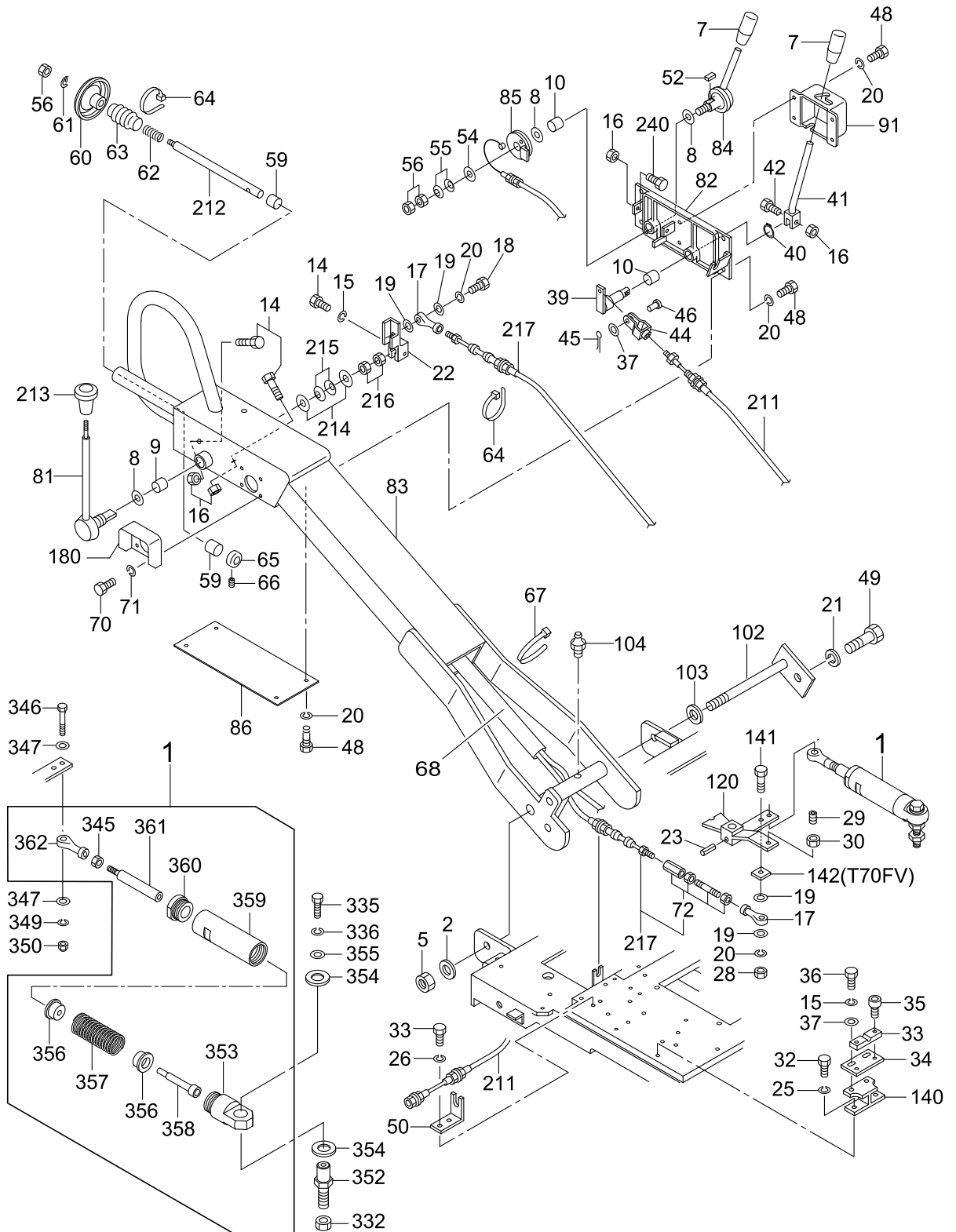
NO.	PART/NO.	PartsName	Q' TY	MK2	REMARKS	List Price
A	5159-10010	CLUTCH AY (VIB.) /MRH-7	1		INCL. 1-31	107000
1	5154-47070	COUNTER PULLEY 130D-3V1	1			11300
2	5152-12980	COUNTER BRACKET /MRH-7	1			29800
3	9514-03020	KEY 7X7X26	1			300
4	0430-06206	BEARING 6206V	2	SX		1630
5	0801-00620	STOP RING R-62	3			360
6	9524-02470	COLLAR 11X36X6	2			540
7	0012-21030	BOLT 10X30 T	2			160
8	0302-10250	SW M10	8			21
9	5094-34770	CLUTCH SPRING	1			960
10	5094-34780	RELEASE COLLAR 62X78X40	1			7310
11	0440-06008	BEARING 6008VV	1			2250
12	0801-00680	STOP RING R-68	1			460
13	0802-00400	STOP RING S-40	1			180
14	5154-47080	PRESSURE PLATE /MRH-7	1			15000
15	5154-47090	INSIDE PLATE /MRH-7	1			2680
16	5154-47100	DISC PLATE /MRH-7	1			18800
17	0440-06305	BEARING 6305VV	1			2120
18	0012-21020	BOLT 10X20 T	2			110
19	5093-24690	RELEASE FORK /MR-B	2			3380
20	5094-34850	STUD BAR 18D X80L	1			1300
21	5094-34860	LOCK, WIRE	1			2420
22	9524-01690	WASHER 6.5X17X3	4			300
23	0012-20615	BOLT 6X15 T	6			64
24	0302-06150	SW M6	6			21
25	5094-34870	FORK PIN	2			2590
26	5094-34880	COLLAR, FORK PIN 12.5X20X5	2			900
27	5153-34200	COUNTER SHAFT /MRH-7	1			25200
28	5153-34210	CLUTCH PULLEY 113D-A2/MRH	1			17200
29	5094-34840	BRACKET, RELEASE FORK	1			6180
30	0012-21030	BOLT 10X30 T	4			160
31	3010-10100	GREASE FITTING A-PT1/8	1			290



CONTROL (FOR EXPORT)

**MRH-700DSB / DSCB**  
CONTROL (FOR STANDARD TYPE)

5PR0



CONTROL (FOR EXPORT)

NO.	PART/NO.	PartsName	Q' TY	MK2	REMARKS	List Price
1	5159-10150	CYLINDER AY/MRH-700DSCA	1			21500
2	0311-20320	PW M20	1			180
5	0225-22017	LOCK NUT U-M20	1			720
7	9594-03840	BAR GRIP, I. D. 12MM	1			480
8	9534-02930	COPPER PACKING 19X30X1	3			300
9	5090-10130	BUSHING MB1825DU	3			450
14	0012-20830	BOLT 8X30 T	3			88
15	0302-08200	SW M8	3			21
16	0203-08060	NUT M8	4			36
17	5010-11162	ROD END PR6-209	2			1570
18	0012-20620	BOLT 6X20 T	1			64
19	9524-04470	WASHER 6. 5X15X1. 6	12			190
20	0302-06150	SW M6	14			21
21	0302-10250	SW M10	1			21
22	5153-49480	LEVER, JOINT TRAVELLING	1			8560
23	0254-06032	SPRING PIN 6X32	1	SX		92
24	0252-03020	SPLIT COTTER PIN 3X20	1			48
25	0302-10250	SW M10	4			21
28	0227-10607	NYLON NUT M6	1			48
29	5050-15150	SPRING PLUNGER/M16	1			4540
30	0204-16100	NUT M16, H=10	1			230
32	0012-21020	BOLT 10X20 T	4			110
33	5154-48170	GUIDE /MRH-7	1			3210
34	5154-48180	SLIDE PLATE /MRH-7	1			2410
35	0015-20615	SOCKET HEAD BOLT 6X15 T	2			48
36	0012-20815	BOLT 8X15 T	2			88
37	0311-08160	PW M8	3			36
39	5093-26970	SHAFT, LEVER/VIB. MR7B	1			7310
40	0802-00180	STOP RING S-18	1			72
41	5094-36911	LEVER, VIB. /MR (B)	1			5340
42	0012-20835	BOLT 8X35 T	1			110
44	9594-04760	CLEVIS 8D X44	1			1480
45	9594-04370	PIN 8X22	1			190
46	0259-10080	SNAP PIN /SSP-8	1			48
48	0012-20615	BOLT 6X15 T	12			64
49	0012-21015	BOLT 10X15 T	1			110
50	5154-47180	CABLE SUPPORT, VIB. /MRH-7	1			1770
52	9514-01431	KEY 5X5X8	1			300
54	9524-04790	WASHER 13306	1			400
55	0322-12250	CONICAL SPRING WASHER M12	2			280
56	0203-12100	NUT M12	3			110
59	5090-10140	BUSHING MB1625DU	2			400
60	5154-47720	DISC PLATE, DEAD-MAN/MRH7	1			3540
61	0302-12300	SW M12	1			21
62	5094-36980	SPRING, DEAD-MAN	1			2030
63	5094-36990	PROTECTOR, DEAD-MAN	1			290
64	5070-10110	CLAMP TC-200	2			52

CONTROL (FOR EXPORT)

NO.	PART/NO.	PartsName	Q' TY	MK2	REMARKS	List Price
65	5094-36960	ROD STOPPER, DEAD-MAN	1			1690
66	0992-06006	SOCKET HEAD SCREW 6X6 T	2			48
67	5060-10070	CLAMP TC-150	8			65
68	9590-21911	TUBE 25D-850L	1	SX		540
71	0012-20610	BOLT 6X10 T	4			64
71	0302-06150	SW M6	4			21
72	5019-10010	TURN BUCKLE ASS' Y	1	SX		890
81	5153-36492	TRAVELLING LEVER 260L-N	1			8560
82	5152-12950	LEVER SUPPORT, VIB. E/G/MRH	1			11300
83	5151-21910	HANDLE (PIN-TYPE/EPA)/TF/DSB	1		TF70V	88000
83	5151-21900	HANDLE (PIN-TYPE)/L100N	1		L100	88000
84	5153-36500	LEVER, E/G 133L/MRH-600	1			8030
85	5153-49490	GUIDE, WIRE (E/G)	1			7600
86	5094-36950	COVER, HANDLE BOX	1			3380
91	5153-34460	LEVER COVER, VIB. /MRH-7	1			1720
102	5153-48140	HANDLE, PIN/M10-S	1			5890
103	5154-54980	COLLAR (HANDLE)/MRH600, 700	1			1610
104	3510-10050	GREASE FITTING A-MT6X1	1			150
120	5153-55870	LEVER (PV10), E-START/MRH-700	1			13500
140	5153-36800	GUIDE HOLDER /MRH-700	1	OJH	TF70V	6000
140	5093-21160	GUIDE HOLDER/MR-5, 6	1	SS!	L100	5850
141	0012-20635	BOLT 6X35 T	1		TF70V	88
141	0012-20630	BOLT 6X30 T	1		L100	88
142	5154-50560	SPACER (PV10) /MRH-700	1		TF70V	810
180	5153-49870	COVER (FOR KEY, SWITCH)/DSA	1			4500
211	5153-34240	CABLE AY (VIB.)				7280
212	5153-34820	ROD /MRH-7	1			2950
213	9593-00870	KNOB 42D-77L	1			1500
214	9524-05700	WASHER 19X40X0.6	2			270
215	0321-18300	CONICAL SPRING WASHER M18	2			410
216	0204-18110	NUT M18, H=11	1			280
217	5153-42360	CABLE AY 1700L /MRH	1			8560
240	0012-20830	BOLT 8X30 T	1		L100	88
332	0203-12100	NUT M12	1			110
335	0012-20815	BOLT 8X15 T	1			88
336	0302-08200	SW M8	1			21
345	0203-06050	NUT M6	1			28
346	0012-20630	BOLT 6X30 T	1			88
347	9524-04470	WASHER 6.5X15X1.6	2			190
349	0302-06150	SW M6	1			21
350	0227-10607	NYLON NUT M6	1			48
352	5154-52200	HOLDER, SPRING CYLINDER	1			3250
353	5154-61580	LINK CAP, NEW /MRH-700	1			5000
354	5064-42940	COLLAR 16.5X30X3	2			1250
355	9524-01560	WASHER 8.5X20X3	1	SX		65
356	5064-42920	PISTON /MRH	2			1300
357	5154-61570	SPRING 6.5 /MRH-700	1			850

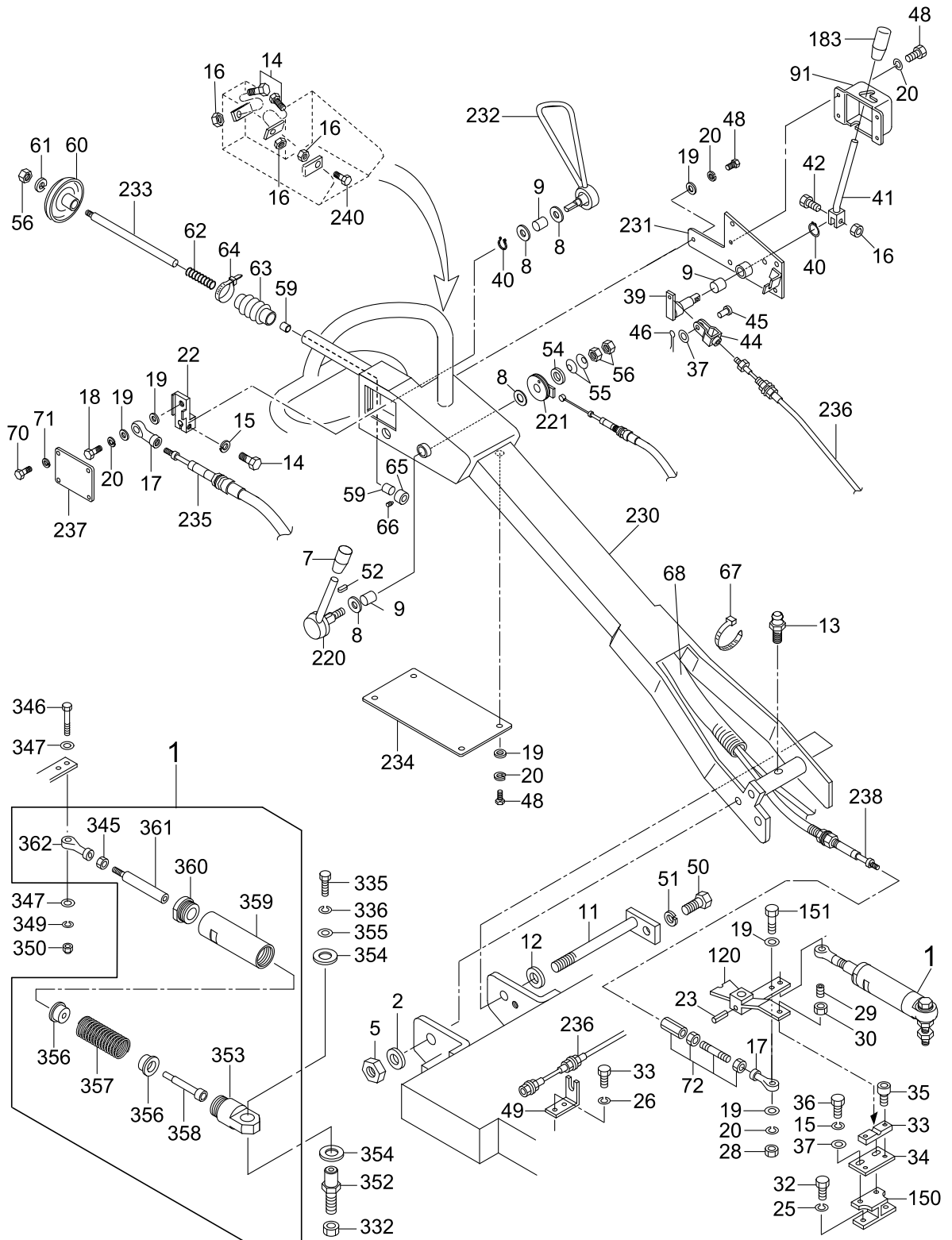
## CONTROL (FOR EXPORT)

NO.	PART/NO.	PartsName	Q' TY	MK2	REMARKS	List Price
358	5154-61600	INNER SHAFT, NEW /MRH-700	1			2750
359	5154-61590	CYLINDER , NEW /MRH-700	1			3750
360	5064-42930	CAP /MRH	1			3150
361	5154-61610	OUTER SHAFT, NEW /MRH-700	1	SS!5154-71630		2000
362	5010-11162	ROD END PR6-209	1			1570

CONTROL (FOR EU)

**MRH-700DSCB**  
CONTROL (FOR "IMER" TYPE)

5PS0



CONTROL (FOR EU)

NO.	PART/NO.	PartsName	Q' TY	MK2	REMARKS	List Price
1	5159-10150	CYLINDER AY/MRH-700DSCA	1			21500
2	0311-20320	PW M20	1			180
5	0225-22017	LOCK NUT U-M20	1			720
7	9594-03840	BAR GRIP, I. D. 12MM	1			480
8	9534-02930	COPPER PACKING 19X30X1	4			300
9	5090-10130	BUSHING MB1825DU	2			450
11	5153-48140	HANDLE, PIN/M10-S	1			5890
12	5154-54980	COLLAR (HANDLE) /MRH600, 700	1			1610
13	3510-10050	GREASE FITTING A-MT6X1	1			150
14	0012-20830	BOLT 8X30 T	3			88
15	0302-08200	SW M8	3			21
16	0203-08060	NUT M8	3			36
17	5010-11162	ROD END PR6-209	2			1570
18	0012-20620	BOLT 6X20 T	1			64
19	9524-04470	WASHER 6. 5X15X1. 6	12			190
20	0302-06150	SW M6	14			21
22	5153-49480	LEVER, JOINT TRAVELLING	1			8560
23	0254-06032	SPRING PIN 6X32	1	SX		92
25	0302-10250	SW M10	2			21
28	0227-10607	NYLON NUT M6	1			48
29	5050-15150	SPRING PLUNGER/M16	1			4540
30	0204-16100	NUT M16, H=10	1			230
32	0012-21020	BOLT 10X20 T	2			110
33	5154-48170	GUIDE /MRH-7	1			3210
34	5154-48180	SLIDE PLATE /MRH-7	1			2410
35	0015-20615	SOCKET HEAD BOLT 6X15 T	2			48
36	0012-20815	BOLT 8X15 T	2			88
37	0311-08160	PW M8	2			36
39	5093-26970	SHAFT, LEVER/VIB. MR7B	1			7310
40	0802-00180	STOP RING S-18	2			72
41	5094-36911	LEVER, VIB. /MR(B)	1			5340
42	0012-20835	BOLT 8X35 T	1			110
44	9594-04760	CLEVIS 8D X44	1			1480
45	9594-04370	PIN 8X22	1			190
48	0012-20615	BOLT 6X15 T	12			64
49	5154-47180	CABLE SUPPORT, VIB. /MRH-7	1			1770
50	0012-21015	BOLT 10X15 T	1			110
51	0302-10250	SW M10	1			21
52	9514-01431	KEY 5X5X8	1			300
54	9524-04790	WASHER 13306	1			400
55	0322-12250	CONICAL SPRING WASHER M12	2			280
56	0203-12100	NUT M12	3			110
59	5090-10140	BUSHING MB1625DU	2			400
60	5154-47720	DISC PLATE, DEAD-MAN/MRH7	1			3540
61	0302-12300	SW M12	1			21
62	5094-36980	SPRING, DEAD-MAN	1			2030
63	5094-36990	PROTECTOR, DEAD-MAN	1			290

CONTROL (FOR EU)

NO.	PART/NO.	PartsName	Q' TY	MK2	REMARKS	List Price
64	5070-10110	CLAMP TC-200	2			52
65	5094-36960	ROD STOPPER, DEAD-MAN	1			1690
66	0992-06006	SOCKET HEAD SCREW 6X6 T	2			48
67	5060-10070	CLAMP TC-150	8			65
68	9590-21911	TUBE 25D-850L	1	SX		540
70	0012-20610	BOLT 6X10 T	4			64
71	0302-06150	SW M6	4			21
72	5019-10010	TURN BUCKLE ASS' Y	1	SX		890
91	5153-34460	LEVER COVER, VIB. /MRH-7	1			1720
120	5153-55870	LEVER (PV10), E-START/MRH-700	1			13500
150	5093-21160	GUIDE HOLDER/MR-5, 6	1	SS!		5850
151	0012-20630	BOLT 6X30 T	1			88
183	9594-03840	BAR GRIP, I. D. 12MM	1			480
220	5153-36790	LEVER, E/G (OPTION)/MRH600	1	OJH		8620
221	5153-30900	GUIDE, WIRE (E/G) OPTION	1			7590
230	5151-21940	HANDLE (PIN-TYPE/IM)	1			0
231	5152-14700	LEVER SUPPORT, VIB. E/G/MRH	1			19000
232	5153-38500	TRAVELLING LEVER (IMER) MRH	1			13500
233	5153-38510	ROD (DEAD-MAN) IMER/MRH700	1			2950
234	5153-38520	COVER, HANDLE BOX IMER/MRH	1	SX		6250
236	5153-42420	PUSH-PULL CABLE 1770/MRH	1			10000
237	5154-52220	COVER (HANDLE-SIDE) /MRH, IM	1	SX		5500
238	5153-42420	PUSH-PULL CABLE 1770/MRH	1			10000
240	0012-20830	BOLT 8X30 T	1			88
332	0203-12100	NUT M12	1			110
335	0012-20815	BOLT 8X15 T	1			88
336	0302-08200	SW M8	1			21
345	0203-06050	NUT M6	1			28
346	0012-20630	BOLT 6X30 T	1			88
347	9524-04470	WASHER 6. 5X15X1. 6	2			190
349	0302-06150	SW M6	1			21
350	0227-10607	NYLON NUT M6	1			48
352	5154-52200	HOLDER, SPRING CYLINDER	1			3250
353	5154-61580	LINK CAP , NEW /MRH-700	1			5000
354	5064-42940	COLLAR 16. 5X30X3	2			1250
355	9524-01560	WASHER 8. 5X20X3	1	SX		65
356	5064-42920	PISTON /MRH	2			1300
357	5154-61570	SPRING 6. 5 /MRH-700	1			850
358	5154-61600	INNER SHAFT, NEW /MRH-700	1			2750
359	5154-61590	CYLINDER , NEW /MRH-700	1			3750
360	5064-42930	CAP /MRH	1			3150
361	5154-61610	OUTER SHAFT, NEW /MRH-700	1	SS!5154-71630		2000
362	5010-11162	ROD END PR6-209	1			1570

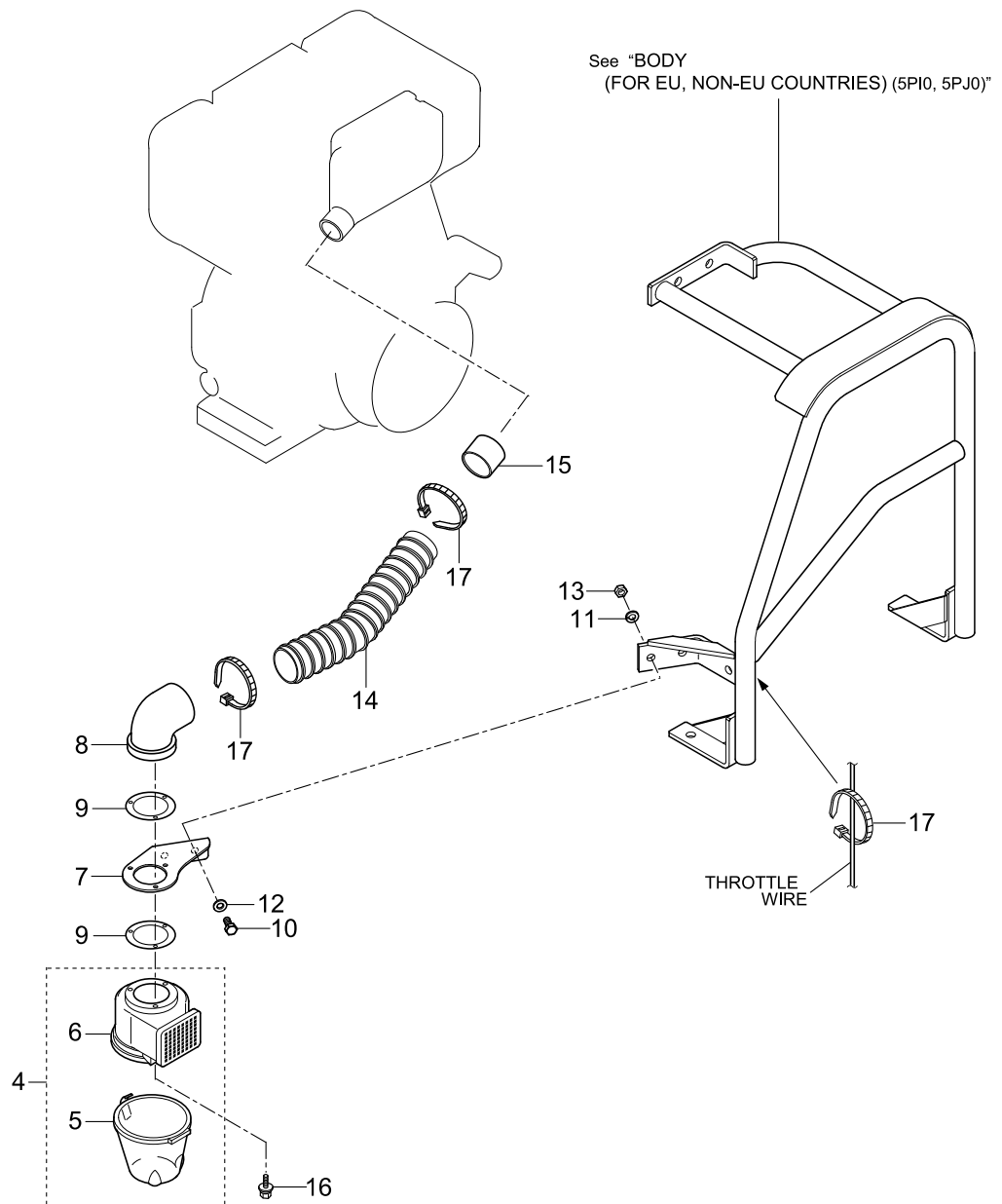


CYCLONE CLEANER (L100N, L100V)

**MRH-700DSCB**

5PT0

CYCLONE CLEANER (YANMER L100N,L100V)



CYCLONE CLEANER (L100N, L100V)

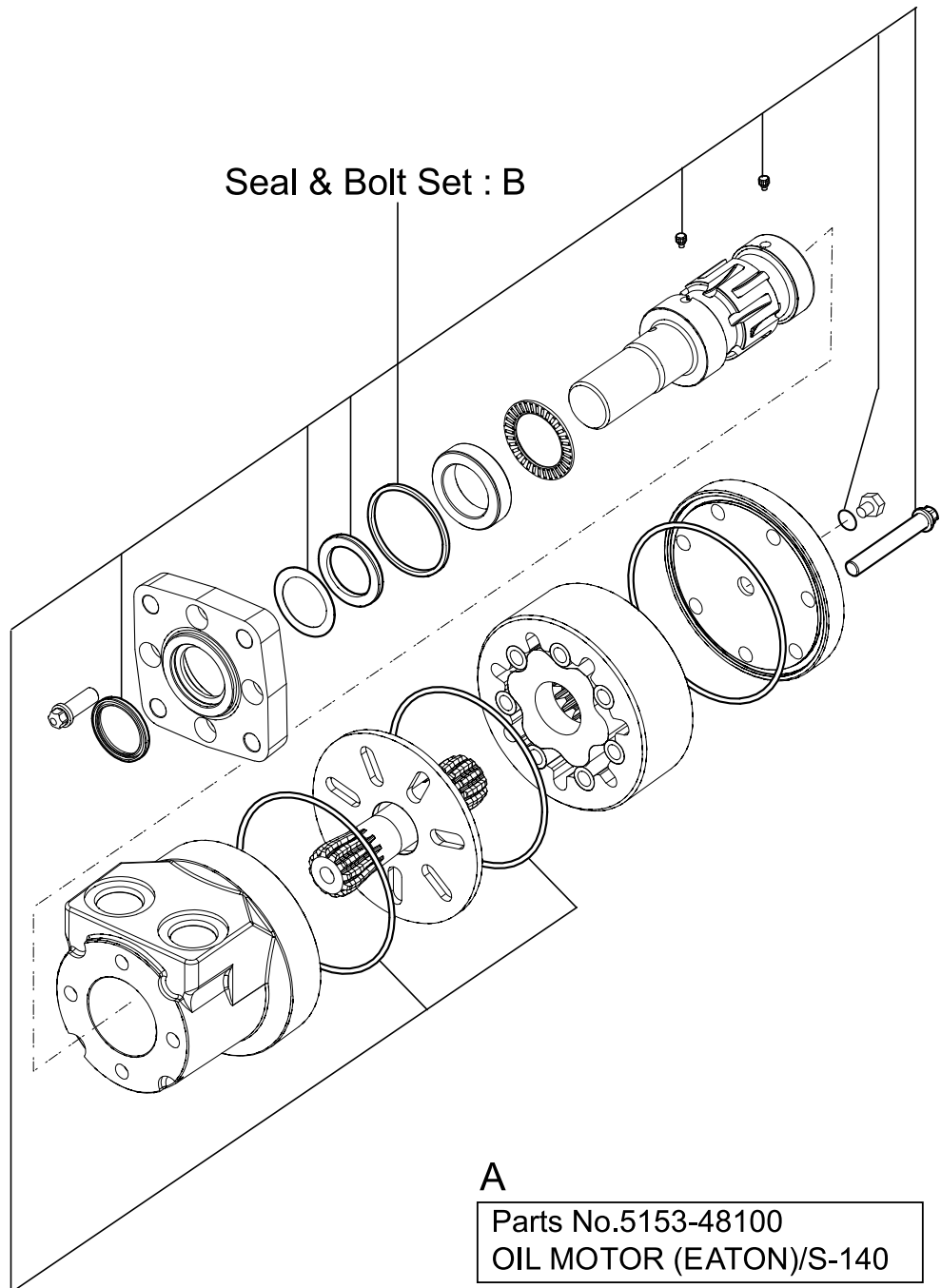
NO.	PART/NO.	PartsName	Q' TY	MK2	REMARKS	List Price
4	4662-18080	AIR, CLEANER, CYCLONE/MVH-206	1			4000
5	4660-10020	DUST POT CP/MVH-306	1			1500
6	4660-10030	CYCLONE CHAMBER CP/MVH306	1			3000
7	4663-48580	CLEANER, STY (CYCLONE)	1			2250
8	4663-48600	CLEANER, ELBOW	1			5000
9	4664-62850	GASKET, AIR INTAKE/206	2			500
10	0012-20820	BOLT 8X20 T	2			88
11	0302-08200	SW M8	2			21
12	0311-08160	PW M8	2			36
13	0203-08060	NUT M8	2			36
14	4663-48590	DUCT HOSE 50X270L	1			2500
15	4664-62840	DUCT GROMMET	1			300
16	0091-10057	SOCKET HEAD BOLT/5X18	3			100
17	5060-10060	CLAMP TC-350	3			300

OIL MOTOR

**MRH-700DSB / DSCB**

5PU0

OIL MOTOR



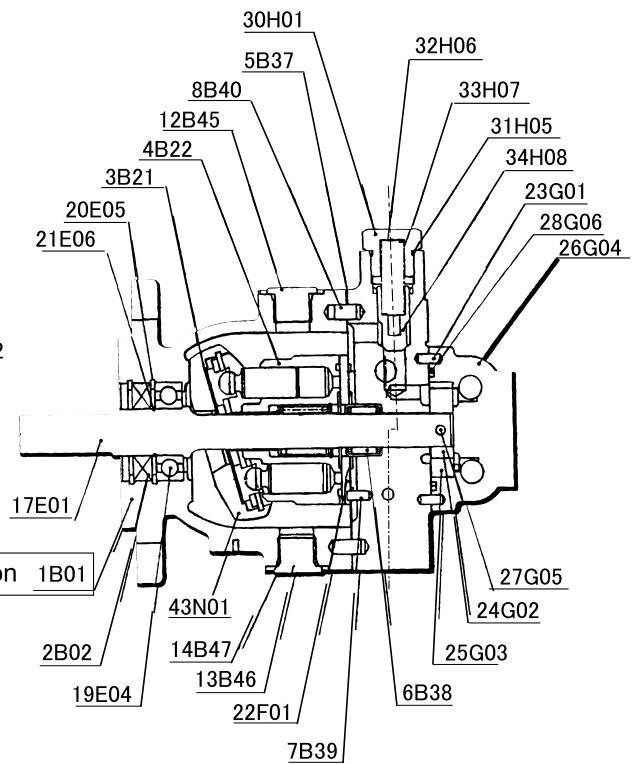
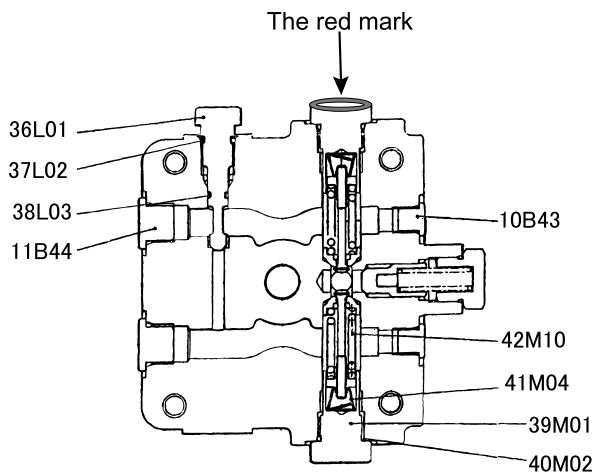
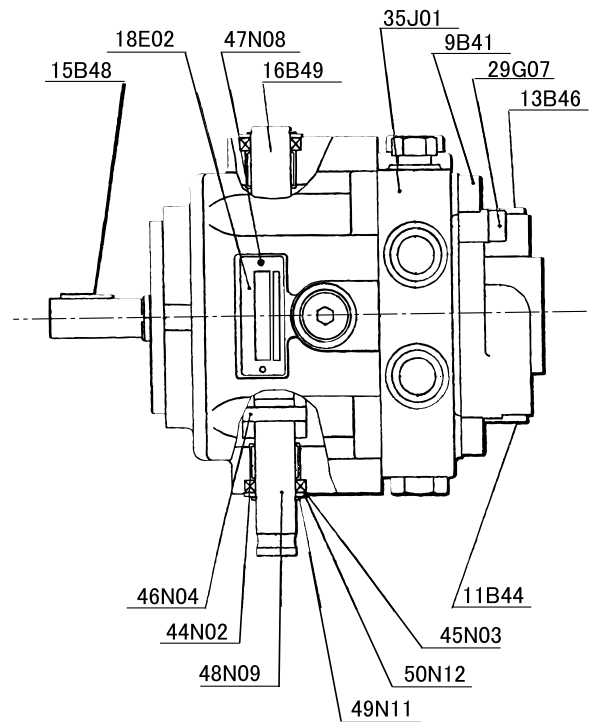
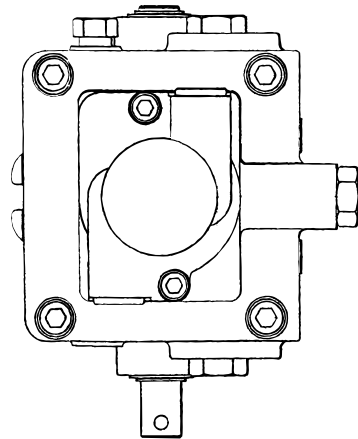
## OIL MOTOR

NO.	PART/NO.	PartsName	Q' TY	MK2	REMARKS	List Price
A	5153-48100	OIL MOTOR (EATON)/S-140	1			64200
B	5000-11124	SEAL/BOLT SET/S-140/700	1			15200

OIL PUMP

PV10 - 610 / 625 ( MRH - ROLLER )  
OIL PUMP

5PV0



B - B

A - A

OIL PUMP

NO.	PART/NO.	PartsName	Q' TY	MK2	REMARKS	List Price
1B0 1	D1713084-02	HOUSING/PV10-610/]NS	1	!NS		0
2B0 2	DSP-1237	OIL SEAL /PV10, MRH	1	SX		3640
3B2 1	D1743394	THRUST PLATE/PV10-610	1	SS!		5140
4B2 2	D1743523	CYLINDER BLOCK KIT/PV10	1	!SD		0
5B3 7	D1732481	GASKET PV10-610	1			3000
6B3 8	DSP-1235	BEARING, NEEDLE/PV10	1	SX		3430
7B3 9	D9004800-1506	PIN/PV10	1			260
8B4 0	D9004800-2506	PIN 6. 4X9. 5L	2			290
9B4 1	DAAM1005001	SCREW, SOCKET HEAD/PV10	4			0
10B 43	D9005110-4400	PLUG ASSY/PV10-610	2			1030
11B 44	DSB-SP2368	SEAL PLUG, 3/8/PV10-610	3			1200
12B 45	DSB-SP2368	SEAL PLUG, 3/8/PV10-610	1			1200
13B 46	DHP11020-3	PLUG/PV10-610	2			2570
14B 47	DKP1B014	O-RING/PV10-610	2			520
15B 48	5020-10590	KEY 5X5X22 / 4DK	1			510
16B 49	D1040311	SCREW 2. 97X4. 8L	2			260
17E 01	D1722349	SHAFT/PV10-610	1			25700
18E 02	D1030499-0000	NAME PLATE /PV16	1	!SD	NS	0
19E 04	0400-06004	BEARING 6004	1	OJH		0
19E 04	0400-06004	BEARING 6004	1	OJH		0
20E 05	0801-00420	STOP RING R-42	2			180
21E 06	D1743357	RETAINING, RING/PV10-610	1			1080
22F 01	D1732523	VALVE PLATE (RH) /PV10-610	1	!SD	PV10-610	0
22F 01	D1733708	VALVE PLATE/PV10-625	1	SS!	PV10-625	42000
23G 01	D9004800-1506	PIN/PV10	2			260
24G 02	D1743769	INNER ROTOR/PV10-610	1	!NS		0
25G 03	D1741832	OUTER ROTOR/PV10-610	1	!NS		0
25G	D1745493-100S	IN OUTER ROTOR SET/PV10-610	1	!SD	SET	18000

OIL PUMP

NO.	PART/NO.	PartsName	Q' TY	MK2	REMARKS	List Price
26G 04	D1722322-01	HOUSING, CHARGE PUMP/PV10	1	!SD		0
27G 05	D1741844	PIN/PV10-610	1			520
28G 06	DKA1B134	O-RING/PV10	1			1290
29G 07	DAAM0802501	SCREW, SOCKET HEAD/PV10	2			780
30H 01	D3102275	PLUG /PV16	1	!SD		0
31H 05	D9004201-5000	O-RING /PV16	1	SX		260
32H 06	D307662	SHIM /PV16		!R227		0
32H 6	D307662-1	SHIM 0.08T /PV16		SS!		430
32H 6	D307662-3	SHIM 0.20T		SS!		430
32H 6	D307662-4	SHIM 0.80T/PV16		SS!		430
32H 6	D307662-5	SHIM 1.20T /PV16		SS!		430
33H 07	D1040314	SPRING /PV16	1			990
34H 08	D1030761	VALVE, CHARGE RELIEF/PV10	1	SS!		5140
35J 01	D1713188-02	END CAP/PV10	1	!SD		0
36L 01	D1743099	VALUE	1	SX		6850
37L 02	DKP1A011	O-RING	1			1160
38L 03	DKP1B006	O-RIG	1			1160
39M 01	D1030771-01	CAP /PV16	2	!SD		0
40M 02	D9004201-5000	O-RING /PV16	2	SX		260
41M 04	D1041146	SPRING /PV16	2	SX		260
42M 10	D1030772-2500	RELIEF VALVE/PV10-610	2	!SD		0
43N 01	D1722262-01	SWASH PLATE/PV10-610	1	!SD		26800
44N 02	D1740782	BEARING-NEEDLE B-1110	2			3120
45N 03	D1040489	OIL SEAL SC17.46-27-5.3	2	SX		2920
46N 04	D1742282	ROLL PIN/PV10-610	4			1030
47N 08	D1040035	SHAFT, TRUNNION	1	!SD		0
48N 09	D1030013	SHAFT, CONTROL	1	SS!		2600
49N 11	0802-00170	STOP RING S-17	2			56



## OIL PUMP

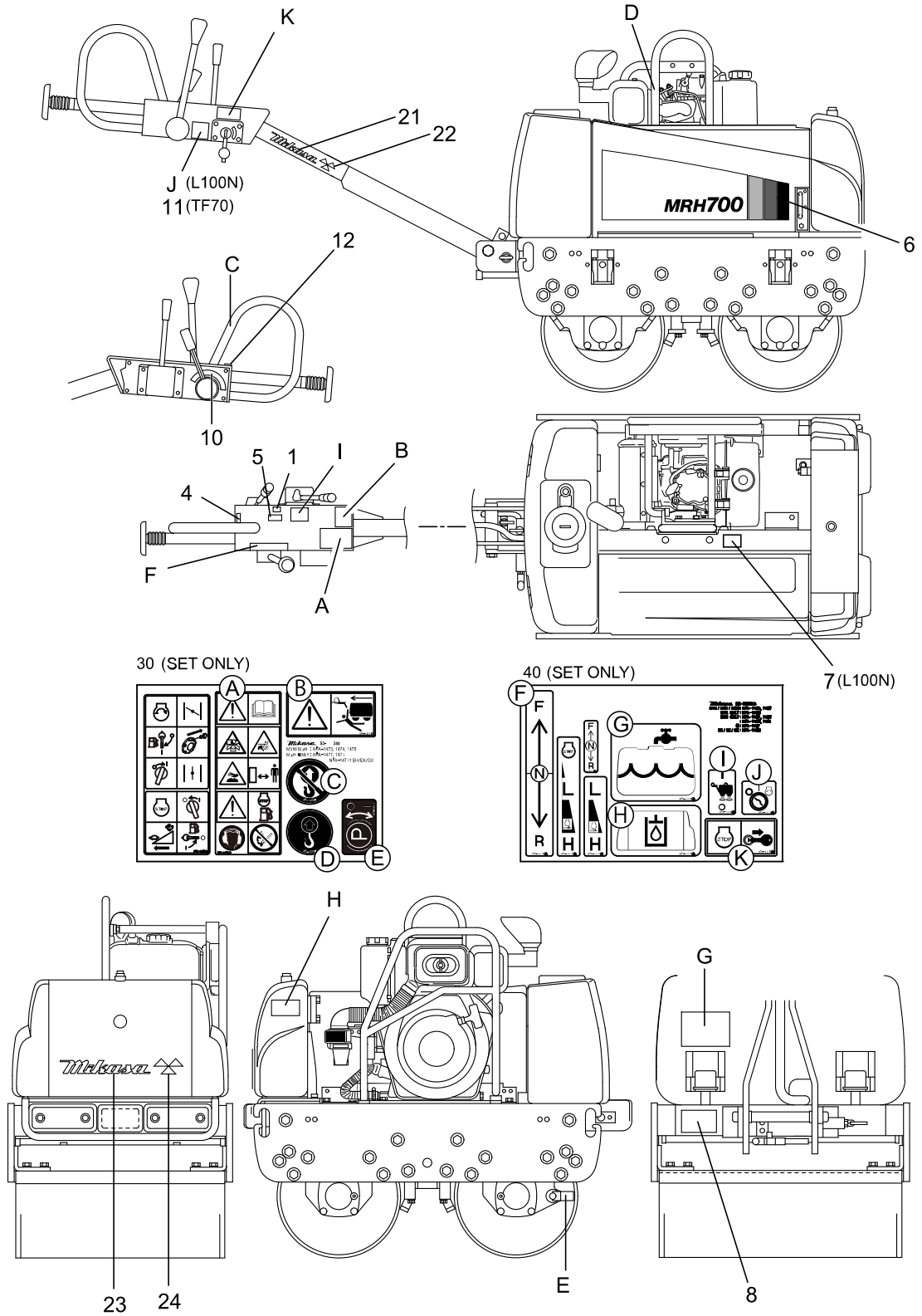
NO.	PART/NO.	PartsName	Q' TY	MK2	REMARKS	List Price
50N 12	D9009625- 6901	WASHER	2	SX		460

NAME PLATE

**MRH-700DSB / DSCB**

5PW0

NAMEPLATE



NAME PLATE

NO.	PART/NO.	PartsName	Q' TY	MK2	REMARKS	List Price
1	9201-02490	DECAL, LAMP	1			200
4	9202-01450	DECAL, HORN	1			170
5	9202-00380	DECAL, ON-OFF	1			170
6	9202-20200	DECAL, MRH-700 (BONNET) /GR	1		GREEN	3000
6	9202-20240	DECAL, MRH-700 (BONNET) /OR	1		ORANGE	3000
7	9202-10320	DECAL, EC NOISE REQ. LWA106	1		L100N	0
8	9202-20340	DECAL, SERIAL NO. /700DSB	1		L100N	0
8	9202-20350	DECAL, SERIAL NO. /700DSB	1		TF70V	0
10	9202-15390	DECAL, FULL THROTTLE/MRH	1			1500
11	9202-15470	DECAL, KEY SWITCH (GLOW)	1	!NS!9209-00130	TF70V	0
12	9202-15480	DECAL, GLOW LAMP (ICON) /MRH	1	!NS!9209-00130	TF70V	0
21	9202-17130	DECAL, MIKASA MARK (W) 200L	2			1000
22	9202-17110	DECAL, MIKASA MARK 35X70	2			250
23	9202-17120	DECAL, MIKASA MARK (W) 250L	1			650
24	9202-17100	DECAL, MIKASA MARK 40X80	1			350
30	9209-00110	DECAL, SET/MVH-MRH/EXP, EU	1			500
40	9209-00120	DECAL, SET/MVH-MRH	1			500
50	9209-00130	DECAL, S. SWITCH & GLOW	1		TF70V	750