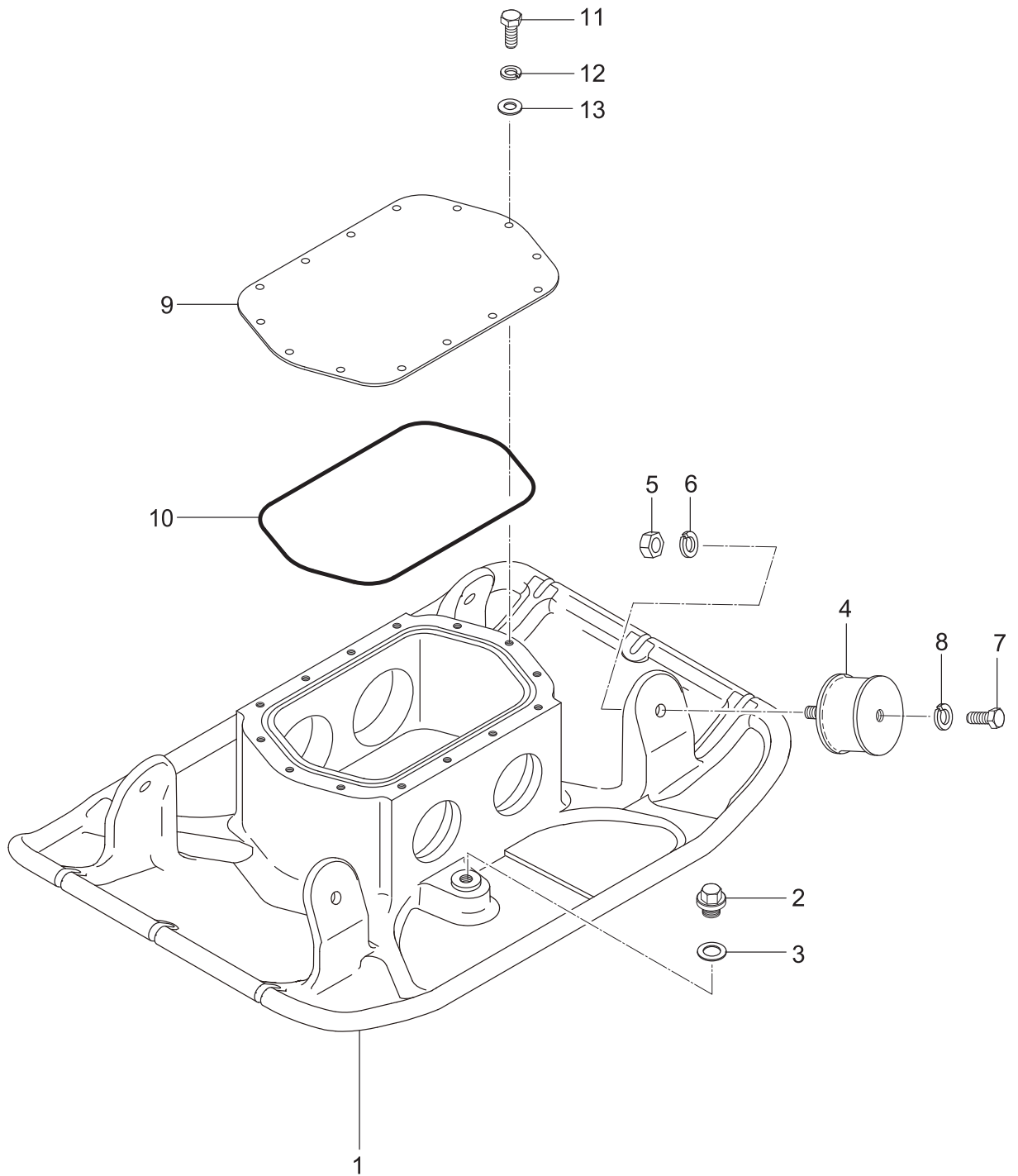


VIBRATING PLATE

MVH-208/209

4WS0

VIBRATING PLATE / 転圧盤関係



VIBRATING PLATE

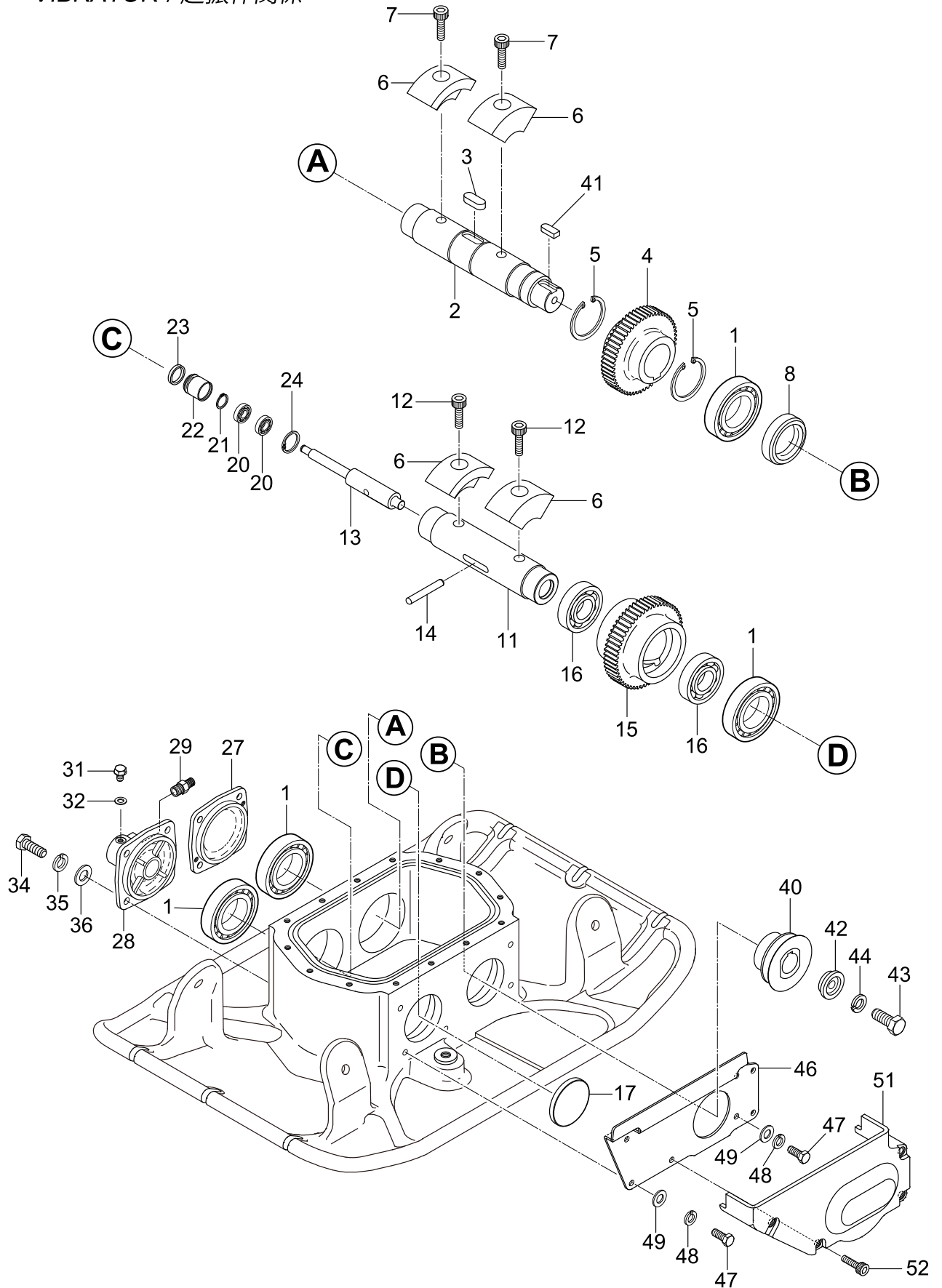
NO.	PART/NO.	PartsName	Q' TY	MK2	REMARKS	List Price
1	4701-21760	VIBRATING PLATE, 500MM/208	1		MVH-208	135000
1	4701-21770	VIBRATING PLATE, 600MM/208	1		MVH-209	140000
2	9534-05270	PLUG 1/4X14 13L	1			770
3	9534-05260	PACKING 1/4 (CU)	1			170
4	9390-10470	SHOCK ABSORBER 75X50H(42)	4		DSZ, DSY	4950
4	9390-10480	SHOCK ABSORBER 75X50H(52)	4		GH	4950
5	0203-12100	NUT M12	4			110
6	0302-12300	SW M12	4			21
7	0012-21230	BOLT 12X30 T	4			220
8	0302-12300	SW M12	4			21
9	4703-53610	COVER, VIBRATOR /MVH-208	1			2750
10	0507-10150	O-RING AS568-274	1			1600
11	0012-20820	BOLT 8X20 T	14			88
12	0302-08200	SW M8	14			21
13	0311-08160	PW M8	14			36

VIBRATOR

MVH-208/209

4WT0

VIBRATOR / 起振体関係



VIBRATOR

NO.	PART/NO.	PartsName	Q' TY	MK2	REMARKS	List Price
1	0479-20130	ROLLER BEARING NJ209EMC4	4			11600
2	4703-53710	ROTARY SHAFT, DRIVE/MVH208	1			35000
3	9514-05370	KEY 15X10X39 RR	1			850
4	4663-47900	GEAR, DRIVE /MVH-206	1			40500
5	0802-00500	STOP RING S-50	2			280
6	4703-53760	ECCENTRIC ROTATOR/GX, 1B	4			6500
6	4703-53760	ECCENTRIC ROTATOR/GX, 1B	4			6500
7	0091-20309	SOCKET HEAD BOLT 12X40T	2			420
8	0601-04020	OIL SEAL SB-45689	1	SX		1200
11	4663-47790	ROTARY SHAFT, DRIVEN/206	1			36000
12	0091-20308	SOCKET HEAD BOLT 12X25T	2			320
13	4663-47860	PISTON ROD /MVH-206	1			13000
14	0255-10063	KNOCK PIN 10X63	1			450
15	4703-53720	GEAR, DRIVEN /MVH-208	1			68800
16	0400-06910	BEARING 6910	2			2700
17	9530-10040	SEAL CAP/AC68-9	1			800
20	0425-06000	BEARING 6000ZZSG	2			820
21	0802-00100	STOP RING S-10	1			48
22	4554-35051	PISTON, 22. 4D /MVH-200	1	SX		3940
23	4550-10070	PACKING USH-22. 4X30X5	1			820
24	0801-00260	STOP RING R-26	1			110
27	4703-53730	BEARING COVER /MVH-208	1			4000
28	4703-53740	CYLINDER (R) /MVH-208	1			19100
29	9540-10020	CONNECTOR PT, PF1/4	1			520
31	0012-20812	BOLT 8X12 T	1	SX		88
32	9534-04600	COPPER PACKING 8. 2X16X1. 6	1	SX		290
34	0012-20825	BOLT 8X25 T	8			88
35	0302-08200	SW M8	8			21
36	0311-08160	PW M8	8			36
40	4703-53770	PULLEY, 90/GX, 1B/MVH-208	1			8500
40	4703-53770	PULLEY, 90/GX, 1B/MVH-208	1			8500
41	9514-03610	KEY 10X8X30 R	1			360
42	4704-68730	WASHER / MVH-208	1			2100
43	0012-21230	BOLT 12X30 T	1			220
44	0302-12300	SW M12	1			21
46	4703-53750	GUIDE, BELT COVER/MVH-208	1			6500
47	0012-20820	BOLT 8X20 T	3			88
48	0302-08200	SW M8	3			21
49	0311-08160	PW M8	3			36
51	4702-19540	BELT COVER, LOWER/MVH-208	1			15000
52	0015-20854	SOCKET HEAD BOLT 8X70 T	4	SX		140

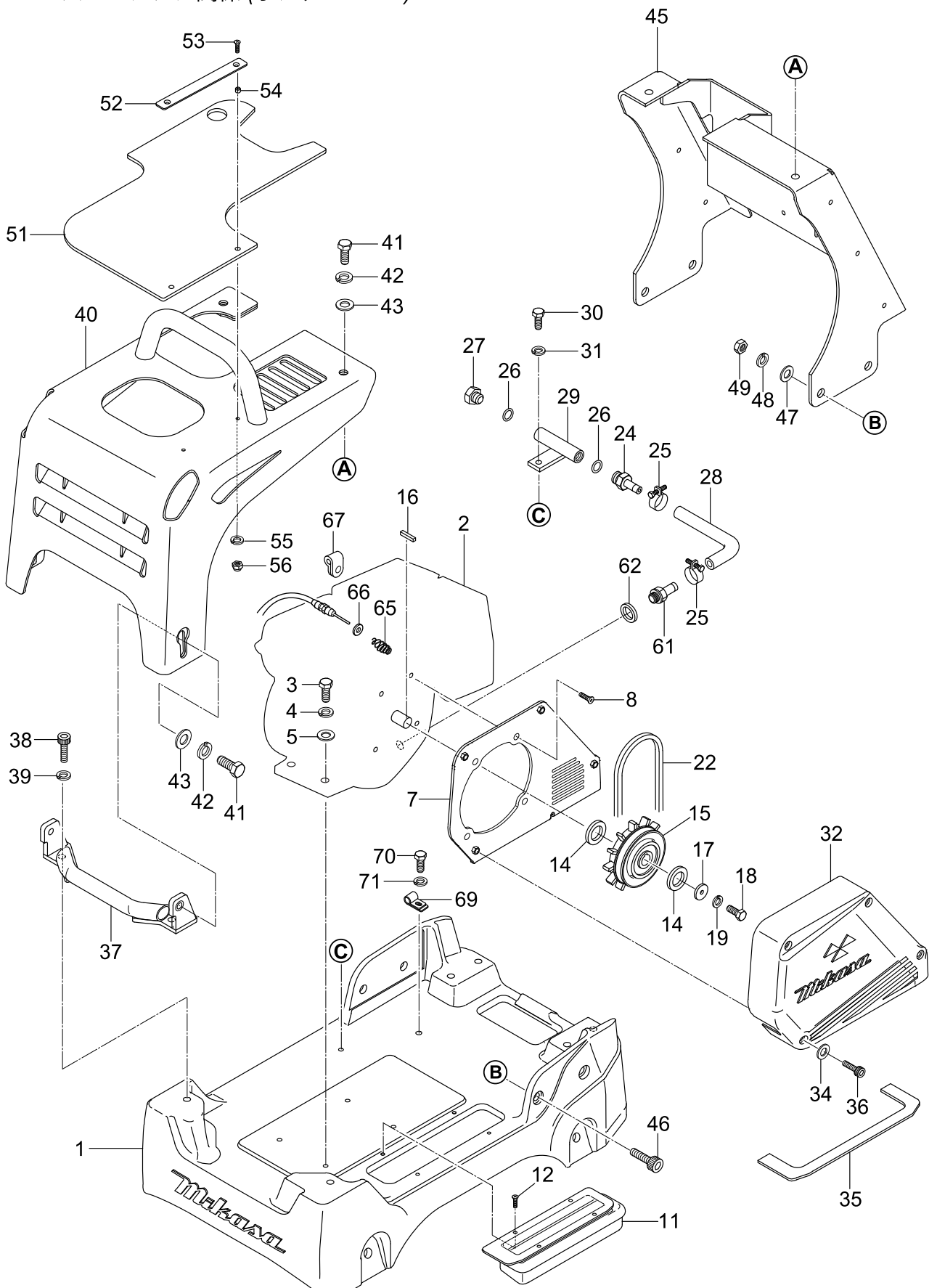
BASE & ENGINE/GH

MVH-208/209 GH

4WW0

BASE AND ENGINE (HONDA: GX240)

ベース&エンジン関係 (ホンダ: GX240)



BASE & ENGINE/GH

NO.	PART/NO.	PartsName	Q' TY	MK2	REMARKS	List Price
1	4701-21850	BASE /L70, GX240 /MVH-208	1			87500
2	9122-24006	ENGINE AY/GX240OUT2SMXC	1			0
3	0012-21045	BOLT 10X45 T	4			180
4	0302-10250	SW M10	4			21
5	0311-10160	PW M10	4			36
7	4703-53680	BELT COVER, IN/GX240/280	1			10000
8	0091-10071	SOCKET HEAD BOLT 10X25T	4			360
11	4702-19530	DUST COVER /MVH-208	1			5000
12	0920-06010	FLAT HEAD SCREW 6X10	4			28
14	9524-09450	SPACER 25X40X5	2			1150
15	4563-43340	CLUTCH AY/CHM03/W. FAN/304	1			24100
16	9514-00110	KEY 7X7X35	1			360
17	9524-00690	WASHER 9X35X4. 5	1			420
18	0012-20830	BOLT 8X30 T	1			88
19	0302-08200	SW M8	1			21
22	0702-00383	VBELT B-38GREEN/HDPF5380	1			3860
24	255-63901-11	UNION	1			5160
25	4590-10090	HOSE BAND/DY23	2			500
26	021-11400-20	GASKET	2			53
27	040-11400-30	PLUG	1			210
28	4654-59390	DRAIN HOSE / MVH-406	1			1200
29	4644-57380	DRAIN JOINT/MVH-306	1			4020
30	0012-20820	BOLT 8X20 T	1			88
31	0302-08200	SW M8	1			21
32	4701-21780	BELT COVER (OUT)/MVH-208	1			12500
34	0339-10220	WASHER (8. 4X15. 5X1. 6)	4			75
35	4703-53640	DUST SPONGE (OUT)/MVH-208	1			1400
36	0015-20854	SOCKET HEAD BOLT 8X70 T	4	SX		140
37	4703-53650	FRONT BUNPER /MVH-208	1			12000
38	0015-21235	SOCKET HEAD BOLT 12X35 T	2			180
39	0302-12300	SW M12	2			21
40	4701-21830	FRONT COVER, GX240/MVH-208	1			43000
41	0012-21235	BOLT 12X35 T	4			220
42	0302-12300	SW M12	4			21
43	0311-12230	PW M12	4			54
45	4701-21840	CENTER COVER, GX240/MVH208	1			25000
46	0015-21235	SOCKET HEAD BOLT 12X35 T	4			180
47	0311-12230	PW M12	4			54
48	0302-12300	SW M12	4			21
49	0203-12100	NUT M12	4			110
51	4704-68810	RUBBER COVER, UPPER/208GH	1			2500
52	4674-66810	STOPPER, COVER/MVH-308GH	1			2650
53	0091-20424	SOCKET HEAD BOLT 6X25T	2			160
54	6174-65130	COLLAR 6. 2X7. 8X4. 5	2			90
55	0302-06150	SW M6	2			21
56	0227-10607	NYLON NUT M6	2			48

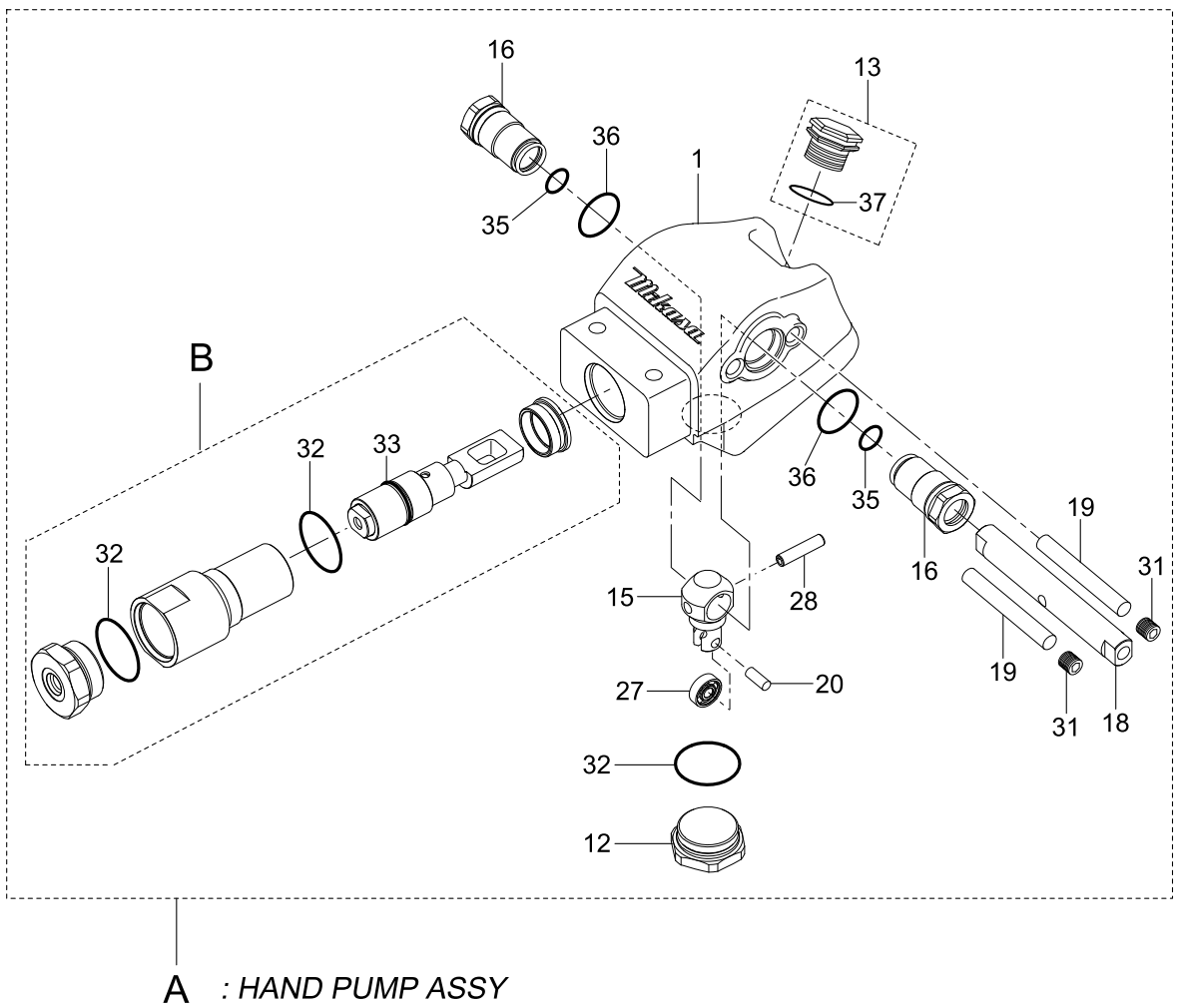
BASE & ENGINE/GH

NO.	PART/NO.	PartsName	Q' TY	MK2	REMARKS	List Price
61	90131-ZE3-790	DRAIN JOINT/MRH-800GH	1			780
62	94109-12000	WASHER, DRAIN PLUG M12	1			75
65	083-00000-10	COIL SPRING	1	S!3714-67760		230
66	0311-05080	PW M5	1			21
67	206-75501-01	CLAMP COMPL	1	S!9544-09880		230
69	9594-07260	CLIP D6 (FOR M10)	1			170
70	0012-21015	BOLT 10X15 T	1			110
71	0302-10250	SW M10	1			21

HAND PUMP

MVH-208/209
HAND PUMP / ハンドポンプ

4XD0



HAND PUMP

NO.	PART/NO.	PartsName	Q' TY	MK2	REMARKS	List Price
-A	4702-19590	HAND PUMP /MVH-208	1			99000
-B	4709-10030	CYLINDER & VALVE AY	1			50000
12	4704-69000	PLUG , PUMP /MVH-208	1			4000
13	4709-10010	BREATHER AY/MVH-208	1		INCL. 37	10000
15	4704-68980	CONTROL ARM /MVH-208	1			11500
16	4704-68970	BUSH, PUMP /MVH-208	2			6500
18	4704-68960	CONTROL SHAFT, PUMP/MVH-208	1			12000
19	4704-68950	STOPPER, PUMP/MVH-208	2			2200
20	4704-68940	PIM 7X18, PUMP/MVH-208	1			1000
27	0403-00627	BEARING 627/MC3	1			630
28	0254-08035	SPRING PIN 8X35	1			120
31	5050-15380	PLUG PT1/4	2			130
32	0502-00360	O-RING P-36	3			140
33	0502-00240	O-RING P-24	1			120
35	0502-10200	O-RING P-20-1B	2			140
36	0501-00250	O-RING G-25	2			92
37	0502-00180	O-RING P-18	1			120

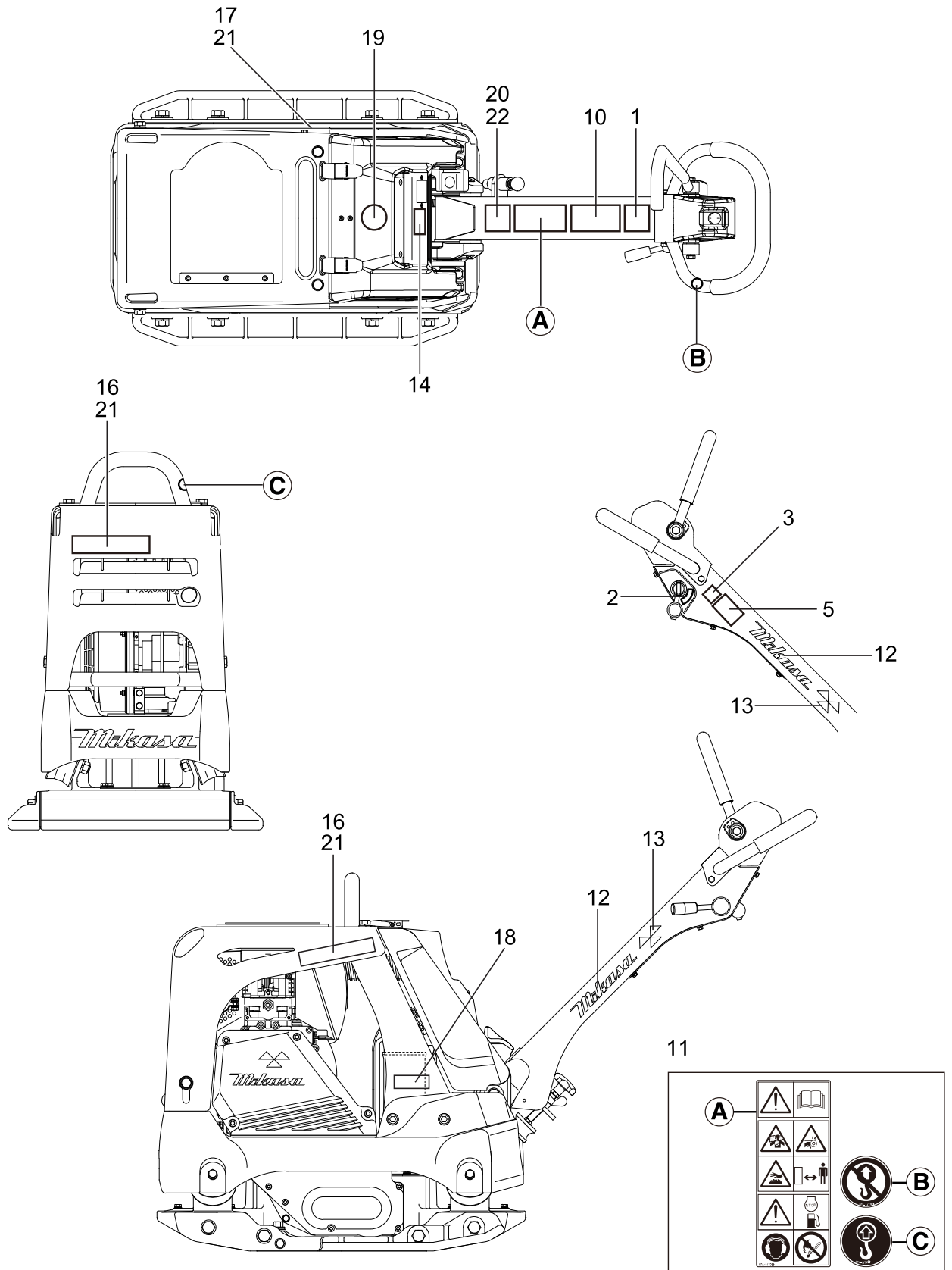
DECAL, NAME PLATE

MVH-208/209

4XB0

DECAL, NAME PLATE (Regions except Japan)

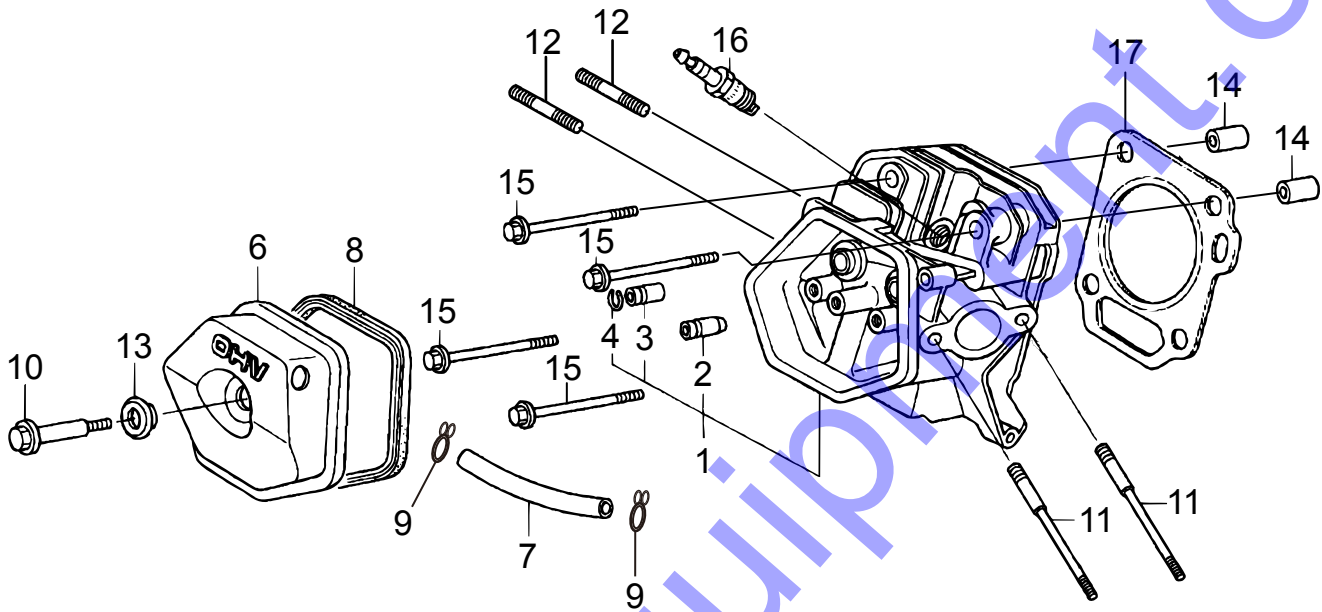
銘板関係 (海外向け仕様)



DECAL, NAME PLATE

NO.	PART/NO.	PartsName	Q' TY	MK2	REMARKS	List Price
1	9202-10100	DECAL, EC NOISE REQ. LWA108	1			200
2	073-20044-60	LABEL (STARTER SWITCH)	1		Diesel Only	350
3	9202-14960	DECAL, KEY OPERATION	1		Diesel Only	0
4	9202-11090	DECAL, SHELL TELLUS OIL 32	1			150
5	9202-14950	DECAL, REMOVE KEY	1		Diesel Only	0
8	9202-14100	DECAL , E/G FIRE WARNING	1			250
10	9202-14760	DECAL, ENGINE HANDLING /GS	1			0
11	9209-00090	DECAL, SET/MVC-MCD/EXP, EU	1		Set Only	500
12	9202-17130	DECAL, MIKASA MARK (W) 200L	2			1000
13	9202-17110	DECAL, MIKASA MARK 35X70	2			250
14	9202-01580	DECAL, MQ MARK 71X55	1			250
14	9202-18140	DECAL, E/G RPM 3400	1		DSZ, GH	230
14	9202-18160	DECAL, E/G RPM 3200	1		DSY	230
15	9202-18390	DECAL, CAUTION /MVH-308	1			750
16	9202-20060	DECAL, MODEL (R, GR) /MVH-208	2		MVH-208	0
16	9202-20080	DECAL, MODEL (R, OR) /MVH-208	2		MVH-208	900
16	9202-20100	DECAL, MODEL (R, GR) /MVH-209	2		MVH-209	0
16	9202-20120	DECAL, MODEL (R, OR) /MVH-209	2		MVH-209	0
17	9202-18140	DECAL, E/G RPM 3400	1			230
17	9202-20090	DECAL, MODEL (L, OR) /MVH-208	1		MVH-208	900
17	9202-20110	DECAL, MODEL (L, GR) /MVH-209	1		MVH-208	0
17	9202-20130	DECAL, MODEL (L, OR) /MVH-209	1		MVH-209	0
17	9202-17720	DECAL, MODEL (L, GR) /MVH-308	1		MVH-209	900
18	9202-13050	DECAL, IMER 35X100 /MTX	2		Only IMER	0
19	9202-08540	DECAL, MARK (IMER)	1		Only IMER	170
20	9202-17240	DECAL, IMER, 3ANS GARANTIE	1		Only IMER	0
21	9202-20310	DECAL, HUTTER 30X237/209D	3	!SD	Only HUTTER	0
22	9202-20190	DECAL, HUTTER, 3ANS GARANTIE	1		Only HUTTER	0

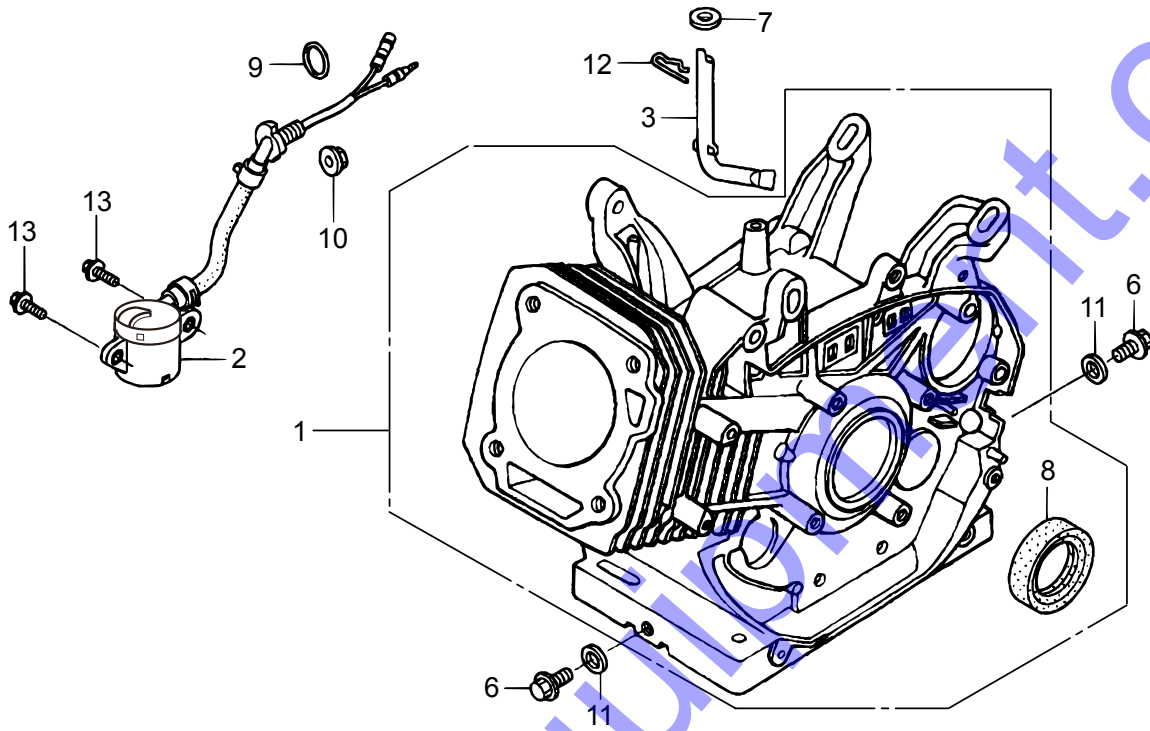
HONDA GX240UT2SMXC ENGINE — CYLINDER HEAD ASSY.



HONDA GX240UT2SMXC ENGINE — CYLINDER HEAD ASSY.

<u>NO.</u>	<u>PART NO.</u>	<u>PART NAME</u>	<u>QTY.</u>	<u>REMARKS</u>
1	12210Z5K405	HEAD, COMPLETE CYLINDER	1.....	INCLUDES ITEMS W/\$
2\$	12204ZE2306	GUIDE, IN.VALVE (OVERSIZE)	1	
3\$	12205ZE2305	GUIDE, EX.VALVE (OVERSIZE)	1	
4\$	12216ZE2300	CLIP, VALVE GUIDE	1	
6	12310ZE3791	COVER COMP., HEAD	1	
7	12315ZE3840	TUBE, BREATHER	1	
8	12391ZE2020	PACKING, HEAD COVER	1	
9	17316611000	CLIP, BREATHER TUBE	2	
10	90014Z5T000	BOLT, HEAD COVER	1	
11	90042ZE2000	BOLT, STUD 8X123	2	
12	92900080320E	BOLT, STUD 8X32	2	
13	90441ZE2010	WASHER COMP., HEAD COVER	1	
14	9430112200	PIN, DOWEL 12X20	2	
15	957011008000	BOLT, FLANGE	4	
16	9807956855	SPARK PLUG	1	
16	0650140480	SPARK PLUG	1	
17	12251Z5K003	GASKET, CYLINDER HEAD	1	

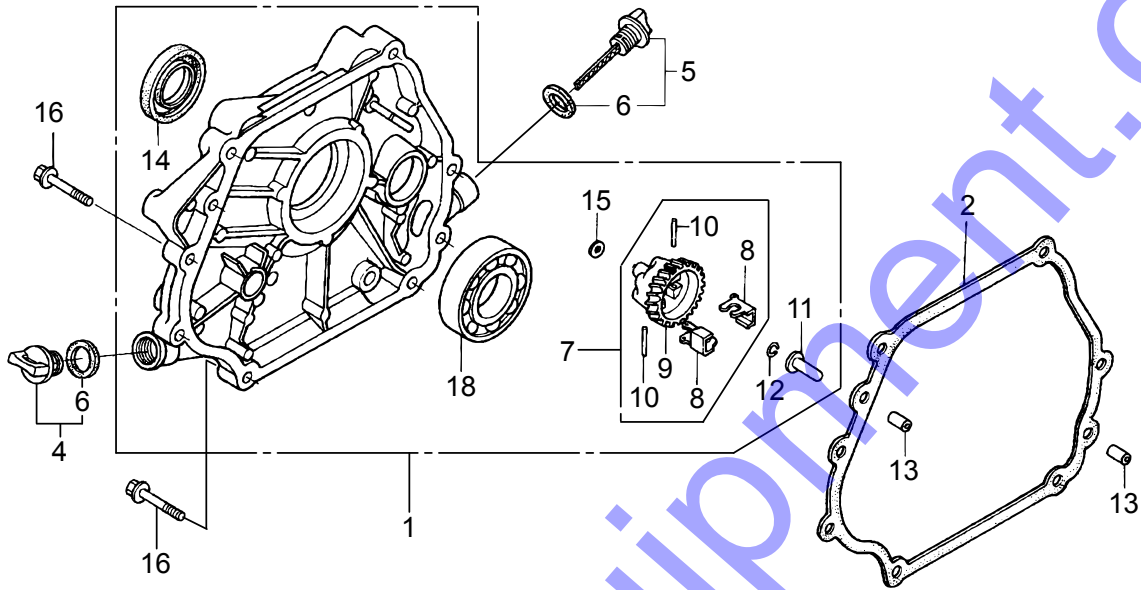
HONDA GX240UT2SMXC ENGINE — CYL. BARREL ASSY.



HONDA GX240UT2SMXC ENGINE — CYL. BARREL ASSY.

NO.	PART NO.	PART NAME	QTY.	REMARKS
1	12000Z5K406	BARREL, ASSY., CYLINDER	1	INCLUDES ITEMS W/\$
2	35480ZF6003	SWITCH ASSY., OIL LEVEL	1	
3	16541ZE2010	SHAFT, GOVERNOR ARM	1	
6	90013883000	FLANGE BOLT, 6X12	2	
7	90446KE1000	WASHER, 8.2X17X0.8	1	
8\$	91201Z1D003	OIL SEAL, 30X46X8	1	
9	91353671003	O-RING, 14MM	1	REPLACES P/N 91353671004
10	9405010000	FLANGE NUT M10	1	
11	031112230	WASHER, DRAIN PLUG M12	2	REPLACES P/N 9410912000
12	9425110000	PIN, LOCK 10MM	1	
13	957010601200	FLANGE BOLT 6X12	2	

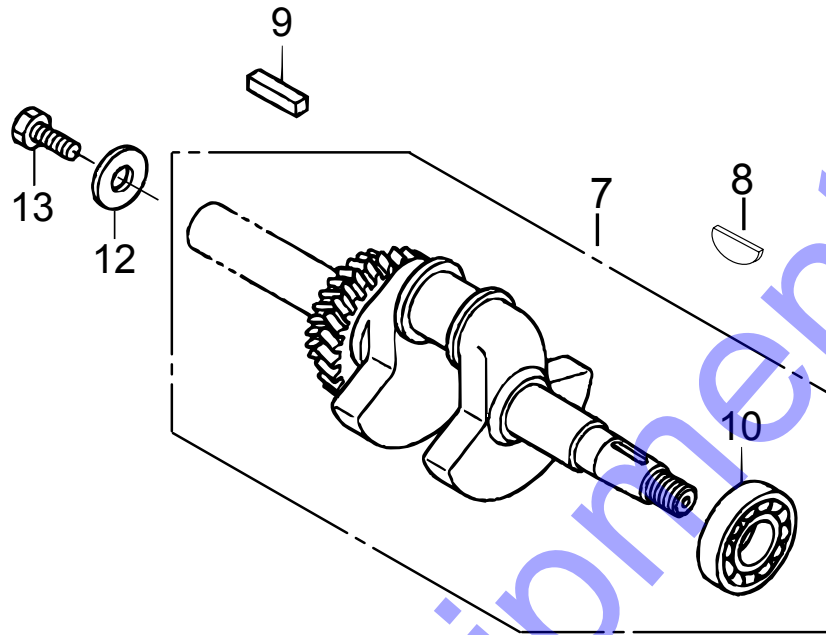
HONDA GX240UT2SMXC ENGINE — CRANKCASE COVER ASSY.



HONDA GX240UT2SMXC ENGINE — CRANKCASE COVER ASSY.

<u>NO.</u>	<u>PART NO.</u>	<u>PART NAME</u>	<u>QTY.</u>	<u>REMARKS</u>
1	11300Z1D810	COVER ASSY., CRANKCASE.....	1.....	INCLUDES ITEMS W/\$
2	11381Z5K000	PACKING, CASE COVER	1	
4	15600Z0T820	CAP ASSY., OIL FILLER	1.....	INCLUDES ITEMS W/%
5	15600Z1C000	CAP ASSY., OIL FILLER	1.....	INCLUDES ITEMS W/+
6%+	15625Z0T800	PACKING, OIL FILLER CAP	2	
7\$	16510ZE2000	GOVERNOR ASSY.....	1.....	INCLUDES ITEMS W/#
8\$#	16511ZE2000	WEIGHT, GOVERNOR	2	
9\$#	16512ZE2000	HOLDER, GOVERNOR WEIGHT	1	
10\$#	16513ZE2000	PIN, GOVERNOR WEIGHT	2	
11\$	16531Z0A000	SLIDER, GOVERNOR	1	
12\$	90602ZE1000	CLIP, GOVERNOR HOLDER	1	
13	90701HC4000	PIN, DOWEL 8X12	2	
14\$	91201Z1D003	OIL SEAL 30X46X8	1	
15\$	94010106800	WASHER, FLAT, 6MM	1	
16	957010803500	FLANGE BOLT 8X35	7	
18\$	961006206000	BALL BEARING	1	

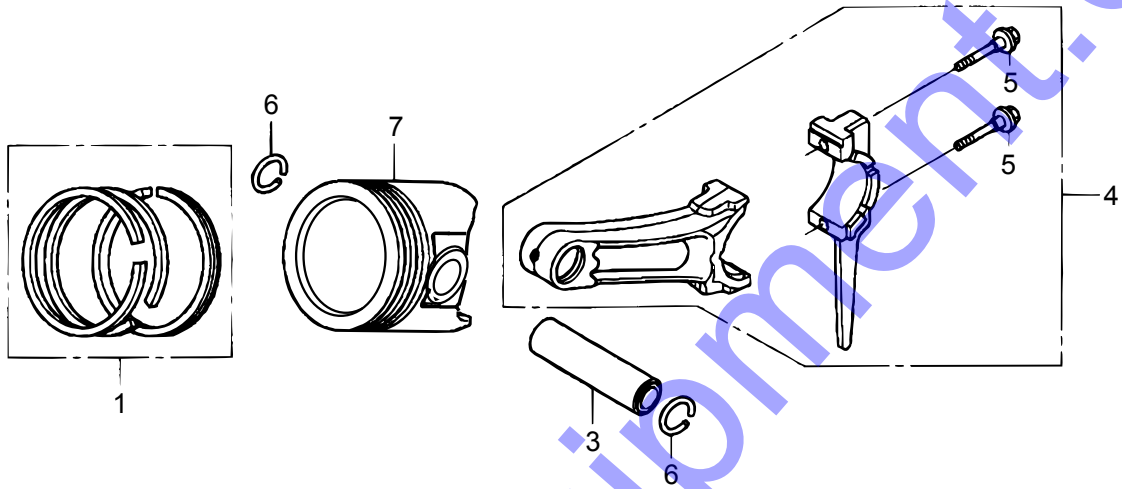
HONDA GX240UT2SMXC ENGINE — CRANKSHAFT ASSY.



HONDA GX240UT2SMXC ENGINE — CRANKSHAFT ASSY.

<u>NO.</u>	<u>PART NO.</u>	<u>PART NAME</u>	<u>QTY.</u>	<u>REMARKS</u>
7	13310ZH9010	CRANKSHAFT COMPLETE.....	1.....	INCLUDES ITEMS W/#
8	90741ZE2000	KEY, SPECIAL WOODRUFF 25X18	1	
9	90741889810	KEY 7X7X33.....	1.....	REPLACES P/N 951400520
10#	91001ZH9003	BEARING, BALL	1	
12	030208200	WASHER, LOCK M8	1	
13	011208030	BOLT 8X30.....	1.....	REPLACES P/N 001220830

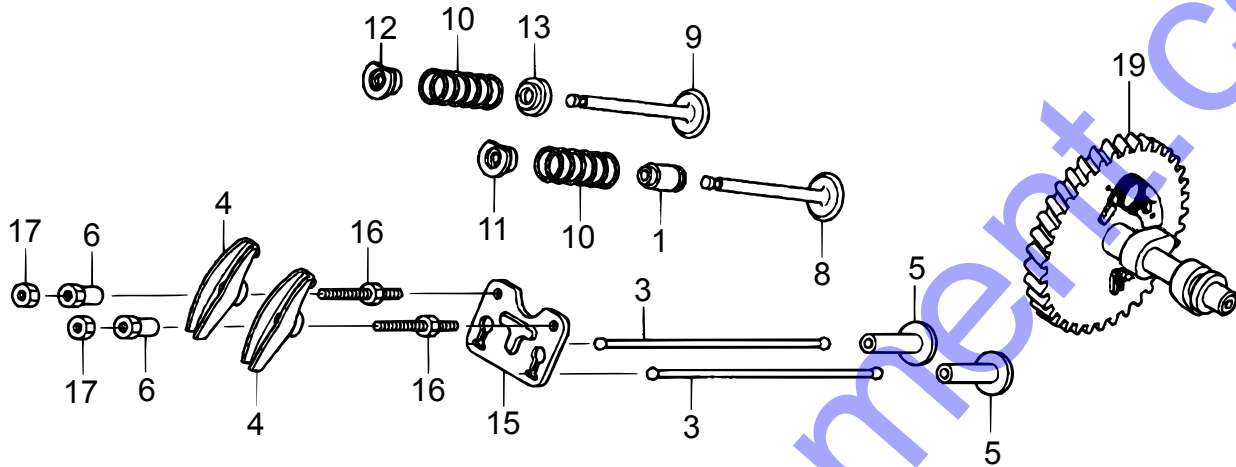
HONDA GX240UT2SMXC ENGINE — PISTON ASSY.



HONDA GX240UT2SMXC ENGINE — PISTON ASSY.

<u>NO.</u>	<u>PART NO.</u>	<u>PART NAME</u>	<u>QTY.</u>	<u>REMARKS</u>
1	13010Z5K004	RING SET, PISTON (STD)	1	
1	13011Z5K004	RING SET, PISTON 0.25 OS	1	
1	13012Z5K004	RING SET, PISTON 0.50 OS	1	
1	13013Z5K004	RING SET, PISTON 0.75 OS	1	
3	13111Z5K000	PIN, PISTON	1	
4	13200Z1D305	ROD ASSY., CONNECTING/0.25UN.....	1	INCLUDES ITEM W/\$
4	13200Z1D900	ROD ASSY., CONNECTING (STD)	1	INCLUDES ITEM W/\$
5\$	90001ZE8000	BOLT, CONNECTING ROD	2	
6	90551ZE1000	CLIP, PISTON PIN 18MM	2	
7	13101Z1D900	PISTON (STD)	1	
7	13102Z5K000	PISTON (0.25 OS)	1	
7	13103Z5K000	PISTON (0.50 OS)	1	
7	13104Z5K000	PISTON (0.75 OS)	1	

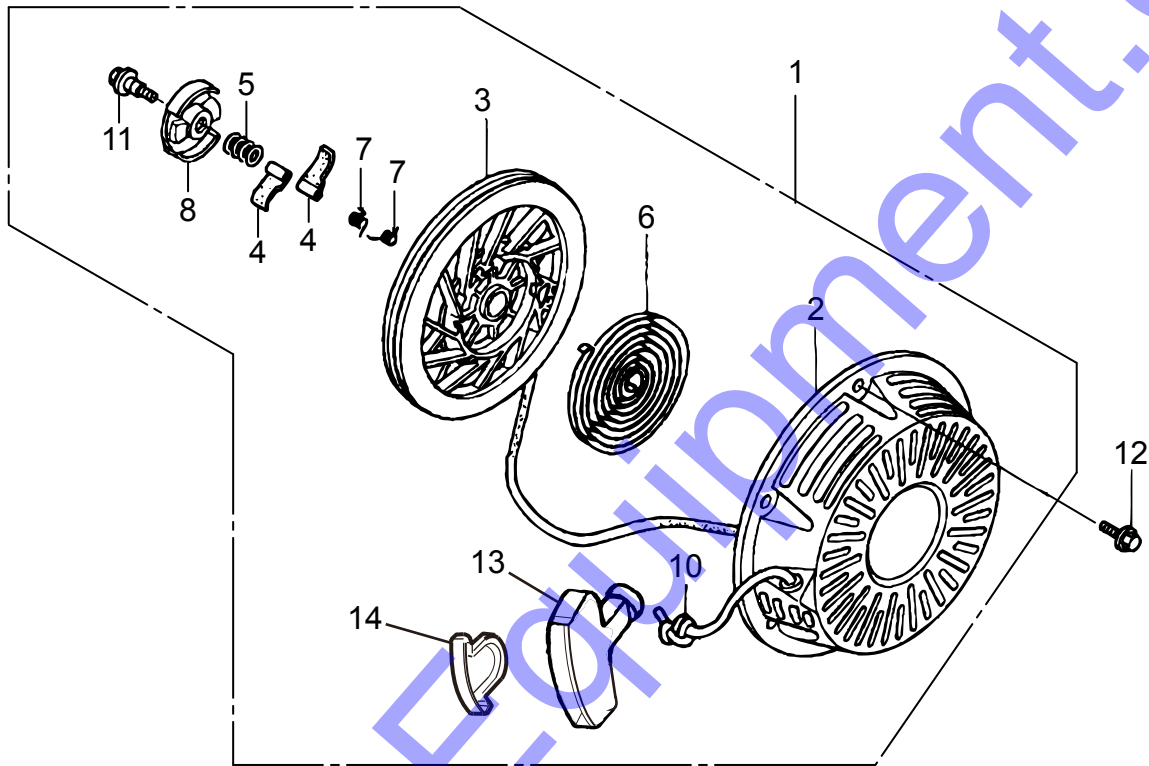
HONDA GX240UT2SMXC ENGINE — CAMSHAFT ASSY.



HONDA GX240UT2SMXC ENGINE — CAMSHAFT ASSY.

<u>NO.</u>	<u>PART NO.</u>	<u>PART NAME</u>	<u>QTY.</u>	<u>REMARKS</u>
1	12209ZE8003	SEAL, VALVE STEM	1	
3	14410Z1D000	ROD, PUSH	2	
4	14431ZE2010	ARM, VALVE ROCKER	2	
5	14441ZE2000	LIFTER, VALVE	2	
6	14451ZE1013	PIVOT, ROCKER ARM	2	
8	14711Z5K900	VALVE, IN.	1	
9	14721Z5K900	VALVE, EX	1	
10	14751Z1C000	SPRING, VALVE	2	
11	14771Z8S000	RETAINER, VALVE SPRING	1	
12	14771Z8S000	RETAINER, VALVE SPRING	1	
13	14775ZE2010	SEAT, VALVE SPRING	1	
15	14791Z1D000	PLATE, PUSH ROD GUIDE	1	
16	90012ZE0010	BOLT, PIVOT, 8MM	1	
17	90206ZE1000	NUT, PIVOT ADJUSTING	2	
19	14100Z5K910	CAMSHAFT CP/STD/PRESS FIT	1	

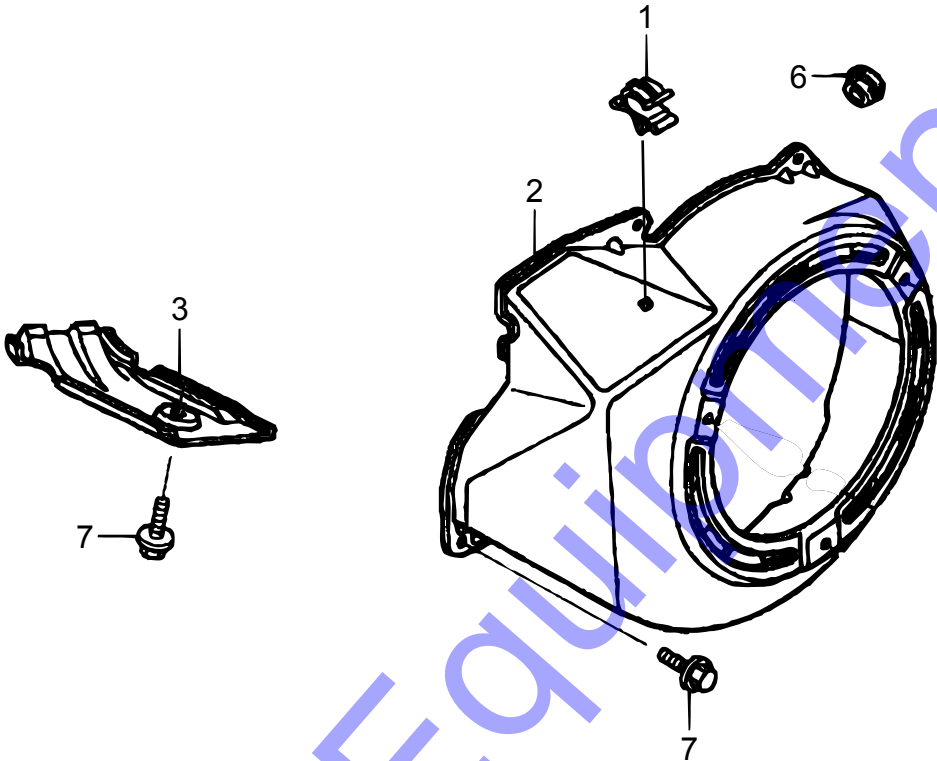
HONDA GX240UT2SMXC ENGINE — RECOIL STARTER ASSY.



HONDA GX240UT2SMXC ENGINE — RECOIL STARTER ASSY.

<u>NO.</u>	<u>PART NO.</u>	<u>PART NAME</u>	<u>QTY.</u>	<u>REMARKS</u>
1	28400Z5K305ZB	RECOIL STARTER ASSY.	1.....	INCLUDES ITEMS W/\$
2\$	28410ZE2W01ZB	CASE COMPLETE, RECOIL STARTER	1	
3\$	28421ZE2W01	PULLEY, RECOIL STARTER	1	
4\$	28422ZE2W01	RATCHET, STARTER	2	
5\$	28441ZE2W01	SPRING, FRICTION	1	
6\$	28442ZE2W01	SPRING, STARTER RETURN	1	
7\$	28443ZE2W01	SPRING, RATCHET	2	
8\$	28444ZE2W01	RETAINER, SPRING	1	
10\$	28462ZE2W11	ROPE, RECOIL STARTER	1	
11\$	90004ZE2W01	SCREW, CENTER	1	
12	957010601000	BOLT FLANGE 6X10	3	
13\$	28461Z5T305	GRIP, STARTER	1	
14\$	28463Z5T013	GRIP, REINFORCEMENT	1	

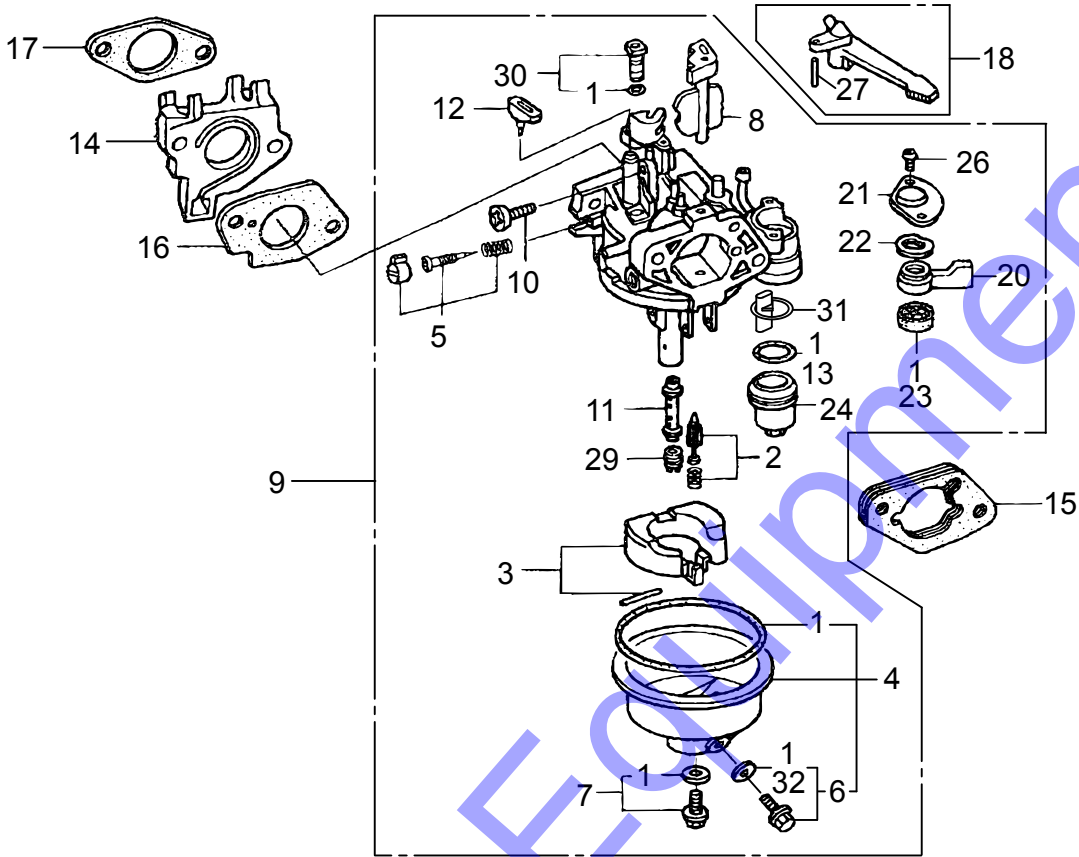
HONDA GX240UT2SMXC ENGINE — FAN COVER ASSY.



HONDA GX240UT2SMXC ENGINE — FAN COVER ASSY.

<u>NO.</u>	<u>PART NO.</u>	<u>PART NAME</u>	<u>QTY.</u>	<u>REMARKS</u>
1	16731ZE2003	CLIP, TUBE	1	
2	19610Z5K000ZA	COVER, COMPLETE FAN	1	
3	19631Z5K000	SHROUD	1	
6	81329567020	GROMMET, DRAIN HOLE	1	
7	90013883000	FLANGE BOLT 6X12	6	

HONDA GX240UT2SMXC ENGINE — CARBURETOR ASSY.



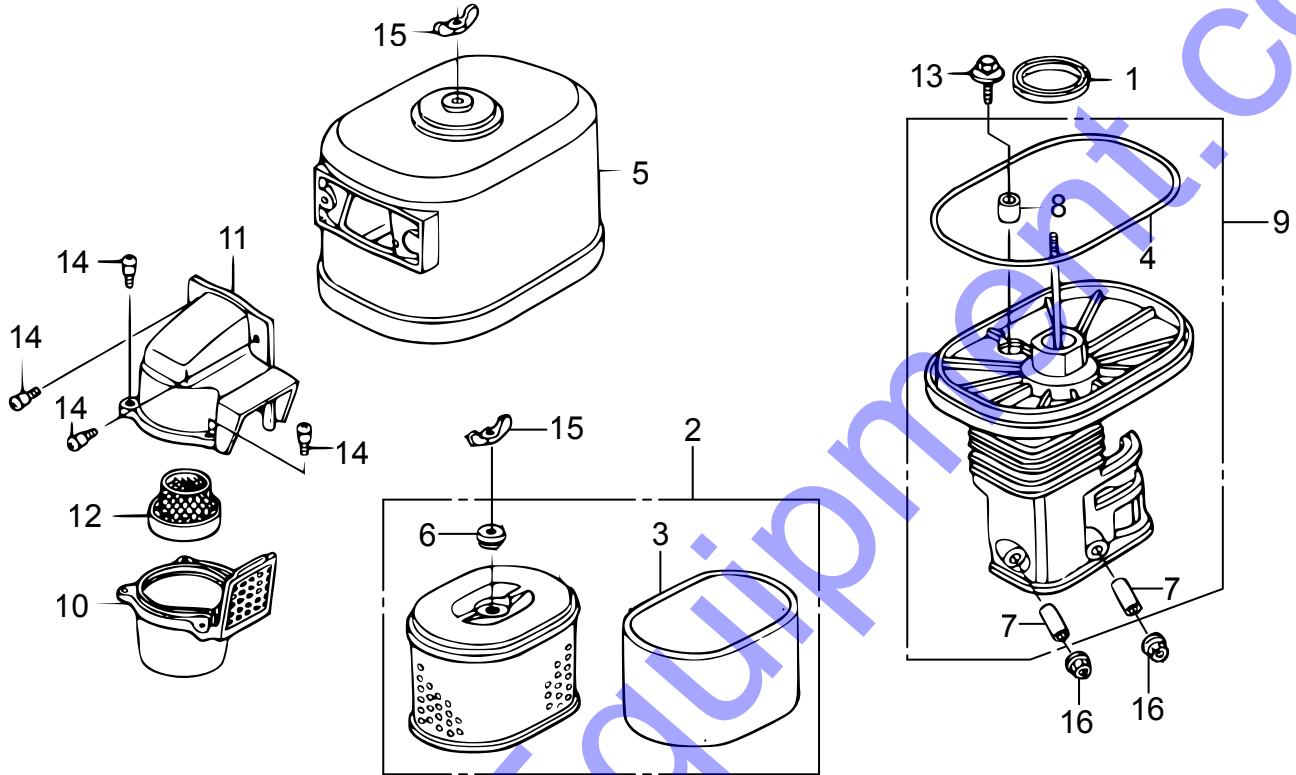
NOTICE

Gasket set, item 1 included with items 6, 7, 13, 23, 30 and 32..

HONDA GX240UT2SMXC ENGINE — CARBURETOR ASSY.

NO.	PART NO.	PART NAME	QTY.	REMARKS
1#	16010ZE2812	GASKET SET	1	
2#	16011ZA0931	VALVE SET, FLOAT	1	
3#	16013Z1C003	FLOAT SET	1	
4#	16015Z5T901	CHAMBER SET, FLOAT	1	
5#	16016ZH7W01	SCREW SET, PILOT	1	
6#	16024Z5T901	SCREW SET, DRAIN	1	
7#	16028Z5T901	SCREW SET	1	
8#	16044ZE2005	CHOKE SET	1	
9	16100Z8S902	CARBURETOR ASSY.....	1	INCLUDES ITEMS W/#
10#	16124ZE0005	SCREW, THROTTLE STOP	1	
11#	16166Z8S901	NOZZLE, MAIN	1	
12#	16172ZE3W10	COLLAR SET	1	
13#	16955283000	PACKING, CUP.....	1	REPLACES P/N 16173001004
14	16211ZE2010	INSULATOR, CARBURETOR	1	
15	16220ZA0702	SPACER COMP., CARBURETOR	1	
16	16221Z5K000	PACKING, CARBURETOR	1	
17	16212Z5K000	PACKING, INSULATOR	1	
18	16610ZE1000	CHOKE LEVER COMPLETE	1	INCLUDES ITEMS W/\$
20#	16953ZE1812	LEVER, COCK	1	
21#	16954ZE1812	PLATE, LEVER SETTING	1	
22#	16956ZE1811	SPRING, COCK LEVER	1	
23#	16957ZE1812	PACKING, FUEL COCK	1	
24#	16967ZE0811	CUP, FUEL STRAINER	1	
26#	93500030060H	SCREW 3X6	2	REPLACES P/N 93500030061H
27\$	9430520122	SPRING PIN 2X12	1	
29#	99101ZH80980	JET, MAIN #98	1	
30#	99204ZE20380	JET SET, PILOT, #38	1	
31#	16959Z5T901	FILTER, CUP	1	
32#	16141Z0S003	WASHER, FLAT	1	

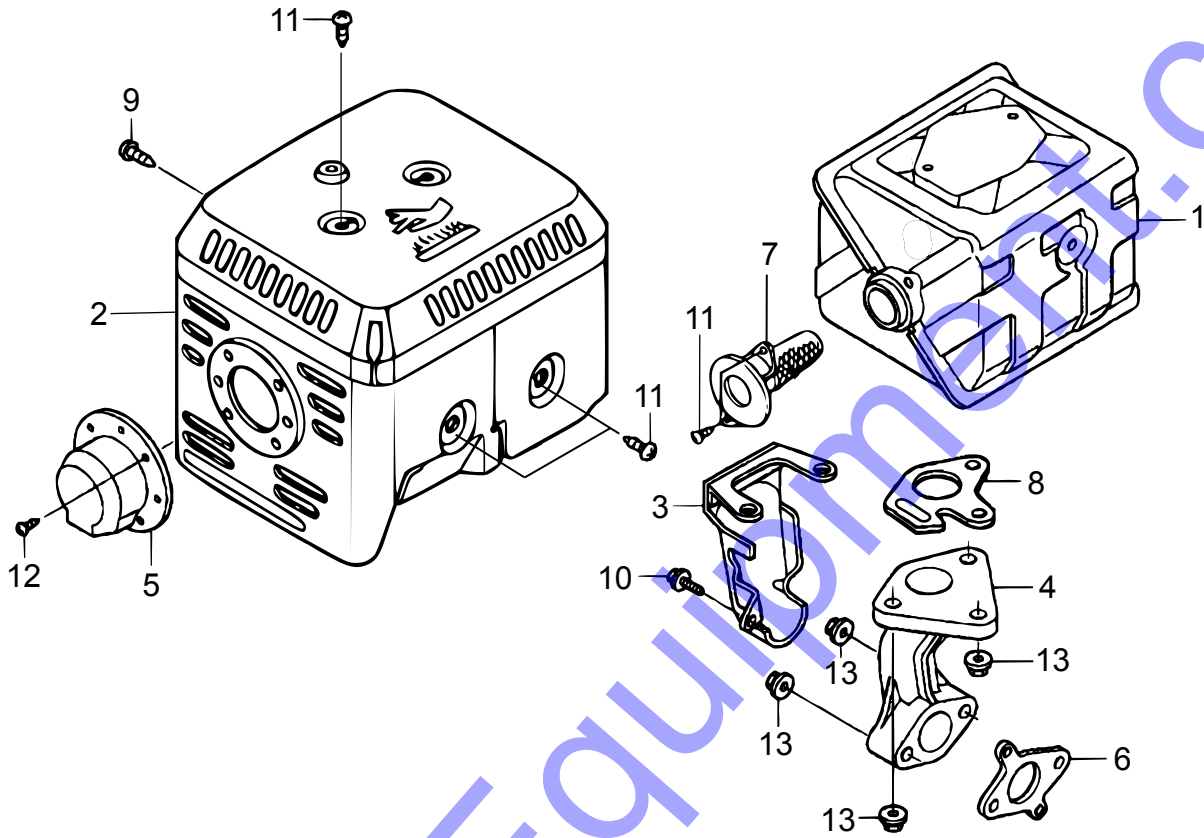
HONDA GX240UT2SMXC ENGINE — AIR CLEANER ASSY.



HONDA GX240UT2SMXC ENGINE — AIR CLEANER ASSY.

<u>NO.</u>	<u>PART NO.</u>	<u>PART NAME</u>	<u>QTY.</u>	<u>REMARKS</u>
1	16271ZE2010	PACKING, ELBOW	1	
2	17210ZE3505	ELEMENT, AIR CLEANER	1.....	REPLACES P/N 17210ZE3010 INCLUDES ITEMS W/#
3#	17218ZE3505	FILTER, OUTER	1.....	REPLACES P/N 17218ZE3000
4\$	17219HA2405	PACKING, AIR CLEANER COVER.....	1.....	REPLACES P/N 17219ZE3840
5	17230ZE3841	COVER COMPLETE, AIR CLEANER	1	
6#	17232891000	GROMMET, AIR CLEANER	1	
7\$	17238ZE2310	COLLAR, AIR CLEANER	2	
8\$	17239ZE3840	COLLAR B, AIR CLEANER	1	
9	17410ZE3841	ELBOW COMPLETE AIR CLEANER.....	1.....	INCLUDES ITEMS W/\$
10	17470ZE3842	CASE COMPLETE, PRE AIR CLEANER	1	
11	17475ZE3841	CAP, PRE AIR CLEANER	1	
12	17476ZE3841	GUIDE, PRE AIR CLEANER	1	
13	90009Z1C000	BOLT-WASHER 6X22	1	
14	90142MB0000	SCREW, PAN 5X16.5	5	
15	90325044000	NUT, TOOL BOX SETTING	2	
16	9405006000	FLANGE, NUT 6MM	2	

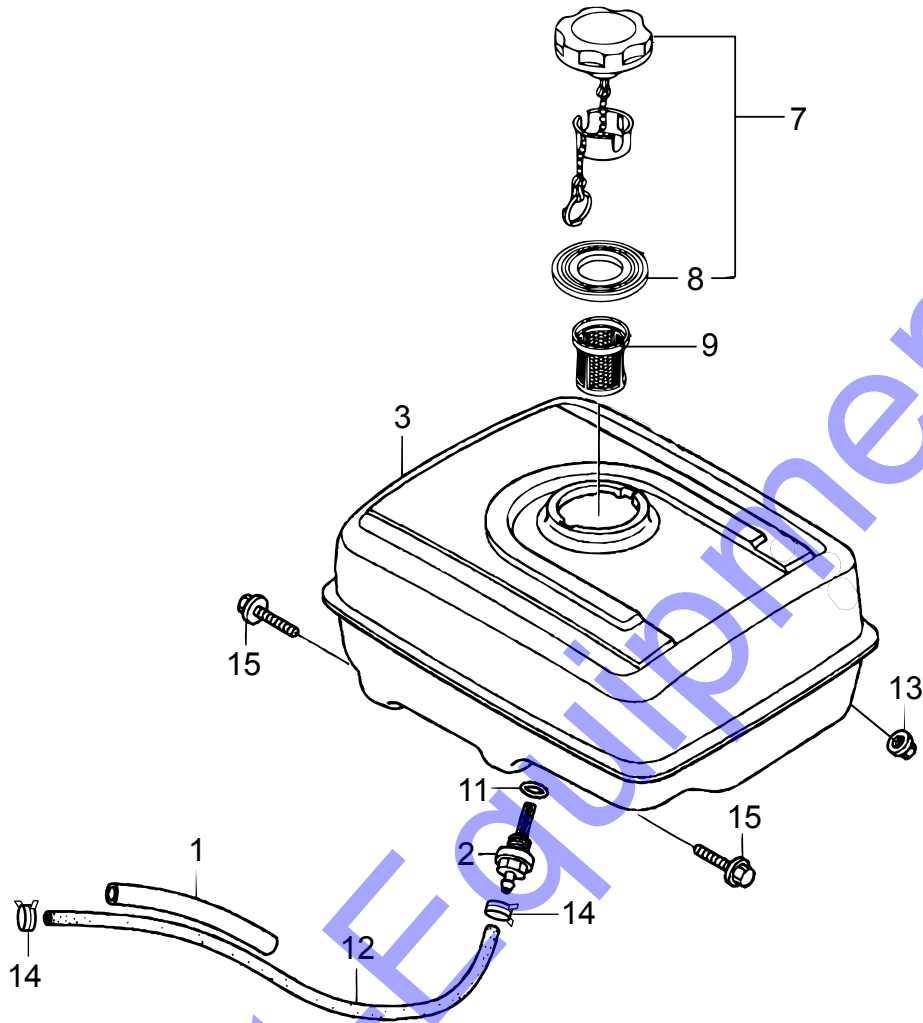
HONDA GX240UT2SMXC ENGINE — MUFFLER ASSY.



HONDA GX240UT2SMXC ENGINE — MUFFLER ASSY.

<u>NO.</u>	<u>PART NO.</u>	<u>PART NAME</u>	<u>QTY.</u>	<u>REMARKS</u>
1	18310Z5K010	MUFFLER COMP.	1	
2	18320Z5K000	PROTECTOR COMPLETE, MUFFLER	1	
3	18323ZE2W00	PROTECTOR, EXHAUST PIPE	1	
4	18331Z5T000	PIPE, EX	1	
5	18331ZE3811	CAP, MUFFLER	1	
6	18333Z1C801	GASKET, EX. PIPE	1	
7	18350Z5T800	ARRESTER COMPLETE, SPARK	1	
8	18381Z8S801	GASKET, MUFFLER (ARRESTER)	1	
9	90006ZE2000	TAPPING SCREW 6X10	1	
10	90013883000	FLANGE BOLT 6X12	1	
11	90050ZE1000	TAPPING SCREW 5X8	8	
12	90055ZE1000	TAPPING SCREW 4X6	3	
13	9405008000	FLANGE NUT M8	5	

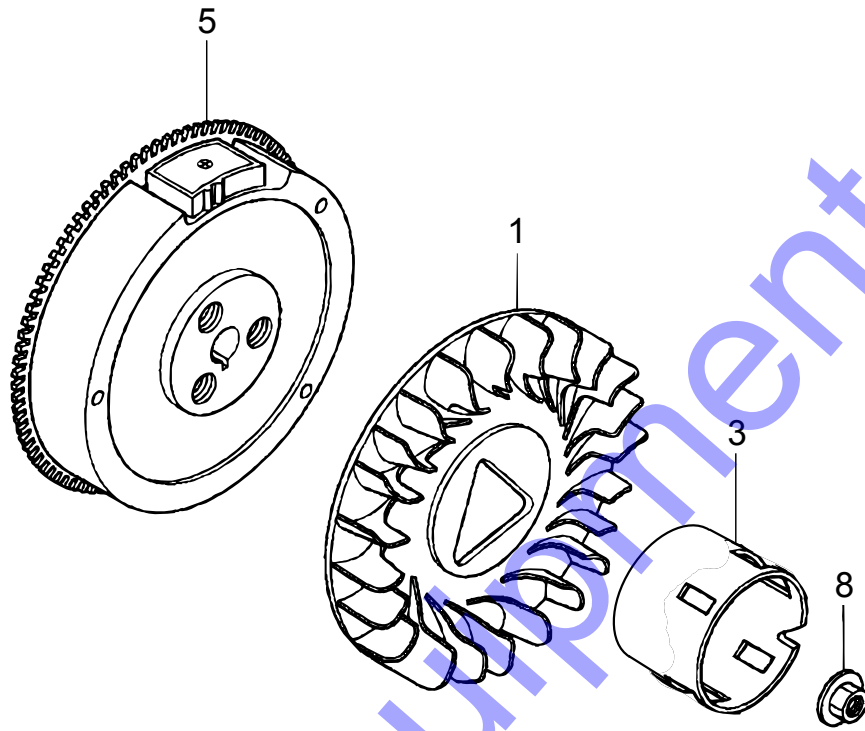
HONDA GX240UT2SMXC ENGINE — FUEL TANK ASSY.



HONDA GX240UT2SMXC ENGINE — FUEL TANK ASSY.

<u>NO.</u>	<u>PART NO.</u>	<u>PART NAME</u>	<u>QTY.</u>	<u>REMARKS</u>
1	16854ZH8000	RUBBER, SUPPORT (107MM)	1	
2	16955ZE1010	JOINT, FUEL TANK	1	
3	17510Z5K000ZA	TANK, COMPLETE FUEL	1	
7	17620Z4H900	FUEL TANK CAP COMPLETE.....	1.....	INCLUDES ITEM W/\$
8\$	17631Z0T801	PACKING, FUEL FILLER CAP	1	
9	17672Z4H000	FILTER, FUEL	1	
11	91353671003	O-RING 14MM.....	1.....	REPLACES P/N 91353671004
12	91424Z5K003	TUBE, FUEL 4.5X210	1	
13	9405008000	FLANGE NUT M8	2	
14	950024080008	CLAMP, TUBE	2	
15	957010802500	FLANGE BOLT 8X25	2	

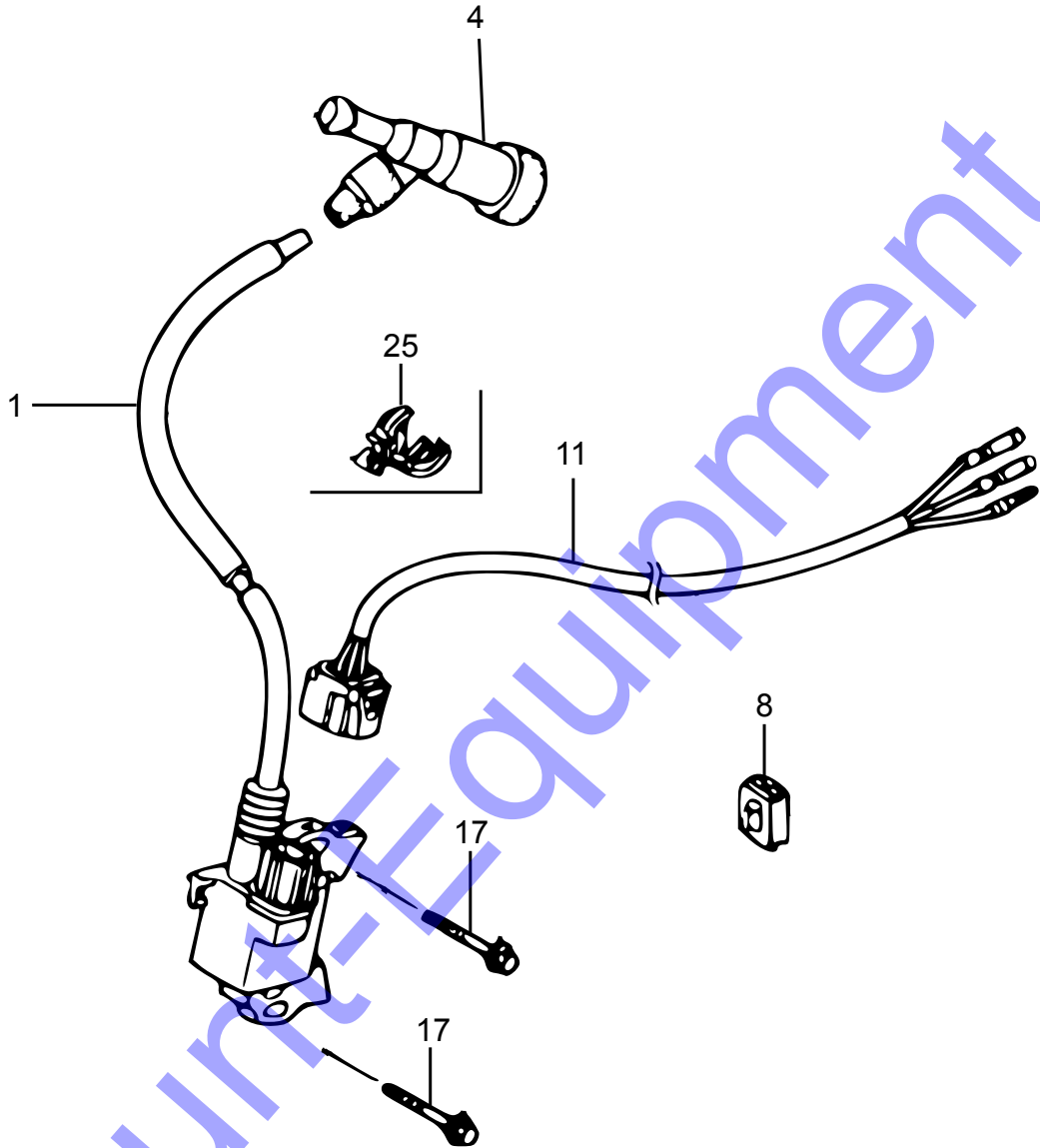
HONDA GX240UT2SMXC ENGINE — FLYWHEEL ASSY.



HONDA GX240UT2SMXC ENGINE — FLYWHEEL ASSY.

<u>NO.</u>	<u>PART NO.</u>	<u>PART NAME</u>	<u>QTY.</u>	<u>REMARKS</u>
1	19511ZE2000	FAN, COOLING	1	
3	28451ZE2W01	PULLEY, STARTER	1	
5	31110Z5K000	FLYWHEEL, COMPLETE	1	
8	90201ZE3V00	NUT, SPECIAL 16MM	1	

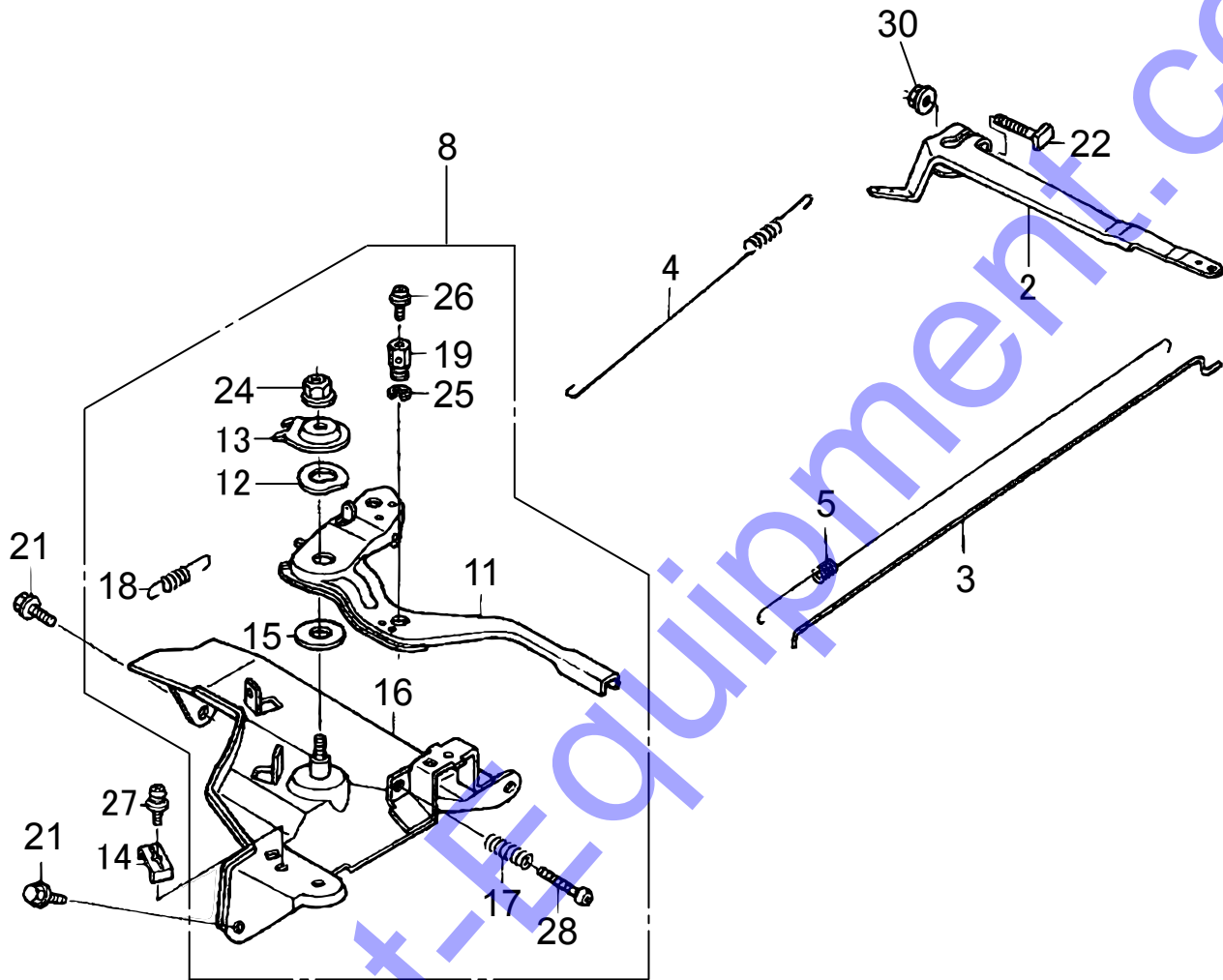
HONDA GX240UT2SMXC ENGINE — IGNITION COIL ASSY.



HONDA GX240UT2SMXC ENGINE — IGNITION COIL ASSY.

<u>NO.</u>	<u>PART NO.</u>	<u>PART NAME</u>	<u>QTY.</u>	<u>REMARKS</u>
1	30500Z8S003	COIL ASSY., IGNITION	1	
4	30700Z1C811	CAP ASSY., NOISE SUPPRESOR	1	
8	31512ZE2000	GROMMET, CORD	1	
11	32110Z5K000	HARNESS ASSY., E/G WIRE	1	
17	90015883000	FLANGE BOLT 6X28	2	
25	90684ZA0601	CLIP, HARNESS	1	

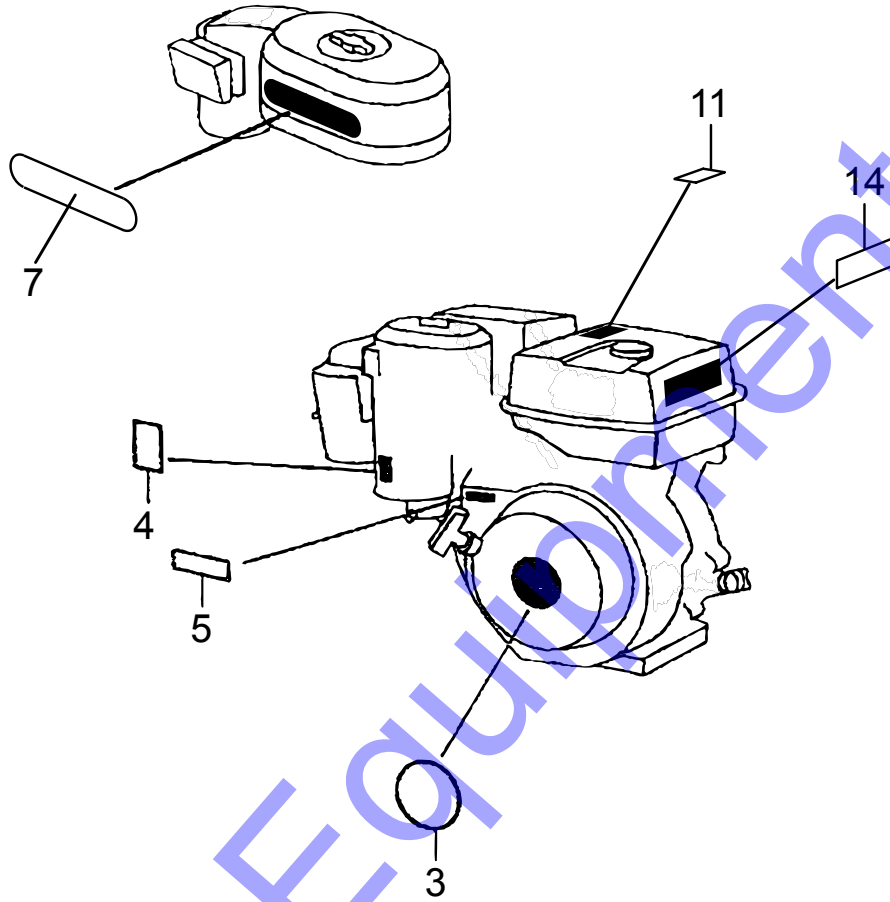
HONDA GX240UT2SMXC ENGINE — CONTROL ASSY.



HONDA GX240UT2SMXC ENGINE — CONTROL ASSY.

<u>NO.</u>	<u>PART NO.</u>	<u>PART NAME</u>	<u>QTY.</u>	<u>REMARKS</u>
2	16551ZE2000	ARM, GOVERNOR	1	
3	16555ZE2000	ROD, GOVERNOR	1	
4	16561ZE2000	SPRING, GOVERNOR	1	
5	16562ZE2000	SPRING, THROTTLE RETURN	1	
8	16500Z5K308	CONTROL ASSY. (REMOTE).....	1	INCLUDES ITEMS W/#
11#	16571ZE2W00	LEVER, CONTROL	1	
12#	16574ZE1000	LEVER SPRING	1	
13#	16575ZE2W00	WASHER, CONTROL LEVER	1	
14	16576891000	HOLDER, CABLE	1	
15#	16578ZE1000	SPACER, CONTROL LEVER	1	
16#	16580Z5K000	BASE COMP., CONTROL	1	
17#	16584883300	ADJUSTING SPRING	1	
18#	16592883310	SPRING, CABLE RETURN	1	
19#	16594883010	HOLDER, WIRE	1	
21	90013883000	FLANGE BOLT 6X12	2	
22	90015Z5T000	BOLT, GOVERNOR ARM	1	
24#	90114SA0000	LOCK NUT 6MM	1	
25#	90605230000	CIR CLIP	1	
26#	0043504060	SCREW 4X6	1	REPLACES P/N 93500040060H
27	0202005T125	SCREW 5X16	1	REPLACES P/N 93500050160A
28#	93500050280A	SCREW, PAN 5X28	1	
30	9405006000	FLANGE NUT 6MM	1	

HONDA GX240UT2SMXC ENGINE — LABELS ASSY.



HONDA GX240UT2SMXC ENGINE — LABELS ASSY.

<u>NO.</u>	<u>PART NO.</u>	<u>PART NAME</u>	<u>QTY.</u>	<u>REMARKS</u>
3	87521Z8S000	LABEL, EMBLEM	1	
4	87528Z5T000	MARK, CHOKE (GRAY)	1	
5	87532ZH7000	MARK, THROTTLE INDICATION	1	
7	87535ZE1841	MARK, AIR CLEANER	1	
11	87539Z0J000	MARK, EX. CAUTION (ENGLISH)	1	
14	87516Z4H010	MARK, OP-CAUTION (ENGLISH)	1	