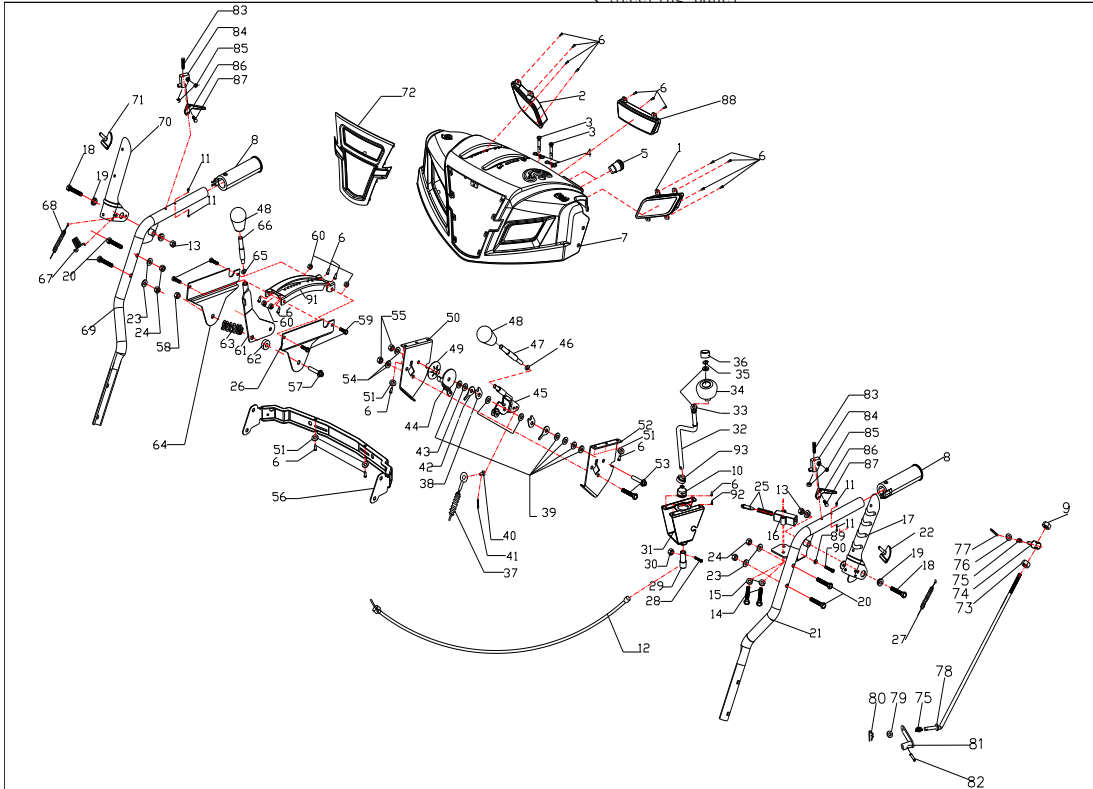


## 2015-1A/B panel assembly

一、Steering panel



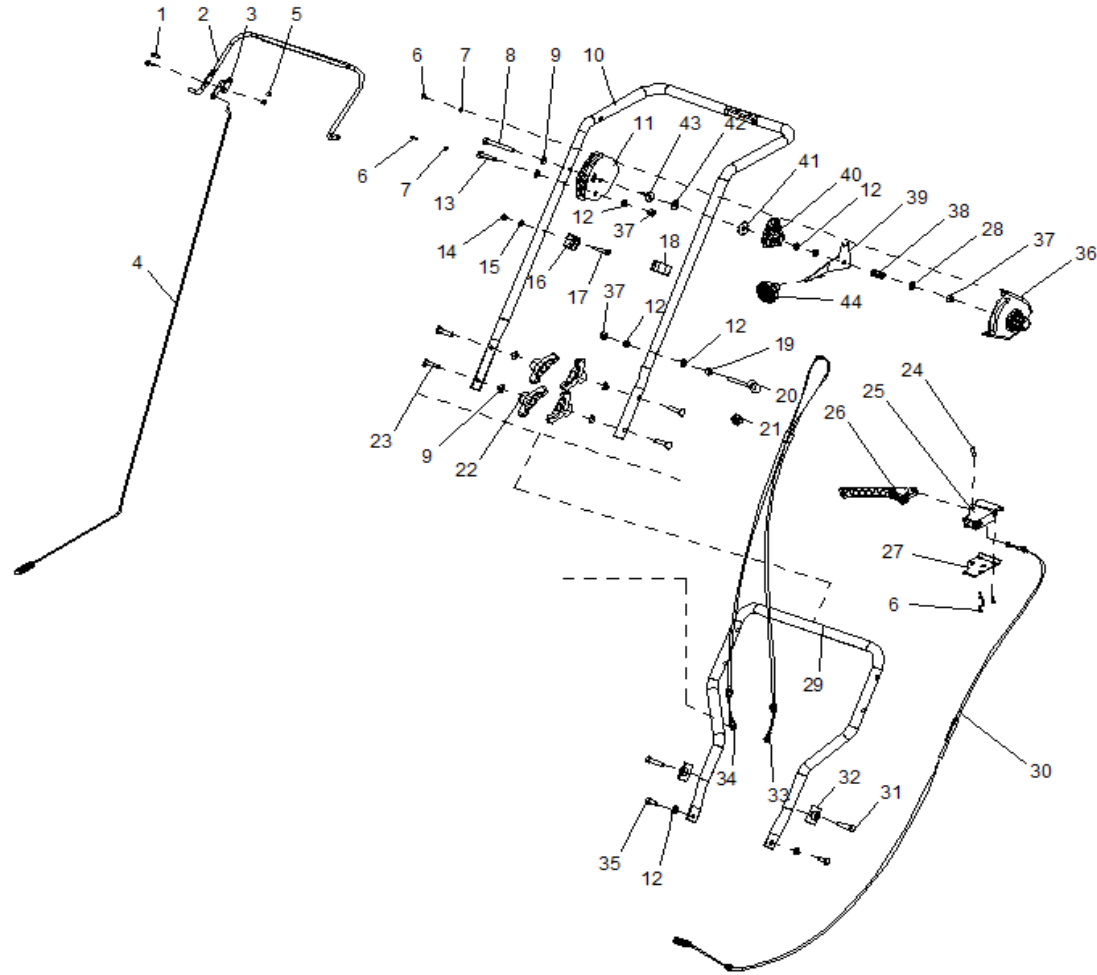
序号	级别	图号及代号	编码	English	数量	材料与规格
1	2		13.1.10.01.003	Left head lamp	1	组件 12V
2	2		13.1.10.01.004	Right head lamp	1	组件 12V
3	2	NJ-01	WCM00000S05018	shear pin	2	
4	2	NJ-02	WCY00000S05019	pin buckle	2	
5	2	SA-011-2015	13.1.10.04.002	Switch FT 22	2	12V16A.4针脚
6	2	SH-4.2*16	WBZSH04801200	recessed pan head tapping screw	26	STØ4.2*16
7	2		05.1.10.010	Panel	1	PP
8	2	SX-11-008	ZZSTPRS22037	warm handel sleeve	2	TPR
9	2	NHLN-8	WBZHL000008001	lock nut	1	M8
10	2	ZY-106	XQT000S48003	rubber sleeve 1	1	PU
11	2	BE-4*12	WBZMD00401200	rebite	4	Ø4*12
12	2	2015-011		flexible shaft	1	组件<外购>
13	2	NHLN-8	WBZHL000008001	lock nut	2	M8
14	2	HS-6*18	WBZHS006018001	bolt	2	M6*18
15	2	SW-6	WBZSW000006001	spring gasket	2	Ø6
16	2	2012-KEY-04	WFJ00000S26109	Self-locking mounting	1	粉末冶金
17	2	2011-SX-11-031-4	ZWX000S26053	left handle welding	1	A3
18	2	HS-8*55	WBZHS008055001	bolt	2	M8*55
19	2	SJ-046-1	WFJ00000S05074	Small tensioning pad	4	粉末冶金
20	2	HFB-8*40	WBZHF008040001	flange bolt	4	M8*45
21	2	NF-002-L-B	ZPS000S26056	handel upper tube weld	1	
	3	NF-002A(L)	ZJGS00026057WS	handel upper tube	1	
	3	2011-KEY-01	ZHJ000S26058WS	interlock plate welding assembly	1	
	3	2011-KEY-01-02	ZJG000S26059WS	left clutch fixed plate	1	
	3	2011-KEY-01-03	ZJG000S26060WS	Clutch mounting	1	
	3	SJ-236	ZJG000S16037WS	wire block	1	
22	2	SJ-047-1	ZZS0PUS05086	SJ rubber cap	2	PU
23	2	FB-8*16*1.2	WBZPD08161290	gasket	4	Ø8*Ø16*1.2
24	2	NHLN-8	WBZHL000008001	lock nut	4	M8
25	2	11-SX-11-36K	LKZ1450643001	interlock cable	1	
26	2	NF-001-4-01	WCY00000S26069	Gear rack (left)	1	A3

27	2	SX-11-036B-2	LKZ2051395001	Auger cable	1	
28	2	HS-4*20	WBZHS004020001	bolt	1	M4*20
29	2	2015-004		flexible shaft sleeve	1	45
30	2	NHLN-4	WBZHL000004001	lock nut	1	M4
31	2	2015-01		Rocker block assembly	1	
	3	2015-01-001		Rocker block	1	Q235冷压板
	3	2015-01-002		Rocker block 3	1	Q335冷压板
	3	2015-01-003		flexible shaft 2	1	A3
32	2	ZY-051	WCM00009S4802	Rocker	1	Q235
33	2	FB-10*20*1	WBZPD10201090	gasket	2	Ø10*Ø20*1
34	2	SL-8-11	ZZS0PPS38087	arge chute steering adjust han	1	PP
35	2		WBZZK00001000	external plier	1	0 (GB/T984、2-1986
36	2	SL-8-03	ZZS0PUS38086	arge chute steering handle ba	1	PU
37	2	SX-11-36E	LKZ1781460001	discharge chute wire	1	
38	2	SJ-215	ZWX000S16021	U shape fiche	2	
39	2	FB-8*22*2	WBZPD082220001	gasket	5	Ø8*22*2
40	2	SJ-233	WCM00000S16047	wire pin	1	A3
41	2	OSP-2.0*29	WBZKX02002900	Cotter pin 2	1	2.0*29
42	2	SJ-224	WCY00000S16022	Calabash card	2	
43	2	SA-008	WCY00000S16094	Curved elastic gasket	3	8
44	2	SJ-210-1	WCY00000S16040	the damping mounting p	1	45
45	2	SJ-209	WHJ00000S16017	Adjust rod welding assembly	1	A3
	3	SJ-209-1	WCY00000S16018	Adjust rod welding 1	1	A3
	3	SJ-209-2	WCY00000S16019	Adjust rod welding 2	1	A3
	3	SJ-209-3	WCM00000S16020	Adjust rod welding rod	1	A3
46	2	SW-8	WBZSW000008001	spring gasket	1	Ø8
47	2	2015-003		handel connecting 2	1	A3
48	2	STG8062Ae-26	ZZSPVCS18032	gear handel	2	PVC
49	2	SJ-223	ZWX000S16025	Bowl shrapnel	1	65Mn
50	2	NF-001-7-01	WCY00000S26075	ischarge chute wire fixed b	1	A3
51	2	FB-5*12*1.2	WBZPD051212001	gasket	8	Ø5*12*1.2
52	2	NF-001-7	WCY00000S26073	scharge chute wire fixed br	1	A3
53	2	HS-8*45	WBZHS008045001	bolt	2	M8*45
54	2	FB-8*16*1.2	WBZPD081612001	gasket	2	Ø8*16*1.2
55	2	NHLN-8	WBZHL000008001	lock nut	2	M8
56	2	NF-001-5	ZPS000S26081	Underside coaming	1	A3
57	2	HS-10*45	WBZHS010045001	bolt	1	M10*45
58	2	NHLN-10	WBZHL000010001	lock nut	1	M10
59	2	HS-6*12	WBZHS006012001	bolt	4	M6*12
60	2	NHLN-6	WBZHL000006001	lock nut	4	M6
61	2	NF-001-8	ZWX000S26077	gear plate welding set	1	Q235
	3	NF-001-8-1	WCY00000S26078	gear plate	1	Q235 184*92.5*15
	3	NF-001-8-2	WCM00000S26079	gear handel	1	Q235 M8*Ø16*28
62	2	FB-10*28*3	WBZPD102830001	gasket	1	Ø10*28*3
63	2	STG11 (13) 70 (10) AE-02-08	WTH00000S26083	handel adjust spring	1	
64	2	NF-001-4-02	WCY00000S26070	gear fixed bracket	1	A3
65	2	SW-8	WBZSW000008001	spring gasket	1	Ø8
66	2	2015-002		handle connecting 1	1	A3
67	2	NF-001-14-3	WTH00000S26082	clutch handle spring 3	1	65Mn
68	2	SJ-231	LKZ3101150001	walking wire	1	
69	2	NF-002-R-B	ZPS000S26061	handrail upper tube wel	1	
	3	NF-002A(R)	ZJG000S26062WS	handrail upper tube	1	
	3	2011-KEY-05	ZHJ000S26063WS	right clutch fixed plate welding comp.	1	
	3	2011-KEY-05-01	ZJG000S26064WS	right clutch fixed plate	1	
	3	2011-KEY-01-03	ZJG000S26060WS	clutch fixed sleeve	1	
	3	SJ-236	ZJG000S16037WS	wire fixed block	1	
70	2	2011-SX-11-031-2	ZWX000S26067	right handel	1	A3
71	2	SJ-047-1	ZZS0PUS05086	SJ rubber cap	1	PU

72	2		05.1.10.011	PPGO plastic plate(2015-1	1	PP
	2		05.1.10.012	PPGO plastic plate(2015-1	1	
73	2		WBZFN000008001	flange nut	1	M8
74	2	GPP6562C-01-07	WCM00000S05130	adjusting handel upper conn	1	Q235
75	2	GPP6562C-01-09	WTH00000S05131	adjustable speed adjusting sprin	2	65Mn
76	2		WBZPD082220001	gasket	1	A3 Ø8*22*2
77	2		WBZKK025035001	cotter pin	1	65Mn 2.5*25
78	2	NF-001-18	WCM00000S26084	gear connecting rod	1	
79	2		WBZPD081612001	gasket	1	A3 Ø8*16*1.2
80	2	NJ-02	WTH00000S05019	pin buckle	1	A3
81	2	STG11(13)70(10)AE-02-02-03	WHJ00000S26023	fork arm	1	Q235
	3	STG11(13)70(10)AE-02-02-03-	WCY00000S26024	fork arm plate	1	
	3	STG11(13)70(10)AE-02-02-03-	WCM00000S26025	fork arm sleeve	1	
82	2		WBZJX006030001	Cotter pin	1	65Mn Ø6*30
83	2	HS-5*35	WBZHS005035001	bolt	2	M5*35
84	2	SX-11-029	ZZS0PPS22061	handel seat	2	PP黑色
85	2	NHLN-5	WBZHL000005001	lock nut	4	
86	2	SX-11-028	ZZS0PPS22062	handel	2	PP黑色
87	2	SX-11-027	WCM00000S22063	slotted small plate head	2	
88	2		13.1.10.01.005	Head lamp	1	组件 12V
89	2	SW-5	WBZSW000005001	spring gasket	1	Ø6
90	2	HS-6*16	WBZHS005016001	bolt	1	M6*16
91	2	2015-001		hang seat	1	Q235-A
92	2	SH-4.2*12	WBZSH04801200	recessed pan head tapping s	1	
93	2	STG8027BS-035		Rocker damping sleeve	1	

# GST55 spare parts list

## Handle and control assembly



No	Code No	English name	Qty
1	WBZSH005016001	The cup head screws	2
2	PG-024	clutch handle	1

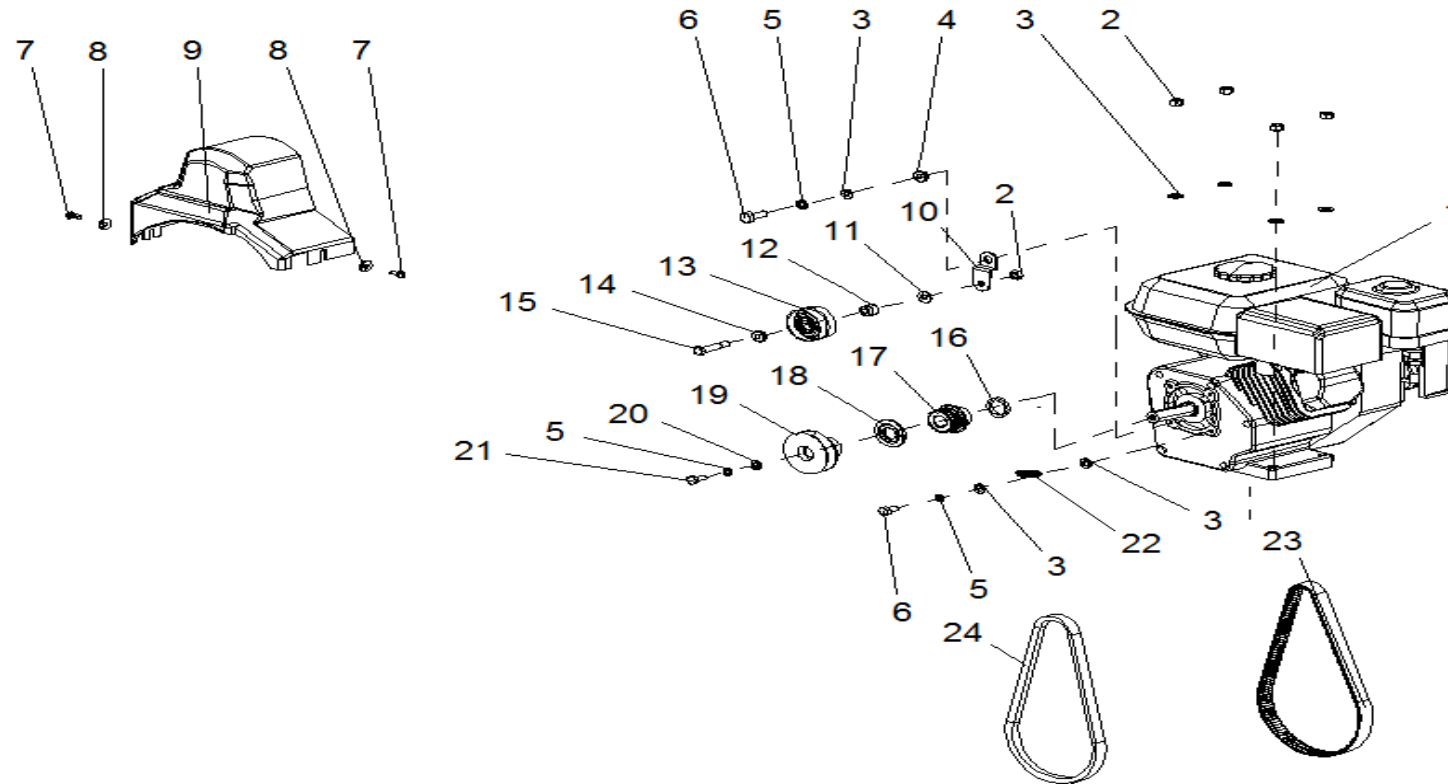
No	Code No	English name	Qty
3	PG-056	auger wire block	1
4	ZZZS53028	driving wire assemble	1
5	WBZHL000005001	lock nut	2
6	WBZZG040018001	Cross pan head self tapping screw	6
7	WBZPD041008001	flat mat	2
8	WBZHS008080001	Hexagon screw	1
9	WBZYP000008001	Leaf shape gasket	6
10	PG-073HJ	Up Handrail welding assemble	1
无	PG-053	Up Handrail	1
无	PG-072	Clutch limited board	1
11	PG-021	Gear Shift plate	1
12	SB-025	flat mat	7
13	WBZHS008035001	Hexagon screw	1
14	SB-138	lock nut	1
15	WBZPD061207001	flat mat M6	1
16	PG-030	Wire fixed block	1
17	WBZHS006040001	Hexagon screw	1
18	SSG5580A.23-01	cable clamp 28	1
19	SB-007	Hexagon nut	1
20	SJ-044B	SJ switch rod	1
21	SJ-044C	SJ switch rod rubber ring	1

No	Code No	English name	Qty
22	ZY-050	rotary knob	4
23	WBZSL008040001	Leaf blade bolt	4
24	TIG5050D-03-16	handle locking pin	1
25	PG-032	clutch handle fixed base	1
26	PG-068	Auger clutch handle	1
27	PG-023	Clutch handle fixed plate	1
28	SB-025	flat mat	7
29	PG-057	Bottom Handrail	1
30	PG-064	Auger wire	1
31	WBZHS008040001	Hexagon screw	2
32	SJ-028	SJ handrail bar gasket	2
33	PG-063	Forward wire	1
34	PG-062	Reverse Wire	1
35	WBZHS008020001	Hexagon screw	2
36	PG-067	Forward gear shift shell	1
37	WBZHL000008001	Lock nut	3
38	STG11(13)70(10)AE-02-02-08	handle regulating spring	1
39	PG-022	Gear Shift plate 2	1
40	PG-066	Driving fixed seat	1
41	PG-009	Wiring seat cushion	1
42	SA-008	Saddle elastic gasket	1

No	Code No	English name	Qty
43	SJ-224	The gourd shaped gasket	1
44	PG-033	Gear shift lever ball	1

# GST55 spare parts list

## Engine assembly

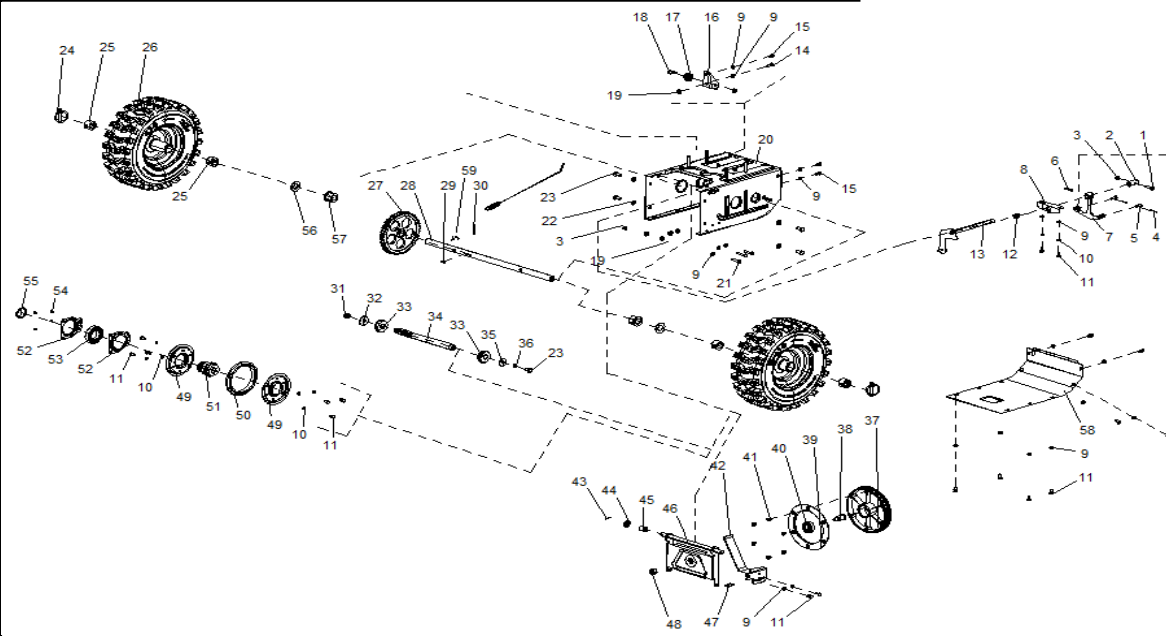


No.	Code No	English name	Qty
1	LCG160F	Engine	1
2	WBZHL000008001	Lock nut	5
3	SB-025	Flat gasket	7
4	SJ-046-1	tighten plate convex pad	1
5	WBZSW000008001	spring gasket	3
6	SB-075	Hexagon screw	2
7	WBZHS006012001	Hexagon screw	2
8	FB-6*18*1.5	Flat gasket	2
9	PG-027	Belt cover	1
10	SJ-08-0722-02(SJ-045-1)	Small tensioning plate	1
11	WBZPD082220001	Flat gasket	1



7	WBZHS006012001	Hexagon screw	2
12	SX-11-170B	Small tensioning plate pad	1
13	SX-11-170-2	Small tensioning wheel	1
14	SJ-008C	gasket	1
15	WBZHS008040001	Hexagon screw	3
16	WBZPD202515001	Flat gasket	1
17	SJ-049	The main synchronous wheel	1
18	SJ-049-1	The small pulley washer	1
19	PG-055	SJ main pulley	1
20	SB-048	Flat gasket	1
21	SB-049	Hexagon screw	1
22	SJ-035-1	SJ Spring 3	1
23	SB-051	Synchronous belt	1
24	XPD4L073001	V-type belt	1

# Transmission case assembly



No.	Code No.	English name	Qty
1	SB-141	Hexagon bolt	1
2	SJ-214	gear shift fixed sleeve	1
3	SB-138	Lock nut	2
4	SB-130	cotter pin	2
5	SJ-233	Wire pin	2
6	SB-142	elastic cylindrical pin	1
7	SJ-211	Shift frame welding Comp.	1
8	SJ-002	SJ Right Angle iron rod	1
9	WBZPD061207001	M6 Flat gasket	19
10	SB-097	spring gasket	8
11	SB-068	Hexagon screw	20
12	GPP6562C-01-10	Speed control clearance adjusting spri SJ shifting fork	1
13	SJ-040-1		1

## SJ shifting fork

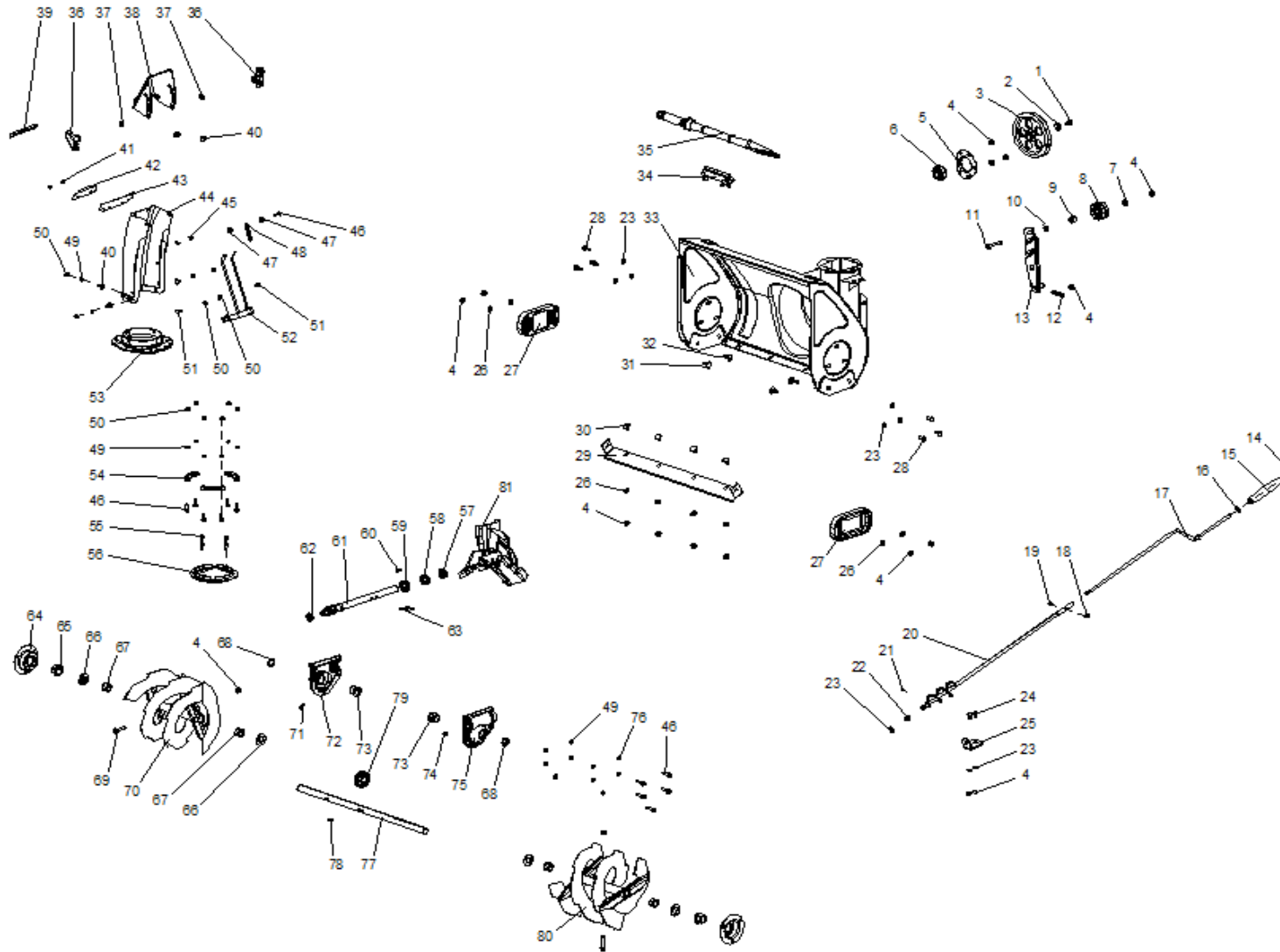
13	SJ-040-1		1
14	SB-096	Hexagon screw	1
15	WBZHS006012001	Hexagon screw	3
16	SJ-016A		1
17	SJ-016B	SJ wire pulley	1
18	SJ-052	SJ Hexagon screw 3	1
19	WBZFN000006001	Flange nut	6
20	PG-025	Transmission case shell	1
21	SB-034	Hexagon screw	3
22	SB-025	Flat gasket	4
23	SB-075	Hexagon screw	5
24	WZZS05098	SJ spring pin component	2
25	SJ-119-A	Wheel shaft sleeve 1	4
26	ZZZS53064	wheel (tire + hub)	2
27	PG-048	big gear wheel	1
28	PG-041	driving wheel axle	1
29	SB-018	woodruff key	1
30	SB-019	elastic cylindrical pin	1
31	SB-060	Lock nut	1
32	SB-059	Flat gasket	1
33	SB-054	locking slot deep groove ball bearings	2
34	PG-045	Hexagon variable-speed shaft	1
35	SB-053	Flat gasket	1
36	WBZSW000008001	spring gasket	1
37	SJ-010A	Transmission synchronous wheel	1
38	SJ-010B	SJ belt driving wheel axle	1
39	SJ-010A-1	Transmission synchronous wheel cover	1
40	WBZZC006203001	deep groove ball bearing	1
41	WBZCH006010001	cross recessed countersunk head scre	6
42	SJ-015-2012	belt clamp	1
43	SB-063	cotter pin	1
44	SB-065	Flat gasket	1
45	SJ-107	SJ sleeve	1

## SJ shifting fork

13	SJ-040-1		1
46	SJ-007	SJ pulley support	1
47	PG-069	Pulley support tension spring	1
48	SB-064	Lock nut	1
49	SJ-013A	SJ change wheel washer	2
50	SJ-013D	SJ flywheel rubber ring	1
51	SJ-013C-XS	change pulley	1
52	SJ-013B	SJ variable-speed shaft cover	2
53	WBZZC006007001	deep groove ball bearing	1
54	WBZMD035006002	aluminium rivet shaft jump ring	4
55	SB-057		1
56	SB-093	Flat gasket	2
57	SJ-026	SJ end cap sleeve	2
58	PG-020	back shroud cover	1
59		shaft jump ring	1

# GST55 spare parts list

## Auger Housing assembly



No.	Code No.	English name	Qty		
1	SB-075	hexagonal screw	1		
2	SB-076	flat gasket	1		
3	PG-054	large belt pulley	1		
4	WBZHL000008001	lock nut	16		

No.	Code No.	English name	Qty		
5	SJ-004	round bottom cover	1		
6	PG-060	bearing	1		
7	SJ-008C	gasket	1		
8	SX-11-170-2	small tensioning wheel	1		
无	WBZZC005202001	Bearing 5202	1		
9	SJ-008B	SJ sleeve	1		
10	WBZPD102020001	flat gasket	1		
11	WBZHS008045001	hexagonal screw	1		
12	PG-071	large tensioning plate spring	1		
13	PG-070HJ	large tensioning plate weld assy	1		
无	PG-016	big tension plate	1		
无	PG-049	Break bar	1		
14	HFB-6*12	flange face hexagonal bolt	1		
15	SJ-018	SJ sleeve	1		
16	FB-6*18*1.5	flat gasket	1		
17	PG-065	rocker	1		
18	B-4008	cross head screw	1		
19	WBZHL000005001	lock nut	1		
20	XA-04-102	rocker A	1		
无	FB-10.5*19*3	gasket	1		
无	XA-04-102A	rocker A	1		
无	XA-04-102B	adapter sleeve	1		
无	XA-04-102C	Rocker screw	1		
21	SB-080	cotter pin	1		
22	SJ-011A	SJ mounting plate plastic ring	1		
23	SB-025	flat gasket	7		
24	SB-081	half round screw	2		
25	SJ-011XS	small mounting plate	1		
26	SB-088	flat gasket	8		
27	PG-028	skid	2		
28	SB-095	hexagonal screw	6		
29	PG-019	long baffle plate	1		
30	SB-110	half round screw	4		
31	WBZCB008020001	half round screw	2		
32	WBZCB008025001	half round screw	2		
33	PG-040HJ	box weld assy.	1		
34	SJ-151	shovel bracket	1		
35	SJ-150	plastic shovel	1		

No.	Code No.	English name	Qty		
36	SZSS46109	rotary button	2		
37	SJ-200-8	chute nylon washer	2		
38	PG-059	chute cap	1		
39	SJ-200-10	connecting rod	1		
40	WBZCB006016001	half round screw	5		
41	WBZHL000005001	lock nut	2		
42	SJ-200-5	up hinge	1		
无	SJ-200-5-1	Auger Housing assembly	1		
无	SJ-200-5-2	up hinge sleeve	1		
43	SX-11-400	chute rubber washer	1		
44	PG-058	down chute	1		
45	WBZCH005012001	cross head screw	2		
46	SB-096	hexagonal screw	12		
47	WBZFN000006001	flange face bolt	2		
48	SJ-036	SJ spring 4	1		
49	WBZPD061207001	M6 flat gasket	36		
50	SB-138	lock nut	11		
51	SB-108	hexagonal screw	2		
52	XA-04-48	bending rod set	1		
无	XA-04-48A	bending rod	1		
无	XA-04-48B	around small rod	2		
53	PG-006	chute base	1		
54	S00PPS53058	chute washer	3		
55	WBZSH006016001	cross head screw	4		
56	PG-005	chute base plastic ring	1		
57	SB-102	oil seal	1		
58	SB-100	deep groove ball bearing	1		
59	SB-101	bearing	1		
60	SB-078	C square key	1		
61	PG-001	transmission worm wheel shaft	1		
62	WBZZC006901001	deep groove ball bearing	1		
63	SB-103	Coiling spring pin	2		
64	SJ-024	SJ bearing cover	2		
65	SJ-020	SJ shaft sleeve	2		
66	SB-093	flat gasket	2		
67	SJ-019	SJ drive shaft sleeve	4		
68	SB-165	oil seal	2		
69	SJ-070	old safety bolt	2		

No.	Code No.	English name	Qty		
70	PG-015HJ	right auger weld assy	1		
71	WBZSH006010001	cross head screw	1		
72	PG-004	worm wheel box A	1		
73	SJ-108-1	SJ out-put shaft	2		
74	WCMS53053	lubricating nipple	1		
75	PG-007	worm wheel box B	1		
76	SB-097	spring washer	5		
77	PG-003	out-put shaft	1		
78	SB-018	half round key	1		
79	PG-002	worm wheel	1		
80	PG-039HJ	left auger weld assy	1		
81	PG-034HJ	fan	1		