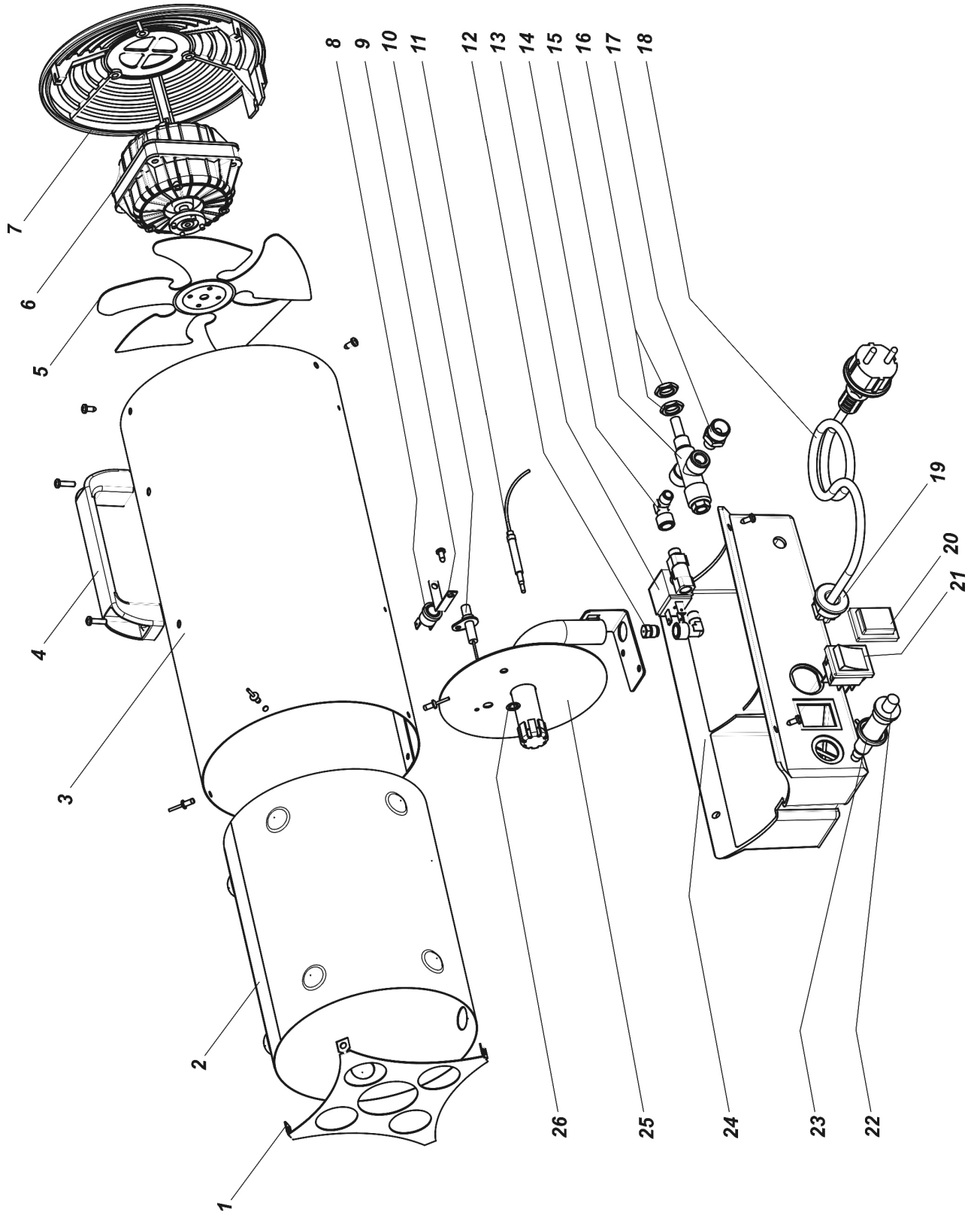
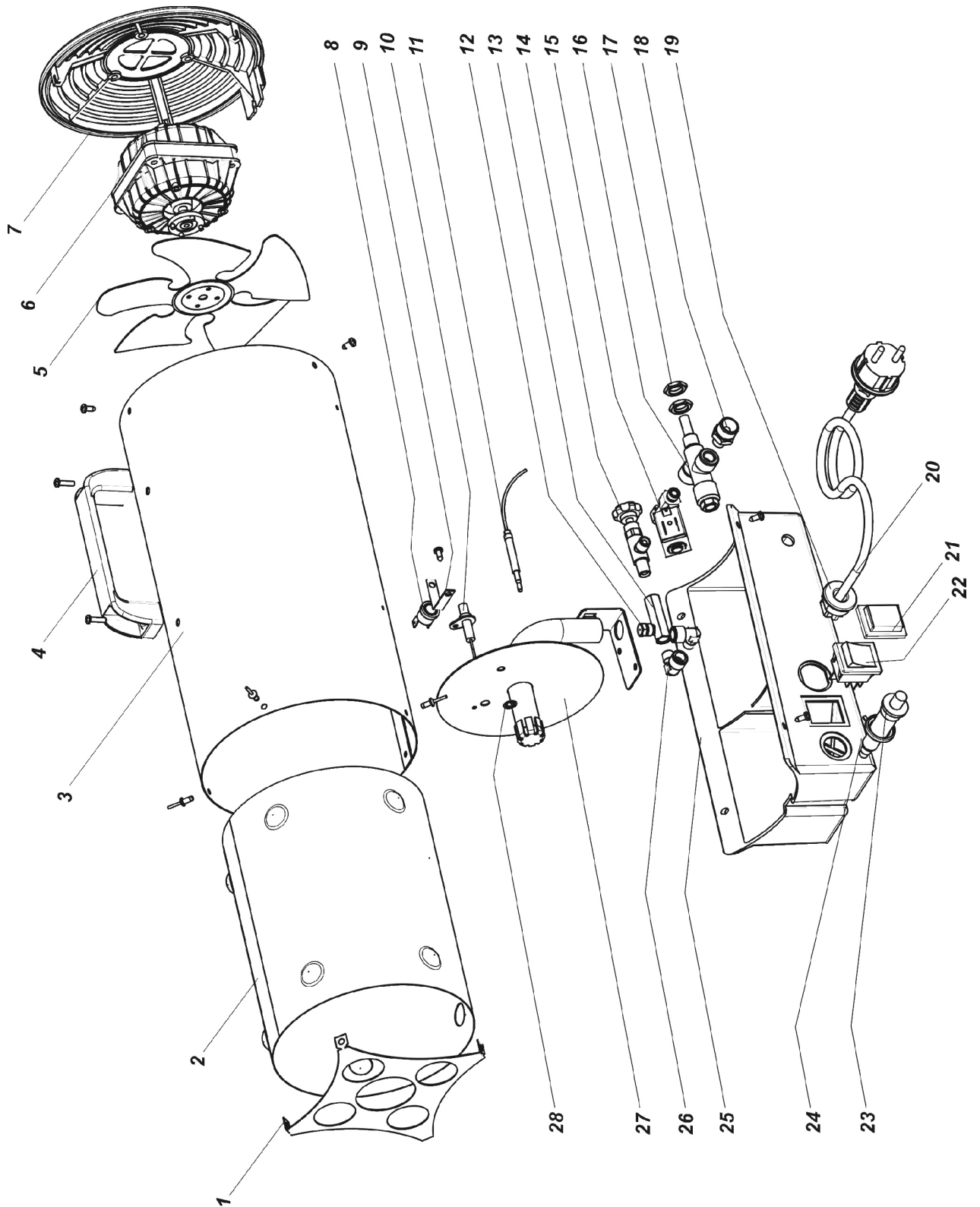


MODEL REM 10 M ILLUSTRATED PARTS BREAKDOWN



Spareparts REMINGTON REM 10 M

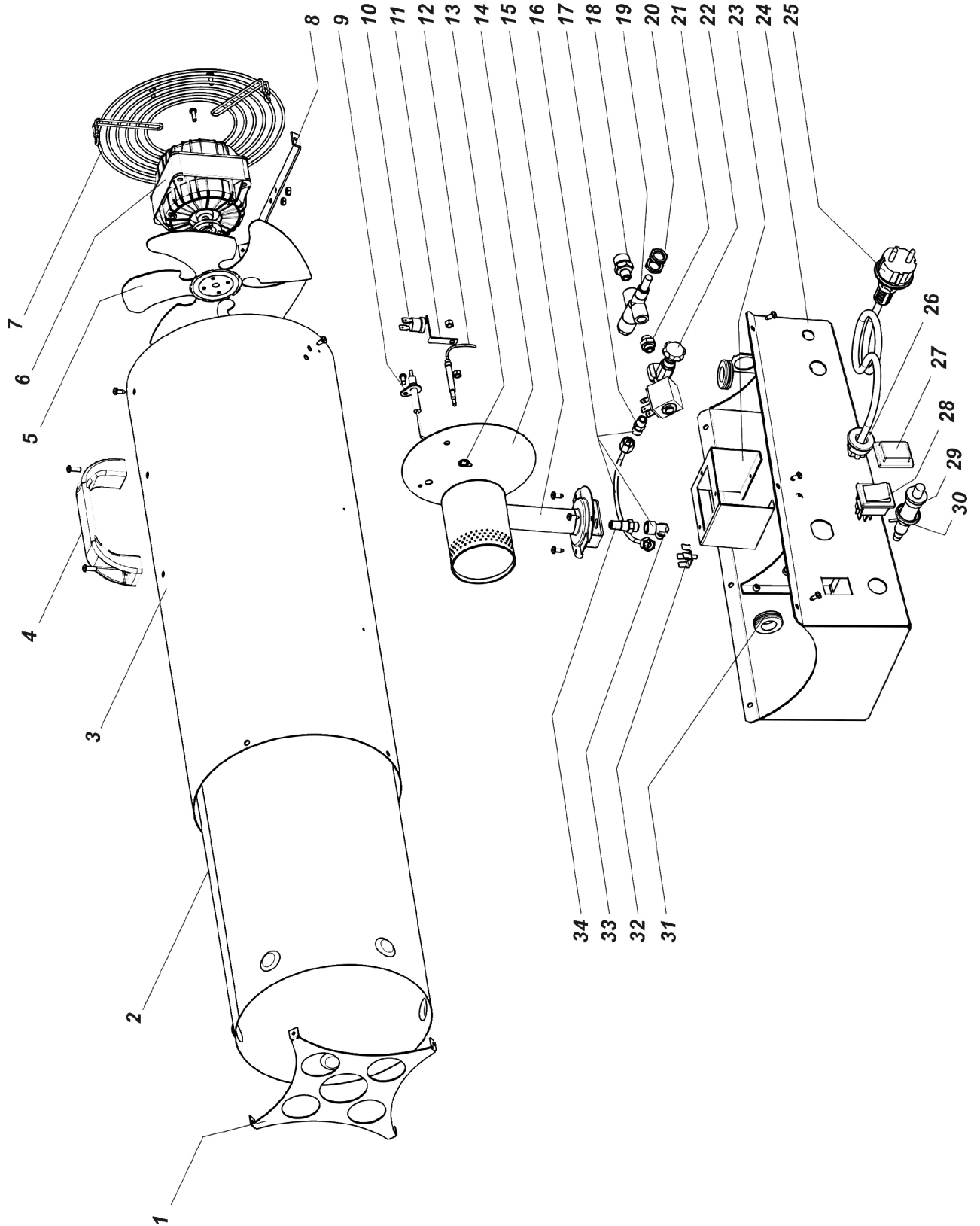
Pos.	Code NR	Description
1	4160.714	OUTLET GRID
2	4161.336	COMBUSTION CHAMBER
3	4160.918	YELLOW COVER RAL 1006
4	4160.715	PLASTIC HANDLE
5	4160.689	FAN Ø172 19°
6	4160.628	ELECTRIC MOTOR 29 W 230/50-60HZ IP44
7	4160.713	PLASTIC GRID
8	4160.636	SAFETY THERMOSTAT
9	4160.708	SUPPORT FOR THERMOSTAT
10	4160.707	IGNITION ELETTRICAL FOLDER
11	4160.654	INTERRUPTED THERMOCOUPLE
12	4160.746	GAS NOZZLE
13	4160.655	ELECTRO VALVE
14	4160.620	90° DEGREE ELBOW 1/8°
15	4160.653	SAFETY GAS VALVE
16	4160.701	RING NUT M12X0,75
17	4160.700	GAS INLET 3/8 M - 1/8 M
18	4160.733	ELECTRIC CABLE
19	4160.635	KEEPER WIRE DEVICE
20	4160.638	COVER SWITCH
21	4160.637	SWITCH
22	4160.641	PIEZO IGNITOR
23	4160.640	ADAPTER FOR PIEZO IGNITOR
24	4160.699	PLASTIC BASE
25	4160.702	GAS BURNER
26	4160.627	ELASTIC WASHER



REMINGTON REM 15 M

Pos.	Code NR	Description
1	4160.714	OUTLET GRID
2	4161.372	COMBUSTION CHAMBER
3	4160.921	YELLOW COVER RAL 1006
4	4160.715	PLASTIC HANDLE
5	4160.689	FAN Ø172 19°
6	4160.628	ELECTRIC MOTOR 29 W 230/50-60HZ IP44
7	4160.713	PLASTIC GRID
8	4160.636	SAFETY THERMOSTAT 90°
9	4160.708	SUPPORT FOR THERMOSTAT
10	4160.707	IGNITION ELETTRICAL FOLDER
11	4160.654	INTERRUPTED THERMOCOUPLE
12	4160.746	GAS NOZZLE
13	4160.742	EXTENSION
14	4160.675	COCK
15	4160.655	ELECTRO VALVE
16	4160.653	SAFETY GAS VALVE
17	4160.701	RING NUT M12X0,75ER
18	4160.700	GAS INLET NOZZLE 3/8 M - 1/8 M
19	4160.635	KEEPER WIRE DEVICE
20	4160.733	ELECTRIC CABLE
21	4160.638	COVER SWITCH
22	4160.637	SWITCH
23	4160.641	PIEZO IGNITOR
24	4160.640	ADAPTER FOR PIEZO IGNITOR
25	4160.760	PLASTIC BASE
26	4160.620	90° DEGREE ELBOW 1/8"
27	4160.702	GAS BURNER
28	4160.627	ELASTIC WASHER

MODEL REM30 M METAL BASE ILLUSTRATED PARTS BREAKDOWN

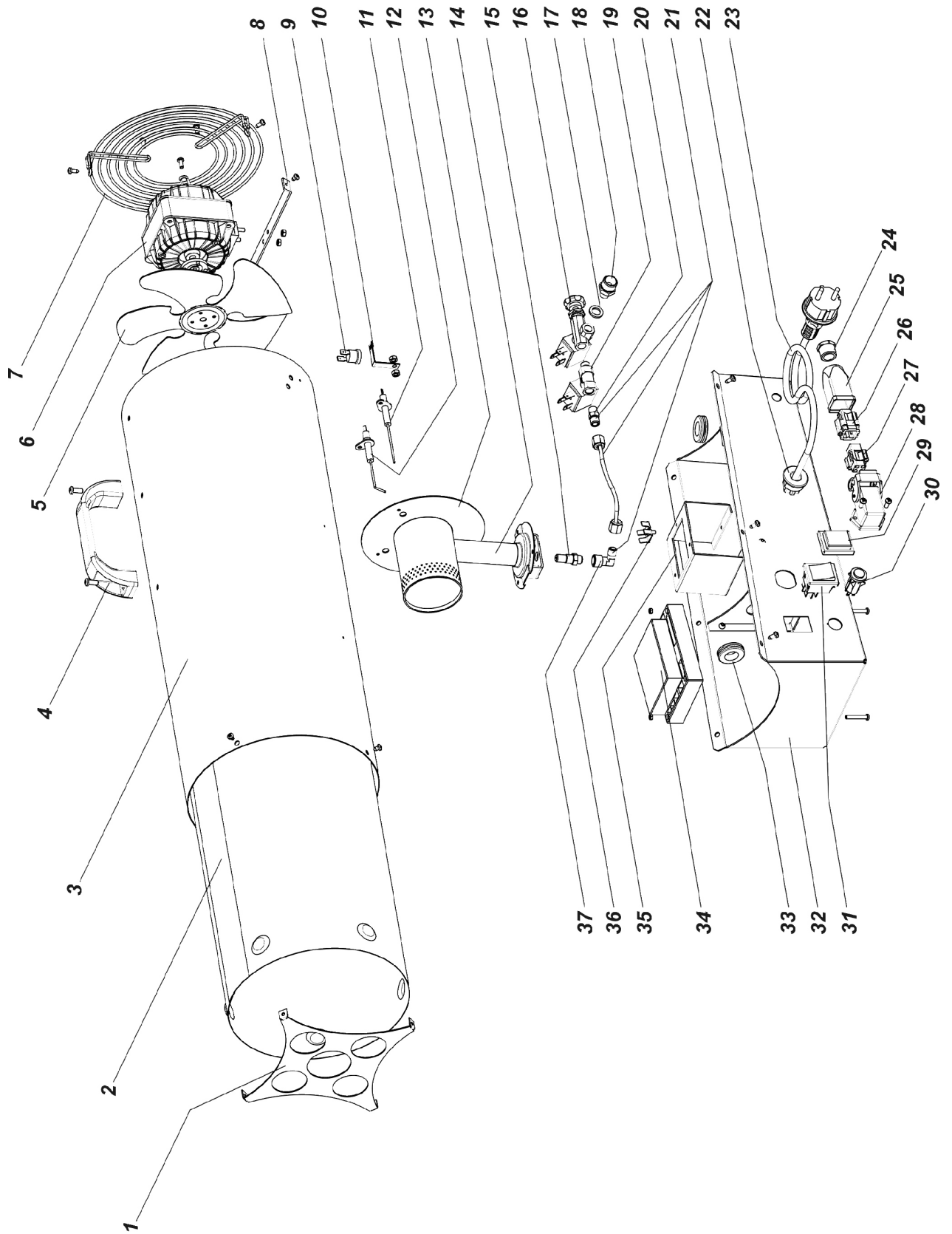


Cod. 4160.796

REM 30 M METAL BASE

Pos.	Code NR	Description
1	4160.764	OUTLET GRID
2	4161.373	COMBUSTION CHAMBER
3	4161.027	YELLOW COVER RAL 1006
4	4160.715	PLASTIC HANDLE
5	4160.690	FAN Ø200 19°
6	4160.629	ELECTRIC MOTOR 80 W 230-240/50HZ IP44
7	4160.784	INLET
8	4161.010	SUPPORT ELECTRIC MOTOR
9	4160.731	IGNITION ELETTRICAL FOLDER
10	4160.636	SAFETY THERMOSTAT 90°
11	4160.708	SUPPORT FOR THERMOSTAT
12	4160.654	INTERRUPTED THERMOCOUPLE
13	4160.627	ELASTIC WASHER
14	4160.726	PLATE BURNER
15	4160.687	GAS BURNER
16	4160.724	COPPER EXTENDIN
17	4160.623	NOZZLE 1/8"
18	4160.700	GAS INLET NOZZLE 3/8 M - 1/8 M
19	4160.653	SAFETY GAS VALVE
20	4160.701	RING NUT M12X0,75
21	4160.968	NOZZLE 1/8"
22	4160.660	GAS COCK WITH ELECTRO-VALVE
23	4160.782	SUPPORT BURNER
24	4160.778	BASE
25	4160.733	ELECTRIC CABLE
26	4160.635	KEEPER WIRE DEVICE
27	4160.638	COVER SWITCH
28	4160.637	SWITCH
29	4160.641	PIEZO IGNITOR
30	4160.640	ADAPTER FOR PIEZO IGNITOR
31	4160.646	GROMMET 16-30-22
32	4160.639	RIVET POP
33	4160.621	OGIVA 90°
34	4160.722	GAS NOZZLE Ø1,15

REM 30 E METAL BASE ILLUSTRATED PARTS BREAKDOWN

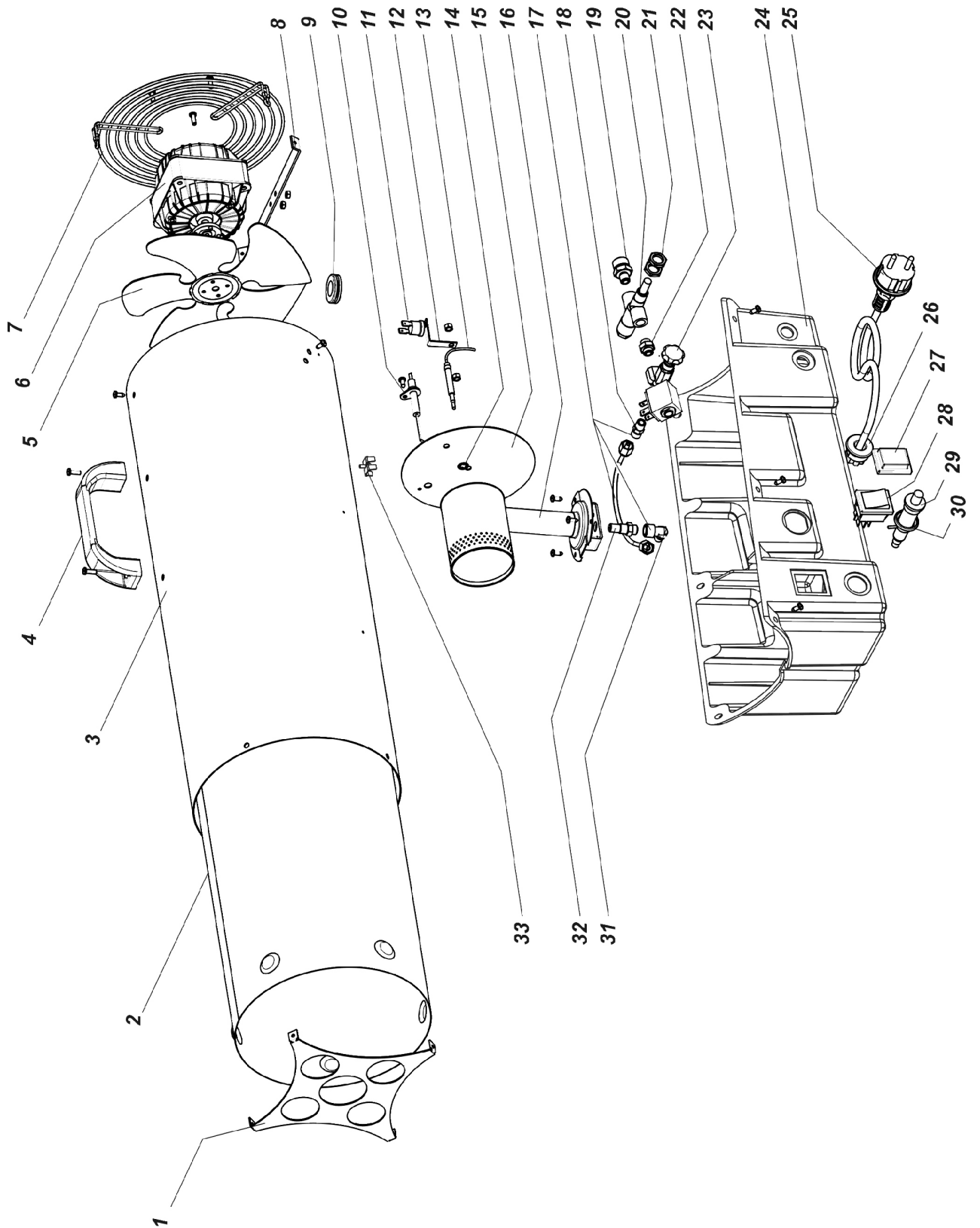


Cod. 4161.134

REMINGTON REM 30 E METAL BASE

Pos.	Code NR	Description
1	4160.764	OUTLET
2	4161.373	COMBUSTION
3	4161.027	YELLOW COVER RAL 1006
4	4160.715	PLASTIC HANDLE
5	4160.690	FAN Ø200 19°
6	4160.629	ELECTRIC MOTOR 80 W 230-240/50HZ IP44
7	4160.784	INLET GRID
8	4161.010	SUPPORT ELECTRIC MOTOR
9	4160.636	SAFETY THERMOSTAT
10	4160.708	SUPPORT FOR THERMOSTAT
11	4160.632	FLAME PROBE
12	4161.248	IGNITION ELETTRICAL FOLDER
13	4160.752	PLATE BURNER
14	4160.687	GAS BURNER
15	4160.722	GAS NOZZLE Ø1,15
16	4160.660	GAS COCK WITH ELECTRO-VALVE
17	4160.614	PLAIN WASHER M10
18	4160.700	GAS INLET NOZZLE 3/8 M - 1/8 M
19	4160.655	ELECTROVALVE
20	4160.623	NOZZLE 1/8"
21	4160.724	COPPER EXTENDIN VALVOLE-NOZZLE
22	4160.635	KEEPER WIRE DEVICE PA 107
23	4160.733	ELECTRIC CABLE
24	4160.651	KEEPER WIRE DEVICE
25	4160.648	COMPLETE PLUG IN
26	4160.650	CONNEXION PLUG 5 PIN
26	4161.401	CONNEXION PLUG 4 PIN
27	4160.649	CONNEXION SOCKET 5 PIN
27	4161.400	CONNEXION SOCKET 4 PIN
28	4160.647	ANGULAR FIX CASE
29	4160.638	COVER SWITCH
30	4161.058	LIGHT SWITCH
31	4161.057	SWITCH
32	4161.075	BASE
33	4160.646	GROMMET 16-30-22
34	4161.004	ELECTRONIC PC BOARD FOR GAS
35	4160.782	SUPPORT BURNER
36	4160.639	RIVET POP
37	4160.621	90° DEGREE ELBOW 1/8"

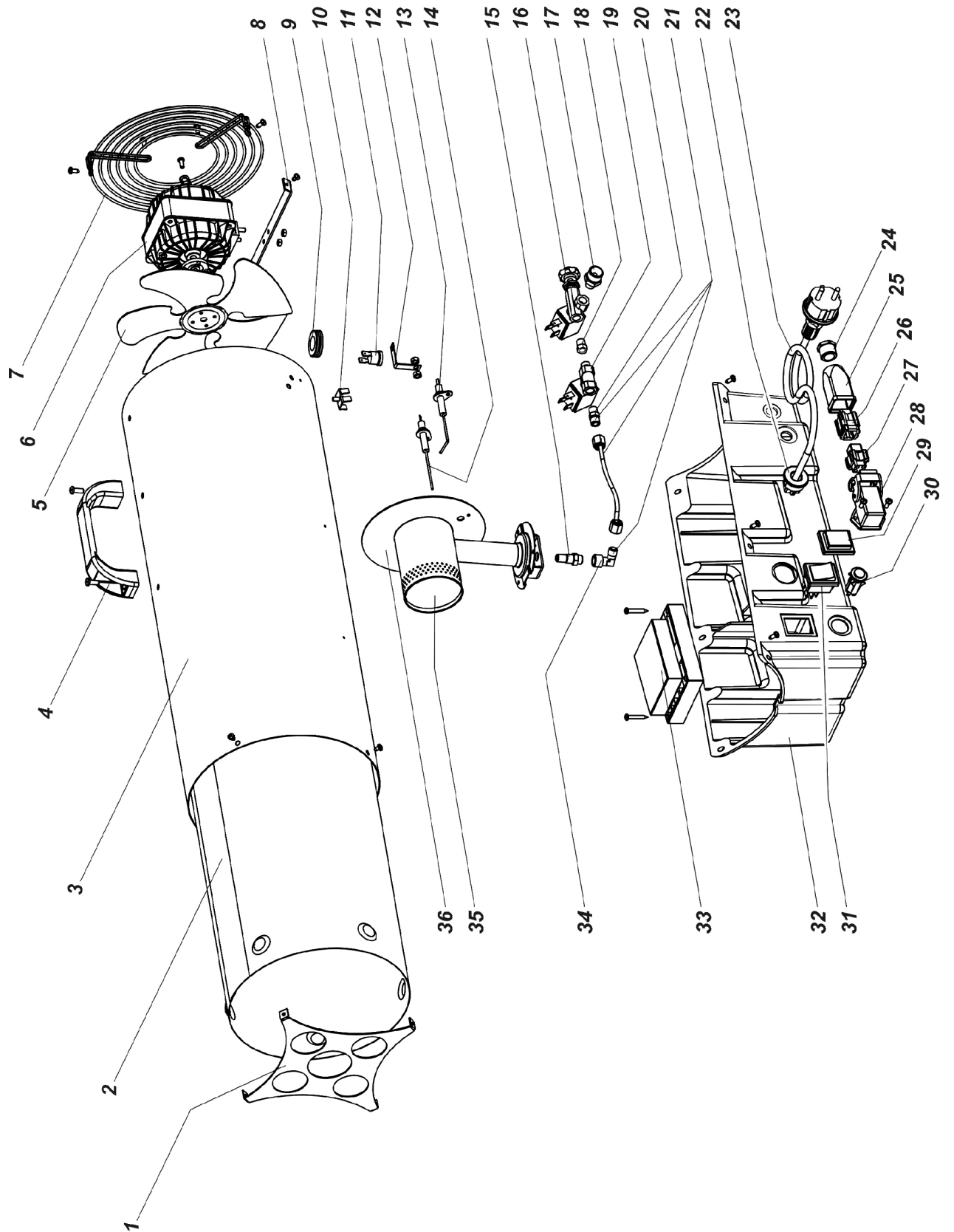
REM30M PLASTIC BASE ILLUSTRATED PARTS BREAKDOWN



REMINGTON REM 30 M PLASTIC BASE

Pos.	Code NR	Description
1	4160.764	OUTLET GRID
2	4161.373	COMBUSTION CHAMBER
3	4161.468	YELLOW COVER RAL 1006
4	4160.715	PLASTIC HANDLE
5	4160.690	FAN Ø200 19°
6	4160.629	ELECTRIC MOTOR 80 W 230-240/50HZ IP44
7	4160.784	INLET GRID
8	4161.010	SUPPORT ELECTRIC MOTOR
9	4160.646	GROMMET 16-30-22
10	4160.731	IGNITION ELETTRICAL FOLDER
11	4160.636	SAFETY THERMOSTAT 90°
12	4160.708	SUPPORT FOR THERMOSTAT
13	4160.654	INTERRUPTED THERMOCOUPLE
14	4160.627	ELASTIC WASHER
15	4160.726	PLATE BURNER
16	4160.687	GAS BURNER
17	4160.724	COPPER EXTENDIN VALVOLE-NOZZLE
18	4160.623	NOZZLE 1/8"
19	4160.700	GAS INLET NOZZLE 3/8 M - 1/8 M
20	4160.653	SAFETY GAS VALVE
21	4160.701	RING NUT M12X0,75
22	4160.968	NOZZLE 1/8"
23	4160.660	GAS COCK WITH ELECTRO-VALVE
24	4160.721	PLASTIC BASE
25	4160.733	ELECTRIC CABLE
26	4160.635	KEEPER WIRE DEVICE PA 107
27	4160.638	COVER SWITCH
28	4160.637	SWITCH
29	4160.641	PIEZO IGNITOR
30	4160.640	ADAPTER FOR PIEZO IGNITOR
31	4160.621	90° DEGREE ELBOW 1/8"
32	4160.722	GAS NOZZLE Ø1,15
33	4160.639	RIVET POP

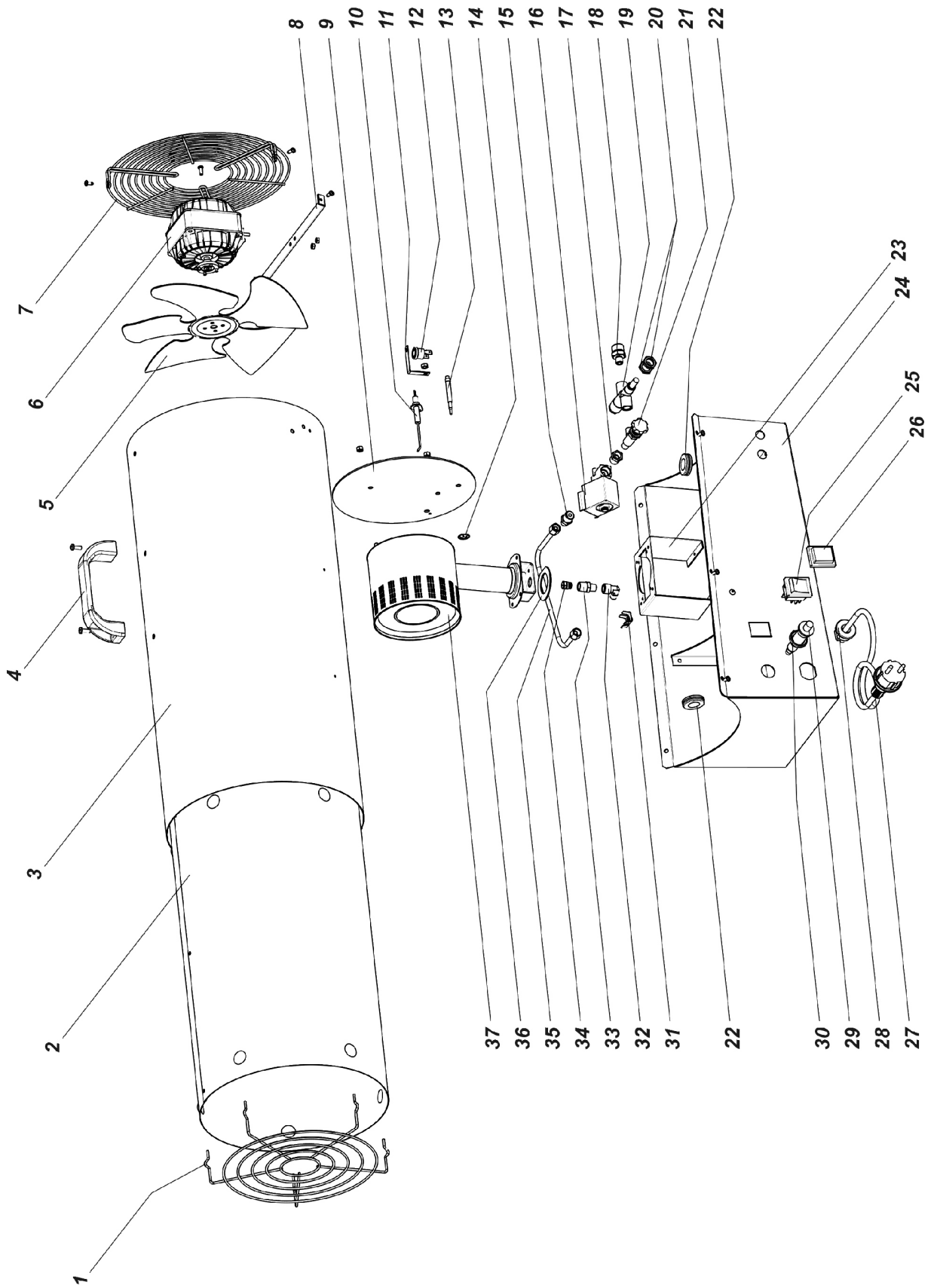
REM30 E PLASTIC BASE ILLUSTRATED PARTS BREAKDOWN



REMINGTON REM 30 E PLASTIC BASE

Pos.	Code NR	Description
1	4160.764	OUTLET GRID
2	4161.373	COMBUSTION CHAMBER
3	4161.468	YELLOW COVER RAL 1006
4	4160.715	PLASTIC HANDLE
5	4160.690	FAN Ø200 19°
6	4160.629	ELECTRIC MOTOR
7	4160.784	INLET GRID
8	4161.010	SUPPORT ELECTRIC MOTOR
9	4160.646	GROMMET 16-30-22
10	4160.639	RIVET POP
11	4160.636	SAFETY THERMOSTAT 90°
12	4160.708	SUPPORT FOR THERMOSTAT
13	4161.248	IGNITION ELETTRICAL FOLDER
14	4160.632	FLAME PROBE
15	4160.722	GAS NOZZLE Ø1,15
16	4160.660	GAS COCK WITH ELECTRO-VALVE
17	4160.700	GAS INLET NOZZLE 3/8 M - 1/8 M
18	4161.501	NIPPLE 1/8"M.F.
19	4160.655	ELECTROVALVE
20	4160.623	NOZZLE 1/8"
21	4160.724	COPPER EXTENDIN VALVOLE-NOZZLE
22	4160.635	KEEPER WIRE DEVICE PA 107
23	4160.733	ELECTRIC CABLE
24	4160.651	KEEPER WIRE DEVICE
25	4160.648	COMPLETE PLUG IN
26	4160.650	CONNEXION PLUG 5 PIN
26	4161.401	ONNEXION PLUG 4 PIN
27	4160.649	CONNEXION SOCKET 5 PIN
27	4161.400	CONNEXION SOCKET 4 PIN
28	4160.647	ANGULAR FIX CASE
29	4160.638	COVER SWITCH
30	4161.058	LIGHT SWITCH
31	4161.057	SWITCH
32	4161.281	PLASTIC BASE
33	4161.004	ELECTRONIC PC BOARD FOR GAS
34	4160.621	90° DEGREE ELBOW 1/8"
35	4160.687	GAS BURNER
36	4160.752	PLATE BURNER

REM 50 M

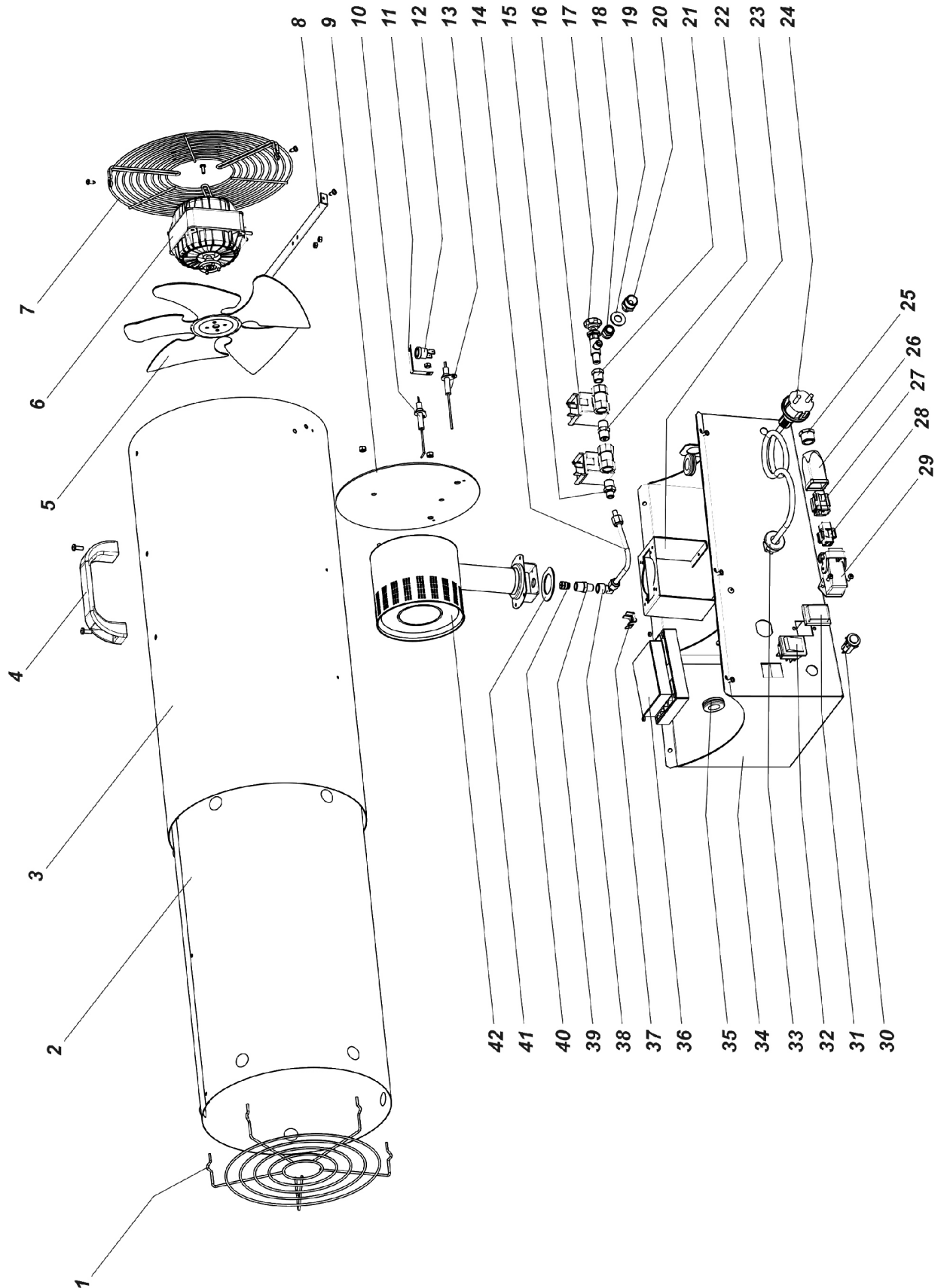


Cod. 4160.988

REMINGTON REM 50 M

Pos.	Code NR	Description
1	4160.740	OUTLET GRID
2	4161.083	COMBUSTION CHAMBER
3	4161.028	YELLOW COVER RAL 1006
4	4160.715	PLASTIC HANDLE
5	4160.691	FAN
6	4160.630	ELECTRIC MOTOR
7	4160.739	INLET GRID
8	4161.013	SUPPORT ELECTRIC MOTOR
9	4160.744	PLATE BURNER
10	4160.731	IGNITION ELETTRICAL FOLDER
11	4160.708	SUPPORT FOR THERMOSTAT
12	4160.636	SAFETY THERMOSTAT 90°
13	4160.953	INTERRUPTED THERMOCOUPLE
14	4160.627	ELASTIC WASHER
15	4160.962	NOZZLE 1/4" - 1/8"
16	4160.963	ELECTROVALVE
17	4160.964	NIPPLES REDUCER
18	4160.700	GAS INLET NOZZLE 3/8 M - 1/8 M
19	4160.688	SAFETY GAS VALVE
20	4160.701	RING NUT M12X0,75
21	4160.683	GAS COCK
22	4160.646	GROMMET 16-30-22
23	4161.018	SUPPORT BURNER
24	4161.015	BASE
25	4160.637	SWITCH
26	4160.638	COVER SWITCH
27	4160.631	ELECTRIC CABLE
28	4160.635	KEEPER WIRE DEVICE PA 107
29	4160.641	PIEZO IGNITOR
30	4160.640	ADAPTER FOR PIEZO IGNITOR
31	4160.639	RIVET POP
32	4160.967	90° DEGREE ELBOW 1/8"
33	4160.768	SUPPORT GAS NOZZLE
34	4160.766	GAS NOZZLE
35	4161.019	COPPER EXTENDIN VALVOLE-NOZZLE
36	4160.769	NECK PLATE
37	4160.676	GAS BURNER

REM50 E ILLUSTRATED PARTS BREAKDOWN



Cod. 4161.135

REMINGTON REM 50 E

Pos.	Code NR	Description
1	4160.740	OUTLET GRID
2	4161.083	COMBUSTION CHAMBER
3	4161.028	YELLOW COVER RAL 1006
4	4160.715	PLASTIC HANDLE
5	4160.691	FAN
6	4160.630	ELECTRIC MOTOR
7	4160.739	INLET GRID
8	4161.013	SUPPORT ELECTRIC MOTOR
9	4161.041	PLATE BURNER
10	4161.248	IGNITION ELETTRICAL FOLDER
11	4160.708	SUPPORT FOR THERMOSTAT
12	4160.636	SAFETY THERMOSTAT 90°
13	4160.632	FLAME PROBE
14	4161.039	COPPER EXTENDIN VALVOLE-NOZZLE
15	4160.962	NOZZLE 1/4" - 1/8"
16	4160.963	ELECTROVALVE
17	4160.683	GAS COCK
18	4161.094	VERBINDUNGSMUFFE
19	4160.614	PLAIN WASHER M10
20	4160.700	GAS INLET NOZZLE 3/8 M - 1/8 M
21	4160.964	NIPPLES REDUCER
22	4161.095	NOZZLE 1/4"
23	4161.018	SUPPORT BURNER
24	4160.631	ELECTRIC CABLE
25	4160.651	KEEPER WIRE DEVICE PG11
26	4160.648	COMPLETE PLUG IN
27	4160.650	CONNEXION PLUG 5 PIN
27	4161.401	CONNEXION PLUG 4 PIN
28	4160.649	CONNEXION SOCKET 5 PIN
28	4161.400	CONNEXION SOCKET 4 PIN
29	4160.647	ANGULAR FIX CASE
30	4161.058	LIGHT SWITCH
31	4160.638	COVER SWITCH
32	4161.057	SWITCH
33	4160.635	KEEPER WIRE DEVICE PA 107
34	4161.092	BASE
35	4160.646	GROMMET 16-30-22
36	4161.004	ELECTRONIC PC BOARD FOR GAS
37	4160.639	RIVET POP
38	4160.967	90° DEGREE ELBOW 1/8"
39	4160.768	SUPPORT GAS NOZZLE
40	4160.766	GAS NOZZLE
41	4160.769	NECK PLATE
42	4160.676	GAS BURNER