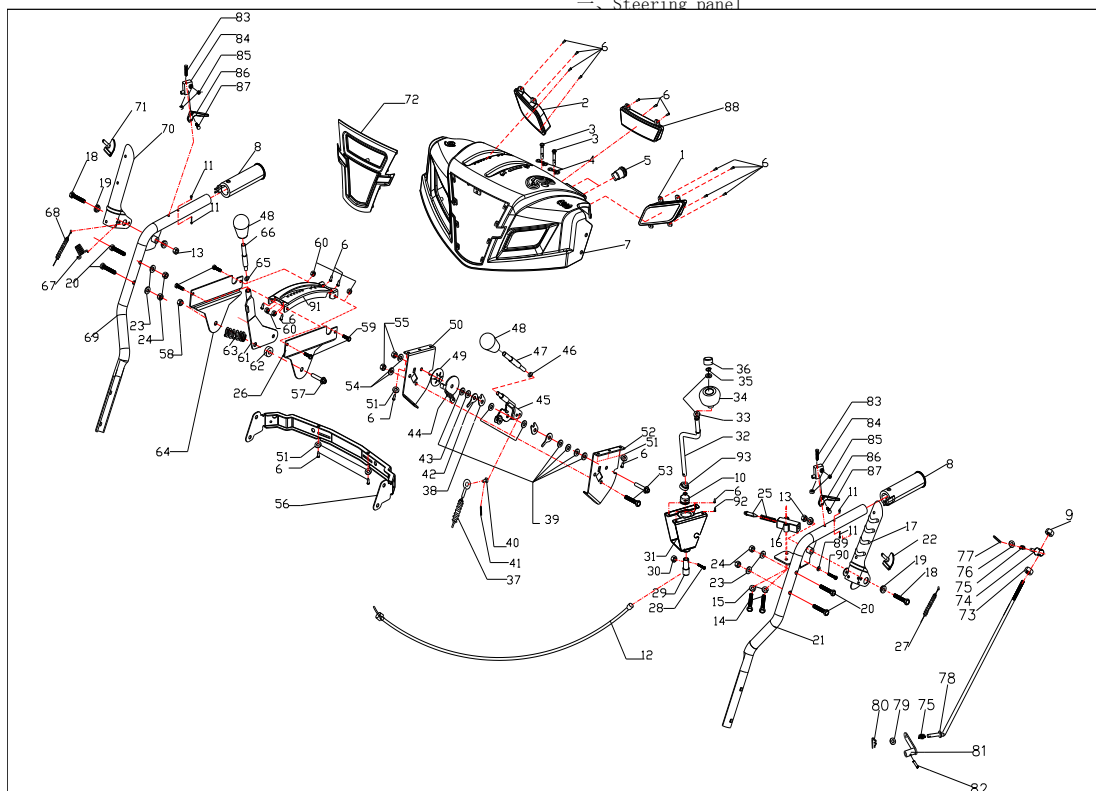


Для моделей серии MV 2015-1A/B panel assembly

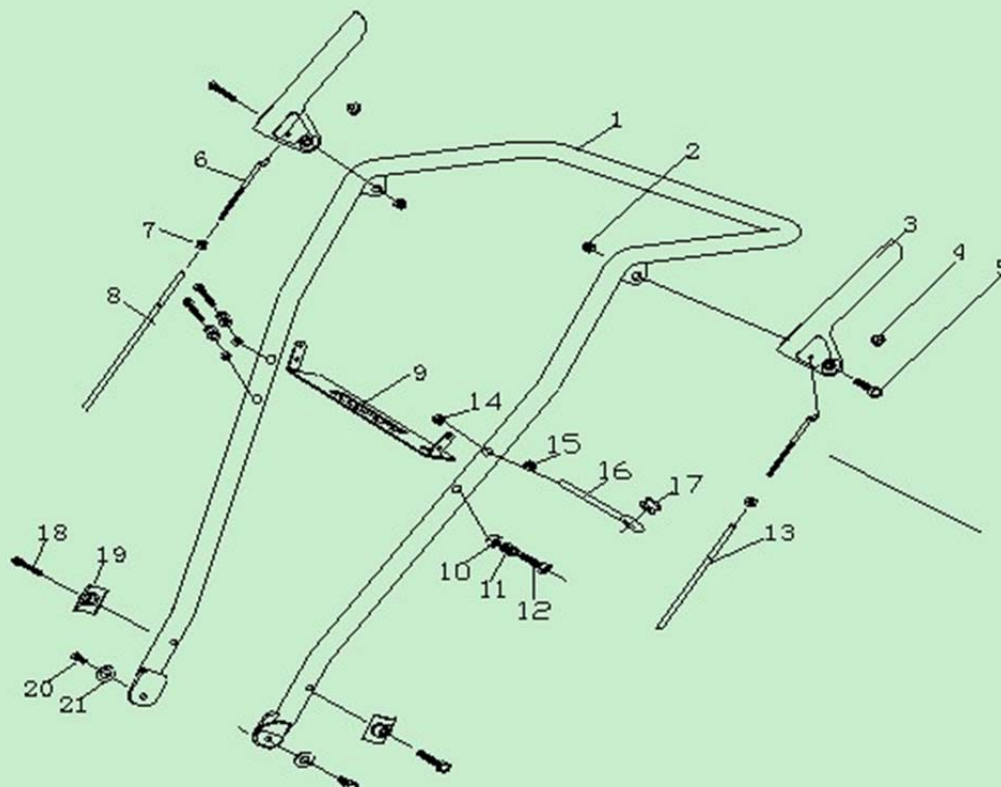
一、Steering panel



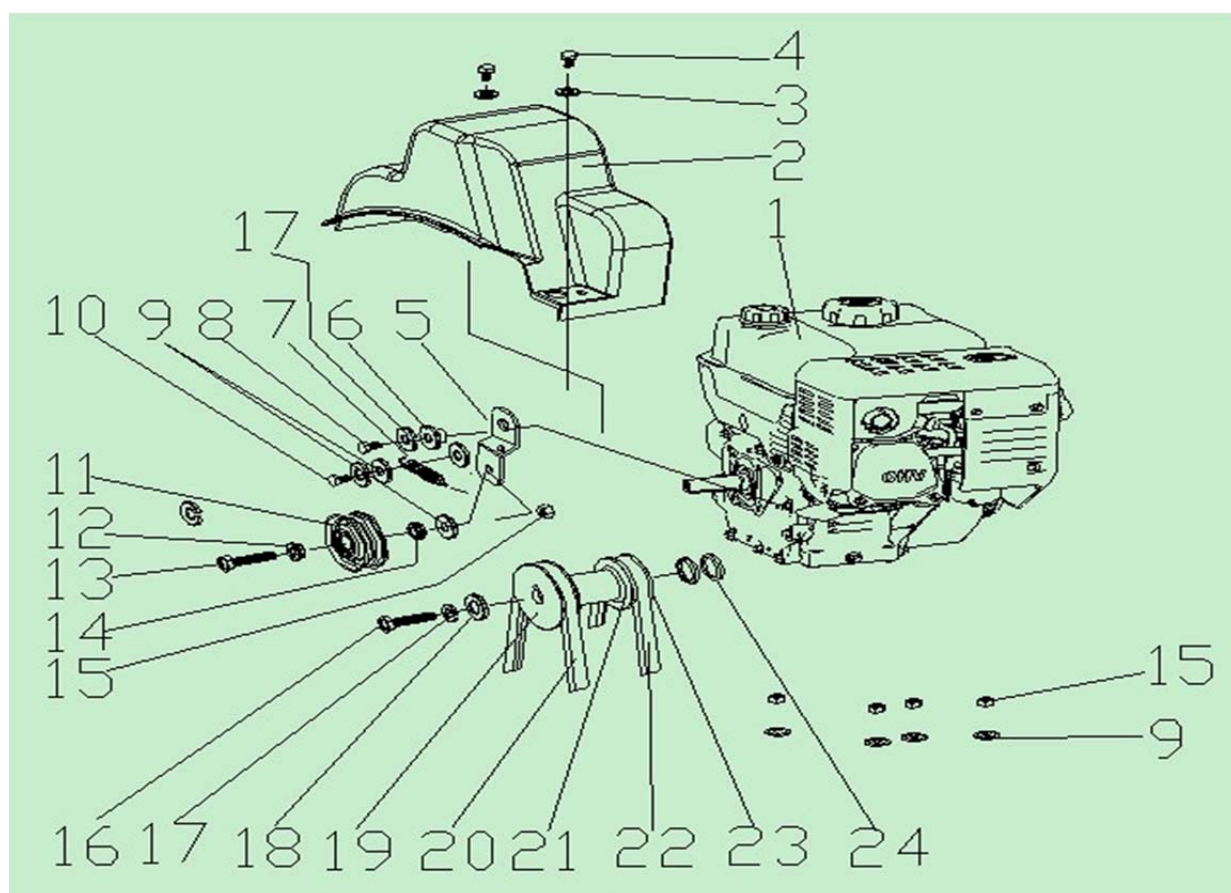
序号	级别	Артикул	编码	English	数量	材料与规格
1	2		13.1.10.01.003	Left head lamp	1	组件 12V
2	2		13.1.10.01.004	Right head lamp	1	组件 12V
3	2	NJ-01	WCM00000S05018	shear pin	2	
4	2	NJ-02	WCY00000S05019	pin buckle	2	
5	2	SA-011-2015	13.1.10.04.002	Switch FT 22	2	12V16A.4针脚
6	2	SH-4.2*16	WBZSH04801200	recessed pan head tapping screw	26	STØ4.2*16
7	2		05.1.10.010	Panel	1	PP
8	2	SX-11-008	ZZSTPRS22037	warm handel sleeve	2	TPR
9	2	NHLN-8	WBZHL000008001	lock nut	1	M8
10	2	ZY-106	XQT000S48003	rubber sleeve 1	1	PU
11	2	BE-4*12	WBZMD00401200	rebite	4	Ø4*12
12	2	2015-011		flexible shaft	1	组件<外购>
13	2	NHLN-8	WBZHL000008001	lock nut	2	M8
14	2	HS-6*18	WBZHS006018001	bolt	2	M6*18
15	2	SW-6	WBZSW000006001	spring gasket	2	Ø6
16	2	2012-KEY-04	WFJ00000S26109	Self-locking mounting	1	粉末冶金
17	2	2011-SX-11-031-4	ZWX000S26053	left handle welding	1	A3
18	2	HS-8*55	WBZHS008055001	bolt	2	M8*55
19	2	SJ-046-1	WFJ00000S05074	Small tensioning pad	4	粉末冶金
20	2	HFB-8*40	WBZHF008040001	flange bolt	4	M8*45
21	2	NF-002-L-B	ZPS000S26056	handel upper tube weld	1	
	3	NF-002A(L)	ZJGS00026057WS	handel upper tube	1	
	3	2011-KEY-01	ZHJ000S26058WS	interlock plate welding assembly	1	
	3	2011-KEY-01-02	ZJG000S26059WS	left clutch fixed plate	1	
	3	2011-KEY-01-03	ZJG000S26060WS	Clutch mounting	1	
	3	SJ-236	ZJG000S16037WS	wire block	1	
22	2	SJ-047-1	ZZS0PUS05086	SJ rubber cap	2	PU
23	2	FB-8*16*1.2	WBZPD08161290	gasket	4	Ø8*Ø16*1.2
24	2	NHLN-8	WBZHL000008001	lock nut	4	M8
25	2	11-SX-11-36K	LKZ1450643001	interlock cable	1	
26	2	NF-001-4-01	WCY00000S26069	Gear rack (left)	1	A3

27	2	SX-11-036B-2	LKZ2051395001	Auger cable	1	
28	2	HS-4*20	WBZHS004020001	bolt	1	M4*20
29	2	2015-004		flexible shaft sleeve	1	45
30	2	NHLN-4	WBZHL000004001	lock nut	1	M4
31	2	2015-01		Rocker block assembly	1	
	3	2015-01-001		Rocker block	1	Q235冷压板
	3	2015-01-002		Rocker block 3	1	Q335冷压板
	3	2015-01-003		flexible shaft 2	1	A3
32	2	ZY-051	WCM00009S4802	Rocker	1	Q235
33	2	FB-10*20*1	WBZPD10201090	gasket	2	Ø10*Ø20*1
34	2	SL-8-11	ZZS0PPS38087	arge chute steering adjust han	1	PP
35	2		WBZZK00001000	external plier	1	0 (GB/T984、2-1986
36	2	SL-8-03	ZZS0PUS38086	arge chute steering handle ba	1	PU
37	2	SX-11-36E	LKZ1781460001	discharge chute wire	1	
38	2	SJ-215	ZWX000S16021	U shape fiche	2	
39	2	FB-8*22*2	WBZPD082220001	gasket	5	Ø8*22*2
40	2	SJ-233	WCM00000S16047	wire pin	1	A3
41	2	OSP-2.0*29	WBZKX02002900	Cotter pin 2	1	2.0*29
42	2	SJ-224	WCY00000S16022	Calabash card	2	
43	2	SA-008	WCY00000S16094	Curved elastic gasket	3	8
44	2	SJ-210-1	WCY00000S16040	the damping mounting p	1	45
45	2	SJ-209	WHJ00000S16017	Adjust rod welding assembly	1	A3
	3	SJ-209-1	WCY00000S16018	Adjust rod welding 1	1	A3
	3	SJ-209-2	WCY00000S16019	Adjust rod welding 2	1	A3
	3	SJ-209-3	WCM00000S16020	Adjust rod welding rod	1	A3
46	2	SW-8	WBZSW000008001	spring gasket	1	Ø8
47	2	2015-003		handel connecting 2	1	A3
48	2	STG8062Ae-26	ZZSPVCS18032	gear handel	2	PVC
49	2	SJ-223	ZWX000S16025	Bowl shrapnel	1	65Mn
50	2	NF-001-7-01	WCY00000S26075	ischarge chute wire fixed b	1	A3
51	2	FB-5*12*1.2	WBZPD051212001	gasket	8	Ø5*12*1.2
52	2	NF-001-7	WCY00000S26073	scharge chute wire fixed br	1	A3
53	2	HS-8*45	WBZHS008045001	bolt	2	M8*45
54	2	FB-8*16*1.2	WBZPD081612001	gasket	2	Ø8*16*1.2
55	2	NHLN-8	WBZHL000008001	lock nut	2	M8
56	2	NF-001-5	ZPS000S26081	Underside coaming	1	A3
57	2	HS-10*45	WBZHS010045001	bolt	1	M10*45
58	2	NHLN-10	WBZHL000010001	lock nut	1	M10
59	2	HS-6*12	WBZHS006012001	bolt	4	M6*12
60	2	NHLN-6	WBZHL000006001	lock nut	4	M6
61	2	NF-001-8	ZWX000S26077	gear plate welding set	1	Q235
	3	NF-001-8-1	WCY00000S26078	gear plate	1	Q235 184*92.5*15
	3	NF-001-8-2	WCM00000S26079	gear handel	1	Q235 M8*Ø16*28
62	2	FB-10*28*3	WBZPD102830001	gasket	1	Ø10*28*3
63	2	STG11 (13) 70 (10) AE-02-08	WTH00000S26083	handel adjust spring	1	
64	2	NF-001-4-02	WCY00000S26070	gear fixed bracket	1	A3
65	2	SW-8	WBZSW000008001	spring gasket	1	Ø8
66	2	2015-002		handle connecting 1	1	A3
67	2	NF-001-14-3	WTH00000S26082	clutch handle spring 3	1	65Mn
68	2	SJ-231	LKZ3101150001	walking wire	1	
69	2	NF-002-R-B	ZPS000S26061	handrail upper tube wel	1	
	3	NF-002A(R)	ZJG000S26062WS	handrail upper tube	1	
	3	2011-KEY-05	ZHJ000S26063WS	right clutch fixed plate welding comp.	1	
	3	2011-KEY-05-01	ZJG000S26064WS	right clutch fixed plate	1	
	3	2011-KEY-01-03	ZJG000S26060WS	clutch fixed sleeve	1	
	3	SJ-236	ZJG000S16037WS	wire fixed block	1	
70	2	2011-SX-11-031-2	ZWX000S26067	right handel	1	A3
71	2	SJ-047-1	ZZS0PUS05086	SJ rubber cap	1	PU

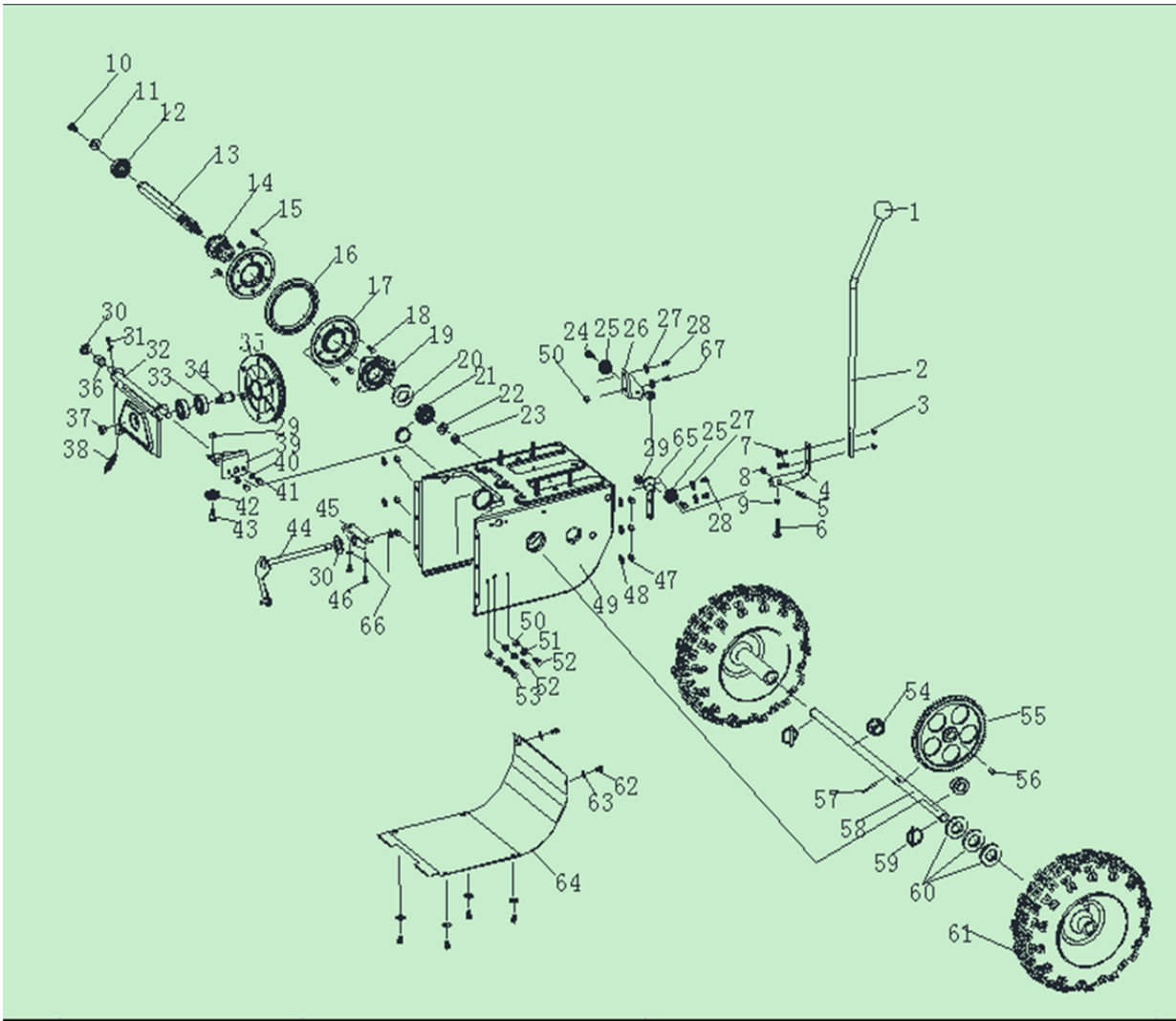
72	2		05.1.10.011	PPGO plastic plate(2015-1	1	PP
	2		05.1.10.012	PPGO plastic plate(2015-1	1	
73	2		WBZFN000008001	flange nut	1	M8
74	2	GPP6562C-01-07	WCM00000S05130	adjusting handel upper conn	1	Q235
75	2	GPP6562C-01-09	WTH00000S05131	adjustable speed adjusting sprin	2	65Mn
76	2		WBZPD082220001	gasket	1	A3 Ø8*22*2
77	2		WBZKK025035001	cotter pin	1	65Mn 2.5*25
78	2	NF-001-18	WCM00000S26084	gear connecting rod	1	
79	2		WBZPD081612001	gasket	1	A3 Ø8*16*1.2
80	2	NJ-02	WTH00000S05019	pin buckle	1	A3
81	2	STG11(13)70(10)AE-02-02-03	WHJ00000S26023	fork arm	1	Q235
	3	STG11(13)70(10)AE-02-02-03-	WCY00000S26024	fork arm plate	1	
	3	STG11(13)70(10)AE-02-02-03-	WCM00000S26025	fork arm sleeve	1	
82	2		WBZJX006030001	Cotter pin	1	65Mn Ø6*30
83	2	HS-5*35	WBZHS005035001	bolt	2	M5*35
84	2	SX-11-029	ZZS0PPS22061	handel seat	2	PP黑色
85	2	NHLN-5	WBZHL000005001	lock nut	4	
86	2	SX-11-028	ZZS0PPS22062	handel	2	PP黑色
87	2	SX-11-027	WCM00000S22063	slotted small plate head	2	
88	2		13.1.10.01.005	Head lamp	1	组件 12V
89	2	SW-5	WBZSW000005001	spring gasket	1	Ø6
90	2	HS-6*16	WBZHS005016001	bolt	1	M6*16
91	2	2015-001		hang seat	1	Q235-A
92	2	SH-4.2*12	WBZSH04801200	recessed pan head tapping s	1	
93	2	STG8027BS-035		Rocker damping sleeve	1	



No.	Code No.	English name	Qty
1	SJ-042	SJ handle kit	1套
2	NHLN-8	Non metal outside six angle locknut	2
3	SJ-110	SJ handle	2
4	SJ-047	SJ rubber cap	2
5	HS-8*45	Hexagon screw	2
6	SJ-033B	SJ steel sticker	2
7	XA-04-110	Copper nut	2
8	SJ-032	SJ steel rod 1	1套
9	SJ-109	SJ bounding plate	1
10	NHLN-6	Non metal outside six angle locknut	3
11	FB-6.5*12*0.7	Gasket	6
12	HS-6*35	Hexagon screw	3
13	SJ-033	SJ steel rod 2	1套
14	NHLN-8	Non metal outside six angle locknut	1
15	HN-8	Hexagon screw	1
16	SJ-044B	SJ rudder rod	1
17	SJ-044C	SJ rotating rod rubber ring	1
18	HFB-8*40	Hexagon screw	2
19	SJ-028	The handrail rod shim	2
20	HS-8*20	Hexagon screw	2
21	FB-8*22*2	Flat gasket	2

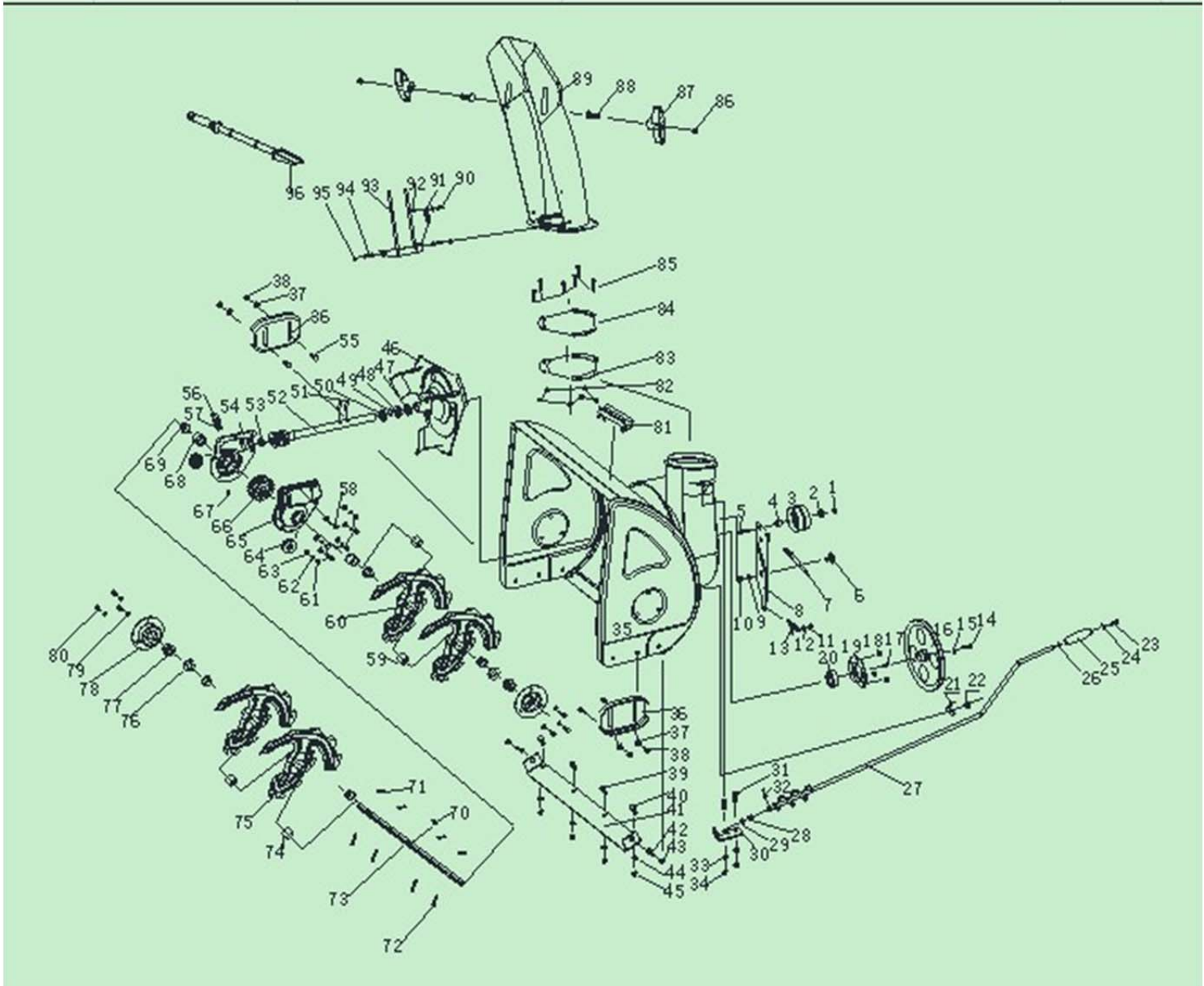


	Code No.	English name	Qty
1	LC165	Engine	1
2	SJ-031	The belt wheel cover	1
3	FB-6*16*1.5	Flat gasket	2
4	HS-6*12	Hexagon screw	2
5	SJ-045	Small tensioning plate	1
6	SJ-046-1	Small tensioning plate pad	1
7	SJ-035-1	Spring 3	1
8	HS-8*20	Hexagon screw	1
9	FB-8*16*1.2	Flat gasket	6
10	HS-8*16	Hexagon screw	1
11	SX-11-170	Small tensioning wheel	1套
12	SJ-008C	Gasket	1
13	HS-8*30	Hexagon screw	1
14	SX-11-170B	Small tensioning wheel pad	1
15	NHLN-8	Non metal outside six angle locknut	5
16	HFB-8*25	Hexagonal bolt	1
17	SW-8	Spring washer	2
18	FB-8*28*3	Flat gasket	1
19	SJ-049B	SJ main pulley	1
20	LB4L-885	V type belt	1
21	SJ-049-1	The small pulley washer	1
22	TB-5M*750	Synchronous belt	1
23	SJ-049	SJ main toothed belt pulley	1
24		Output shaft gasket	2



No.	Code No.	English name	Qty
1	SJ-308	The gear handle ball	1
2	SJ-068A	SJ sticker	1
3	NHLN-6	Non metal outside six angle locknut	3
4	SJ-068B	SJ steel sticker sheet	1
5	HS-6*25	Hexagon screw	1
6	HS-6*25	Hexagon screw	1
7	HES-6*20	Socket head screw	2
8	NHLN-6	Non metal outside six angle locknut	1
9	HFN-6	Flange nut	1
10	HS-8*16	Hexagon screw	1
11	FB-8*28*2	Flat gasket	3
12	KBE-6203	Deep groove ball bearing with spring	1
13	SJ-005	Six angle gear shaft	1
14	SJ-013C	Change pulley	1
15	HS-6*12	Hexagon screw	3
16	SJ-013D	Rubber ring	1
17	SJ-013A	Big washer	2
18	HS-6*12	Hexagon screw	3
19	SJ-013B	Shaft cap	2
20	SR-35	Shaft circlip	1
21	KBE-6203	Deep groove ball bearing with spring	1
22	FB-10*28*2	Flat gasket	1
23	NHLN-10	Non metal outside six angle locknut	1

24	SJ-052	SJ hexagonal bolt 3	2
25	SJ-016B	SJ cable pulley	2
26	SJ-016A	SJ pulley mounting plate 1	1
27	FB-6*12*0.7	Flat gasket	2
28	HS-6*12	Hexagon screw	2
29	HFN-6	flange surface nut	3
30	FB-13*24*2	Flat gasket	2
31	CP-2.5*35	Opening pin	1
32	SJ-007	SJ belt pulley bracket	1套
33	BE-6203	Deep groove ball bearing	2
34	SJ-010B	Drive shaft pulley	1
35	SJ-010A	SJ driving synchronous belt pulley assembly	1
36	SJ-107	SJ sleeve	1
37	NHLN-10	Non metal outside six angle locknut	1
38	SJ-069	Spring 6	1
39	SJ-015	Pulley plate 2	1
40	FB-6*12*0.7	Flat gasket	2
41	HS-6*12	Hexagon screw	2
42	SJ-016B	SJ cable pulley	1
43	SJ-052	SJ six angle screw 3	1
44	SJ-040	Shifting fork	1套
45	SJ-002	Rectangular block	1
46	HS-6*12	Hexagon screw	2
47	NHLN-8	Non metal outside six angle locknut	6
48	FB-8*16*1.2	Flat gasket	6
49	SJ-103	SJ gear box shell	1
50	HFN-6	Flange nut	4
51	FB-6*12*0.7	Flat gasket	3
52	HS-6*30	Hexagon screw	2
53	HS-6*20	Hexagon screw	1
54	SJ-026	The end cap sleeve	2
55	SJ-003	Big gear wheel	1
56	WK-5*7.5*19	Woodruff key	2
57	OSP-4*30	Opening pin	1
58	SJ-017	Drive axle	1
59	SJ-066	The spring pin assembly	2
60	FB-19*38*1.5	Flat gasket	3
61	TC-13	Tire	2
62	HS-6*12	Hexagon screw	6
63	FB-6*12*0.7	Flat gasket	6
64	SJ-102	SJ transmission case cover plate	1
65	SJ-014	SJ pulley mounting plate 3	1



No.	Code No.	English name	Qty
1	NHLN-8	Non metal outside six angle locknut	1
2	SJ-008C	SJ pad	1
3	SJ-008	SJ large tight wheel 2(with bearing)	1套
4	SJ-008B	SJ sleeve	1
5	HS-8*45	Hexagon screw	1
6	SJ-050	SJ hexagonal bolt 1	1
7	SJ-032A	SJ spring 1	1
8	SJ-023	SJ fixed plate	1
9	FB-10*20*2	Flat gasket	2
10	NHLN-10	Non metal outside six angle locknut	1
11	NHLN-8	Non metal outside six angle locknut	1
12	FB-8*16*1.2	Flat gasket	2
13	SJ-037	Spring 5	1
14	HS-8*20	Hexagon screw	1
15	FB-8*28*2	Flat gasket	1

16	SJ-039	SJ large belt pulley	1
17	FK-C6*17	Square key	1
18	NHLN-8	Non metal outside six angle locknut	3
19	SJ-004	Round bottom cover	1
20	BE-UC204	Spherical ball bearing	1
21	SJ-300	Belt guard	1
22	NHLN-8	Non metal outside six angle locknut	1
23	SHS-6*10	Cross head screw	1
24	FB-6*18*1.5	Flat gasket	1
25	SJ-310	SJ hand set	1
26	FB-10*20*1	Flat gasket	1
27	SJ-044A	Rocker	1
28	SJ-011A	The mounting plate plastic ring	1
29	FB-10* ϕ 20*2	Flat gasket	1
30	SJ-011	Small mounting plate	1
31	CB-8*18	Cup head square neck screw	2
32	CP-2.5*25	Cotter pin	1
33	FB-8*16*1.2	Flat gasket	1
34	NHLN-8	Non metal outside six angle locknut	2
35	SJ-104	SJ box	1套
36	SJ-111	SJ skid	2
37	FB-8*22*2	Flat gasket	4
38	NHLN-8	Non metal outside six angle locknut	4
39	CB-8*16	Cup head square neck screw	2
40	CB-8*20	Cup head square neck screw	2
41	SJ-006	SJ long baffle plate	1
42	CB-8*16	Cup head square neck screw	2
43	NHLN-8	Non metal outside six angle locknut	2
44	FB-8*22*2	Flat gasket	4
45	NHLN-8	Non metal outside six angle locknut	4
46	SJ-001	SJ Fan	1套
47	OS-32*20*6	Grease seal	1
48	BE-51104	Single direction thrust ball bearing	1
49	SJ-057	Spacer ring	1
50	BE-6904	Deep groove ball bearing	1
51	FRP-6*30	Coiled spring pin	2
52	SJ-030	SJ driving worm gear shaft	1
53	BE-16001	Deep groove ball bearing	1
54	SJ-101A	SJ bottom base	1
55	CB-8*20	Cup head square neck screw	4
56	RM-5HP	Oil nipple	1
57	WG-10	Corrugated gasket	1
58	SHS-6*25	Hexagonal bolt	1
59	22-SX-11-300	The output shaft sleeve	2
60	30-SX-11-125	Right auger	2
61	SHS-6*20	Hexagonal bolt	6
62	SW-6	Spring washer	7
63	FB-6*12*0.7	Flat gasket	7
64	OS-30*19*7	Grease seal	2

65	SJ-101	SJ upper base	1
66	SJ-038	SJ worm gear	1
67	SHS-5*12	Cross head bolt	1
68	SJ-108	SJ output shaft sleeve	1
69	SJ-019	Drive shaft sleeve	2
70	WK-5*7.5*19	Woodruff key	1
71	NJ-02	Pin buckle	4
72	NJ-01	The output shaft bolt	4
73	22-SX-11-134	Output shaft	1
74	22-SX-11-301	The output shaft sleeve	2
75	30-SX-11-135	Left auger	2
76	FB-19*38*1.5	Flat gasket	2
77	SJ-020	Axle sleeve	2
78	SJ-024	Bearing cap	2
79	FB-8*16*1.2	Flat gasket	6
80	HS-8*10	Hexagon screw	6
81	SJ-151	Shovel bracket	1
82	NHLN-6	Non metal outside six angle locknut	6
83	SJ-021	Washer	3
84	SJ-021C	Washer	3
85	HS-6*16	Hexagon screw	6
86	NHLN-8	Non metal outside six angle locknut	2
87	SJ-138	Handle locking	2
88	CB-8*25	Cup head square neck screw	2
89	SJ-140	Snow chute	1套
90	HS-6*16	Hexagon screw	1
91	SJ-036	Spring 4	1
92	HFN-6	The six angle flange surface nut	2
93	SJ-012	Bending rod set	1套
94	HS-6*16	Hexagon screw	2
95	NHLN-6	Non metal outside six angle locknut	2
96	SJ-150	Plastic shovel	1

