



# Illustrated Parts List

## 122400

TYPE NUMBERS  
0033 through 0251.

### Model Series

#### TABLE OF CONTENTS

Air Cleaner .....	7
Blower Housing .....	8
Camshaft .....	2
Carburetor .....	4
Controls .....	6
Crankcase Cover .....	2
Crankshaft .....	2
Cylinder .....	2
Cylinder Head .....	3
Electric Starter .....	8
Exhaust System .....	7
Flywheel .....	8
Fuel Supply .....	5
Governor Spring .....	6
Gear Reduction .....	8
Ignition .....	6
Kits/Gaskets - Carburetor .....	5
Kits/Gaskets - Engine .....	2
Kits/Gaskets - Valve .....	3
Lubrication .....	2
Piston Group .....	2
Rewind Starter .....	8



PRINTED IN U.S.A.

COPYRIGHT by BRIGGS & STRATTON CORPORATION  
All rights reserved. No part of this material may be reproduced or transmitted, in any form or by any means, electronic or mechanical, including photocopying, recording or by any information storage and retrieval system, without permission in writing from Briggs & Stratton Corporation.

1319 WARNING LABEL



**REQUIRED** when replacing parts with warning labels affixed.

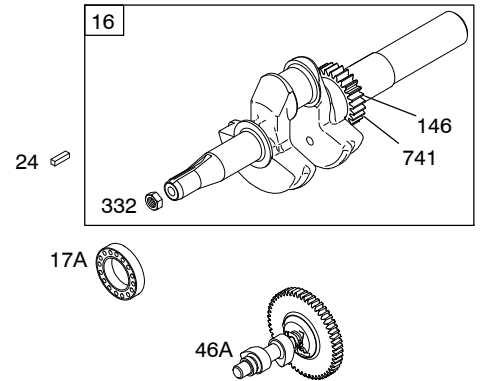
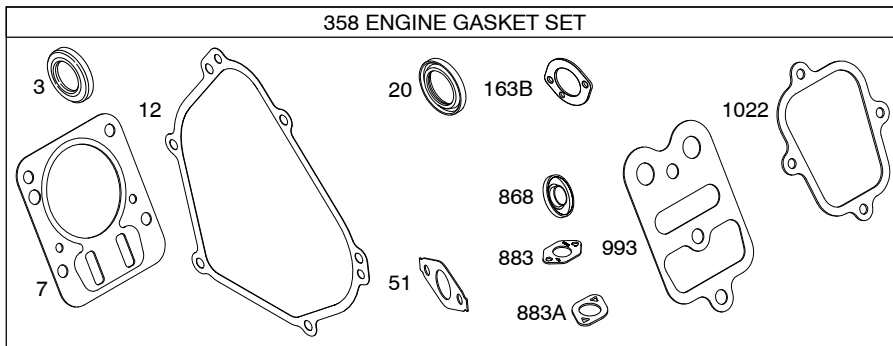
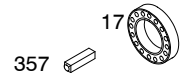
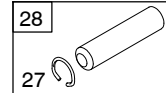
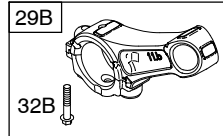
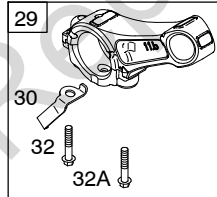
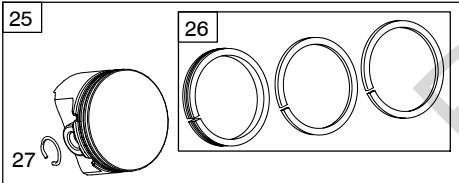
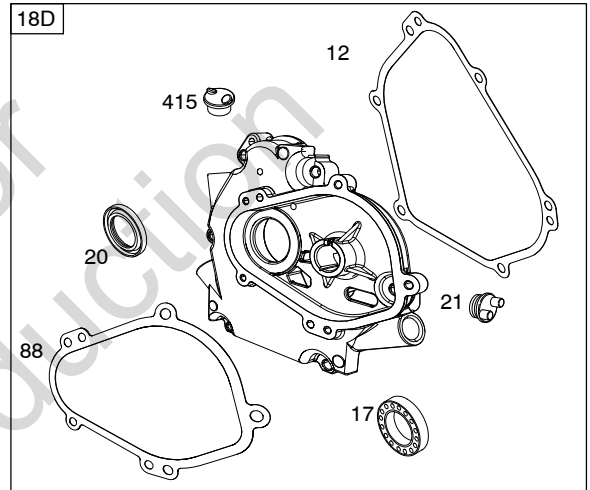
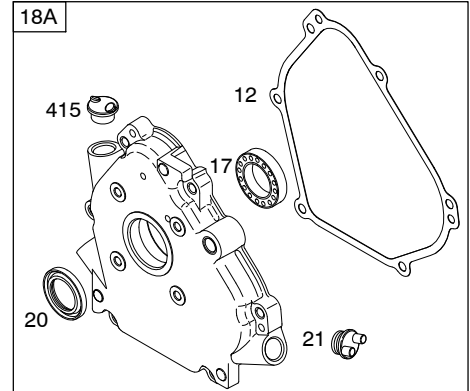
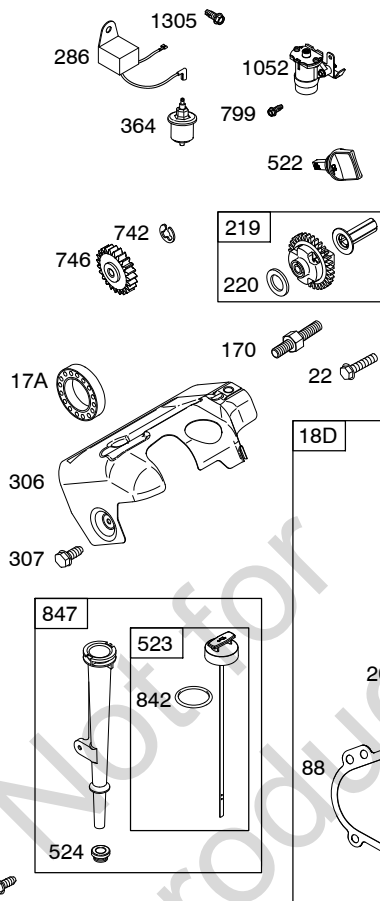
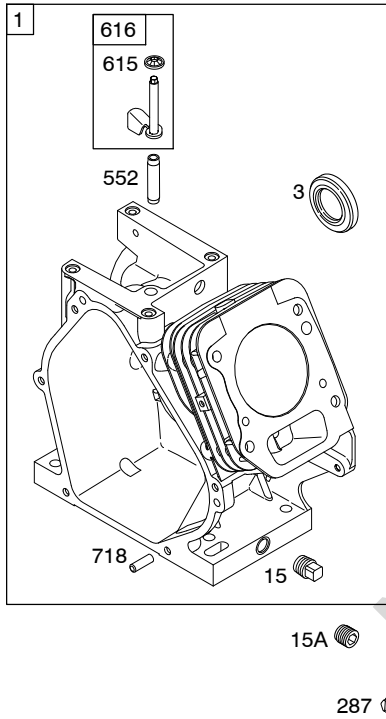
1058 OPERATOR'S MANUAL



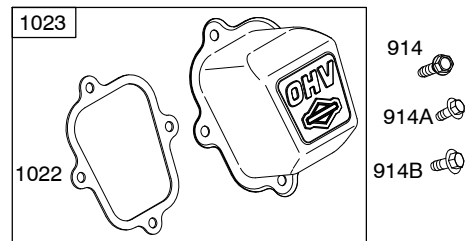
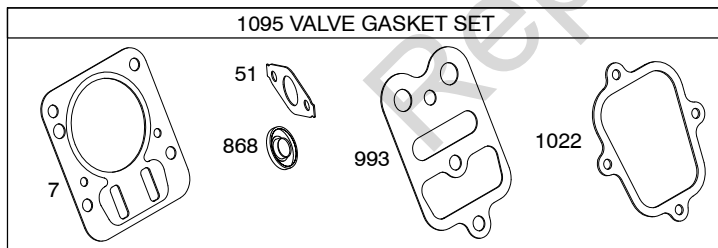
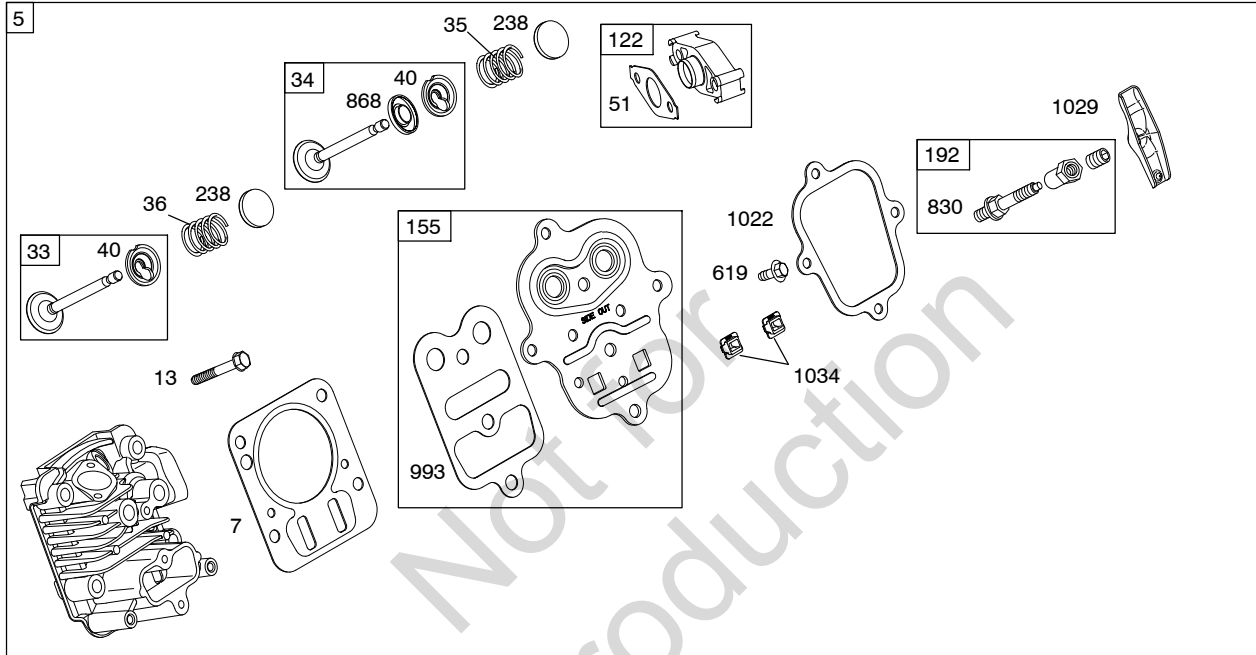
1330 REPAIR MANUAL



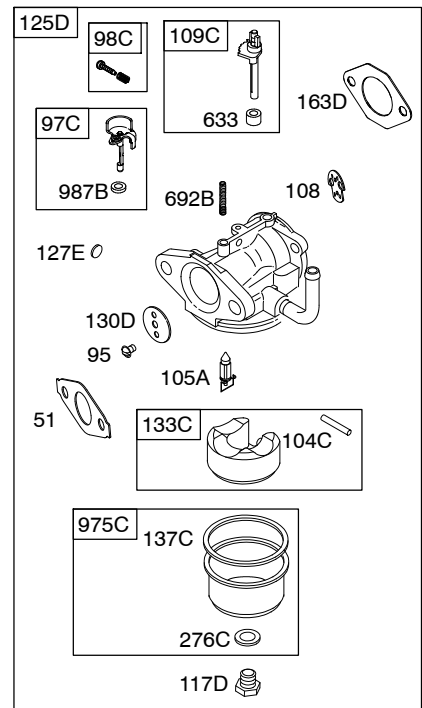
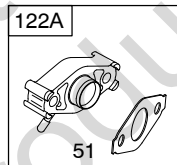
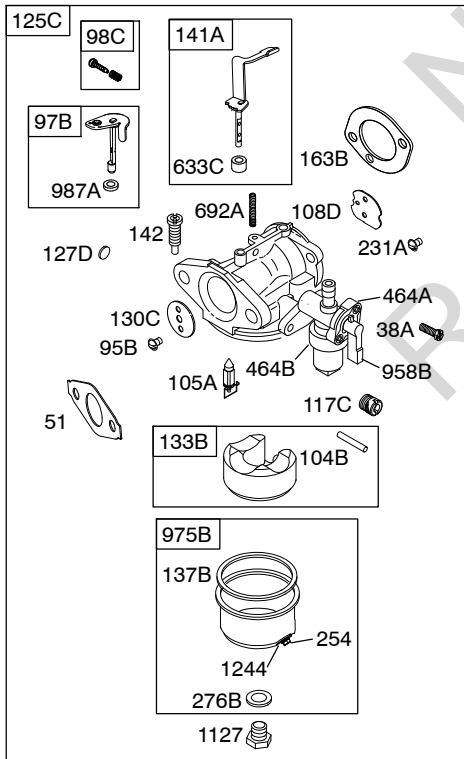
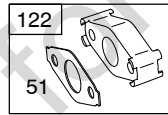
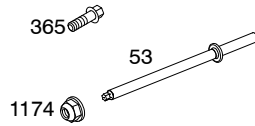
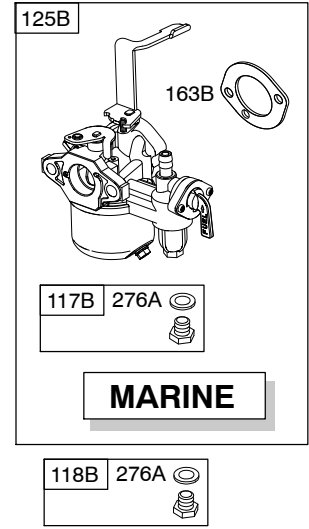
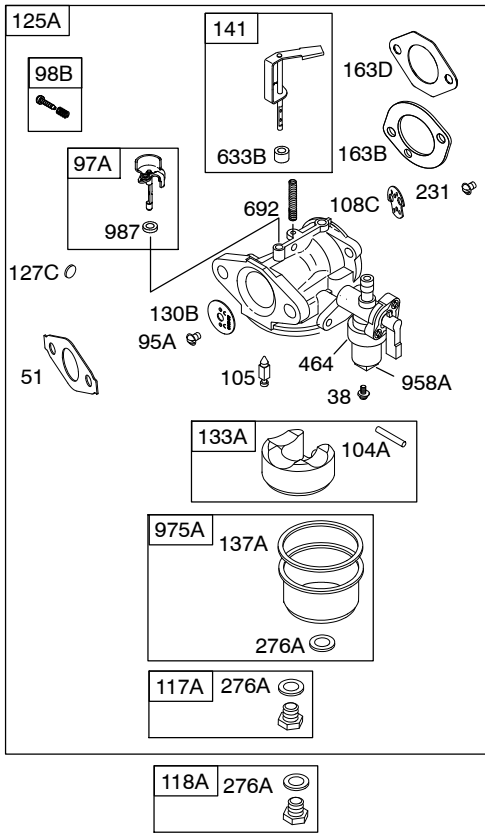
1019 LABEL KIT



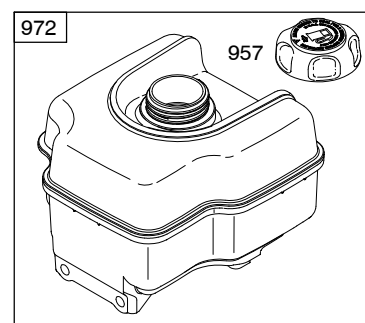
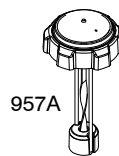
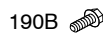
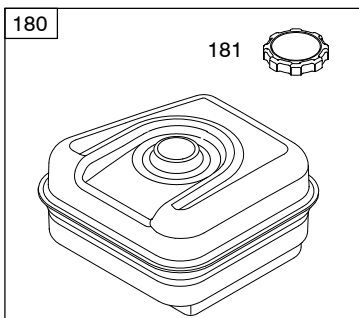
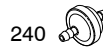
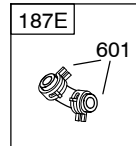
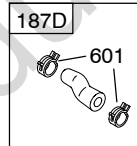
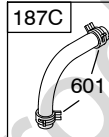
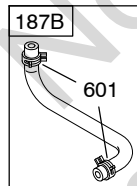
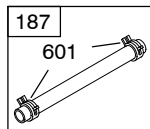
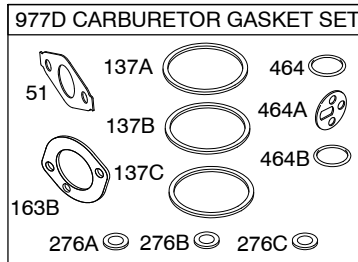
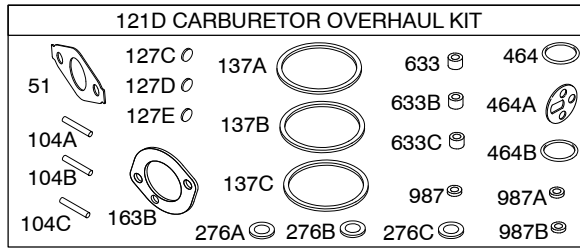
Illustrations cover a range of engines. Parts shown without corresponding text may not be used on your specific engine.



# 122400

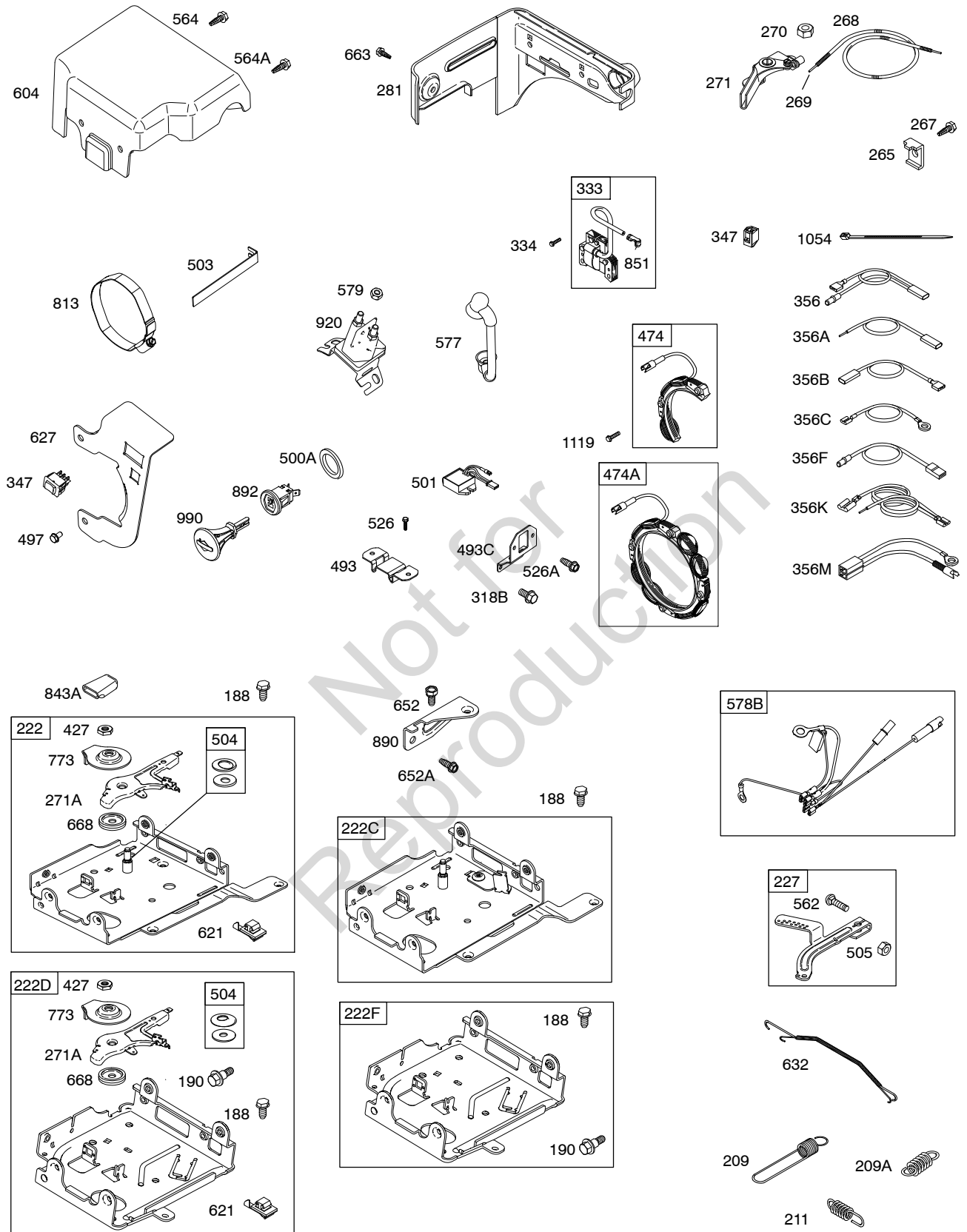


Illustrations cover a range of engines. Parts shown without corresponding text may not be used on your specific engine.  
 3379-4 Assemblies include all parts shown in frames. 02/11/2010

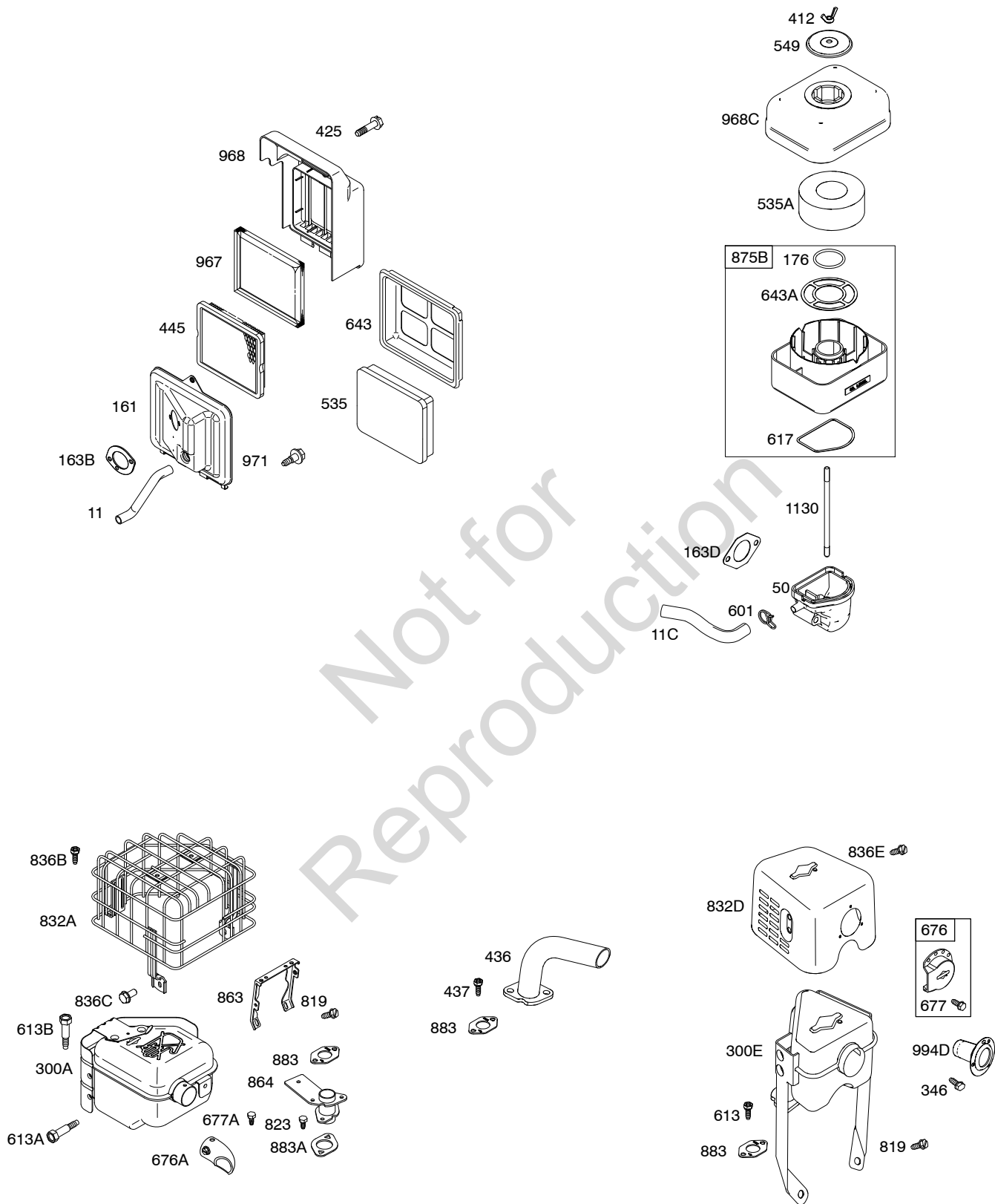


Illustrations cover a range of engines. Parts shown without corresponding text may not be used on your specific engine.  
 3379-5 Assemblies include all parts shown in frames. 02/11/2010

# 122400



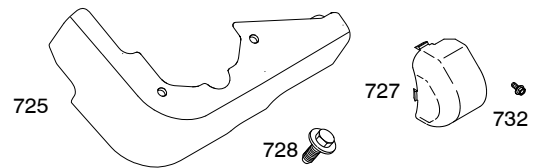
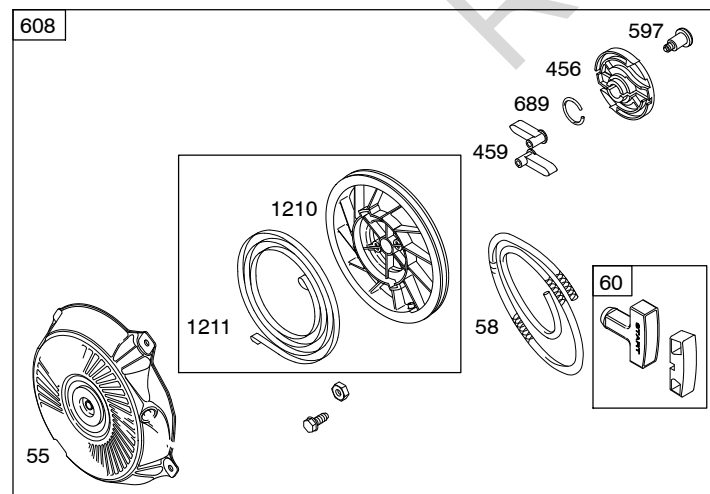
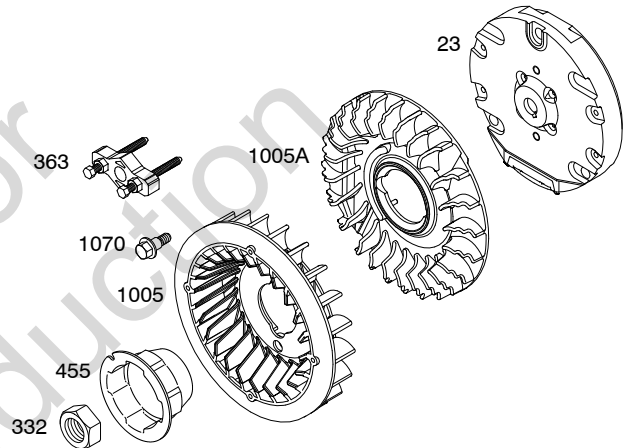
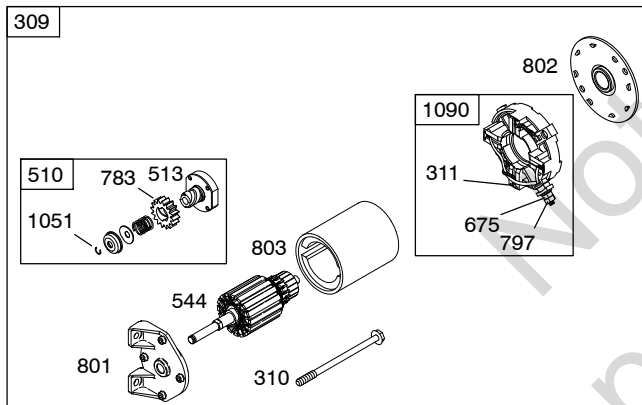
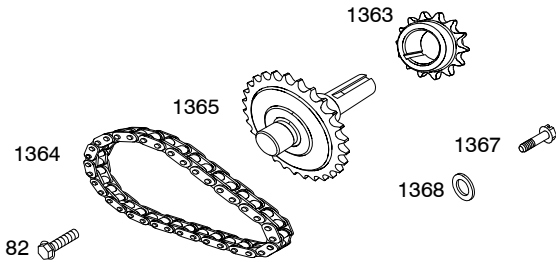
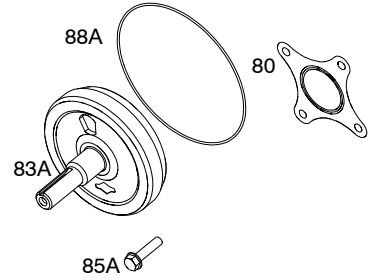
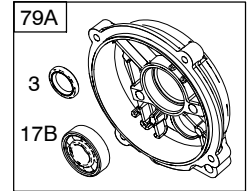
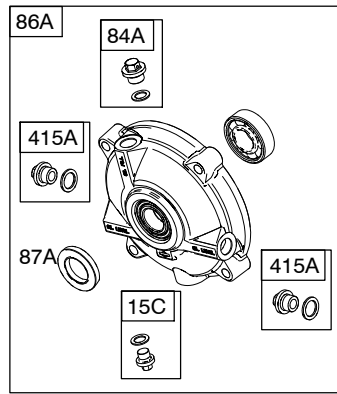
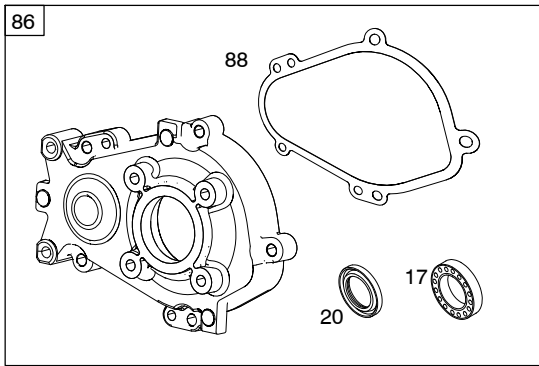
Illustrations cover a range of engines. Parts shown without corresponding text may not be used on your specific engine.  
 3379-6 Assemblies include all parts shown in frames. 02/11/2010



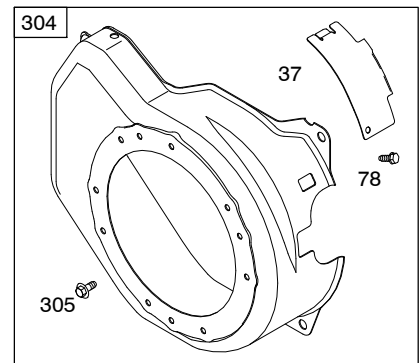
Not for reproduction

Illustrations cover a range of engines. Parts shown without corresponding text may not be used on your specific engine.

# 122400



1036 EMISSIONS LABEL



Illustrations cover a range of engines. Parts shown without corresponding text may not be used on your specific engine.  
 3379-8 Assemblies include all parts shown in frames. 02/11/2010



REF. NO.	PART NO.	DESCRIPTION	REF. NO.	PART NO.	DESCRIPTION	REF. NO.	PART NO.	DESCRIPTION
<b>1</b>	<b>699490</b>	Cylinder Assembly ----- <b>Note</b> ----- <b>793704</b> Cylinder- Assembly Used on Type No(s). 0134, 0168.	<b>16</b>	<b>699835</b>	Crankshaft Used on Type No(s). 0112, 0115, 0151, 0156, 0162, 0163, 0169, 0226, 0227, 0228, 0238.	<b>17</b>	<b>692517</b>	Bearing-Ball
<b>3</b>	<b>*299819S</b>	Seal-Oil				<b>17A</b>	<b>690824</b>	Bearing-Ball
<b>5</b>	<b>797439</b>	Head-Cylinder (Metric) (Used After Code Date 09061700). ----- <b>Note</b> ----- <b>699486</b> Head-Cylinder (SAE) (Used Before Code Date 09061800).				<b>17B</b>	<b>99158</b>	Bearing-Ball
<b>7</b>	<b>∅698210</b>	Gasket-Cylinder Head				<b>18A</b>	<b>790337</b>	Cover-Crankcase Used on Type No(s). 0033, 0100, 0110, 0112, 0113, 0114, 0115, 0118, 0119, 0122, 0123, 0124, 0125, 0127, 0128, 0129, 0132, 0135, 0136, 0137, 0138, 0139, 0146, 0151, 0152, 0156, 0157, 0159, 0160, 0162, 0163, 0167, 0169, 0170, 0173, 0174, 0176, 0178, 0180, 0182, 0194, 0195, 0196, 0203, 0205, 0207, 0210, 0211, 0214, 0223, 0224, 0225, 0226, 0227, 0228, 0230, 0234, 0237, 0242, 0243, 0245, 0249, 0250.
<b>11</b>	<b>812208</b>	Tube-Breather (Flat Panel Air Cleaner)						<b>790329</b> Crankshaft Used on Type No(s). 0111, 0121, 0126, 0130, 0134, 0154, 0181, 0190, 0201, 0208, 0229, 0232, 0235, 0236, 0248.
<b>11C</b>	<b>793418</b>	Tube-Breather (Oil Bath Air Cleaner)						<b>698879</b> Crankshaft Used on Type No(s). 0033, 0110, 0118, 0119, 0122, 0123, 0127, 0128, 0129, 0132, 0176, 0187, 0188, 0205, 0211, 0239, 0240, 0241. <b>699453</b> Crankshaft Used on Type No(s). 0120. <b>793327</b> Crankshaft Used on Type No(s). 0160, 0173, 0174. <b>793677</b> Crankshaft Used on Type No(s). 0195. <b>699441</b> Crankshaft Used on Type No(s). 0199, 0251, 0252. <b>699451</b> Crankshaft Used on Type No(s). 0197. <b>792883</b> Crankshaft Used on Type No(s). 0202.
<b>12</b>	<b>*699485</b>	Gasket-Crankcase						<b>699672</b> Cover- Crankcase Used on Type No(s). 0036, 0150, 0187, 0188, 0199, 0200, 0251, 0252. <b>699804</b> Cover- Crankcase Used on Type No(s). 0202.
<b>13</b>	<b>699482</b>	Screw (Cylinder Head)				<b>18D</b>	<b>790330</b>	Cover-Crankcase Used on Type No(s). 0111, 0121, 0126, 0130, 0134, 0154, 0168, 0181, 0190, 0201, 0208, 0229, 0232, 0235, 0236, 0248.
<b>15</b>	<b>691686</b>	Plug-Oil Drain (Square Head)						<b>20</b> <b>*692550</b> Seal-Oil (PTO Side)
<b>15A</b>	<b>691682</b>	Plug-Oil Drain (Flush)				<b>21</b>	<b>281658S</b>	Cap-Oil Fill
<b>15C</b>	<b>792750</b>	Plug-Oil Drain				<b>22</b>	<b>699478</b>	Screw (Crankcase Cover/ Sump)

★ Included in Engine Gasket Set-Ref. No.358.

● Included in Carburetor Overhaul Kit-Ref. No. 121.

◆ Included in Carburetor Gasket Set-Ref. No. 977.

∅ Included in Valve Gasket Set-Ref. No.1095.

*Illustrations cover a range of engines. Parts shown without corresponding text may not be used on your specific engine.*  
**3379-9** Assemblies include all parts shown in frames. **02/11/2010**

# 122400

REF. NO.	PART NO.	DESCRIPTION	REF. NO.	PART NO.	DESCRIPTION	REF. NO.	PART NO.	DESCRIPTION
23	699488	Flywheel ----- <b>Note</b> ----- <b>699514</b> Flywheel Used on Type No(s). 0121, 0150, 0154, 0156, 0163, 0190, 0201, 0205, 0228, 0229, 0230, 0232, 0236, 0238, 0243, 0248. <b>790328</b> Flywheel Used on Type No(s). 0245.	29	690124	Rod-Connecting (Used Before Code Date 07081600). ----- <b>Note</b> ----- <b>792247</b> Rod- Connecting (.020" Undersize)	40	692194	Retainer-Valve
24	222698S	Key-Flywheel	29B	797436	Rod-Connecting (Metric) (Used After Code Date 09053100). ----- <b>Note</b> ----- <b>795636</b> Rod- Connecting (SAE) (Used After Code Date 07081500 and Before Code Date 09060100).	45	690977	Tappet-Valve
25	792004	Piston Assembly (Standard) ----- <b>Note</b> ----- <b>797820</b> Piston Assembly (.010" Oversize) <b>791325</b> Piston Assembly (.020" Oversize)	30	791584	Dipper-Connecting Rod	46A	696813	Camshaft ----- <b>Note</b> ----- <b>793703</b> Camshaft Used on Type No(s). 0134, 0168.
26	791969	Ring Set (Standard) (Used After Code Date 05093000). ----- <b>Note</b> ----- <b>499631</b> Ring Set (Standard) (Used Before Code Date 05100100). <b>797821</b> Ring Set (.010" Oversize) <b>791324</b> Ring Set (.020" Oversize) (Used After Code Date 05093000). <b>692786</b> Ring Set (.020" Oversize) (Used Before Code Date 05100100).	32	691664	Screw (Connecting Rod)	50	793419	Manifold-Intake
27	691866	Lock-Piston Pin	32A	695759	Screw (Connecting Rod)	51★◆∅	692555	Gasket-Intake
28	499423	Pin-Piston	32B	797437	Screw (Connecting Rod) (Metric) (Used After Code Date 09053100). ----- <b>Note</b> ----- <b>791784</b> Screw (Connecting Rod) (SAE) (Used Before Code Date 09060100).	53	793414	Stud (Carburetor)
			33	499642	Valve-Exhaust	55	691422	Housing-Rewind Starter (Rewind Starter Parts Used With 3MM Diameter Starter Rope) ----- <b>Note</b> ----- <b>791848</b> Housing- Rewind Starter (Rewind Starter Parts Used With 5MM Diameter Starter Rope)
			34	499641	Valve-Intake	58	693389	Rope-Starter (Rewind Starter Parts Used With 3MM Diameter Starter Rope) ----- <b>Note</b> ----- <b>66574</b> Rope-Starter (Rewind Starter Parts Used With 5MM Diameter Starter Rope)
			35	691304	Spring-Valve (Intake)	60	490652	Grip-Starter Rope
			36	691304	Spring-Valve (Exhaust)	65	699851	Screw (Rewind Starter) (Metric) ----- <b>Note</b> ----- <b>699228</b> Screw (Rewind Starter)(SAE)
			37	699661	Guard-Flywheel	78	699205	Screw (Flywheel Guard)
			38	698557	Screw (Shut Off Valve)	79A	792746	Case-Gear Reduction
			38A	797150	Screw (Shut Off Valve)	80	792755	Gasket-Gear Case

★ Included in Engine Gasket Set-Ref. No.358.

● Included in Carburetor Overhaul Kit-Ref. No. 121.

◆ Included in Carburetor Gasket Set-Ref. No. 977.

∅ Included in Valve Gasket Set-Ref. No 1095.

**Illustrations cover a range of engines. Parts shown without corresponding text may not be used on your specific engine.**

REF. NO.	PART NO.	DESCRIPTION	REF. NO.	PART NO.	DESCRIPTION	REF. NO.	PART NO.	DESCRIPTION
82	807421	Screw (Gear Reduction Case)	118A	698552	Jet-Main (High Altitude)	127C	●690727	Plug-Welch
82B	792753	Screw (Gear Reduction Case)			----- Note -----	127D	●797135	Plug-Welch
83A	792756	Shaft-Auxiliary Drive			793416 Jet-Main (High Altitude)	127E	●797633	Plug-Welch
84A	792759	Plug-Breather			Used on Type No(s). 0159, 0162, 0176, 0180, 0181, 0237.	130B	698543	Valve-Throttle
85A	690711	Screw (Gear Cover to Gear Reduction)	118B	793709	Jet-Main (High Altitude)	130C	797154	Valve-Throttle
86	790332	Cover-Gear				130D	797630	Valve-Throttle
86A	795647	Cover-Gear	118C	797141	Jet-Main (High Altitude)	133A	698539	Float-Carburetor
87A	792752	Seal-Gear Reduction				133B	797136	Float-Carburetor
88	790333	Gasket-Gear Reduction Cover	118D	797575	Jet-Main (High Altitude)	133C	797626	Float-Carburetor
88A	792760	Gasket-Gear Reduction Cover	121D	797634	Kit-Carburetor Overhaul	137A	●698538	Gasket-Float Bowl
95	691636	Screw (Throttle Valve)	122	★795643	Spacer-Carburetor	137B	●797137	Gasket-Float Bowl
95A	698544	Screw (Throttle Valve)	122A	695286	Spacer-Carburetor Used on Type No(s). 0210.	137C	●797625	Gasket-Float Bowl
95B	797161	Screw (Throttle Valve)	125A	698558	Carburetor (Used Before Code Date 09030100).	141	698545	Kit-Choke Shaft
97A	698542	Shaft-Throttle			----- Note -----			----- Note -----
97B	797153	Shaft-Throttle			793411 Carburetor Used on Type No(s). 0159, 0162, 0176, 0180, 0181, 0237.	141A	797158	Kit-Choke Shaft
97C	797628	Shaft-Throttle			793711 Carburetor Used on Type No(s). 0160, 0229, 0232, 0248.	142	797151	Nozzle-Carburetor
98B	698551	Kit-Idle Speed				146	690979	Key-Timing
98C	797156	Kit-Idle Speed						----- Note -----
104A	●698536	Pin-Float Hinge						790943 Key-Timing Used on Type No(s). 0111, 0121, 0126, 0130, 0134, 0154, 0181, 0190, 0201, 0208, 0229, 0232, 0235, 0236, 0248.
104B	●797138	Pin-Float Hinge	125B	793707	Carburetor (Not Serviced Separately, Order Replacement Carburetor)	155	797442	Plate-Cylinder Head (Metric) (Used After Code Date 09061700).
104C	●797622	Pin-Float Hinge			Used on Type No(s). 0134, 0168.			----- Note -----
105	698537	Valve-Float Needle	125C	796447	Carburetor (Used After Code Date 09022800).			698214 Plate-Cylinder Head (SAE) (Used Before Code Date 09061800).
105A	797139	Valve-Float Needle						
108	692567	Valve-Choke	125D	797573	Carburetor Used on Type No(s). 0241, 0242.			
108C	698546	Valve-Choke						
108D	797159	Valve-Choke						
109C	790624	Shaft-Choke						
117A	698666	Jet-Main (Standard)						
		----- Note -----						
		793415 Jet-Main (Standard) Used on Type No(s). 0159, 0162, 0176, 0180, 0181, 0237.						
117B	793708	Jet-Main (Standard)						
117C	797140	Jet-Main (Standard)						
117D	797574	Jet-Main (Standard)						

★ Included in Engine Gasket Set-Ref. No.358.

● Included in Carburetor Overhaul Kit-Ref. No. 121.

◆ Included in Carburetor Gasket Set-Ref. No. 977.

⊗ Included in Valve Gasket Set-Ref. No 1095.

*Illustrations cover a range of engines. Parts shown without corresponding text may not be used on your specific engine.*

# 122400

REF. NO.	PART NO.	DESCRIPTION	REF. NO.	PART NO.	DESCRIPTION	REF. NO.	PART NO.	DESCRIPTION
161	699207	Base-Air Cleaner (Metal) (Flat Panel Air Cleaner)	188	699479	Screw (Control Bracket)	222	699589	Bracket-Control (Used Before Code Date 07030100).
163B★◆696024		Gasket-Air Cleaner (Flat Panel Air Cleaner)	190	699220	Screw (Fuel Tank)	222C	699493	Bracket-Control (Used Before Code Date 07030100).
163D	793412	Gasket-Air Cleaner (Oil Bath Air Cleaner)	190B	795047	Screw (Fuel Tank) (Used After Code Date 08051100).	222D	795669	Bracket-Control (Used With Metal Fuel Tank)
170	699818	Stud (Crankcase Cover)			----- Note ----- 699839 Screw (Fuel Tank) (Used Before Code Date 08051200).			(Used After Code Date 08051100).
176	793441	Seal-O Ring (Air Cleaner Base)	192	797440	Adjuster-Rocker Arm (Metric) (Used After Code Date 09061700).			----- Note ----- 793107 Bracket- Control (Used With Metal Fuel Tank)
180	795832	Tank-Fuel (Metal) (Used After Code Date 08051100).			----- Note ----- 694543 Adjuster- Rocker Arm (SAE) (Used Before Code Date 09061800).			(Used After Code Date 07022800 and Before Code Date 08051200).
		----- Note ----- 794640 Tank-Fuel (Metal) (Used After Code Date 07050800 and Before Code Date 08051200).	209	692571	Spring-Governor ----- Note ----- 693206 Spring- Governor Used on Type No(s). 0033, 0119, 0122, 0128, 0129, 0132, 0160, 0169, 0195, 0197, 0199, 0229, 0232, 0248.			793107 Bracket- Control (Used With Plastic Fuel Tank) (Used After Code Date 08051100).
		791598 Tank-Fuel (Metal) (Used Before Code Date 07050900).			693710 Spring- Governor Used on Type No(s). 0150.	222F	795668	Bracket-Control (Used With Metal Fuel Tank) (Used After Code Date 08051100).
181	794641	Cap-Fuel Tank (Metal) (Used After Code Date 07050800).	209A	691278	Spring-Governor			----- Note ----- 793100 Bracket- Control (Used With Metal Fuel Tank)
		----- Note ----- 699840 Cap-Fuel Tank (Metal) (Used Before Code Date 07050900).	211	692069	Spring-Governor Idle			(Used After Code Date 07022800 and Before Code Date 08051200).
187	791745	Line-Fuel (Cut to Required Length)	219	693578	Gear-Governor			793100 Bracket- Control (Used With Plastic Fuel Tank)
187B	791874	Line-Fuel (Molded)	220	691724	Washer (Governor Gear)			(Used After Code Date 08051100).
187C	797184	Line-Fuel (Molded)						
187D	795046	Line-Fuel (Molded)						
187E	797183	Line-Fuel (Molded)						

★ Included in Engine Gasket Set-Ref. No.358.

● Included in Carburetor Overhaul Kit-Ref. No. 121.

◆ Included in Carburetor Gasket Set-Ref. No. 977.

⊘ Included in Valve Gasket Set-Ref. No 1095.

**Illustrations cover a range of engines. Parts shown without corresponding text may not be used on your specific engine.**

REF. NO.	PART NO.	DESCRIPTION	REF. NO.	PART NO.	DESCRIPTION	REF. NO.	PART NO.	DESCRIPTION
227	692573	Lever-Governor Control	300A	699231	Muffler	356	693651	Wire-Stop
231	690718	Screw (Choke Valve)	300E	791595	Muffler	356A	692390	Wire-Stop
231A	797160	Screw (Choke Valve)	304	699598	Housing-Blower	356B	692602	Wire-Stop
238	691300	Valve-Cap	305	699481	Screw (Blower Housing)			----- Note -----
240	298090S	Filter-Fuel	306	693610	Shield-Cylinder			797907 Wire-Stop
		----- Note -----	307	699483	Screw (Cylinder Shield)			Used on Type No(s). 0248.
		394358S Filter-Fuel	309	694504	Motor-Starter	356C	695630	Wire-Stop
		Used on Type No(s). 0241, 0242.	310	690323	Screw (Starter Motor)	356F	697397	Wire-Stop
254	797145	Drain-Carburetor Bowl	311	497608	Brush Set	356K	791765	Wire-Stop
265	691024	Clamp-Casing	318B	793567	Screw (Mounting Bracket)	356M	792609	Wire-Stop
267	699492	Screw (Casing Clamp)	332	792723	Nut (Flywheel)	357	692191	Key-Drive Pulley
268	691025	Casing-Control Wire (Cut to Required Length)	333	695711	Armature-Magneto	358	791797	Gasket Set-Engine
269	691026	Wire-Control (Cut to Required Length)	334	699477	Screw (Magneto Armature)	363	19203	Puller-Flywheel
270	691027	Nut (Control Wire Casing)	337	491055S	Plug-Spark (Resistor)	364	695693	Terminal-Oil Plug
271	691028	Lever-Control			----- Note -----	365	699484	Screw (Carburetor)
271A	694256	Lever-Control			691043 Plug-Spark (EMS)	383	19374S	Wrench-Spark Plug
276A	698540	Washer-Sealing	346	699203	Screw (Spark Arrestor) (Metric)	412	793443	Nut (Air Cleaner Cover)
276B	797147	Washer-Sealing			----- Note -----	415	693463	Plug
276C	797632	Washer-Sealing			690661 Screw (Spark Arrestor) (SAE)	415A	792749	Plug
281	793133	Panel-Control (Used After Code Date 07022800).	347	698338	Switch-Rocker	425	699208	Screw (Air Cleaner Cover)
		----- Note -----			----- Note -----	427	798458	Nut (Control Bracket) (Metric)
		790261 Panel-Control (Used Before Code Date 07030100).			697854 Switch-Rocker			----- Note -----
		Used on Type No(s). 0136, 0150, 0197, 0199, 0200, 0202, 0251, 0252.			Used on Type No(s). 0033, 0100, 0110, 0112, 0114, 0118, 0119, 0122, 0123, 0125, 0136, 0146, 0150, 0154, 0157, 0162, 0167, 0170, 0178, 0190, 0182, 0187, 0188, 0195, 0196, 0205, 0207, 0211, 0226, 0238, 0239, 0240, 0242, 0243, 0245.	436	793706	Manifold-Exhaust
		793133 Panel-Control (Used on Type No(s). 0121, 0156, 0163, 0201, 0229, 0232, 0236, 0245, 0248.			790949 Switch-Rocker (Used on Type No(s). 0201.	437	791972	Screw (Exhaust Manifold)
		795565 Panel-Control (Used on Type No(s). 0241, 0242.				445	491588S	Filter-Air Cleaner Cartridge (Flat Panel)
286	794185	Module-Oil Sensor				455	692591	Cup-Flywheel
287	699629	Screw (Dipstick Tube)				456	692299	Plate-Pawl Friction
						459	281505S	Pawl-Ratchet
						464	698550	Seal-O Ring (Fuel Shut Off Valve)
						464A	797148	Seal-O Ring (Fuel Shut Off Valve)
						464B	797155	Seal-O Ring (Fuel Shut Off Valve)

★ Included in Engine Gasket Set-Ref. No.358.

● Included in Carburetor Overhaul Kit-Ref. No. 121.

◆ Included in Carburetor Gasket Set-Ref. No. 977.

⊘ Included in Valve Gasket Set-Ref. No 1095.

*Illustrations cover a range of engines. Parts shown without corresponding text may not be used on your specific engine.*

# 122400

REF. NO.	PART NO.	DESCRIPTION	REF. NO.	PART NO.	DESCRIPTION	REF. NO.	PART NO.	DESCRIPTION
474	695730	Alternator ----- Note ----- 793640 Alternator Used on Type No(s). 0150. 695466 Alternator Used on Type No(s). 0229, 0232, 0248, 0251. 790320 Alternator Used on Type No(s). 0245.	549	793434	Washer (Air Cleaner Cover)	633	●693867	Seal-Choke/Throttle Shaft
474A	698314	Alternator	552	692346	Bushing-Governor Crank	633B	●690998	Seal-Choke/Throttle Shaft
493	691177	Bracket-Mounting	562	691119	Bolt (Governor Control Lever)	633C	●797157	Seal-Choke/Throttle Shaft
493C	699048	Bracket-Mounting	564	699491	Screw (Control Cover)	635	692076	Boot-Spark Plug
497	691693	Screw (Stop Switch Bracket)	564A	699206	Screw (Control Cover)	635A	692927	Boot-Spark Plug
500A	792613	Washer (Key Switch)	577	690795	Cable-Starter	643	696264	Retainer-Air Filter
501	698315	Regulator ----- Note ----- 691185 Regulator Used on Type No(s). 0229, 0232. 790325 Regulator Used on Type No(s). 0245.	578B	790948	Wire Assembly	643A	793424	Retainer-Air Filter
503	691532	Strap-Starter	579	691029	Nut (Starter Cable)	652	699755	Screw (Support Bracket)
504	694254	Washer Set-Friction	597	691696	Screw (Pawl Friction Plate)	652A	699481	Screw (Support Bracket)
505	691251	Nut (Governor Control Lever)	601	791850	Clamp-Hose	663	699206	Screw (Control Panel)
510	499308	Drive-Starter	604	697326	Cover-Control	668	694257	Spacer
513	692024	Drive-Clutch	608	693394	Starter-Rewind (Rewind Starter Parts Used With 3MM Diameter Starter Rope)	675	691261	Washer (Brush Retainer)
522	697689	Plug-Dipstick/Fill			----- Note ----- 791670 Starter- Rewind (Rewind Starter Parts Used With 5MM Diameter Starter Rope)	676	393760	Deflector-Muffler
523	693618	Dipstick	613	699209	Screw (Muffler)	676A	697816	Deflector-Muffler
524	281370S	Seal-Dipstick Tube	613A	699481	Screw (Muffler)	677	699203	Screw (Muffler Deflector) (Metric)
526	690297	Screw (Regulator)	613B	697812	Screw (Muffler)			----- Note ----- 690661 Screw (Muffler Deflector) (SAE)
526A	690326	Screw (Regulator)	615	692576	Retainer-Governor Shaft	677A	699776	Screw (Muffler Deflector)
535	696263	Filter-Air Cleaner Foam	616	692547	Crank-Governor	689	691855	Spring-Friction
535A	792472	Filter-Air Cleaner Foam	617	793440	Seal-O Ring (Intake Manifold)	692	690572	Spring-Detent
544	692966	Armature-Starter	619	699481	Screw (Cylinder Head Plate)	692A	797134	Spring-Detent
			621	692310	Switch-Stop	692B	797624	Spring-Detent
			627	792608	Bracket-Stopswitch	697	793567	Screw (Starter Motor)
			632	693408	Spring/Link- Mechanical Governor	718	690959	Pin-Locating
						725	792874	Shield-Heat
						727	698039	Cover-Starter Drive
						728	699632	Screw (Heat Shield)
						732	699200	Screw (Starter Drive Cover)
						741	695087	Gear-Timing
						742	692564	Retainer-E Ring
						746	790278	Gear-Idler
						773	694258	Retainer
						783	692353	Gear-Pinion

★ Included in Engine Gasket Set-Ref. No.358.

● Included in Carburetor Overhaul Kit-Ref. No. 121.

◆ Included in Carburetor Gasket Set-Ref. No. 977.

⊘ Included in Valve Gasket Set-Ref. No 1095.

**Illustrations cover a range of engines. Parts shown without corresponding text may not be used on your specific engine.**

REF. NO.	PART NO.	DESCRIPTION	REF. NO.	PART NO.	DESCRIPTION	REF. NO.	PART NO.	DESCRIPTION
797	691029	Nut (Brush Retainer)	868	★ <del>692044</del>	Seal-Valve	968	692584	Cover-Air Cleaner (Flat Panel)
799	699202	Screw (Oil Sensor)	875B	793423	Base-Air Cleaner (Oil Bath Air Cleaner)			----- Note -----
801	694482	Cap-Drive	883	★691893	Gasket-Exhaust			698811 Cover-Air Cleaner (Flat Panel)
802	691286	Cap-End	883A	★692237	Gasket-Exhaust			Used on Type No(s). 0033, 0118, 0119, 0132, 0134, 0160, 0168, 0173, 0174, 0205, 0211, 0229, 0232, 0245, 0248.
803	693757	Housing-Starter	890	790203	Bracket-Support	968C	793425	Cover-Air Cleaner (Oil Bath Air Cleaner)
813	690635	Clamp	892	791944	Switch-Key	971	690370	Screw (Air Cleaner Base To Carburetor)
819	699233	Screw (Muffler Bracket)	914	699481	Screw (Rocker Cover) (Bottom)	972	694260	Tank-Fuel
823	699209	Screw (Muffler Adapter)	914A	797444	Screw (Rocker Cover) (Top)(Metric) (Used After Code Date 09061700).	975A	698541	Bowl-Float
830	797441	Stud-Rocker Arm (Metric) (Used After Code Date 09061700).			----- Note -----	975B	797142	Bowl-Float
		----- Note -----			692557 Screw (Top)(SAE) (Used Before Code Date 09061800).	975C	797631	Bowl-Float
		694544 Stud-Rocker Arm (SAE) (Used Before Code Date 09061800).	914B	797444	Screw (Rocker Cover) (Center)(Metric) (Used After Code Date 09061700).	977D	797635	Gasket Set-Carburetor
832A	697818	Guard-Muffler			----- Note -----	987	698556	Seal-Throttle Shaft
832D	796240	Guard-Muffler (Used After Code Date 08062400).			697551 Screw (Rocker Cover) (Center)(SAE) (Used Before Code Date 09061800).	987A	797152	Seal-Throttle Shaft
		----- Note -----			97951 Screw (Rocker Cover) (Center)(SAE) (Used Before Code Date 09061800).	987B	797629	Seal-Throttle Shaft
		791600 Guard-Muffler (Used Before Code Date 08062500).	920	691656	Solenoid-Starter	993	∅694088	Gasket-Cylinder Head Plate
836B	699209	Screw (Muffler Guard)	951A	797592	Lever-Choke	994D	793985	Arrester-Spark
836C	699234	Screw (Muffler Guard)	957	792647	Cap-Fuel Tank (Fresh Start)	990	695756	Key Set
836E	699755	Screw (Muffler Guard)			----- Note -----	1005	692592	Fan-Flywheel
842	691031	Seal-O Ring (Dipstick Tube)			795027 Cap-Fuel Tank (Text Free)	1005A	794273	Fan-Flywheel
843A	695588	Sleeve-Lever	957A	698109	Cap-Fuel Tank	1019	694852	Kit-Label
847	693617	Dipstick/Tube Assembly	958	698180	Valve-Fuel Shut Off	1022	★ <del>691890</del>	Gasket-Rocker Cover
851	493880S	Terminal-Spark Plug	958A	698549	Valve-Fuel Shut Off	1023	791585	Cover-Rocker Arm
863	699229	Bracket-Muffler	958B	797149	Valve-Fuel Shut Off	1026	790287	Rod-Push
864	699232	Adapter-Muffler	967	493537S	Filter-Pre Cleaner (Flat Panel)	1029	797443	Arm-Rocker (Metric) (Used After Code Date 09061700).
					----- Note -----			691230 Arm-Rocker (SAE) (Used Before Code Date 09061800).
						1034	691343	Guide-Push Rod

★ Included in Engine Gasket Set-Ref. No.358.

● Included in Carburetor Overhaul Kit-Ref. No. 121.

◆ Included in Carburetor Gasket Set-Ref. No. 977.

∅ Included in Valve Gasket Set-Ref. No 1095.

*Illustrations cover a range of engines. Parts shown without corresponding text may not be used on your specific engine.*

# 122400

REF. NO.	PART NO.	DESCRIPTION	REF. NO.	PART NO.	DESCRIPTION	REF. NO.	PART NO.	DESCRIPTION
1036		Label-Emissions (Available From An Authorized Briggs & Stratton Sevice Dealer)	1210	498144	Pulley/Spring Assembly (Pulley) (Rewind Starter Parts Used With 3MM Diameter Starter Rope)	1244	797143	Seal-O Ring (Carburetor Bowl Drain)
1051	691265	Ring-Retaining				1305	699691	Screw (Oil Sensor Module)
1052	790141	Sensor-Oil				1319	794467	Label-Warning
1054	280275	Cable-Tie			----- Note -----	1330	272147	Repair Manual
1058	277040	Operator's Manual			791849 Pulley/Spring Assembly (Pulley) (Rewind Starter Parts Used With 5MM Diameter Starter Rope)	1345	699887	Filter-Filler Neck
		----- Note ----- 276339 Operator's Manual				1345A	792917	Filter-Filler Neck
1070	699201	Screw (Flywheel Fan)				1363	790334	Sprocket-Gear Reduction
1090	691293	Retainer-Brush				1364	790335	Chain-Gear Reduction
1095	791798	Gasket Set-Valve	1211	498144	Pulley/Spring Assembly (Spring) (Rewind Starter Parts Used With 3MM Diameter Starter Rope)	1365	790336	Shaft-Output Gear Reduction
1119	699772	Screw (Alternator)				1367	690936	Screw (Gear Reduction Sprocket)
1127	797146	Screw (Float Bowl To Carburetor Body)			----- Note -----	1368	690301	Washer (Gear Reduction Sprocket)
1130	793438	Stud (Intake Manifold)			791849 Pulley/Spring Assembly (Spring) (Rewind Starter Parts Used With 5MM Diameter Starter Rope)			
1174	692055	Nut (Intake Manifold)						

★ Included in Engine Gasket Set-Ref. No.358.

● Included in Carburetor Overhaul Kit-Ref. No. 121.

◆ Included in Carburetor Gasket Set-Ref. No. 977.

∅ Included in Valve Gasket Set-Ref. No 1095.

**Illustrations cover a range of engines. Parts shown without corresponding text may not be used on your specific engine.**

3379-16

Assemblies include all parts shown in frames.

02/11/2010



Not for  
Reproduction

Not for  
Reproduction

Not for  
Reproduction

Not for  
Reproduction

