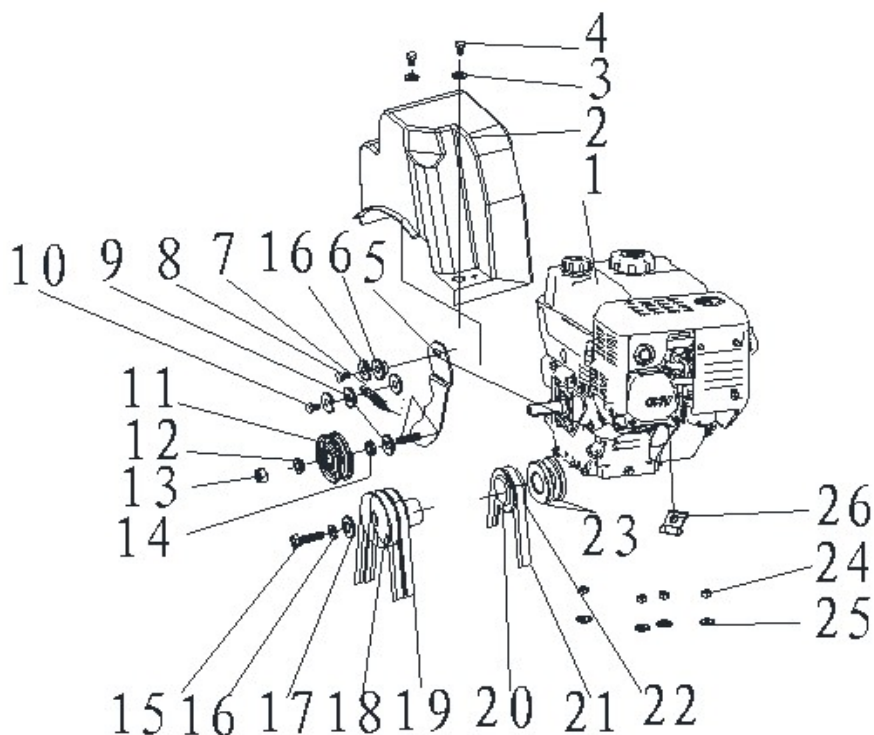


MV 26530 RET Spare parts list

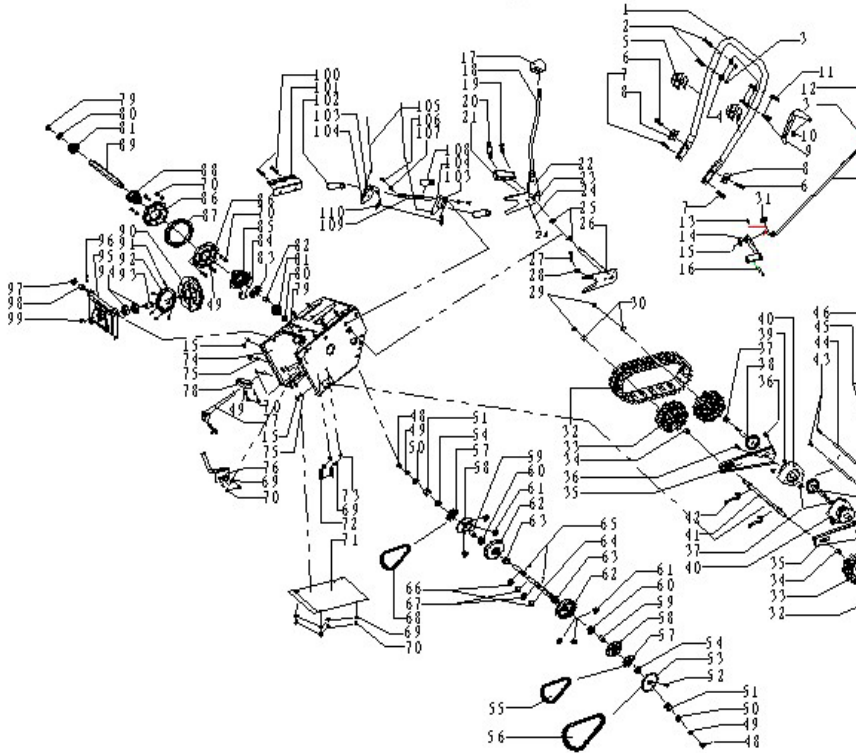
Engine assembly



No.	Code No.	English name	Qty
1	LC185	Engine	1
2	SX-11-180	Pulley cover	1
3	FB-6*16*1.5	Flat washer	2
4	HS-6*12	Hexagonal screw	2
5	SX-11-173	Small tension plate	1
6	SJ-046	Small tension plate washer	1
7	SJ-035-1	SJ spring 3	1
8	HS-8*20	Hexagonal screw	1
9	FB-8*16*1.2	Flat washer	2
10	HS-8*20	Hexagonal screw	1
11	SX-11-170	Small tension wheel set(ball be	1
12	SX-11-170B	Sleeve	1
13	NHLN-8	Non metal outside six angle loc	1
14	SJ-008C	SJ washer	1
15	HS-8*35	Hexagonal screw	1
16	SW-8	Spring washer	3
17	FB-8*28*3	Flat washer	1
18	SX-11-168A	Main pulley	1
19	LBV4L-930	V belt	2
20	SX-11-168C	Small belt wheel washer	1
21	TB-5M*825	5M synchr-belt	1
22	SX-11-168b	Main synchr-wheel	1
23	FB-25*35*2	Flat washer	2
24	NHLN-10	Non metal outside six angle loc	4
25	FB-10*20*2	Flat washer	4
26	FD-04-62	Cable support bracket	1

MV 26530 RET Spare parts list

Driving assembly



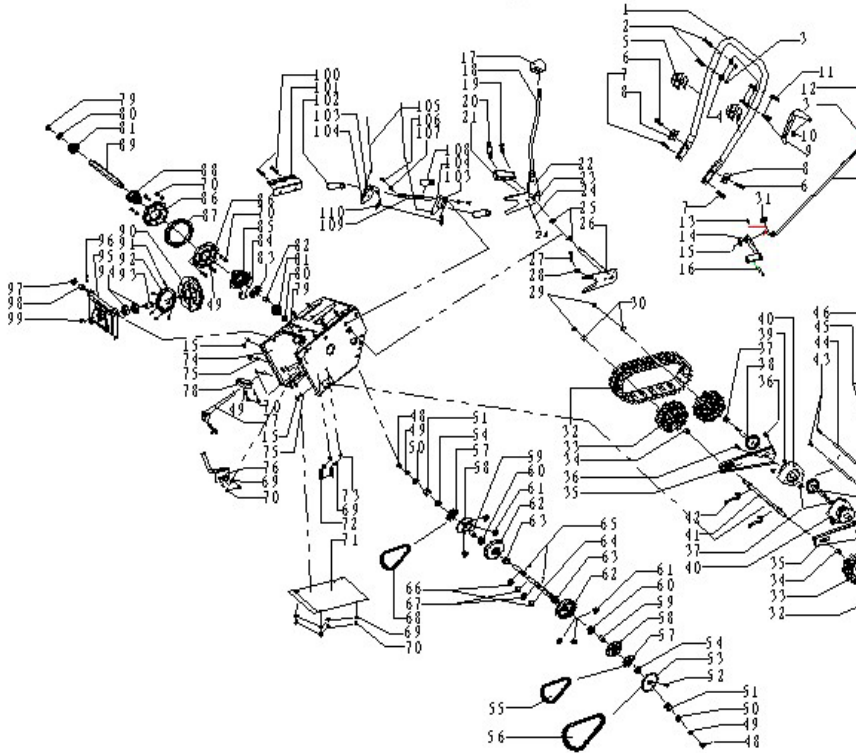
No.	Code No.	English name	Qty
1	SX-11-039	Handle underneath tube	1
2	NS-L8*40	Blade bolt	2
3	HFN-8	Flange nut	5
4	BG-8	Blade gasket	4
5	SSG5580A.23-01	28 wire clip	2
6	HFB-8*40	Hexagonal flange bolt	2
7	HFB-8*20	Hexagonal flange bolt	2
8	SJ-028	SJ handrail gasket	2
9	NF-20	Chute rocker holder-3	1
10	SJ-239	Helical tooth bracket rocker ga	1
11	HFB-8*45	Hexagonal flange bolt	2
12	GPP6562C-01-08	Gears-engaging joint lever	1
13	CP-3.2*29	Split pin	1
14	STG11(13)70(10)AE-02-02-03	GPP shifting fork	1
15	FB-8*16*1.2	Gasket	7
16	FRP-6*30	Spring pin	1
17	SX-11-380	Handgrip ball(M12 screw)	1
18	SX-11-041	Fork rod-3	1
19	HFB-8*20	Hexagonal flange screw	1
20	SX-11-224	Fork rod bolt	1
21	SX-11-042	Block	1
22	SX-11-192	Fork rod-1	1
23	SX-11-193	Fork rod plate	1
24	NHLN-8	Non metal outside six angle lo	2
25	SX-11-184	Hexagonal shaft sleeve	2
26	SX-11-047-1A	Left fork rod	1
27	HS-12*60	Hexagonal bolt	1
28	NHLN-12-1	Hexagonal screw	2

29	NHLN-12-1	Non metal outside six angle lo	4
30	FB-12*35*2	Flat washer	4
31	GPP6562C-01-09	Adjusting spring 1	1
32	SX-11-045	Track	2
33	SX-11-048	Belt wheel	4
34	SX-11-058	Front shaft sleeve	2
35	SX-11-051	Plate 3	2
36	SX-11-242	Track support bolt	4
37	SX-11-049	Shaft sleeve 3	4
38	SX-11-055B	Rear chainwheel welding set	2
39	NHLN-8	Non metal outside six angle lo	4
40	SX-11-052	Rear wheel shaft support	2
41	SX-11-054	Shaft 0	1
42	SX-11-053	Hook	2
43	HFB-8*20	Hexagonal flange bolt	4
44	SX-11-248	Rear wheel bracket support	2
45	HFB-8*12	Hexagonal flange bolt	4
46	NF-001-17	Wire holder	1
47	SX-11-254	Rear cover plate 2	1
48	HS-6*20	Hexagonal bolt	2
49	SW-6	Spring washer	10
50	FB-6*23*3	Flat washer	2
51	SX-11-059	Sleeve 2	2
52	FK-A5*22	Flat key	1
53	SX-11-061A	Chain wheel 28teeth	1
54	FB-28*15*2	Flat washer	2
55	C-08A-28	Chain	1
56	C-08A-38	Chain	1
57	SX-11-062	Cluth 2-8	2
58	SX-11-063	Cluth 2-6	2
59	SX-11-064	Cluth 2-9	2
60	SX-11-067	Cluth 2-2	2
61	SX-11-066	Cluth 2-3	6
62	SX-11-068	Cluth 2-4	2
63	SX-11-069	Cluth 2-5	2
64	SX-11-070	Cluth 2-1	1
65	WK-3*3.7*9.5	Woodruff key	2
66	SR-14	Cluth jump ring	2
67	SR-16	Cluth jump ring	2
68	C08A-28	Chain	1
69	FB-6*12*0.7	Flat washer	8
70	HS-6*12	Hexagonal screw	12
71	SX-11-186	Bottom cover plate	1
72	HS-6*35	Hexagonal screw	2
73	HFN-6	Hexagonal flange nut	2
74	SX-11-187	Transmission box	1
75	NHLN-8	Non metal outside six angle lo	9
76	SX-11-149	Pulley mounting plate 1	1
77	GPP6562C-01-13	GPP shifting fork	1
78	SX-11-148	Vertical angle iron block	1
79	HFB-8*16	Hexagonal flange screw	2
80	FB-8*22*2	Flat washer	2
81	KBE-6203	Lock spring deep groove ball b	2
82	SX-11-184	Hexagonal sleeve	1
83	SX-11-183	Chain wheel	1
84	SR-35	Shaft ring	
85	SJ-013B	Gear shift pulley shaft cap	1
86	SJ-013A	Gear shift pulley sleeve gasket	2
87	SJ-013D	Rubber ring	1

88	SJ-013C	Gear wheel	1
89	SX-11-156	Hexagonal gear shift shaft	1
90	SJ-010A	SJ transmission synchronizing wheel	1
91	CHS-6*10	Cross-shaped screw	6
92	SJ-010A-1	SJ transmission synchronizing wheel cap	1
93	SJ-010B	transmission synchronizing wheel shaft	1
94	BE-6203	Deep groove ball bearing	2
95	SJ-007	Belt wheel support	1
96	CP-3*25	Split pin	1
97	FB-13*24*2	Flat washer	1
98	SJ-107	SJ spacer bush	1
99	NHLN-10	Non metal outside six angle lo	1
100	HFB-8*20	Hexagonal flange screw	2
101	SX-11-181	Gears-engaging plate	1
102	SX-11-191	Spacer bush 1	2
103	SX-11-091	Claw	2
104	SX-11-091A	Claw 3	2
105	NF-SX-11-36C	Stepped cluth wire	2
106	HFB-8*12	Hexagonal flange screw	2
107	FB-12*25*2	Flat washer	2
108	SX-11-090	Spacer bush 3	1
109	SX-11-246	Cluth claw shaft	1
110	SX-11-094	Engagegear spring	2

MV 26530 RET Spare parts list

Driving assembly

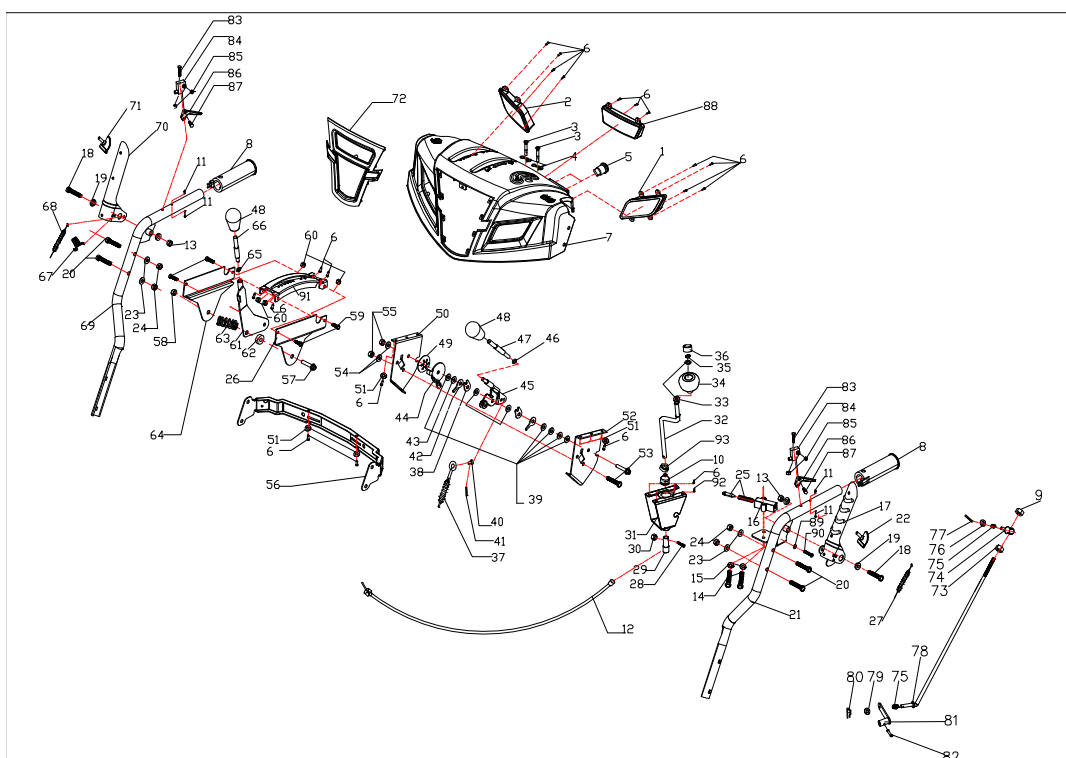


No.	Code No.	English name	Qty
1	SX-11-039	Handle underneath tube	1
2	NS-L8*40	Blade bolt	2
3	HFN-8	Flange nut	5
4	BG-8	Blade gasket	4
5	SSG5580A.23-01	28 wire clip	2
6	HFB-8*40	Hexagonal flange bolt	2
7	HFB-8*20	Hexagonal flange bolt	2
8	SJ-028	SJ handrail gasket	2
9	NF-20	Chute rocker holder-3	1
10	SJ-239	Helical tooth bracket rocker ga	1
11	HFB-8*45	Hexagonal flange bolt	2
12	GPP6562C-01-08	Gears-engaging joint lever	1
13	CP-3.2*29	Split pin	1
14	STG11(13)70(10)AE-02-02-03	GPP shifting fork	1
15	FB-8*16*1.2	Gasket	7
16	FRP-6*30	Spring pin	1
17	SX-11-380	Handgrip ball(M12 screw)	1
18	SX-11-041	Fork rod-3	1
19	HFB-8*20	Hexagonal flange screw	1
20	SX-11-224	Fork rod bolt	1
21	SX-11-042	Block	1
22	SX-11-192	Fork rod-1	1
23	SX-11-193	Fork rod plate	1
24	NHLN-8	Non metal outside six angle lo	2
25	SX-11-184	Hexagonal shaft sleeve	2
26	SX-11-047-1A	Left fork rod	1
27	HS-12*60	Hexagonal bolt	1
28	NHLN-12-1	Hexagonal screw	2

29	NHLN-12-1	Non metal outside six angle lo	4
30	FB-12*35*2	Flat washer	4
31	GPP6562C-01-09	Adjusting spring 1	1
32	SX-11-045	Track	2
33	SX-11-048	Belt wheel	4
34	SX-11-058	Front shaft sleeve	2
35	SX-11-051	Plate 3	2
36	SX-11-242	Track support bolt	4
37	SX-11-049	Shaft sleeve 3	4
38	SX-11-055B	Rear chainwheel welding set	2
39	NHLN-8	Non metal outside six angle lo	4
40	SX-11-052	Rear wheel shaft support	2
41	SX-11-054	Shaft 0	1
42	SX-11-053	Hook	2
43	HFB-8*20	Hexagonal flange bolt	4
44	SX-11-248	Rear wheel bracket support	2
45	HFB-8*12	Hexagonal flange bolt	4
46	NF-001-17	Wire holder	1
47	SX-11-254	Rear cover plate 2	1
48	HS-6*20	Hexagonal bolt	2
49	SW-6	Spring washer	10
50	FB-6*23*3	Flat washer	2
51	SX-11-059	Sleeve 2	2
52	FK-A5*22	Flat key	1
53	SX-11-061A	Chain wheel 28teeth	1
54	FB-28*15*2	Flat washer	2
55	C-08A-28	Chain	1
56	C-08A-38	Chain	1
57	SX-11-062	Cluth 2-8	2
58	SX-11-063	Cluth 2-6	2
59	SX-11-064	Cluth 2-9	2
60	SX-11-067	Cluth 2-2	2
61	SX-11-066	Cluth 2-3	6
62	SX-11-068	Cluth 2-4	2
63	SX-11-069	Cluth 2-5	2
64	SX-11-070	Cluth 2-1	1
65	WK-3*3.7*9.5	Woodruff key	2
66	SR-14	Cluth jump ring	2
67	SR-16	Cluth jump ring	2
68	C08A-28	Chain	1
69	FB-6*12*0.7	Flat washer	8
70	HS-6*12	Hexagonal screw	12
71	SX-11-186	Bottom cover plate	1
72	HS-6*35	Hexagonal screw	2
73	HFN-6	Hexagonal flange nut	2
74	SX-11-187	Transmission box	1
75	NHLN-8	Non metal outside six angle lo	9
76	SX-11-149	Pulley mounting plate 1	1
77	GPP6562C-01-13	GPP shifting fork	1
78	SX-11-148	Vertical angle iron block	1
79	HFB-8*16	Hexagonal flange screw	2
80	FB-8*22*2	Flat washer	2
81	KBE-6203	Lock spring deep groove ball b	2
82	SX-11-184	Hexagonal sleeve	1
83	SX-11-183	Chain wheel	1
84	SR-35	Shaft ring	
85	SJ-013B	Gear shift pulley shaft cap	1
86	SJ-013A	Gear shift pulley sleeve gasket	2
87	SJ-013D	Rubber ring	1

88	SJ-013C	Gear wheel	1
89	SX-11-156	Hexagonal gear shift shaft	1
90	SJ-010A	SJ transmission synchronizing wheel	1
91	CHS-6*10	Cross-shaped screw	6
92	SJ-010A-1	SJ transmission synchronizing wheel cap	1
93	SJ-010B	transmission synchronizing wheel shaft	1
94	BE-6203	Deep groove ball bearing	2
95	SJ-007	Belt wheel support	1
96	CP-3*25	Split pin	1
97	FB-13*24*2	Flat washer	1
98	SJ-107	SJ spacer bush	1
99	NHLN-10	Non metal outside six angle lo	1
100	HFB-8*20	Hexagonal flange screw	2
101	SX-11-181	Gears-engaging plate	1
102	SX-11-191	Spacer bush 1	2
103	SX-11-091	Claw	2
104	SX-11-091A	Claw 3	2
105	NF-SX-11-36C	Stepped cluth wire	2
106	HFB-8*12	Hexagonal flange screw	2
107	FB-12*25*2	Flat washer	2
108	SX-11-090	Spacer bush 3	1
109	SX-11-246	Cluth claw shaft	1
110	SX-11-094	Engagegear spring	2

一、Steering panel



序号	级别	图号及代号	编码	English	Q ty
1	2		13.1.10.01.003	Left head lamp	1
2	2		13.1.10.01.004	Right head lamp	1
3	2	NJ-01	WCM00000S05018	shear pin	2
4	2	NJ-02	WCY00000S05019	pin buckle	2
5	2	SA-011-2015	13.1.10.04.002	Switch FT 22	2
6	2	SH-4.2*16	WBZSH048012002	Cross recessed pan head tapping screws	26
7	2		05.1.10.010	Panel	1
8	2	SX-11-008	ZZSTPRS22037	warm handel sleeve	2
9	2	NHLN-8	WBZHL000008001	lock nut	1
10	2	ZY-106	XQT000S48003	rubber sleeve 1	1
11	2	BE-4*12	WBZMD004012001	rebite	4
12	2	2015-011		flexible shaft	1
13	2	NHLN-8	WBZHL000008001	lock nut	2
14	2	HS-6*18	WBZHS006018001	bolt	2
15	2	SW-6	WBZSW000006001	spring gasket	2
16	2	2012-KEY-04	WFJ00000S26109	Self-locking mounting	1
17	2	2011-SX-11-031-4	ZWX000S26053	left handle welding	1
18	2	HS-8*55	WBZHS008055001	bolt	2
19	2	SJ-046-1	WFJ00000S05074	Small tensioning pad	4
20	2	HFB-8*40	WBZHF008040001	flange bolt	4
21	2	NF-002-L-B	ZPS000S26056	left handel upper tube welding	1
	3	NF-002A(L)	ZJGS00026057WS	handel upper tube	1
	3	2011-KEY-01	ZHJ000S26058WS	interlock plate welding assembly	1
	3	2011-KEY-01-02	ZJG000S26059WS	left clutch fixed plate	1
	3	2011-KEY-01-03	ZJG000S26060WS	Clutch mounting	1
	3	SJ-236	ZJG000S16037WS	wire block	1
22	2	SJ-047-1	ZZS0PUS05086	SJ rubber cap	2
23	2	FB-8*16*1.2	WBZPD081612901	gasket	4
24	2	NHLN-8	WBZHL000008001	lock nut	4
25	2	11-SX-11-36K	LKZ1450643001	interlock cable	1
26	2	NF-001-4-01	WCY00000S26069	Gear rack (left)	1

27	2	SX-11-036B-2	LKZ2051395001	Auger cable	1
28	2	HS-4*20	WBZHS004020001	bolt	1
29	2	2015-004		flexible shaft sleeve	1
30	2	NHLN-4	WBZHL000004001	lock nut	1
31	2	2015-01		Rocker block assembly	1
	3	2015-01-001		Rocker block	1
	3	2015-01-002		Rocker block 3	1
	3	2015-01-003		flexible shaft 2	1
32	2	ZY-051	WCM00009S48027	Rocker	1
33	2	FB-10*20*1	WBZPD102010901	gasket	2
34	2	SL-8-11	ZZS0PPS38087	discharge chute steering adjust handle ball	1
35	2		WBZZK000010001	external plier	1
36	2	SL-8-03	ZZS0PUS38086	discharge chute steering handle ball cap	1
37	2	SX-11-36E	LKZ1781460001	discharge chute wire	1
38	2	SJ-215	ZWX000S16021	U shape fiche	2
39	2	FB-8*22*2	WBZPD082220001	gasket	5
40	2	SJ-233	WCM00000S16047	wire pin	1
41	2	OSP-2.0*29	WBZKX020029001	Cotter pin 2	1
42	2	SJ-224	WCY00000S16022	Calabash card	2
43	2	SA-008	WCY00000S16094	Curved elastic gasket	3
44	2	SJ-210-1	WCY00000S16040	Adjust the damping mounting plate 1	1
45	2	SJ-209	WHJ00000S16017	Adjust rod welding assembly	1
	3	SJ-209-1	WCY00000S16018	Adjust rod welding 1	1
	3	SJ-209-2	WCY00000S16019	Adjust rod welding 2	1
	3	SJ-209-3	WCM00000S16020	Adjust rod welding rod	1
46	2	SW-8	WBZSW000008001	spring gasket	1
47	2	2015-003		handel connecting 2	1
48	2	STG8062Ae-26	ZZSPVCS18032	gear handel	2
49	2	SJ-223	ZWX000S16025	Bowl shrapnel	1
50	2	NF-001-7-01	WCY00000S26075	right discharge chute wire fixed bracket	1
51	2	FB-5*12*1.2	WBZPD051212001	gasket	8
52	2	NF-001-7	WCY00000S26073	left discharge chute wire fixed bracket	1
53	2	HS-8*45	WBZHS008045001	bolt	2
54	2	FB-8*16*1.2	WBZPD081612001	gasket	2
55	2	NHLN-8	WBZHL000008001	lock nut	2
56	2	NF-001-5	ZPS000S26081	Underside coaming	1
57	2	HS-10*45	WBZHS010045001	bolt	1
58	2	NHLN-10	WBZHL000010001	lock nut	1
59	2	HS-6*12	WBZHS006012001	bolt	4
60	2	NHLN-6	WBZHL000006001	lock nut	4
61	2	NF-001-8	ZWX000S26077	gear plate welding set	1
	3	NF-001-8-1	WCY00000S26078	gear plate	1
	3	NF-001-8-2	WCM00000S26079	gear handel	1
62	2	FB-10*28*3	WBZPD102830001	gasket	1
63	2	STG11 (13) 70 (110) AE-02-02-08	WTH00000S26083	handel adjust spring	1
64	2	NF-001-4-02	WCY00000S26070	gear fixed bracket	1
65	2	SW-8	WBZSW000008001	spring gasket	1
66	2	2015-002		handle connecting 1	1
67	2	NF-001-14-3	WTH00000S26082	clutch handle spring 3	1
68	2	SJ-231	LKZ3101150001	walking wire	1
69	2	NF-002-R-B	ZPS000S26061	right handrail upper tube welding	1
	3	NF-002A(R)	ZJG000S26062WS	handrail upper tube	1
	3	2011-KEY-05	ZHJ000S26063WS	right clutch fixed plate welding comp.	1
	3	2011-KEY-05-01	ZJG000S26064WS	right clutch fixed plate	1
	3	2011-KEY-01-03	ZJG000S26060WS	clutch fixed sleeve	1
	3	SJ-236	ZJG000S16037WS	wire fixed block	1
70	2	2011-SX-11-031-2	ZWX000S26067	right handel	1
71	2	SJ-047-1	ZZS0PUS05086	SJ rubber cap	1

72	2		05.1.10.011	LOGO plastic plate(2015-1A)	1
	2		05.1.10.012	LOGO plastic plate(2015-1B)	1
73	2		WBZFN000008001	flange nut	1
74	2	GPP6562C-01-07	WCM00000S05130	speed adjusting handel upper connecting	1
75	2	GPP6562C-01-09	WTH00000S05131	Adjustable speed adjusting spring 1	2
76	2		WBZPD082220001	gasket	1
77	2		WBZKK025035001	cotter pin	1
78	2	NF-001-18	WCM00000S26084	gear connecting rod	1
79	2		WBZPD081612001	gasket	1
80	2	NJ-02	WTH00000S05019	pin buckle	1
81	2	STG11(13)70(10)AE-02-02-03	WHJ00000S26023	fork arm	1
	3	STG11(13)70(10)AE-02-02-03-1	WCY00000S26024	fork arm plate	1
	3	STG11(13)70(10)AE-02-02-03-2	WCM00000S26025	fork arm sleeve	1
82	2		WBZJX006030001	Cotter pin	1
83	2	HS-5*35	WBZHS005035001	bolt	2
84	2	SX-11-029	ZZS0PPS22061	handel seat	2
85	2	NHLN-5	WBZHL000005001	lock nut	4
86	2	SX-11-028	ZZS0PPS22062	handel	2
87	2	SX-11-027	WCM00000S22063	Cross slotted small plate head bolt	2
88	2		13.1.10.01.005	Head lamp	1
89	2	SW-5	WBZSW000005001	spring gasket	1
90	2	HS-6*16	WBZHS005016001	bolt	1
91	2	2015-001		hang seat	1
92	2	SH-4.2*12	WBZSH048012002	Cross recessed pan head tapping screw	1
93	2	STG8027BS-035		Rocker damping sleeve	1