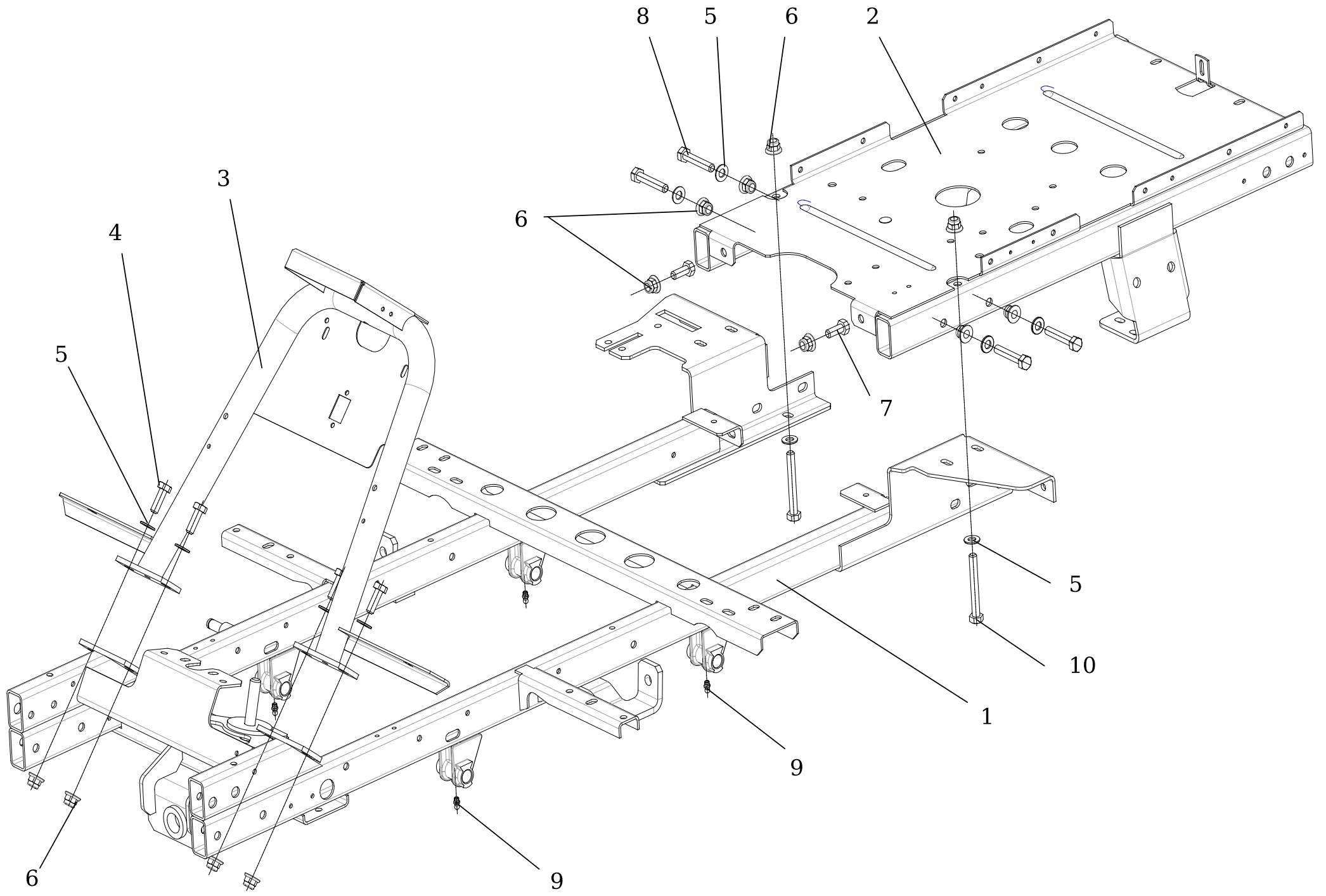


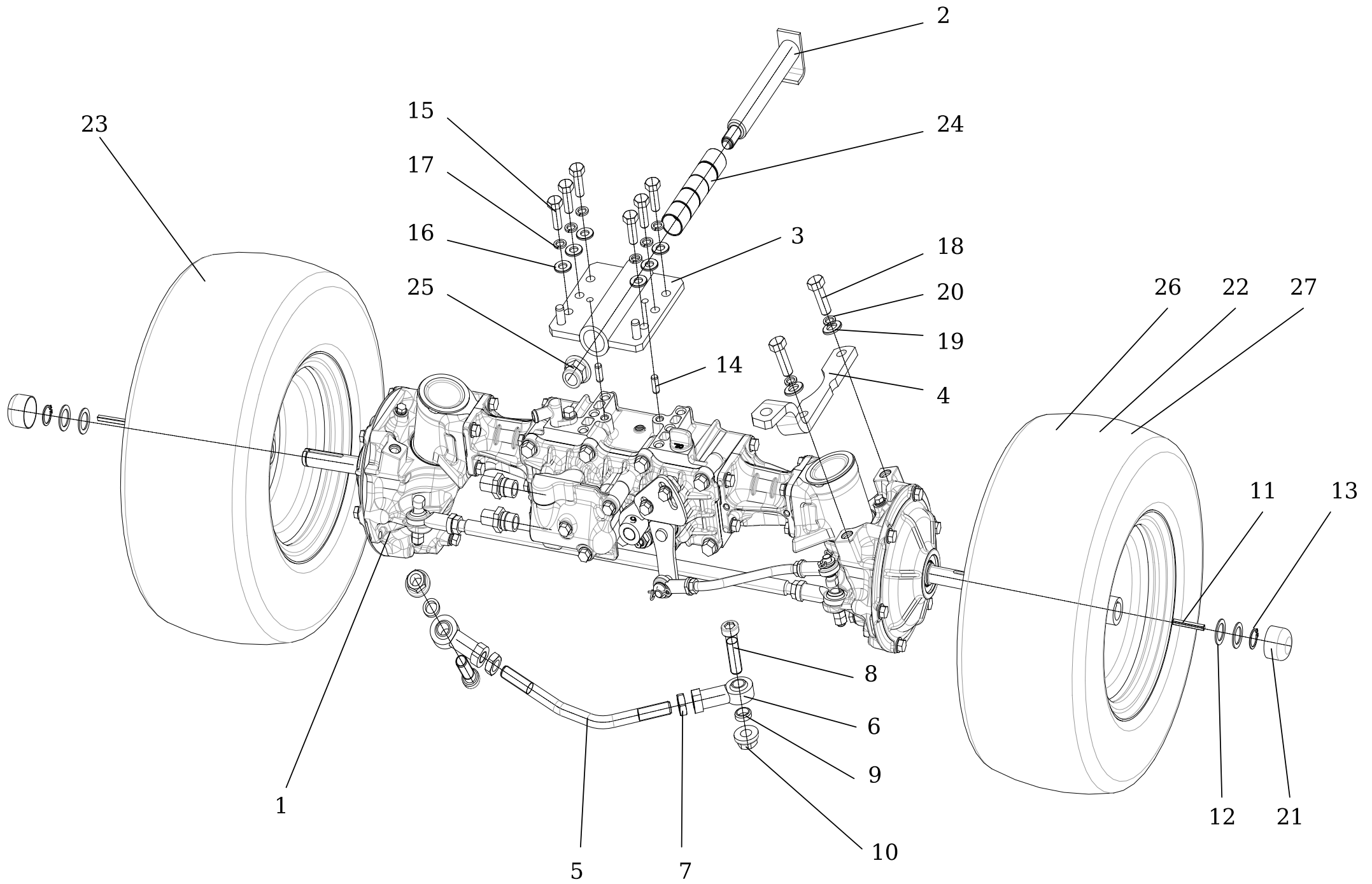
## KGC01-14-0001

1	N482349030	Kawasaki engine FS730V	1
2	N532151333	Engine pulley 9-3325-294 "A"118	1
3	N339242010	Elmag. clutch Warner IXR12441	1
4	S532085415953	Muffler cover	1
5	N532151254	Reducer to engine	1
6	S532927472493	Exhaust Kawasaki	1
7	N532151253	Hose with cap	1
8	N273222001	Heat isolation 0-8530-624	1
9	S532913369693	Limiter compl.	1
10	S532092402593	Washer	1
11	S532992462033	Washer compl.	1
12	N311122501	Nut W1/4-20 Unc Zinc.	1
13	N311214503	Washer 10	4
14	N443900144	Throttle lever 9-8071-281 GC	1
15	N443900138	Throttle lever 0-8060-239	1
16	N443612016	Choke 9-8074-327 GC	1
17	N311214501	Washer 6	1
18	N311219516	Washer NL 11 glued Dacromet	1
19	N309578542	Screw 7/16"-20x2.5 DIN 931	1
20	N309578543	Screw 3/8x1.25 DIN 933	4
21	N341271181	Connection el. KS004057	1
22	N309503518	Screw M8X20	1
23	N311214502	Washer 8	1
24	N309315012	Screw ST 4,2X13 DIN7504-K BN188	2
25	N309231535	Screw M 4X14 021131.25	1
26	N311129514	Nut M4	1
27	N309578532	Screw M 5x16 ISO 7380 8.8	2
28	N311129524	Nut M 5 DIN 6926 Zinc	2
29	N309503548	Screw M 6X20	1
30	N311210502	Washer 6.4	1
31	N311129517	Nut M 6 DIN 6923 8 Zinc. toothed	1
32	S532013409173	Clutch stopper	1
33	N532150290	Nut M 8 DIN 6926 8 Zinc	4
34	N309503512	Screw M 8X25	4
35	N311210503	Washer 8.4	3



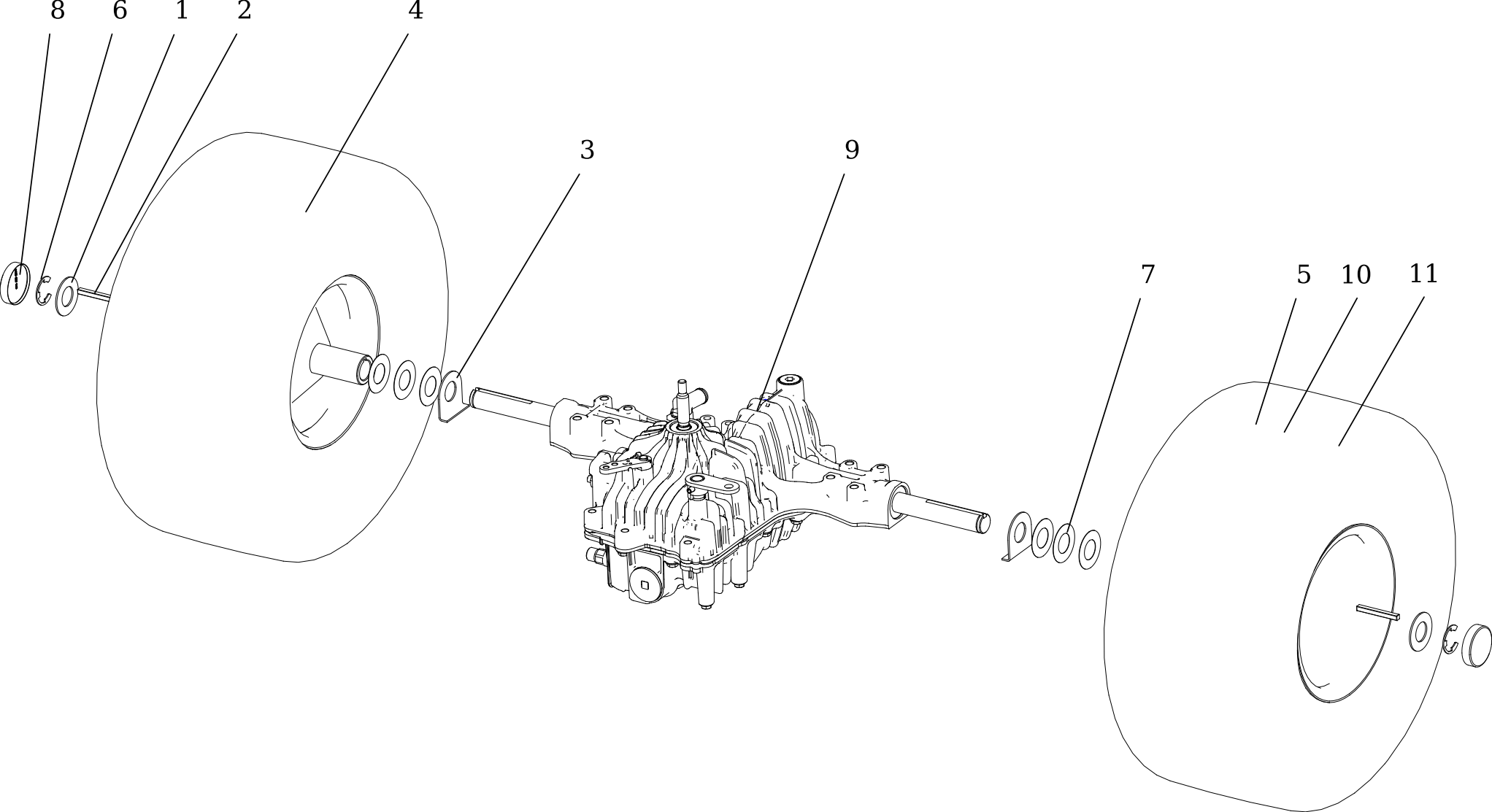
KGC02-13-0001

1	S5329124723 Chassis devided GC	1
2	S5329279621 Engine chamber GC	1
3	S5329154623 Steering wheel-brace	1
4	N309503510 Screw M 10X30	4
5	N311210504 Washer 10.5	10
6	N311129523 Nut M 10 DIN 6926 Zinc	12
7	N309503502 Screw M 10X25	2
8	N309501519 Screw M 10x55	4
9	N425111004 Lubricating head MK 6x1	1
10	N309503558 Screw M 10X80	2



## KGC04-18-0001

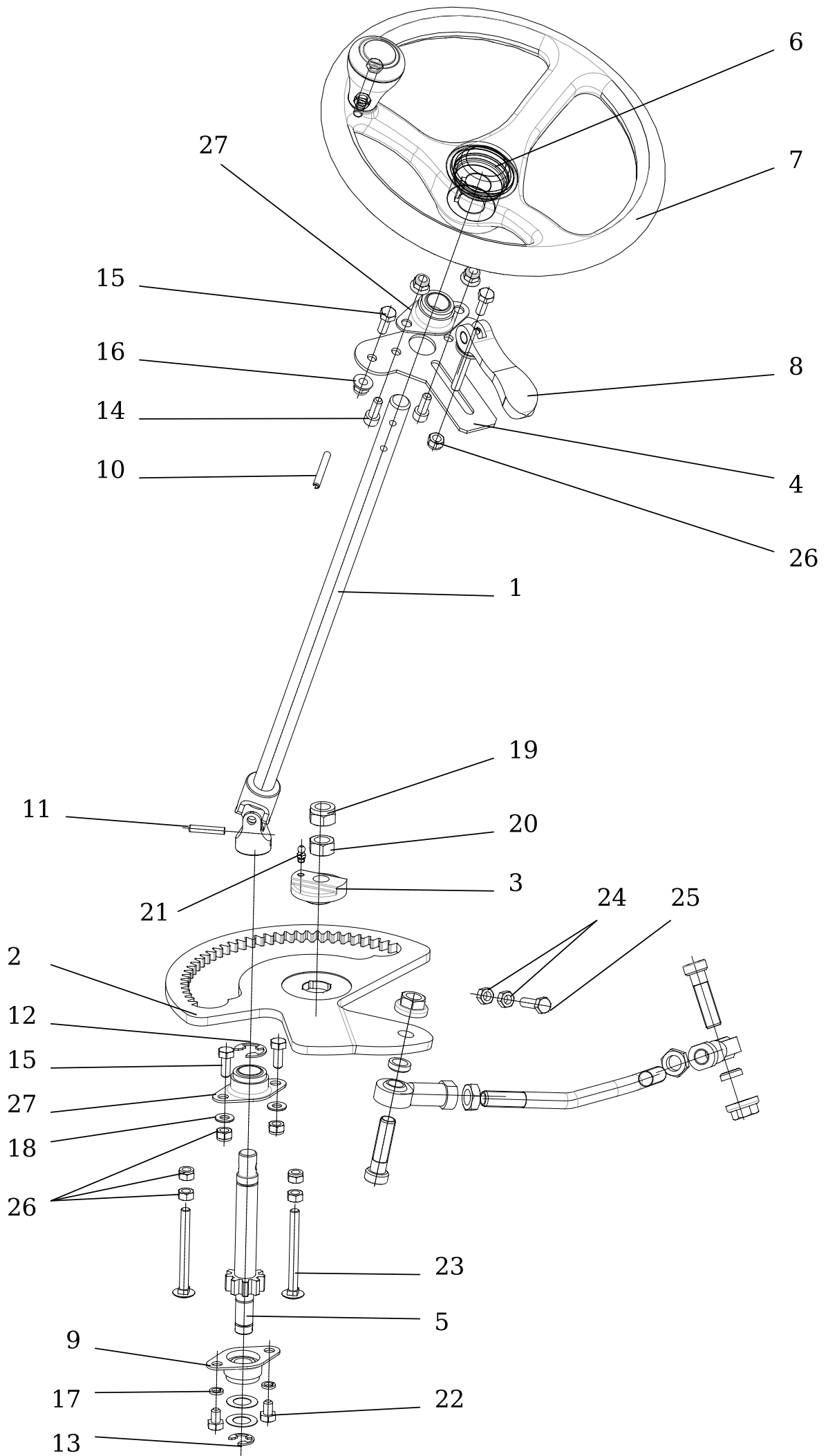
1	S532092208053	Washer	2
2	N311726100	Key 0-9231-224	2
3	S532092208553	Washer	2
4	N532940175	Wheel rear L 20x10.00-8 TRAC MAST	1
5	N532940176	Wheel rear R 20x10.00-8 TRAC MAST	1
6	N311732024	Lock ring SE-98 1	2
7	S532092208083	Washer	8
8	N532151655	Cap 0-8025-201 49x25	2
9	N532991058	Transmission K664 E Tuff Torq	1
10	N325111028	Wheel disc rear 7.00IX8H2 OTR 202	2
11	N274161015	Tyre 20X10.00-8 CROSS 4X4	2



## KGC03-13-0001

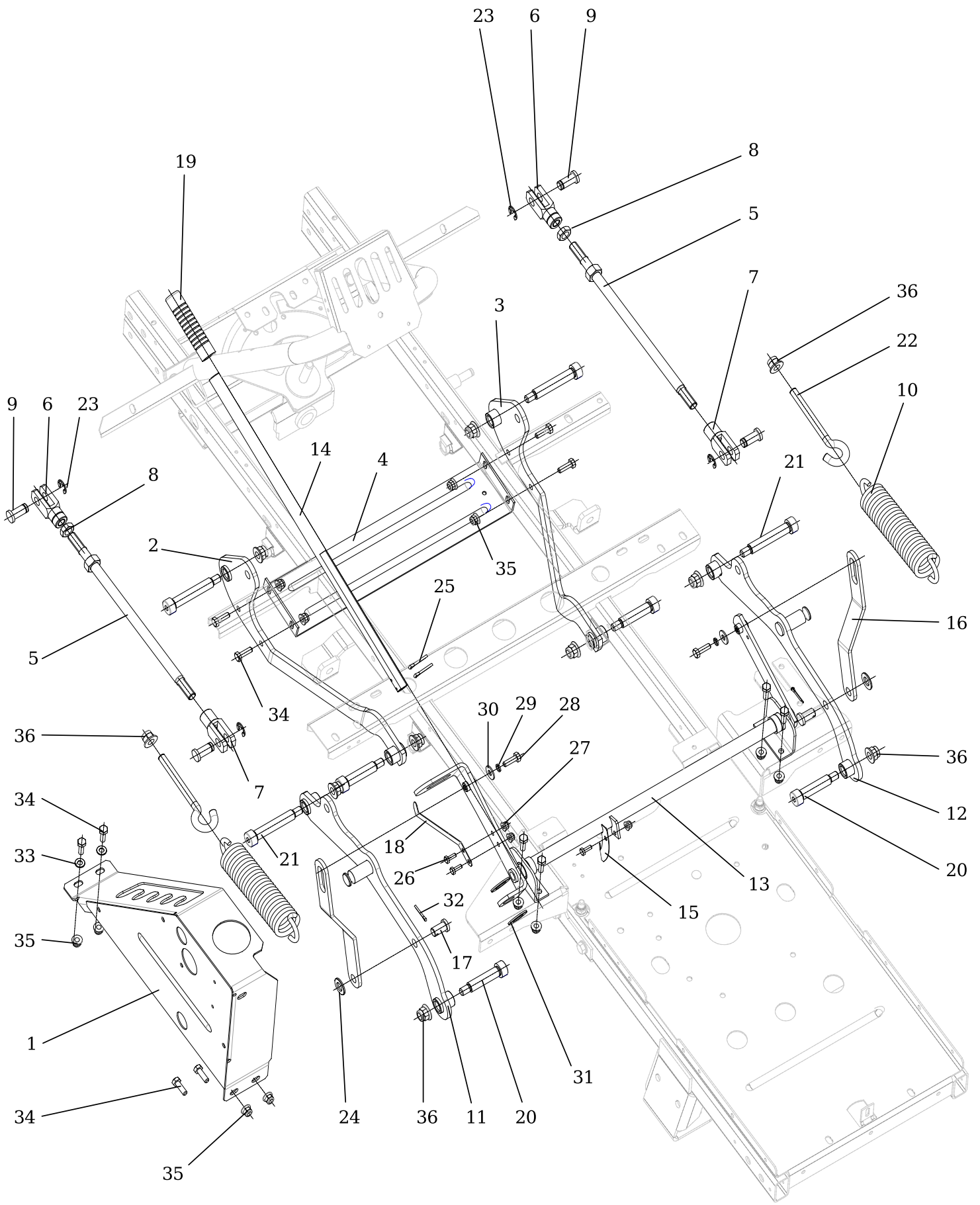
1	N532991057 Axle front KXH 10N	1
2	S5329931227 Pin complete	1
3	S5329162622 Axle holder complete	1
4	S5320804226 Steering lever	1
5	S5320801028 Control bar GC	1
6	N442073031 Joint head PHS 14 REX	2
7	N311120542 Nut M 14	2
8	S5321901610 Screw	2
9	S5320952090 Spacer	2
10	N311129529 Nut M 14 RIPP DIN 6923	2
11	S5320923122 Spring	2
12	S5320922075 Washer	4
13	N311732023 Lock ring E-75 3/4	2
14	N311515079 Pin 8X20 A	2
15	N309503571 Screw M10x30 DIN 933-10.9	6
16	N311210504 Washer 10.5	6
17	N311214503 Washer 10	6
18	N309503572 Screw M12x35 DIN 933-10.9	2
19	N311210505 Washer 13	2
20	N311214504 Washer 12	2
21	N532150753 Cover 32X25 Vinyl-Flex	2
21	N532940177 Wheel front L 16x6.50-8 TRAC MAST	1
23	N532940178 Wheel front R 16x6.50-8 TRAC MAST	1
24	N323721015 Bearing bushing WSM-2528-25W300	5
25	N311129527 Nut M 16 DIN 6926	1
26	N274161016 Tyre 16X6.50-8 CROSS 4X4	2
27	N325111015 Wheel disk 5.50x8 front Cross 4x4	2





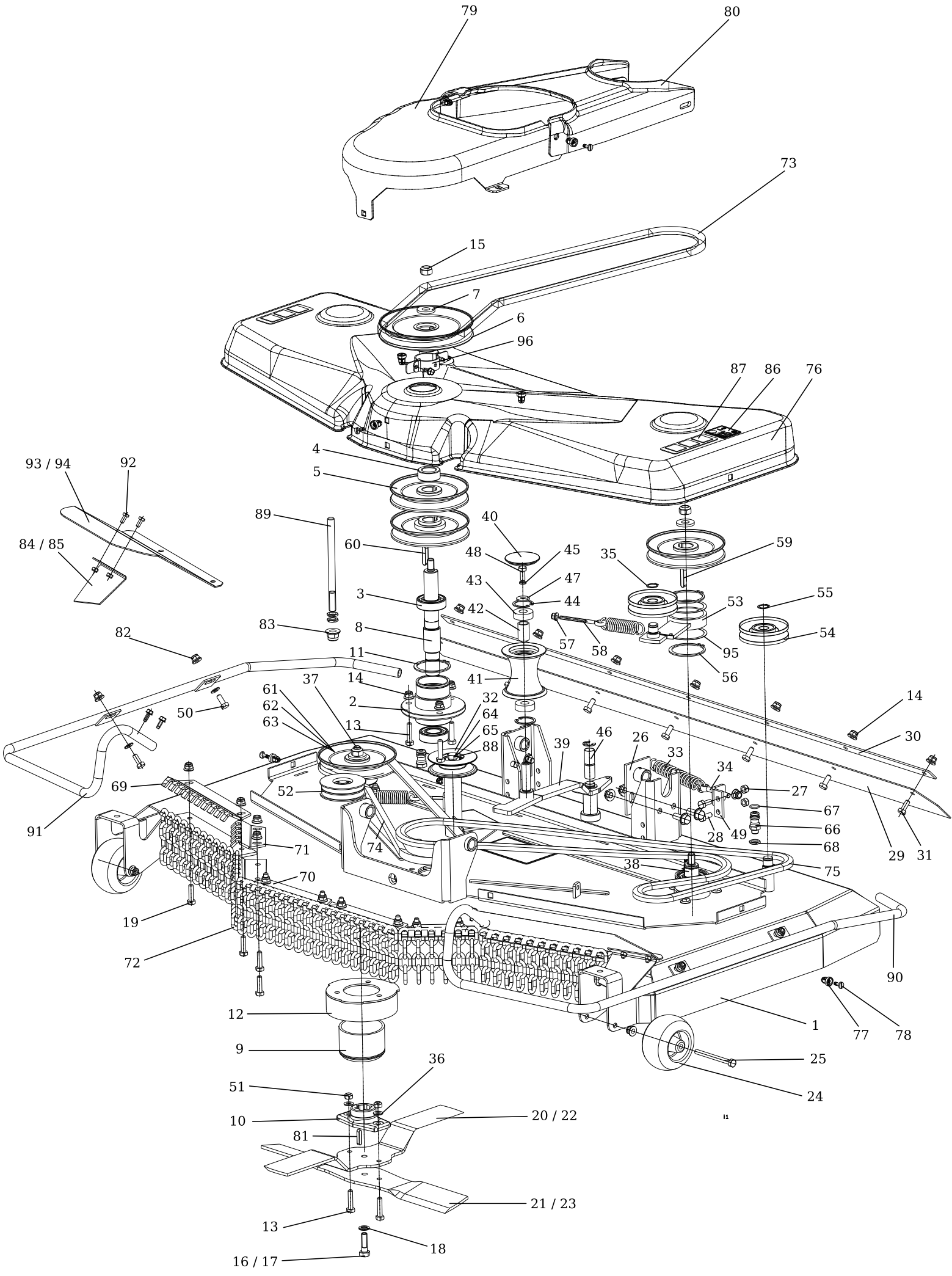
## KGC05-13-0001

1	S532930702173	Steering wheel-shaft compl.	1
2	S532033322443	Cogged segment	1
3	S532080272053	Eccentric	1
4	S532013425953	Steering wheel guidance	1
5	S532930252203	Pinion complete	1
6	N532151106	Cover COBO 0047	1
7	N443821008	Steering wheel Cobo PP031	1
8	N532151102	Excentric lever 0432-201108X50	1
9	N324196023	Ball bearing FJW 10	1
10	N315238031	Spring pin 6x45	1
11	N315238011	Spring pin 6x32	1
12	N311732008	Lock ring 15	1
13	N311732009	Lock ring 12	1
14	N309543506	Screw M 8X20	2
15	N309503518	Screw M8X20	4
16	N532150290	Nut M 8 DIN 6926 8 Zinc	2
17	N311214502	Washer 8	2
18	N311219525	Washer 16x28x0.5 DIN 988	3
19	N311129528	Nut M 14	1
20	N311150513	Nut M14	1
21	N425111004	Lubricating head MK 6x1	1
22	N309203521	screw M8x12	2
23	N309019534	Screw M 8x80 DIN 603	2
24	N311150503	Nut M 8	4
25	N309503515	Screw M 8X30	1
26	N311129501	Nut M 8	7
27	N000324001	Spherical bearing FLW 12	2



KGC06-14-0001

1	S5329134639 Mowing lifting gate compl.	1
2	S5329805082 Arm front compl. left	1
3	S5329805082 Arm front compl. right	1
4	S5320805082 Front arms reinforcement	1
5	S5329804224 Coupling	1
6	S5320806024 Fork left	1
7	S5320806024 Fork right	1
8	N311120541 Nut M 14x1.5 L DIN 439	1
9	S5321931077 Coupling pin	4
10	N315231268 Spring TZ 27/1/1 1.1200	2
11	S5329805082 Arm rear left	1
12	S5329805082 Arm rear right	1
13	S5329807021 Cutting lifting	1
14	S5320801124 Mowing-lifting lever	1
15	S5320974022 Mowing switch spring	1
16	S5320803123 Mowing arm	2
17	S5321931177 Cutting carrier-pin	2
18	S5320974022 Lifting-lever spring	1
19	N532151267 Handle SUNAP 319A-035-20	1
20	N309578539 Screw 16/M12-60 BN 1359	4
21	N309578491 Screw pr.16/M12-80 BN1359	4
22	N309510004 Hook M 12x100 Zn	2
23	N311732009 Lock ring 12	4
24	N311210508 Washer 21	2
25	N311338503 Split pin 4X40	2
26	N309503548 Screw M 6X20	3
27	N311129525 Nut M 6 DIN 6926	3
28	N309503512 Screw M 8X25	2
29	N311214502 Washer 8	2
30	N311212517 Washer 9 Zinc	2
31	N311210511 Washer 15	2
32	N311338517 Spindle 3.2x25	2
33	N311210503 Washer 8.4	2
34	N309503512 Screw M 8X25	16
35	N532150290 Nut M 8 DIN 6926 8 Zinc	12
36	N311129526 Nut M 12 DIN 6926	10

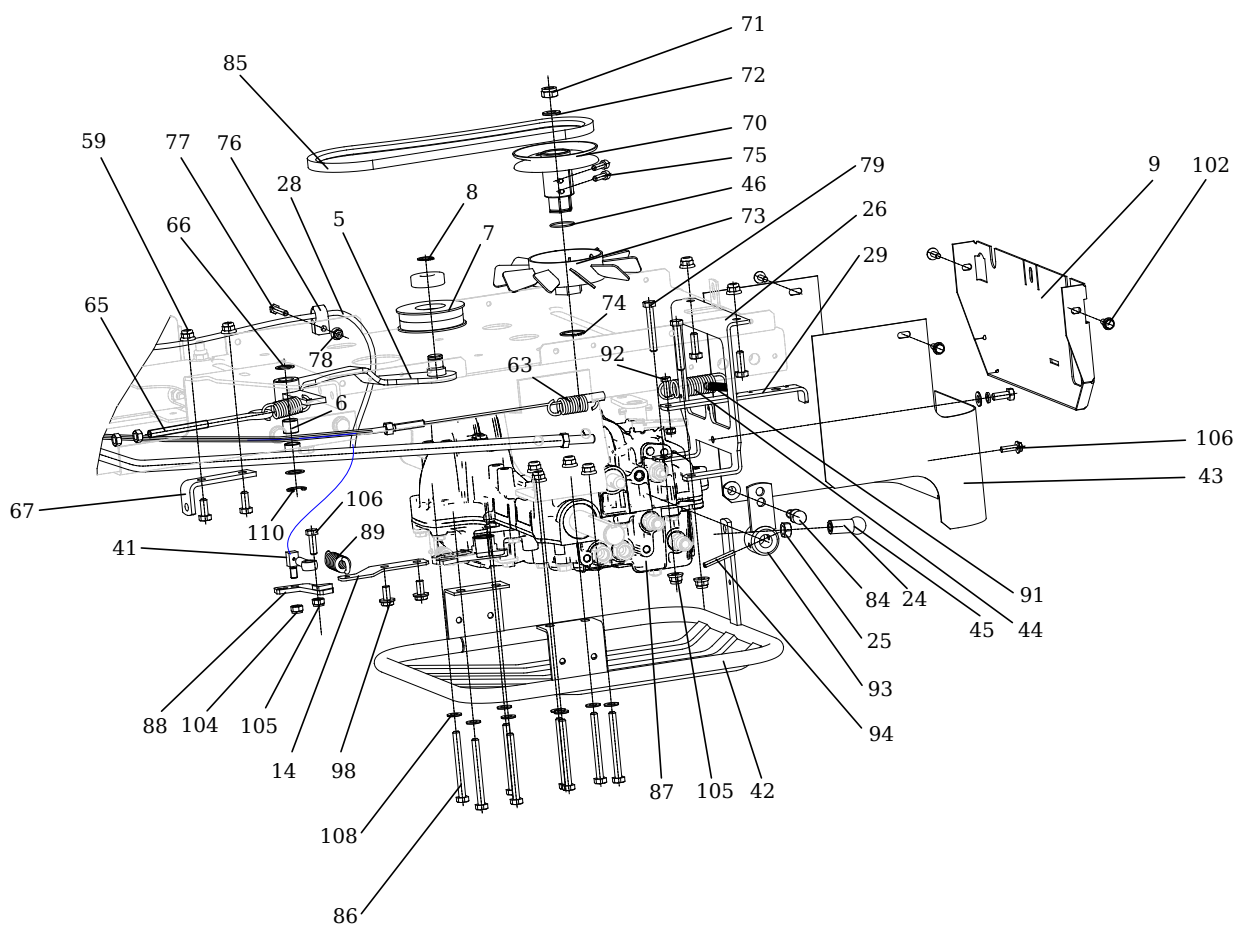
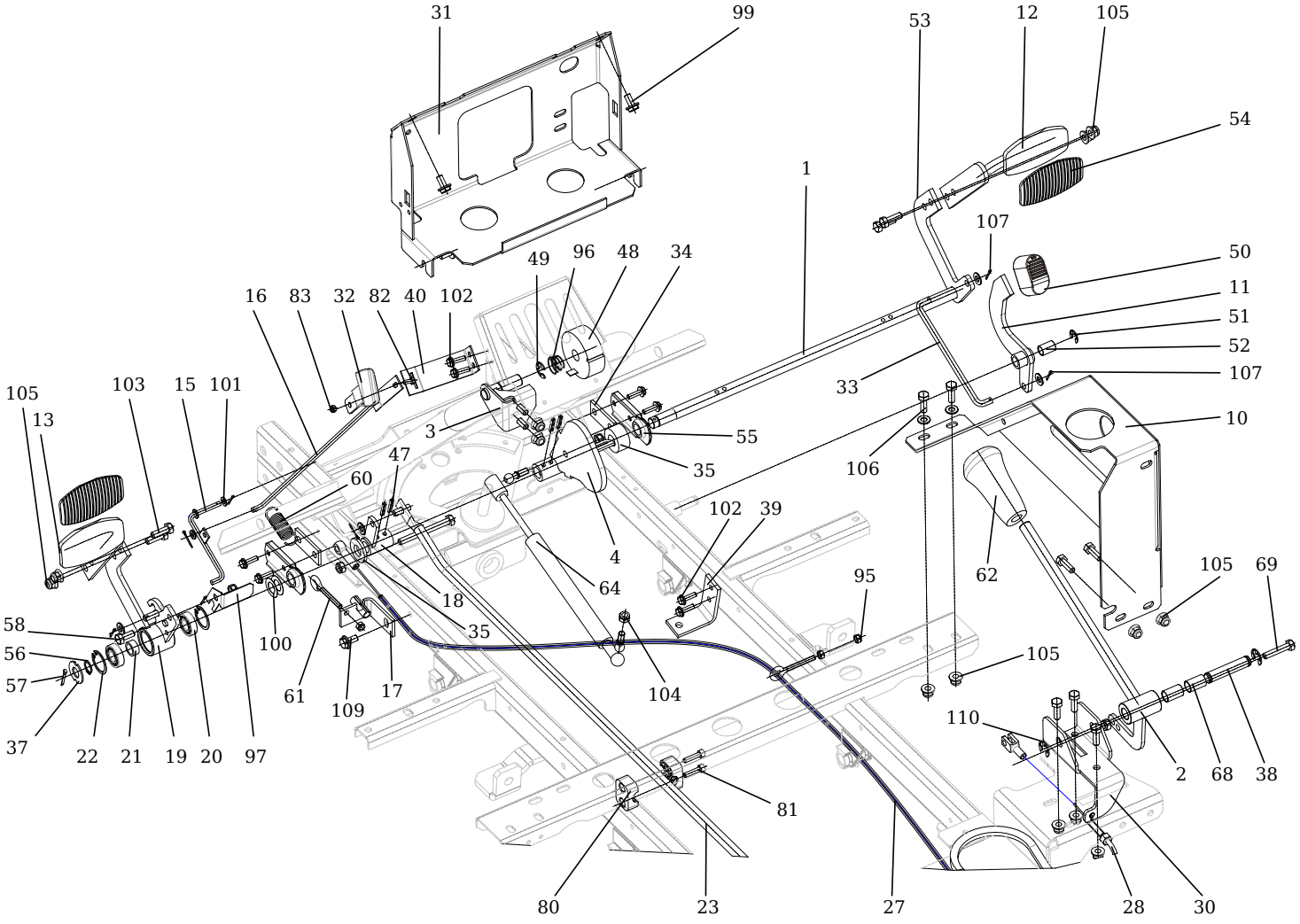


## KGC07-15-0003

1	S532094202023	ROZPĚRKA Spacer	1
1	S532950472363	KRYT ÚPLNÝ Cover complete 132	1
2	S532038522023	PŘÍRUBA Housing	3
3	N324162099	LOŽISKO 620 Bearing 6205 2 RS C 66IB	6
5	N532151200	ŘEMENICE Ú Pulley complete 9-3371-318	4
6	N532151480	ŘEMENICE Ú Pulley complete 9-3325-298	1
7	S532092207273	PODLOŽKA Washer	3
8	S532038128453	HŘÍDEL Shaft	1
9	S532939352033	VÍČKO ÚPLN Cover complete	3
10	S532098212013	PŘÍRUBA Flange	3
11	N311733014	POJIST. KRO Lock ring 25	3
12	S532938522443	KRYT PŘÍRU Flange cover	3
13	N309503543	ŠROUB M 8X Screw M 8X35	15
14	N532150290	MATICE M 8 INut M 8 DIN 6926 8 Zinc	35
15	N311129505	MATICE M 12Nut M 12	3
16	N309599017	ŠROUB 0-901 Screw 0-9011-287 M10	2
17	N309599008	ŠROUB 0-901 Screw 0-9011-283 M10 Left	1
18	N311219523	PODLOŽKA 1WASHER 10 RIPP LOCK	3
19	N309503515	ŠROUB M 8X Screw M 8X30	12
20	S532050422153	NUŽ PRAVÝ( Blade right (132)	2
21	S532050422143	NUŽ PRAVÝ( Blade right (132)	2
22	S532050422163	NUŽ LEVÝ(13 Blade left (132)	1
23	S532050422173	NUŽ LEVÝ(13 Blade left (132)	1
24	N532940128	KOLO SEČEN Cutting wheel Etop 100-8,2	2
25	N309501567	ŠROUB M 8X Screw M 8X90	2
26	S532914302463	DRŽÁK SEČE Deck holder rear	2
27	N311129522	MATICE M 10Nut M10 RIPP KL 10 BN 2798	4
28	N309578529	ŠROUB M 10 Screw M10X25KL100 Ripp. V. DACROM	4
29	N273192059	CLONA 0-853 Shield 0-8530-628	1
30	S532085306293	PÁSEK Belt	1
31	N309503518	ŠROUB M 8X Screw M8X20	13
32	N311212521	PODLOŽKA 1Washer 11 Zinc	1
33	N315231234	PRUŽINA 0-9 Spring 0-9746-490	3
34	N309599025	ŠROUB 0-901 Screw 0-9016-454	1
35	N311732009	POJIST. KRO Lock ring 12	1
36	N311210503	PODLOŽKA 8Washer 8.4	10
37	S532038128463	HŘÍDEL P Shaft R	1
38	S532038128473	HŘÍDEL L Shaft L	1
39	S532913413313	DRŽÁK Holder	1
40	N532151332	KRYTKA GPN Cap GPN 910/0715	1
41	S532033232413	KLADKA Pulley	1
42	S532195203803	ROZPĚRKA Spacer	1
43	N324162097	LOŽISKO 620 Bearing 6202 VV C3 (NSK)	2
44	N311733075	POJIST. KRO Lock ring 35	2
45	N309503518	ŠROUB M 8X Screw M8X20	1
46	N323721006	POUZDRO LC Bushing 1625 KU	2
47	N311212517	PODLOŽKA 9Washer 9 Zinc	1
48	N311214502	PODLOŽKA 8Washer 8	1
49	S532113408433	ZARÁŽKA NA	1
50	N309578517	ŠROUB M 6X SCREW M 6X16 DIN 7500D BN 3326	6
51	N311129501	MATICE M 8 Nut M 8	8
52	N000532003	ŘEMENICE F Pulley F3000-0750 metal	1
53	S532913323083	DRŽÁK NAPÍ Tension pulley holder	2
54	N532150784	ŘEMENICE C Pulley Compensa C-00237/2	2
55	N311733007	POJIST. KRO Lock ring I7	3

## KGC07-15-0003

56	N311733032	POJIST. KRO Safety ring 60	4
57	N311129525	MATICE M 6 INut M 6 DIN 6926	2
58	N309578523	ŠROUB M 6X Screw M 6x80 with eye BN1006 Zinc	2
59	N311726092	PERO 8E7X7 Spring 8E7X7X22	2
60	N311726089	PERO 8E7X7 TONGUE 8e7x7x36	2
61	S532033253913	ŘEMENICE Pulley	1
62	N324162098	LOŽISKO 620 Bearing 6203 2 RS C 66 IB	1
63	N311733079	POJIST. KRO Lock ring 40	1
64	N309503526	ŠROUB M 10. Screw M 10x50	1
65	N311214503	PODLOŽKA 1Washer 10	1
66	N532150533	RYCHLOSPC Quick fastener 0-9026-246	1
67	N273111057	KROUŽEK 10 Ring 10.78X2.62 NBR 70-SH	1
68	N311120511	MATICE M 12 Nut M 12	4
69	S532113415403	DRŽÁK HOLDER	2
70	S532113415393	DRŽÁK HOLDER	2
71	S532113415443	DRŽÁK HOLDER	2
72	N318112030	ŘETĚZ A6/3 (Chain A6/4 . 9-8558-200	51
73	N272731251	KLÍN. ŘEMEN V-belt 17x1732 LP Optibelt	1
74	N272731245	KLÍN. ŘEMEN V-belt 13x1325 LIA52 right	1
75	N272731246	KLÍN. ŘEMEN V-belt AA78 HAA-2032 LB left	1
76	N532151477	KRYT 0-8540 Cover 0-8540-654 132	1
77	N532150903	LŮŽKO D7-20 Seating D7-201-802-010	10
78	N532150904	CVOK D7-201 Pin D7-201-711-010	10
79	N532151478	KRYT ŘEMEN Pulley cover 0-8540-655 GC	1
80	N532151474	KRYT ŘEMEN Belt cover 0-8540-204 GC	1
81	N311726091	PERO 6E7X6 Key 6E7X6X28	3
82	N311129513	MATICE M 6 Nut M 6	4
83	N311129526	MATICE M 12 Nut M 12 DIN 6926	1
84	S532085406483	KRYT SEČEN Cutting deck left	1
85	S532085406493	KRYT SEČEN Cutting deck right	1
86	N283292436	SAM. NÁL. 0- Label 0-8732-558 Noise	1
87	N283292121	SAM. NÁL. 0- Label 0-8730-510	2
88	S532094214473	POUZDRO Bushing	1
89	S532013102023	DORAZ GC Backstop GC	1
90	S532913452173	TRUBKA OČI Safety tube 132 left	1
91	S532913452183	TRUBKA OČI Safety tube 132 right	1
92	N309203540	ŠROUB M 6X Screw M 6X14	4
93	S532085406503	KRYT SEČEN Cutting deck left	1
94	S532085406513	KRYT SEČEN Cutting deck right	1
95	S532092208673	PODLOŽKA Washer	6
96	S532075412013	VĚTRÁK Cooling fan	2



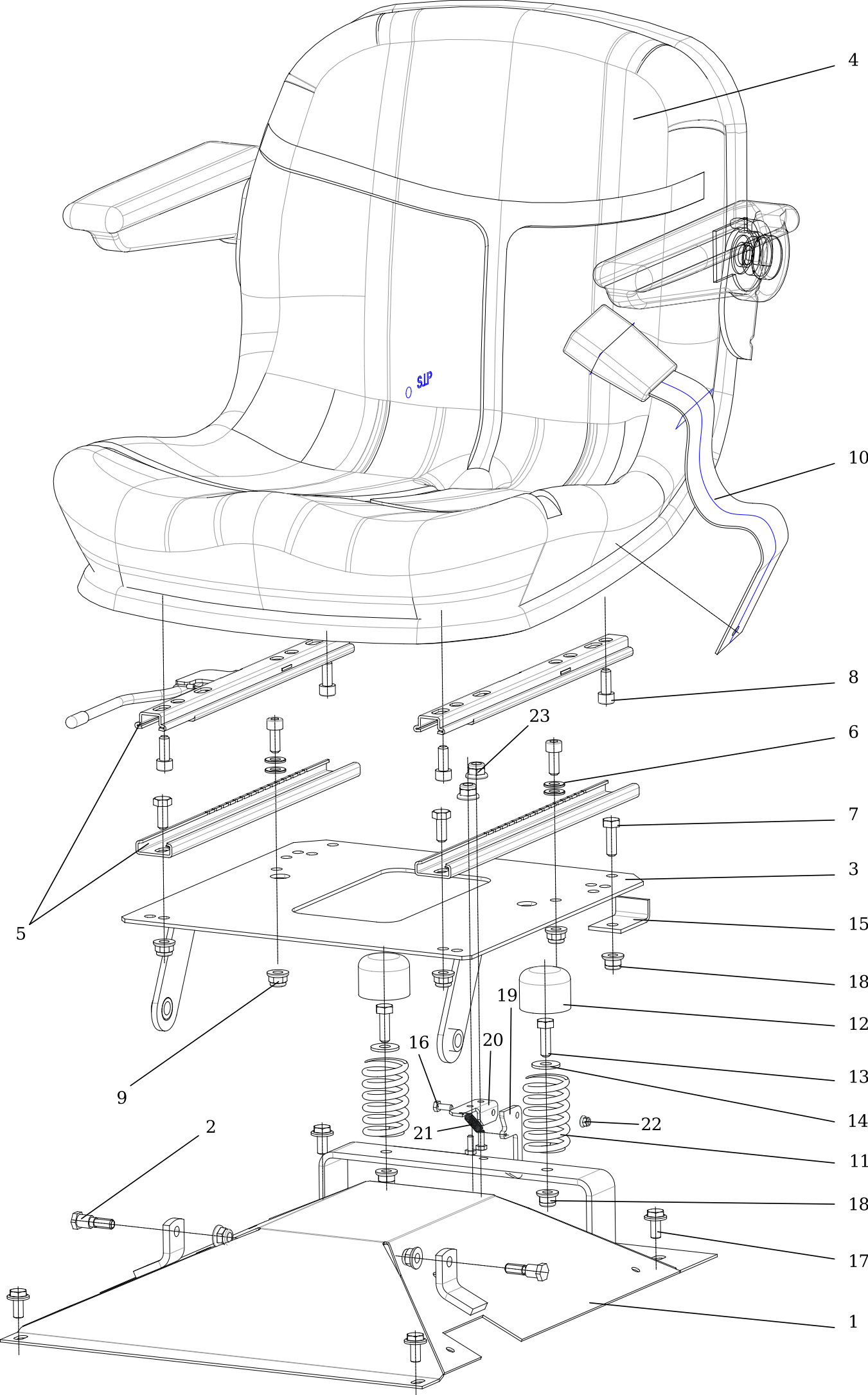


## KGC09-19-0001

1	S532080102023	Drive shaft	1
1	S532980552103	Reverse pedal	1
2	S532913464093	Lever	1
3	S532913464023	Cruise control-holder compl.	1
4	S532980463423	Cruise control lever	1
5	S532913462243	Pulley holder	1
6	N323721004	Bushing 1615 KU Teflon	2
7	N000532003	Pulley F3000-0750 metal	1
8	N311733007	Lock ring I7	1
9	S532085427563	Cover rear complete	1
10	S532913463963	Gas holder compl.	1
12	S532980463393	Travel pedal complete	1
13	S532980463383	Brake pedal complete	1
14	S532013309583	Differential stopper	1
15	S532980463453	Brake-arrestment lever	1
16	N532151675	Brake rod 0-8044-204	1
17	S532913464033	Brake cable-stopper	1
18	S532980463433	Travel lever complete	1
19	S532980462383	Brake pedal	1
20	N324165609	Bearing 6002 2RS	2
21	S532195203393	Spacer ring	1
22	N311733073	Safety ring 32	2
23	S532980422433	Travel tie rod	1
24	N442073005	Ball bushing 16DIN71805B ZnBN489	1
25	N311150506	Nut M 10	1
26	S532113415863	Brake springs-holder	1
27	N443900145	Cable connection 9-8074-328	1
28	N443900147	Diff-lock bowden 9-8074-331 GC	1
29	S532080403213	Tie rod	1
30	S532113408653	Lever holder DIF	1
31	S532013422213	Battery holder	1
32	N532151292	P.brake handle 9-MTD-299	1
33	N532151285	Reverse rod 0-9244-225	1
34	S532013409123	Bearing washer	2
35	S532095209003	Spacer	1
36	S532095208993	Spacer	1
37	S532192208653	Bearing cap	1
38	S532093109963	Pin	1
39	S532014409333	Dumper holder	1
40	S532080413373	Brake tie rod guidance	1
41	S532038162493	Hawsepipe of diff-lock	1
42	S532913464003	Safety frame	1
43	S532085415923	Deflector GC	1
44	N315231230	Spring 0-9746-487	3
45	N442073006	SAFETY U - STRAP 16 DIN 71805 S Z	1
46	N273111060	Ring 28x1,5 NBR DIN3770	1
47	N315238060	Spring pin 5x26 ISO 8748	6
48	N358352009	El.Magnet.Rate 9-8032-214	1
49	N311732009	Lock ring 12	1
50	N273151013	Pedal cover 0-8832-234	1
51	N311732003	SAFETY RING 9	1
52	N323721020	Bearing bushing PSM 1214-20	1
53	S532980442013	Drive pedal	1
54	N273151001	Pedal coating 273 151 010 160	1
55	N324196028	Bearing FM 14M16	2

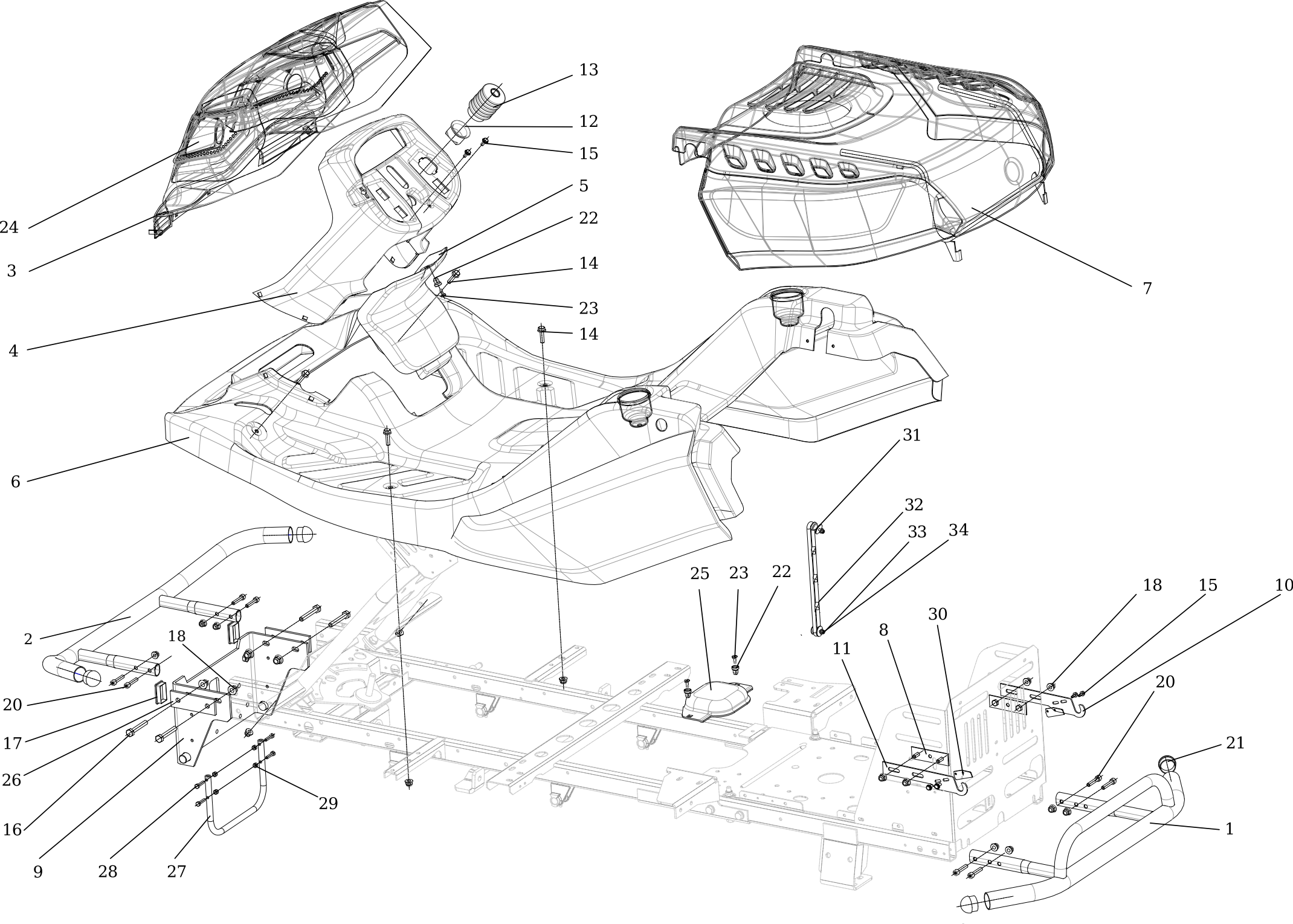
## KGC09-19-0001

56	N311733005	Lock ring I5	1
58	N309503576	Screw M 10x70	1
59	N311150503	Nut M 8	2
60	N315231042	Spring TZ 1.6x14.4x56x20 Zinc	2
61	N309578514	Screw M 6x50 with eye BN1006 Zinc	1
62	N532150305	Handle 1066 16 black	1
63	N315231234	Spring 0-9746-490	1
64	N532151283	Damper 621 100 004	1
65	N309510003	Eye with metric thread M8x140 ZN	1
66	N311219496	Washer 16X22X1 DIN 988 L 07	2
67	S532113404613	Spring holder	1
68	N323721019	Bearing bushing PSM 1416-25	2
69	N309503544	Screw M 8X40	1
70	S532933252873	Travel pulley	1
71	N311129502	Nut M 10	3
72	N311210504	Washer 10.5	1
73	S532075412033	Cooling fan 4X4	1
74	N311733015	Safety ring 26	1
75	N309503575	Screw M 6X20 DIN 912 8.8 ZINK	2
76	N532151282	Clip ROP 315X serie 0 18	1
77	N309503563	Screw M 6x40	1
78	N311129525	Nut M 6 DIN 6926	1
79	N309503556	Screw M5x35	2
80	N336681020	Tube holder	1
81	N309543525	Screw M 6x25	2
82	N309203548	Screw M 5X12	1
83	N311129524	Nut M 5 DIN 6926 Zinc	1
84	N442073003	Zinc Angle Joint 16Din	1
85	N272731214	V-Belt 13X830 LP OPTIBELT	1
86	N309501571	Screw M8x80	8
87	N532991058	Transmission K664 E Tuff Torq	1
88	S532980365163	Foot complete	1
89	N315231239	Spring 0-9746-493 Diff.lock	1
90	NK00000000	Not used in this performance	1
91	N315231224	Spring TZ 080.088.0312 Zinc	1
92	N309503548	Screw M 6X20	1
93	S532929462053	LEVER - COMPLETE	1
94	N315238049	Spring pin 6X40	1
95	N311150504	Nut M6	2
96	N315231236	Spring 0-9746-488	1
97	S532097402273	Spring	1
98	N309578009	Screw M8x20 DIN 7500D BN 3326	2
99	N309578520	Screw M 8x16 DIN 7500 D BN3326	5
100	N311219525	Washer 16x28x0.5 DIN 988	3
101	N311210502	Washer 6.4	1
102	N309578517	SCREW M 6X16 DIN 7500D BN 3326	13
103	N309503518	Screw M8X20	4
104	N311129501	Nut M 8	6
105	N532150290	Nut M 8 DIN 6926 8 Zinc	29
106	N309503512	Screw M 8X25	16
107	N311338501	Spindle 2x20	7
108	N311210503	Washer 8.4	15
109	N311129513	Nut M 6	2
110	N311733016	Lock ring 28	1



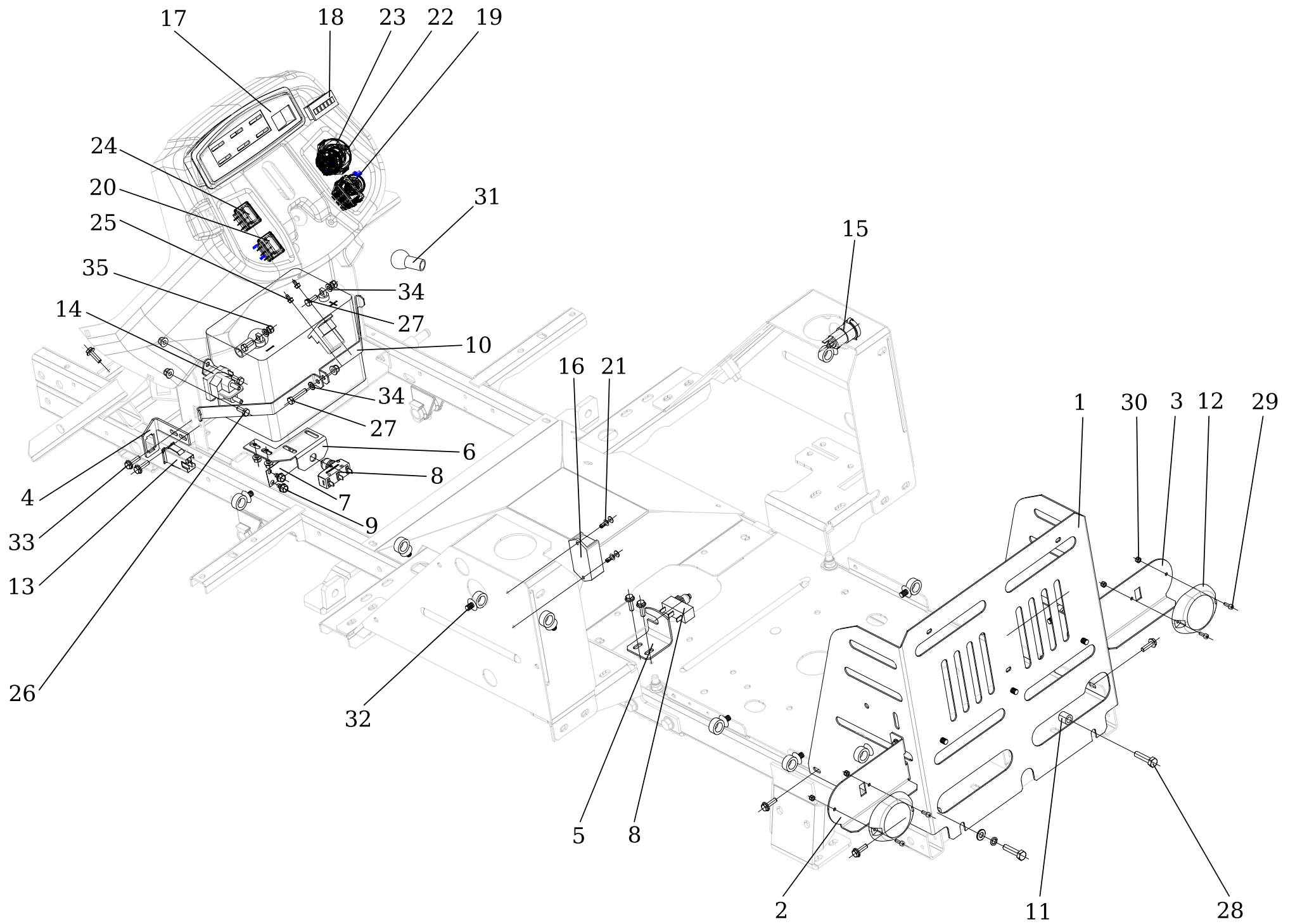
## KGC11-17-0001

1	S532985478053	Cover	1
2	S532090164623	Carrier screw	2
3	S532918473333	Seat carrier	1
4	N532151217	Seat COBO GT-75 E8096.039	1
5	N532150562	Mechanism Cobo sliding	1
6	N311210503	Washer 8.4	4
7	N309503518	Screw M8X20	2
8	N309543506	Screw M 8X20	6
9	N532150290	Nut M 8 DIN 6926 8 Zinc	4
10	N532150563	Safety belt A 5073.019	1
11	N315231262	Spring 0-9746-503	2
12	N532150208	Cover 38/A PVC Black	2
13	N309503512	Screw M 8X25	3
14	N311212517	Washer 9 Zinc	2
15	S532013425963	Seat backstop	1
16	N309503508	Screw M6X16	3
17	N309578520	Screw M 8x16 DIN 7500 D BN3326	4
18	N532150290	Nut M 8 DIN 6926 8 Zinc	6
19	S532014302123	Hook	1
20	S532013402133	Footing	1
21	N315231224	Spring TZ 080.088.0312 Zinc	1
22	N311129513	Nut M 6	1
23	N311129525	Nut M 6 DIN 6926	2



## KGC12-19-0002

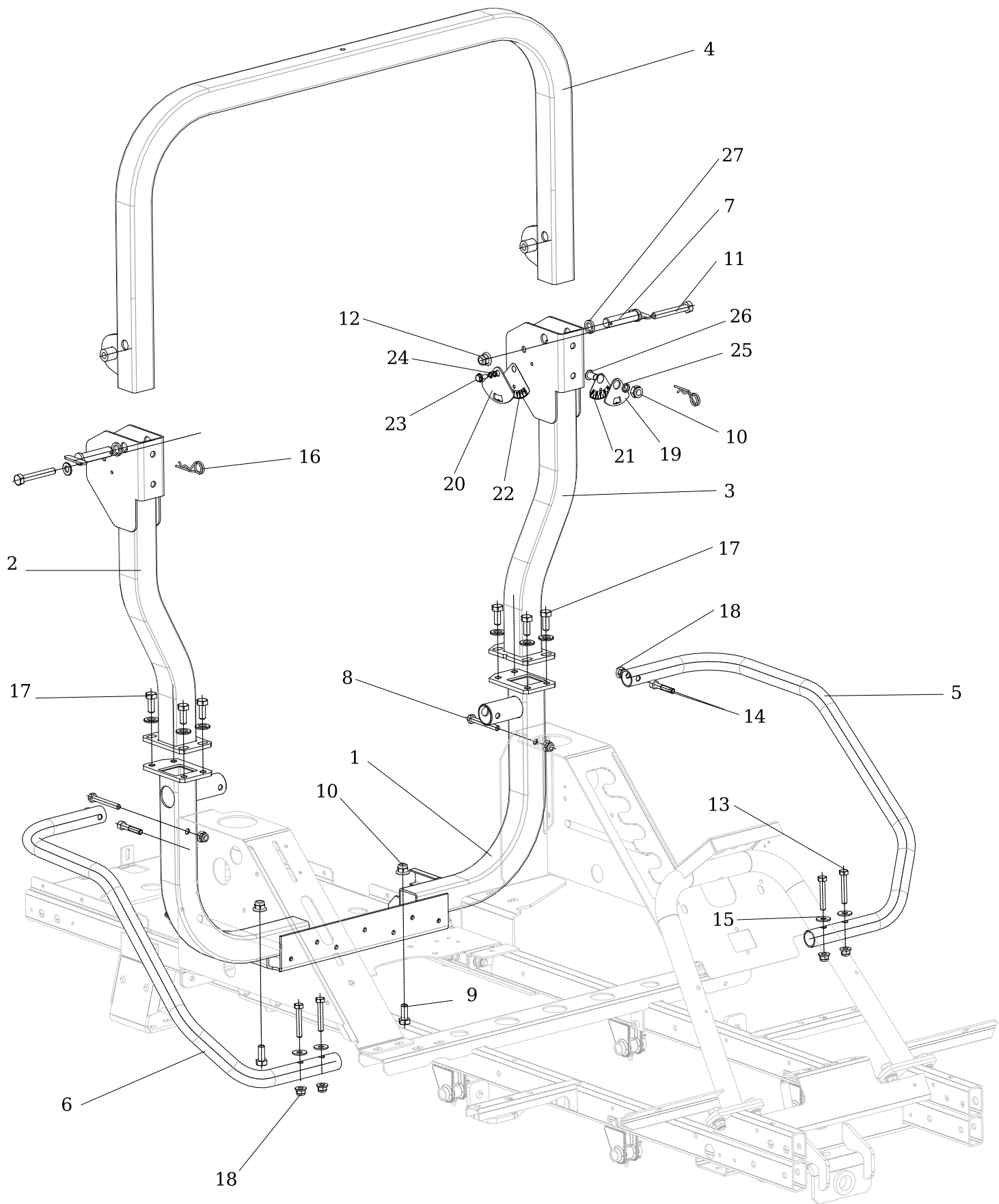
1	S532918462343	Bumper rear	1
2	S532918462353	Bumper front	1
3	N532151690	Hood front 9-1849-473 RAL6032	1
4	N532151476	Panel 0-8048-271	1
5	N532151694	Battery cover 0-1847-218 RAL6032	1
6	N532151695	Foot floor 9-1847-303 RAL 6032	1
7	N532151696		1
8	S532914302473	Clip	2
9	S532985412753	Cover complete	1
10	S532013418193	Hood-frame holder	1
11	S532013418193	Hood-frame holder	1
12	N532151286	Duster holder 0-1847-460	1
13	S532096263753	Steering wheel cover	1
14	N309578012	Screw M 8X30 DIN 6921 8.8 Zinc	4
15	N309578517	SCREW M 6X16 DIN 7500D BN 3326	6
16	N309503519	Screw M 10X60	4
17	N321841090	Blind flange 50x30x3 black	2
18	N311129523	Nut M 10 DIN 6926 Zinc	4
19	N532150290	Nut M 8 DIN 6926 8 Zinc	16
20	N309543501	Screw M 8x40	8
21	N321841087	Dished plug 40mm	4
22	N532150903	Seating D7-201-802-010	14
23	N532150904	Pin D7-201-711-010	14
24	N532151328	Cover glas for reflector	1
25	N532151324	Pulley cover 0-8540-653	1
26	S532014309293	Washer	1
27	S532015402013	Safety tube	1
28	N309503543	Screw M 8X35	4
29	N311129501	Nut M 8	4
30	S532013409163	Stopper	2
31	N273192061	Rubber tension ladder	1
32	N532151498	Tension pin 24x19 MM	2
33	N309203557	Screw M 5X25	2
34	N311129524	Nut M 5 DIN 6926 Zinc	2



## KGC13-15-0001

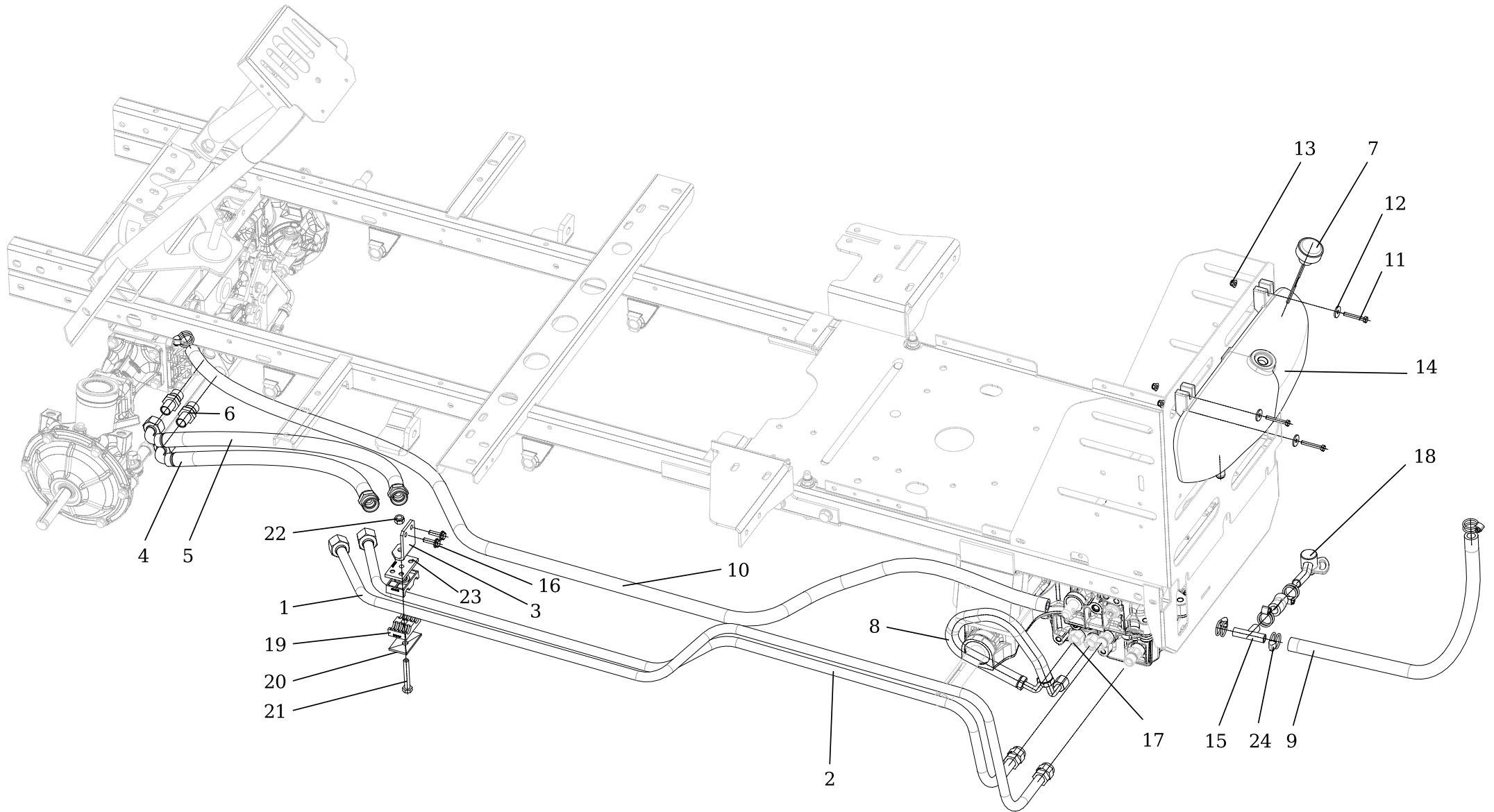
1	S532085415933	Cover rear	1
2	S532013418163	Light holder left	1
3	S532013418173	Light holder right	1
4	S532113408563	Switch holder	1
5	S532113415873	Switch holder	1
6	S532014402193	Sensor holder	1
7	S532097412093	Neutral spring	1
8	N345359004	Microswitch MKH 12 D 13-S1	2
9	N309578545	Screw M 6x10 DIN 7500 D	4
10	S532113408583	Battery clamp	2
11	S532195203473	Spacer ring	2
12	N341271208	Light rear KS004096	2
13	N532150994	Switch DELTA 6700-01B	1
14	N532151619	Solenoid Trombetta 764-1221-210	1
15	N345211059	Power outlet 4800128	1
16	N443116002	Soft start module 5219-278-002	1
17	N443433009	Display KS004078	1
18	N443433003	Hour-meter SEN DEC DIGITAL	1
19	N345329023	Switch VDD2S001 9ZZCR 100	1
20	N345329017	Contact	1
21	N532151116	Rivet 282702	2
22	N443861007	Switch box Delta 6900-47 P	1
23	N443900137	Starting key DELTA 688P-001	1
24	N345329025	Switch 1932.3413	1
25	N309578544	Screw M 5x12 DIN 7500D BN3326	2
26	N309503508	Screw M6X16	2
27	N309503563	Screw M 6x40	1
28	N309578518	Screw M8X30 DIN 7500D BN 3326	2
29	N309543503	Screw M 4x12	4
30	N311129514	Nut M4	4
31	N273125006	Cover 273 125 020 050	2
32	N532150211	Clip WSBH 1-0-1	14
33	N309578517	SCREW M 6X16 DIN 7500D BN 3326	25
34	N311210502	Washer 6.4	3
35	N311129525	Nut M 6 DIN 6926	3





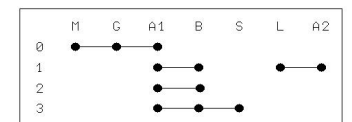
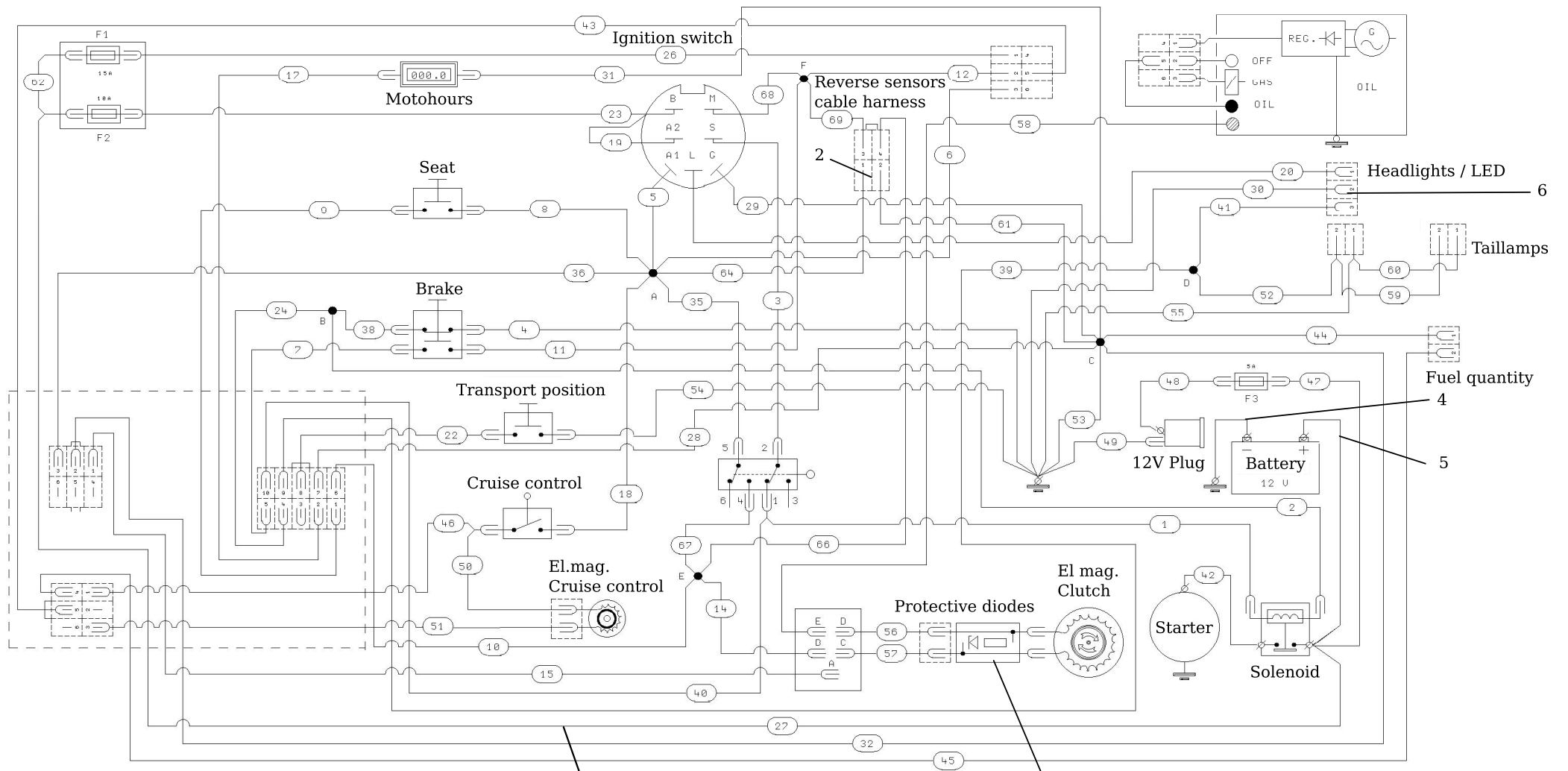
## KGC15-14-0001

1	S532985423933	ROPS base complete	1
2	S532985423913	Web ROPS right	1
3	S532985423903	Web ROPS left	1
4	S532985423943	ROPS folding frame	1
5	S532013425913	Handle left GC	1
6	S532013425923	Handle right GC	1
7	S532993463303	Pin ROPS complete	2
8	N309503568	Screw M 8x65	2
9	N309503502	Screw M 10X25	2
10	N311129523	Nut M 10 DIN 6926 Zinc	4
11	N309503576	Screw M 10x70	2
12	N311129502	Nut M 10	2
13	N309503533	Screw M 8x50	4
14	N309543011	Screw M 8x45 8.8 A2L ISO 4762	2
15	N311212517	Washer 9 Zinc	6
16	N315238005	Flexible spindle 0-9245-233	2
17	N309578529	Screw M10X25KL100 Ripp. V. DACROM	8
18	N532150290	Nut M 8 DIN 6926 8 Zinc	8
19	S532086304103	Tilt meter axial	1
20	S532086304113	Tilt meter cross	1
21	N283293016	Label 0-8730-294 lengthwise	1
22	N283293017	Label 0-8730-295 cross	1
23	N309578517	SCREW M 6X16 DIN 7500D BN 3326	1
24	N311214501	Washer 6	2
25	S532095209023	Spacer	1
26	N309578541	Screw M 10x16 BN1206 10.9	1
27	N548712042	Sealing ring MVQ 15x4	2



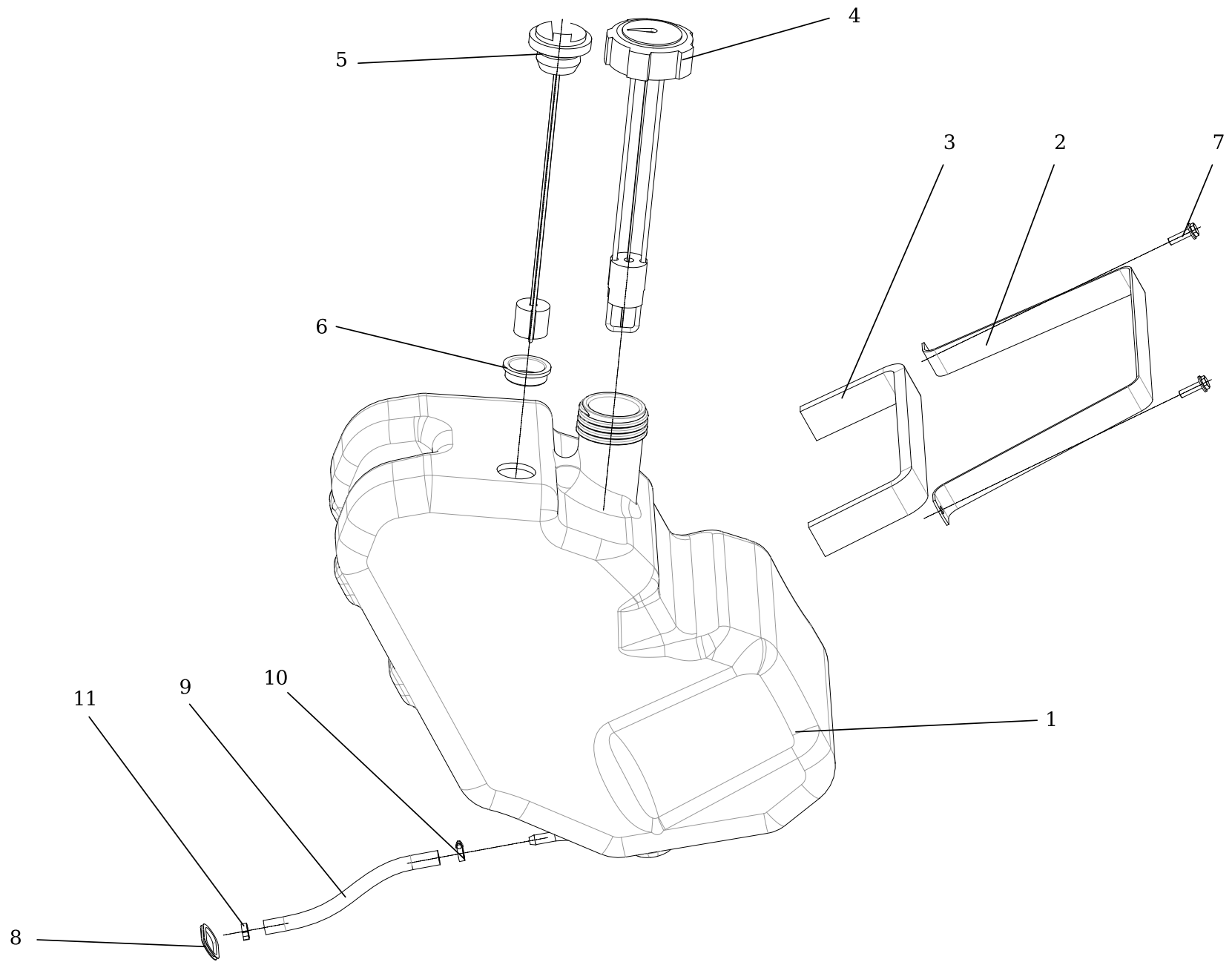
KGC19-17-0001

1	N532151272	Tube bottom compl. 9-7446-214	1
2	N532151273	Tube upper compl. 9-7446-215	1
3	S532013425983	Tube holder	1
4	N336631110	Hydraulic hose DN 12-500	1
5	N336631111	Hydraulich hose DN 12-520	1
6	N336681010	Throat XAL 15-3/4 UNF WD	2
7	N532150766	stop gap 1-9310-763	1
8	N336631108	Hydraulic hose DN10-580	1
9	S532082204263	Hose exp. tank GC	1
10	S532082204253	Hose exp. GC	1
11	N309203556	Screw M 5X35	3
12	N311212518	Washer 5.5 Zinc	3
13	N311129524	Nut M 5 DIN 6926 Zinc	3
14	N232130017	Tank 0-2766-217	1
15	N532151101	Clip TS 13	1
16	N309578517	SCREW M 6X16 DIN 7500D BN 3326	2
17	N336681015	Throat 9/16-18 UNF/M18x1.5DIN2353	2
18	N203801047	Throat 0-8247-203 cast compl.	1
19	N336681016	Tube holder double	1
20	N336681017	Covering board 2 M8 Zn DIN3015	1
21	N309503556	Screw M5x35	1
22	N532150290	Nut M 8 DIN 6926 8 Zinc	1
23	N336681018	Hard-surface board 2 M8 Zn	1
24	N548241022	Wire screw-in clip W19-22mm	6



KGC20-15-0001

1	N341271199	Wiring harness KS004076	1
2	N341271193	Switches harness KS 004081	1
3	N341271052	Protective diodes harness 9-8316-	1
4	N341271175	Conductor 9-8316-626 minus	1
5	N341271176	Conductor 9-8316-625 plus	1
6	N341271177	Wiring harness KS004054	1



KGC21-13-0001

1	N232130022	Fuel tank 0-2766-221 GC	1
2	S532013418183	Tank belt	1
3	S532092304283	Rubber belt L 400	1
4	N532151284	Tank cap with fuel gauge L=10.5	1
5	N443422005	Reserve senzor E-Senzor 100	1
6	N273192053	Sealing Gromet 201428	1
7	N309578538	Screw M 6x20 DIN 7500	2
8	N273121029	Rubber sleeve 22X4	1
9	S532986018013	Fuel hose GC	1
10	N548241017	Hose clip 8-12 Zinc	1
11	N000532058	Clip UM 5008	1