

Mikasa

PLATE COMPACTOR
MVC-F80
MVC-F80 VAS
PARTS LIST



MIKASA SANGYO CO.,LTD.

405-04804

PARTS REMARK INDEX

How to read the marks and remarks used in this parts book.

Section 1 : Explanation of Code Use In “MRK” Column

OO : Interchangeable between the new part and the old one.

XX : Not Interchangeable between new and old.

OX : New part is usable for the old machine but the old part is not usable for the new machine.

XO : The old part is usable for the new machine but the new part is not usable for the old machine.

Note : In case of the lack of interchangeability between the new part and old part, a new part may be used by replacing all other parts found in the assembly. In this case, refer to section 2 for instruction on identifying other parts involved in a new assembly.

AD : Newly established(added)

DC : Suspended(discontinued)

NC : Part number changed

QC : Quantity used has been changed

NS : Not supplied individually but supplied in an assembly or a group.

AS : Special part designed to allow interchangeability between new and old part.

CR : Correction

Section 2 : Items Found In “Remark” Column

Serial Numbers — Where indicated, this indicates a serial number range (inclusive) where a particular part is used.

Model Number — Where indicated, this shows that the corresponding part is utilized only with this specific model number or model number variant.

or * : All parts with the same number following # or * belong to the same assembly. this part cannot be interchanged individually with any other assemblies to replace an old part (indicated by #), with a new part(indicated by *), then all other parts of that assembly must be replaced with new ones.

Note : If more than one of the same reference number is listed, the last one listed indicates newest(or latest)part available.

Section 3: Example

REF NO.	PART NO.	PART NAME	QTY	MRK	REMARKS
457(1)	5122-09230	Hinge Metal, Upper/24g	1		-1070 #3 (5)
457(2)	5072-09420	Hinge Metal, Upper M16	1	OX(3)	U1071-(6) *3(7)

(1) Old part

(2) New part

(3) New part usable with old machine, but old part not usable with new machine (reference section 1).

(4) Old part number is used through this machine serial number.

(5) Old part, used in an assembly with other parts marked with #3. To use this part on a new machine, all other parts in this assembly must be replaced with old ones.

(6) New part put into use starting with this serial number and is still current.

(7) New part used in an assembly with other parts marked *3, to use this part as a replacement for an old part, all other *3 marked parts must be changed at the same time.

Section 4: Items Found In “MK2” Column

(only for suspended products)

! OO (“OO” is shown in figure) : The part shown in lower line is supplied.

! SD : Not available due to termination of production.

! NS : Not supplied individually, but supplied in an assembly or a group.

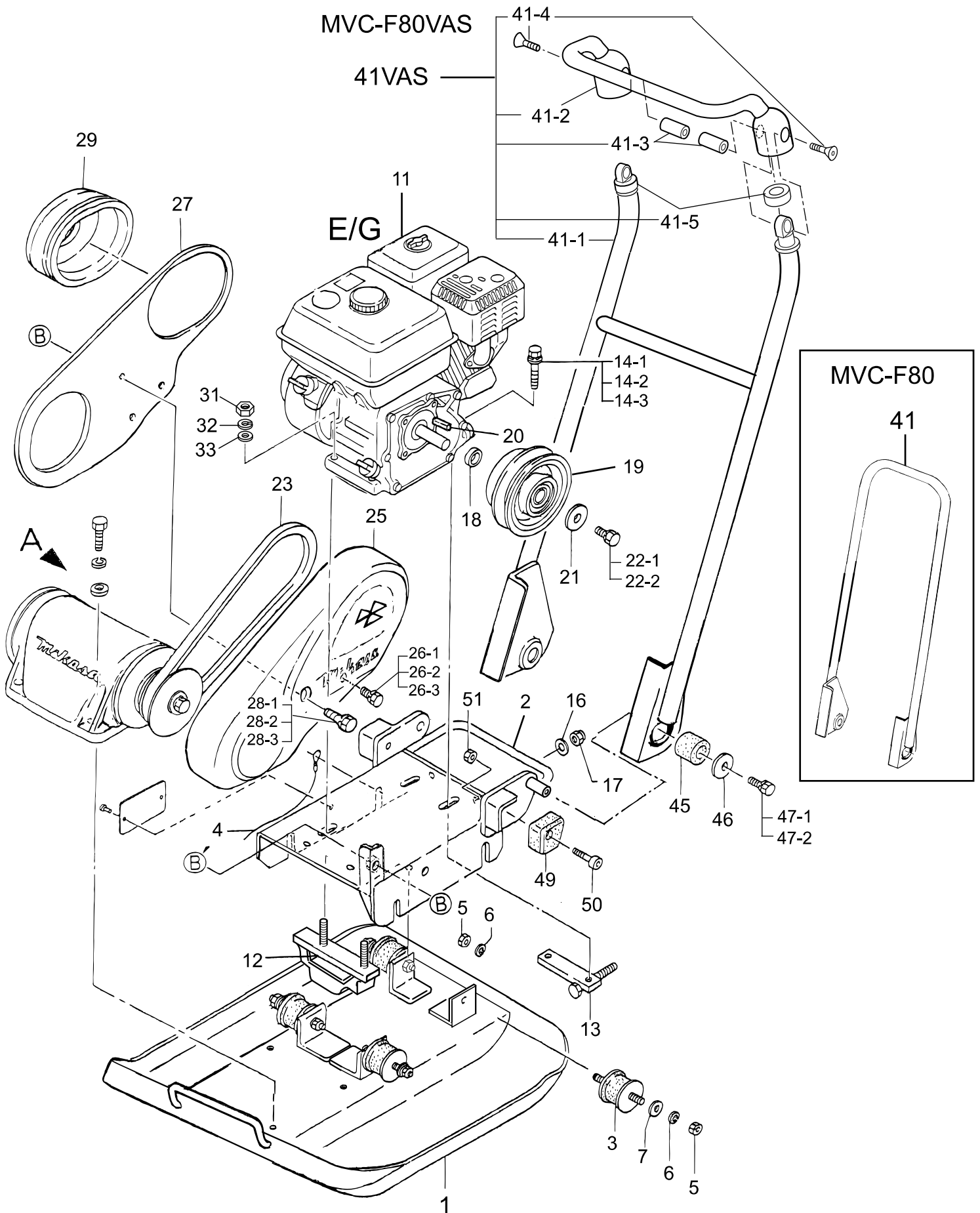
! PD : Supplied as unit product.

SS : Not available after stock run out.

(The contents of this parts catalog are subject to change without notice.)

MVC-F80 / F80 VAS
BODY / 本体

4NT1



**MVC-F80/F80VAS
BODY**

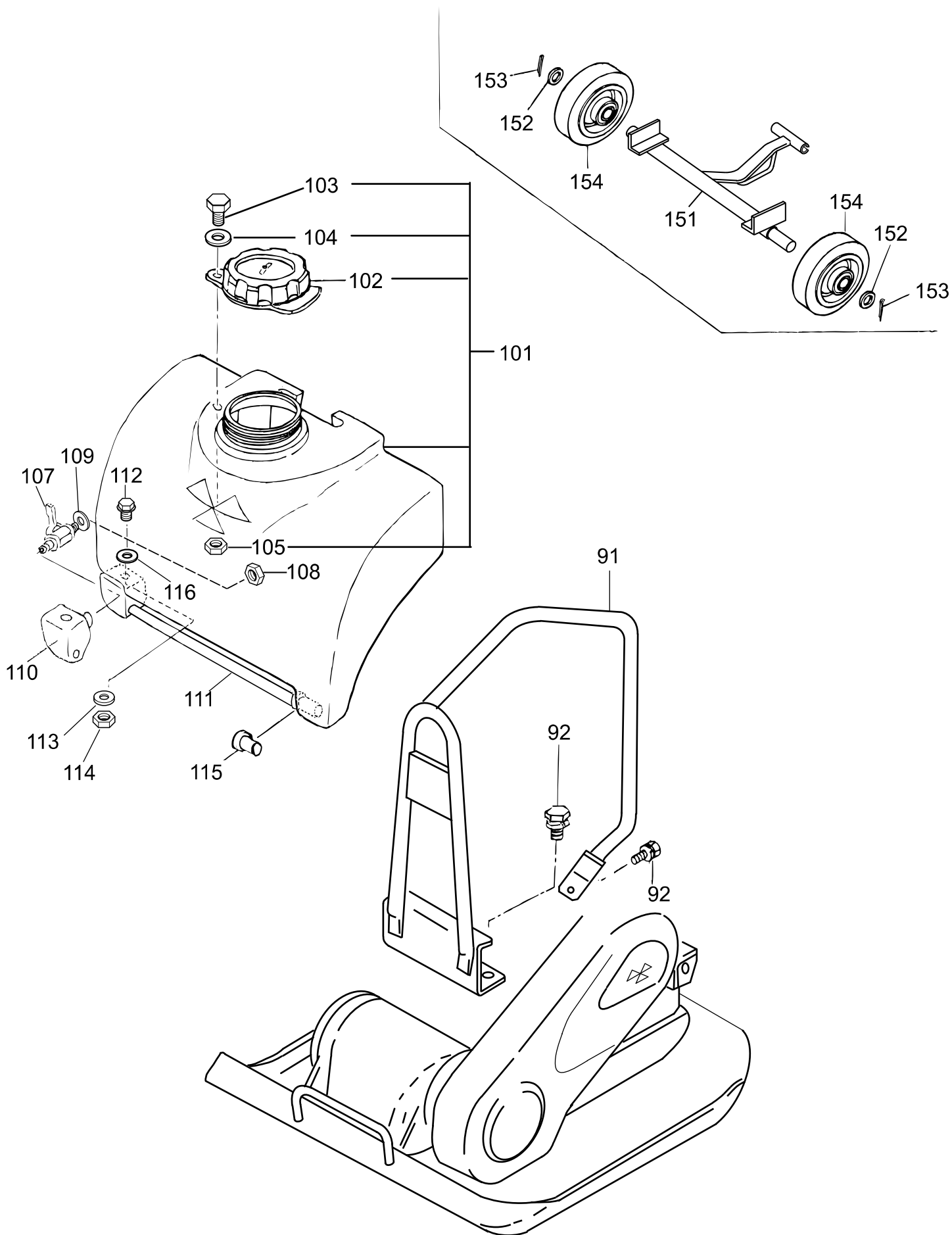
2010/3/5

**** 4NT ****

REF NO.	PART NO.	PART NAME	Q' TY	MRK	MK2	REMARKS
1	4181-18530	VIB. PLATE 570X450/MVC-F80	1		SX	
2	4182-16501	BASE / MVC-F70	1			
3	9390-10254	SHOK ABSORBER D45-H41	4			
4	9594-04350	EARTH WIRE	1			
5	0203-10080	NUT M10	8			
6	0302-10250	SW M10	8			
7	0311-10160	PW M10	4			
11	9122-16010	ENGINE AY GX160U1/MVC-88G	1			GX160
11	9112-21703	ENGINE AY EX17 EXP/BL/MM	1			EX17
12	4184-57750	BOLT, ENGINE/MVC-F70	1			
13	4134-36870	ENGINE NUT, REAR /MVC-60	1			
14 -1	0012-20840	BOLT 8X40 T	2			
14 -2	0302-08200	SW M8	2			
14 -3	0311-08160	PW M8	2			
16	0311-08160	PW M8	1			
17	0227-10809	NYLON NUT M8	1			
18	4084-21270	CLUTCH SPACER 20. 2X25X9. 4	1			
19	4133-32920	CLUTCH AY S20-A1-124/EY20	1			
20	005-30052-01	KEY	1			
21	9524-00130	WASHER 9304	1			
22 -1	0012-20820	BOLT 8X20 T	1			
22 -2	0302-08200	SW M8	1			
23	0701-00312	V-BELT RPF-3310	1			
25	4182-16470	BELT COVER MQ-OR/F60, 70	1			MQ-OR
25	4182-16460	BELT COVER / MVC-F60, F70	1	SX		EXP-GR
26 -1	0012-21035	BOLT 10X35 T	1			
26 -2	0302-10250	SW M10	1			
26 -3	0311-10160	PW M10	1			
27	4182-16480	BELT COVER (IN) /MVC-F60, 70	1			
28 -1	0012-21053	BOLT 10X65 T	1			
28 -2	0302-10250	SW M10	1			
28 -3	0311-10160	PW M10	1			
29	4183-43420	COVER SEAL (E/G) /F60, F70	1			
31	0203-08060	NUT M8	2			
32	0302-08200	SW M8	2			
33	0311-08160	PW M8	2			
41	4132-16250	HANDLE LONG / IT, FR, ES, NR	1			
41 VAS	4189-10070	VAS HANDLE ASSY /F60	1	SX		VAS
41 -1	4182-17050	VAS HANDLE BODY/MVC-F60	1			VAS
41 -2	4182-17060	GRIP, VAS HANDLE/MVC-F60	1			VAS
41 -3	4164-59320	HANDLE NUT, VAS HANDLE/88G	2			VAS
41 -4	0091-20407	SUNK HEAD BOLT 10X20 T	2			VAS
41 -5	4164-59340	RUBBER, VAS HANDLE/MVC-88G	2			VAS
45	4044-33430	RUBBER 20X32X28. 5/52H	2			
46	9524-03450	WASHER 11X35X4. 5	2			
47 -1	0012-21020	BOLT 10X20 T	2			
47 -2	0302-10250	SW M10	2			
49	4134-36720	RUBBER, HANDLE /MVC-60	2			
50	0015-20845	SOCKET HEAD BOLT 8X45 T	2			
51	0203-08060	NUT M8	2			

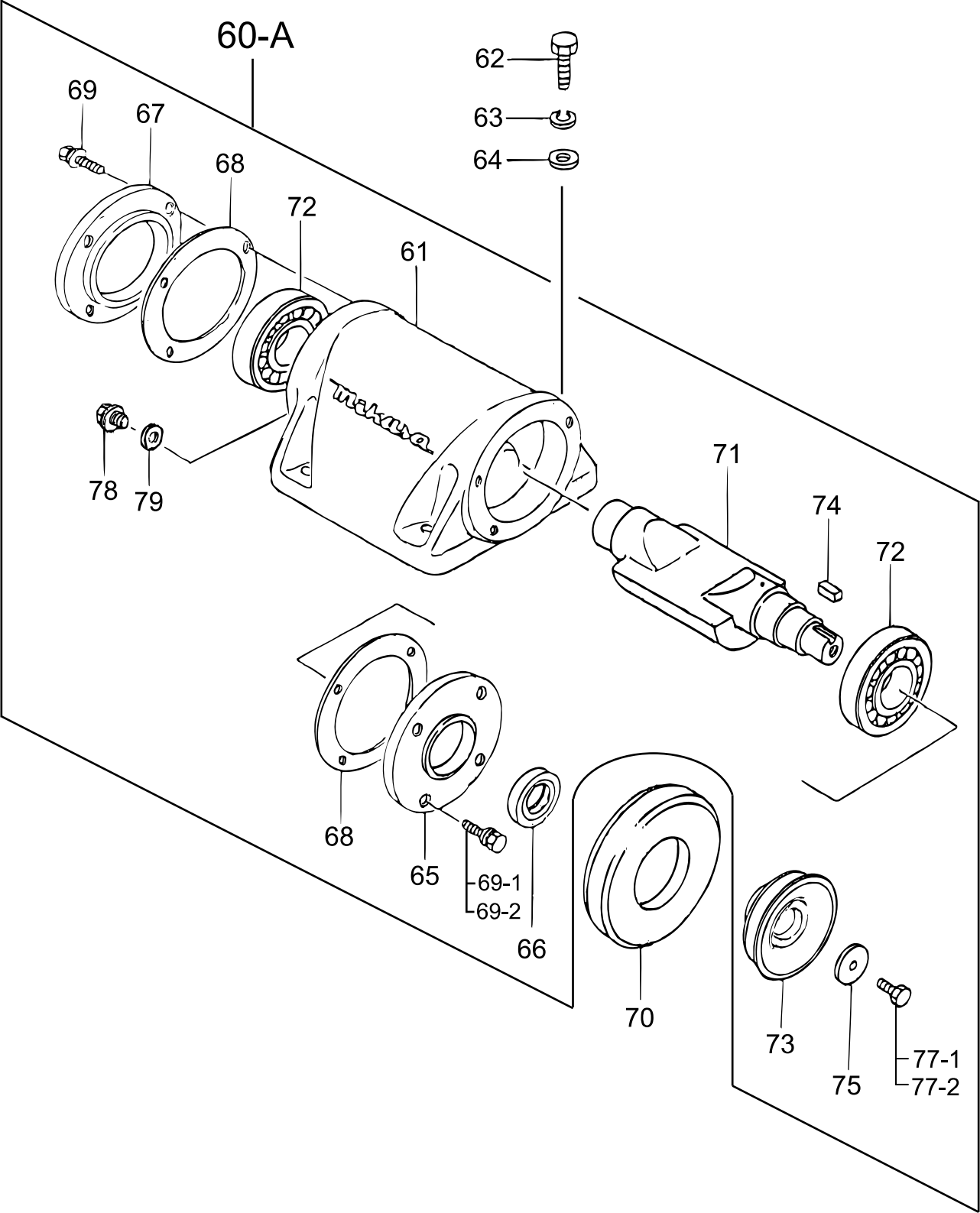
MVC-F80 / F80 VAS
ACCESSORIES

／ 装備品（フック、散水装置、移動車）



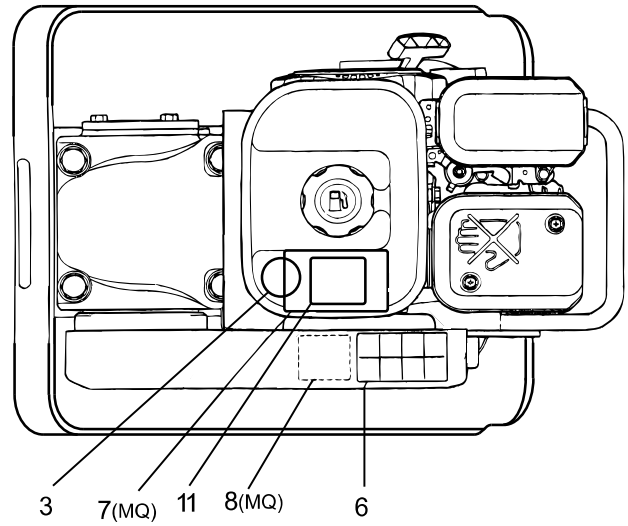
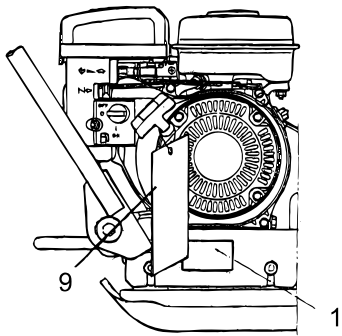
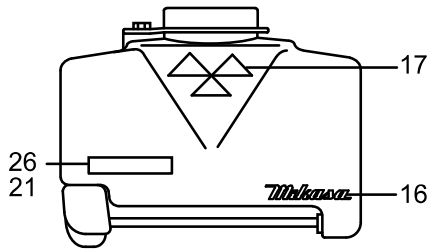
MVC-F80 / F80 VAS
VIBRATOR / 起振体

4NV1

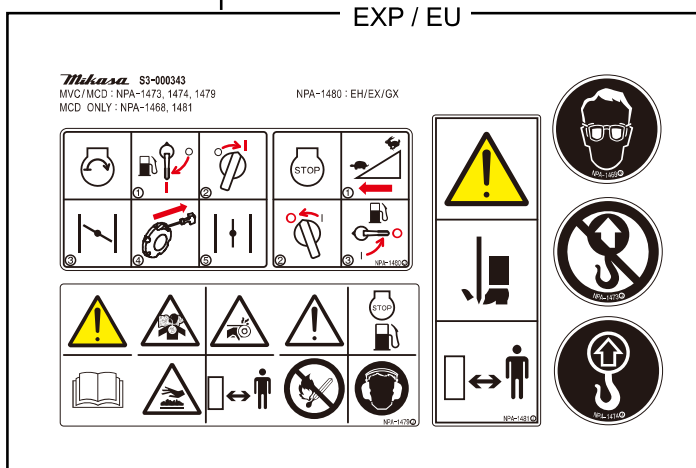


MVC-F80 / F80VAS NAME PLATES

4NW1



45



MVC-F80/F80VAS

2010/3/18

NAME PLATES

**** 4NW ****

REF NO.	PART NO.	PART NAME	Q' TY	MRK	MK2	REMARKS
1	9202-11790	PLATE SERIAL NO. /80VEW/MQ	1			80VEW/MQ
1	9202-11800	PLATE SERIAL NO. /80VHW/MQ	1			80VHW/MQ
1	9202-11830	PLATE SERIAL NO. /80VH/MQ	1			80VH/MQ
1	9202-11840	PLATE SERIAL NO. /80VE/MQ	1			80VE/MQ
1	9202-11810	PLATE, SERIAL NO. /F80H	1			F80H
1	9202-13510	PLATE, SERIAL NO. /F80H/W	1			F80H/W
1	9202-13520	PLATE, SERIAL NO. /F80H	1			F80H
1	9202-11820	PLATE, SERIAL NO. /F80E	1			F80E
1	9202-13970	PLATE, SERIAL NO. /F80R/W	1			F80R/W
1	9202-13980	PLATE, SERIAL NO. /F80R	1			F80R
1	9202-12000	PLATE, SERIAL NO. /F80H VAS	1			F80H VAS
1	9202-12001	PLATE, SERIAL NO. /F80H VAS	1			F80H VAS
1	9202-12002	PLATE, SERIALNO. /F80HVAS/W	1			F80H VAS/W
1	9202-12760	PLATE, SERIAL NO. /F80HVAS	1			F80H VAS
1	9202-12761	PLATE, SERIAL NO. /F80HVAS	1			F80H VAS
1	9202-11990	PLATE, SERIAL NO. /F80E VAS	1			F80E VAS
1	9202-11991	PLATE, SERIAL NO. /F80R VAS	1			F80R VAS
1	9202-12750	PLATE, SERIAL NO. /F80R VAS	1			F80R VAS
1	9202-12530	PLATE, SERIAL NO. /F90R	1			F90R
6	9202-09890	DECAL, CAUTION (ICON) /R60	1			
7	9202-03290	DECAL, CAUTION	1			MQ
8	9202-12320	DECAL, FUEL CAUTION/MVC	1			MQ
9	9202-00870	DECAL, WITHOUT ENGINE OIL	1			EXP
9	9202-14100	DECAL , E/G FIRE WARNING	1			MQ
11	9202-10330	DECAL, EC NOISE REQ. LWA105	1			
16	9201-05070	DECAL, MIKASA MARK 125MM	1			WATER TANK
17	9201-01410	DECAL, MIKASA MARK 120X60	1			WATER TANK
21	9202-01580	DECAL, MQ MARK 71X55	1			MQ/W. TANK
26	9202-07820	DECAL, IMER	1			IMER/W. TANK
45	9209-00090	DECAL, SET/MVC-MCD/EXP, EU	1	AD		EXP/EU



MIKASA SANGYO CO.,LTD.

HEAD OFFICE
NO. 4-3. 1-CHOME, SARUGAKU-CHO, CHIYODA-KU
TOKYO, JAPAN