

PARTS LIST

BLOCK PLATE COMPACTOR

M V B - 8 5

405-02802

MIKASA SANGYO CO.,LTD.

PARTS REMARK INDEX

How to read the marks and remarks used in this parts book.

Section 1 : Explanation of Code Use In “MRK” Column

OO : Interchangeable between the new part and the old one.

XX : Not Interchangeable between new and old.

OX : New part is usable for the old machine but the old part is not usable for the new machine.

XO : The old part is usable for the new machine but the new part is not usable for the old machine.

Note : In case of the lack of interchangeability between the new part and old part, a new part may be used by replacing all other parts found in the assembly. In this case, refer to section 2 for instruction on identifying other parts involved in a new assembly.

AD : Newly established(added)

DC : Suspended(discontinued)

NC : Part number changed

QC : Quantity used has been changed

NS : Not supplied individually but supplied in an assembly or a group.

AS : Special part designed to allow interchangeability between new and old part.

CR : Correction

Section 2 : Items Found In “Remark” Column

Serial Numbers - Where indicated, this indicates a serial number range (inclusive) where a particular part is used.

Model Number - Where indicated, this shows that the corresponding part is utilized only with this specific model number or model number variant.

or * : All parts with the same number following # or * belong to the same assembly. this part cannot be interchanged individually with any other assemblies to replace an old part (indicated by #), with a new part(indicated by *), then all other parts of that assembly must be replaced with new ones.

Note : If more than one of the same reference number is listed, the last one listed indicates newest(or latest)part available.

Section 3: Example

REF NO.	PART NO.	PART NAME	QTY	MRK	REMARKS
457(1)	5122-09230	Hinge Metal, Upper/24g	1		-1070 #3 (5)
457(2)	5072-09420	Hinge Metal, Upper M16	1	OX(3)	U1071-(6) * 3(7)

(1) Old part

(2) New part

(3) New part usable with old machine, but old part not usable with new machine (reference section 1).

(4) Old part number is used through this machine serial number.

(5) Old part, used in an assembly with other parts marked with #3. To use this part on a new machine, all other parts in this assembly must be replaced with old ones.

(6) New part put into use starting with this serial number and is still current.

(7) New part used in an assembly with other parts marked * 3, to use this part as a replacement for an old part, all other * 3 marked parts must be changed at the same time.

Section 4: Items Found In “MK2” Column

(only for suspended products)

! OO (“OO” is shown in figure) : The part shown in lower line is supplied.

! SD : Not available due to termination of production.

! NS : Not supplied individually, but supplied in an assembly or a group.

! PD : Supplied as unit product.

SS : Not available after stock run out.

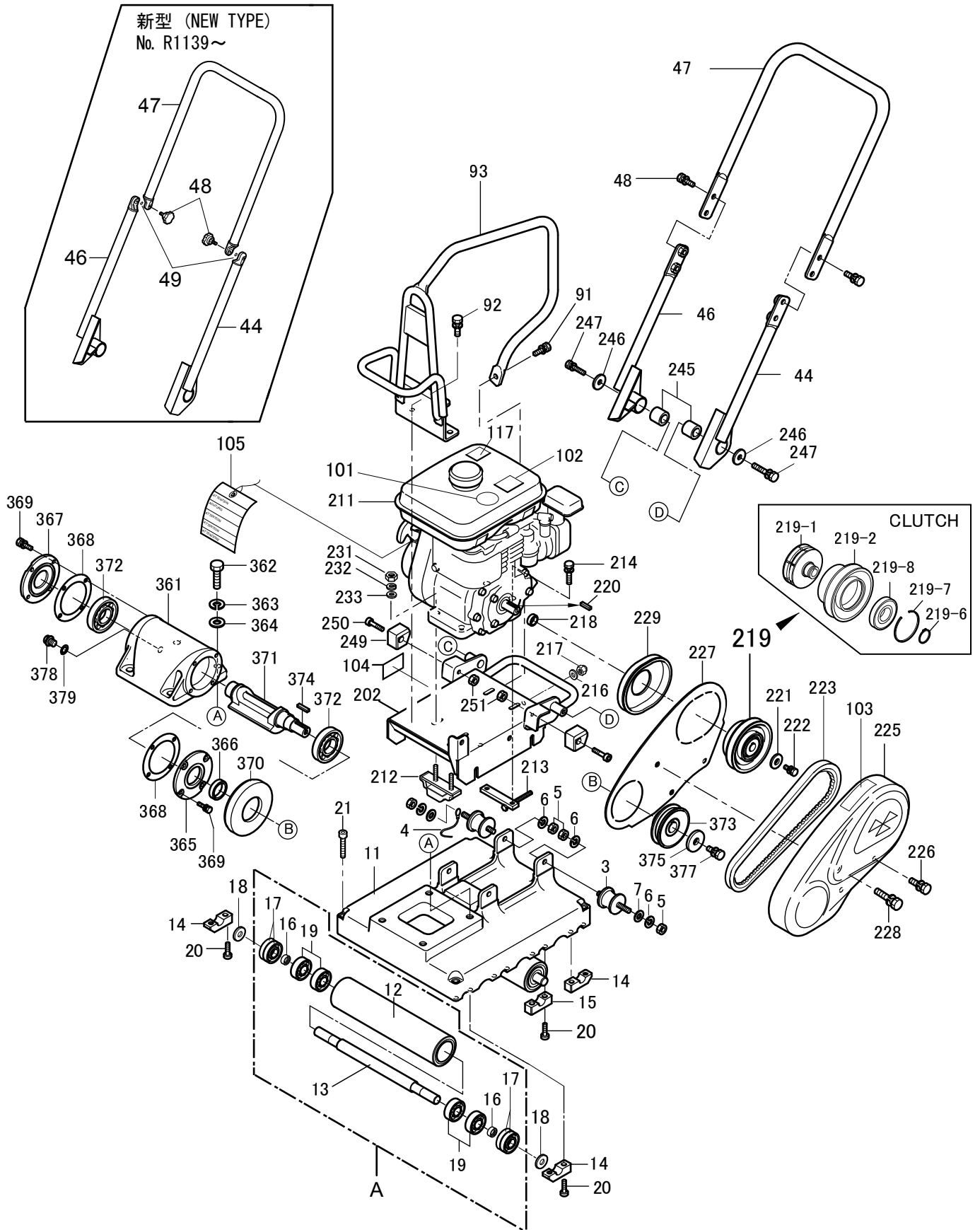
(The contents of this parts catalog are subject to change without notice.)

MVB-85

VIBRATING CONCRETE BLOCK PLATE COMPACTOR

ブロックプレート(輾圧整形仕上機)

4NB0



VIBRATING CONCRETE BLOCK PLATE COMPACTOR

** 4NB

**

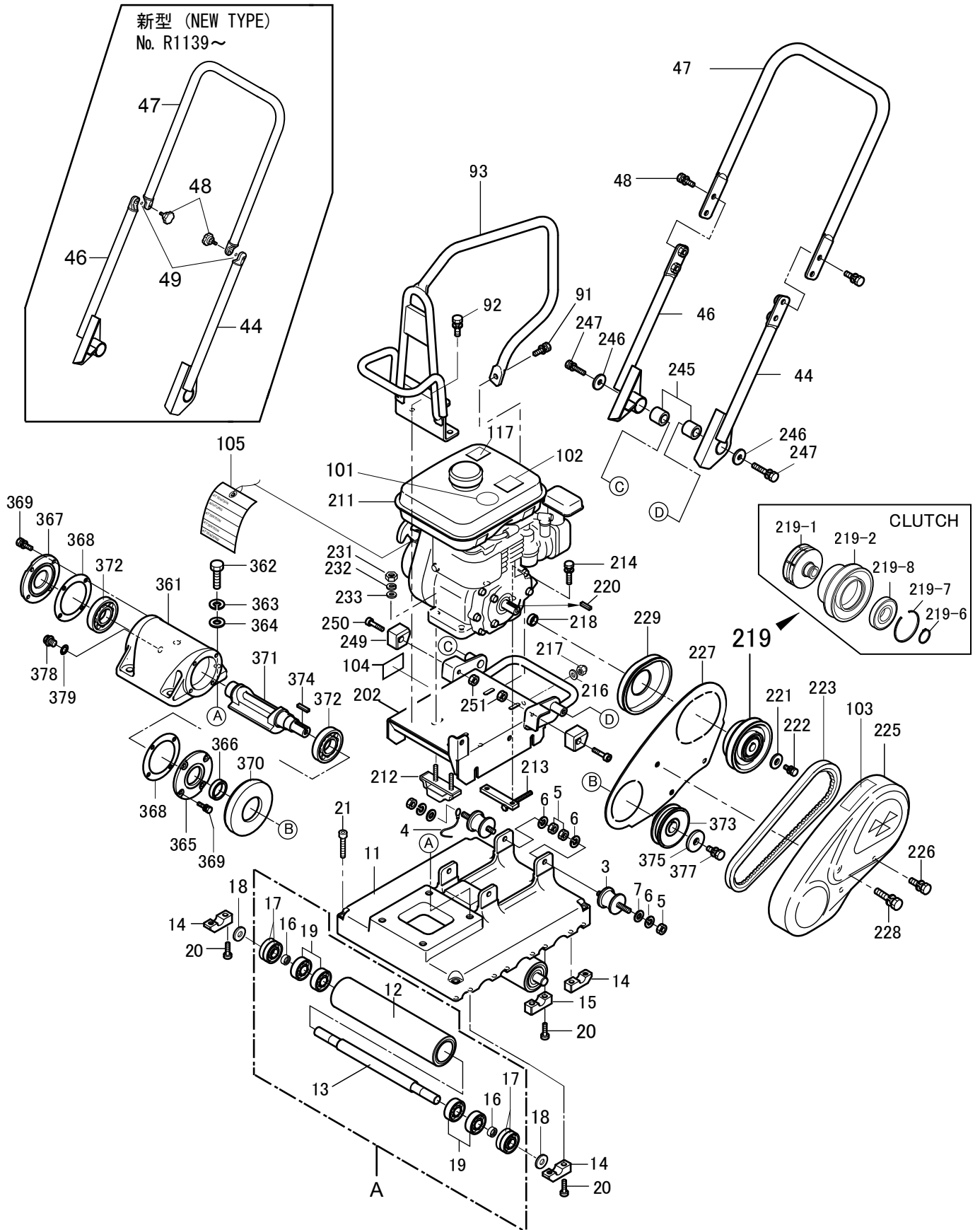
REF NO.	PART NO.	PART NAME	Q' TY	MRK	MK2	REMARKS
A	4189-10090	ROLLER AY/MVB-85	4			
3	9390-10254	SHOK ABSORBER D45-H41	4			
4	9594-04350	EARTH WIRE	1			
5	0203-10080	NUT M10	8			
6	0302-10250	SW M10	8			
7	0311-10160	PW M10	4			
11	4181-18110	FRAME / MVB-85	1			
12	4183-44260	ROLL / MVB-85	4			
13	4183-44270	ROLL SHAFT /MVB-85	4			
14	4184-58130	SHAFT HOLDER (END)/MVB-85	4			
15	4184-58140	SHAFT HOLDER (INSIDE)MVB85	4			
16	0499-20010	NEEDLE BEARING/INNER RING	8			
17	0606-02050	OIL SEAL / KE25525	16			
18	9524-02281	WASHER 21363 (DELTRIN)	8			
19	0460-06304	BEARING 6304DDU	16			
20	0015-21025	SOCKET HEAD BOLT 10X25 T	12			
21	0015-21052	SOCKET HEAD BOLT 10X60 T	4			
44	4184-58160	HANDLEBAR / LEFT / MVB-85	1			#2
44	4183-46780	HANDLE (LOWER, L) /MVB-85	1	XX		*2, R1139-
46	4184-58150	HANDLEBAR / RIGHT /MVB-85	1			#2
46	4183-46790	HANDLE (LOWER, R) /MVB-85	1	XX		*2, R1139-
47	4134-55500	FLEXURE HANDLE/UPPER /MVC	1			#2
47	4183-46400	HANDLE (UPPER) /MVC-F60VL	1	XX	SX	*2, R1139-
48	0022-11030	BOLT 10X30 H, SW	4			#2
48	9594-06961	GRIP BOLT 45X10X30	2	AD		*2, R1139-
49	0502-00080	O-RING P-8	2	AD	SX	*2, R1139-
91	0022-11030	BOLT 10X30 H, SW	1			
92	0022-11025	BOLT 10X25 H, SW	2			
93	4182-16870	HOOK / MVB-85	1			
101	9202-03330	EAR PROTECTION LABEL	1			
102	9201-08350	DECAL, CAUTION(MANUAL)	1			JPN
103	9202-09890	DECAL, CAUTION(ICON) /R60	1			
104	9202-11150	PLATE , SERIAL NO. / MVB-85	1			JPN
104	9202-10010	PLATE, SERIAL NO. / EU	1			EXP.
105	9202-00870	DECAL, WITHOUT ENGINE OIL	1			EXP.
117	9202-10330	DECAL, EC NOISE REQ. LWA105	1			IMER
202	4182-16491	BASE / MVC-F60	1		!4182-16890	
211	9112-11209	ENGINE AY EH12/MVC50G-JPN	1		SX	JPN
211	9112-11207	ENGINE AY EH12D/EXP-WHITE	1			EXP.
212	4184-57690	BOLT, ENGINE/MVC-F60	1			
213	4134-36870	ENGINE NUT, REAR /MVC-60	1			
214	0024-10840	BOLT 8X40 H, SW, PW	2			
216	0311-08160	PW M8	1			
217	0227-10809	NYLON NUT M8	1			
218	4044-18150	SPACER 18X25X8/CLUTCH	1			
219	4604-46780	CLUTCH AY A1 /65W	1			
219 -1	9439-20080	CLUTCH, SHAFT, A, Y/MVR-65W	1			
219 -2	9410-10400	CRUTCH PULLY A1124-S18D	1			
219 -6	0802-00300	STOP RING S-30	1			
219 -7	0806-00550	STOP RING AR-55	1			
219 -8	0460-06006	BEARING 6006DDU	1			
220	032-00501-50	KEY	1			E/G PART
221	9524-00130	WASHER 9304	1			
222	0022-10825	BOLT 8X25 H, SW	1			
223	0701-00312	V-BELT RPF-3310	1			
225	4182-16460	BELT COVER / MVC-F60, F70	1		SX	
226	0024-11035	BOLT 10X35 H, SW, PW	1			
227	4182-16480	BELT COVER (IN) /MVC-F60, 70	1			
228	0012-21053	BOLT 10X65 T	1			*1
228	0302-10250	SW M10	1			*1
228	0311-10160	PW M10	1			*1
229	4183-43420	COVER SEAL (E/G) /F60, F70	1			
231	0203-08060	NUT M8	2			
232	0302-08200	SW M8	2			
233	0311-08160	PW M8	2			

MVB-85

VIBRATING CONCRETE BLOCK PLATE COMPACTOR

ブロックプレート(輾圧整形仕上機)

4NB0





MIKASA SANGYO CO.,LTD.

HEAD OFFICE

NO. 4-3. 1-CHOME, SARUGAKU-CHO, CHIYODA-KU
TOKYO, JAPAN