

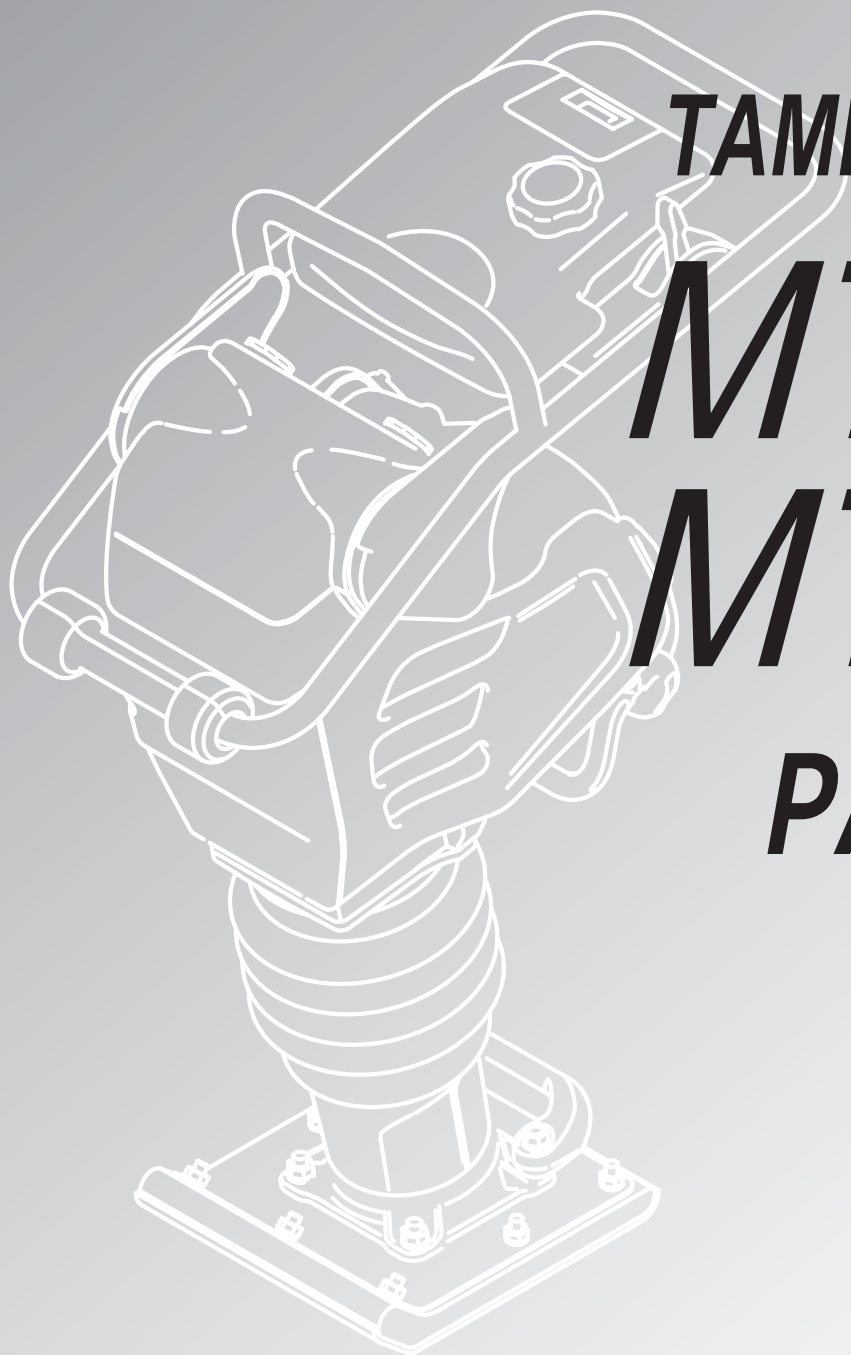


TAMPING RAMMER

MTX-80

MTX-90

PARTS LIST



MIKASA SANGYO CO.,LTD.

305-03704

PARTS REMARK INDEX

How to read the marks and remarks used in this parts book.

Section 1 : Explanation of Code Use In “MRK” Column

OO : Interchangeable between the new part and the old one.

XX : Not Interchangeable between new and old.

OX : New part is usable for the old machine but the old part is not usable for the new machine.

XO : The old part is usable for the new machine but the new part is not usable for the old machine.

Note : In case of the lack of interchangeability between the new part and old part, a new part may be used by replacing all other parts found in the assembly. In this case, refer to section 2 for instruction on identifying other parts involved in a new assembly.

AD : Newly established(added)

DC : Suspended(discontinued)

NC : Part number changed

QC : Quantity used has been changed

NS : Not supplied individually but supplied in an assembly or a group.

AS : Special part designed to allow interchangeability between new and old part.

CR : Correction

Section 2 : Items Found In “Remark” Column

Serial Numbers - Where indicated, this indicates a serial number range (inclusive) where a particular part is used.

Model Number - Where indicated, this shows that the corresponding part is utilized only with this specific model number or model number variant.

or * : All parts with the same number following # or * belong to the same assembly. this part cannot be interchanged individually with any other assemblies to replace an old part (indicated by #), with a new part(indicated by *), then all other parts of that assembly must be replaced with new ones.

Note : If more than one of the same reference number is listed, the last one listed indicates newest(or latest)part available.

Section 3: Example

| REF NO. | PART NO. | PART NAME | QTY | MRK | REMARKS |
|---------|------------|------------------------|-----|-------|------------------|
| 457(1) | 5122-09230 | Hinge Metal, Upper/24g | 1 | | -1070 #3 (5) |
| 457(2) | 5072-09420 | Hinge Metal, Upper M16 | 1 | OX(3) | U1071-(6) * 3(7) |

(1) Old part

(2) New part

(3) New part usable with old machine, but old part not usable with new machine (reference section 1).

(4) Old part number is used through this machine serial number.

(5) Old part, used in an assembly with other parts marked with #3. To use this part on a new machine, all other parts in this assembly must be replaced with old ones.

(6) New part put into use starting with this serial number and is still current.

(7) New part used in an assembly with other parts marked * 3, to use this part as a replacement for an old part, all other * 3 marked parts must be changed at the same time.

Section 4: Items Found In “MK2” Column

(only for suspended products)

! OO (“OO” is shown in figure) : The part shown in lower line is supplied.

! SD : Not available due to termination of production.

! NS : Not supplied individually, but supplied in an assembly or a group.

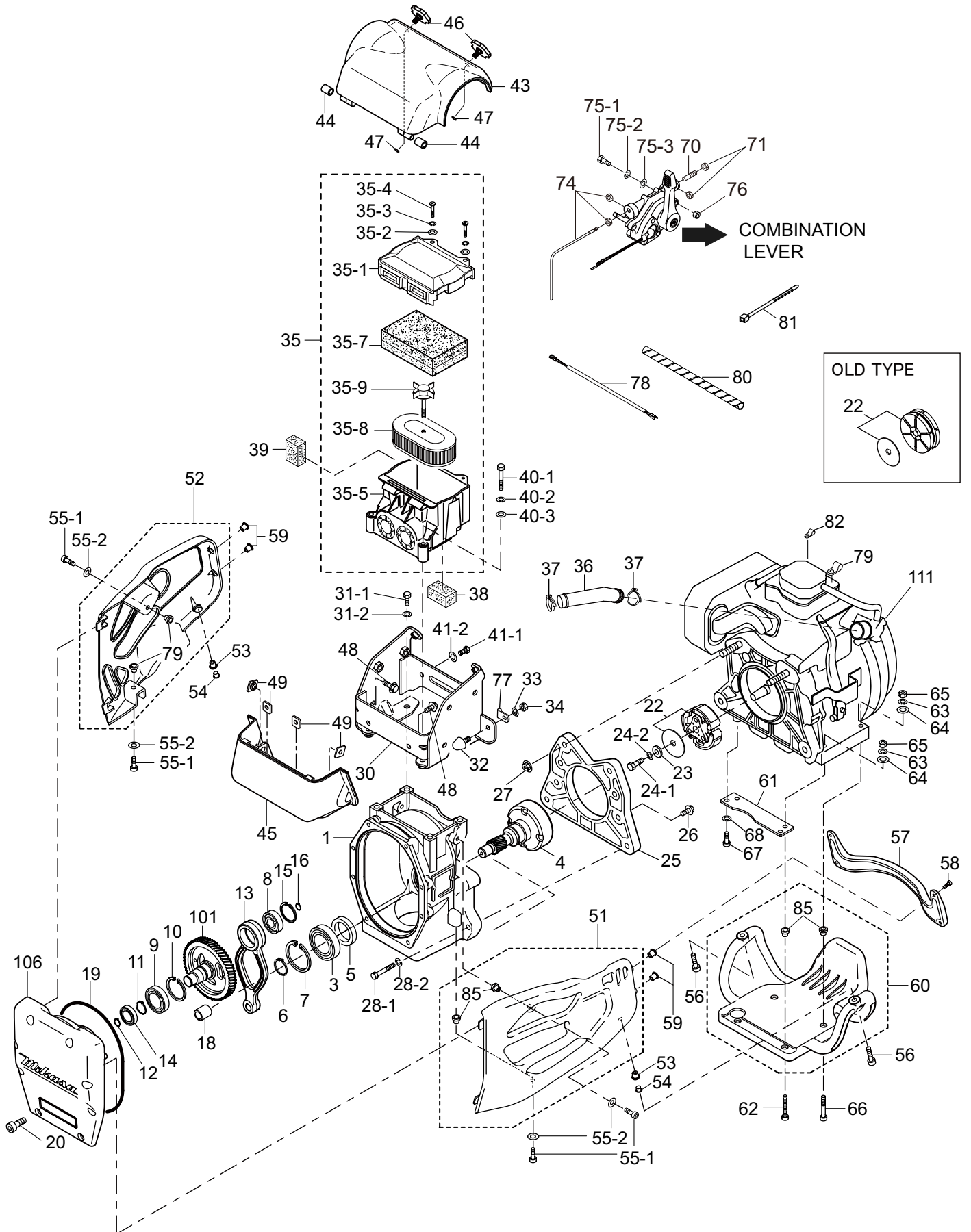
! PD : Supplied as unit product.

SS : Not available after stock run out.

(The contents of this parts catalog are subject to change without notice.)

MTX-80 , 90 CRANK CASE,ENGINE

3LY1



CRANK CASE, ENGINE

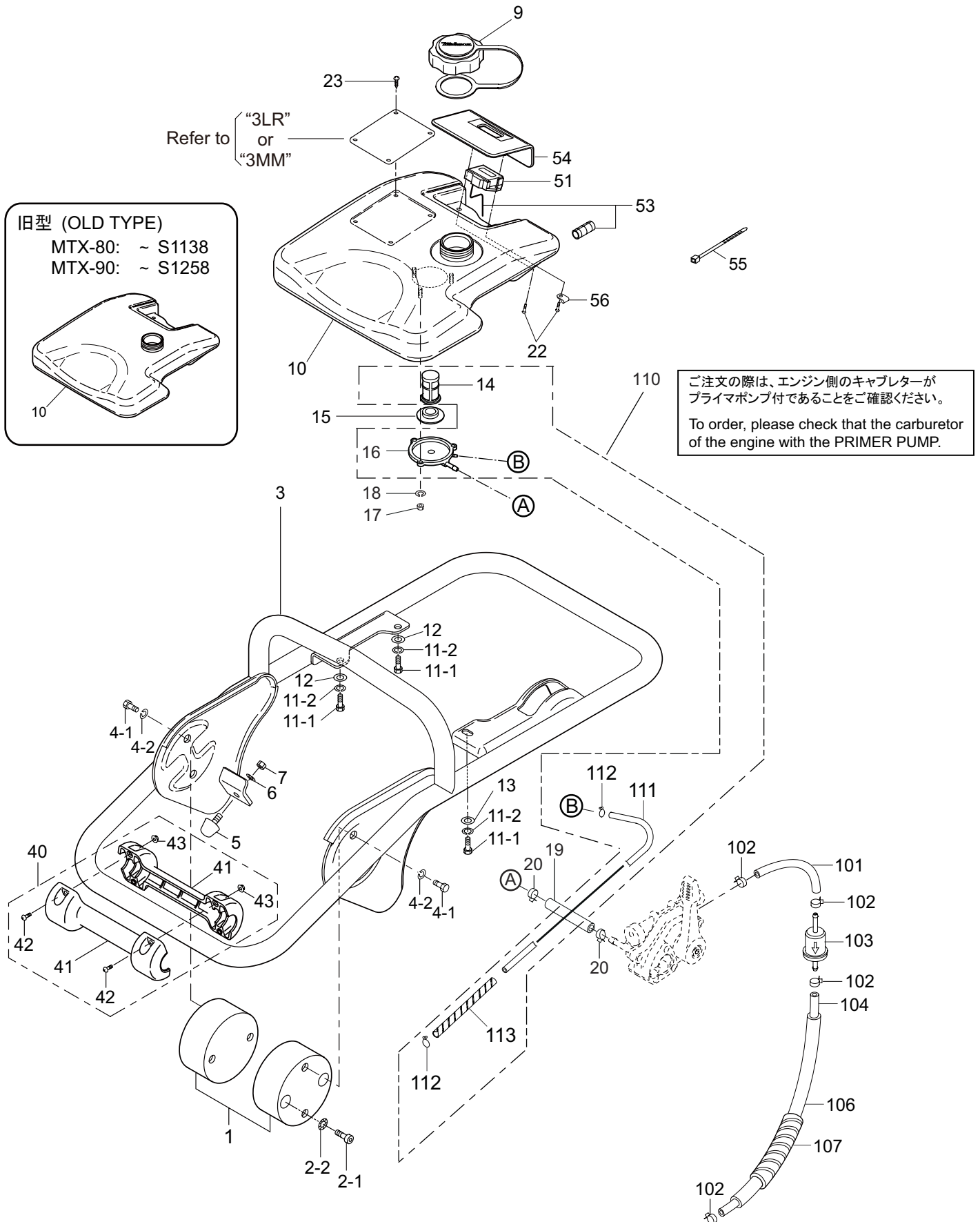
** 3LY

**

| REF NO. | PART NO. | PART NAME | Q' TY | MRK | MK2 | REMARKS |
|---------|------------|---------------------------|-------|-----|---------------|--------------|
| 1 | 3661-18940 | CRANK CASE / MTX-80 | 1 | | | |
| 3 | 0410-06007 | BEARING 6007Z | 1 | | | |
| 4 | 3673-45180 | PINION, DRUM / MTX-80 | 1 | | | |
| 5 | 0604-04010 | OIL SEAL TC-40528 | 1 | | | |
| 6 | 0802-00350 | STOP RING S-35 | 1 | | | |
| 7 | 0801-00620 | STOP RING R-62 | 1 | | | |
| 8 | 0400-06207 | BEARING 6207 | 1 | | | |
| 9 | 0400-06305 | BEARING 6305 | 1 | | | |
| 10 | 0801-00720 | STOP RING R-72 | 1 | | | |
| 11 | 0802-00350 | STOP RING S-35 | 1 | | | |
| 12 | 0802-00250 | STOP RING S-25 | 1 | | | |
| 13 | 3663-45230 | CONNECTING ROD / MTX-70 | 1 | | | |
| 14 | 0400-06304 | BEARING 6304 | 1 | | | |
| 15 | 0801-00520 | STOP RING R-52 | 1 | | | |
| 16 | 0802-00200 | STOP RING S-20 | 1 | | | |
| 18 | 0479-40060 | NEEDLE BEARING FJ-1816 | 1 | | | |
| 19 | 0507-10080 | O-RING AS568-267 | 1 | | | |
| 20 | 0015-20825 | SOCKET HEAD BOLT 8X25 T | 8 | | | |
| 22 | 3663-46210 | CLUTCH ASSY / MTX-70 | 1 | | SS!3663-48550 | -S1241-S1077 |
| 22 | 3663-48550 | CLUTCH ASSY (L)/MTX | 1 | | | MTX80 S1242- |
| 22 | 3663-48550 | CLUTCH ASSY (L)/MTX | 1 | | | MTX90 S1078- |
| 23 | 9524-01450 | WASHER 8. 5X22X3 | 1 | | | |
| 24 -1 | 0012-20825 | BOLT 8X25 T | 1 | | | |
| 24 -2 | 0302-08200 | SW M8 | 1 | | | |
| 25 | 3672-17260 | FLANGE, ENGINE / MTX-80 | 1 | | | |
| 26 | 0017-10830 | FLANGE BOLT 8X30 | 4 | | | |
| 27 | 0226-11010 | FLANGE NUT M10 H | 2 | | | |
| 28 -1 | 0012-21054 | BOLT 10X70 T | 2 | | | |
| 28 -2 | 0302-10250 | SW M10 | 2 | | | |
| 30 | 3663-46280 | BRACKET, SHOCK ABSORBER | 1 | | | |
| 31 -1 | 0012-11030 | BOLT 10X30 H | 4 | | | |
| 31 -2 | 0302-10250 | SW M10 | 4 | | | |
| 32 | 9390-10270 | STOPPER RUBBER (70) /MT | 1 | | | |
| 33 | 0302-08200 | SW M8 | 1 | | | |
| 34 | 0203-08060 | NUT M8 | 1 | | | |
| 35 | 3669-00010 | AIR CLEANER ASSY / MTX | 1 | | | |
| 35 -1 | 3660-10010 | AIR CLEANER COVER / MTX | 1 | | | |
| 35 -2 | 3660-10020 | PW M6 (6. 5X18X1. 5) | 2 | | | |
| 35 -3 | 0302-06150 | SW M6 | 2 | | | |
| 35 -4 | 3660-10040 | COIN BOLT M6 /MTX | 2 | | SX | |
| 35 -5 | 3660-10050 | BASE CP, AIR CLEANER/MTX | 1 | | | |
| 35 -7 | 3660-10070 | PRIMARY ELEMENT CP /MTX | 1 | | | |
| 35 -8 | 3660-10080 | SECONDARY ELEMENT/MTX | 1 | | | |
| 35 -9 | 3620-30040 | GRIP BOLT CP, AIR CLERNER | 1 | | | |
| 36 | 3672-17460 | PIPE, INTAKE / MTX-80 | 1 | | | |
| 37 | 9544-07682 | CYCLONE CLAMP (CY-1) 38 | 2 | | | |
| 38 | 3664-60160 | SEALING FORM, UNDER / MTX | 1 | | | |
| 39 | 3664-60150 | SEALING FORM, SIDE / MTX | 1 | | | |
| 40 -1 | 0012-20851 | BOLT 8X55 T | 2 | | | |
| 40 -2 | 0302-08200 | SW M8 | 2 | | | |
| 40 -3 | 0311-08160 | PW M8 | 2 | | | |
| 41 -1 | 0012-10815 | BOLT 8X15 H | 2 | | | |
| 41 -2 | 0302-08200 | SW M8 | 2 | | | |
| 43 | 3662-17340 | COVER, CLEANER AY (UPPER) | 1 | | | |
| 44 | 3664-60140 | RUBBER BUSH (10X16X17) | 2 | | | |
| 45 | 3662-17350 | COVER, CLEANER AY (UNDER) | 1 | | | |
| 46 | 3663-45980 | KNOB, CLEANER COVER / MTX | 2 | | | |
| 47 | 0502-00060 | O-RING P6 | 2 | | | |
| 48 | 0091-10040 | FLANGE BOLT 8X20 | 4 | | | |
| 49 | 9594-07670 | SQUARE NUT M8 | 4 | | | |
| 51 | 3671-18990 | GUARD, LINK / MTX-80 | 1 | | | |
| 52 | 3671-19000 | GUARD, MUFFLER / MTX-80 | 1 | | | |
| 53 | 0229-10260 | WELL NUT M8 | 2 | | | |
| 54 | 3664-60170 | FULANGE COLLAR 8 | 2 | | | |
| 55 -1 | 0015-20820 | SOCKET HEAD BOLT 8X20 T | 4 | | | |

MTX-80 , 90 FUEL TANK, HANDLE / 燃料タンク、ハンドル

3LZ0



FUEL TANK, HANDLE

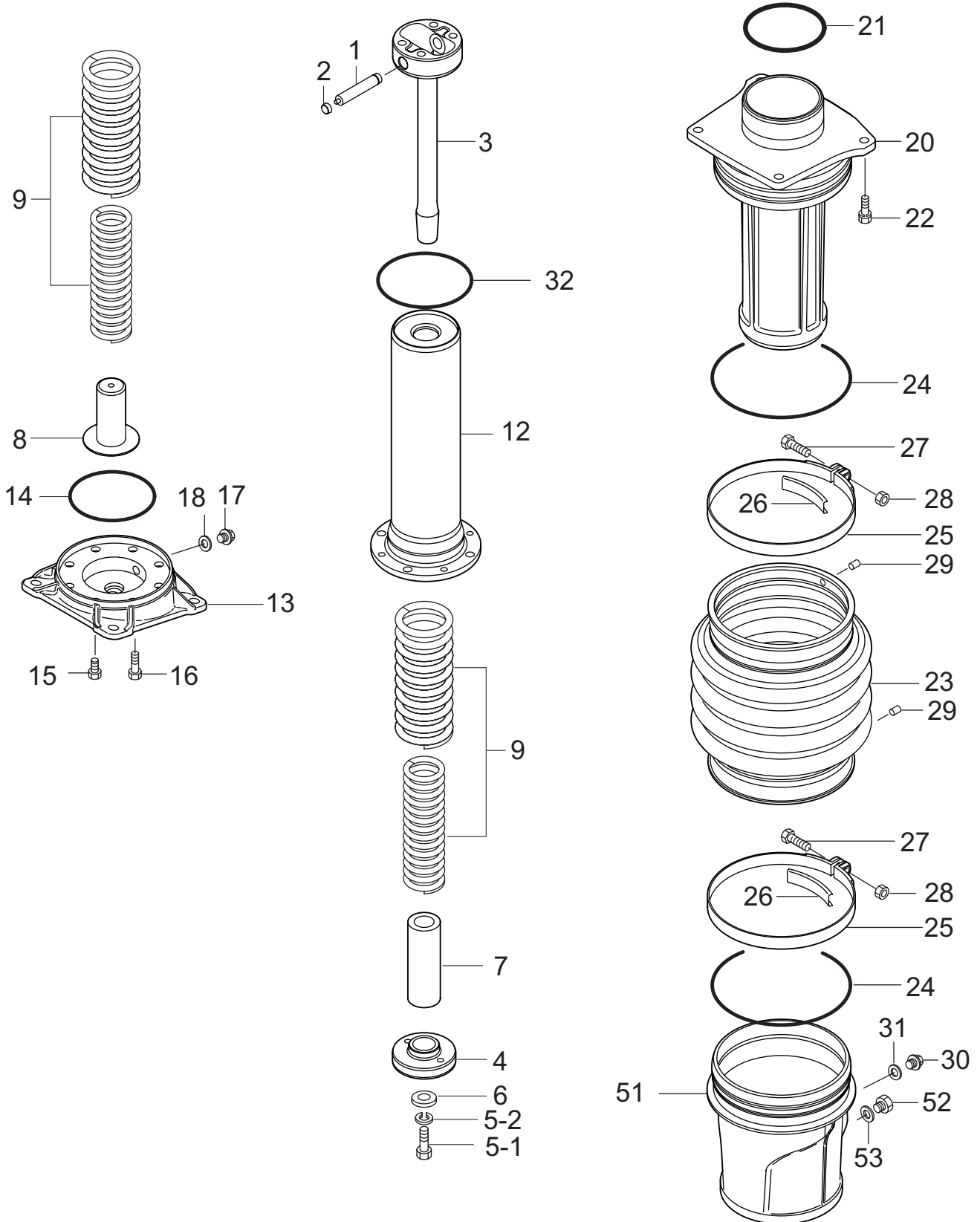
** 3LZ

**

| REF NO. | PART NO. | PART NAME | Q' TY | MRK | MK2 | REMARKS |
|---------|---------------|----------------------------|-------|-----|-----------------|--------------|
| 1 | 3663-46270 | SHOCK ABSORBER W/PIN | 2 | | | |
| 2 -1 | 0015-21020 | SOCKET HEAD BOLT 10X20 T | 4 | | | |
| 2 -2 | 0331-21009 | TOOTHED LOCK WASHER B M10 | 4 | | | |
| 3 | 3671-19050 | HANDLE / MTX-80 | 1 | | | |
| 4 -1 | 0012-11020 | BOLT 10X20 H | 4 | | | |
| 4 -2 | 0302-10250 | SW M10 | 4 | | | |
| 5 | 9390-10270 | STOPPER RUBBER (70) /MT | 2 | | | |
| 6 | 0302-08200 | SW M8 | 2 | | | |
| 7 | 0203-08060 | NUT M8 | 2 | | | |
| 8 | 3660-10060 | STRAP, TANK CAP | 1 | | | |
| 9 | 3669-00020 | CAP ASSY, FUEL TANK / MTX | 1 | | | INCL. 8 |
| 10 | 3661-18700 | FUEL TANK / MTX-70 | 1 | | !3661-18702 | OLD TYPE |
| 10 | 3661-18703 | FUEL TANK/MTX-70 | 1 | | | #1 |
| 11 -1 | 0012-10815 | BOLT 8X15 H | 3 | | | |
| 11 -2 | 0302-08200 | SW M8 | 3 | | | |
| 12 | 9524-01450 | WASHER 8.5X22X3 | 2 | | | |
| 13 | 0311-08160 | PW M8 | 1 | | | |
| 14 | 9593-00770 | STRAINER #508 / MTX-70 | 1 | | | |
| 14 | 9544-06010 | STRAINER (#110) | 1 | | | PRIMER PUMP |
| 15 | 3664-59790 | PACKING, FUEL TANK /MTX-70 | 1 | | | |
| 16 | 3663-45280 | HOLDER, FILTER | 1 | | | |
| 16 | 3663-49420 | HOLDER FILTER W/V/MTX-70 | 1 | | | PRIMER PUMP |
| 17 | 0203-05040 | NUT M5 | 3 | | | |
| 18 | 0302-05130 | SW M5 | 3 | | | |
| 19 | 9590-26122 | FUEL HOSE L=70 / MTX-70 | 1 | | | |
| 19 | 085-10417-80 | FUEL HOSE L70/EVP | 1 | XX | | MTX80 T4165- |
| 19 | 085-10417-80 | FUEL HOSE L70/EVP | 1 | | | MTX90 S1332- |
| 20 | 9544-06420 | HOSE BAND 10.5 | 2 | | | |
| 20 | 056-10800-20 | HOSE CLAMP | 2 | XX | | MTX80 T4165- |
| 20 | 056-10800-20 | HOSE CLAMP | 2 | | | MTX90 S1332- |
| 22 | 0091-10037 | TAPPING SCREW 5X20 | 2 | | | |
| 23 | 0940-10053 | PAN HEAD SCREW 4X8 | 4 | | | #1 |
| 40 | 3669-10030 | ROLLER AY, W/SCREW/MTX | 1 | | | INCL. 41-43 |
| 41 | 3662-17170 | ROLLER / MTX | 2 | | | |
| 42 | 0910-05020 | SCREW 5X20 | 4 | | | |
| 43 | 0226-10505 | FLANGE NUT M5 H | 4 | | | |
| 51 | 9550-10311 | TP-22 TACHO/HOUR METER | 1 | | | |
| 53 | 9550-10305 | CURL CORD TP-22 / MTX | 1 | | | |
| 54 | 3663-45620 | FINISHER, METER / MTX | 1 | | | |
| 55 | 4540-10020 | CLAMP TC-100 | 5 | | | |
| 56 | 9540-10270 | CLIP AB-3N | 1 | | | |
| 101 | 9590-26199 | FUEL HOSE/1M | 1 | | | L=170 |
| 101 | 085-10418-00 | FUEL HOSE L170/EVP | 1 | XX | | MTX80 T4165- |
| 101 | 085-10418-00 | FUEL HOSE L170/EVP | 1 | | | MTX90 S1332- |
| 102 | 9544-06420 | HOSE BAND 10.5 | 4 | | | |
| 102 | 056-10800-20 | HOSE CLAMP | 4 | XX | | MTX80 T4165- |
| 102 | 056-10800-20 | HOSE CLAMP | 4 | | | MTX90 S1332- |
| 103 | 263-65012-A3 | FUEL, FILTER CP | 1 | | | |
| 104 | 950014500150M | FUEL HOSE (1M) | 1 | | | L=250 |
| 104 | 085-10417-60 | FUEL HOSE L260/EVP | 1 | XX | | MTX80 T4165- |
| 104 | 085-10417-60 | FUEL HOSE L260/EVP | 1 | | | MTX90 S1332- |
| 106 | 9594-07720 | V, TUBE 11X13X180 | 1 | | S!950033600110M | L=180 |
| 107 | 9590-21824 | SPIRAL TUBE KEP6/L110 | 1 | AD | | MTX80 T4165- |
| 107 | 9590-21824 | SPIRAL TUBE KEP6/L110 | 1 | AD | | MTX90 S1332- |
| 110 | 3669-00060 | PRIMER PUMP KIT/NO CARB | 1 | | | PRIMER PUMP |
| 111 | 9590-28301 | RETURN HOSE 3X6X600/MTX | 1 | | | PRIMER PUMP |
| 112 | 9544-08170 | HOSE CLIP 5 | 2 | | | PRIMER PUMP |
| 113 | 9590-21814 | SPIRAL TUBE 6D-200L | 1 | | !!9590-21810 | PRIMER PUMP |
| 113 | 9590-21810 | SPIRAL TUBE KEP6/L=500 | 1 | | | PRIMER PUMP |

MTX-80 , 90
 SPRING CYLINDER, GUIDE CYLINDER

3LU0



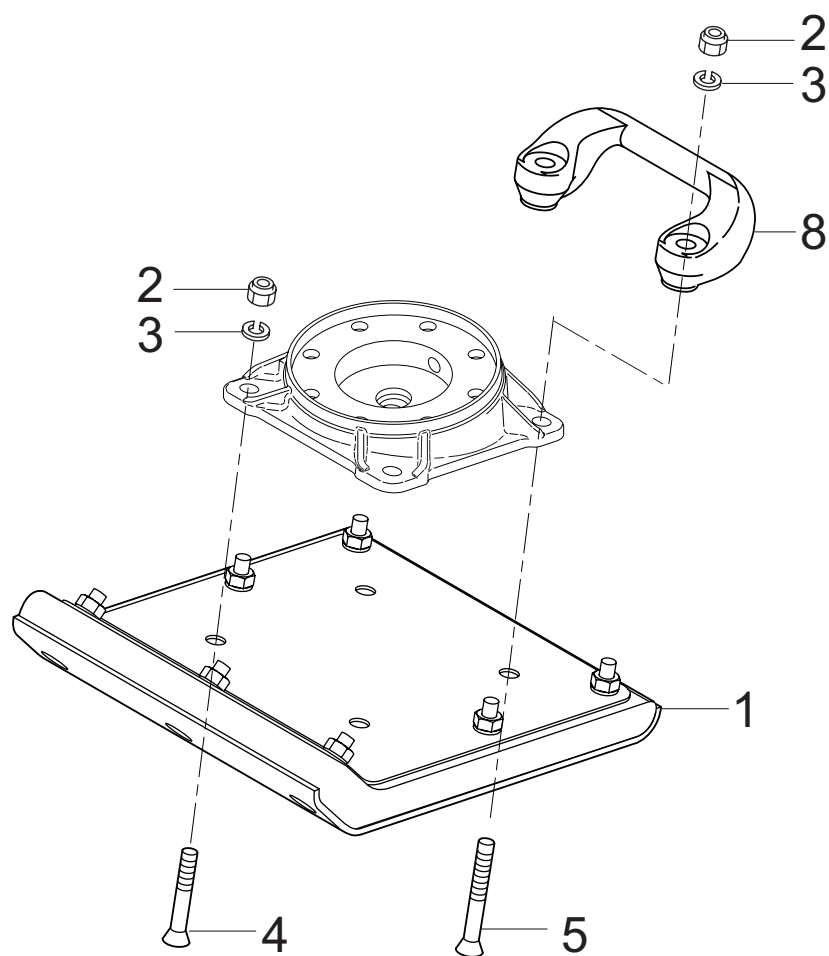
SPRING CYLINDER, GUIDE CYLINDER

** 3LU **

| REF NO. | PART NO. | PART NAME | Q' TY | MRK | MK2 | REMARKS |
|---------|------------|-----------------------------|-------|-----|-----|-----------|
| 1 | 3664-60100 | PISTON PIN / MTX-70 | 1 | | | |
| 2 | 3664-59910 | PLUG, PISTON PIN / MTX-70 | 2 | | | |
| 3 | 3663-46000 | PISTON ROD / MTX-70 | 1 | | | |
| 4 | 3714-59690 | PISTON END/MT-76D, 2HOLE | 1 | | | |
| 5 -1 | 0011-21230 | BOLT 12X30 T P1.5 | 1 | | | |
| 5 -2 | 0302-12300 | SW M12 | 1 | | | |
| 6 | 9524-04790 | WASHER 13306 | 1 | | | |
| 7 | 3554-47260 | STOPPER, LOWER /MT-63W | 1 | | | |
| 8 | 3664-59900 | STOPPER, BOTTOM / MTX-70 | 1 | | | |
| 9 | 3664-59730 | MAIN SPRING / MTX-70 | 2 | | | |
| 12 | 3663-45990 | SPRING CYLINDER / MTX-70 | 1 | | | |
| 13 | 3662-17210 | FOOT PLATE 12 / MTX-70 | 1 | | | |
| 14 | 0501-00900 | O-RING G-90 | 1 | | | |
| 15 | 0015-21020 | SOCKET HEAD BOLT 10X20 T | 4 | | | |
| 16 | 0015-21040 | SOCKET HEAD BOLT 10X40 T | 4 | | | |
| 17 | 9534-05270 | PLUG 1/4X14 13L | 1 | | | |
| 18 | 9534-05260 | PACKING 1/4 (CU) | 1 | | | |
| 20 | 3662-17440 | GUIDE CYLINDER / MTX-70 | 1 | | | MTX-70/80 |
| 20 | 3672-17450 | GUIDE CYLINDER / MTX-90 | 1 | | | MTX-90 |
| 21 | 0507-10070 | O-RING AS568-344 | 1 | | | |
| 22 | 0022-11035 | BOLT 10X35 H, SW | 4 | | | MTX-70/80 |
| 22 | 0022-11045 | BOLT 10X45 H, SW | 4 | | | MTX-90 |
| 23 | 3540-10010 | BELLOWS, ORANGE/MT-70V, 63W | 1 | | | |
| 24 | 0509-31500 | O-RING JASO3150 | 2 | | | |
| 25 | 3543-36352 | BELLOWS CLAMP(1.6T)171D | 2 | | | |
| 26 | 3544-42340 | BAND GUIDE, BELLOWS /MT68 | 2 | | | |
| 27 | 0012-20840 | BOLT 8X40 T | 2 | | | |
| 28 | 0203-08060 | NUT M8 | 2 | | | |
| 29 | 3544-46170 | PIN 6D-8.5L | 2 | | | |
| 30 | 9534-05270 | PLUG 1/4X14 13L | 1 | | | |
| 31 | 9534-05260 | PACKING 1/4 (CU) | 1 | | | |
| 32 | 0502-00950 | O-RING P-95 | 1 | | | |
| 51 | 3661-18590 | PROTECTION SLEEVE/MTX-70E | 1 | | | |
| 52 | 3664-60300 | OIL GAUGE ASSY / MTX | 1 | | | |
| 53 | 9534-04670 | COPPER PACKING 17X25.5X1 | 1 | | | |
| | | | | | | |
| | | | | | | |
| | | | | | | |

MTX-80 , 90
FOOT

3LV0

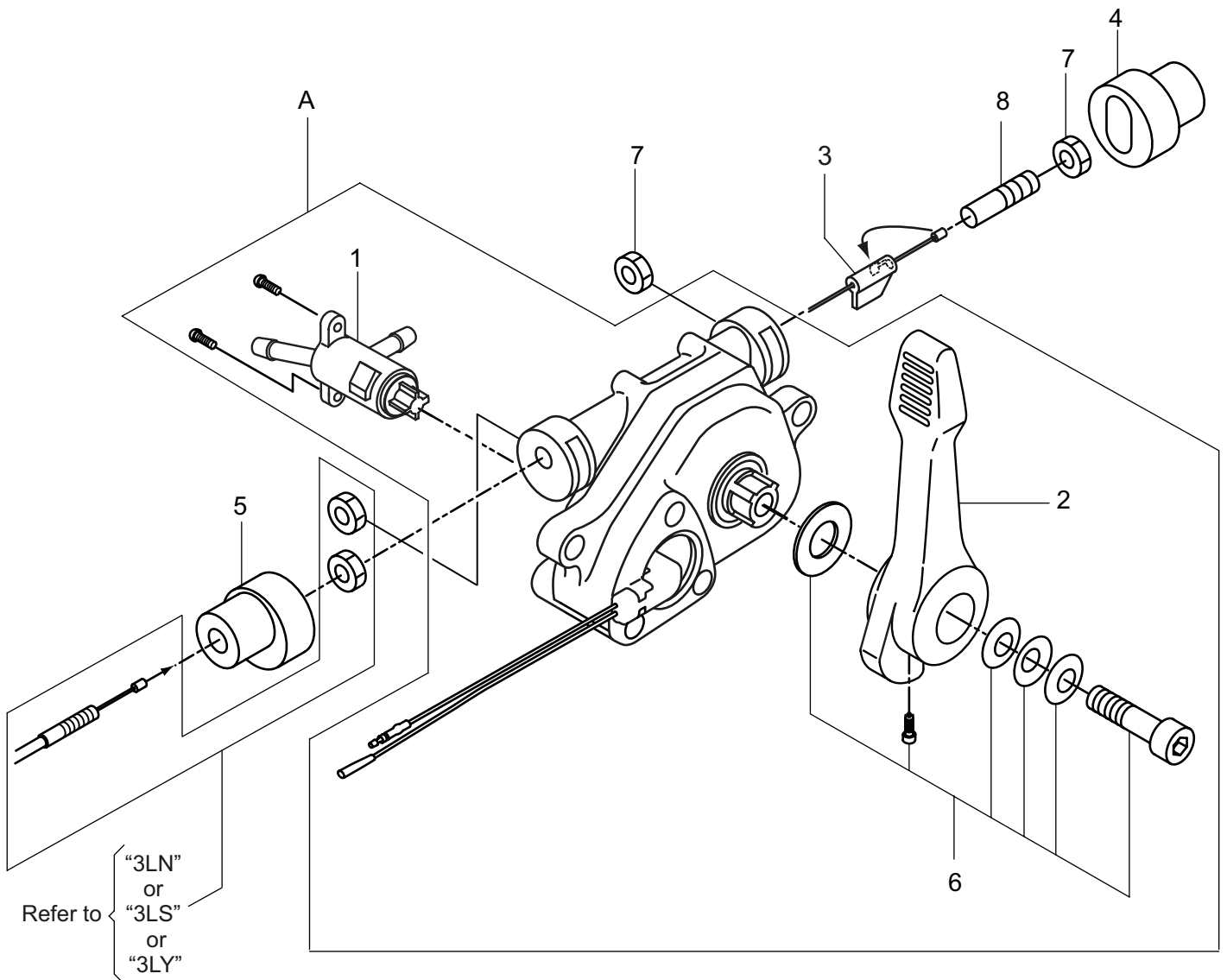


MTX-60 , 70 , 80 , 90

3LW0

COMBINATION LEVER / コンビネーションレバー

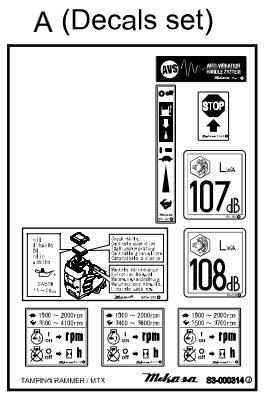
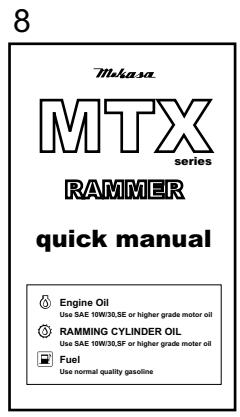
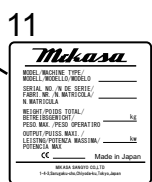
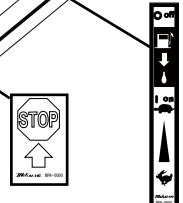
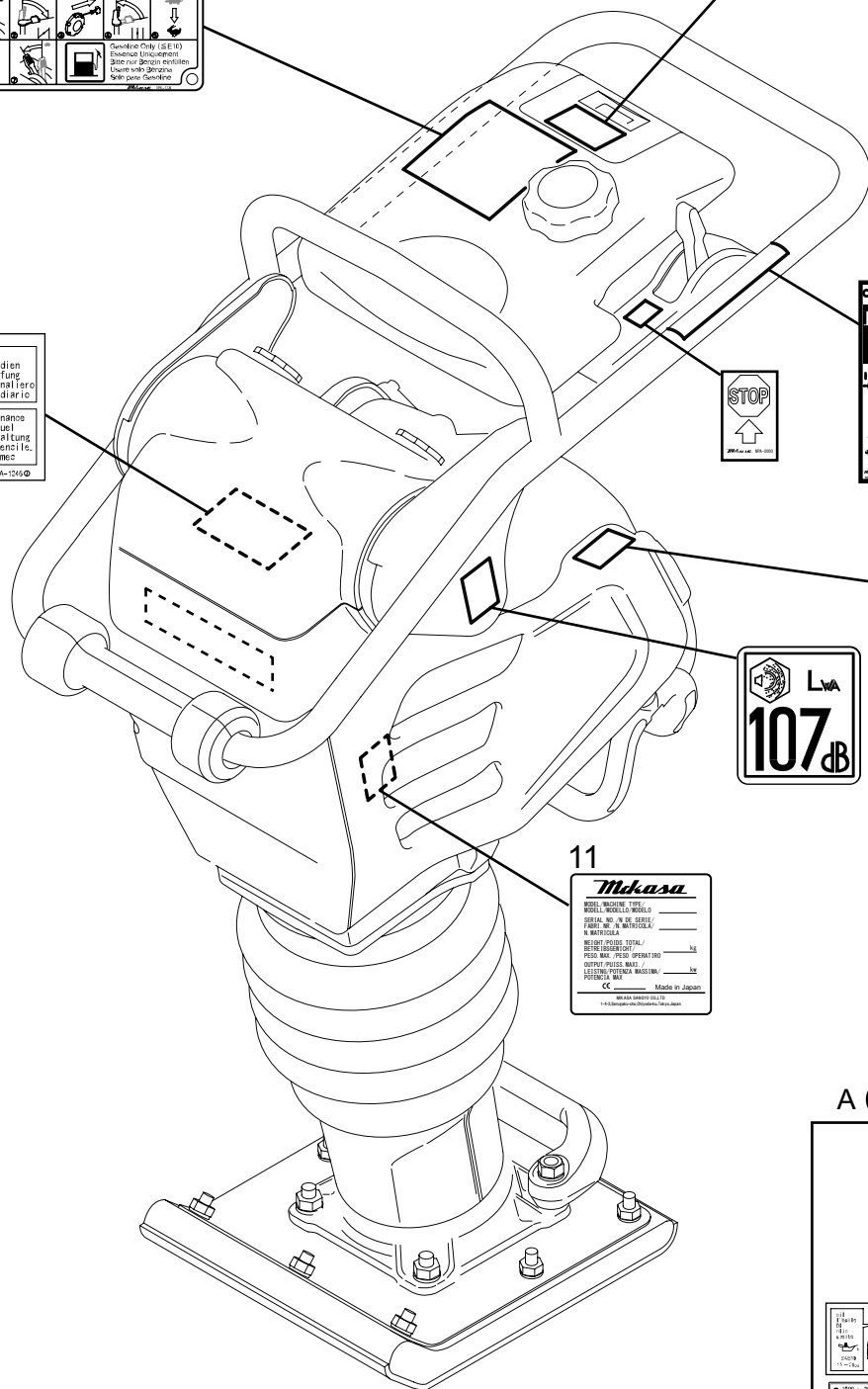
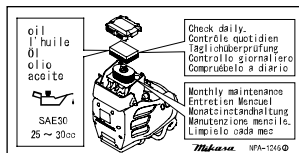
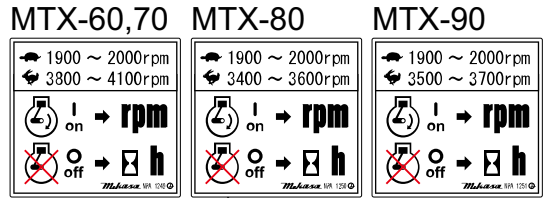
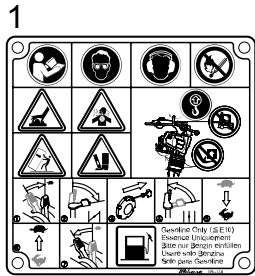
| OLD (旧型) | NEW (新型) |
|------------------|------------------|
| MTX-60 : ~ T2216 | MTX-60 : T2217 ~ |
| MTX-70 : ~ T3432 | MTX-70 : T3433 ~ |
| MTX-80 : ~ T1270 | MTX-80 : T1271 ~ |
| MTX-90 : ~ T1092 | MTX-90 : T1093 ~ |



MTX-60, 70, 80, 90 NAME PLATE,DECALS

3MMO

MTX-70: S2197 ~
MTX-80: S1139 ~
MTX-90: S1066 ~





MIKASA SANGYO CO.,LTD.

HEAD OFFICE
NO. 4-3. 1-CHOME, SARUGAKU-CHO, CHIYODA-KU
TOKYO, JAPAN