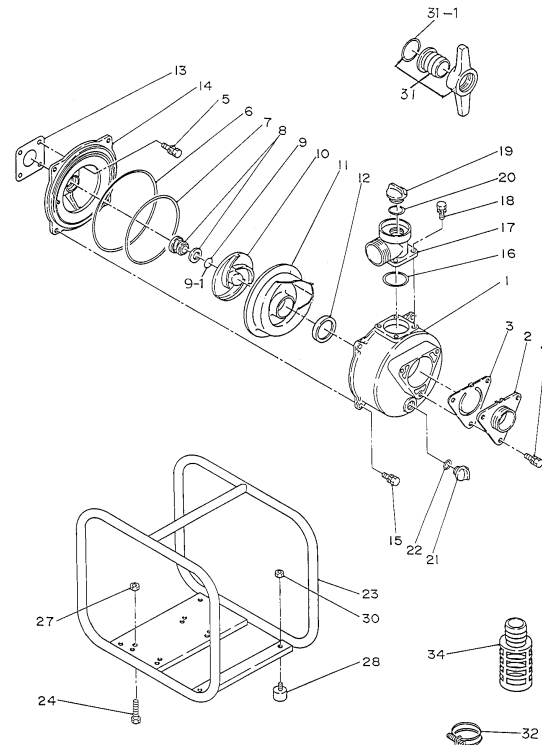


PARTS PRICE LIST : CP-205ST

MEC : 2014/11/13

No.	PARTS NO.	PARTS NAME	Q'TY	MATERIAL
	EX16	ENGINE		
1	1293-100010	CASING	1	ADC
2	1838-100160	SUCTION COVER	1	ADC
3	1293-350350	CHECK VALVE	1	NBR+ SS400
4	018105-0820	BOLT SET WITH SPRING WASHER	3	SS400
5	018105-0820	BOLT SET WITH SPRING WASHER	4	SS400
6	048924-2100	O-RING (CASING)	1	NBR
7	048924-1780	O-RING (VOLUTE CASING)	1	NBR
8	080344-2320	MECHANICAL SEAL	1	SICxSIC
9	085283-1713	ADJUST LINER	1	BSP
9-1	085285-1713	ADJUST LINER	1	BSP
10	1830-000030	IMPELLER	1	FC
11	1808-000130	VOLUTE CASING	1	FC
12	1293-330620	VOLUTE CASING PACKING	1	NBR
13	1211-390610	CASING COVER PACKING	1	OIL SHEET
14	9258-100020	CASING COVER	1	ADC
15	018105-0825	BOLT SET WITH SPRING WASHER	4	SS400
16	048131-0550	O-RING	1	NBR
17	1211-100090	DELIVERY ELBOW	1	ADC
18	018105-0820	BOLT SET WITH SPRING WASHER	4	SS400
19	063121-1100ASSY	FLOODING CAP WITH O-RING	1	ABS
20	048035-0300	O-RING (FLOODING CAP)	1	NBR
21	063121-1060ASSY	DRAIN CAP WITH O-RING	1	ABS
22	048131-0250	O-RING (DRAIN CAP)	1	NBR
23	7221-214010-0004	FRAME	1	SS400

No.	PARTS NO.	PARTS NAME	Q'TY	MATERIAL
24	010505-0840	BOLT (ENGINE)	4	SS400
27	020915-0080	FLANGE NUT	4	SS400
28	072332-2030R	CUSHION RUBBER	4	NBR+ SS400
30	020915-0060	FLANGE NUT	4	SS400
31	074119-4050	HOSE COUPLING SET	2	PE
31-1	074133-0501	HOSE COUPLING PACKING	2	NBR
32	093225-2000	WIRE HOSE BAND	3	SWRM
34	074221-1050	STRAINER	1	SS400



MATSUSAKA ENGINEERING CO., LTD.