



Illustrated Parts List

Model Series

13H300

TYPE NUMBERS
0036 through 5180.

TABLE OF CONTENTS

Air Cleaner	7
Alternator	10
Blower Housing	8
Camshaft	2
Carburetor	5
Controls	9
Crankcase Cover	3
Crankshaft	2
Cylinder	2
Cylinder Head	4
Electric Starter	10
Exhaust System	6
Flywheel	8
Fuel Supply	5
Gear Reduction	3
Governor Spring	9
Ignition	10
Kits/Gaskets - Carburetor	5
Kits/Gaskets - Engine	2
Kits/Gaskets - Valve	4
Lubrication	2
Piston Group	2
Rewind Starter	8

Not for reproduction



PRINTED IN U.S.A.

COPYRIGHT by BRIGGS & STRATTON CORPORATION
All rights reserved. No part of this material may be reproduced or transmitted, in any form or by any means, electronic or mechanical, including photocopying, recording or by any information storage and retrieval system, without permission in writing from Briggs & Stratton Corporation.

13H300

1319 WARNING LABEL

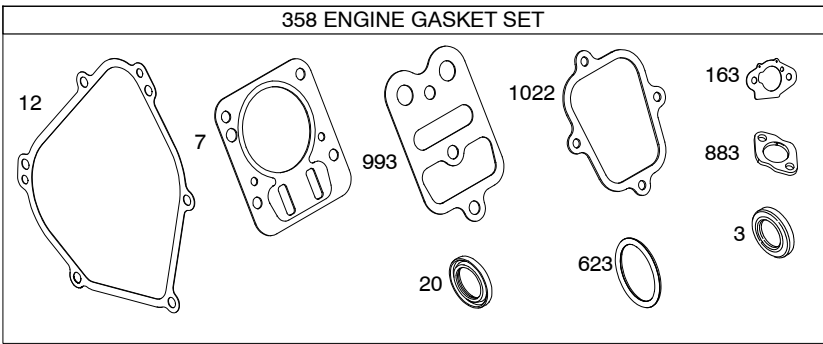
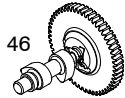
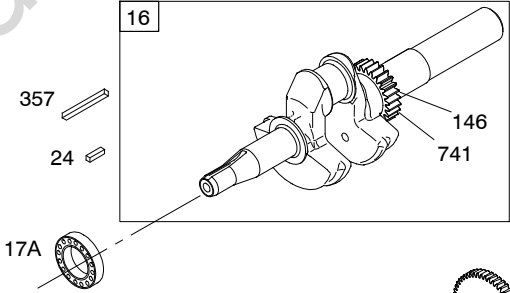
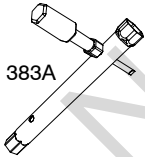
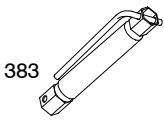
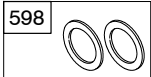
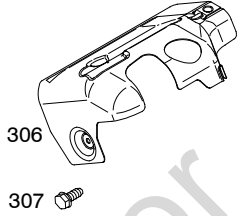
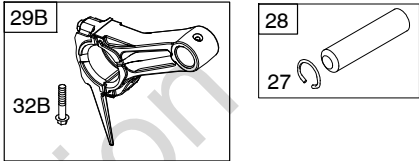
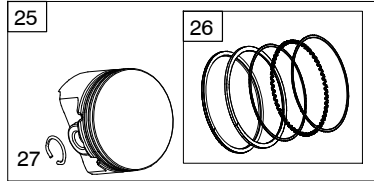
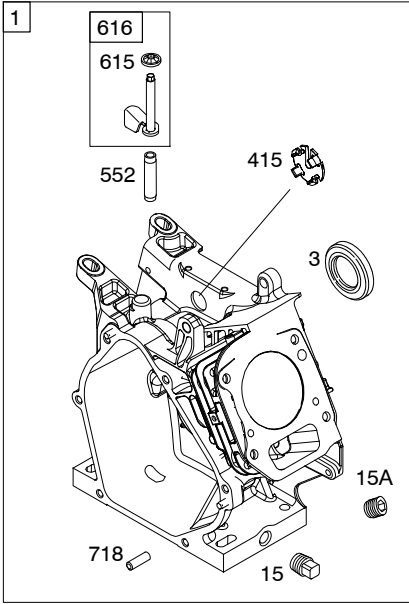
REQUIRED when replacing parts with warning labels affixed.

1319A WARNING LABEL

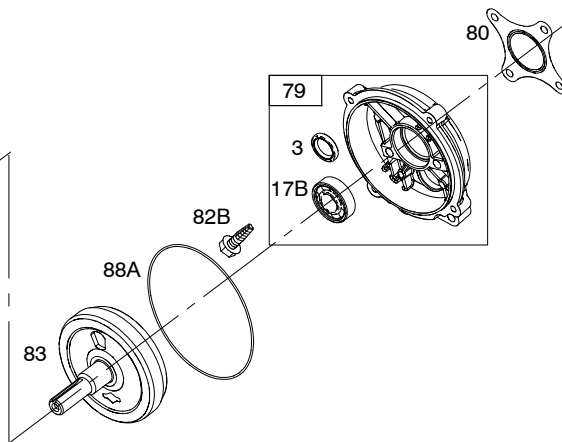
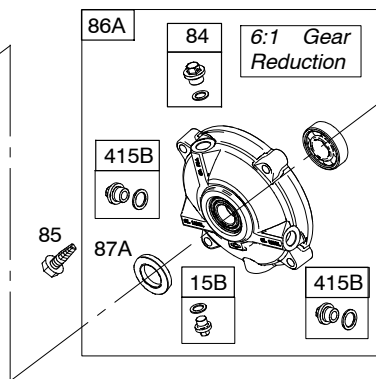
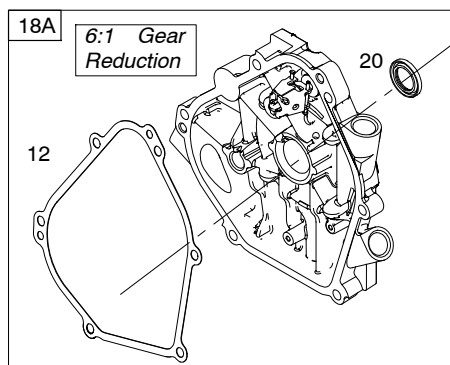
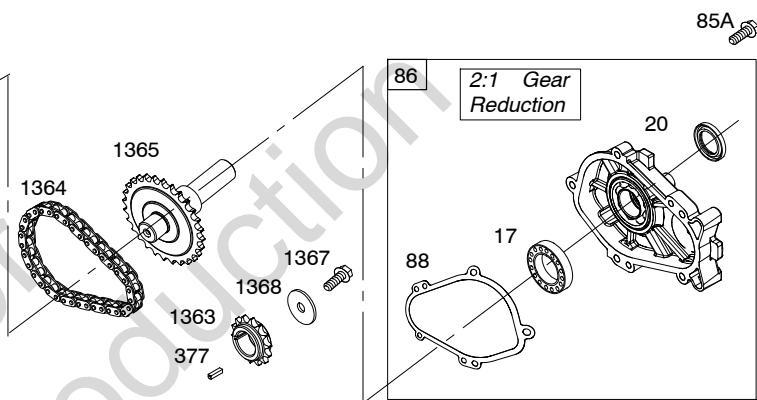
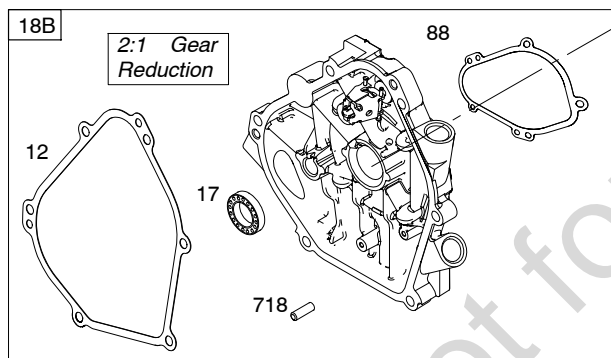
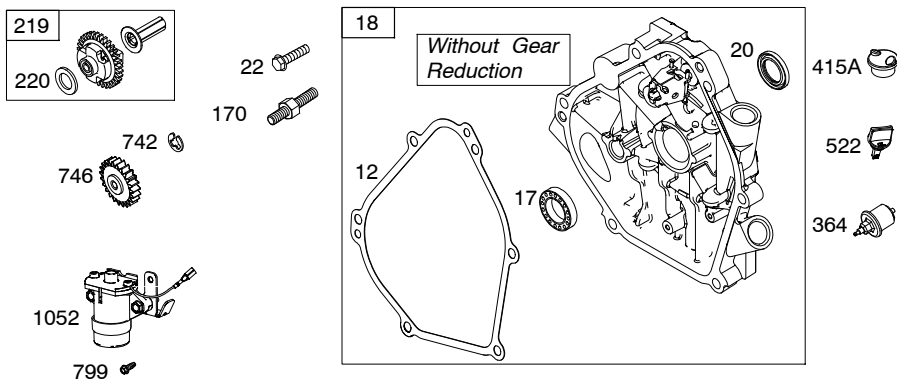
REQUIRED when replacing parts with warning labels affixed.

1058 OPERATOR'S MANUAL

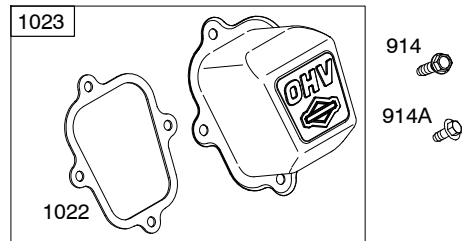
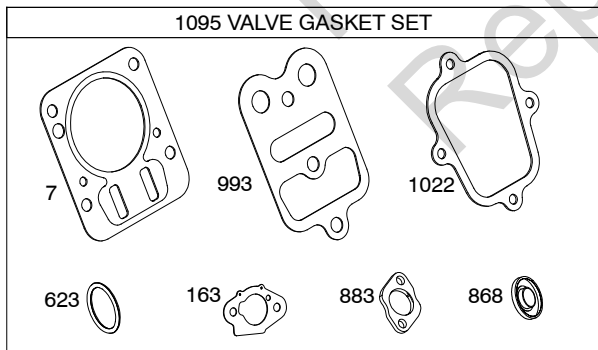
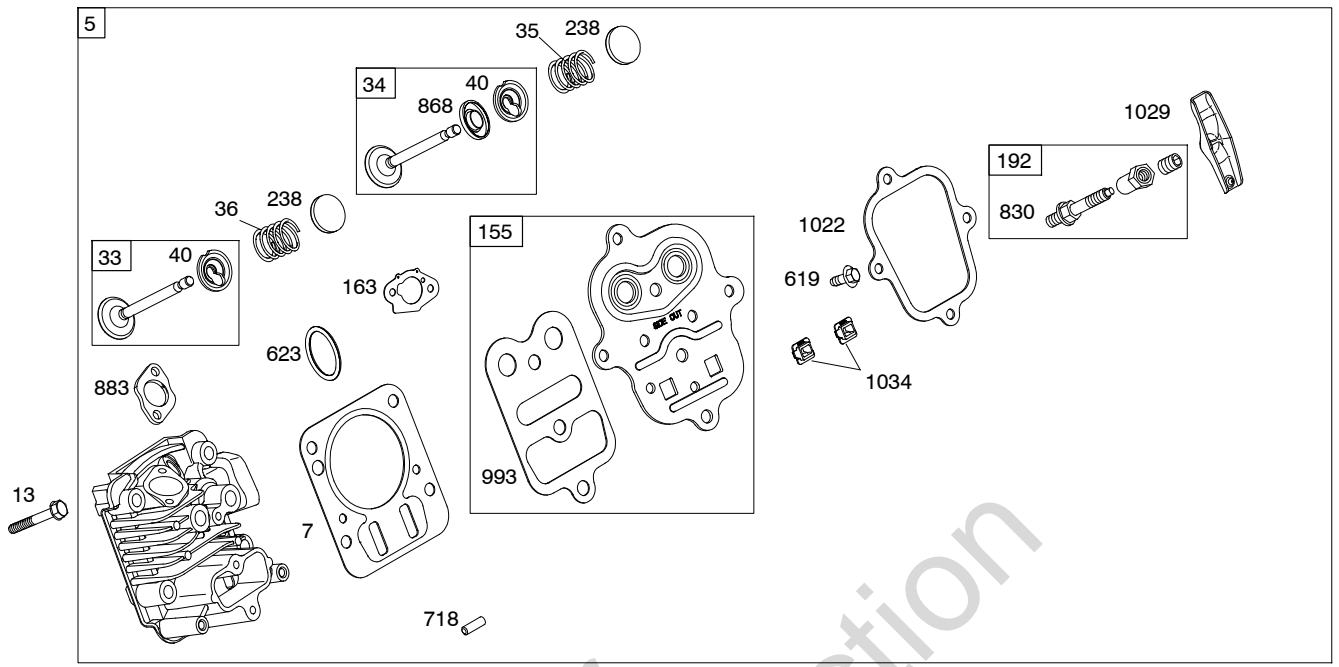
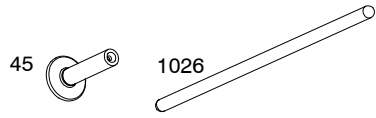
1036 EMISSIONS LABEL



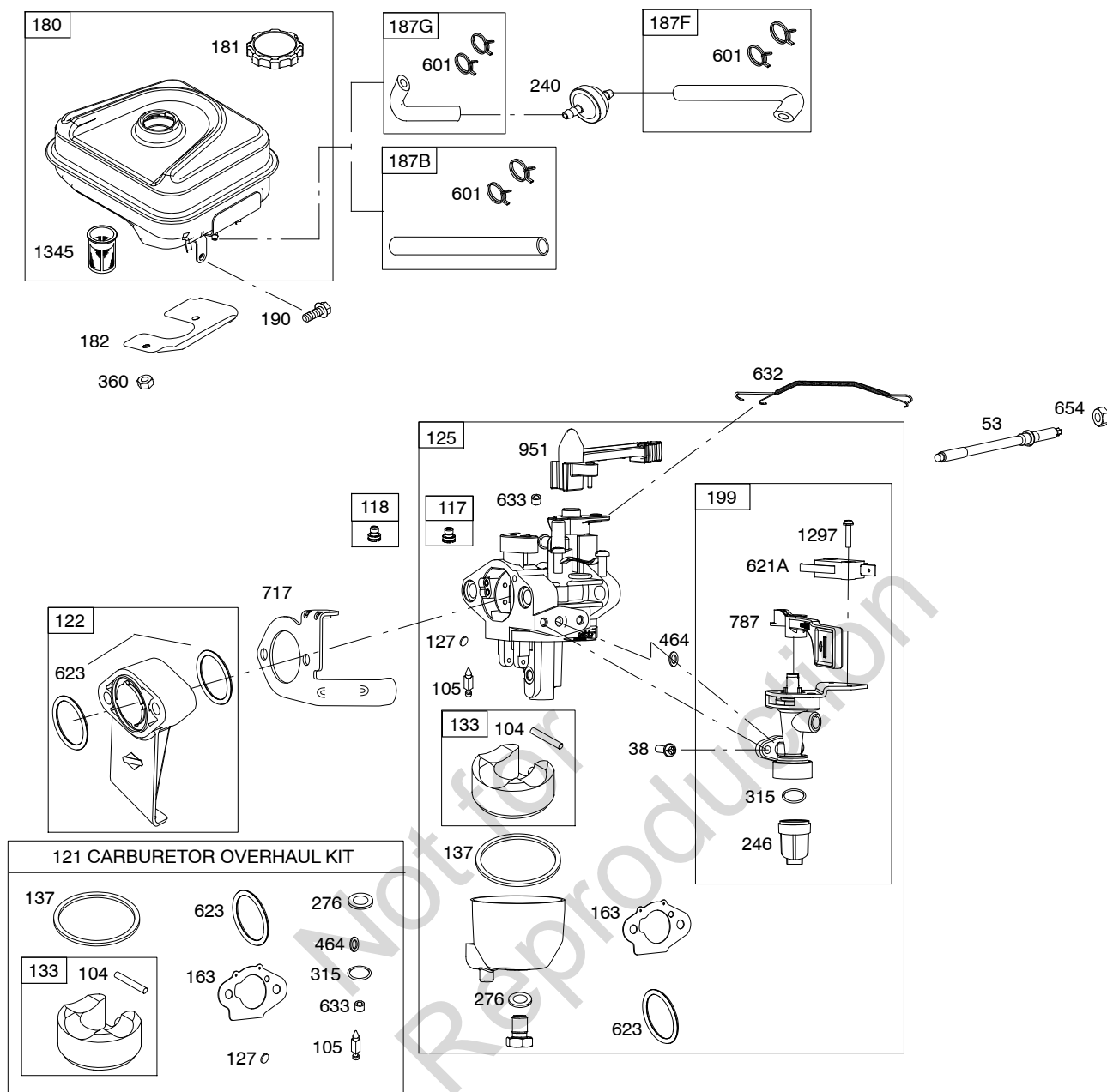
Illustrations cover a range of engines. Parts shown without corresponding text may not be used on your specific engine.
 10171-2 Assemblies include all parts shown in frames. 06/20/2013



Illustrations cover a range of engines. Parts shown without corresponding text may not be used on your specific engine.
10171-3 Assemblies include all parts shown in frames. **06/20/2013**

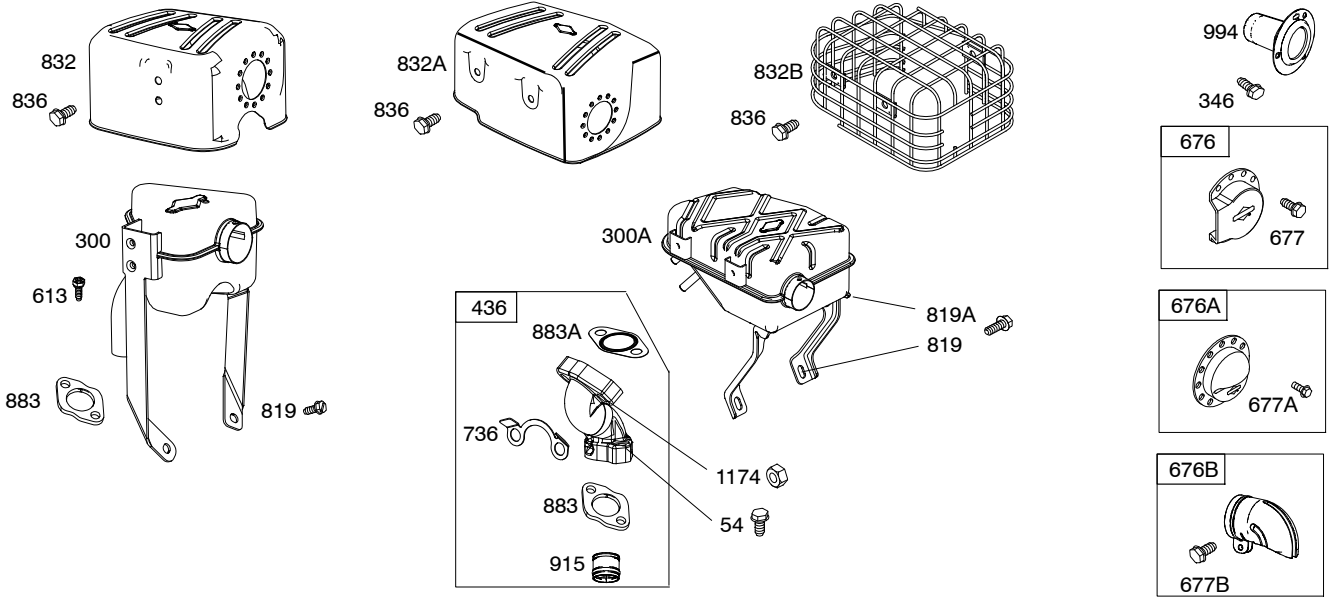


Illustrations cover a range of engines. Parts shown without corresponding text may not be used on your specific engine.
10171-4 Assemblies include all parts shown in frames. **06/20/2013**

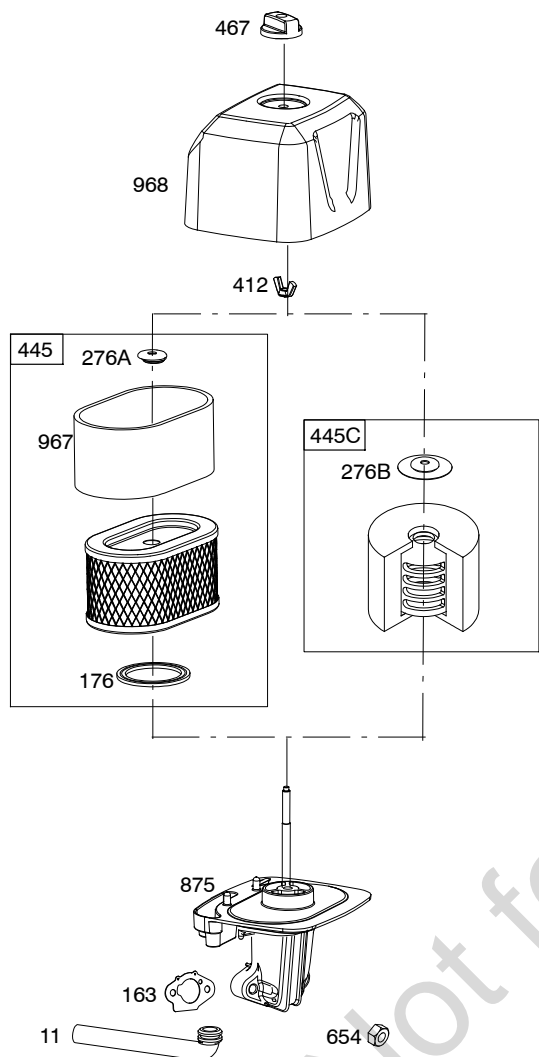


Illustrations cover a range of engines. Parts shown without corresponding text may not be used on your specific engine.
 10171-5 Assemblies include all parts shown in frames. 06/20/2013

13H300

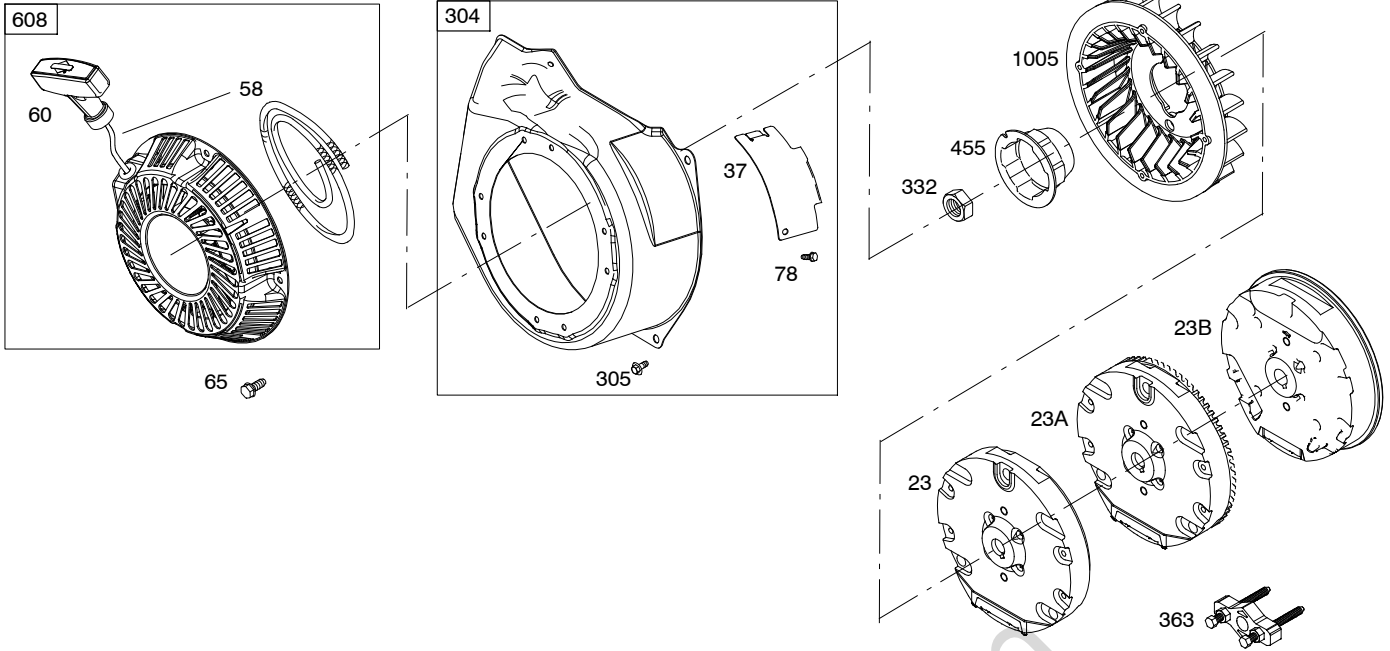


Not for
Reproduction

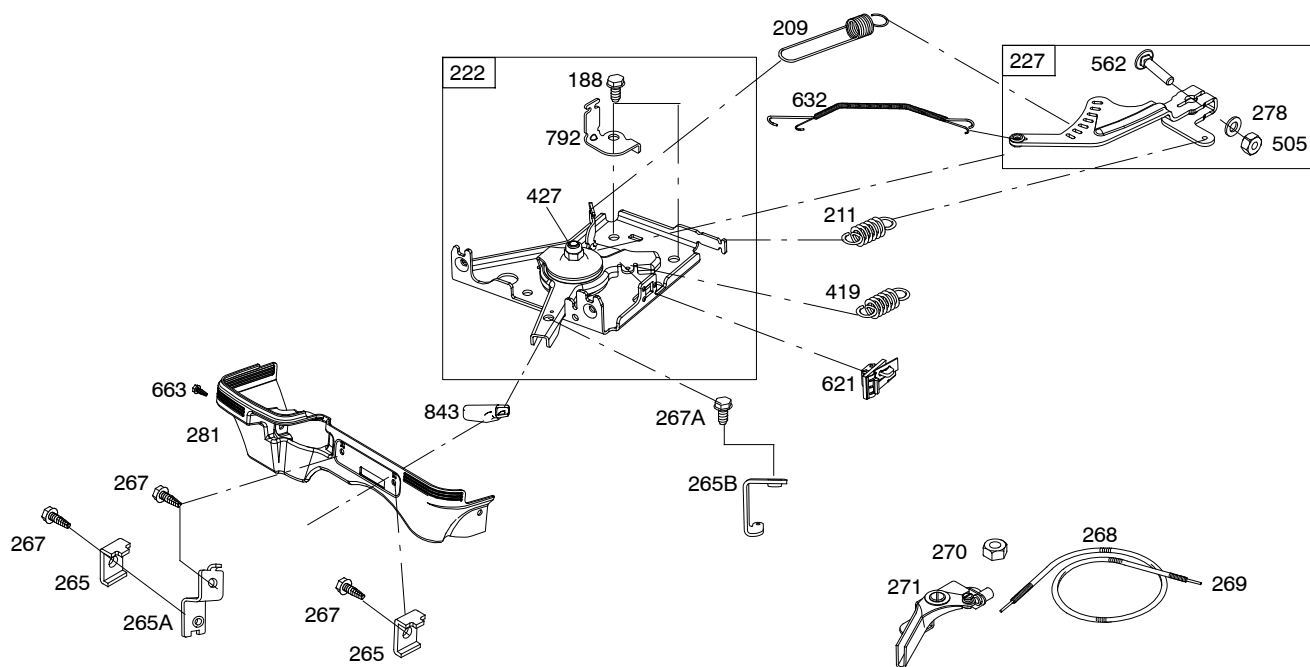


Not for
Reproduction

13H300

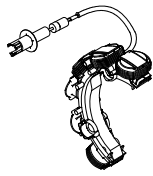


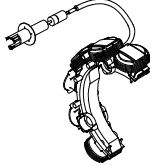



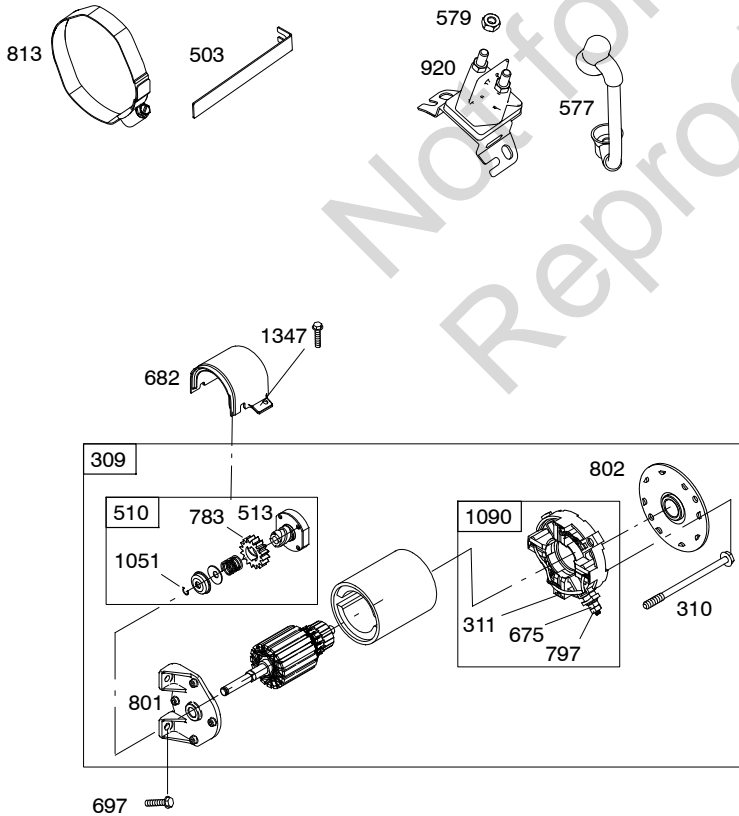
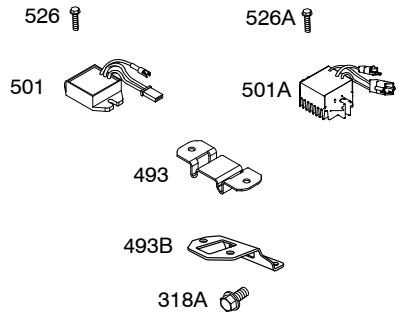
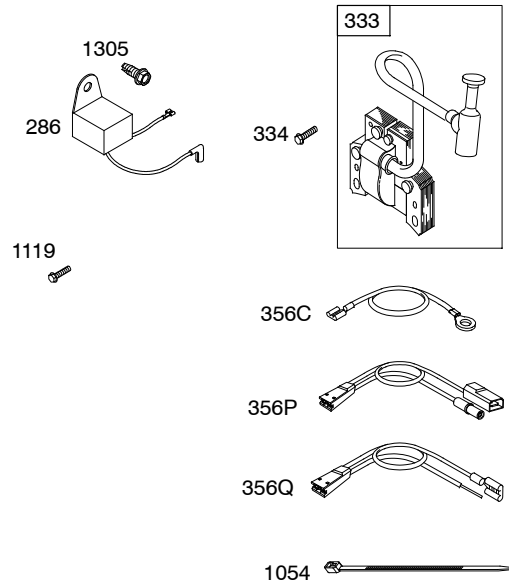
Illustrations cover a range of engines. Parts shown without corresponding text may not be used on your specific engine.
10171-8 Assemblies include all parts shown in frames. 06/20/2013



Not for Reproduction

13H300

3 AMP. DC	10-16 AMP.	20 AMP.	1.5 AMP. DC
474	474D	474E	474F
			
<p>NOTE: All stators use a No. 1119 mounting screw. </p> <p>NOTE: The proper flywheel part number and/or the alternator magnet size will determine the alternator type or output. See repair instruction manual for additional information.</p>			



Illustrations cover a range of engines. Parts shown without corresponding text may not be used on your specific engine.
 10171-10 Assemblies include all parts shown in frames. 06/20/2013

REF. NO.	PART NO.	DESCRIPTION	REF. NO.	PART NO.	DESCRIPTION	REF. NO.	PART NO.	DESCRIPTION	
1	798502	Cylinder Assembly ----- Note ----- 593004 Cylinder Assembly Used on Type No(s). 1185.		798566	Crankshaft Used on Type No(s). 0002, 0114, 0115, 0120, 0132, 0194, 1114, 1120, 2114. 798545 Crankshaft Used on Type No(s). 0112, 0126, 0127, 0134, 1112, 1134, 2112, 2120, 4120. 798547 Crankshaft Used on Type No(s). 0113, 0117, 0139, 0172, 0188, 1113, 1117, 2113, 2117, 4113, 4117. 798548 Crankshaft Used on Type No(s). 0121, 0143, 0145, 0152, 0161, 0176, 0177, 0180, 0197, 1121, 1143, 1145, 1152, 1161, 1176, 1177, 5180. 798549 Crankshaft Used on Type No(s). 0119, 0136, 1119, 1136, 2119. 799917 Crankshaft Used on Type No(s). 0001, 0174, 0200, 1174.	17	798538	Bearing-Ball	
						17A	798531	Bearing-Ball	
						17B	99158	Bearing-Ball	
						18	798533	Cover-Crankcase Used on Type No(s). 0001, 0002, 0036, 0111, 0112, 0113, 0115, 0117, 0120, 0124, 0125, 0126, 0127, 0128, 0130, 0132, 0133, 0134, 0137, 0138, 0139, 0140, 0141, 0142, 0144, 0149, 0154, 0157, 0158, 0159, 0165, 0172, 0174, 0178, 0179, 0181, 0185, 0191, 0194, 0200, 1111, 1112, 1113, 1117, 1120, 1124, 1133, 1134, 1141, 1142, 1144, 1149, 1154, 1157, 1158, 1165, 1174, 1178, 1179, 1185, 2111, 2112, 2113, 2117, 2120, 4111, 4113, 4117, 4120, 5137, 5138.	
3	299819S	Seal-Oil (Magneto Side)						----- Note ----- 798544 Cover-Crankcase Used on Type No(s). 0003, 0004, 0114, 0116, 0118, 0131, 0146, 0153, 0156, 0162, 0182, 0184, 0186, 0187, 0188, 0190, 0192, 1114, 1116, 1118, 1153, 1182, 1184, 2114, 2116, 2118, 5116, 5118, 5146, 5156, 5162.	
5	798460	Head-Cylinder				18A	798558	Cover-Crankshaft Used on Type No(s). 0119, 0136, 1119, 1136, 2119.	
7	798461	Gasket-Cylinder Head				18B	798567	Cover-Crankshaft Used on Type No(s). 0121, 0143, 0145, 0152, 0161, 0176, 0177, 0180, 0197, 1121, 1143, 1145, 1152, 1161, 1176, 1177, 5180.	
11	798507	Tube-Breather							
12	798462	Gasket-Crankcase							
13	699482	Screw (Cylinder Head)							
15	691686	Plug-Oil Drain (Square Head)							
15A	691682	Plug-Oil Drain (Flush Head)							
15B	792750	Plug-Oil Drain (Gear Cover)							
16	798532	Crankshaft Used on Type No(s). 0003, 0004, 0036, 0116, 0118, 0124, 0125, 0128, 0130, 0131, 0133, 0140, 0141, 0144, 0146, 0154, 0156, 0158, 0159, 0162, 0181, 0182, 0184, 0186, 0187, 0190, 0191, 0192, 1116, 1118, 1124, 1133, 1141, 1144, 1154, 1158, 1182, 1184, 1185, 2116, 2118, 5116, 5118, 5146, 5156, 5162. ----- Note ----- 798544 Crankshaft Used on Type No(s). 0111, 0137, 0138, 0142, 0149, 0153, 0157, 0165, 0178, 0179, 0185, 1110, 1111, 1142, 1149, 1153, 1157, 1165, 1178, 1179, 2111, 4111, 5137, 5138.							

Illustrations cover a range of engines. Parts shown without corresponding text may not be used on your specific engine.

13H300

REF. NO.	PART NO.	DESCRIPTION	REF. NO.	PART NO.	DESCRIPTION	REF. NO.	PART NO.	DESCRIPTION
20	692550	Seal-Oil (PTO Side)	37	699661	Guard-Flywheel	86	790332	Cover-Gear (2:1 Gear Reduction)
22	799318	Screw (Crankcase Cover)	38	698557	Screw (Fuel Shut Off Valve)	86A	792748	Cover-Gear (6:1 Gear Reduction)
23	798537	Flywheel	40	692194	Retainer-Valve	87A	792752	Seal-Gear Reduction
23A	798563	Flywheel Used on Type No(s). 0004, 0118, 0128, 0131, 0165, 0181, 0187, 0191, 1118, 1165, 2118, 5118.	45	690977	Tappet-Valve	88	790333	Gasket-Gear Reduction Cover
		----- Note ----- 798789 Flywheel Used on Type No(s). 0117, 0178, 0185, 1117, 1178, 1185, 2117, 4117.	46	696813	Camshaft ----- Note ----- 693404 Camshaft Used on Type No(s). 0114, 0115, 1114, 2114. 798812 Camshaft Used on Type No(s). 0144, 0152, 0157, 0176, 0179, 0180, 1144, 1152, 1157, 1176, 1179, 5180.	88A	792760	Gasket-Gear Reduction Cover
23B	798821	Flywheel Used on Type No(s). 0144, 0152, 0157, 0176, 0179, 0180, 1144, 1152, 1157, 1176, 1179, 5180.	53	798524	Stud (Carburetor)	104	698536	Pin-Float Hinge
24	796335	Key-Flywheel	54	799318	Screw (Intake Manifold)	105	698537	Valve-Float Needle
25	799063	Piston Assembly (Standard) ----- Note ----- 799064 Piston Assembly (.020" Oversize)	58	66574	Rope-Starter (Cut To Required Length)	117	690861	Jet-Main (Standard)
26	791969	Ring Set (Standard) ----- Note ----- 793001 Ring Set (.020" Oversize)	60	490652	Grip-Starter Rope	118	690741	Jet-Main (High Altitude)
27	691866	Lock-Piston Pin	65	699228	Screw (Rewind Starter) (Metric)	121	798521	Kit-Carburetor Overhaul
28	499423	Pin-Piston	78	699205	Screw (Flywheel Guard)	122	798510	Spacer-Carburetor
29B	798813	Rod-Connecting	79	792746	Case-Gear Reduction	125	798523	Carburetor
32B	797437	Screw (Connecting Rod)	80	792755	Gasket-Gear Case	127	844590	Plug-Welch
33	499642	Valve-Exhaust	82B	792573	Screw (Gear Reduction Case)	133	798529	Float-Carburetor
34	795443	Valve-Intake	83	792756	Shaft-Auxiliary Drive	137	798522	Gasket-Float Bowl
35	691304	Spring-Valve (Intake)	84	792759	Plug-Breather	146	690979	Key-Timing
36	691304	Spring-Valve (Exhaust)	85	690711	Screw (Gear Cover to Gear Reduction)	155	797422	Plate-Cylinder Head (Metric)
			85A	807421	Screw (Gear Cover to Gear Reduction)	163	798508	Gasket-Air Cleaner (Air Cleaner To Carburetor)
						170	699818	Stud (Crankcase Cover)
						176	798509	Seal-O-Ring
						180	798494	Tank-Fuel
						181	794641	Cap-Fuel Tank
						182	798495	Bracket-Fuel Tank
						187B	791766	Line-Fuel (15 Inches Long-Cut To Required Length)
						187F	798822	Line-Fuel
						187G	798823	Line-Fuel (Formed 2.5 Inches Long)
						188	699479	Screw (Control Bracket)
						190	798496	Screw (Fuel Tank)
						192	797440	Adjuster-Rocker Arm (Metric)
						199	798634	Valve-Fuel Shut Off (Metal)

Illustrations cover a range of engines. Parts shown without corresponding text may not be used on your specific engine.
10171-12 Assemblies include all parts shown in frames. 06/20/2013

REF. NO.	PART NO.	DESCRIPTION	REF. NO.	PART NO.	DESCRIPTION	REF. NO.	PART NO.	DESCRIPTION																																																																					
209	798472	Spring-Governor Used on Type No(s). 0002, 0003, 0036, 0111, 0112, 0113, 0114, 0115, 0116, 0117, 0118, 0119, 0121, 0124, 0125, 0130, 0131, 0132, 0133, 0136, 0139, 0140, 0145, 0146, 0153, 0156, 0159, 0161, 0162, 0181, 0182, 0184, 0185, 0186, 0187, 0188, 0190, 0192, 0194, 1111, 1112, 1113, 1114, 1116, 1117, 1118, 1119, 1121, 1124, 1133, 1136, 1145, 1153, 1161, 1182, 1184, 1185, 2111, 2112, 2113, 2114, 2116, 2117, 2118, 2119, 4111, 4113, 4117, 5116, 5118, 5146, 5156, 5162.	211	798471	Spring-Governed Idle Used on Type No(s). 0003, 0004, 0036, 0111, 0112, 0113, 0116, 0117, 0118, 0119, 0120, 0121, 0124, 0125, 0126, 0127, 0128, 0130, 0131, 0133, 0134, 0136, 0139, 0140, 0145, 0146, 0153, 0156, 0159, 0161, 0162, 0181, 0182, 0184, 0185, 0186, 0187, 0188, 0190, 0192, 1111, 1112, 1113, 1116, 1117, 1118, 1119, 1120, 1121, 1124, 1133, 1134, 1136, 1145, 1153, 1161, 1182, 1184, 1185, 2111, 2112, 2113, 2116, 2117, 2118, 2119, 4111, 4113, 4117, 5116, 5118, 5146, 5156, 5162.	219	693578	Gear-Governor	220	691724	Washer (Governor Gear)	222	798478	Bracket-Control	227	798465	Lever-Governor Control	238	691300	Valve-Cap	240	394358S	Filter-Fuel (White-75 Microns)	246	799008	Bowl-Fuel Filter	265	691024	Clamp-Casing	265A	798997	Clamp-Casing	265B	798998	Clamp-Casing	267	699492	Screw (Casing Clamp)	267A	699206	Screw (Casing Clamp)	268	691025	Casing-Control Wire (Cut To Required Length)	269	691026	Wire-Control (Cut To Required Length)	270	691027	Nut (Control Wire-Casing)	271	691028	Lever-Control	276	690997	Washer-Sealing	276A	798505	Washer-Sealing (Air Cleaner)	276B	798810	Washer-Sealing (Air Cleaner)	278	798196	Washer (Governor Control Lever)	281	798484	Panel-Control	286	798470	Module-Oil Sensor	300	798515	Muffler	300A	799542	Muffler Used on Type No(s). 0003, 0146, 0162, 0184, 0186, 0187, 0188, 0190, 0192, 1184, 2111, 2113, 2116, 2117, 2118, 2119, 2120, 4111, 4113, 4117, 4120, 5116, 5118, 5146, 5162.
<p>----- Note ----- 798555 Spring-Governor Used on Type No(s). 0001, 0004, 0120, 0126, 0127, 0128, 0134, 0137, 0138, 0141, 0142, 0143, 0144, 0149, 0152, 0154, 0157, 0158, 0165, 0172, 0174, 0176, 0177, 0178, 0179, 0180, 0191, 0197, 0200, 1110, 1120, 1134, 1141, 1142, 1143, 1144, 1149, 1152, 1154, 1157, 1158, 1165, 1174, 1176, 1177, 1178, 1179, 2120, 4120, 5137, 5138, 5180.</p> 798806 Spring-Governor Used on Type No(s). 0132.			<p>----- Note ----- 798556 Spring-Governed Idle Used on Type No(s). 0001, 0137, 0138, 0141, 0142, 0143, 0149, 0154, 0158, 0165, 0174, 0177, 0178, 0191, 0197, 0200, 1110, 1141, 1142, 1143, 1154, 1158, 1165, 1174, 1177, 1178, 2120, 4120, 5137, 5138.</p>																																																																										

Illustrations cover a range of engines. Parts shown without corresponding text may not be used on your specific engine.

13H300

REF. NO.	PART NO.	DESCRIPTION	REF. NO.	PART NO.	DESCRIPTION	REF. NO.	PART NO.	DESCRIPTION
304	798499	Housing-Blower	337	491055S	Plug-Spark	356C	695630	Wire-Stop
305	699481	Screw			(Resistor)	356P	798498	Wire-Stop
		(Blower Housing)			Used on Type No(s).	356Q	799336	Wire-Stop
306	798811	Shield-Cylinder			0001, 0002, 0036,	357	692191	Pulley-Key
307	699483	Screw			0124, 0126, 0127,			----- Note -----
		(Cylinder Shield)			0128, 0130, 0132,			798869 Pulley-Key
309	798790	Motor-Starter			0133, 0134, 0136,			Used on Type No(s).
310	690323	Screw			0137, 0138, 0139,			0142, 0143, 0149,
		(Starter Motor)			0140, 0141, 0142,			0176, 0177, 0179,
311	497608	Brush Set			0143, 0144, 0149,			0180, 1143, 1149,
315	799035	Seal-O-Ring			0152, 0154, 0157,			1176, 1177, 1179.
318	691693	Screw			0158, 0161, 0165,	358	798540	Gasket Set-Engine
		(Mounting Bracket)			0174, 0176, 0177,	360	690941	Nut-Fuel Tank
318A	795026	Screw			0178, 0179, 0180,	363	19203	Puller-Flywheel
		(Mounting Bracket)			0185, 0191, 0194,	364	695693	Terminal-Oil Plug
332	792723	Nut			0197, 0200, 1110,	377	790943	Key-Woodruff
		(Flywheel)			1124, 1133, 1134,			(Gear Reduction
333	590818	Armature-Magneto			1136, 1141, 1142,			Sprocket)
334	699477	Screw			1143, 1144, 1149,	383	19576S	Wrench-Spark Plug
		(Magneto Armature)			1152, 1154, 1157,	383A	590721	Wrench-Spark Plug
					1158, 1161, 1165,	412	793443	Wing Nut
					1174, 1176, 1177,			(Air Cleaner)
					1178, 1179, 1185,	415	798466	Plug
					5137, 5138, 5180.			(Wire Retainer)
					----- Note -----	415A	693463	Plug
					691043 Plug-Spark			(Crankcase Cover)
					(EMS)	415B	792749	Plug
					Used on Type No(s).			(Gear Reduction)
					0003, 0004, 0111,	419	798851	Spring-Return
					0112, 0113, 0114,	427	798458	Nut
					0115, 0116, 0117,			(Control Bracket)
					0118, 0119, 0120,	436	799543	Manifold
					0121, 0125, 0131,	445	797033	Filter-Air Cleaner
					0145, 0146, 0153,			Cartridge
					0156, 0159, 0162,	445C	797378	Filter-Air Cleaner
					0172, 0181, 0182,			Cartridge
					0184, 0186, 0187,			Used on Type No(s).
					0188, 0190, 0192,			0144, 0152, 0157,
					1111, 1112, 1113,			0174, 0176, 0177,
					1114, 1116, 1117, 1118,			0179, 0180, 0200,
					1119, 1120, 1121,			1144, 1152, 1157,
					1145, 1153, 1182,			1174, 1176, 1177,
					1184, 2111, 2112,			1179, 5180.
					2113, 2114, 2116,	455	591302	Cup-Flywheel
					2117, 2118, 2119,	464	698550	Seal-O Ring
					2120, 4111, 4113,	467	691985	Knob-Air Cleaner
					4117, 4120, 5116,			Cover
					5118, 5146, 5156,	474	695730	Alternator
					5162.			(3 Amp. DC)
			346	699203	Screw			
					(Spark Arrestor)			

Illustrations cover a range of engines. Parts shown without corresponding text may not be used on your specific engine.

REF. NO.	PART NO.	DESCRIPTION	REF. NO.	PART NO.	DESCRIPTION	REF. NO.	PART NO.	DESCRIPTION
474D	695466	Alternator (10-16 Amp. Regulated)	621	692310	Switch-Stop	799	699202	Screw (Oil Sensor)
474E	790320	Alternator (20 Amp. DC Regulated)	621A	798636	Switch-Stop (Fuel Shut Off Valve)	801	694482	Cap-Drive
474F	793640	Alternator (DC Only)	623	798511	Seal-O Ring (Air Cleaner To Carburetor Elbow)	802	691286	Cap-End
493	691177	Bracket-Regulator (Electric Starter)	632	798464	Spring/Link- Mechanical Governor	813	690635	Clamp-Regulator
493A	798803	Bracket-Key Switch	633	690722	Seal-Throttle Shaft	819	699233	Screw (Muffler Bracket)
493B	699048	Bracket-Regulator (No Electric Starter)	635	798619	Boot-Spark Plug	819A	699481	Screw (Muffler Bracket)
500	691086	Washer (Key Switch)	654	794838	Nut (Carburetor Stud)	830	797441	Stud-Rocker Arm (Metric)
501	797375	Regulator (16 Amp.)	663	699206	Screw (Control Panel)	832	798525	Guard-Muffler
501A	790325	Regulator (20 Amp.)	664	691087	Nut (Key Switch)	832A	799574	Guard-Muffler Used on Type No(s). 2111, 2113, 2116, 2117, 2118, 2119, 2120, 4113, 4117, 4120, 5116, 5118.
503	691532	Strap-Starter	675	691261	Washer (Brush Retainer)	832B	799578	Guard-Muffler Used on Type No(s). 0146, 0162, 0184, 0186, 0187, 0188, 0190, 1184, 5146, 5162.
505	793515	Nut (Governor Control Lever)	676	798467	Deflector-Muffler	836	699755	Screw (Muffler Guard)
510	499308	Drive-Starter	676A	396548	Deflector-Muffler Used on Type No(s). 0139, 0140.	843	695588	Sleeve-Lever
513	692024	Drive-Clutch	676B	697816	Deflector-Muffler Used on Type No(s). 0146, 0162, 0184, 0186, 0187, 0188, 0190, 1184, 5146, 5162.	868	795440	Seal-Valve
522	798503	Plug-Dipstick/Fill	677	699203	Screw (Muffler Deflector)	875	798514	Base-Air Cleaner
526	690297	Screw (16 Amp. Regulator)	677A	690661	Screw (Muffler Deflector)	883	798516	Gasket-Exhaust
526A	690326	Screw (20 Amp. Regulator)	677B	699776	Screw (Muffler Deflector)	883A	799545	Gasket-Exhaust
552	798500	Bushing-Governor Crank	682	798792	Cover-Starter Drive	892	690646	Switch, Ignition, Key
562	798197	Bolt (Governor Control Lever)	697	795026	Screw (Starter Motor)	914	699481	Screw (Rocker Cover) (Bottom)
577	690795	Cable-Starter	717	798527	Bracket-Air Cleaner	914A	797444	Screw (Rocker Cover) (Top And Center)
578	798802	Wires-Key Switch	718	690959	Pin-Locating	915	691493	Liner-Port
579	691029	Nut (Starter Cable)	736	799544	Nut-Clip	920	557067	Solenoid-Starter
598	799331	Shim-End Play	741	695087	Gear-Timing	951	798528	Lever-Choke
601	791850	Clamp-Hose (Green)	742	692564	Retainer-E Ring	967	798513	Filter-Pre Cleaner
608	798825	Starter-Rewind	746	790278	Gear-Idler	968	798506	Cover-Air Cleaner
613	798517	Screw (Muffler)	783	692353	Gear-Pinion	990	691959	Key Set
615	692576	Retainer-Governor Shaft	787	798635	Lever-Arm (Fuel Shut Off Valve)	993	694088	Gasket-Cylinder Head Plate
616	798501	Crank-Governor	792	798550	Bracket-Fixed Control	994	793985	Arrestor-Spark
619	699230	Screw (Cylinder Head Plate)	797	691029	Nut (Brush Retainer)	1005	794273	Fan-Flywheel
						1022	691890	Gasket-Rocker Cover

Illustrations cover a range of engines. Parts shown without corresponding text may not be used on your specific engine.

13H300

REF. NO.	PART NO.	DESCRIPTION	REF. NO.	PART NO.	DESCRIPTION	REF. NO.	PART NO.	DESCRIPTION
1023	791585	Cover-Rocker	1174	794843	Nut (Intake Manifold)	1363	790334	Sprocket-Gear Reduction
1026	790287	Rod-Push	1297	798637	Screw (Fuel Shut Off Valve)	1364	790335	Chain-Gear Reduction
1029	797443	Arm-Rocker (Metric)	1305	699691	Screw (Oil Sensor Module)	1365	790336	Shaft-Output Gear Reduction
1034	691343	Guide-Push Rod	1319	794467	Label-Warning	1367	690936	Screw (Gear Reduction Sprocket)
1036		Label-Emissions (Available from a Briggs and Stratton Authorized Dealer)	1319A	797669	Label-Warning	1368	690301	Washer (Gear Reduction Sprocket)
1051	691265	Ring-Retaining	1345	792917	Filter-Filler Neck			
1052	790141	Sensor-Oil	1347	699200	Screw (Starter Drive Cover)			
1054	280275	Tie-Cable						
1058	279770	Operator's Manual						
1090	691293	Retainer-Brush						
1095	798539	Gasket Set-Valve						
1119	699772	Screw (Alternator)						

Not for
Reproduction

Not for
Reproduction

Not for
Reproduction

Not for
Reproduction

Not for
Reproduction

