

PARTS LIST

WX21

CONTENTS

1. PARTS KIT	1
2. MAIN BODY	3
3. GEARCASE	5
4. ENGINE	7
5. CARBURETOR, FUEL TANK	11
6. ACCESSORIES	13

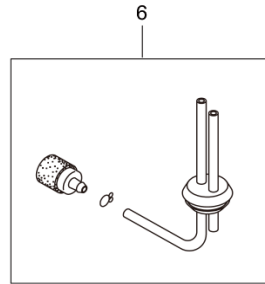
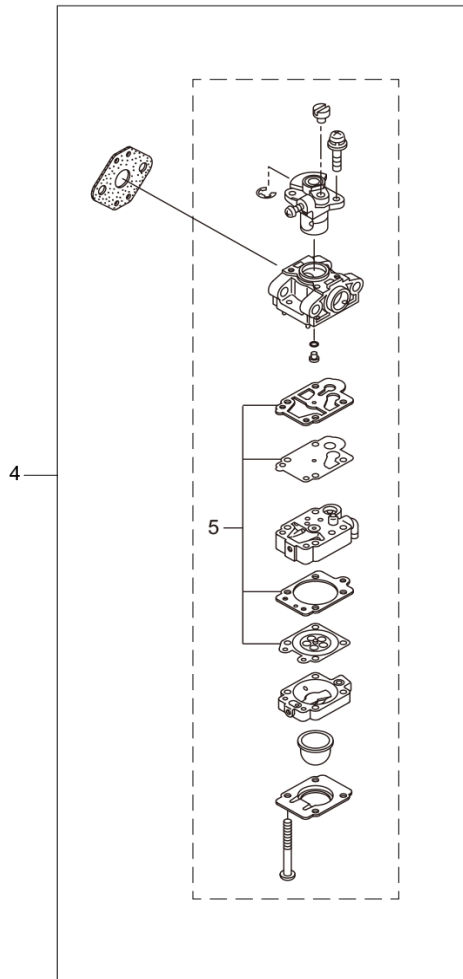
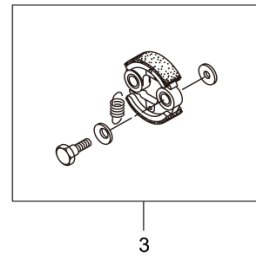
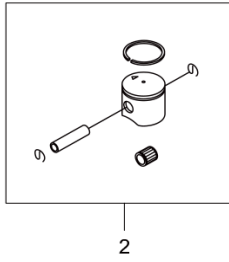
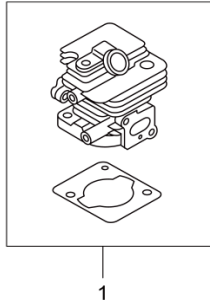
2020. 12.



MARUYAMA

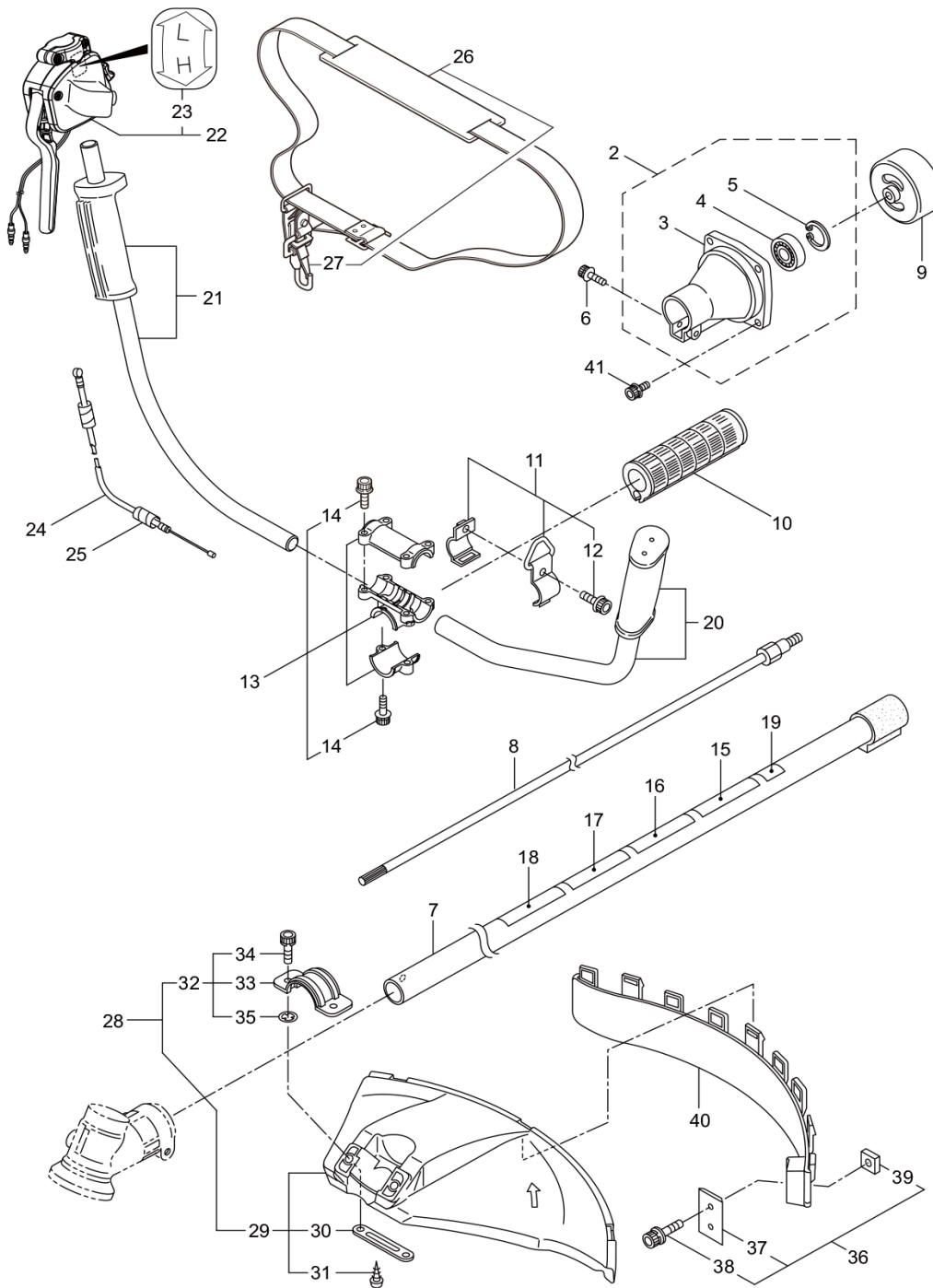
P/N 524581

WX21
1. PARTS KIT



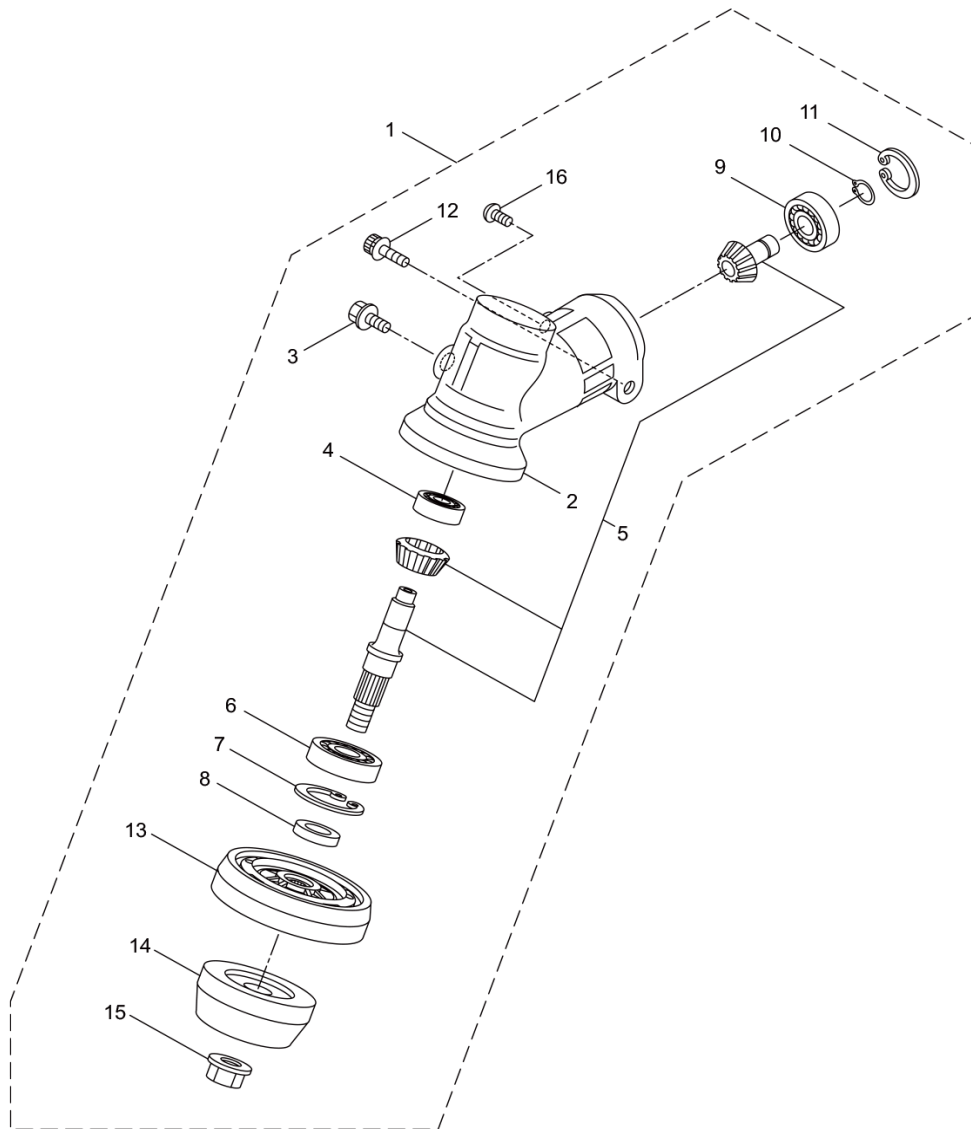
Status	Position	Parts Number	Parts Name	Unit Quantity	Set Unit Quantity	Remarks	Maker code
	1	247680	CYLINDER KIT	1	5		
	2	247681	PISTON KIT	1	5		
	3	246924	CLUTCH KIT	1	5		
	4	247868	CARBURETOR KIT	1	5	Incl.5	
	5	247867	CARBURETOR PARTS KIT	1	5		
	6	247864	FUEL HOSE/FILTER KIT	1	5		

WX21
2. MAIN BODY



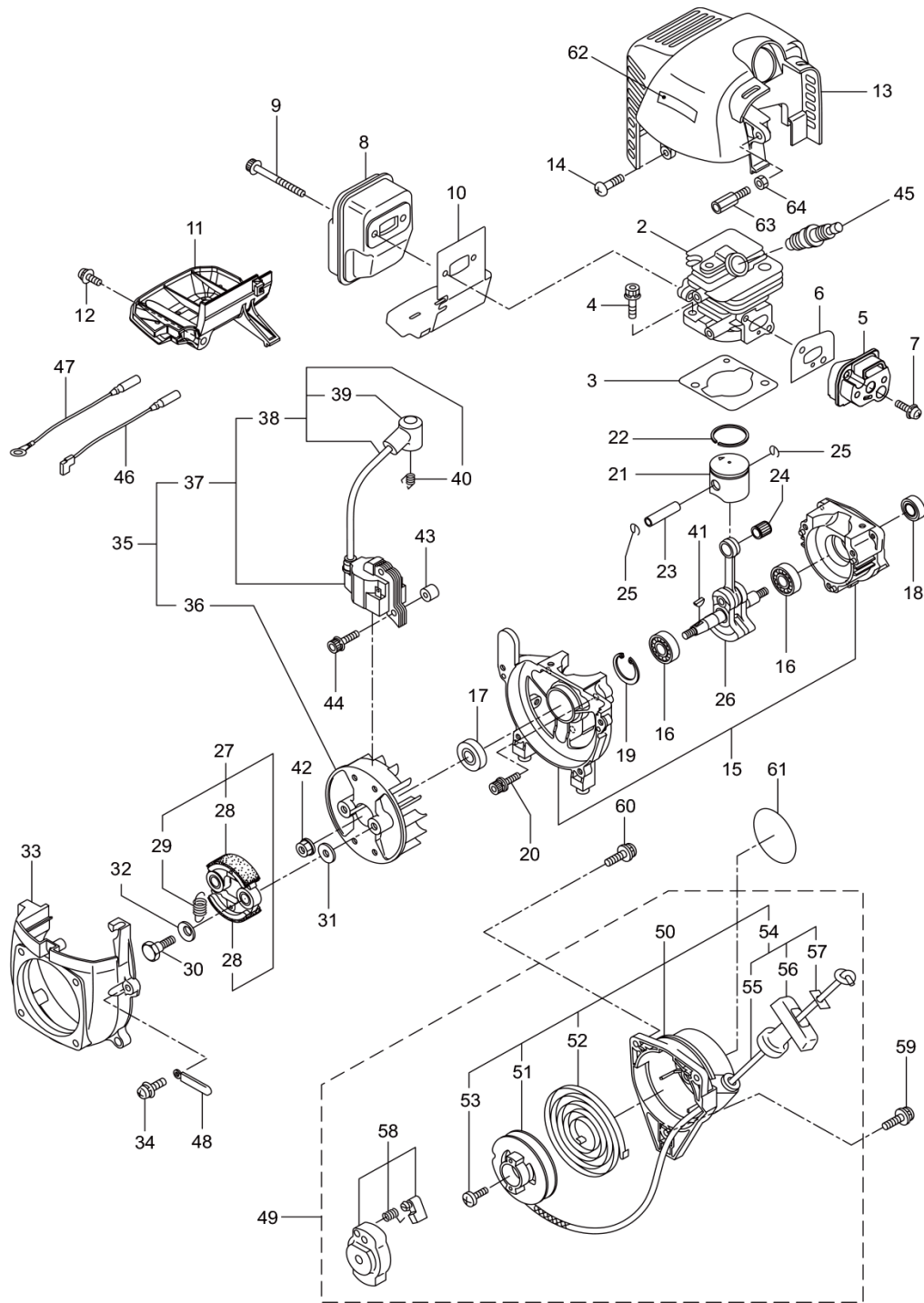
Status	Position	Parts Number	Parts Name	Unit Quantity	Set Unit Quantity	Remarks	Maker code
	1	364743	WX21(CAIMAN)	1			
	2	221473	CLUTCH HOUSING ASSY	1		Incl.3-5	
	3	221474	CLUTCH HOUSING	1			
	4	016405	BEARING #6200ZZ	1		#6200ZZ	
	5	013825	SNAP RING	1		#30	
	6	261612	CAP SCREW	1		M5x30	
	7	223252	DRIVESHAFT TUBE	1			
	8	226399	DRIVESHAFT ASSY	1			
	9	229091	CLUTCH DRUM ASSY	1			
	10	215532	GRIP	1			
	11	215533	HANGING BRACKET ASSY	1		Incl.12	
	12	261762	SCREW	1		M5x14	
	13	231879	BRACKET ASSY	1		Incl.14	
	14	261246	CAP SCREW	6	5	M5x25	
	15	238751	LABEL	1		MADE IN JAPAN	
	16	238693	CAUTION MARK	1		WARNING	
	17	238720		1		CAIMAN	
	18	241321	LABEL	1		WX21	
	19	228043	LABEL	1			
	20	237718	HANDLE A	1			
	21	236358	HANDLE B ASSY	1			
	22	560624		1		Incl.23	
	23	560200	LABEL	1			
	24	235748	THROTTLE WIRE	1			
	25	234549	TUBE	1		660L	
	26	220533	SHOULDER STRAP ASSY	1		Incl.27	
	27	231657	HOOK	1			
	28	235690	COVER ASSY	1		Incl.29-35	
	29	235691	COVER ASSY	1		Incl.30,31	
	30	227819	THREADED BRACKET	1			
	31	221580	SCREW	1	10	4x8	
	32	232076	RETAINER	1		Incl.33-35	
	33	227820	BRACKET	1			
	34	220632	CAP SCREW	2		M6x30	
	35	231704	WASHER	2		6x13xt1.0	
	36	231882	CUTTER ASSY	1		Incl.37-39	
	37	230747	CORD CUTTER	1			
	38	261250	CAP SCREW	1	5	M5x20	
	39	228325	SQUARE NUT	1			
	40	231033	COVER EXTENTION	1			
	41	261250	CAP SCREW	4	5	M5x20	

WX21
3. GEARCASE



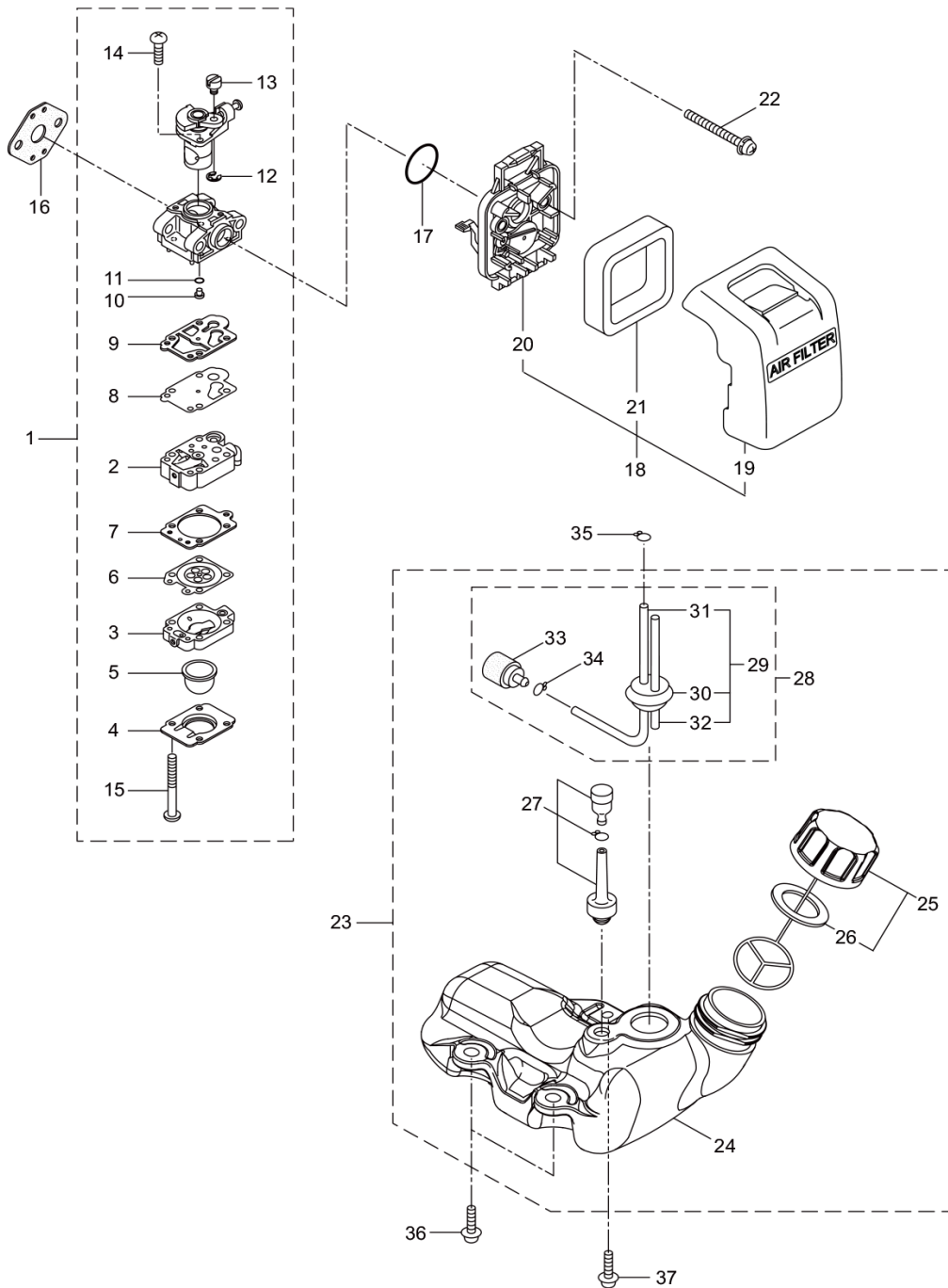
Status	Position	Parts Number	Parts Name	Unit Quantity	Set Unit Quantity	Remarks	Maker code
	1	232070	GEAR CASE ASSY	1		Incl.2-16	
	2	226284	GEAR HOUSING	1			
	3	225897	BOLT	1	5	M6x8	
	4	226285	BEARING #626	1		#626	
	5	227108	GEAR SET	1			
	6	112184	BEARING 6000DDU	1		#6000DDU	
	7	054676	RING SNAP	1	5	#26	
	8	225898	WASHER	1		10x16xt2.6	
	9	226286	BEARING	1		#609ZZ	
	10	228477	C-SHAPED RING	1		#9	
	11	140270	C-SHAPED SNAP RING	1		#24	
	12	261246	CAP SCREW	1	5	M5x25	
	13	225891	BOSS ADAPTER	1			
	14	225892	BOSS B	1			
	15	225893	NUT	1	5	M8	
	16	219087	CAP SCREW	1	5	M5x10	

WX21
4. ENGINE



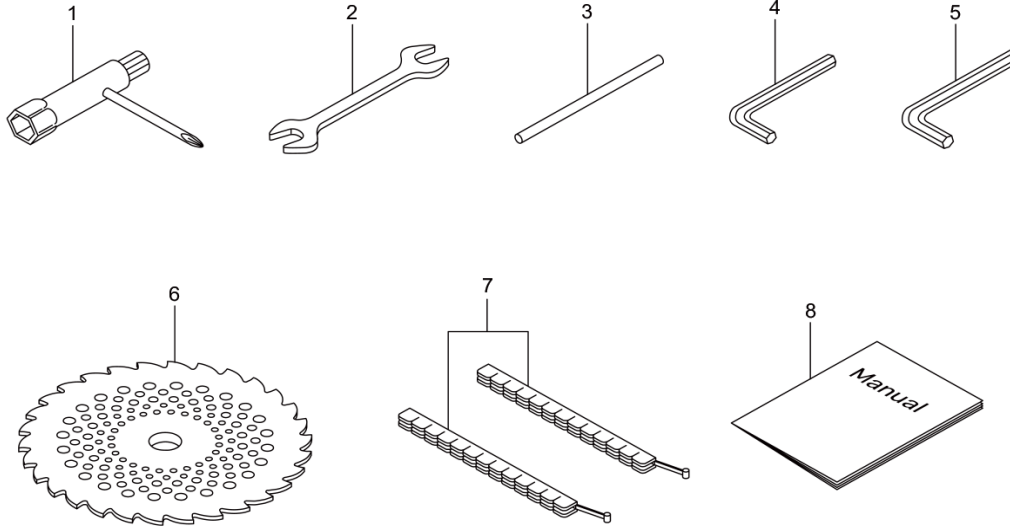
Status	Position	Parts Number	Parts Name	Unit Quantity	Set Unit Quantity	Remarks	Maker code
	1	875198		1		EE203/05	
	2	289667	CYLINDER	1		New gasket required	
	3	289643	GASKET	1			
	4	267290	CAP SCREW	2	5	M5x20	
	5	272744	INSULATOR	1		New gasket required	
	6	267049	GASKET	1	5		
	7	269826	SCREW	2	5	M5x25	
	8	275634	MUFFLER	1			
	9	266402	CAP SCREW	2	5	M5x55	
	10	273262	GASKET	1			
	11	273519	COVER	1			
	12	269827	SCREW	1	5	M5x16	
	13	273042	TOP COVER	1			
	14	280144	TAPPING SCREW	1	5		
	15	273674	CRANKCASE	1			
	16	280488	BEARING 6001C3	2		PPL 6001	
	17	261492	OIL SEAL	1		ISCD12287	
	18	261386	OIL SEAL	1		ISCD12227	
	19	055185	SNAP RING #28	1	5	H28	
	20	261612	CAP SCREW	3		M5x30	
	21	289671	PISTON	1			
	22	261158	PISTON RING	1			
	23	261036	PISTON PIN	1			
	24	288520	NEEDLE BEARING	1			
	25	261576	CLIP PISTON	2			
	26	274146	CRANK SHAFT	1			
	27	269168	CLUTCH ASSY	1		Incl.28,29	
	28	269169	CLUTCH SHOE	2		(2)required	
	29	269173	SPRING	1			
	30	269647	CLUTCH BOLT	2			
	31	269175	WASHER	2	5	6.1x15x1.6	
	32	261777	WAVE WASHER	2	5		
	33	283386	FAN COVER	1			
	34	269831	SCREW	4	5	M5x20	
×	35	272066	ROTOR ASSY	1		Incl.36-40	
	36	261356	ROTOR	1			
	37	272067	IGNITION COIL ASSY	1		Incl.38-40	
	38	272068	CORD ASSY	1		Incl.39,40	
	39	261074	PLUG BOOT	1			
	40	261075	CONNECTOR	1			
	41	261076	WOODRUFF KEY 3X10	1	5	3x10	
	42	261417	NUT ROTOR M8	1	5	M8	
	43	280381	SPACER	2	5		
	44	261256	BOLT	2	5	M4x25	
	45	288264	SPARK PLUG	1		BPMR8Y	
	46	267492	LEAD	1		130L	
	47	282880	WIRE LEAD	1			
	48	264588	CLAMP	1	5		
	49	288684	RECOIL STARTER ASSY	1		Incl.50-58	
	50	288685	STARTER ASSY	1		Incl.51-57	
	51	288967	REEL	1			
	52	288968	SPIRAL SPRING	1			
	53	262922	SCREW	1			
	54	288969	ROPE ASSY	1		Incl.55-57	
	55	288970	STARTER ROPE	1			
	56	261725	STARTER GRIP	1			
	57	283511	ROPE STOPPER	1			
	58	288971	STARTER PULLEY ASSY	1			
	59	269833	SCREW	1	5	M4x16	
	60	280489	SCREW	2	5	M4x20	
	61	279325	LABEL	1		WX21	
	62	284587	LABEL	1			
	63	563151	SCREW	1		M6x15	
	64	261878	NUT	1	5	M6	

WX21
5. CARBURETOR, FUEL TANK



Status	Position	Parts Number	Parts Name	Unit Quantity	Set Unit Quantity	Remarks	Maker code
	1	276662	CARBURETOR ASSY	1		Incl.2-15 New Gasket required	
	2	274472	CARBURETOR BODY	1			
	3	262991	PURGE BODY	1			
	4	262992	COVER	1			
	5	261874	PRIMER	1			
	6	283905	DIAPHRAGM METERRING	1			
	7	262993	GASKET	1			
	8	262994	DIAPHRAGM	1			
	9	282576	GASKET	1			
	10	285030	MAIN JET	1			
	11	261871	O-RING	1			
	12	261876	RING	1			
	13	261658	SWIVEL	1			
	14	264682	SCREW	2			
	15	262996	SCREW	4	5		
	16	261864	GASKET	1	5		
	17	264691	O-RING	1	5		
	18	277926	CLEANER ASSY	1		Incl.19-21	
	19	277554	AIR CLEANER COVER	1			
	20	266433	HOUSING ASSY	1			
	21	264695	FILTER	1			
	22	269834	SCREW	2	5		
	23	276798	TANK ASSY	1		Incl.24-34	
	24	273516	FUEL TANK CAP ASSY	1			
	25	275306	FUEL TANK CAP ASSY	1		Incl.26	
	26	274875	PACKING	1			
	27	261696	BREATHER ASSY	1			
	28	265752	FUEL PIPE	1		Incl.29-34	
	29	264031	FUEL PIPE ASSY	1		Incl.30-32	
	30	261115	GROMMET	1			
	31	261690	FUEL PIPE	1		160L	
	32	263038	RETURN PIPE	1		3x6x85L	
	33	277887	FILTER ASSY	1			
	34	261117	CLIP	1			
	35	261117	CLIP	1			
	36	269828	SCREW	2	5	M5x16	
	37	281208	SCREW	1	5	M5x16	

WX21
6. ACCESSORIES



Status	Position	Parts Number	Parts Name	Unit Quantity	Set Unit Quantity	Remarks	Maker code
	1	210418	BOX SPANNER	1		13x19x(+)	
	2	022865	DOUBLE-ENDED SPANNER	1		8x10	
	3	210181	LEVER HANDLE	1		3.5x170L	
	4	219432	WRENCH	1		4mm	
	5	219433	WRENCH	1		5mm	
×	6	227509	CHIP SAW	1			
	7	220534	BLADE COVER	1			
	8	241325		1		WX21/24/30/42	