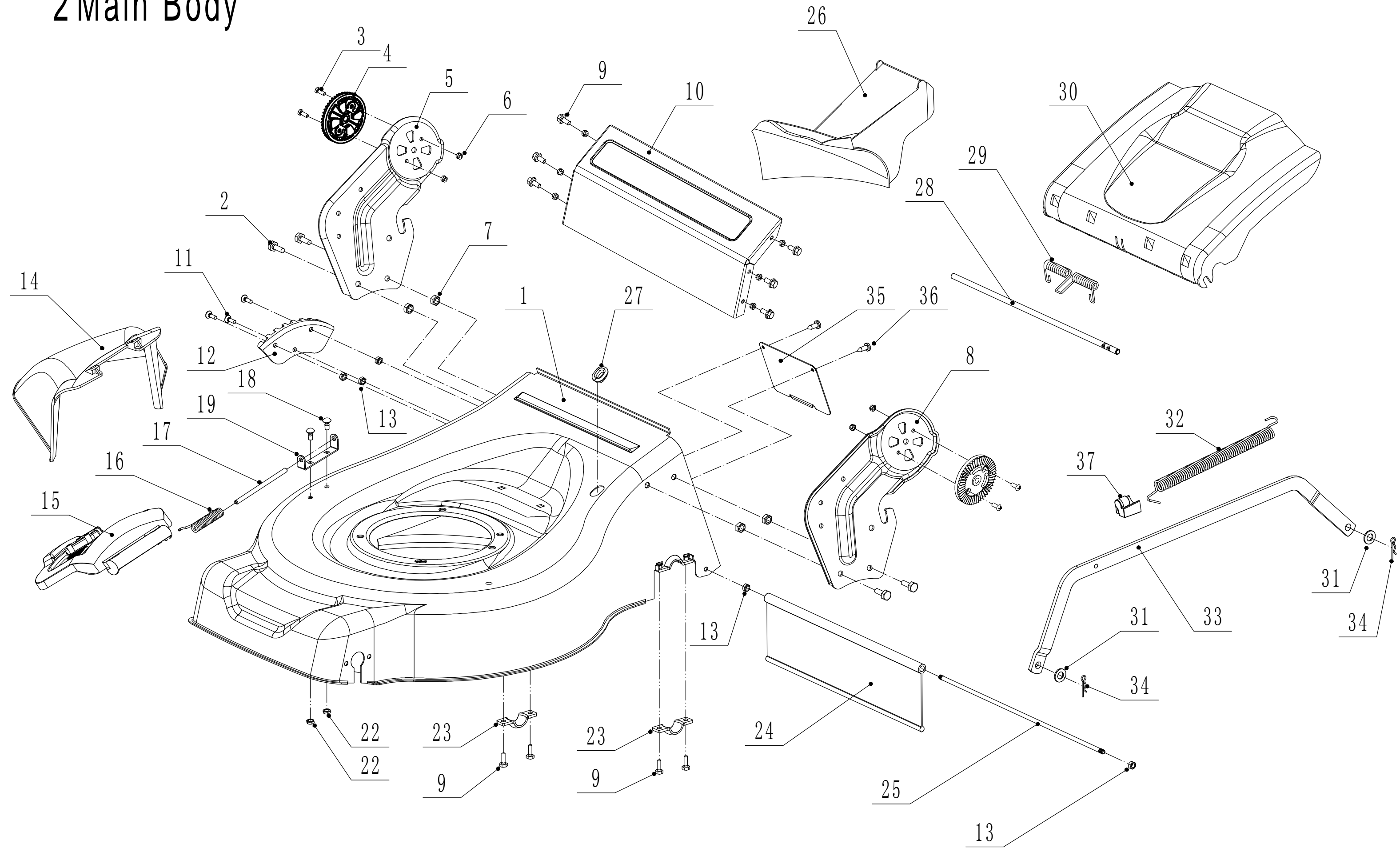
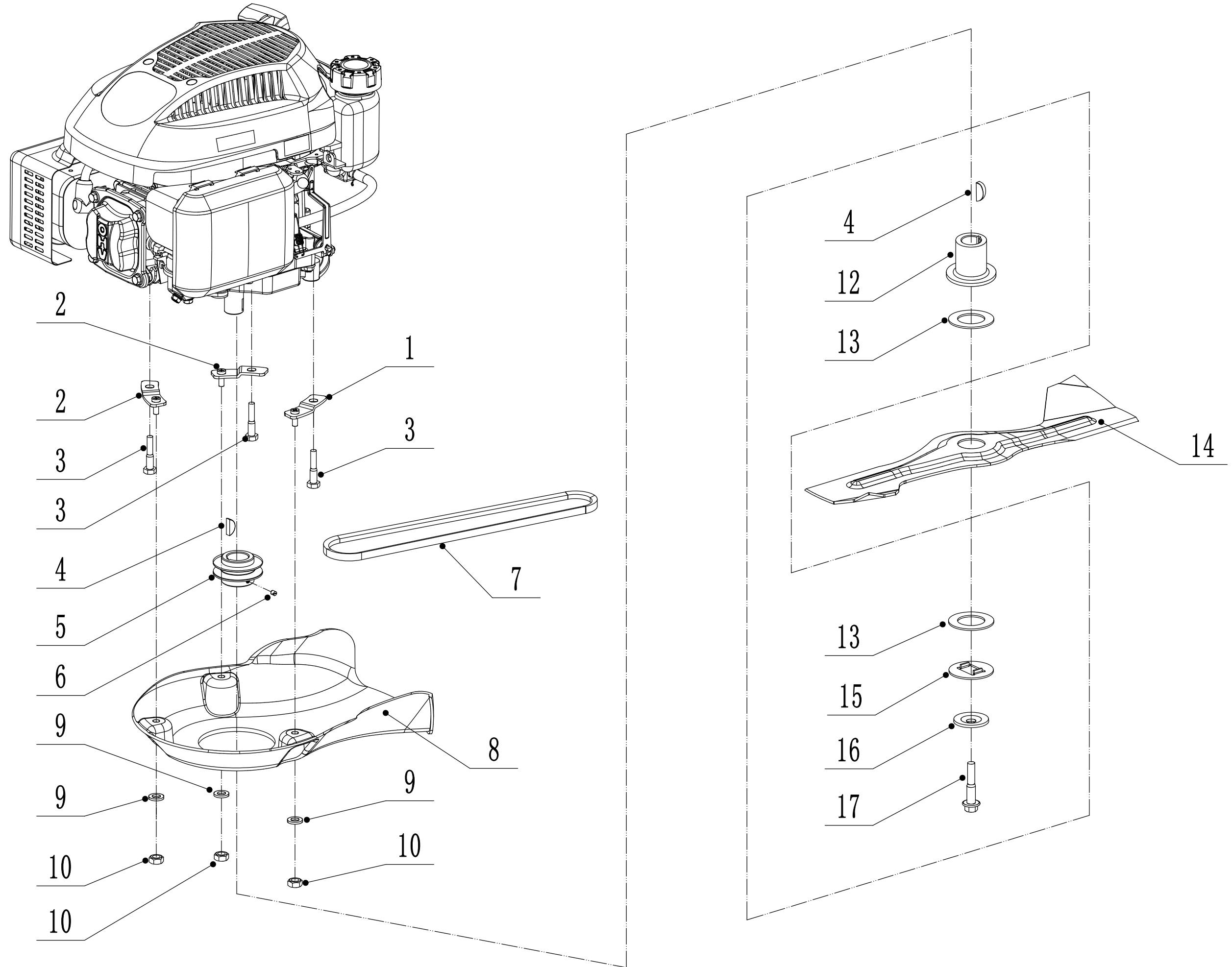


2 Main Body



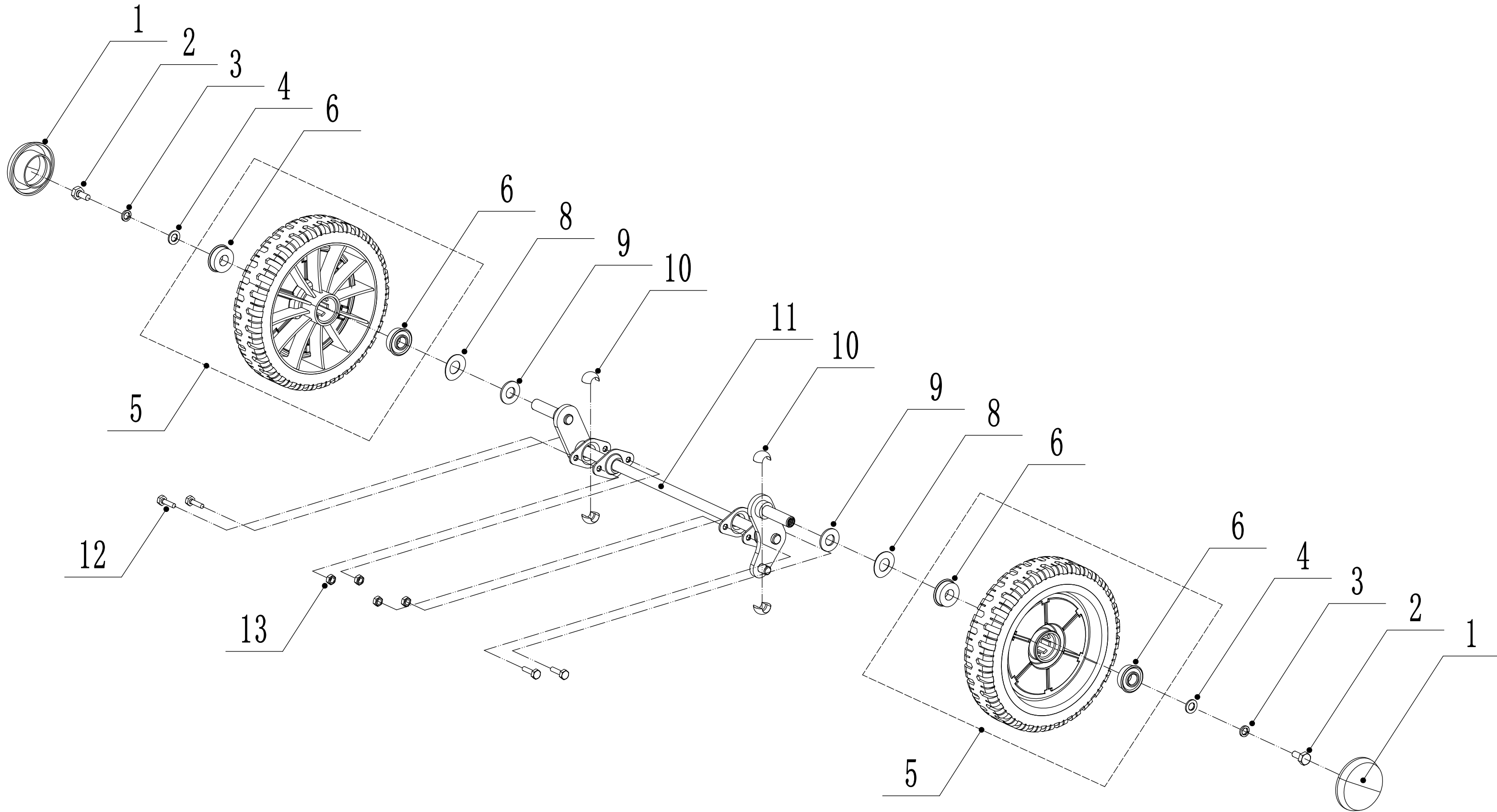
2			
Order	Part number	Name_English	Quantity
1	U456-00056	Chassis	1
2	U455-00002	Bolt - M8x16	4
3	U455-00003	Screw - M5x12	4
4	U455-00004	Tooth Disc	2
5	U455-00005	Right Handle Bracket	1
6	U455-00006	Lock Nut - M5	4
7	U455-00007	Lock Nut - M8	4
8	U455-00008	Left Handle Bracket	1
9	U455-00009	Bolt - M6x12	10
10	U456-00057	Connector	1
11	U455-00011	Screw - M6x16	3
12	U455-00012	Graduator	1
13	U455-00013	Lock Nut - M6	11
14	U506-00003	Side Discharge Deflector	1
15	U506-00004	Side Discharge Cover Kit	1
16	U455-00016	Spring - Side Discharge Cover	1
17	U455-00017	Pivot - Side Discharge Cover	1
18	U455-00018	Square Neck Bolt	2
19	U455-00019	Side Discharge Cover Bracket	1
22	U455-00020	Lock Nut - M6	2
23	U455-00021	Upper Bearing Bracket	2
24	U506-00005	Trailing Flap	1
25	U506-00006	Pivot - Trailing Flap	1
26	U506-00007	Mulching Plug	1
27	U455-00025	Rubber Ring	1
28	U506-00008	Pivot - Rear Cover	1
29	U455-00027	Spring - Grass Bag Flap	1
30	U506-00009	Grass Bag Flap	1
31	U455-00029	Flat Washer	2
32	U455-00030	Connecting Rod Spring	1
33	U506-00010	Connecting Rod	1
34	U455-00032	Spring Clip	2
35	U455-00033	Shield	1
36	U455-00034	St Screw - ST4.2x9.5	2
37	U455-00035	Spring Bracket	1

3 Blade System



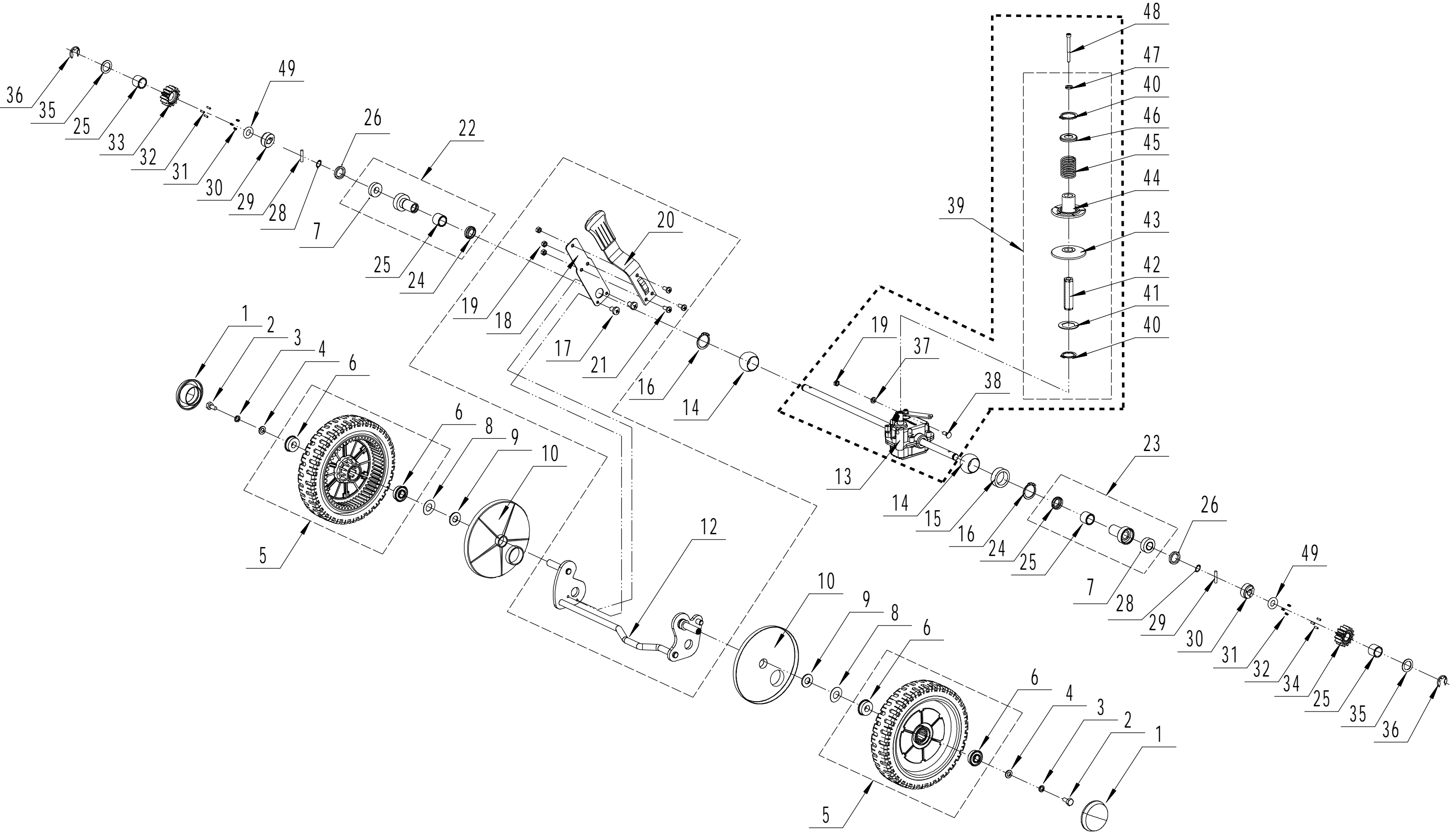
3			
Order	Part number	Name_English	Quantity
1	U455-00036	Engine Washer 1	1
2	U455-00037	Engine Washer 2	2
3	U455-00038	Screw - M3/8x16x25	3
4	U455-00039	Key	2
5	U506-00012	Engine Pulley	1
6	U455-00041	Screw - M6x6	1
7	U506-00013	V Belt - V10x835 30°	1
8	U506-00014	Belt Shield	1
9	U455-00044	Big Flat Washer	3
10	U455-00013	Lock Nut - M6	3
12	U455-00045	Adapter	1
13	U455-00046	Friction Washer	2
14	U456-00058	Big wing Blade	1
15	U455-00048	Lock Disc	1
16	U455-00049	Dish Washer	1
17	U456-00005	Central Bolt - 3/8-24x55	1

4 Front Axle



4			
Order	Part number	Name_English	Quantity
1	U455-00114	Wheel Cap	2
2	U455-00052	Bolt - M8x15	2
3	U455-00053	Spring Washer	2
4	U455-00061	Flat Washer	2
5	U506-00016	Wheel	2
6	U455-00056	Bearing	4
8	U455-00057	Spacer	2
9	U455-00058	Wheel Axis Spacer	2
10	U455-00059	Spherical Bearing	4
11	U506-00017	Front Axle Welding	1
12	U455-00009	Bolt - M6x12	4
13	U455-00013	Lock Nut - M6	4

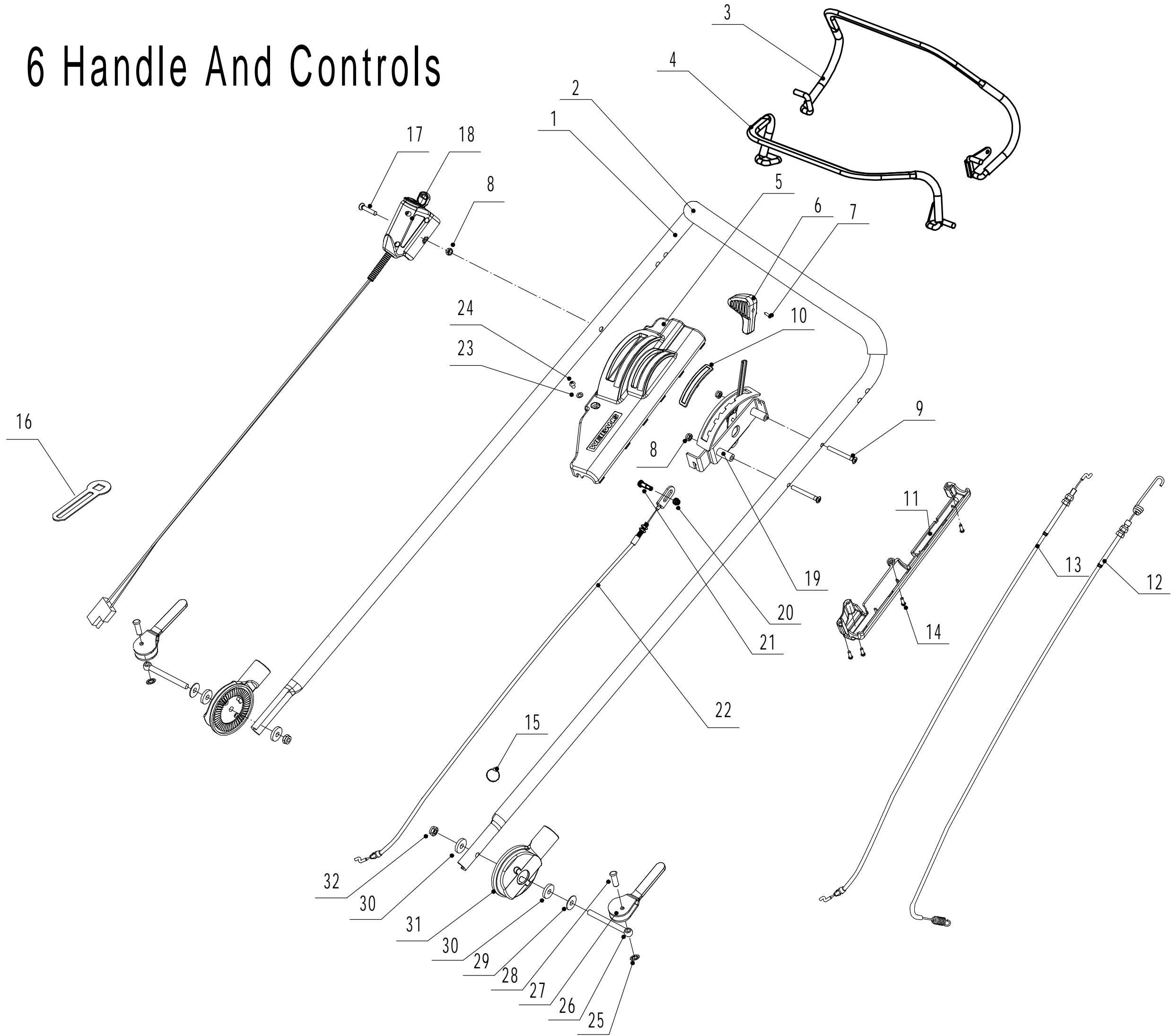
5 Rear axle



5			
Order	Part number	Name_English	Quantity
1	U455-00114	Wheel Cap	2
2	U455-00052	Bolt - M8x15	2
3	U455-00053	Spring Washer	2
4	U455-00061	Flat Washer	2
5	U455-00062	Wheel	2
6	U455-00056	Bearing	4
7	U456-00006	Bearing	2
8	U455-00057	Spacer	2
9	U455-00058	Wheel Axis Washer	2
10	U455-00063	Anti-Dust Shield	2
12	U506-00018	Rear Axle Weldment	1
13	U506-00019	Rear Transmission	1
14	U455-00066	Nylon Spherical Bearing	2
15	U455-00067	Rear Transmission Partition	1
16	U455-00068	Check Ring For Shaft	2
17	U456-00007	Screw - M5x8	2
18	U455-00070	Spring Of Adjustment Lever	1
19	U455-00013	Lock Nut - M6	3
20	U455-00071	Adjustment Lever	1
21	U456-00008	Bolt - M6x14	3
22	U455-00073	Right Bearing Sheath Assembly	1
23	U455-00074	Left Bearing Sheath Assembly	1
24	U455-00075	Dustproof Ring	2
25	U455-00076	Bearing	4
26	U456-00009	Spacer	2
28	U455-00077	Check Ring For Shaft	2
29	U455-00078	Pin For Ratchet	2
30	U455-00079	Ratchet	2
31	U455-00080	Spring	6
32	U455-00081	Pin	6
33	U455-00082	Right Drive Pinion	1
34	U455-00083	Left Drive Pinion	1
35	U455-00084	Friction Mat	2
36	U455-00085	Check Ring	2
37	U455-00054	Flat Washer	1
38	U455-00018	Bolt - M6x14	1
39	U506-00020	Speed Variator Assembly	1
40	U506-00021	Check Ring For Shaft	2
41	U506-00022	Inner Hex Washer	1
42	U506-00023	Hex Adapter	1
43	U506-00024	Lower Pulley Disc	1
44	U506-00025	Active Pulley Disc	1

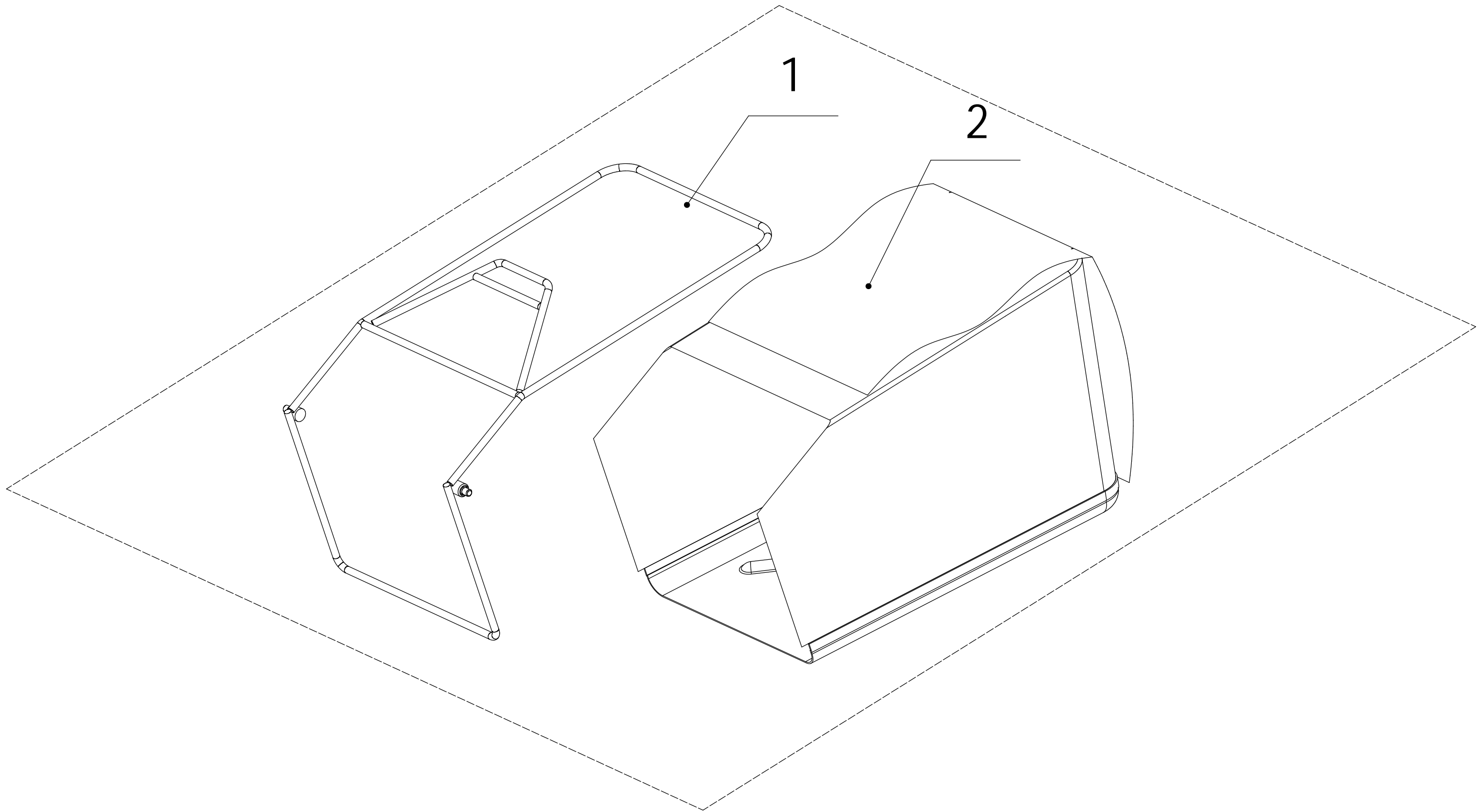
45	U506-00026	Pressing Spring	1
46	U506-00027	Spring Cap	1
47	U506-00028	Spring Washer	1
48	U506-00029	Bolt - M5x55	1
49	U455-00089	O Sealing Ring	2

6 Handle And Controls



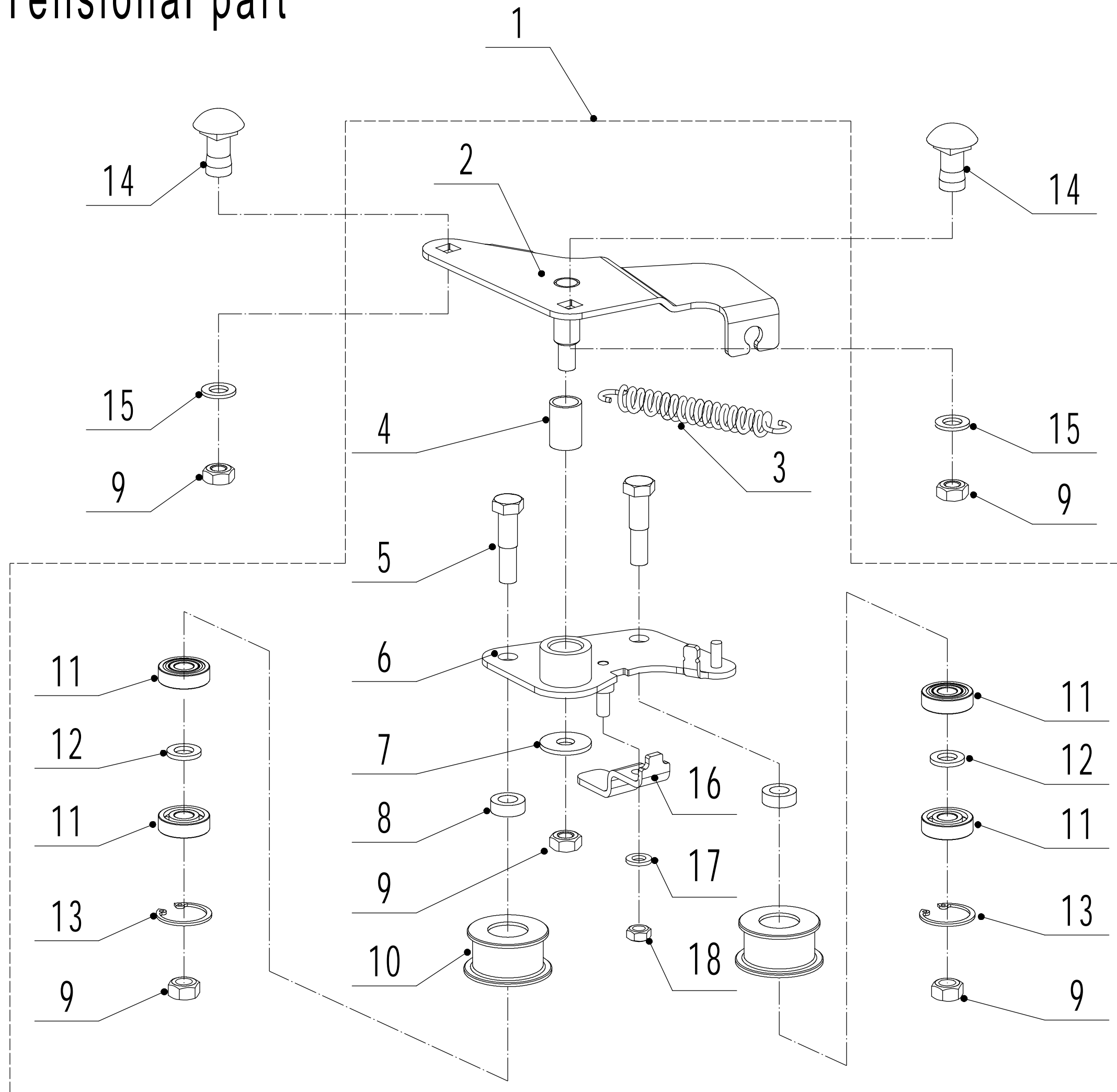
6			
Order	Part number	Name_English	Quantity
1	U456-00059	Handle	1
2	U456-00011	Handle Sheath	1
3	U506-00031	Clutch Lever Weldment	1
4	U506-00032	Brake Lever Weldment	1
5	U506-00033	Control Box Upper Cover	1
6	U506-00034	Speed Control Grip	1
7	U506-00035	Screw - ST2.9x13	1
8	U455-00013	Lock Nut	3
9	U506-00037	Screw - M6x60	2
10	U455-00118	throttle cover	1
11	U506-00039	Control Box Lower Cover	1
12	U506-00040	Brake Cable	1
13	U506-00041	Clutch Calbe	1
14	U506-00042	Screw	4
15	U456-00012	Cable tie	1
16	UV160-00060	Pressing Cable Bracket	1
17	U456-00013	Cross Slot bolt	1
18	U456-00014	Button Start Assembly	1
19	U506-00044	Speed Control Bracket	1
20	U455-00006	Lock Nut - M5	1
21	U506-00045	Speed Control Cable Bolt	1
22	U506-00047	Speed Control Cable	1
23	U506-00049	Flat Washer	1
24	U455-00003	Screw - M5x12	1
25	U455-00100	Fix Cap	2
26	U455-00101	Connecting Bolt	2
27	U455-00102	Lock Lever	2
28	U455-00120	Axis Pin - 8x25	2
29	U455-00104	Spacer	2
30	U455-00105	Spacer	4
31	U455-00106	Tooth Disc Kit	2
32	UAE55-00062	Lock Nut - M8	2

7 Grass Catcher



7			
Order	Part number	Name_English	Quantity
1	U506-00050	Grass Catcher Frame	1
2	U456-00060	Grass Bag	1

8 Tensional part



8			
Order	Part number	Name_English	Quantity
1	U456-00015	Tensional Pully Assembly	1
2	U456-00016	Tensional Arm Bracket	1
3	U506-00054	Tensional Spring	1
4	U506-00055	Nylon Bush	1
5	U506-00056	Tensional Pulley Bolt	2
6	U456-00017	Tensional Arm Weldment	1
7	U506-00058	Big Flat Washer - M8	1
8	U506-00059	Spacer1	2
9	U455-00007	Lock Nut - M8	5
10	U506-00060	Tensional Pulley	2
11	U506-00061	Bearing	4
12	U506-00062	Spacer2	2
13	U506-00063	Check Ring For Shaft	2
14	U455-00123	Square Neck Bolt - M8x16	2
15	U455-00061	Flat Washer - 8	2
16	U456-00018	Belt limit plate	1
17	U455-00054	Flat Washer - 6	1
18	U455-00013	Nut - M6	1