

FIG. 3 COVER SUBASSEMBLY, CRANKCASE (E01)

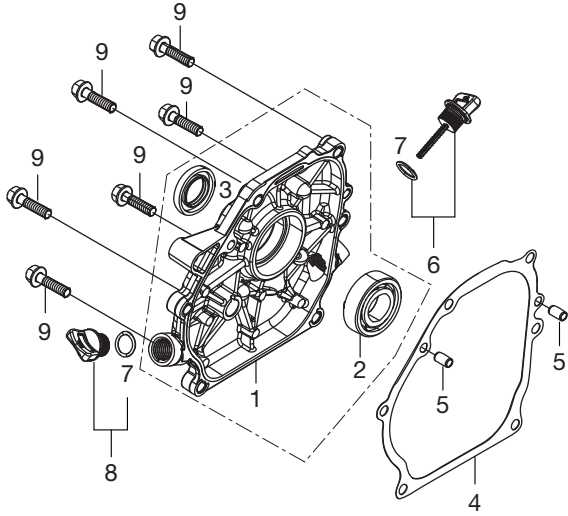


FIG. 4 ROD, CRANKSHAFT CONNETING (E03)

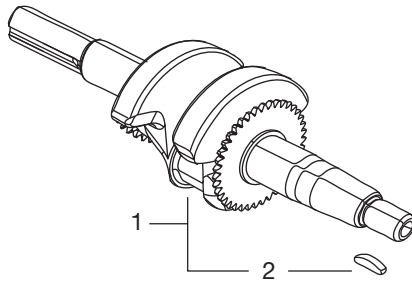


FIG. 5 RING SET, OIL / ROD, CRANKSHAFT CONNETING (E04)

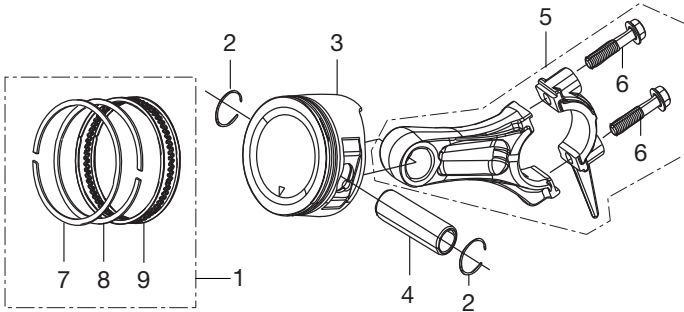


FIG. 6 TRAIN, VALVE / CAMSHAFT SUBASSEMBLY (E05)

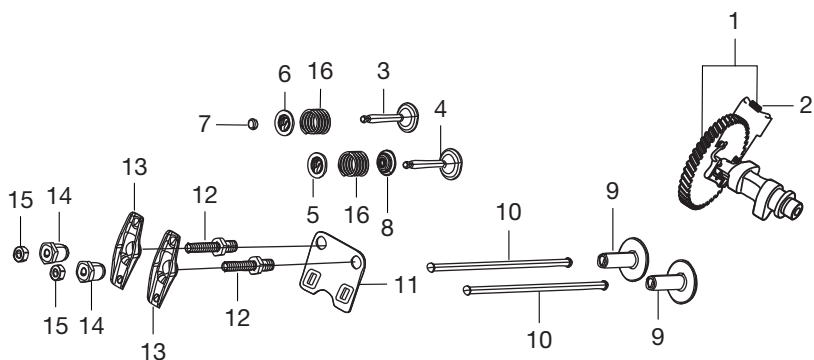


FIG. 7 STARTER, RECOIL (E08)

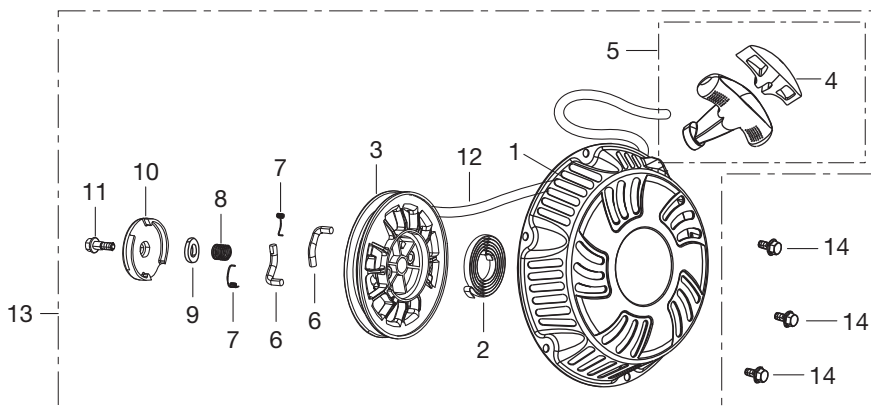


FIG. 8 SHROUD / SHIELD, LOWER (E14)

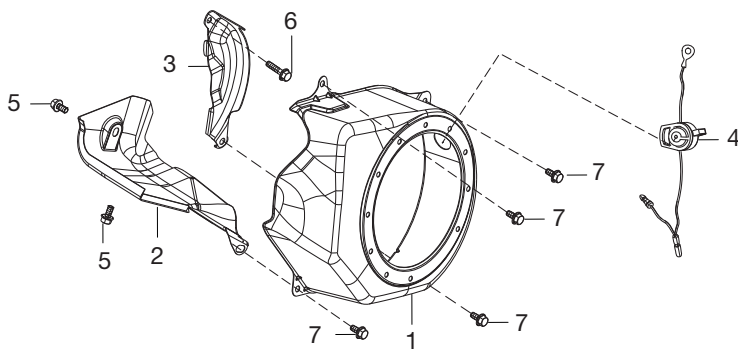


FIG. 9 CARBURETOR ASSEMBLY (E11)

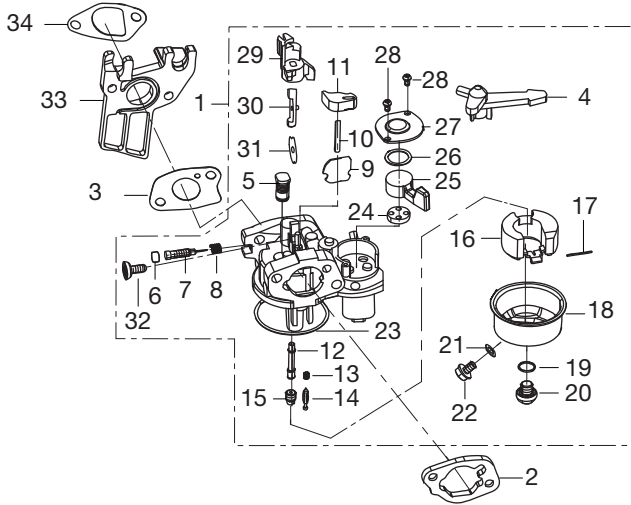


FIG. 10 CLEANER, AIR (F02)

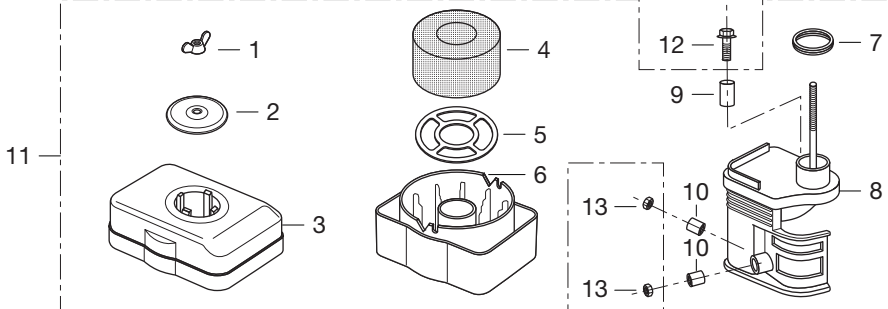


FIG. 11 MUFFLER ASSEMBLY (F04)

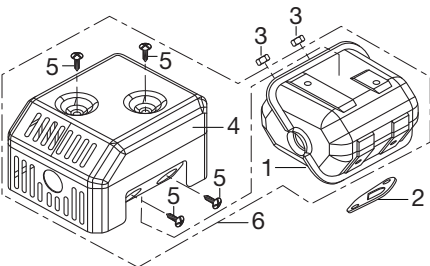


FIG.12 TANK ASSEMBLY, FUEL (F01)

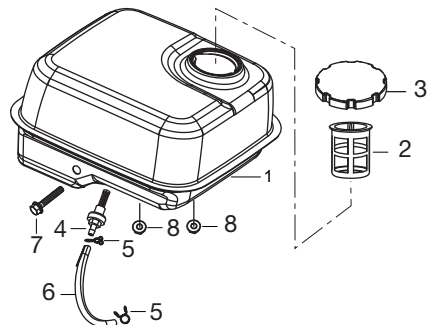


FIG. 13 FLYWHEEL / IMPELLER / STARTER PULLEY / IGNITION COIL (E15)

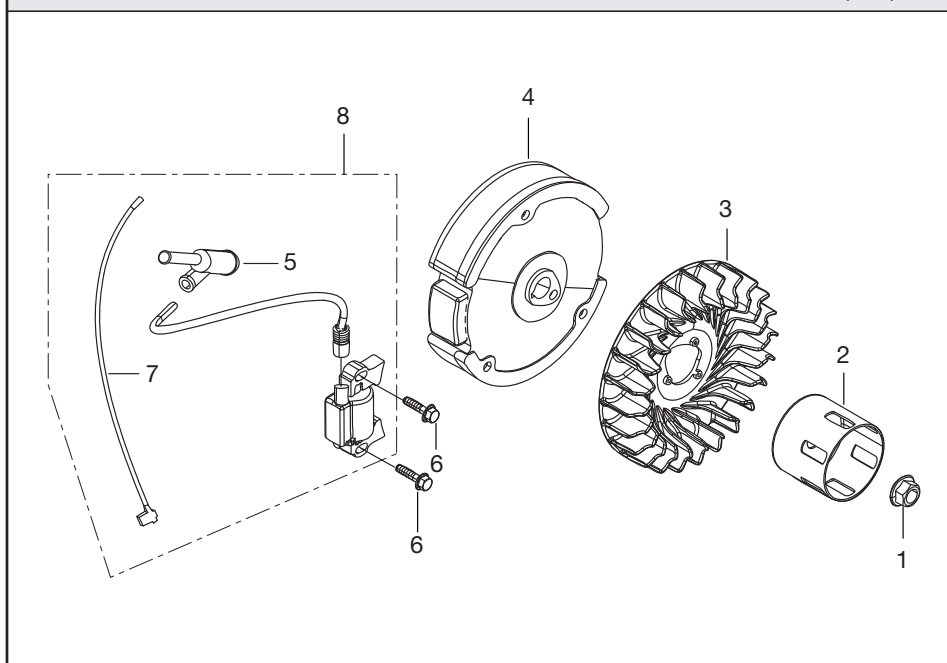


FIG. 14 CONTROL ASSEMBLY, THROTTLE (E13)

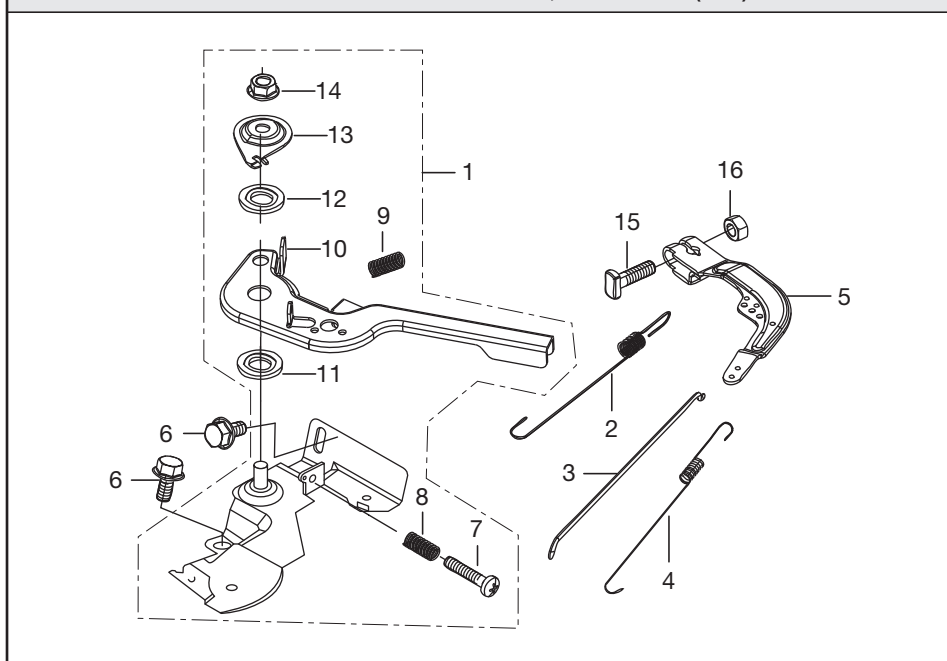


FIGURE	PART	REFERENCE	DESCRIPTION	QTY
FIG. 1	E04-4	U210-00001	GASKET, CYLINDER HEAD	1
	E04-5	U210-00002	COVER SUBASSEMBLY, CYLINDER HEAD	1
	E04-6	U210-00003	GASKET, CYLINDER HEAD COVER	1
	E04-7	U210-00004	TUBE, BREATHER	1
	E04-8	U210-00005	BOLT	4
	E04-9	U210-00006	STUD	2
	E04-10	U210-00007	STUD	2
	E04-11	U210-00008	PIN	2
	E04-12	U210-00009	BOLT, CYLINDER HEAD	4
	E04-13	U210-00010	PLUG, SPARK	1
	E04-15	U210-00011	HEAD SUBASSEMBLY, CYLINDER	1
FIG. 2	E17-1	U210-00012	CRANKCASE SUBASSEMBLY	1
	E17-2	U210-00013	GEAR ASSY, GOVERNOR	1
	E17-3	U210-00014	ARM, GOVERNOR	1
	E17-4	U210-00015	BOLT, DRAIN PLUG	2
	E17-5	U210-00016	WASHER	2
	E17-6	U210-00017	BEARING	1
	E17-7	U210-00018	SEAL, OIL	1
	E17-8	U210-00019	WASHER, GOVERNOR GEAR	1
	E17-9	U210-00020	PIN	1
FIG. 3	E01-1	U210-00021	COVER , CRANKCASE	1
	E01-2	U210-00022	BEARING	1
	E01-3	U210-00023	SEAL, OIL	1
	E01-4	U210-00024	GASKET, CRANKCASE	1
	E01-5	U210-00025	PIN	2
	E01-6	U210-00026	DIPSTICK SUBASSEMBLY, OIL	1
	E01-8	U210-00027	PLUG SUBASSEMBLY, ENGINE OIL	1
	E01-9	U210-00028	BOLT	6
	FIG. 4	E03-1	U210-00029	CRANKSHAFT ASSY.
FIG. 5	E04-1	U210-00030	RING SET, OIL	1
	E04-2	U210-00031	CLIP, PISTON PIN	2
	E04-3	U210-00032	PISTON	1
	E04-4	U210-00033	PIN, PISTON	1
	E04-5	U210-00034	ROD, CONNECTING	1
	E04-7	U210-00035	RING, THE FIRST	1
	E04-8	U210-00036	RING, THE SECON	1
	E04-9	U210-00037	RING SET, OIL	1
	FIG. 6	E05-1	U210-00038	CAMSHAFT ASSY.
E05-3		U210-00039	VALVE, EXHAUST	1
E05-4		U210-00040	VALVE, INTAKE	1
E05-5		U210-00041	SEAT, VALVE SPRING	1
E05-6		U210-00042	RETAINER, EXHAUST VALVE	1
E05-7		U210-00043	ROTATOR, VALVE	1
E05-8		U210-00044	GUIDE, SEAL	1
E05-9		U210-00045	TAPPET, VALVE	2
E05-10		U210-00046	LIFTER, VALVE	2
E05-11		U210-00047	PLATE SUBASY, LIFTER STOPPER	1
E05-12		U210-00048	BOLT, VALVE ADJUSTING	2

FIGURE	PART	REFERENCE	DESCRIPTION	QTY
FIG. 6	E05-13	U210-00049	ROCKER, VALVE	2
	E05-14	U210-00050	NUT, VALVE ADJUSTING	2
	E05-15	U210-00051	NUT, VALVE LOCK	2
	E05-16	U210-00052	SPRING, VALVE	2
FIG. 7	E08-13	U210-00053	STARTER ASSY, RECOIL	1
	E08-14	U210-00054	BOLT	4
FIG. 8	E14-1	U210-00055	SHROUD	1
	E14-2	U210-00056	SHROUD, CYLINDER BODY	1
	E14-3	U210-00057	SHIELD, LOWER	1
	E14-4	U210-00058	SWITCH SUBASY, STOP ENGINE	1
	E14-7	U210-00005	BOLT	4
	E14-5	U210-00060	BOLT	2
	E14-6	U210-00061	BOLT	1
FIG. 9	E11-1	U210-00062	CARBURETOR ASSY.	1
	E11-2	U210-00063	GASKET, AIR CLEANER	1
	E11-3	U210-00064	GASKET, CARBURETOR	1
	E11-4	U210-00065	CHOKE LEVER	1
	E11-33	U210-00066	PLATE, CARBURETOR INSULATOR	1
	E11-34	U210-00067	GASKET, CARBURETOR INSULATOR	1
FIG. 10	F02-1	U210-00068	BUTTERFLY NUT	1
	F02-4	U210-00069	CLEANER, AIR	1
	F04-11	U210-00070	CLEANER ELEMENT, AIR	1
FIG. 11	F04-2	U210-00071	GASKET, EXHAUST OUTLET	1
	F04-3	U210-00072	NUT	2
	F04-6	U210-00073	MUFFLER ASSY.	1
FIG. 12	F01-1	U210-00074	TANK, FUEL	1
	F01-2	U210-00075	STRAINER, FUEL	1
	F01-3	U210-00076	COVER, FUEL TANK	1
	F01-4	U210-00077	OUTLET SUBASSEMBLY, FUEL TANK OIL	1
	F01-5	U210-00078	COLLAR	2
	F01-6	U210-00079	TUBE, FUEL	1
	F01-7	U210-00080	BOLT	1
	F01-8	U210-00081	NUT	2
FIG. 13	E15-1	U210-00082	NUT, FLYWHEEL	1
	E15-2	U210-00083	PULLEY, STARTER	1
	E15-3	U210-00084	IMPELLER	1
	E15-4	U210-00085	FLYWHEEL SUBASSEMBLY	1
	E15-6	U100-00023	BOLT	2
	E15-8	U210-00087	COIL, IGNITION	1
FIG. 14	E13-1	U210-00088	CONTROL ASSY, THROTTLE	1
	E13-2	U210-00089	SPRING, GOVERNOR	1
	E13-3	U210-00090	ROD, GOVERNER	1
	E13-4	U210-00091	SPRING, THROTTLE VALVE RETURNING	1
	E13-5	U210-00092	SUPPORT SUBASSEMBLY, GOVERNOR	1
	E13-6	U210-00060	BOLT	2
	E13-15	U210-00094	BOLT, GOVERNOR SUPPORT	1
	E13-16	U210-00081	NUT	1