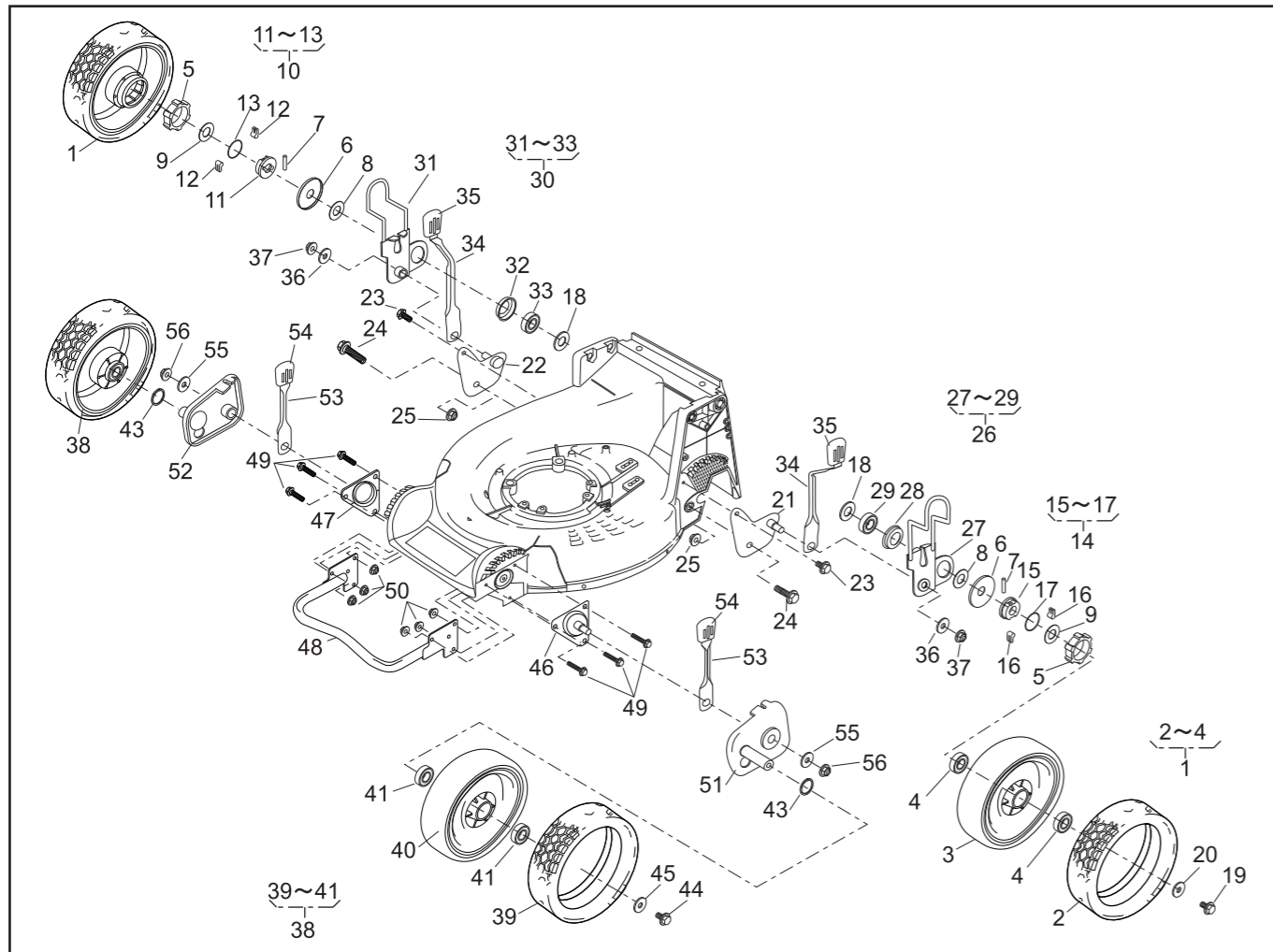


PARTS LIST

BRAKE ASSY (71067-106)

P/L No. 46014-266-02

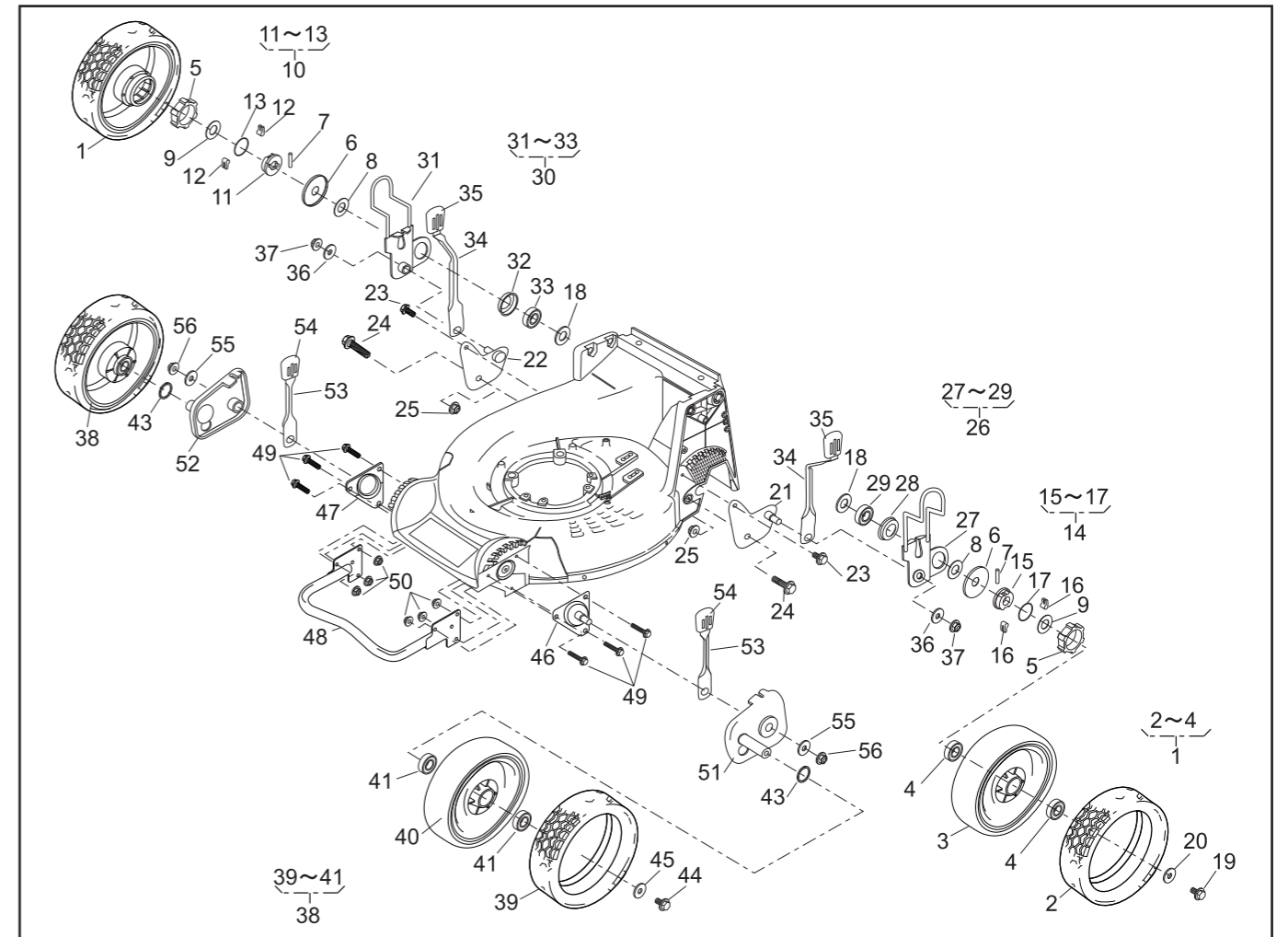
REF. No.	PARTS No.	PARTS NAME	BBC		1/1	Feb.09,2005	REMARKS
			Q'TY INCLUDING	PRICE()	RECOMM.(%) Lot.100		
1	71067 106	BRAKE ASS'Y	1				
2	19512 883 000	FAN COLLAR	2				
3	72600 VA4 010	HOLDER ASS'Y	1				
4	72613 VA4 000	BUSH, BLADE HOLDER	2				
5	75090 VA4 030	CONTROL ASS'Y	1				
6	75100 VA4 010	BRAKE C.P.	1				
7	75110 VA4 000	BALL RETAINER C.P.	1				
8	75182 VA3 J00	SPRING, CLUTCH RETURN	2				
9	90014 952 000	FLANGE BOLT	2				6 x 14
10	90021 VA4 000	BOLT, SPECIAL	3				6 mm
11	90409 952 000	WASHER	1				10 mm
12	90501 952 010	THRUST WASHER	1				
13	75130 VA4 000	BRAKE DISK	1				
14	75132 VA4 000	SPRING, BRAKE HOLDER	3				
15	75183 VA3 J00	SPRING, CLUTCH	1				
16	75150 VA3 J01	DRIVEN DISK C.P.	1				
17	94401 16150	WOODRUFF KEY	1				
18	90105 960 003	BOLT (10x25)	1				
19							
20							
21							
22							
23							
24							
25							
26							
27							
28							



PARTS LIST

46014-225

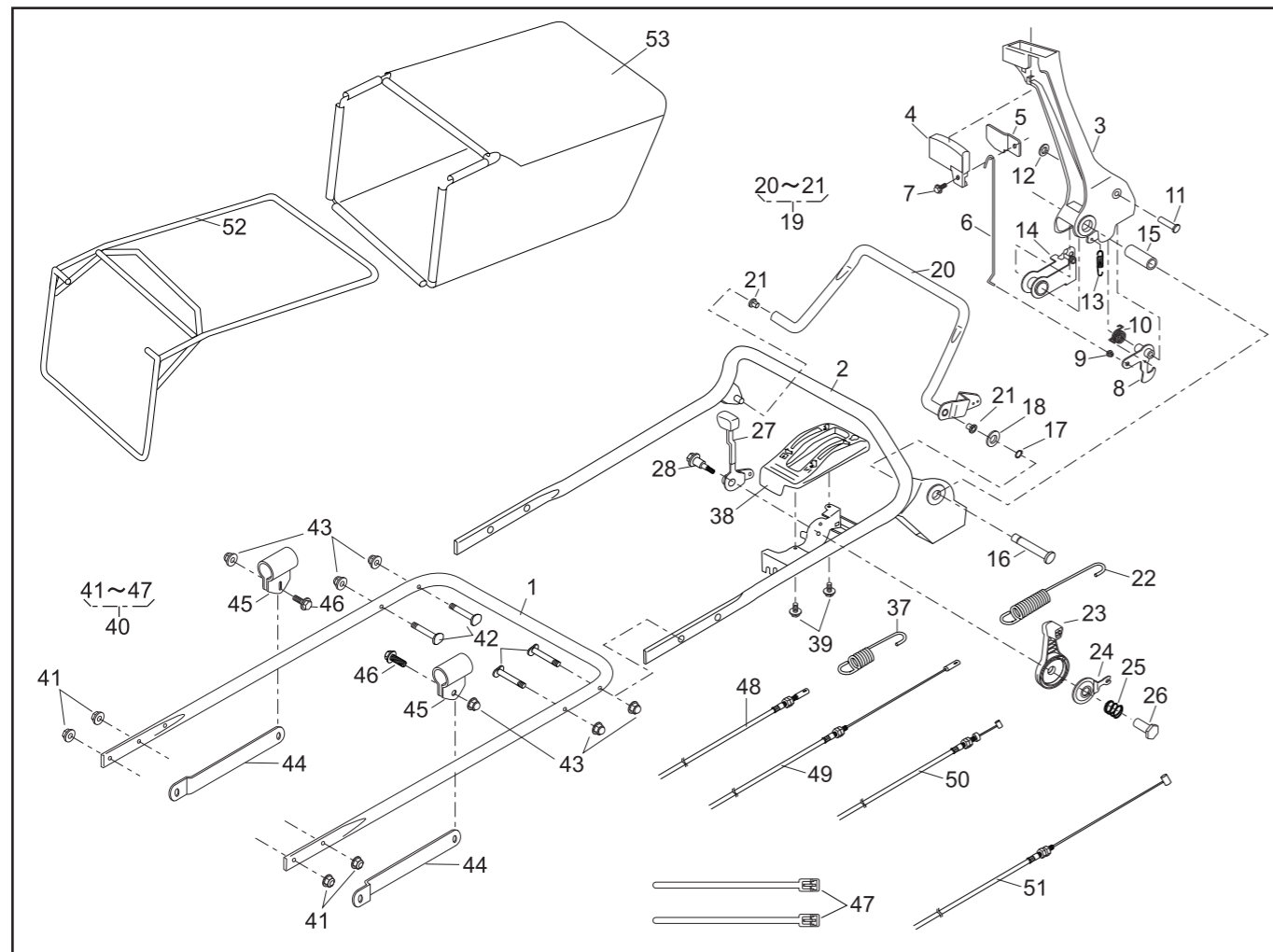
REF. No.	PARTS No.	PARTS NAME	9.6"AI-WHEEL		PRICE()	RECOMM.(%) Lot.100	REMARKS
			Q'TY INCLUDING				
1	71041 144	WHEEL ASSY(9.6"A.W.)	2				
2	91086 116	TIRE	2				
3		WHEEL	2				
4	916B 6002	BEARING	4				
5	11086 119	STOPPER	2				
6	61003 112	THRUST PLATE	2				
7	31034 137	PIN	2				
8	68036 270	WASHER	2				
9	68036 146	WASHER	2				
10	71158 101	RATCHET ASSY(R)	1				
11	11102 138	HOLDER	1				
12	31034 170	PIN	2				
13	68013 266	SPRING	1				
14	71158 102	RATCHET ASSY(L)	1				
15	11102 138	HOLDER	1				
16	31034 170	PIN	2				
17	68013 266	SPRING	1				
18	68036 275	WASHER	2				
19	31057 181	HEXAGON BOLT	2				
20	68036 101	WASHER	2				
21	11006 151	STAY C.P.(RL)	1				
22	11006 152	STAY C.P.(RR)	1				
23	342L 0612	FLANGE BOLT TAPPING	2				
24	31057 255	HEXAGON BOLT	2				
25	569L 0800	FLANGE NYLON NUT	2				
26	71122 110	ADJUSTER ASSY(L)	1				
27	11142 125	ADJUSTER(RL)	1				
28	11102 228	HOLDER	1				



PARTS LIST

46014-225

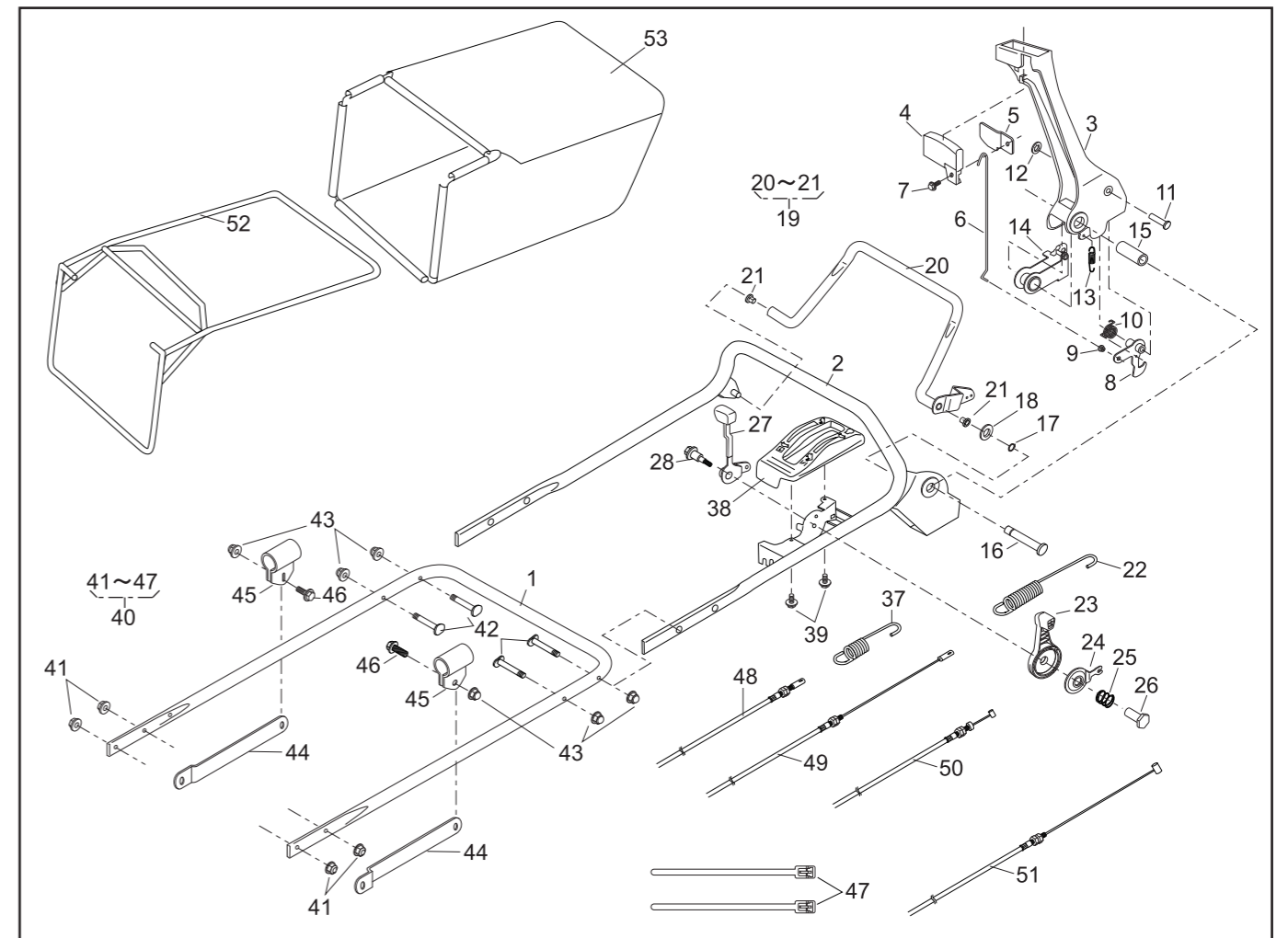
REF. No.	PARTS No.	PARTS NAME	9.6"AI-WHEEL		PRICE()	RECOMM.(%) Lot.100	REMARKS
			Q'TY INCLUDING				
29	916B 6202	BEARING	1				
30	71122 111	ADJUSTER ASSY(R)	1				
31	11142 126	ADJUSTER(RR)	1				
32	11102 228	HOLDER	1				
33	916B 6202	BEARING	1				
34	11150 105 09	ADJUST LEVER	2				
35	36061 121	KNOB	2				
36	613L 0800	WASHER	2				
37	569L 0800	FLANGE NYLON NUT	2				
38	71041 145	WHEEL ASSY(9.6"A.W.)	2				
39	91086 116	TIRE	2				
40		WHEEL	2				
41	916B 6002	BEARING	4				
42							
43	51113 119	RING	2				
44	31057 181	HEXAGON BOLT	2				
45	68036 101	WASHER	2				
46	11006 153	STAY C.P.(FL)	1				
47	11006 154	STAY C.P.(FR)	1				
48	11153 112	BUMPER	1				
49	335L 0625	FLANGE BOLT	6				
50	569L 0600	FLANGE NYLON NUT	6				
51	11142 127	ADJUSTER(FL)	1				
52	11142 128	ADJUSTER(FR)	1				
53	11150 106 09	ADJUST LEVER	2				
54	36061 121	KNOB	2				
55	613L 0800	WASHER	2				
56	569L 0800	FLANGE NYLON NUT	2				



PARTS LIST
Serial No. 3000001~

46014-245

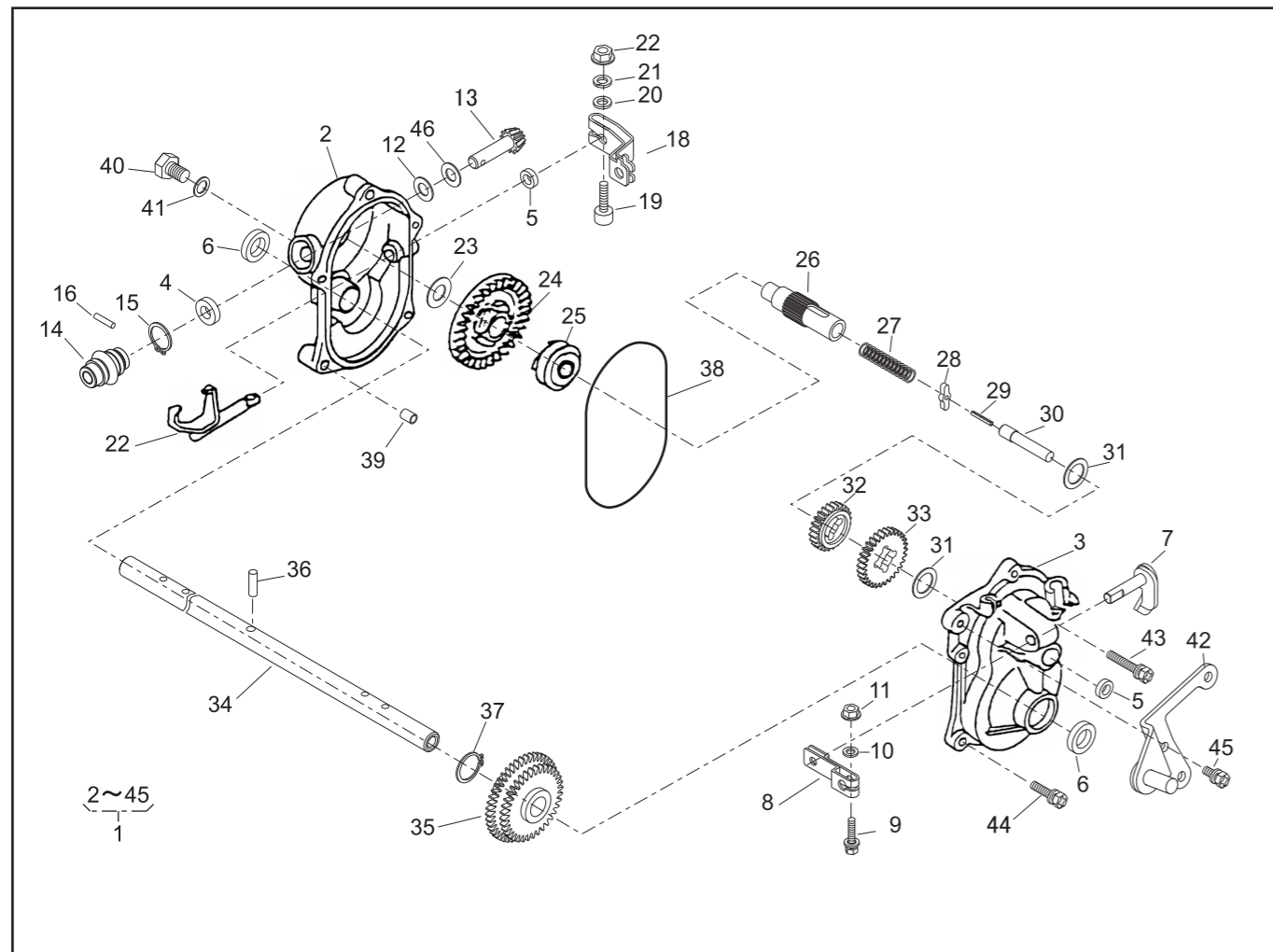
REF. No.	PARTS No.	PARTS NAME	HANDLE-Pro		1/2	Feb.08,2005	REMARKS
			Q'TY INCLUDING	PRICE()			
1	51027 249	HANDLE	1				
2	51027 250	HANDLE	1				
3	11095 172	LEVER(BBC)	1				
4	36110 102	BUTTON	1				
5	11049 109	SLIDE PLATE	1				
6	64014 336	SHAFT	1				
7	335N 0612	FLANGE BOLT	1				
8	71203 135	ARM C.P.	1				
9	76007 183	BUSH	1				
10	68013 371	SPRING	1				
11	31056 127	GIB-HEADED PIN	1				
12	576V 0600	PUSH NUT	1				
13	68013 372	SPRING	1				
14	11109 111	LINK	1				
15	61023 190	SLEEVE	1				
16	64014 337	SHAFT	1				
17	812V 0800	C-SNAP RING FOR SHAFT	1				
18	613L 0800	WASHER	1				
19	71161 114 09	LEVER ASSY	1				
20		LEVER	1				
21	76007 131	BUSH	2				
22	68013 374	SPRING	1				
23	91010 147	THROTTLE LEVER(FC150V/FC180V)	1				
24	61003 113	THRUST PLATE	1				
25	68013 356	SPRING	1				
26	31058 168	NUT	1				
27	11095 117	LEVER	1				
28	31062 109	PRE-COAT LOCK BOLT	1				



PARTS LIST
Serial No. 3000001~

46014-245

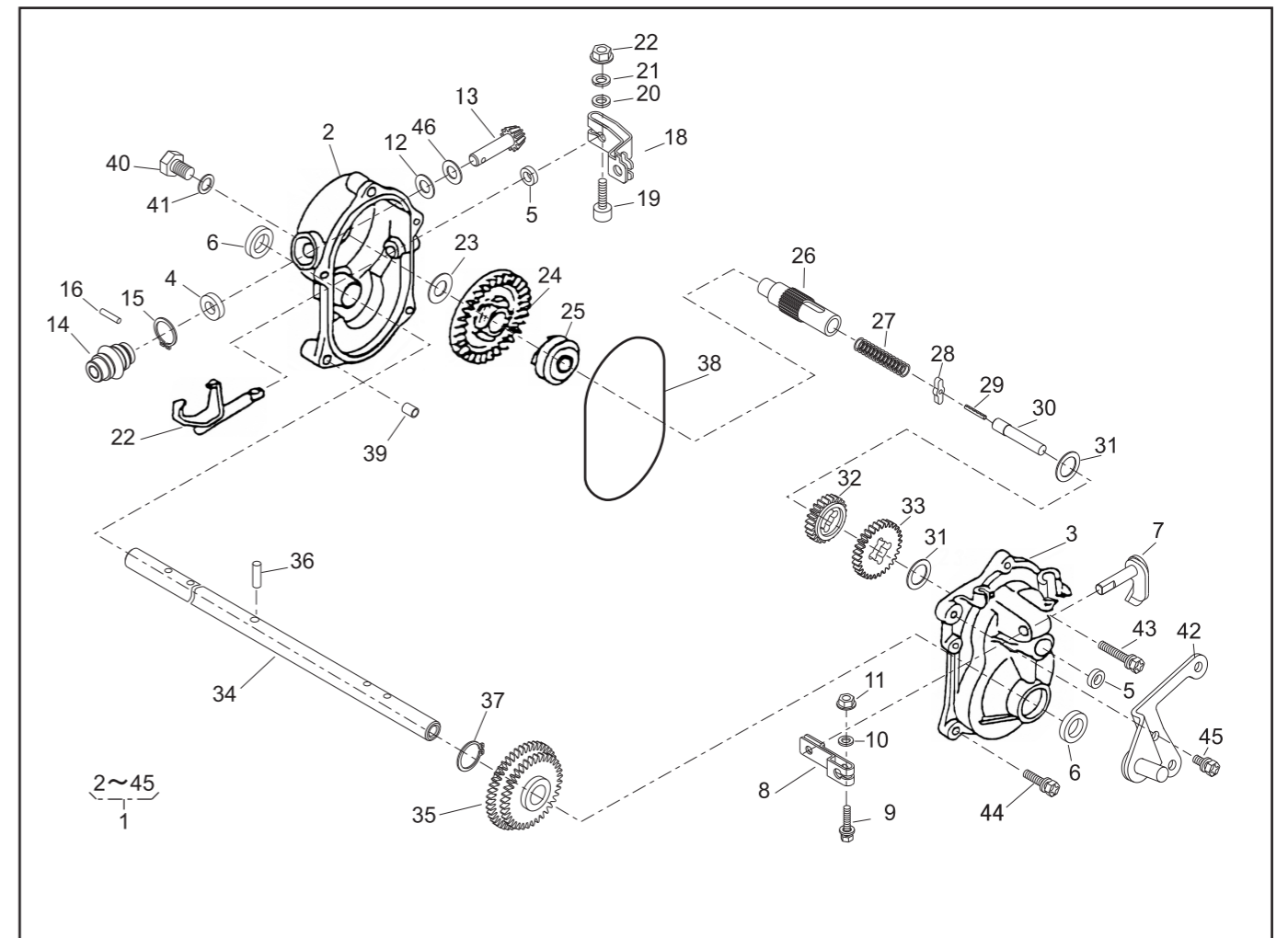
REF. No.	PARTS No.	PARTS NAME	HANDLE-Pro		2/2	Feb.08,2005	REMARKS
			Q'TY INCLUDING	PRICE()			
29							
30							
31							
32							
33							
34							
35							
36							
37	68013 161	SPRING	1				
38	71900 794	COVER ASSY	1				
39	470L 0514	(+)TAPPING SCREW	2				
40	71900 845	BOLT SET	1				
41	569L 0800	FLANGE NYLON NUT	4				
42	31057 256	BOLT	4				
43	583L 0800	FLANGE CAP NUT	6				
44	71900 846	BAR SET	1				
45	11012 132	HANGER BAND	2				
46	31057 181	HEXAGON BOLT	2				
47	68028 103	WIRE BAND	2				
48	91003 125	CONTROL CABLE	1				
49	91003 170	CONTROL CABLE	1				
50	91001 328	THROTTLE WIRE(FC180V)	1				
51	91003 169	CONTROL CABLE(BBC)	1				
52	11062 178	FRAME C.P.	1				
53	36098 132	GRASS BAG C.P.(KAAZ)	1				
54							
55							
56							



PARTS LIST
MODEL : LM5360HXA-PRO

46014-***

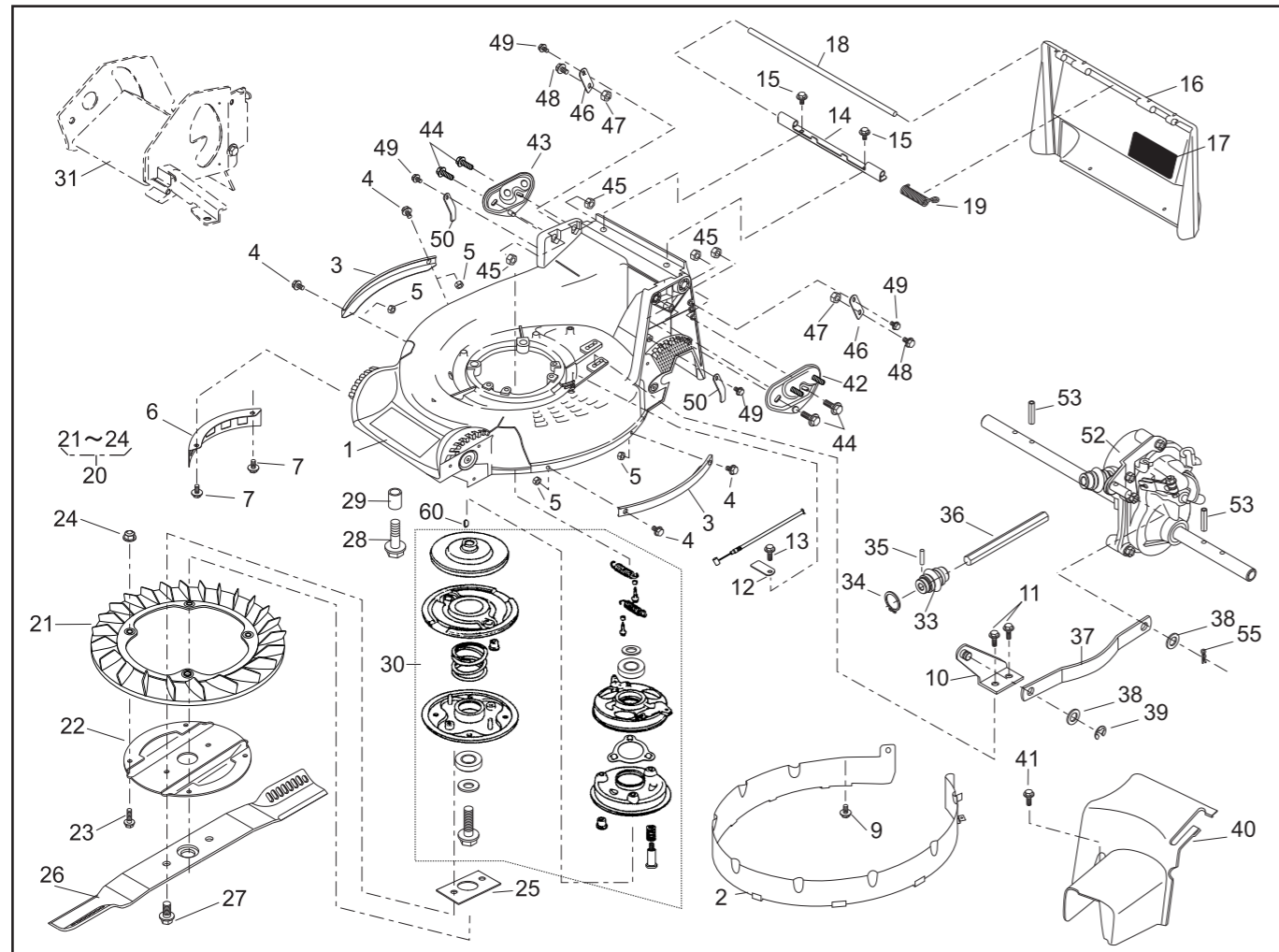
REF. No.	PARTS No.	PARTS NAME	GEAR CASE		PRICE()	1/2	RECOMM.(%) Lot.100	REMARKS
			Q'TY INCLUDING			Mar.31,2004		
1	71008 377	GEAR CASE ASSY	1					
2	51001 195	GEAR CASE	1					
3	51001 196	GEAR CASE	1					
4	61002 161	OIL SEAL	1					
5	61002 162	OIL SEAL	2					
6	61002 163	OIL SEAL	2					
7	64024 104	THIFTER SHAFT	1					
8	11104 119	ARM	1					
9	320L 0525	HEXAGON BOLT(PW)	1					
10	611L 0500	PLAIN WASHER	1					
11	571L 0500	FLANGE NUT	1					
12	61003 109	THRUST PLATE	1					
13	78003 130	PINION	1					
14	91097 101	UNIVERSAL JOINT	1					
15	812V 2000	C-SNAP RING FOR SHAFT		1				
16	717B 0418	PARALLEL PIN		1				
17	11097 106	SHIFTER FORK	1					
18	11104 137	ARM	1					
19	419U 0630	SOCKET SCREW	1					
20	611L 0600	PLAIN WASHER	1					
21	661L 0600	SPRING LOCK WASHER	1					
22	512L 0600	HEXAGON NUT	1					
23	61024 117	SPACER	1					
24	78001 162	BEVEL GEAR	1					
25	11129 107	CLUTCH	1					
26	64014 236	SHAFT	1					
27	68013 262	SPRING	1					



PARTS LIST
MODEL : LM5360HXA-PRO

46014-***

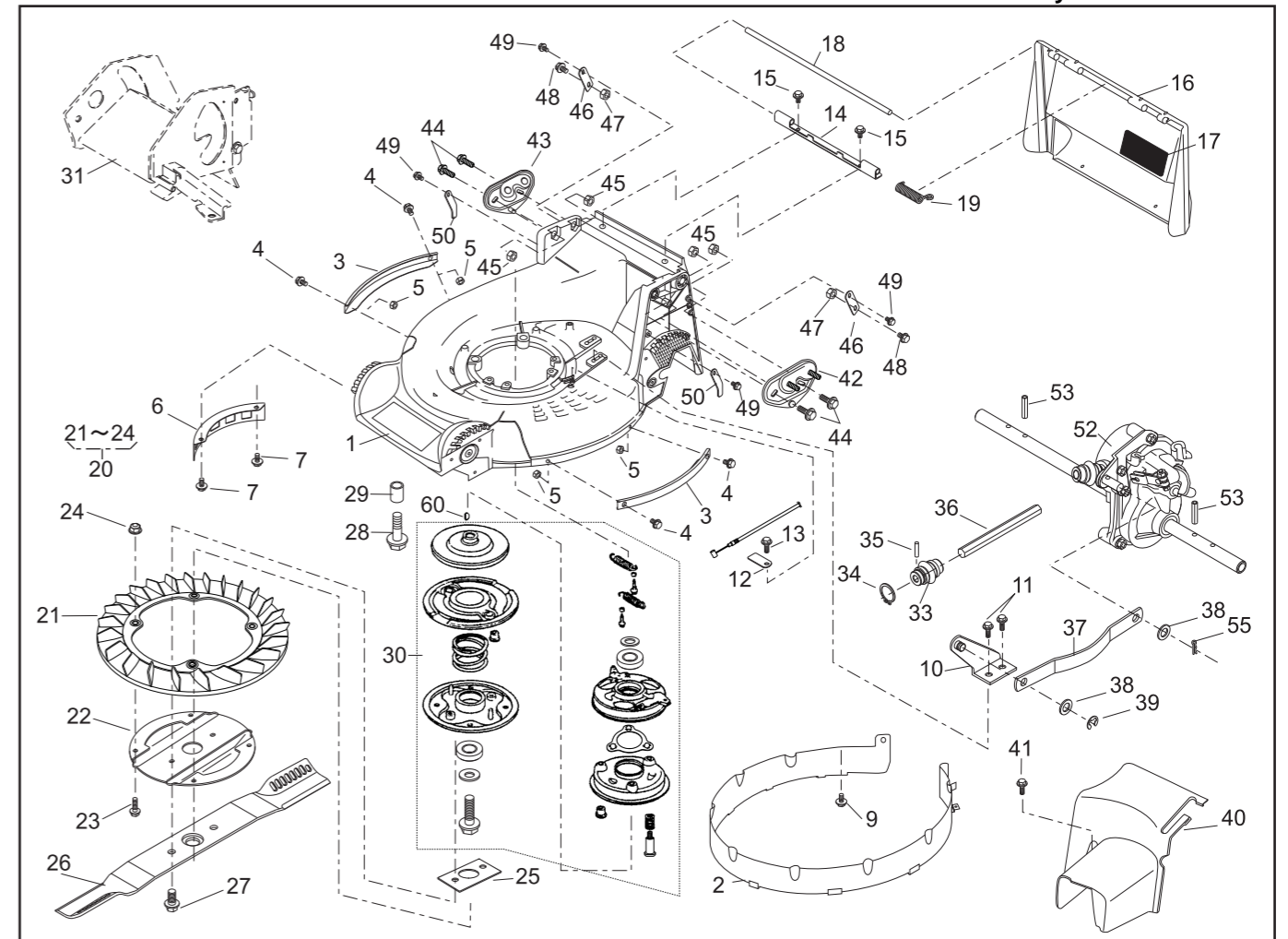
REF. No.	PARTS No.	PARTS NAME	GEAR CASE		PRICE()	2/2	RECOMM.(%) Lot.100	REMARKS
			Q'TY INCLUDING			Mar.31,2004		
28	31034 171	PIN	1					
29	736U 0320	SPRING PIN	1					
30	64014 235	SHAFT	1					
31	61024 118	SPACER	2					
32	78004 156	GEAR	1					
33	78004 155	GEAR	1					
34	64014 344	SHAFT	1					
35	78012 107	GEAR C.P.	1					
36	31034 150	PIN	1					
37	812V 2200	C-SNAP RING FOR SHAFT	1					
38	214B 11000	O-RING	1					
39	11083 201	COLLAR	2					
40	31057 126	HEXAGON BOLT	1					
41	68001 110	FIBER WASHER	1					
42	11006 157	STAY C.P.	1					
43	315L 0625	(+)HEXAGON BOLT(SW,PW)	3					
44	315L 0635	(+)HEXAGON BOLT(SW,PW)	2					
45	318L 0612	(+)HEXAGON BOLT(SW)	1					
46	68007 132	SHIM	0~2					



PARTS LIST

P/L No. 46014-538-00

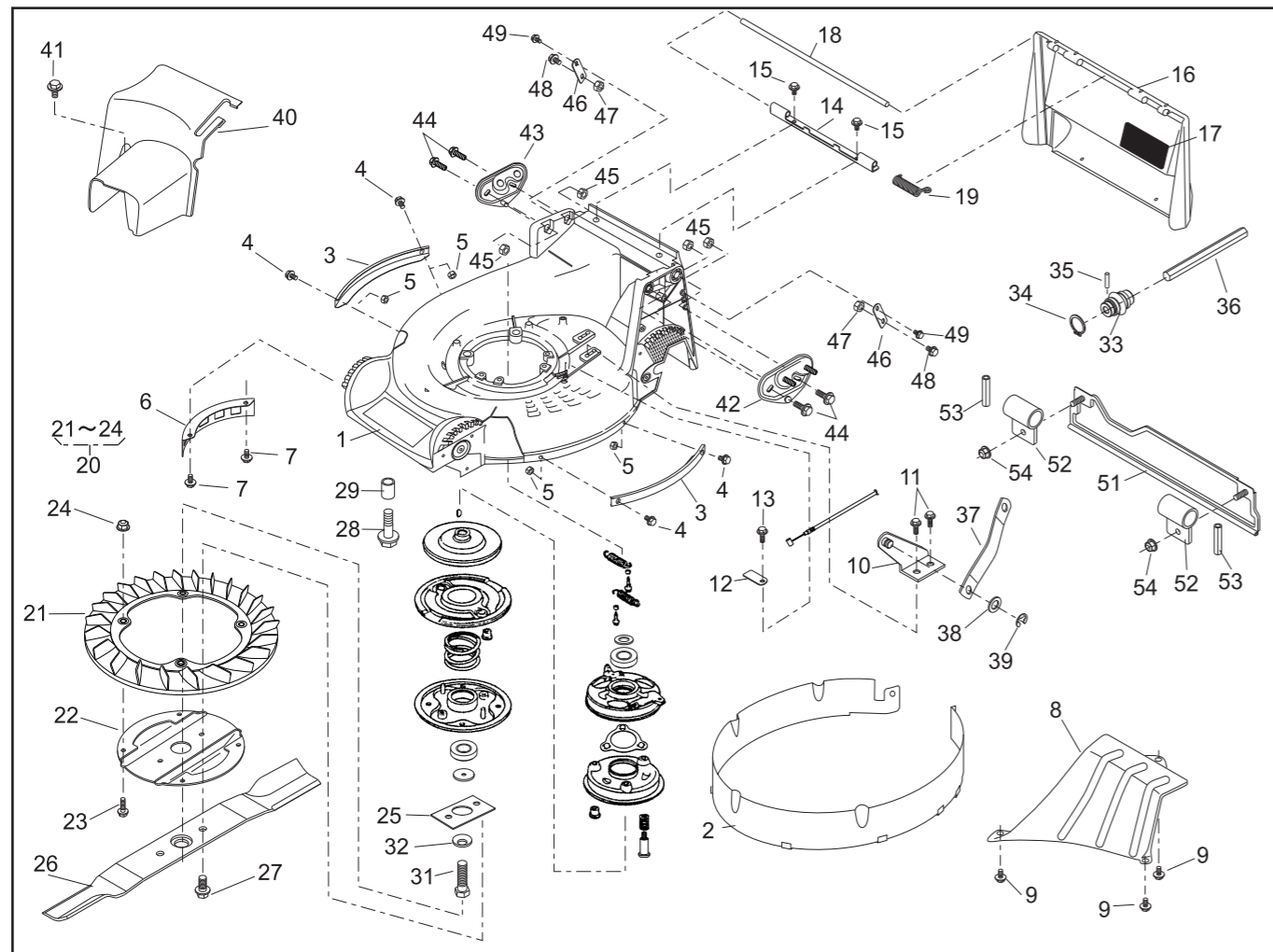
NOTE	REF. No.	PARTS No.	PARTS NAME	GARSS-CUTTING-PRO		1/2	Dec. 25, 2006	REMARKS
				Q'TY INCLUDING	PRICE()			
	1	51043 151 42	HOUSING	1				
	2	36068 204	GUARD	1				
	3	51090 117 09	PROTECTOR	2				
	4	335L 0616	FLANGE BOLT	4				
	5	512L 0600	HEXAGON NUT	4				
	6	36065 180	COVER	1				
	7	342L 0612	FLANGE BOLT TAPPING	2				
	8							
	9	342L 0612	FLANGE BOLT TAPPING	1				
	10	11006 155	STAY C.P.	1				
	11	342L 0612	FLANGE BOLT TAPPING	2				
	12	11113 407	STAY	1				
	13	342L 0612	FLANGE BOLT TAPPING	1				
	14	11113 292	STAY	1				
	15	342L 0612	FLANGE BOLT TAPPING	2				
	16	36068 196 46	GUARD	1				
	17	36080 149	RUBBER SHEET	1				
	18	64014 324	SHAFT	1				
	19	68013 336	SPRING	1				
	20	71082 111	FAN ASSY	1				
	21	51125 103	FAN	1				
	22	11102 151	HOLDER	1				
	23	31062 169	PRE-COAT LOCK BOLT	4				
	24	579L 0600	FLANGE NUT	4				
	25	61024 208	SPACER	1				
	26	91014 188	BLADE	1				
	27	31057 197	HEXAGON BOLT	2				
	28	31057 243	HEXAGON BOLT	4				
	29	61024 142	SPACER	3				
	30	71067 106	BRAKE ASSY	1				



PARTS LIST

P/L No. 49014-538-00

NOTE	REF. No.	PARTS No.	PARTS NAME	GARSS-CUTTING-PRO		2/2	Dec. 25, 2006	REMARKS
				Q'TY INCLUDING	PRICE()			
	31		COVER UNIT (Ref. P/L No. 46012-550-**)					
	32							
	33	91097 101	UNIVERSAL JOINT	1				
	34	812V 2000	C-SNAP RING FOR SHAFT	1				
	35	717B 0418	PARALLEL PIN	1				
	36	64014 339	SHAFT	1				
	37	91049 129	CONNECTOR	1				
	38	68036 280	WASHER	2				
	39	816V 0800	E-SNAP RING	1				
	40	36065 438	COVER	1				
	41	342L 0616	FLANGE BOLT TAPPING	1				
	42	51116 149	HANDLE BRACKET(L)	1				
	43	51116 150	HANDLE BRACKET(R)	1				
	44	31057 255	HEXAGON BOLT	4				
	45	512L 0800	HEXAGON NUT	4				
	46	11113 408	STAY	2				
	47	512L 0800	HEXAGON NUT	2				
	48	31057 181	HEXAGON BOLT	2				
	49	342L 0612	FLANGE BOLT TAPPING	4				
	50	11113 415	STAY	2				
	51							
	52	71008 377	GEAR CASE ASSY	1				
	53	711V 0522	SPRING PIN	2				
	54							
	55	733L 1000	SNAP PIN	1				
	56							
	57							
	58							
	59	122039	ENGINE:HONDA GXV160H2-SFL1-R280	1				
	60		WOOD RUFF KEY	1				

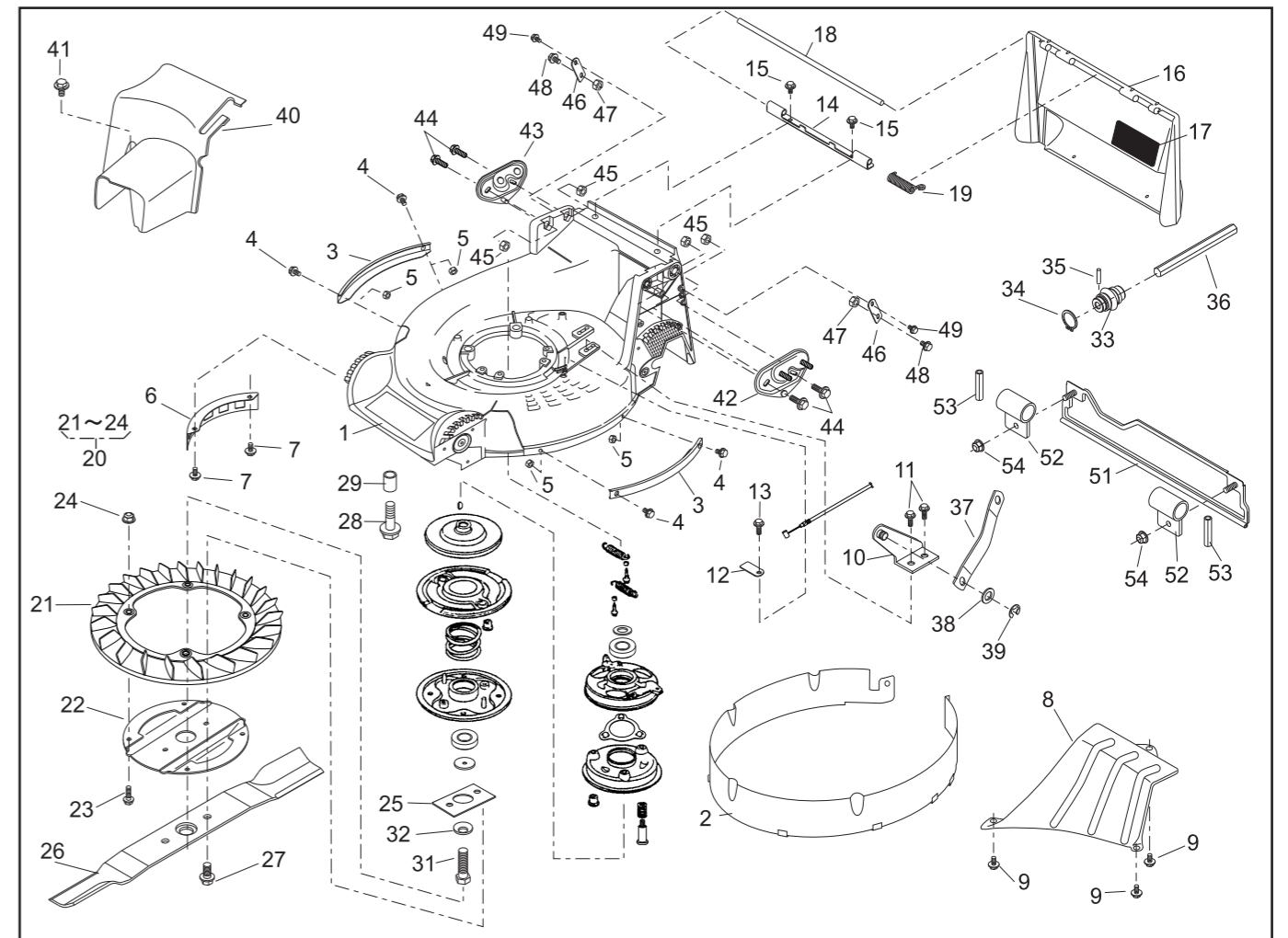


PARTS LIST

MODEL : LM5360HXA-PRO (Serial No. 2000001~2999999)

46014-***

REF. No.	PARTS No.	PARTS NAME	Pro		1/2	Dec.03,2004
			Q'TY INCLUDING	PRICE()	RECOMM.(%) Lot.100	REMARKS
1	51043 147 42	HOUSING	1			
2	36068 197	GUARD	1			
3	51090 117 09	PROTECTOR	2			
4	335L 0616	FLANGE BOLT	4			
5	512L 0600	HEXAGON NUT	4			
6	36065 180	COVER	1			
7	342L 0612	FLANGE BOLT TAPPING	2			
8	36065 436	COVER	1			
9	342L 0612	FLANGE BOLT TAPPING	3			
10	11006 160	STAY C.P.	1			
11	342L 0612	FLANGE BOLT TAPPING	2			
12	11113 407	STAY	1			
13	342L 0612	FLANGE BOLT TAPPING	1			
14	11113 292	STAY	1			
15	342L 0612	FLANGE BOLT TAPPING	2			
16	36068 196 46	GUARD	1			
17	36080 149	RUBBER SHEET	1			
18	64014 324	SHAFT	1			
19	68013 336	SPRING	1			
20	71082 111	FAN ASSY	1			
21	51125 103	FAN	1			
22	11102 151	HOLDER	1			
23	31062 169	PRE-COAT LOCK BOLT	4			
24	579L 0600	FLANGE NUT	4			
25	61024 208	SPACER	1			
26	91014 159 59	BLADE	1			
27	31057 197	HEXAGON BOLT	2			
28	31057 243	HEXAGON BOLT	4			



PARTS LIST

MODEL : LM5360HXA-PRO (Serial No. 2000001~2999999)

46014-***

REF. No.	PARTS No.	PARTS NAME	Pro		2/2	Dec.03,2004
			Q'TY INCLUDING	PRICE()	RECOMM.(%) Lot.100	REMARKS
29	61024 142	SPACER	3			
30	71067 106	BRAKE ASSY	1			
31	31057 196	HEXAGON BOLT	1			
32	671V 1000	CONICAL SPRING WASHER	1			
33	91097 101	UNIVERSAL JOINT	1			
34	812V 2000	C-SNAP RING FOR SHAFT	1			
35	717B 0418	PARALLEL PIN	1			
36	64014 355	SHAFT	1			
37	91049 129	CONNECTOR	1			
38	68036 280	WASHER	1			
39	816V 0800	E-SNAP RING	1			
40	36065 438	COVER	1			
41	342L 0616	FLANGE BOLT TAPPING	1			
42	51116 149	HANDLE BRACKET(L)	1			
43	51116 150	HANDLE BRACKET(R)	1			
44	31057 255	HEXAGON BOLT	4			
45	512L 0800	HEXAGON NUT	4			
46	11113 408	STAY	2			
47	512L 0800	HEXAGON NUT	2			
48	31057 181	HEXAGON BOLT	2			
49	342L 0612	FLANGE BOLT TAPPING	2			
50	71008 377	GEAR CASE ASSY	1			
51	36046 150	SAFETY GUARD	1			
52	11012 126	HANGER BAND	2			
53	711V 0522	SPRING PIN	2			
54	569L 0600	FLANGE NYLON NUT	2			
55						
56	8854	ENGINE:HONDA GXV160	1			