

Kawasaki

— ENGINES —

PARTS CATALOG

4-STROKE AIR-COOLED GASOLINE ENGINE

PRODUCT CODE
FX751V-FS00
FX751V-GS00
FX751V-HS00

PARTS CATALOG INTRODUCTION

This parts catalog lists parts and sub-assemblies provided as service parts. When it becomes necessary to replace parts, always use KAWASAKI GENUINE PARTS which have passed strict inspection which guarantees quality and performance.

1. HOW TO ORDER PARTS

- 1) When ordering the parts, be sure to use the parts catalog corresponding to the product code. Check the product revision codes on the product and the catalog.

Product Code (example) : FA130D-AA00
 Product Revision Code

- 2) Specify the part code (all digits) exactly as listed in this catalog on your parts order.
- 3) The parts not shown in the illustrations of this catalog are not sold separately; only the complete units or next higher assemblies illustrated are supplied as the service parts.

2. EXPLANATION OF PARTS CATALOG FORMAT

1 FJ180V- M24

2 B-08. ELECTRIC-EQUIPMENT

5 E0160-B181B

7 Ref. No. Part No. Description Quantity

Ref. No.	Part No.	Description	Quantity
14091	14091-2141	COVER	1
19073	19073-2241	INSULATOR	1
21169	21169-2077	TERMINAL	1
21171	21171-2267	COIL-ASSY-IGNITION	1
21194	21194-2355	FLYWHEEL-COMP	1
29011	29011-2390	WIRE-LEAD	1
92038	92038-2107	KEY	1
92070	92070-2119	PLUG-SPARK(BPRSES(NGK)	1
92154	92154-2014	BOLT,4X18	1
92154A	92154-2018	BOLT,6X20	2
92154B	92154-2017	BOLT,12X30	1
92200	92200-2183	WASHER,4.5X8X0.5	1
92210	92210-2126	NUT,M4	1

6 ⑥

3 ③

4 ④

1) Product Code

This code describes the product code covered by this catalog. The product revision code, which is a part of the product code, is omitted.

2) Part Group Title

This title is the representative name for the group of parts illustrated on the page.

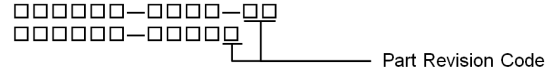
3) Reference Number

The reference numbers are shown on the illustration and the list as the link between them.

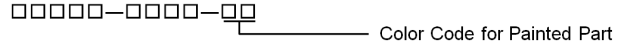
4) Part Number

This is the key of your parts ordering. Three kinds of part number are used in this catalog.

a. Structure 1



b. Structure 2



c. Standard Hardware Number

(for bolts, nuts, washer, or the like)



5) Description and Additional Information

The part name, the location, the size, and the serial number as additional information, etc. are described here. Use them to find out and check the part required.

When a part number is changed without change of the product revision code and the changed parts are not interchangeable, the serial number of the product is noted as follows;

- (- FA130 - 100001) Affected units are from beginning of the product of the product code up to and including this serial number.
- (FA130 - 100002 -) Affected units are from this serial number and above.
- (FA130 - 100002 - FA130 - 110001) Affected units are in this serial number range.

6) Quantity

The figure shows quantity of the part required at the indicated position on the illustration and for the specified product revision code.

The asterisk (*) on this column means the part can be used as the substitute on the product and is supplied until the stock is exhausted.

Note: Some small parts will be supplied by units.

Example: If six (6) bolts are ordered and the minimum quantity per unit is five (5), two (2), units of the bolt will be delivered.

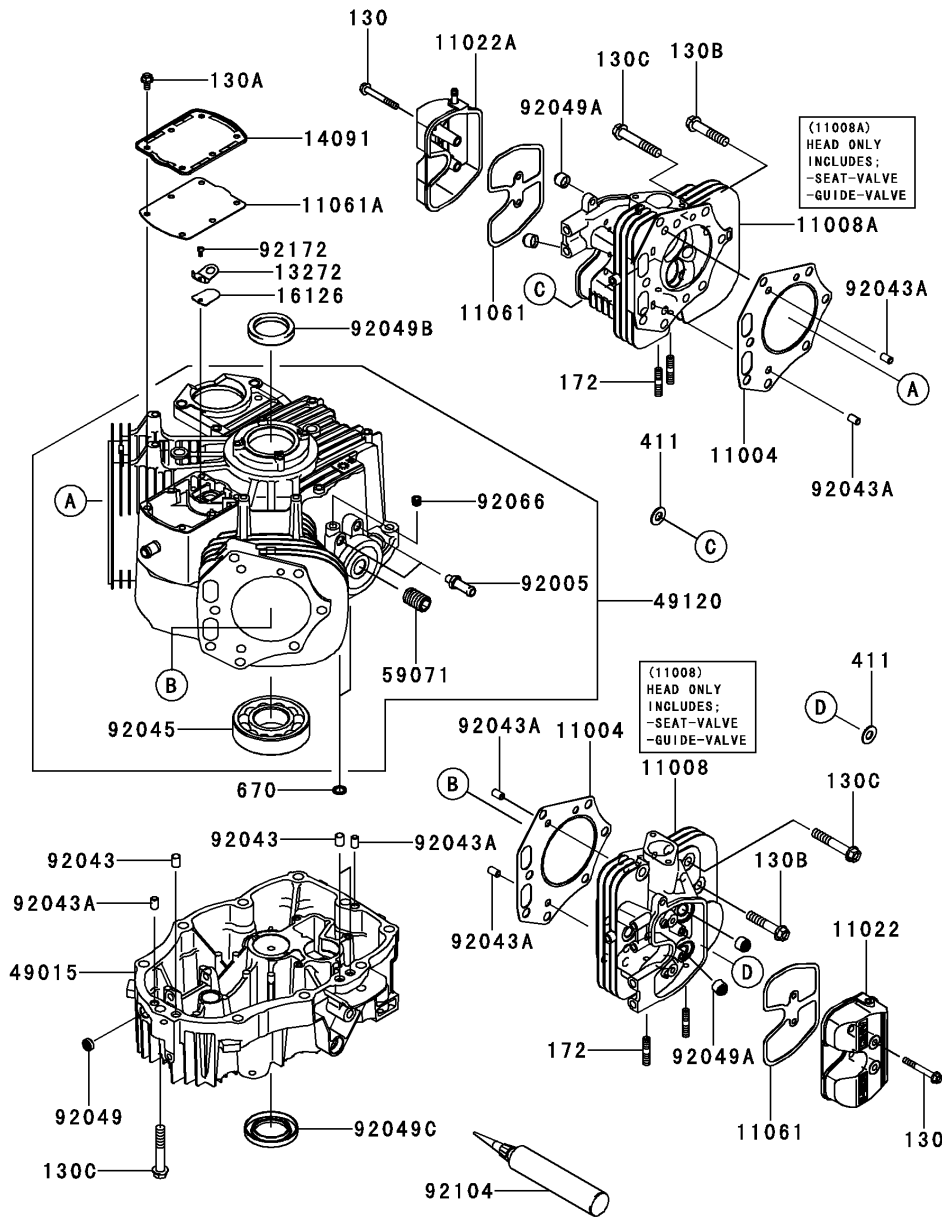
7) Product Revision Code

This Code indicates an important change which affects the service parts interchangeability.

3. ABBREVIATIONS

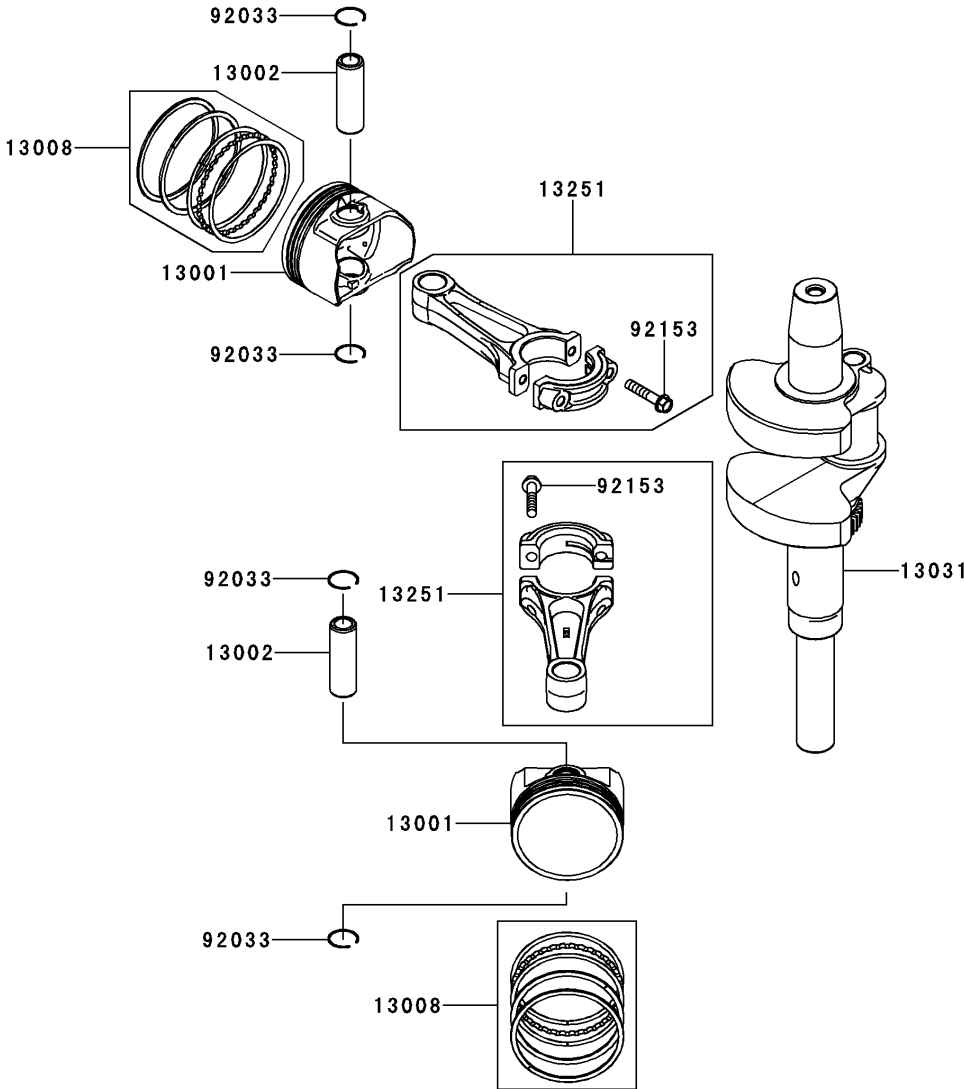
#	Number	FR	Front	RH	Right Hand
&	And	G	Gram	RPM	Revolutions Per Minute
(+)	Plus	HEX	Hexagonal	RR	Rear
(-)	Minus	ID =	Inside Diameter	STD	Standard
2ND	Second	IN	Inch	T	Teeth
3RD	Third	L =	Length	T =	Thickness
4TH	Fourth	LH	Left Hand	U/S	Under Size
A	Ampere	LWR	Lower	UPP	Upper
AR	As Required	MM	Millimeter	V	Volt
ASSY	Assembly	O/S	Over Size	W	Watt
CNT	Center	OD =	Outside Diameter		
COMP	Complete	REF	Reference		

E0110-B002F



1. CYLINDER/CRANKCASE

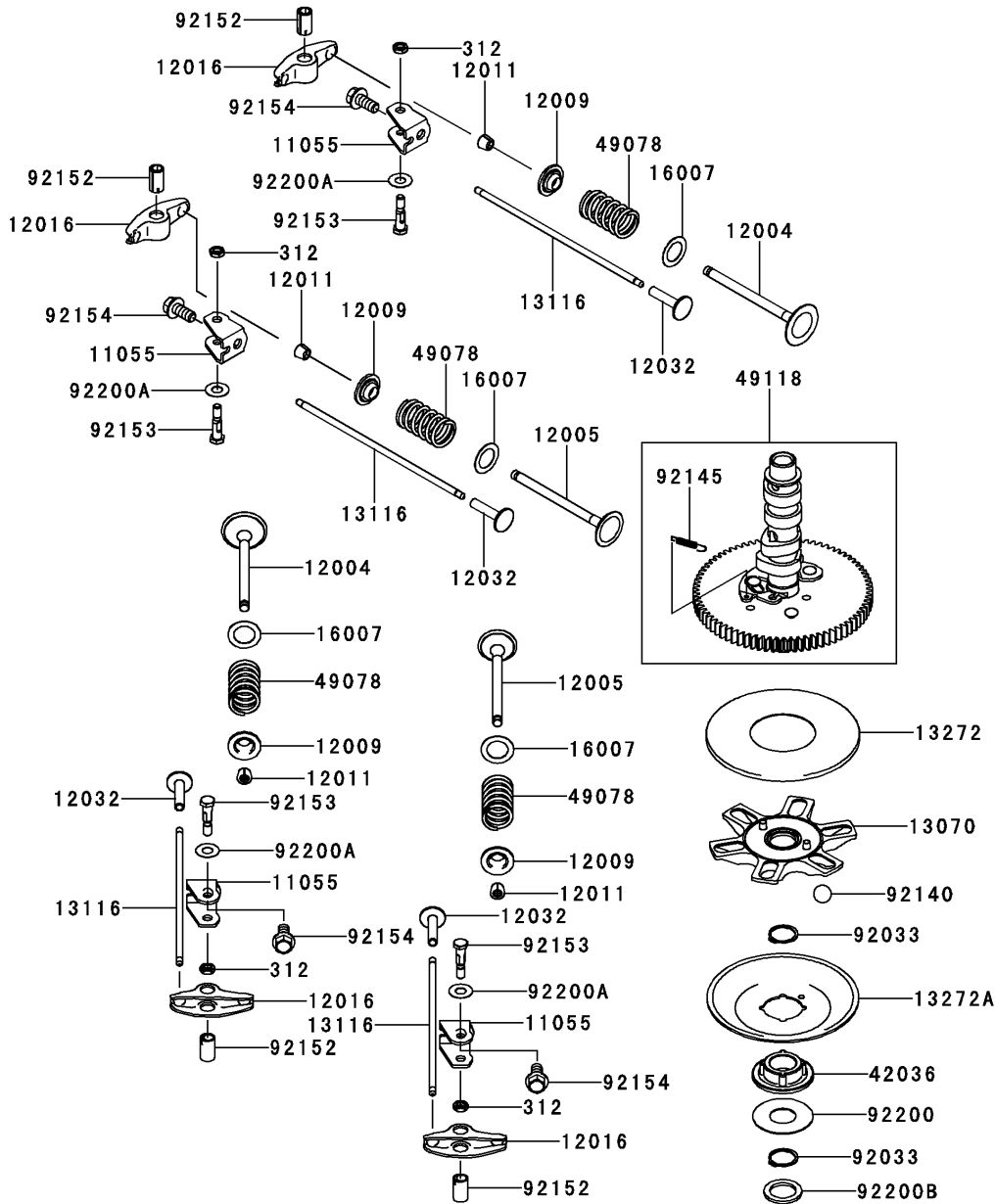
Ref. No.	Part No.	Description	Quantity		
			FS00	GS00	HS00
11004	11004-7025	GASKET-HEAD	2	2	2
11008	11008-0899	HEAD-COMP-CYLINDER,#2	1	1	1
11008A	11008-0901	HEAD-COMP-CYLINDER,#1	1	1	1
11022	11022-0050	CASE-ROCKER	1	1	1
11022A	11022-6012	CASE-ROCKER,#1	1	1	1
11061	11061-0899	GASKET,CASE-ROCKER	2	2	2
11061A	11061-7081	GASKET,BREATHER	1	1	1
13272	13272-1374	PLATE	1	1	1
14091	14091-7060	COVER,BREATHER	1	1	1
16126	16126-7020	VALVE,BREATHER	1	1	1
49015	49015-0046	COVER-CRANKCASE	1	1	1
49120	49120-0843	CRANKCASE-COMP	1	1	1
59071	59071-0733	JOINT	1	1	1
92005	92005-0771	FITTING	2	2	2
92043	92043-0858	PIN	3	3	3
92043A	92043-1263	PIN,6.2X8X14	6	6	6
92045	92045-0712	BEARING-BALL,6308	1	1	1
92049	92049-7019	SEAL-OIL,SO 8X14X5 HS	1	1	1
92049A	92049-7020	SEAL-OIL,7X15X13	4	4	4
92049B	92049-7024	SEAL-OIL,SD 40X54X9 R HS	1	1	1
92049C	92049-7026	SEAL-OIL,SD 40X62X8 L VS	1	1	1
92066	92066-0881	PLUG	1	1	1
92104	92104-0007	GASKET-LIQUID,TB1217H	AR	AR	AR
92172	92172-0870	SCREW,4X8	1	1	1
130	130BA0650	BOLT-FLANGED,6X50	4	4	4
130A	130CA0612	BOLT-FLANGED,6X12	6	6	6
130B	130CA1050	BOLT-FLANGED,10X50	2	2	2
130C	130CA1060	BOLT-FLANGED,10X60	20	20	20
172	172BA0822	BOLT-STUD,8X22	4	4	4
411	411AA1000	WASHER-PLAIN,10MM	2	2	2
670	670B2011	O RING,11MM	2	2	2



2. PISTON/CRANKSHAFT

Ref. No.	Part No.	Description	Quantity		
			FS00	GS00	HS00
13001	13001-7025	PISTON-ENGINE	2	2	2
13002	13002-7005	PIN-PISTON	2	2	2
13008	13008-6069	RING-SET-PISTON	2	2	2
13031	13031-0854	CRANKSHAFT-COMP	1	1	1
13251	13251-0736	ROD-ASSY-CONNECTING	2	2	2
92033	92033-0724	RING-SNAP	4	4	4
92153	92153-2054	BOLT,7X35.2	4	4	4

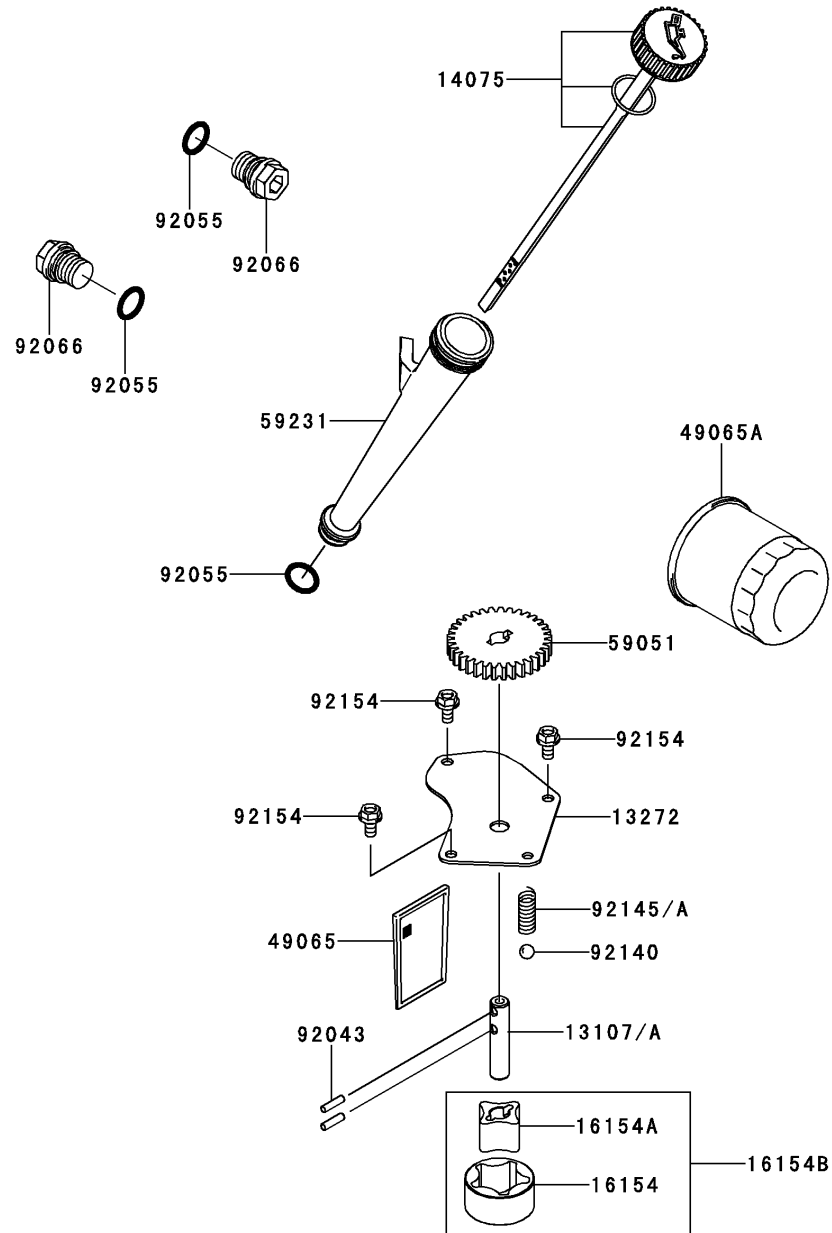
E0130-A226B



3. VALVE/CAMSHAFT

Ref. No.	Part No.	Description	Quantity		
			FS00	GS00	HS00
11055	11055-7009	BRACKET	4	4	4
12004	12004-0746	VALVE-INTAKE	2	2	2
12005	12005-0795	VALVE-EXHAUST	2	2	2
12009	12009-7004	RETAINER-VALVE SPRING	4	4	4
12011	12011-2052	COLLET	8	8	8
12016	12016-0048	ARM-ROCKER	4	4	4
12032	12032-7001	TAPPET	4	4	4
13070	13070-0758	GUIDE	1	1	1
13116	13116-7006	ROD-PUSH	4	4	4
13272	13272-7002	PLATE	1	1	1
13272A	13272-7003	PLATE,GOVERNOR	1	1	1
16007	16007-0709	SEAT-SPRING	4	4	4
42036	42036-7019	SLEEVE	1	1	1
49078	49078-7008	SPRING-ENGINE VALVE	4	4	4
49118	49118-7026	CAMSHAFT-COMP	1	1	1
92033	92033-0728	RING-SNAP	2	2	2
92140	92140-7005	BALL	6	6	6
92145	92145-1653	SPRING	1	1	1
92152	92152-1689	COLLAR	4	4	4
92153	92153-7100	BOLT,6X29.5	4	4	4
92154	92154-1267	BOLT,8X18.2	4	4	4
92200	92200-0946	WASHER,20X46X0.91	1	1	1
92200A	92200-2151	WASHER,8.1X18X0.5	4	4	4
92200B	92200-7044	WASHER,20.3X29X2.28	1	1	1
312	312AA0600	NUT-HEX,6MM	4	4	4

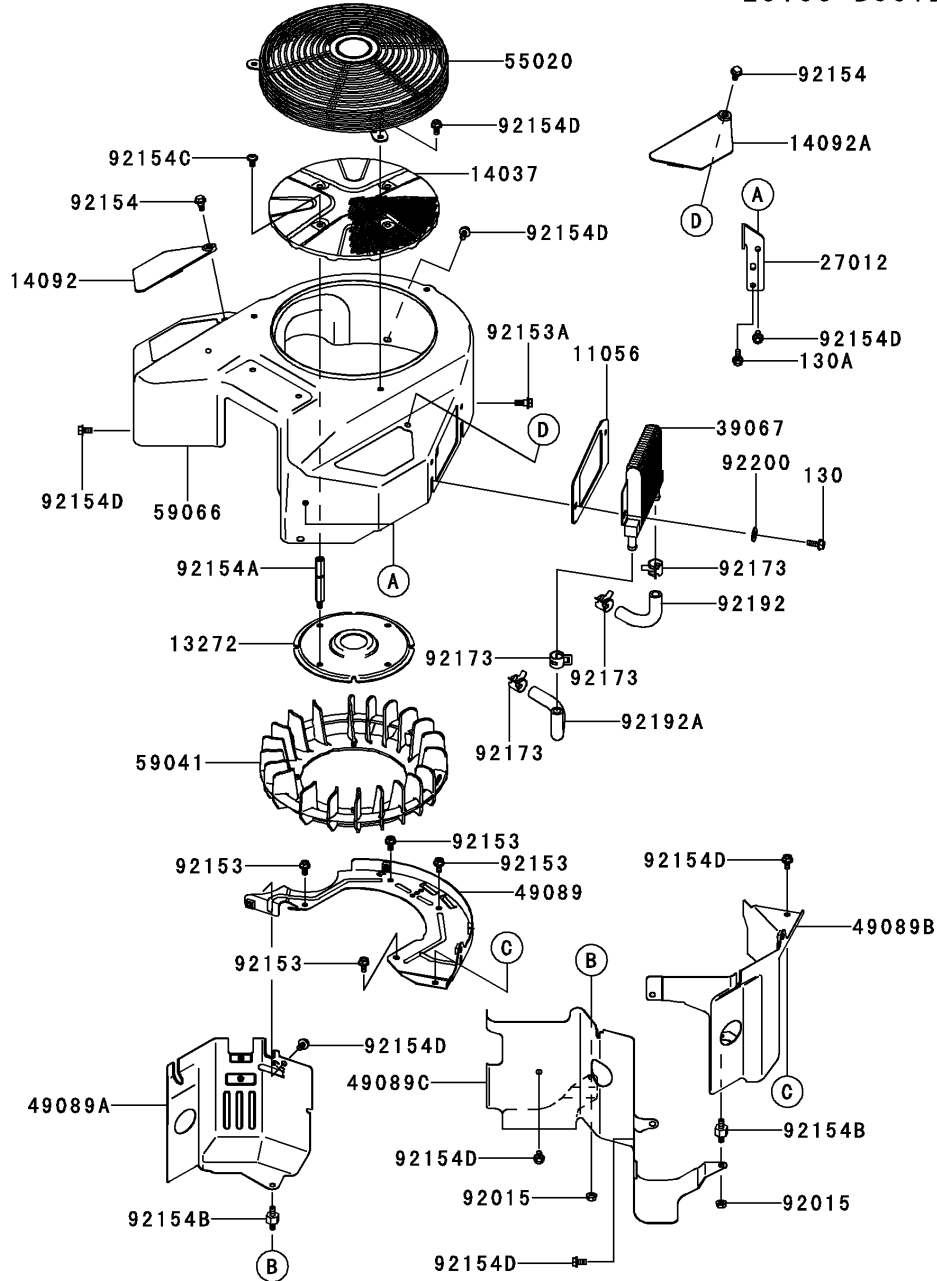
E0140-A610D



4. LUBRICATION-EQUIPMENT

Ref. No.	Part No.	Description	Quantity		
			FS00	GS00	HS00
13107	13107-0846	SHAFT,OIL PUMP		1	1
13107A	13107-0858	SHAFT,OIL PUMP	1		
13272	13272-2287	PLATE,OIL PUMP	1	1	1
14075	14075-0049	CAP-ASSY	1	1	1
16154	16154-1075	ROTOR-PUMP,OUTER	1	1	1
16154A	16154-1076	ROTOR-PUMP,INNER	1	1	1
16154B	16154-1079	ROTOR-PUMP	1	1	1
49065	49065-7004	FILTER-OIL	1	1	1
49065A	49065-7010	FILTER-OIL	1	1	1
59051	59051-7011	GEAR-SPUR	1	1	1
59231	59231-7014	FILLER	1	1	1
92043	92043-7003	PIN	2	2	2
92055	92055-0892	RING-O,15.8X2.4	3	3	3
92066	92066-0774	PLUG	2	2	2
92140	92140-7003	BALL,STEEL,13/32	1	1	1
92145	92145-1658	SPRING		1	1
92145A	92145-1809	SPRING,OIL RELIEF	1		
92154	92154-2938	BOLT,6X12	3	3	3

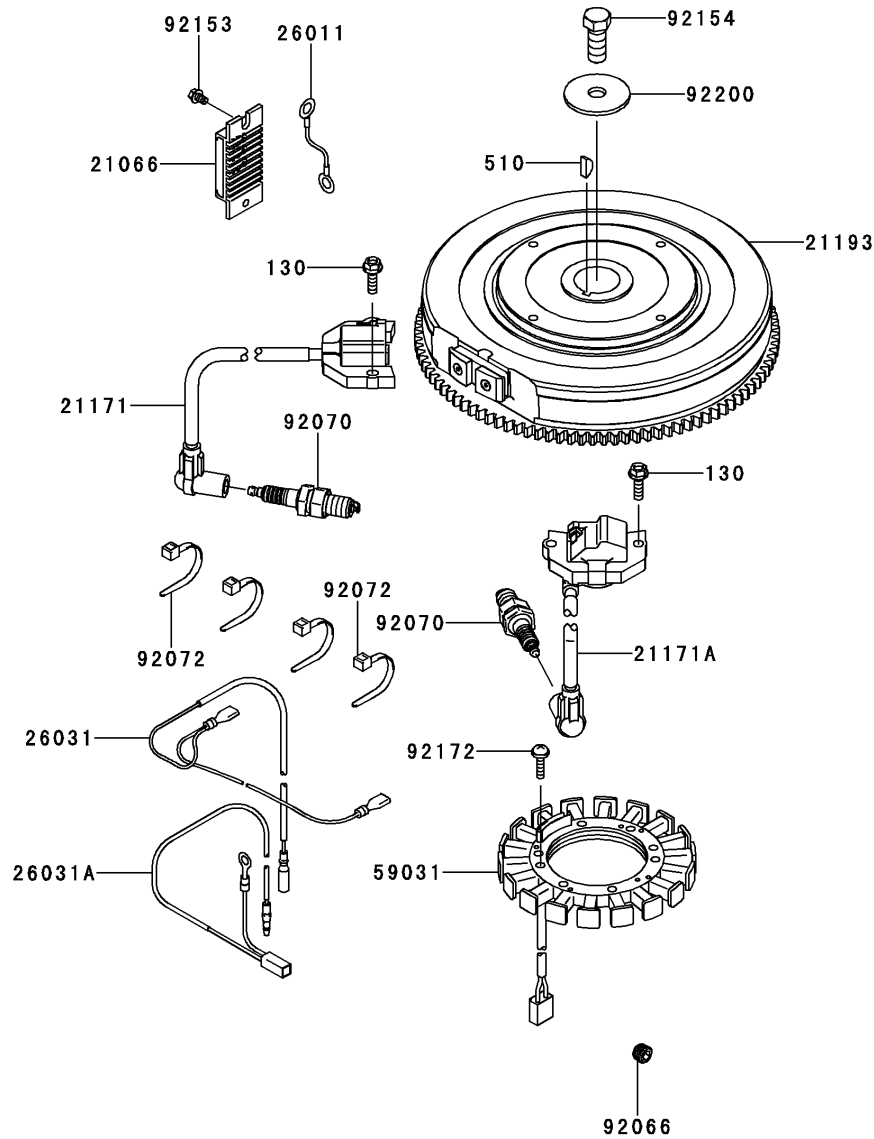
E0150-B361B



5. COOLING-EQUIPMENT

Ref. No.	Part No.	Description	Quantity		
			FS00	GS00	HS00
11056	11056-7280	BRACKET	1	1	1
13272	13272-1486	PLATE,FAN	1	1	1
14037	14037-0802	SCREEN	1	1	1
14092	14092-1039	COVER	1	1	1
14092A	14092-1040	COVER	1	1	1
27012	27012-7009	HOOK,LIFT	1	1	1
39067	39067-0018	COOLER-OIL	1	1	1
49089	49089-0866	SHROUD-ENGINE,BACK	1	1	1
49089A	49089-0873	SHROUD-ENGINE,#1	1	1	1
49089B	49089-0899	SHROUD-ENGINE,#2	1	1	1
49089C	49089-7067-753	SHROUD-ENGINE,V-BANK	1	1	1
55020	55020-7016-9H	GUARD	1	1	1
59041	59041-7019	FAN	1	1	1
59066	59066-0740	HOUSING-FAN	1	1	1
92015	92015-1367	NUT,FLANGED,6MM	2	2	2
92153	92153-0010	BOLT,FLANGED,6X12	4	4	4
92153A	92153-7007	BOLT,FLANGED,6X16	1	1	1
92154	92154-1119	BOLT	2	2	2
92154A	92154-1151	BOLT	4	4	4
92154B	92154-1662	BOLT	2	2	2
92154C	92154-2687	BOLT,6X12	4	4	4
92154D	92154-2938	BOLT,6X12	10	10	10
92173	92173-1619	CLAMP	4	4	4
92192	92192-1448	TUBE	1	1	1
92192A	92192-1449	TUBE	1	1	1
92200	92200-2035	WASHER,6.5X18X2.0	2	2	2
130	130BA0616	BOLT-FLANGED,6X16	2	2	2
130A	130BA0620	BOLT-FLANGED,6X20	1	1	1

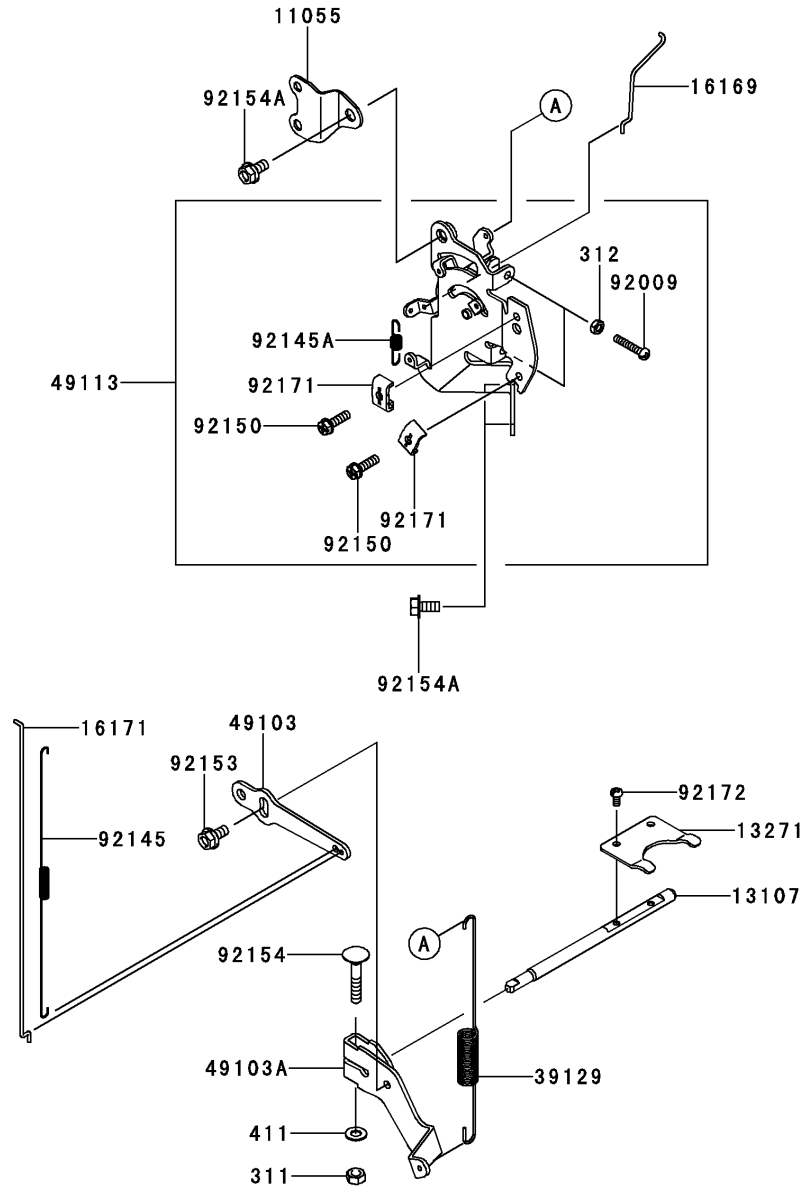
E0160-B802A



6. ELECTRIC-EQUIPMENT

Ref. No.	Part No.	Description	Quantity		
			FS00	GS00	HS00
21066	21066-0740	REGULATOR-VOLTAGE	1	1	1
21171	21171-0743	COIL-ASSY-IGNITION	1	1	1
21171A	21171-0744	COIL-ASSY-IGNITION	1	1	1
21193	21193-0015	FLYWHEEL-ASSY	1	1	1
26011	26011-2234	WIRE-LEAD	1	1	1
26031	26031-7033	HARNESS	1	1	1
26031A	26031-7034	HARNESS	1	1	1
59031	59031-7017	COIL-CHARGING	1	1	1
92066	92066-0881	PLUG	1	1	1
92070	92070-7004	PLUG-SPARK,BPR4ES(NGK),SOLID	2	2	2
92072	92072-7003	BAND	4	4	4
92153	92153-7029	BOLT	2	2	2
92154	92154-7003	BOLT,12X30	1	1	1
92172	92172-7018	SCREW,5X20	4	4	4
92200	92200-7040	WASHER,12.2X46X3	1	1	1
130	130BA0620	BOLT-FLANGED,6X20	4	4	4
510	510A5100	KEY-WOODRUFF	1	1	1

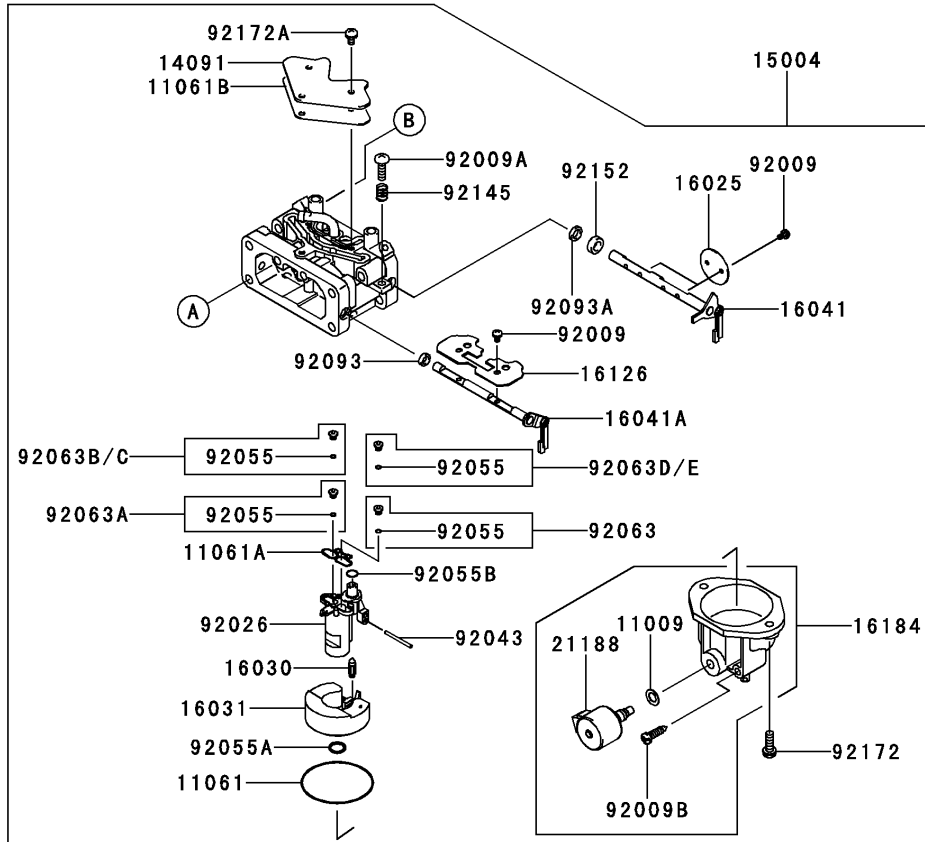
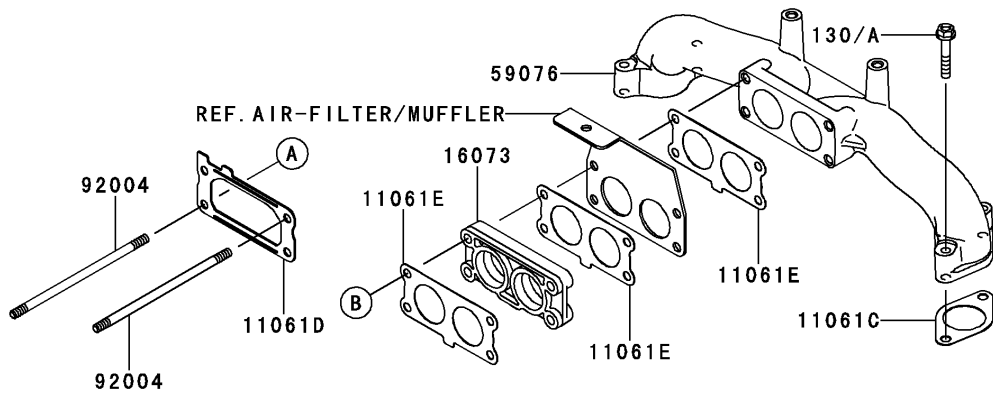
E0170-A764J



7. CONTROL-EQUIPMENT

Ref. No.	Part No.	Description	Quantity		
			FS00	GS00	HS00
11055	11055-7001	BRACKET	1	1	1
13107	13107-7047	SHAFT,GOVERNOR	1	1	1
13271	13271-7038	PLATE	1	1	1
16169	16169-0007	LINK-CHOKE	1	1	1
16171	16171-0032	LINK	1	1	1
39129	39129-0008	SPRING-GOVERNOR	1	1	1
49103	49103-7012	ARM-GOVERNOR	1	1	1
49103A	49103-7018	ARM-GOVERNOR	1	1	1
49113	49113-0007	PANEL-COMP-CONTROL	1	1	1
92009	92009-2381	SCREW,5X30	2	2	2
92145	92145-1647	SPRING	1	1	1
92145A	92145-7044	SPRING	1	1	1
92150	92150-2182	BOLT,5X18	2	2	2
92153	92153-0009	BOLT,6X12	1	1	1
92154	92154-2697	BOLT,6X35	1	1	1
92154A	92154-2938	BOLT,6X12	3	3	3
92171	92171-7018	CLAMP	2	2	2
92172	92172-7033	SCREW,4X8	2	2	2
311	311AA0600	NUT-HEX,6MM	1	1	1
312	312AA0500	NUT-HEX,5MM	2	2	2
411	411AA0600	WASHER-PLAIN,6MM	1	1	1

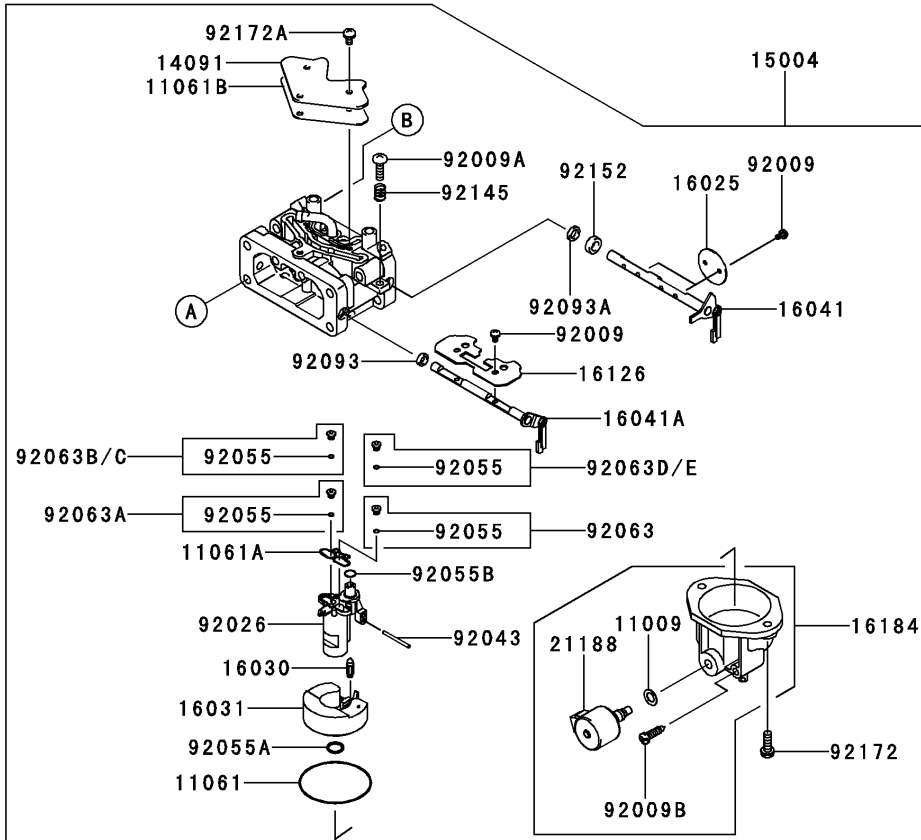
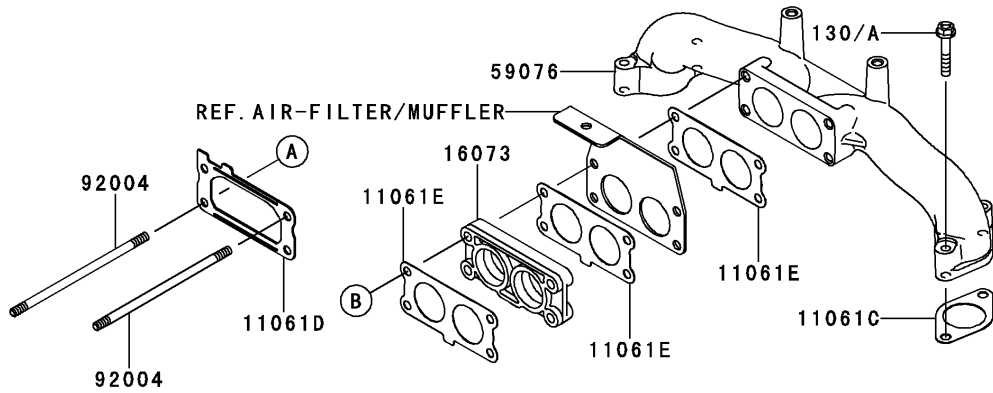
E0180-B117H



8. CARBURETOR

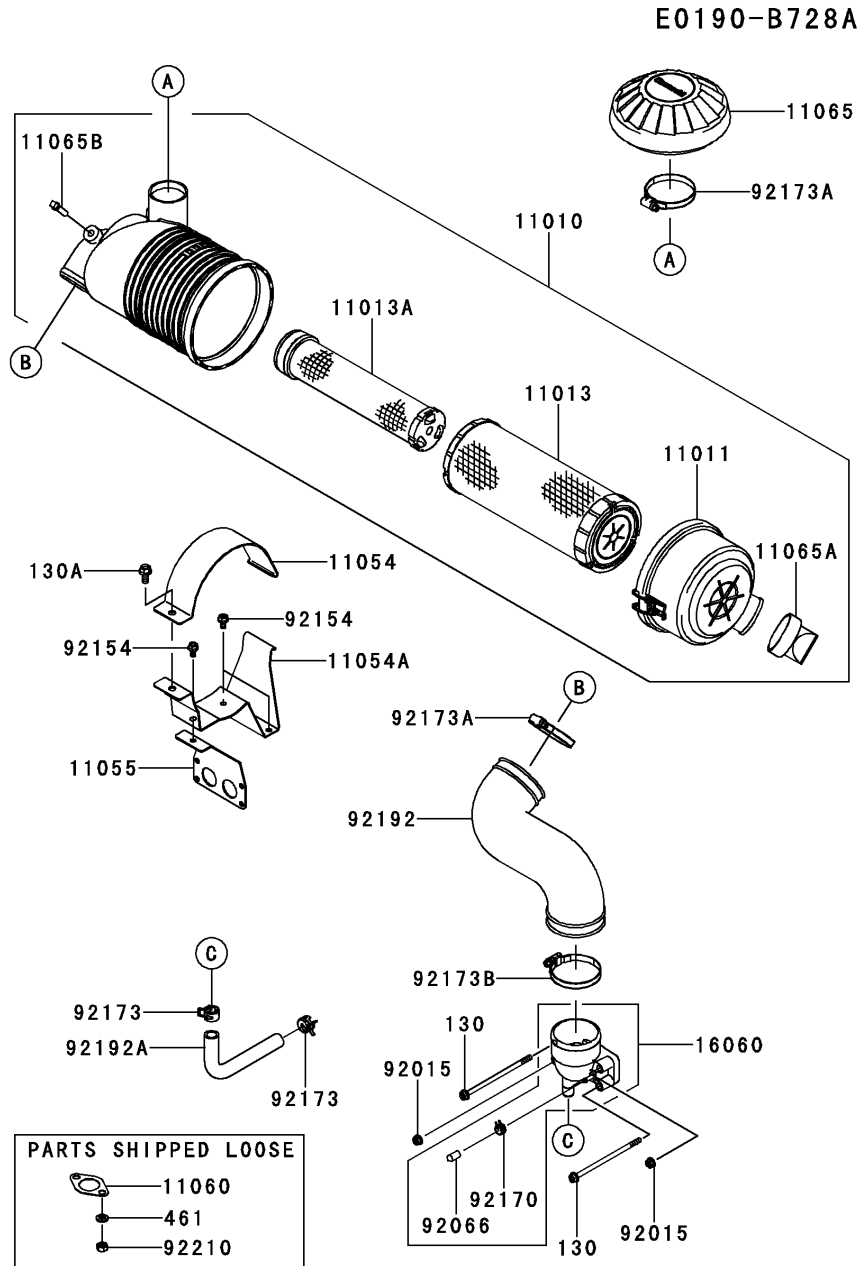
Ref. No.	Part No.	Description	Quantity		
			FS00	GS00	HS00
11009	11009-2056	GASKET,SCREW-CARBURETOR	1	1	1
11061	11061-1286	GASKET,FLOAT CHAMBER	1	1	1
11061A	11061-7037	GASKET,CARB SPACER	1	1	1
11061B	11061-7039	GASKET	1	1	1
11061C	11061-7070	GASKET,HEAD/MANIFOLD	2	2	2
11061D	11061-7091	GASKET,CARBURETOR/PIPE	1	1	1
11061E	11061-7092	GASKET,CARBURETOR/MANIFOLD	3	3	3
14091	14091-7031	COVER	1	1	1
15004	15004-1016	CARBURETOR-ASSY	1	1	1
16025	16025-7010	VALVE-THROTTLE	2	2	2
16030	16030-7004	VALVE-FLOAT	1	1	1
16031	16031-7003	FLOAT	1	1	1
16041	16041-0039	SHAFT-CARBURETOR,THROTTLE	1	1	1
16041A	16041-0041	SHAFT-CARBURETOR,CHOKE	1	1	1
16073	16073-7011	INSULATOR	1	1	1
16126	16126-7021	VALVE	1	1	1
16184	16184-7023	CHAMBER-ASSY-FLOAT	1	1	1
21188	21188-7003	SOLENOID	1	1	1
59076	59076-7013	MANIFOLD-INTAKE	1	1	1
92004	92004-7028	STUD,6X120	2	2	2
92009	92009-7003	SCREW	6	6	6
92009A	92009-7004	SCREW	1	1	1
92009B	92009-7006	SCREW,DRAIN	1	1	1
92026	92026-7024	SPACER	1	1	1
92043	92043-7016	PIN,FLOAT	1	1	1
92055	92055-7013	RING-O	6	6	6
92055A	92055-7016	RING-O	1	1	1
92055B	92055-7024	RING-O	1	1	1
92063	92063-7106	JET-MAIN,#124	1	1	1
92063A	92063-7110	JET-MAIN,#118	1	1	1
92063B	92063-7135	JET-MAIN,#115 (OPTION)	1	1	1
92063C	92063-7136	JET-MAIN,#112 (OPTION)	1	1	1
92063D	92063-7137	JET-MAIN,#117 (OPTION)	1	1	1
92063E	92063-7138	JET-MAIN,#114 (OPTION)	1	1	1
92093	92093-0720	SEAL,D=5.9	1	1	1
92093A	92093-7002	SEAL,D=6.9	1	1	1

E0180-B117H



8-1. CARBURETOR

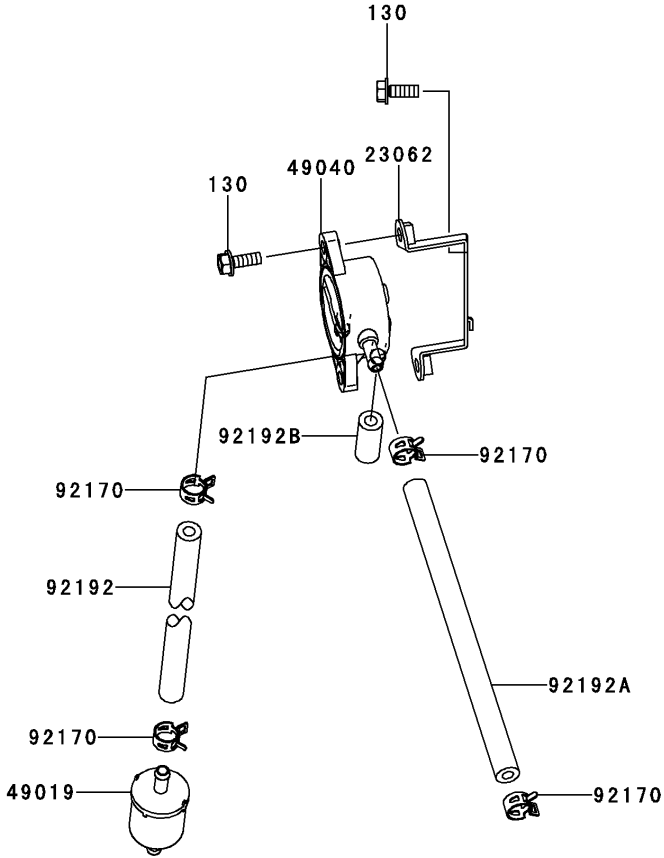
Ref. No.	Part No.	Description	Quantity		
			FS00	GS00	HS00
92145	92145-7010	SPRING	1	1	1
92152	92152-7005	COLLAR	1	1	1
92172	92172-7005	SCREW,M5	2	2	2
92172A	92172-7006	SCREW,M4	3	3	3
130	130AA0635	BOLT-FLANGED,6X35	4		
130A	130BA0635	BOLT-FLANGED,6X35		4	4



9. AIR-FILTER/MUFFLER

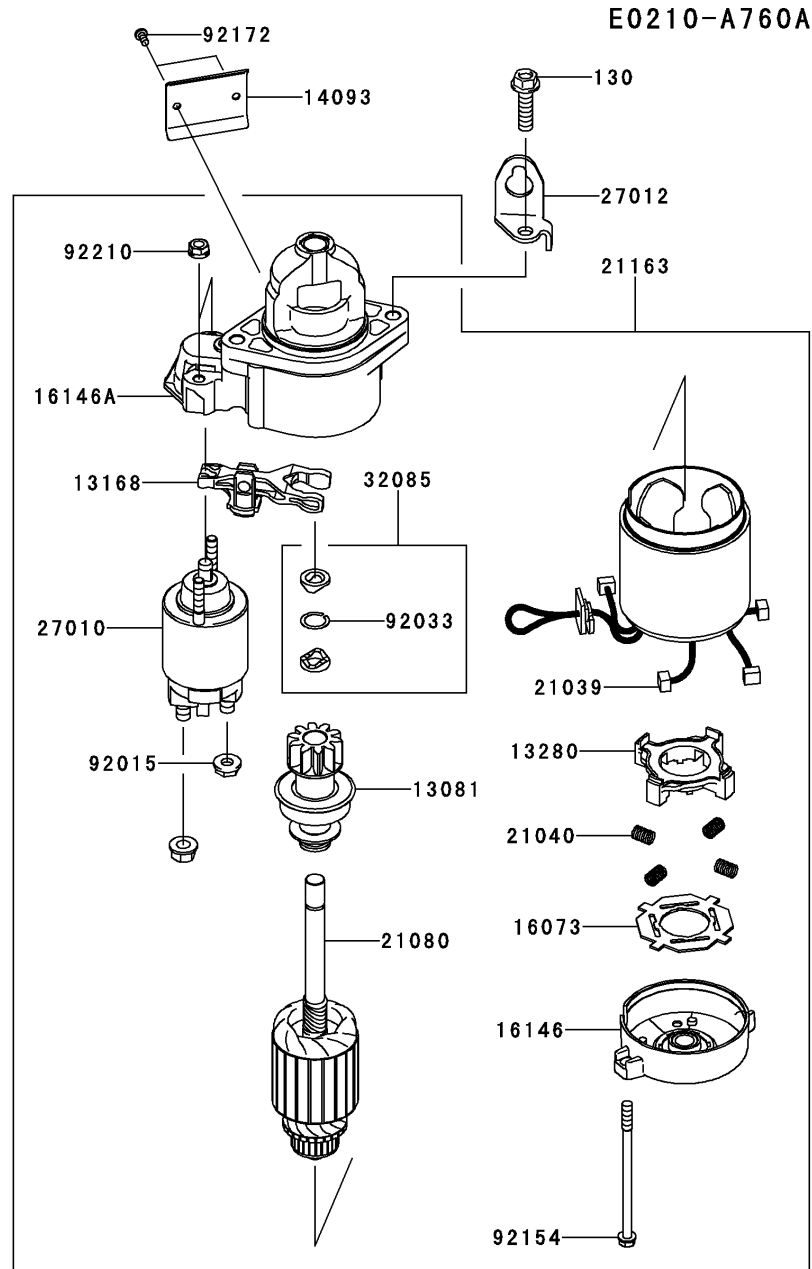
Ref. No.	Part No.	Description	Quantity		
			FS00	GS00	HS00
11010	11010-7028	FILTER-ASSY-AIR	1	1	1
11011	11011-7056	CASE-AIR FILTER	1	1	1
11013	11013-7044	ELEMENT-AIR FILTER	1	1	1
11013A	11013-7045	ELEMENT-AIR FILTER	1	1	1
11054	11054-7013-9X	BRACKET	1	1	1
11054A	11054-7016-9X	BRACKET	1	1	1
11055	11055-7007-9X	BRACKET	1	1	1
11060	11060-7016	GASKET,MUFFLER	2	2	2
11065	11065-7025	CAP	1	1	1
11065A	11065-7031	CAP	1	1	1
11065B	11065-7032	CAP	1	1	1
16060	16060-0771	PIPE-INTAKE	1	1	1
92015	92015-1367	NUT,FLANGED,6MM	2	2	2
92066	92066-0095	PLUG	1	1	1
92154	92154-2938	BOLT,6X12	3	3	3
92170	92170-2042	CLAMP	1	1	1
92173	92173-7003	CLAMP	2	2	2
92173A	92173-7010	CLAMP	2	2	2
92173B	92173-7011	CLAMP	1	1	1
92192	92192-1911	TUBE,AIR-FILTER	1	1	1
92192A	92192-7086	TUBE,12.6X18.6X124.6	1	1	1
92210	92210-7027	NUT,M8	4	4	4
130	130AA06120	BOLT-FLANGED,6X120	2	2	2
130A	130BA0816	BOLT-FLANGED,8X16	1	1	1
461	461DA0800	WASHER-SPRING,8MM	4	4	4

E0200-A886C



10. FUEL-TANK/FUEL-VALVE

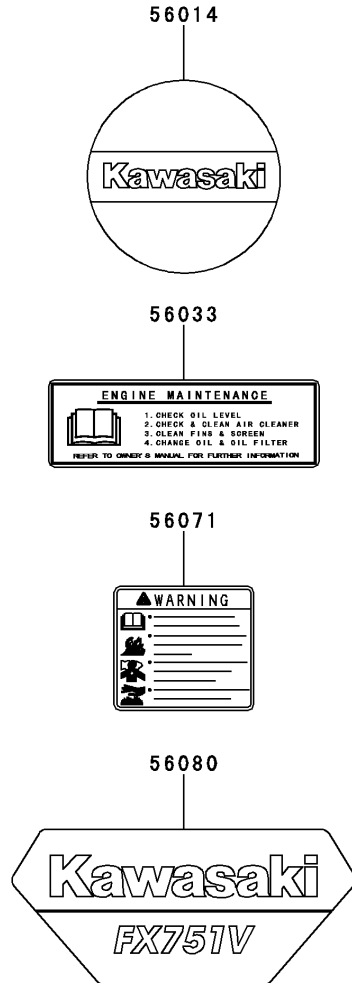
Ref. No.	Part No.	Description	Quantity		
			FS00	GS00	HS00
23062	23062-7018	BRACKET-COMP	1	1	1
49019	49019-0027	FILTER-FUEL	1	1	1
49040	49040-0769	PUMP-FUEL	1	1	1
92170	92170-2009	CLAMP	4	4	4
92192	92192-1547	TUBE,6.35X12.7X140	1	1	1
92192A	92192-1552	TUBE,6.35X12.7X195	1	1	1
92192B	92192-7088	TUBE,6.4X12.7X28.5	1	1	1
130	130BA0616	BOLT-FLANGED,6X16	3	3	3



11. STARTER

Ref. No.	Part No.	Description	Quantity		
			FS00	GS00	HS00
13081	13081-0651	CLUTCH-ASSY,STARTER-ELECTRIC	1	1	1
13168	13168-0847	LEVER,PINION DRIVE	1	1	1
13280	13280-0873	HOLDER,BRUSH	1	1	1
14093	14093-0456	COVER	1	1	1
16073	16073-0854	INSULATOR	1	1	1
16146	16146-0796	COVER-ASSY,COMMUTATOR END	1	1	1
16146A	16146-0802	COVER-ASSY,STARTER DRIVE	1	1	1
21039	21039-0011	BRUSH,STARTER-ELECTRIC	4	4	4
21040	21040-0005	SPRING-BRUSH	4	4	4
21080	21080-0011	ARMATURE,STARTER-ELECTRIC	1	1	1
21163	21163-0755	STARTER-ELECTRIC	1	1	1
27010	27010-0843	SWITCH,MAGNET	1	1	1
27012	27012-7005	HOOK,LIFT	1	1	1
32085	32085-0797	STOPPER,PINION	1	1	1
92015	92015-2147	NUT	1	1	1
92033	92033-0777	RING-SNAP	1	1	1
92154	92154-2116	BOLT	2	2	2
92172	92172-0870	SCREW,4X8	2	2	2
92210	92210-1493	NUT	2	2	2
130	130BA0840	BOLT-FLANGED,8X40	2	2	2

F0290-C077A



12. LABEL

Ref. No.	Part No.	Description	Quantity		
			FS00	GS00	HS00
56014	56014-0005	EMBLEM	1	1	1
56033	56033-7001	LABEL-MANUAL	1	1	1
56071	56071-0216	LABEL-WARNING	1	1	1
56080	56080-0857	LABEL-BRAND	2	2	2

FX751V- FS00/GS00/HS00

NUMERICAL PARTS INDEX

Part No.	Fig No.	Part No.	Fig No.	Part No.	Fig No.	Part No.	Fig No.	Part No.	Fig No.	Part No.	Fig No.
11004-7025	1	130CA0612	1	21171-0744	6	92005-0771	1	92152-7005	8-1		
11008-0899	1	130CA1050	1	21188-7003	8	92009-2381	7	92153-0009	7		
11008-0901	1	130CA1060	1	21193-0015	6	92009-7003	8	92153-0010	5		
11009-2056	8	13107-0846	4	23062-7018	10	92009-7004	8	92153-2054	2		
11010-7028	9	13107-0858	4	26011-2234	6	92009-7006	8	92153-7007	5		
11011-7056	9	13107-7047	7	26031-7033	6	92015-1367	5	92153-7029	6		
11013-7044	9	13116-7006	3	26031-7034	6	92015-1367	9	92153-7100	3		
11013-7045	9	13168-0847	11	27010-0843	11	92015-2147	11	92154-1119	5		
11022-0050	1	13251-0736	2	27012-7005	11	92026-7024	8	92154-1151	5		
11022-6012	1	13271-7038	7	27012-7009	5	92033-0724	2	92154-1267	3		
11054-7013-9X	9	13272-1374	1	311AA0600	7	92033-0728	3	92154-1662	5		
11054-7016-9X	9	13272-1486	5	312AA0500	7	92033-0777	11	92154-2116	11		
11055-7001	7	13272-2287	4	312AA0600	3	92043-0858	1	92154-2687	5		
11055-7007-9X	9	13272-7002	3	32085-0797	11	92043-1263	1	92154-2697	7		
11055-7009	3	13272-7003	3	39067-0018	5	92043-7003	4	92154-2938	4		
11056-7280	5	13280-0873	11	39129-0008	7	92043-7016	8	92154-2938	5		
11060-7016	9	14037-0802	5	411AA0600	7	92045-0712	1	92154-2938	7		
11061-0899	1	14075-0049	4	411AA1000	1	92049-7019	1	92154-2938	9		
11061-1286	8	14091-7031	8	42036-7019	3	92049-7020	1	92154-7003	6		
11061-7037	8	14091-7060	1	461DA0800	9	92049-7024	1	92170-2009	10		
11061-7039	8	14092-1039	5	49015-0046	1	92049-7026	1	92170-2042	9		
11061-7070	8	14092-1040	5	49019-0027	10	92055-0892	4	92171-7018	7		
11061-7081	1	14093-0456	11	49040-0769	10	92055-7013	8	92172-0870	1		
11061-7091	8	15004-1016	8	49065-7004	4	92055-7016	8	92172-0870	11		
11061-7092	8	16007-0709	3	49065-7010	4	92055-7024	8	92172-7005	8-1		
11065-7025	9	16025-7010	8	49078-7008	3	92063-7106	8	92172-7006	8-1		
11065-7031	9	16030-7004	8	49089-0866	5	92063-7110	8	92172-7018	6		
11065-7032	9	16031-7003	8	49089-0873	5	92063-7135	8	92172-7033	7		
12004-0746	3	16041-0039	8	49089-0899	5	92063-7136	8	92173-1619	5		
12005-0795	3	16041-0041	8	49089-7067-753	5	92063-7137	8	92173-7003	9		
12009-7004	3	16060-0771	9	49103-7012	7	92063-7138	8	92173-7010	9		
12011-2052	3	16073-0854	11	49103-7018	7	92066-0095	9	92173-7011	9		
12016-0048	3	16073-7011	8	49113-0007	7	92066-0774	4	92192-1448	5		
12032-7001	3	16126-7020	1	49118-7026	3	92066-0881	1	92192-1449	5		
13001-7025	2	16126-7021	8	49120-0843	1	92066-0881	6	92192-1547	10		
13002-7005	2	16146-0796	11	510A5100	6	92070-7004	6	92192-1552	10		
13008-6069	2	16146-0802	11	55020-7016-9H	5	92072-7003	6	92192-1911	9		
13031-0854	2	16154-1075	4	56014-0005	12	92093-0720	8	92192-7086	9		
13070-0758	3	16154-1076	4	56033-7001	12	92093-7002	8	92192-7088	10		
13081-0651	11	16154-1079	4	56071-0216	12	92104-0007	1	92200-0946	3		
130AA06120	9	16169-0007	7	56080-0857	12	92140-7003	4	92200-2035	5		
130AA0635	8-1	16171-0032	7	59031-7017	6	92140-7005	3	92200-2151	3		
130BA0616	10	16184-7023	8	59041-7019	5	92145-1647	7	92200-7040	6		
130BA0616	5	172BA0822	1	59051-7011	4	92145-1653	3	92200-7044	3		
130BA0620	5	21039-0011	11	59066-0740	5	92145-1658	4	92210-1493	11		
130BA0620	6	21040-0005	11	59071-0733	1	92145-1809	4	92210-7027	9		
130BA0635	8-1	21066-0740	6	59076-7013	8	92145-7010	8-1				
130BA0650	1	21080-0011	11	59231-7014	4	92145-7044	7				
130BA0816	9	21163-0755	11	670B2011	1	92150-2182	7				
130BA0840	11	21171-0743	6	92004-7028	8	92152-1689	3				

Kawasaki Heavy Industries, Ltd.

Motorcycle & Engine Company

Part No. 99907-6902-03