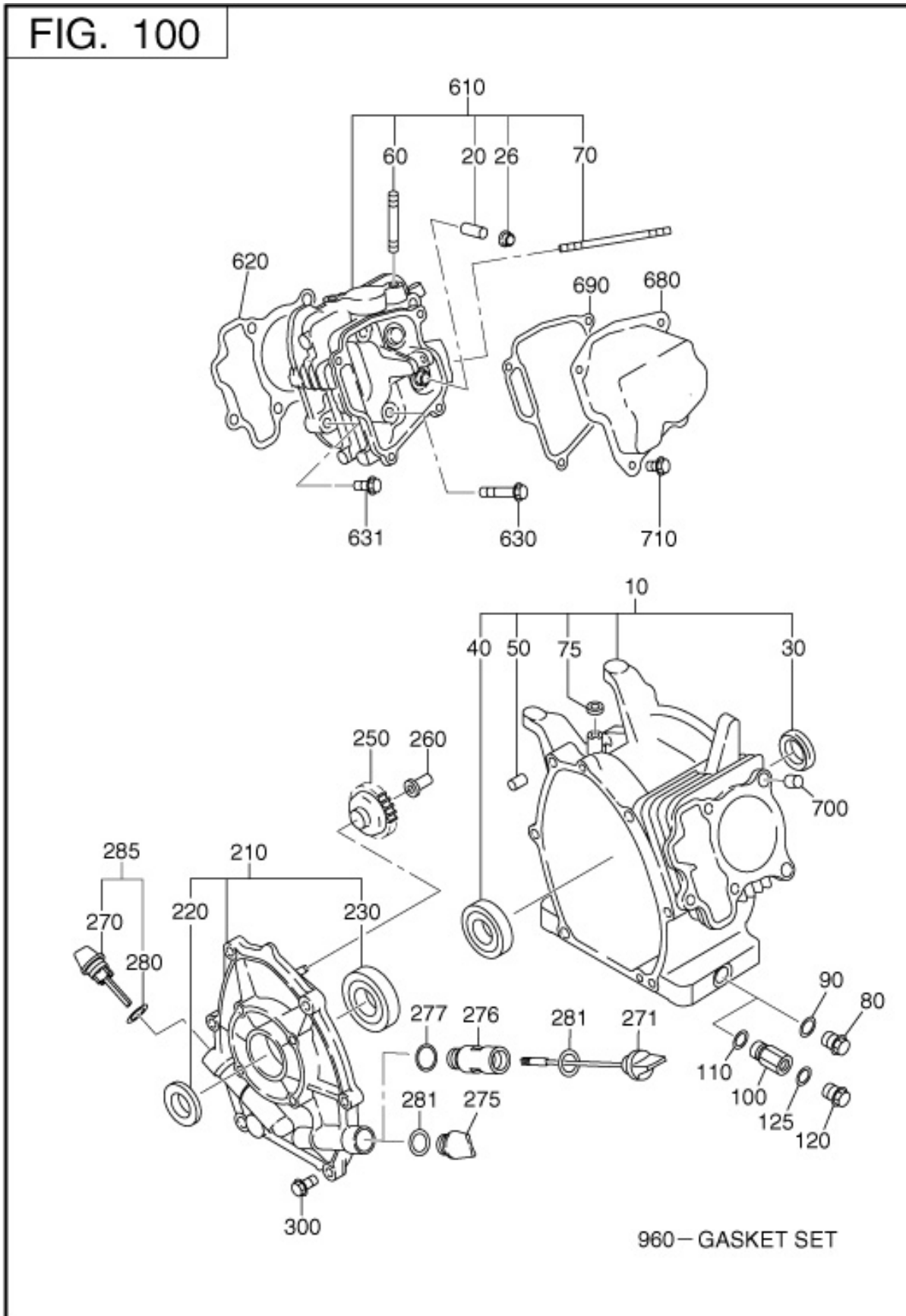
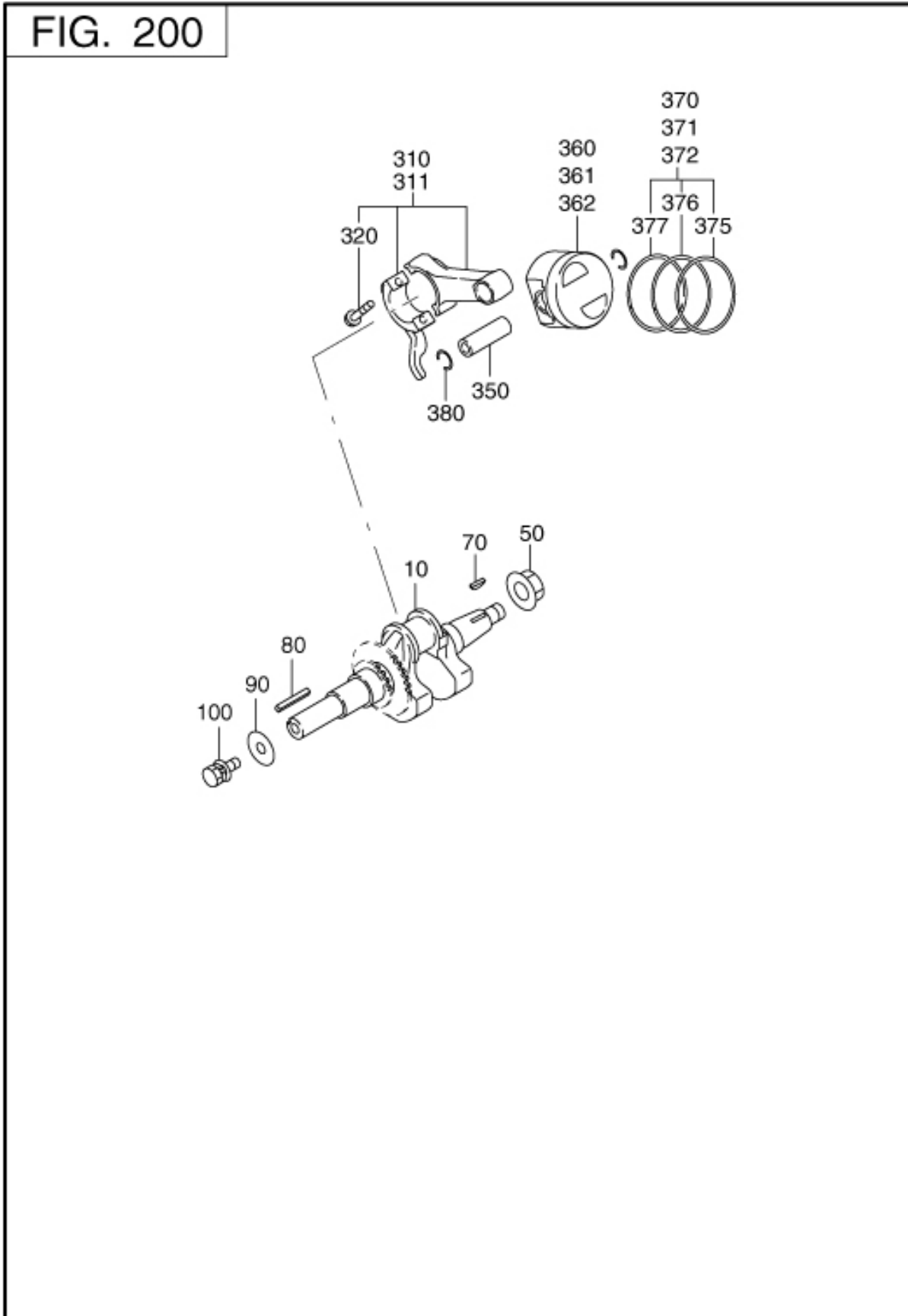


1 CRANK CASE



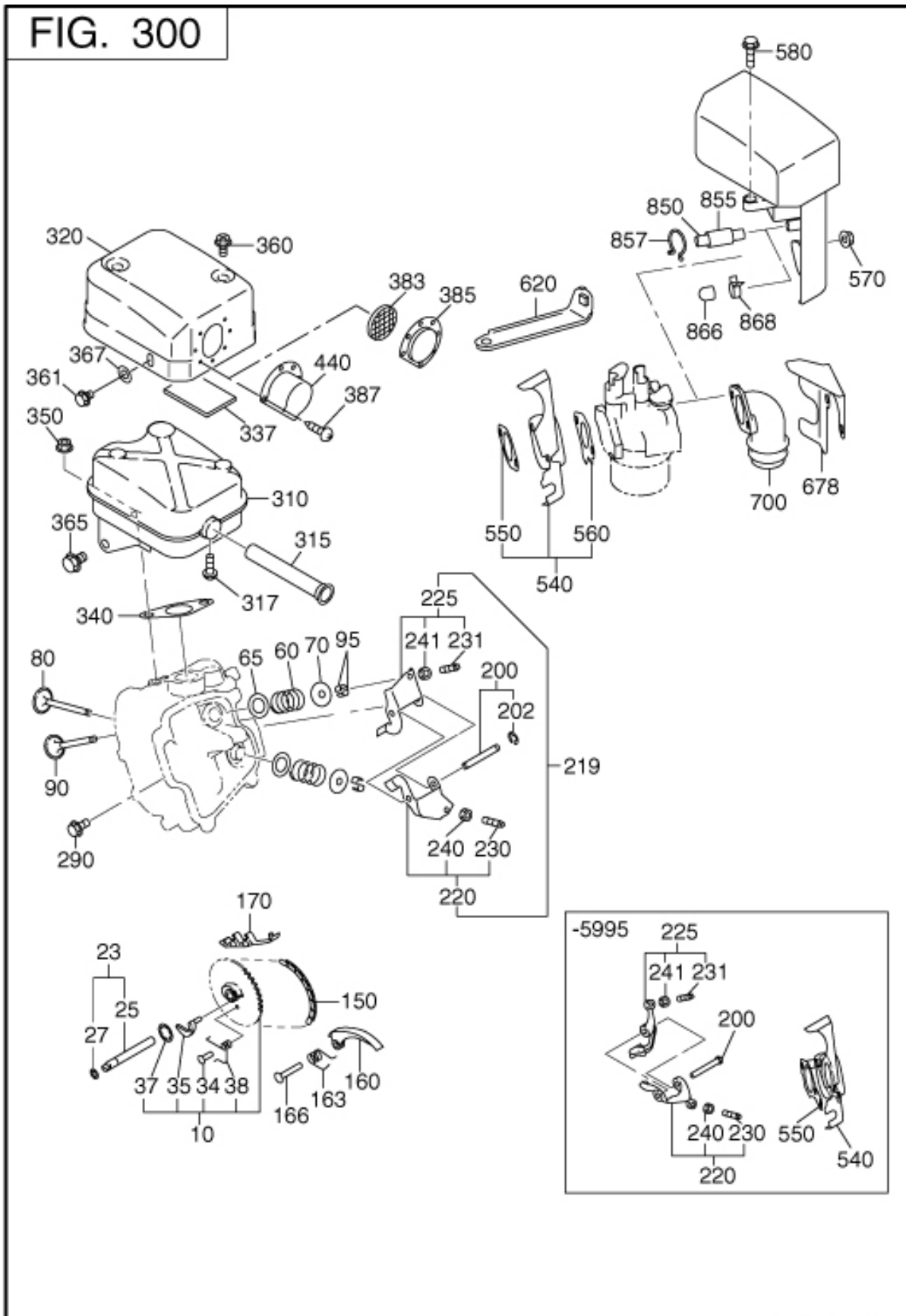
REF.	PART NUMBER	PART NAME	CODE NO.	QTY	REMARKS	INTERCHANGE
10	278-10101-51	CRANK CASE CP	-	1		278-10101-61
20	237-14202-03	VALVE GUIDE	-	2	5. 5DX9. 5DX27L	
26	277-16010-01	STEM SEAL	-	1	5. 5DX9. 5DX15DX7. 8B	
30	044-02502-00	OIL SEAL	-	1	25DX38DX7B	
40	060-02800-21	BALL BEARING	-	1	28DX58DX16B	
50	277-15011-03	PIPE KNOCK	-	2		
60	010-50802-50	STUD	-	2	M8X1. 25X25L	
70	010-50603-51	STUD	-	2	M6X1. 0X98L	
75	044-00600-20	OIL SEAL	-	1		
80	040-11400-30	OIL DRAIN PLUG	-	2		
90	021-11400-20	GASKET 14	-	2		
210	277-11002-31	MAIN BEARING COVER C	-	1		277-11002-41
220	044-02502-10	OIL SEAL	-	1	25DX41. 25DX6B	
230	X60-02501-40	BALL BEARING	-	1	25DX52DX15B	
250	277-45004-K1	GOVERNOR GEAR CP	-	1		
260	277-41902-01	GOVERNOR SLEEVE	-	1		
280	277-63601-08	GASKET	-	2		021-31600-20
285	277-63601-30	OIL GAUGE AY	-	2		
300	001-04083-50	FLANGE BOLT	-	6	M8X1. 25X16DX35L	
610	278-13001-11	CYLINDER HEAD CP	-	1		
620	277-15001-43	GASKET (HEAD)	-	1	T=0. 2	
630	011-00802-40	FLANGE BOLT	-	4	M8X1. 25X16DX68L	
631	011-00803-10	FLANGE BOLT	-	1	M8X1. 25X16DX33L	
680	277-15503-01	ROCKER COVER CP	-	1		
690	277-16001-13	GASKET(ROCKER COVER)	-	1	T=0. 5	
700	277-15011-03	PIPE KNOCK	-	2		
710	011-00600-20	FLANGE BOLT	-	4	M6X1. 0X14DX12L	
960	277-99001-57	GASKET SET	-	1		277-99001-67

2 CRANKSHAFT,PISTON



REF.	PART NUMBER	PART NAME	CODE NO.	QTY	REMARKS	INTERCHANGE
10	278-20901-61	CRANKSHAFT CP	-	1	L=260 DU 19.05DX58.5	
50	018-01400-20	FLANGE NUT	-	1	M14X1.5X28DX12H	
70	032-30300-10	WOODRUFF KEY	-	1	3BX6HX16D	
80	032-00501-20	KEY	-	1	4.8BX4.7HX45L	
310	278-22501-10	CONNECTING ROD AY	-	1	91.3CDX25B 30D-16D	
311	278-22502-00	CONNECTING ROD AY	-	1	0.25 U.S.	
320	277-23001-03	CONNECTING ROD BOLT	-	2	M6X1.0X13DX33L	
350	277-23301-13	PISTON PIN	-	1	16DX11DX48.5L	
360	277-23401-J3	PISTON	-	1	STD (67DX40H)	
361	277-23403-J3	PISTON	-	1	0.25 O.S. (67DX40H)	
362	277-23404-J3	PISTON	-	1	0.50 O.S. (67DX40H)	
370	20A-23531-07	PISTON RING SET	-	1		
371	277-23532-07	PISTON RING SET	-	1	0.25 O.S. OIL 3PIECE	
372	277-23533-07	PISTON RING SET	-	1	0.50 O.S. OIL 3PIECE	
380	056-51600-10	CLIP	-	2	17.1DX1.4D	

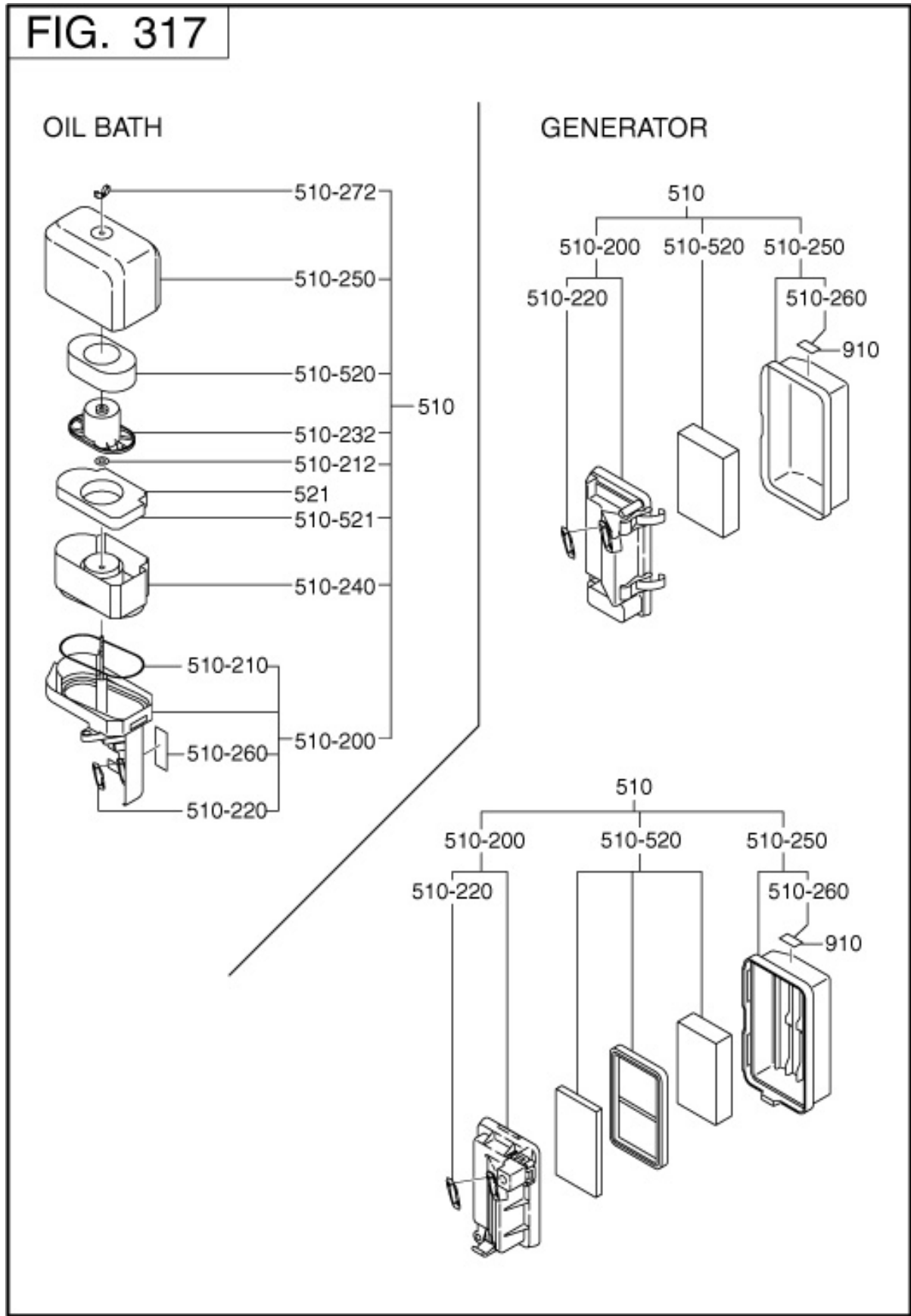
3 INTAKE EXHAUST



REF.	PART NUMBER	PART NAME	CODE NO.	QTY	REMARKS	INTERCHANGE
10	277-31601-31	CAM SHAFT CP	-	1	85DX2. 9B N=40	277-31601-41
23	277-35101-01	PIN(CAM SHAFT) CP	-	1		
27	024-00600-30	O RING	-	1	5. 8DX9. 6D	
34	277-38601-03	PIN(SPRING)	-	1	4DX8DX9L	
35	277-36401-03	RELEASE LEVER	-	1		
37	277-36501-03	CLIP	-	1	13. 8DX20. 3DX0. 4T	
38	277-38702-03	RETURN SPRING	-	1	5. 1DX0. 6DX4. 4L N=7	
60	279-33601-03	VALVE SPRING	-	2	19. 2DX2. 3DX27. 4L	
70	269-33701-03	SPRING RETAINER	-	2		
80	277-33401-H3	INTAKE VALVE	-	1	25. 5DX5. 5DX68. 1L	
90	277-33501-H3	EXHAUST VALVE	-	1	23. 5DX5. 5DX68. 1L	
95	132-10KA0-31	COLLET-VALVE	-	4		
150	278-35602-H1	TIMING CHAIN CP	-	1	92 LINK	
160	277-36911-03	TENTIONER	-	1		20A-36911-03
163	277-37101-03	SPRING(TENTIONER)	-	1	10DX1. 8DX14L N=4. 5	
166	277-36902-03	PIN(TENTIONER)	-	1	6DX13DX34L	
170	277-36913-13	CHAIN GUIDE	-	1		20A-36913-03
200	277-35004-01	PIN(ROCKER) CP	-	1		
202	003-13050-00	CLIP	-	1	5DX11DX0. 6T	
219	277-36001-07	ROCKER ARM AY SET	-	1		
230	014-90500-20	ADJUST SCREW	-	1	M5X0. 5X23L	
231	014-90500-20	ADJUST SCREW	-	1	M5X0. 5X23L	
240	017-00500-30	NUT	-	1	M5X0. 5X4. 1H	
241	017-00500-30	NUT	-	1	M5X0. 5X4. 1H	
290	011-00600-20	FLANGE BOLT	-	1	M6X1. 0X14DX12L	
310	277-30101-J1	MUFFLER CP	9253-	1		
	277-30111-J1	MUFFLER CP	-9252	1		
320	277-34204-21	MUFFLER COVER CP	-	1		277-34204-31
340	277-35201-13	GASKET(MUFFLER)	-	1	T=0. 2 26D 9DX58P	
350	002-38080-00	FLANGE NUT	-	2	M8X1. 25X17DX7. 5H	

REF.	PART NUMBER	PART NAME	CODE NO.	QTY	REMARKS	INTERCHANGE
360	015-20600-90	TAPPING BOLT	-	2	M6X13DX10L	
361	011-00600-10	FLANGE BOLT	-	1	M6X1. 0X14DX8L	
365	011-00803-20	FLANGE BOLT	-9252	1	M8X1. 25X16DX12L	
367	20A-02101-00	WASHER	-	1		
387	015-00400-60	TAPPING SCREW	-	2	M4X6L	
440	277-37001-J1	DEFLECTOR CP	-	1	W/SCREEN	
540	277-32903-J0	INSULATOR AY	-	1		
550	277-35903-J3	GASKET2(INSULATOR)	-	1	T=0.5	20A-35903-03
560	277-35902-J3	GASKET1(INSULATOR)	-	1	T=0.5	20A-35902-03
570	002-38060-00	FLANGE NUT	-	2	M6X1. 0X13DX6H	
580	001-04062-00	FLANGE BOLT	-	1	M6X1. 0X13DX20L	
850	277-32760-08	BREATHER PIPE	-	1	8DX11DX104L	

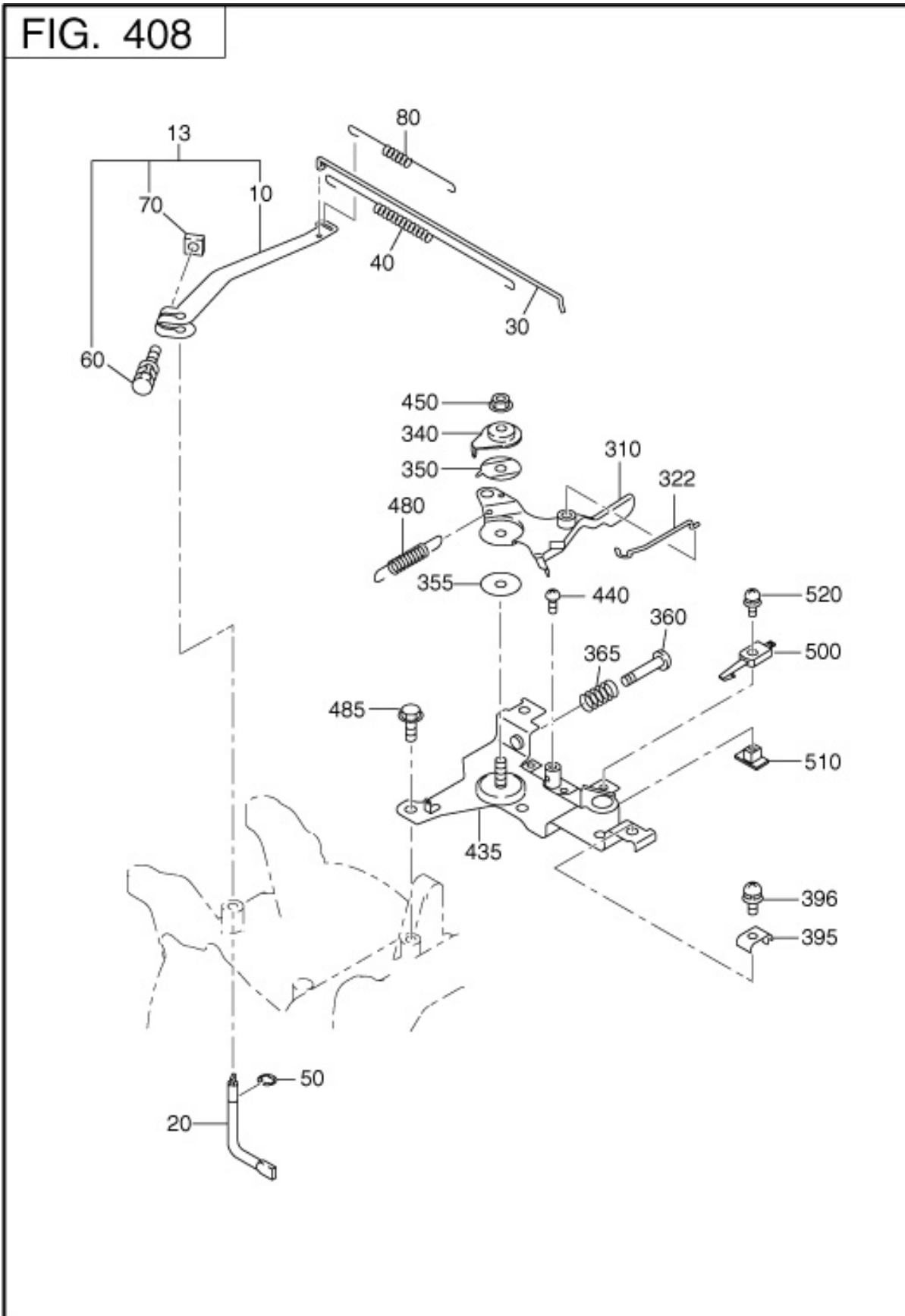
3 INTAKE EXHAUST





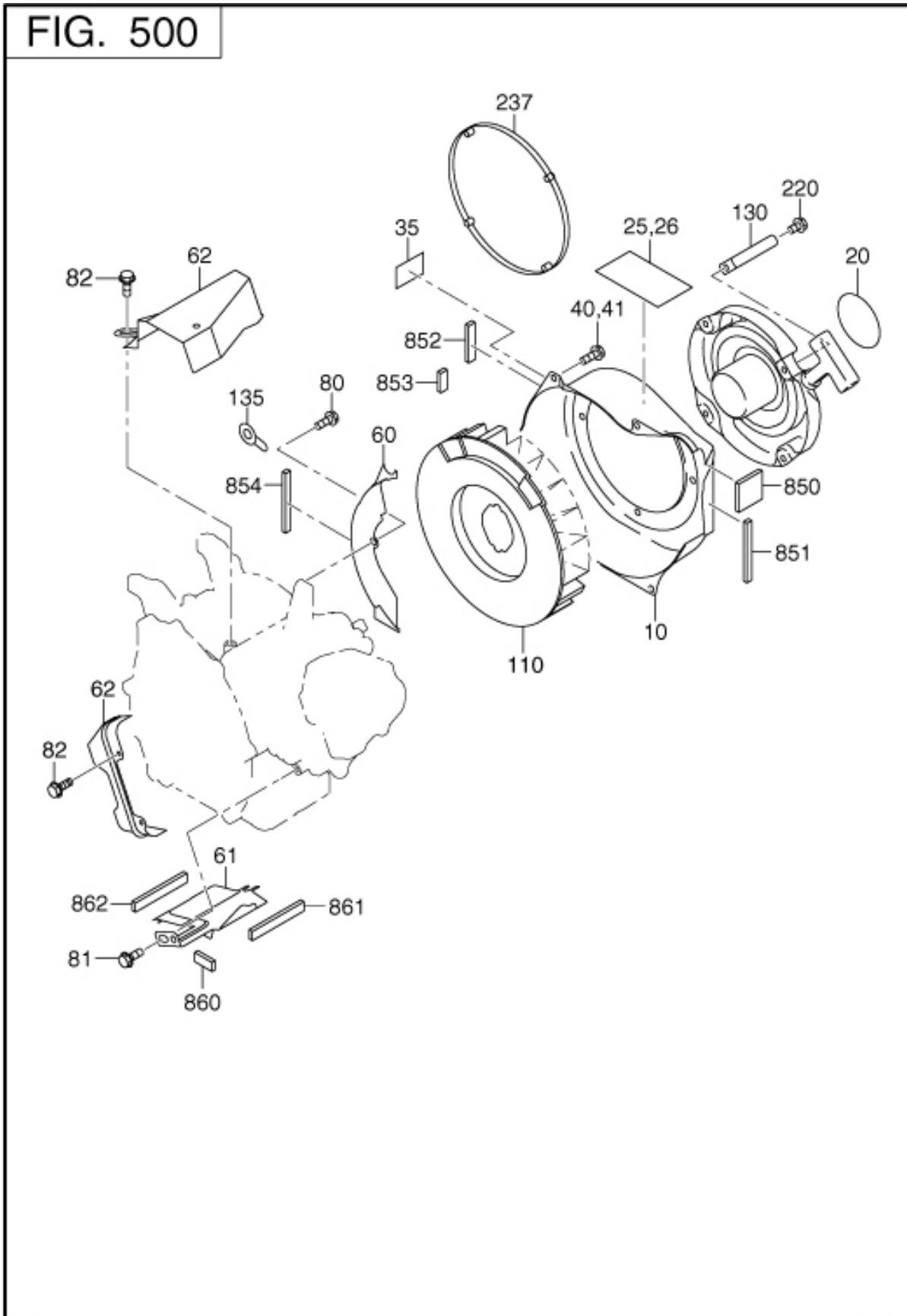
REF.	PART NUMBER	PART NAME	CODE NO.	QTY	REMARKS	INTERCHANGE
510	277-32694-00	AIR CLEANER AY	-	1		
-200	277-32652-08	BASE CP	-	1		
-210	277-32721-08	PACKING	-	1		
-220	277-32604-08	PACKING	-	1		
-232	277-32663-08	ELEMENT FRAME	-	1		
-240	277-32664-08	OILPAN CP	-	1		
-250	277-32642-08	COVER CP	-	1		
-260	277-32667-08	LABEL	-	1		
-272	277-32607-08	WING NUT	-	1		277-32607-18
-520	277-32662-08	ELEMENT	-	1	OIL BATH	

4 GOVERNOR OPERATION



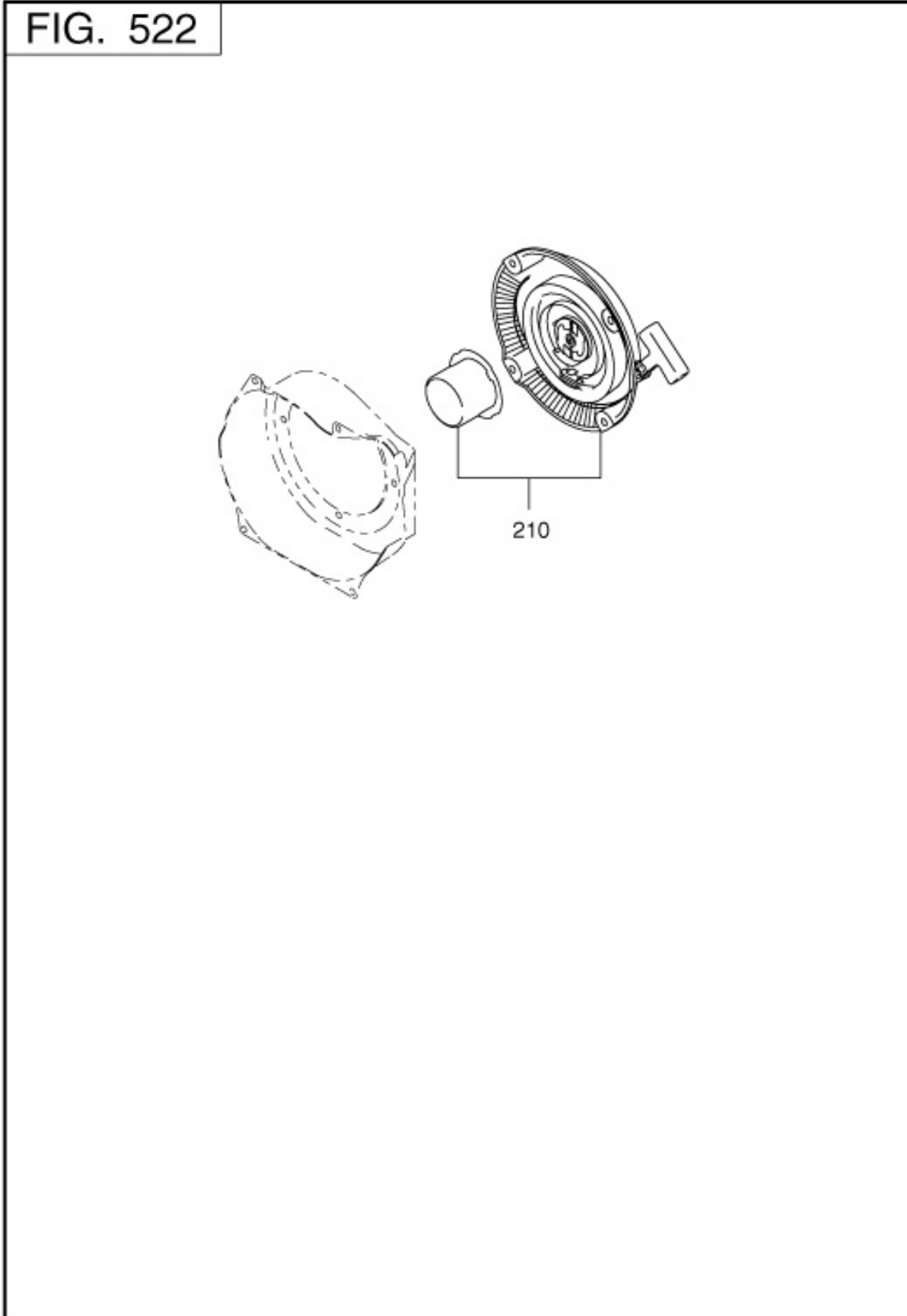
REF.	PART NUMBER	PART NAME	CODE NO.	QTY	REMARKS	INTERCHANGE
13	277-42301-40	GOVERNOR LEVER AY	-	1		
20	277-42201-33	GOVERNOR SHAFT	-	1		
30	277-42701-23	GOVERNOR ROD	-	1		
40	277-42801-23	ROD SPRING	-	1	7DX0. 5DX182L N=16	
50	003-13050-00	CLIP	-	1	5DX11DX0. 6T	
60	001-14062-50	BOLT AND WASHER AY	-	1	M6X1. 0X25L W/W, SW	
70	018-60600-20	NUT	-	1	M6X1. 0X4. 9H SQUARE	
80	277-42503-23	GOVERNOR SPRING	-	1		
310	277-43390-01	SPEED CONT.LEVER CP	-	1		277-43390-11
322	277-43701-01	LINK ROD CP	-	1		
340	277-43502-03	STOP PLATE	-	1		
350	277-44501-03	WASHER	-	1	T=0. 4	
355	021-70600-70	FRICTION WASHER	-	1	6. 5DX24DX0. 8T NYLON	
360	004-31062-50	SCREW,PANHEAD	-	1	M6X1. 0X25L	
365	237-45004-23	SPRING (ADJUST)	-	1	6. 9DX0. 9DX20L N=7	
395	277-43902-03	CLAMP	-	1		
396	013-10500-30	SCREW AND WASHER AY	-	1	M5X0. 8X20L W/W, SW	
435	277-46090-01	SPEED CONT.BRKT CP	-	1		
440	004-31040-80	SCREW	-	1	M4X0. 7X8L	
450	002-35060-00	SELF LOCK NUT	-	1	M6X1. 0X6. 8H	
480	277-45103-03	RETURN SPRING	-	1	7DX0. 7DX28L N=15	
485	011-00600-20	FLANGE BOLT	-	2	M6X1. 0X14DX12L	
500	226-72706-11	STOP SWITCH	-	1		
510	277-49001-11	PLATE NUT(STOP) CP	-	1		
520	004-36041-20	SCREW AND WASHER AY	-	1	M4X0. 7X12L W/SW	

5 COOLING STARTING



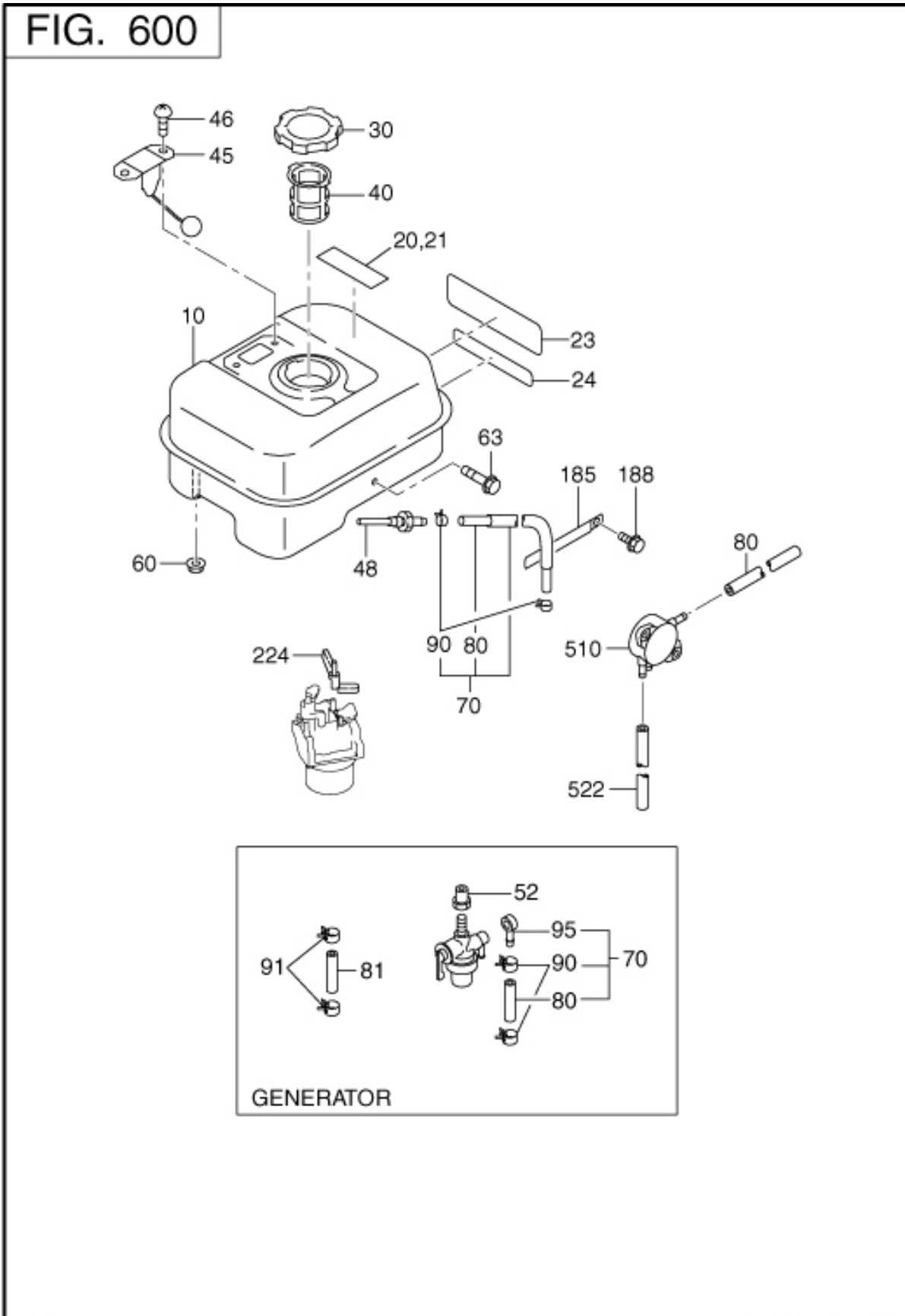
REF.	PART NUMBER	PART NAME	CODE NO.	QTY	REMARKS	INTERCHANGE
10	278-51202-01	BLOWER HOUSING CP	-	1	BLACK	
20	073-20054-70	LABEL(TRADE MARK)	-	1	60D	
40	011-00600-30	FLANGE BOLT	-	4	M6X1. 0X14DX14L	
60	20A-52711-01	BAFFLE 1(CASE) CP	-	1		
61	277-52702-03	BAFFLE 2(HEAD)	-	1		
80	001-04061-60	FLANGE BOLT	-	1	M6X1. 0X13DX16L	
81	011-00600-20	FLANGE BOLT	-	1	M6X1. 0X14DX12L	
110	278-54111-H3	COOLING BLOWER	-	1		
220	011-00600-30	FLANGE BOLT	-	4	M6X1. 0X14DX14L	

5 COOLING STARTING



REF.	PART NUMBER	PART NAME	CODE NO.	QTY	REMARKS	INTERCHANGE
210	21D-50211-00	RECOIL STARTER AY	-	1	ASSY ONLY	

6 FUEL LUBRICANT

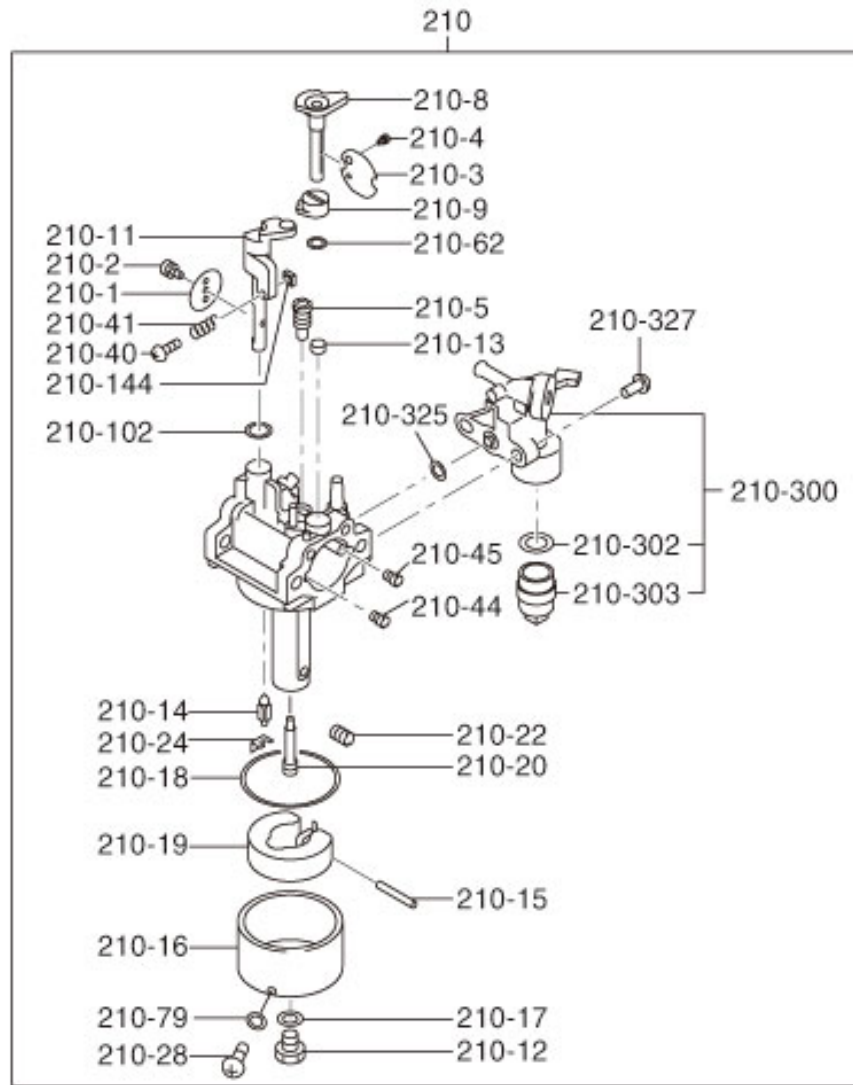




REF.	PART NUMBER	PART NAME	CODE NO.	QTY	REMARKS	INTERCHANGE
10	277-60102-11	FUEL TANK CP	-	1	3. 6L BLACK	
20	073-20054-90	LABEL(WARNING)	-	1	42X104	
30	043-04400-50	FUEL TANK CAP CP	-	1	43DX68DX14H BLACK	
40	X64-13600-10	FUEL FILTER	-	1		
48	X50-51200-20	UNION	-	1		
60	002-38060-00	FLANGE NUT	-	2	M6X1. 0X13DX6H	
63	011-00601-30	FLANGE BOLT	-	1	M6X1. 0X14DX25L	
70	278-62601-11	FUEL PIPE CP	-	1		
80	X85-10615-71	RUBBER PIPE	-	1	6. 4DX12. 7DX155L	
90	X56-11100-60	HOSE CLAMP	-	2	11. 5DX8BX0. 7T	
224	277-43801-01	CHOKE LEVER CP	-	1		

6 FUEL LUBRICANT

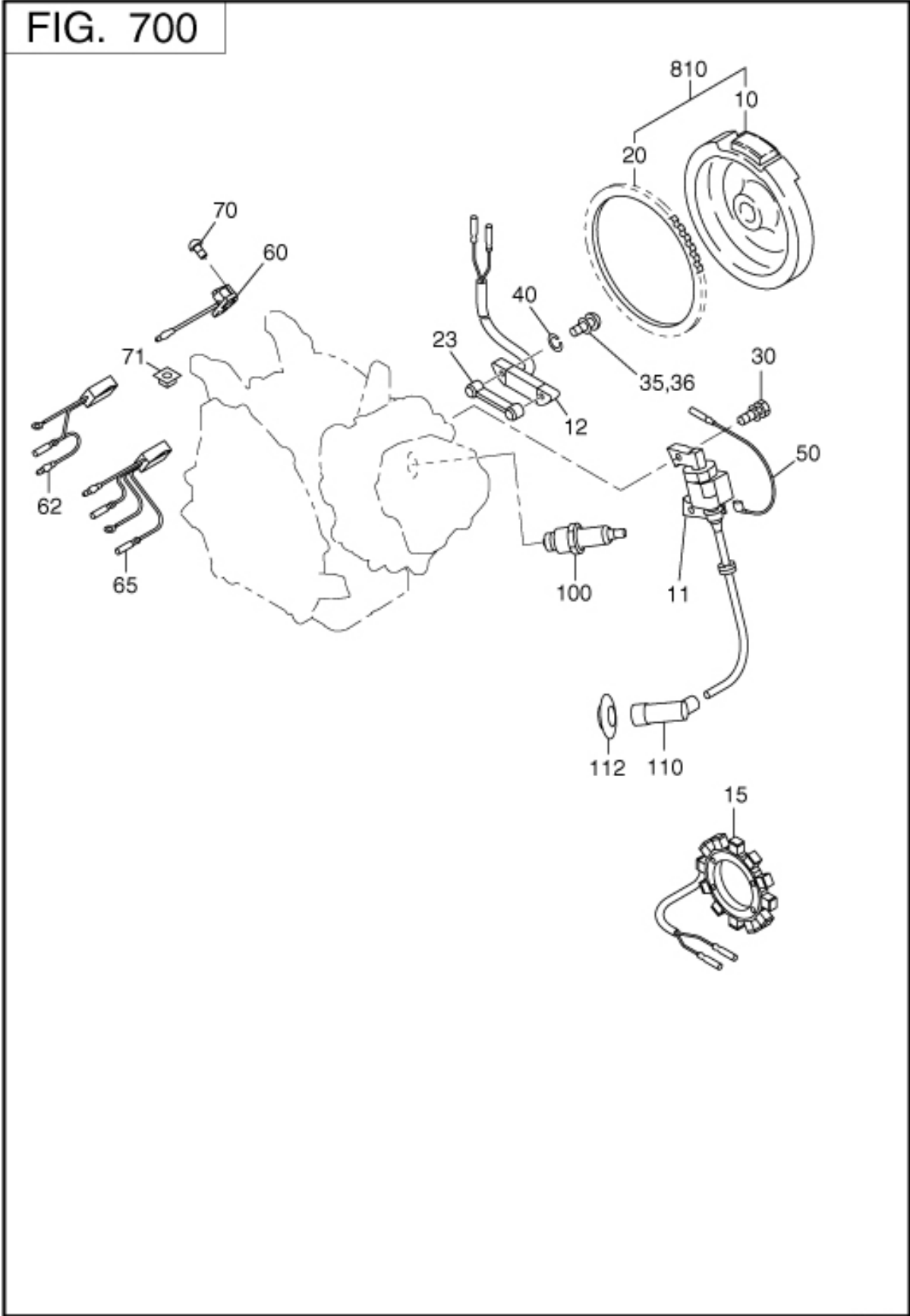
FIG. 640



REF.	PART NUMBER	PART NAME	CODE NO.	QTY	REMARKS	INTERCHANGE
210	278-62306-30	CARBURETOR AY	-	1		
- 1	277-62535-08	THROTTLE VALVE	-	1	#160	
- 2	209-62351-08	SCREW	-	1		
- 3	277-62525-08	CHOKE VALVE	-	1		
- 5	278-62420-08	PILOT JET	-	1	#41.3	
- 8	277-62520-08	CHOKE LEVER	-	1		
- 11	277-62531-18	THROTTLE SHAFT-A	-	1		
- 12	227-62451-08	BOLT	-	1		
- 14	277-62500-08	NEEDLE	-	1		
- 15	277-62515-08	PIN	-	1		
- 16	277-62506-08	FLOAT BODY AY	-	1		
- 17	214-62450-08	PACKING	-	1		
- 18	214-62540-08	CHAMBER PACKING	-	1		
- 19	226-62506-08	FLOAT	-	1		
- 20	278-62440-08	MAIN NOZZLE	-	1		
- 22	267-62408-08	MAIN JET	-	1	#88.8	
- 24	226-62701-18	CLIP	-	1		
- 28	277-62360-08	SCREW	-	1		
- 40	106-62556-08	SCREW	-	1		
- 41	283-62357-08	SPRING(CO)	-	1		
- 44	106-62411-08	AIR JET	-	1		
- 45	106-62410-08	AIR JET(PILOT)	-	1		
- 62	236-62680-08	SEAL	-	1		
- 79	236-62541-08	PACKING	-	1		
-102	246-62390-08	SEAL	-	1		
-144	277-62553-08	NUT	-	1		
-300	279-62103-20	COCK BODY-A	-	1		
-302	277-62110-18	PACKING	-	1		
-303	277-62100-18	CUP	-	1		
-325	277-62552-08	O-RING	-	1		

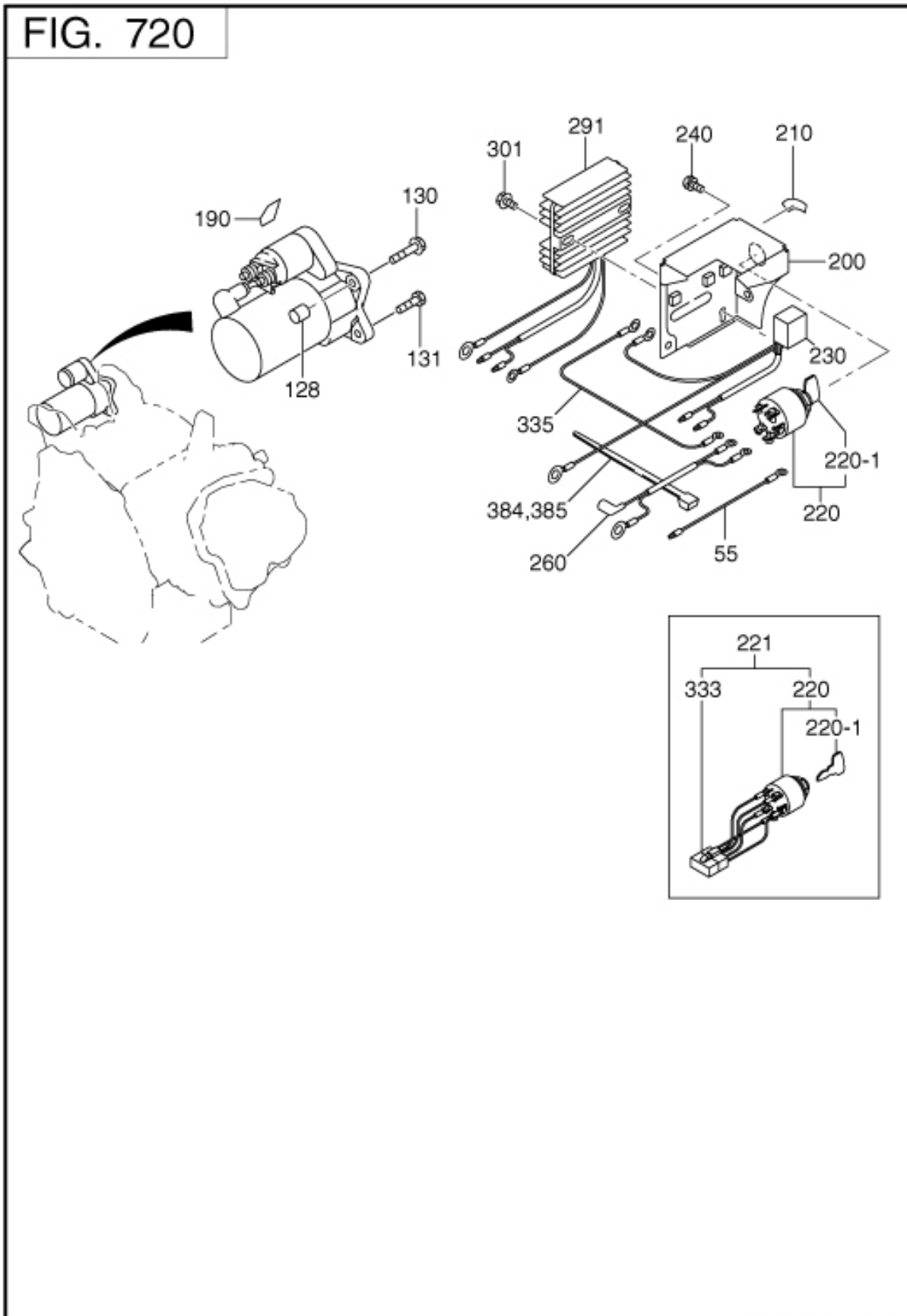
REF.	PART NUMBER	PART NAME	CODE NO.	QTY	REMARKS	INTERCHANGE
-327	165-62377-08	SCREW	-	2		

7 ELECTRIC DEVICE



REF.	PART NUMBER	PART NAME	CODE NO.	QTY	REMARKS	INTERCHANGE
10	20A-79231-01	FLYWHEEL CP	-	1		
11	20A-79431-01	IGNITION COIL CP	-	1		
30	001-04062-00	FLANGE BOLT	9273-	2	M6X1. 0X13DX20L	
	001-14062-50	BOLT AND WASHER AY	-9272	2	M6X1. 0X25L W/W, SW	
100	X65-01430-50	SPARK PLUG	-	1	TORCH E6RC	
110	065-50001-10	SPARK PLUG CAP	-	1		

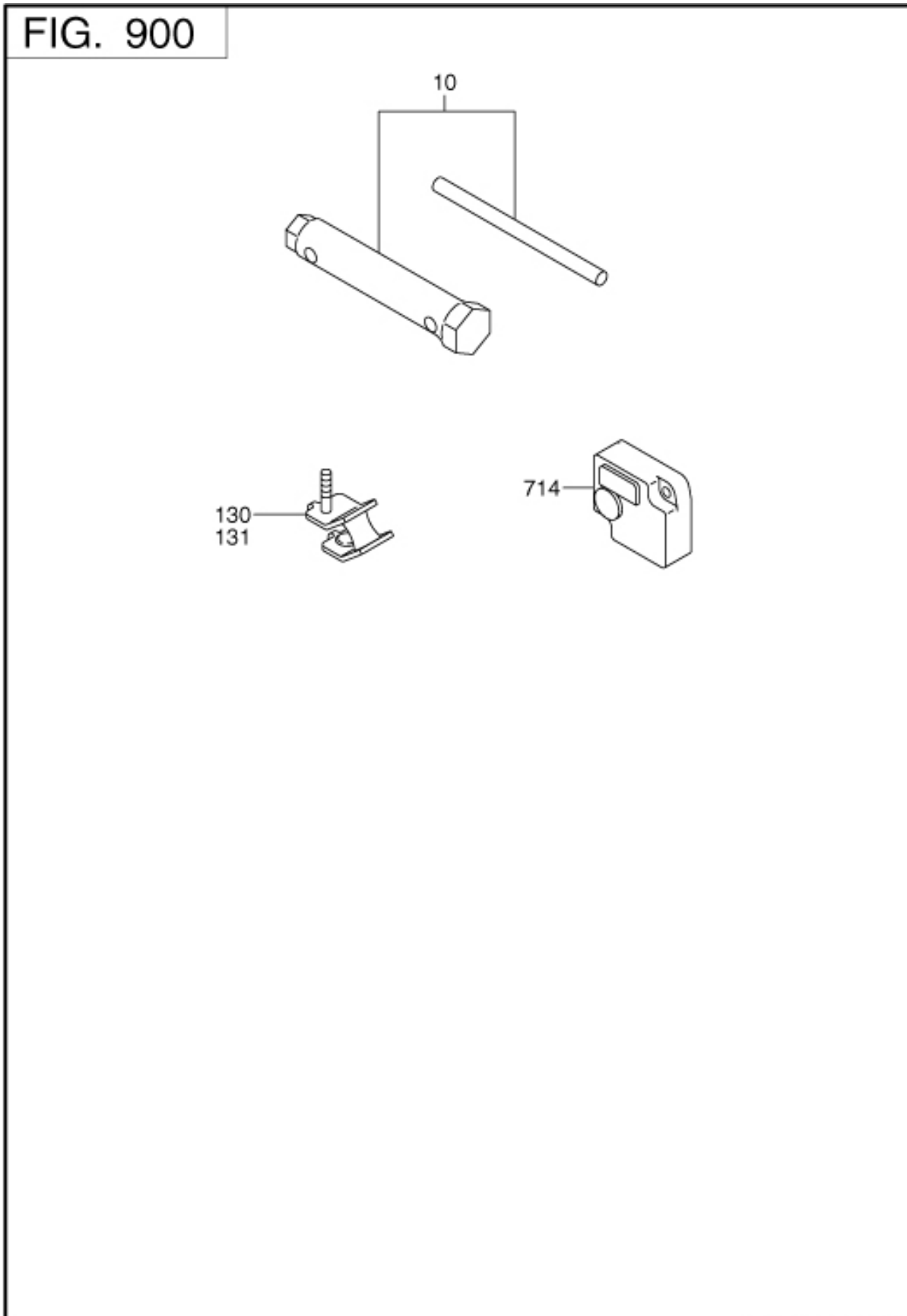
7 ELECTRIC DEVICE



REF.	PART NUMBER	PART NAME	CODE NO.	QTY	REMARKS	INTERCHANGE
260	277-73106-21	WIRE 6 CP	-	1		



9 ACCESSORIES LABEL



REF.	PART NUMBER	PART NAME	CODE NO.	QTY	REMARKS	INTERCHANGE
10	277-90301-J0	ACCESSORY TOOL KIT	-	1		